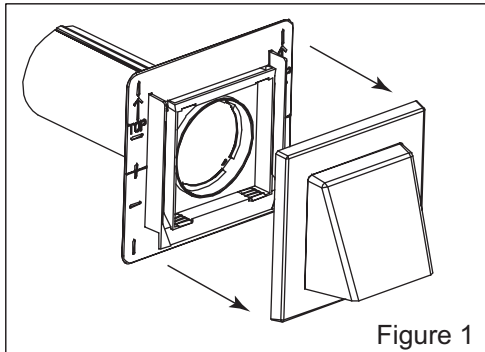


Fiber Cement Hooded Exterior Dryer Vent Installation Instructions

-To be installed prior to siding-

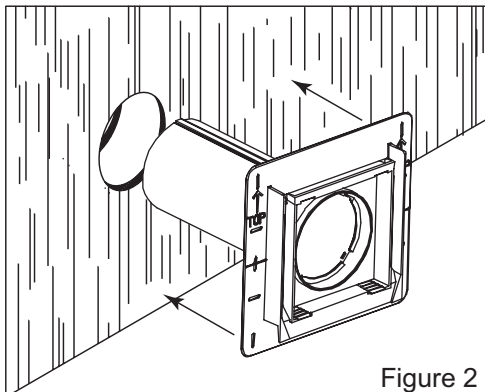
Step 1

Remove the trim ring from the Hooded Dryer Vent Assembly. See Figure 1 below.



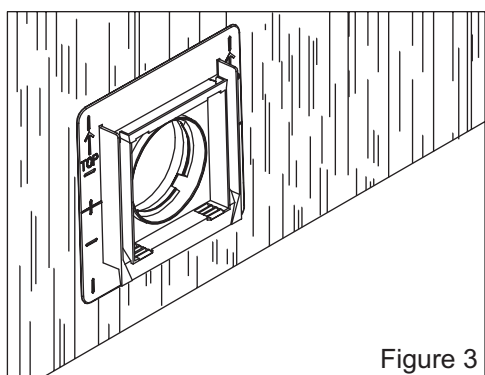
Step 2

Place tape or sealant between the Hooded Dryer Vent and house. Align the Hooded Dryer Tube with the available opening (Suggested hole size: 4 1/8" diameter.) See Figure 2 below.



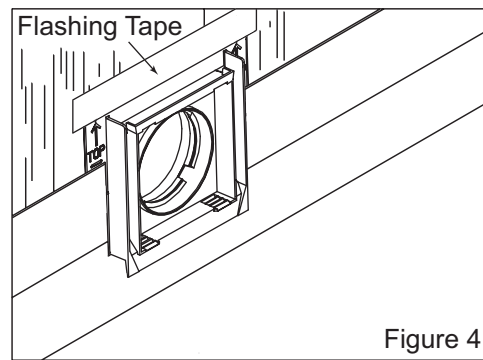
Step 3

Attach the Hooded Dryer Vent in the desired location with the arrows on the flange of the part pointing up. Use an 8d nail or equivalent (to include a #8 x 1" long or #8 x 1 1/2" long Zinc Coated Screw) with a minimum of four attachments. See Figure 3 below.



Step 4

The top flange of the Hooded Mount should be shingled underneath the building paper. If the building paper is already installed, slice the paper so that the top flange of the Mount can be slid up underneath the paper and seal the cut in the paper with a strip of flashing tape. Cut the siding around the Mount. Install the siding according to the manufacturer's installation instructions. Caulk all gaps as needed per the siding manufacturer's specifications. See Figure 4 below.



Step 5

Lock on the finishing trim ring. See Figures 5A and 5B below.

