

VEVOR[®]

TOUGH TOOLS, HALF PRICE

Technical Support and E-Warranty Certificate www.vevor.com/support

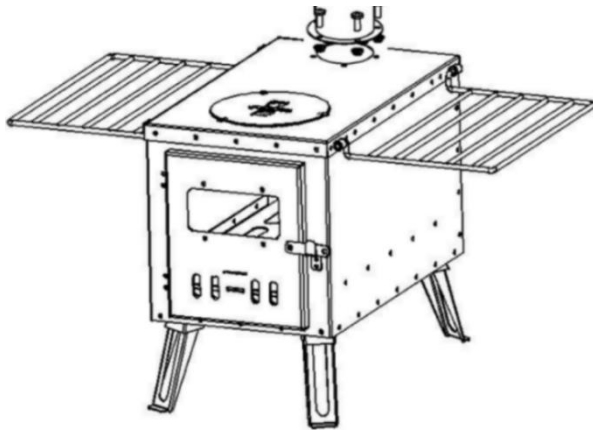
WOOD STOVE USER MANUAL

Model: WMCPS03

We continue to be committed to provide you tools with competitive price.

"Save Half", "Half Price" or any other similar expressions used by us only represents an estimate of savings you might benefit from buying certain tools with us compared to the major top brands and does not necessarily mean to cover all categories of tools offered by us. You are kindly reminded to verify carefully when you are placing an order with us if you are actually saving half in comparison with the top major brands.

Model: WMCPS03



NEED HELP? CONTACT US!

Have product questions? Need technical support? Please feel free to contact us:

 CustomerService@vevor.com

This is the original instruction, please read all manual instructions carefully before operating. VEVOR reserves a clear interpretation of our user manual. The appearance of the product shall be subject to the product you received. Please forgive us that we won't inform you again if there are any technology or software updates on our product.



Safety & Warning

- Read and understand this entire manual before assembling, installing, operating, or servicing this product. Failure to follow these warnings and instructions can cause death, personal injury or damage to valuable property.
- While assembling this product, keep work area clean and well lighted, and keep spectators and children out of the work area.
- When using the stove, please be sure to check whether it is deformed or damaged. Especially if there is a crack or breakage on the glass, never use it.
- When the stove is used once, the color of the stainless steel grid will change. This has nothing to do with badness. It is recommended to burn at high temperature for 2 hours after the first use.
- When setting the stove, please set it in a flat place.
- When assembling the product, the hand clips and sharp parts may be disassembled up and down. Please be sure to wear gloves for assembly.
- Please pay attention to the use of stoves in tents or extended spaces. Please keep the air well ventilated.
- Carbon monoxide is a colorless and transparent gas that must be discharged safely to avoid accumulation in a closed environment.
- It is best to place a carbon monoxide detector in the space of the stove. Never let children and pets near the stove, it will be very hot.
- Try to install safety protection devices, and be careful not to let children touch their hands.
- When using the stove, please put it on the fire-resistant floor to prevent the tent floor from catching fire. Please add fuel carefully when opening the fuel injection port.
- Every time you operate the parts of the high-temperature furnace, please use heat-resistant gloves to avoid burns.
- Fuel, propane, fuel nozzle, paint, thinner and combustible materials should be stored away from the stove and ventilation pipes. This kind of combustible material is recommended to be 6 feet (about 180 cm) away

from the furnace.

- The furnace may be overturned under special circumstances such as collision, earthquake and fuel input. Please pay attention to the stove carefully to prevent it from tipping over!
- Don't touch the heater with your hands when using it, it will cause serious burns.
- Please wait for the stove to cool sufficiently before storing it to prevent burns. Please pay attention. Pots, vermicelli, pots and other objects heated on the stove should be prevented from being stable and falling off! Don't use the fuel tank to make a fire. Fuel such as fuel tank and ignition device containing combustible gas may explode in the furnace, causing serious injury, injury, death and fire.
- During the use of the furnace, it needs to be confirmed continuously. Don't leave the burning furnace unattended for a long time.
- When storing the stove, carefully observe the surroundings to prevent Mars from igniting the surrounding environment
- It's better to have a fire extinguisher of suitable size nearby. To decide the size, please discuss it with the local fire department.
- Pay attention to the choice of fuel. Or paint-treated wood will discharge harmful toxins when it burns. Please pay attention when there are no toxic chemicals in the fuel. This product should be installed with chimney and used. Please keep the fuel injection port closed except for injection.
- When installing the chimney, please pay attention to whether the abnormal air flow at least 3m in the sky is suitable for the surrounding environment. After use, please wipe off the flow, dust, food and other leaves and store them after wiping off.
- In the manufacturing process, small scratches in the assembly process have no style in the use of products, so they have nothing to do with product quality.

Specifications

Model Series	WMCP503
--------------	---------

Fire Box Size(mm)	415×250×260
Diameter of Exhaust Pipe (in)	2.4
Length of Exhaust Pipe (ft)	6.8
Gross Weight (kg)	10.9
MEAS(mm)	485×315×355

Figure of the Product

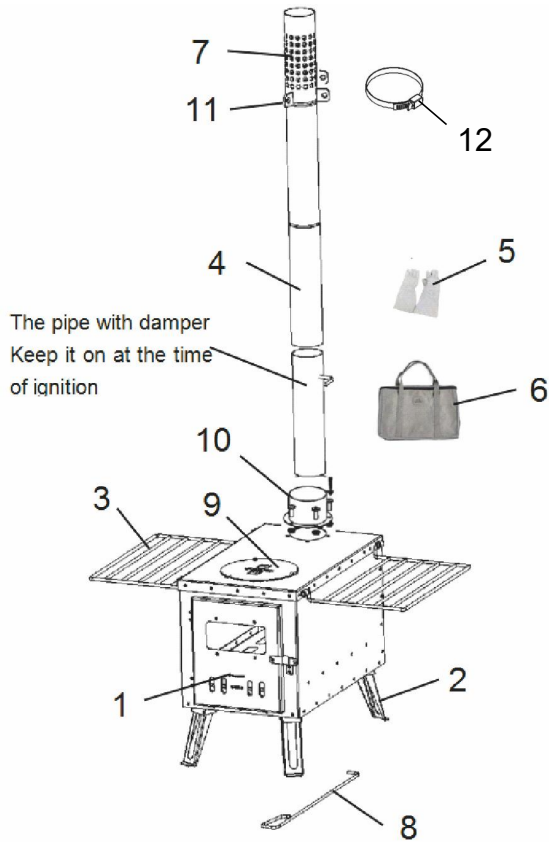


Figure 1

Part	Description	Qty
1	Stove	1
2	Leg	4
3	Side grill	2
4	Stove exhaust pipe	8
5	Glove	2
6	Carry bag	1
7	Chimney cap	1
8	Fire hook	1
9	Lid	1
10	Chimney connecting seat	1
11	Rope fastening ring	1
12	Pipe Holder	7

Instructions

- A. Please be familiar with the contents of this manual before setting the stove.
- B. Take out all parts of the furnace for confirmation.
- C. After confirming whether the ground on which the stove is set and flat.
- D. Expand the support legs at the lower end of the furnace body.
- E. Insert and install the chimney connecting seat & the first chimney with conditioner (the pipe with damper). Please make sure that the internal valve plate is open during ignition. If the flame is out or there is heavy smoke spilling out, please check that the internal valve plate is open.
- F. Assemble the remaining chimneys. Fasten the pipe holder at the junction of the two chimneys.
- G. Install spark-proof chimney(chimney cap) at the top.
- H. In order to prevent the chimney from shaking, a drawstring can be tied to the ring of the top chimney to fix it.
- I. Install baking pans(grill) on both sides to the left and right sides of the stove.
- J. The air conditioner at the wood injection port can adjust the firepower.

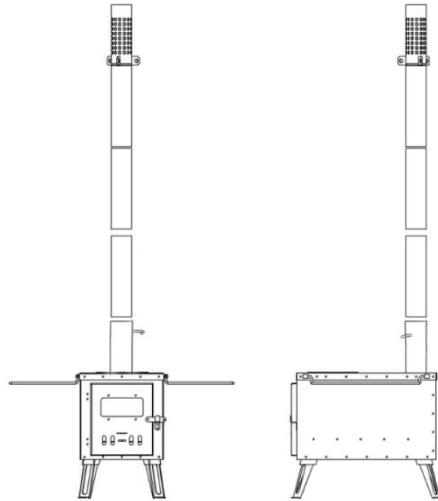


Figure 2

Address: Baoshanqu Shuangchenglu 803long 11hao 1602A-1609shi
Shanghai

Imported to AUS: SIHAO PTY LTD, 1 ROKEVA STREETEASTWOOD
NSW 2122 Australia

Imported to USA: VEVOR STORE INC, 9448 RINCHMOND PL #E
RANCHO CUCAMONGA, California, 91730 United States of America

UK	REP
-----------	------------

Pooledas Group Ltd
Unit 5 Albert Edward House, The Pavilions
Preston, United Kingdom

EC	REP
-----------	------------

SHUNSHUN GmbH
Römeräcker 9 Z2021, 76351
Linkenheim-Hochstetten, Germany

Made In China

VEVOR[®]

TOUGH TOOLS, HALF PRICE

Support and E-Warranty Certificate

<https://www.vevor.com/support>

Made In China