

## PR38-Three Bar Pot Rack

Thank you for choosing Enclume!

Enclume racks are the ultimate quality, design, strength and function.

**WARNING: READ ALL OF THE INSTRUCTIONS BEFORE ASSEMBLING AND USING YOUR RACK**

If you need help, please call 1-877-ENCLUME  
**Enclume Design Products**  
24 Colwell Street, Port Hadlock, WA 98339  
Phone 360-385-6100 • Fax 360-385-6156  
[www.enclume.com](http://www.enclume.com)

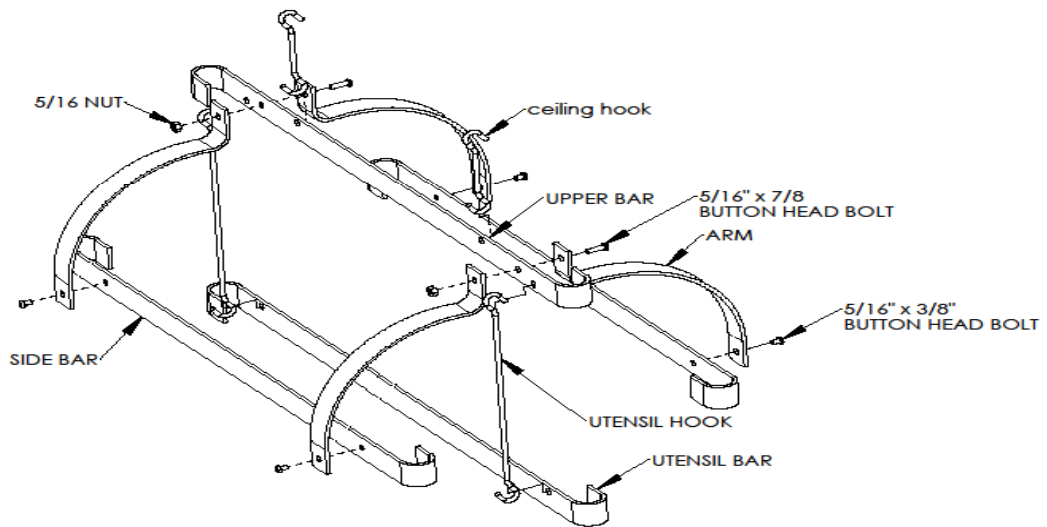
Enclosed you will find everything needed for the assembly and use of your storage rack. Two people make assembly and installation easier. The parts and hardware included are:

**Hardware included:**

- 4 - 5/16" x 3/8" Button Head Screws
- 2 - 5/16" x 7/8" Button Head Screws
- 2 - 5/16" Nuts
- 1 - Two-point Toggler Mounting Set
- 1 - 3/16" Allen Wrench

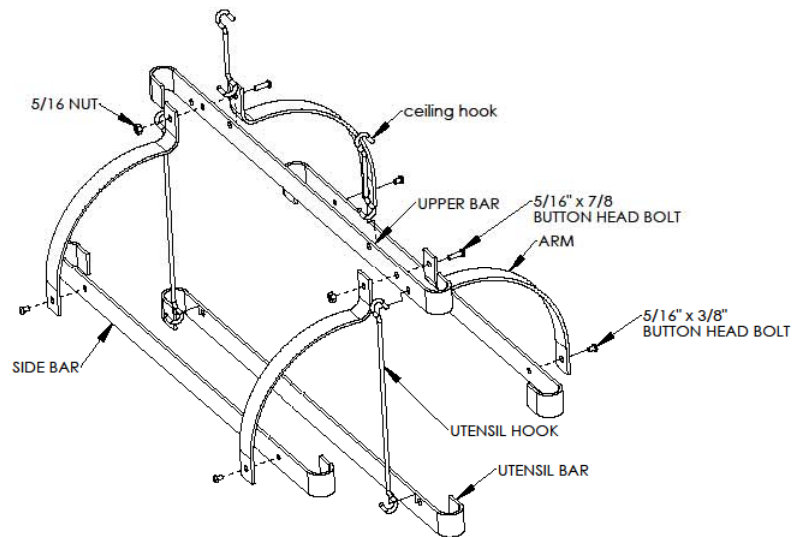
**Components included:**

- 1 - Upper Bar (six holes)
- 1 - Utensil Bar (two holes each)
- 2 - Side Bars (two threaded holes each)
- 4 - Arms
- 2 - 6" ceiling Hooks
- 2 - 15" Round utensil Hooks
- 2 - Ceiling Screw Hooks
- 12 - Straight Pot Hooks (EPHS)
- 6 - Small Straight Hooks (DRPHS)



See REVERSE SIDE for ASSEMBLY and INSTALLATION INSTRUCTIONS

## ASSEMBLY and INSTALLATION INSTRUCTIONS



### Rack Assembly

1. Place the rack parts on a flat surface. Begin by attaching the four arms to the two lower rack bars (two threaded holes in each).
2. Using the Allen wrench insert the 5/16" x 3/8" button head screws through the holes in the arms and into the threaded holes in the side bars. Repeat this process four times to connect all the arms to the side bars. Do not tighten screws fully yet.
3. Next attach the upper bar to the four arms. Place the upper bar between the tops of one set of arms, line-up the holes at the top of the set of arms with one of the outside holes in the upper bar. Insert one of the two 5/16" x 7/8" button head screws into an arm hole, through the upper bar and through the other arm in the pair. Thread a 5/16" nut on the protruding button head screw and lightly tighten. Repeat this process to secure the other two arms to the upper bar.
4. Now place the rack on a flat surface to level and set to straight, then tighten all screws and nuts to final positions.
5. We recommend that you anchor your rack into the solid wood of ceiling joists or beams. Carefully measure the area where the rack is to be hung and install the ceiling screw hooks directly into the wood joists. If it is not convenient to hang your rack directly into wood joists you may use the included DRYWALL anchors enclosed with your rack. See Toggler® brand manufacturer recommendations for weight limits included in the instructions in the toggler kit.
6. Finally hang the 6" Ceiling Hooks from the screw hooks and hang your rack from the inside holes in the upper bar. Hang the 15" Utensil Hooks on the Lower outside holes on the upper and attaché the lower bar. Lastly hang the dozen pot hooks around the two side bars, and the six utensil hooks on the lower utensil bar.



It is important that your rack is assembled correctly. If the unit is assembled or used incorrectly, it could become unstable and collapse, possibly causing injury.

**Limited Warranty:** This product is warranted to be free of material defects for a period of five years from the date of purchase. Your exclusive remedy is the repair or replacement of the defective product and this remedy is subject to the following conditions: (1) receipt of a notice of defect by Enclume within the warranty period, and (2) your return of the defective product to Enclume Design Products, 24 Colwell St., Port Hadlock, WA 98339, *postage prepaid* within 20 days following the issuance of a return authorization number (which may be obtained by telephoning Enclume at the top of these instructions) to you by Enclume. There are no other warranties, expressed or implied. **THERE ARE NO WARRANTIES OF MERCHANTABILITY OR FITNESS FOR A PARTICULAR PURPOSE. ENCLUME SPECIFICALLY DISCLAIMS ANY AND ALL INCIDENTAL OR CONSEQUENTIAL DAMAGES ARISING OUT OF THE PURCHASE OR USE OF ENCLUME'S PRODUCTS.**