

QUESTIONS, PROBLEMS, OR MISSING PARTS? If any parts are missing, damaged, or if you have any questions or need additional instructions, DO NOT RETURN THIS PRODUCT TO THE RETAILER, rather visit us at www.vivohome.com to complete the replacement parts submission form and we'll help you get the product working.

IMPORTANT SAFETY INSTRUCTIONS

1. Read, understand and follow ALL instructions before using this product.
2. Do not exceed the overall maximum load capacity of 1100 lbs (433 kg). The weight rating is based on an evenly distributed load.
3. Distribute the load evenly over the surface of the bed.
4. Do not load items on the top edges of the panels. Remove panels before loading oversized items.
5. Do not allow children to use this cart without supervision. This cart is not a toy.
6. Do not use this cart to transport passengers.
7. This cart is not intended for highway use.
8. Do not exceed 5 mph.
9. If any parts become damaged, broken, or misplaced, do not use the cart until replacement parts have been obtained.
10. Do not use the cart on surfaces or for transporting objects that can cause damage to the pneumatic tires or tubes.
DO NOT INFLATE THE TIRES TO MORE THAN 30 PSI (2.07 BAR).
11. It is recommended that the cart be inspected for damage before each use.
12. KEEP THESE INSTRUCTIONS FOR FURTHER REFERENCES.

NOTE:

To continuously improve its products, VIVOHOME reserves the right to modify this information without prior notification. Please contact customer service via support@vivo-home.com with any questions, comments, or concerns. Thank you for using VIVOHOME products in your home!



AMAZON
VIVOHOME



INSTAGRAM
@VIVOHOME.OFFICIAL



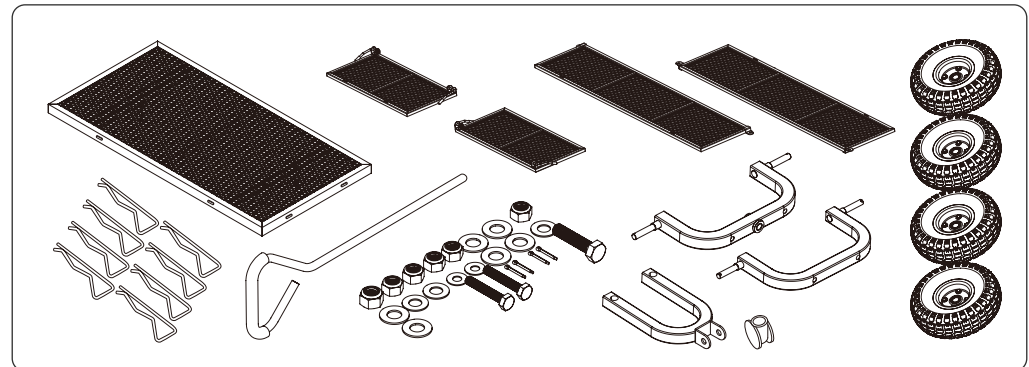
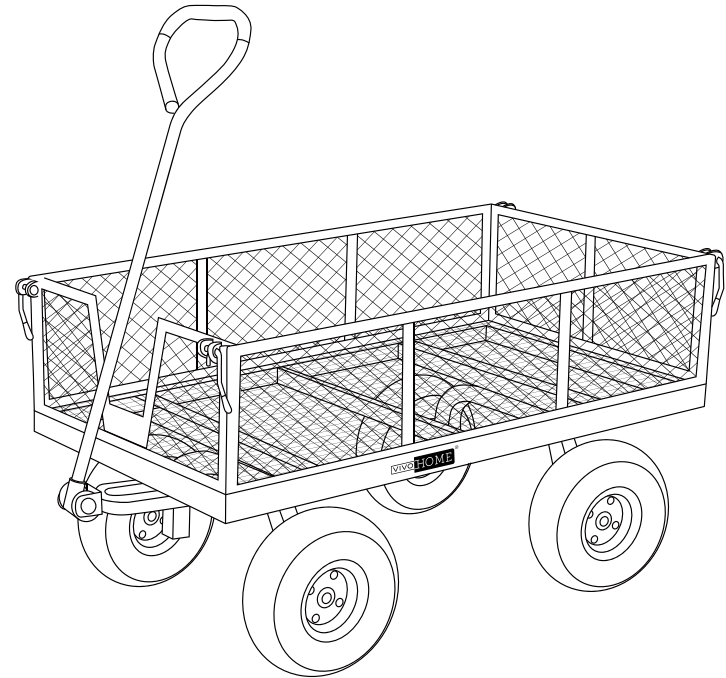
FACEBOOK
@VIVOHOME.OFFICIAL

Thank You For Purchasing From
VIVOHOME

support@vivo-home.com

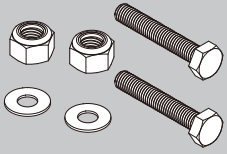
INSTRUCTION MANNUAL

Heavy Duty Garden Utility Wagon

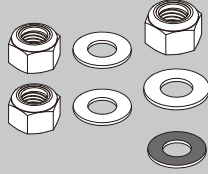


HARDWARE

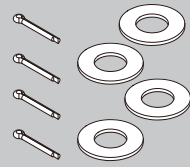
STEP 1 • PASO 1



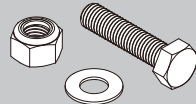
STEP 2 • PASO 2



STEP 3 • PASO 3



STEP 4 • PASO 4

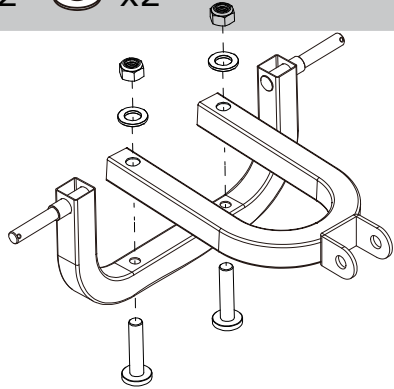


TOOLS REQUIRED

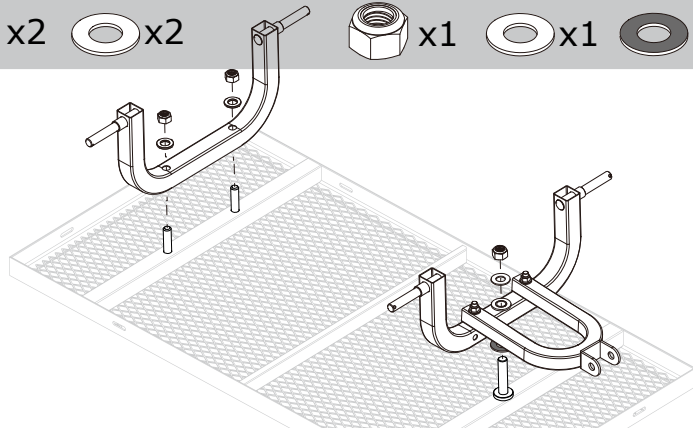


ASSEMBLY INSTRUCTIONS

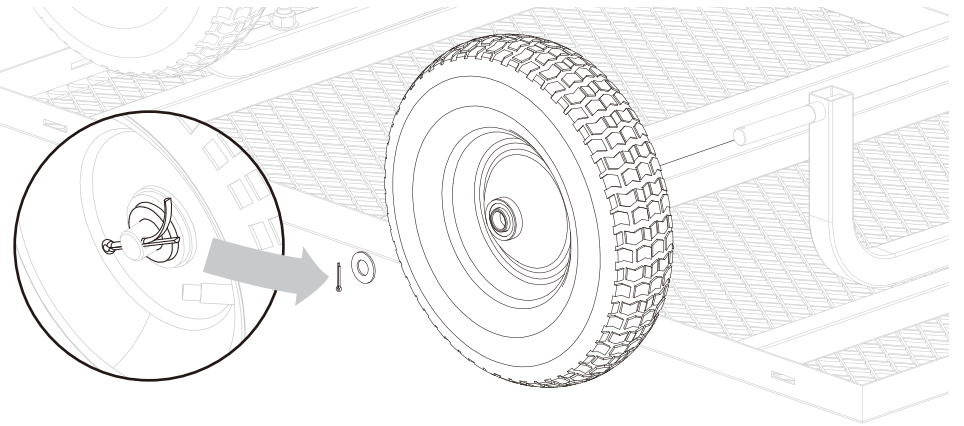
1



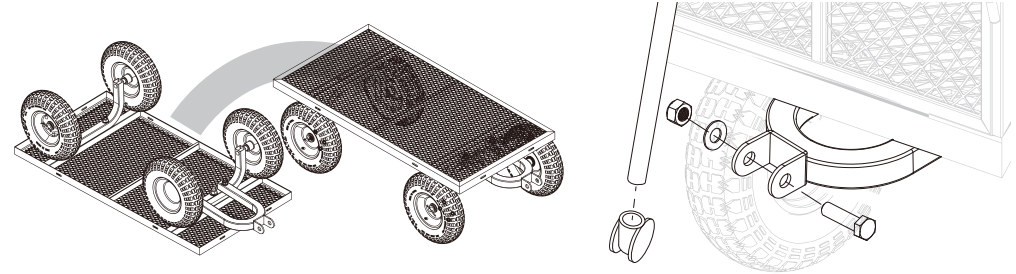
2



3



4



5

