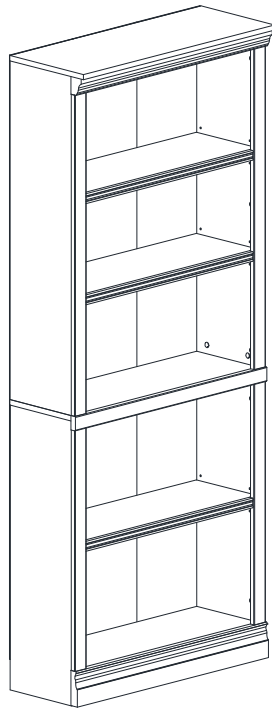


USE AND CARE GUIDE

71 IN. WOOD 5-SHELF CLASSIC BOOKCASE WITH ADJUSTABLE SHELVES



Questions, problems, missing parts?
Before returning to the store, call Customer Service.
8 a.m. – 7 p.m., EST, Monday – Friday, 9 a.m. – 6 p.m., EST, Saturday

1-877-527-0313

HOMEDEPOT.COM

THANK YOU

We appreciate the trust and confidence you have placed in StyleWell through the purchase of this bookcase. We strive to continually create quality products designed to enhance your home. Visit us online to see our full line of products available for your home improvement needs. Thank you for choosing StyleWell!!

Table of Contents

Table of Contents.....	2	Hardware Included.....	3
Safety Information.....	2	Pre-assembly (continued).....	4
Warranty.....	2	Package Included	4
1 Year Warranty.....	2	Cam Fastening System.....	5
What is Covered.....	2	Assembly.....	6-16
What is Not Covered.....	2	Weight Limits	17
Pre-assembly.....	3	Maintenance.....	18
Planning Assembly.....	3	Care and Cleaning.....	18
Tools Required.....	3	Troubleshooting.....	18

Safety Information



DANGER

- Keep small parts away from children during assembly.
- Read and follow instructions carefully.



WARNING

- Read these instructions carefully and keep in a safe place.
- TO GUARANTEE THE SAFE USE OF THIS PRODUCT, FOLLOW THE WARNINGS, GUIDELINES AND RECOMMENDATIONS IN THIS MANUAL.
- Adult assembly required.
- Small parts may present choking hazard prior to assembly.
- Do not stand, step or climb on unit.



CAUTION

- Do not use power tools to assemble your furniture. Power tools may strip or damage parts/product.
- Do not overtighten connectors (screws, bolts, etc.). Overtightening can lead to product damage.
- Be sure to check all packing materials carefully for small parts that may have come loose inside the carton during shipment. If parts are missing, contact THE HOME DEPOT to obtain any missing parts.
- DO NOT USE SUBSTITUTE PARTS.
- This product should only be used on a flat, level surface.
- Product is designed to hold 40lbs. Exceeding this limit may damage the product or cause injury to the user.

Warranty

1 YEAR WARRANTY

WHAT IS COVERED

We guarantee this product to be free of manufacturing defects to the original purchaser for one year.

WHAT IS NOT COVERED

This warranty does not cover commercial use, acts of nature, and abusive use.

Pre-assembly

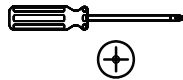
PLANNING ASSEMBLY

- Remove all Packaging materials, staples and packing straps from the carton.
- Refer to Parts List and Hardware List, and ensure parts and hardware are correct before assembly.
- Contact customer service for missing parts.
- Place all wooden parts on a clean, flat, and soft surface (e.g. carpet or rug) to prevent scratch and damage to parts

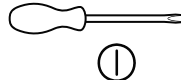
TOOLS REQUIRED



Safety goggles
(Not Included)



Phillips
screwdriver
(Not Included)



Slotted
Screwdriver
(Not Included)

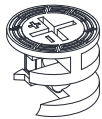


Level
(Not Included)

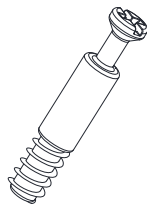
HARDWARE INCLUDED



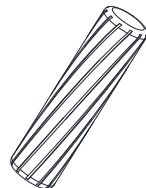
NOTE: Hardware not shown to actual size.



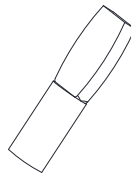
①



②



③



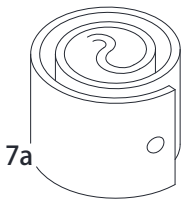
④



⑤



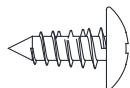
⑥



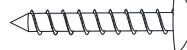
7a



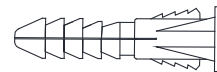
7b



7c



7d



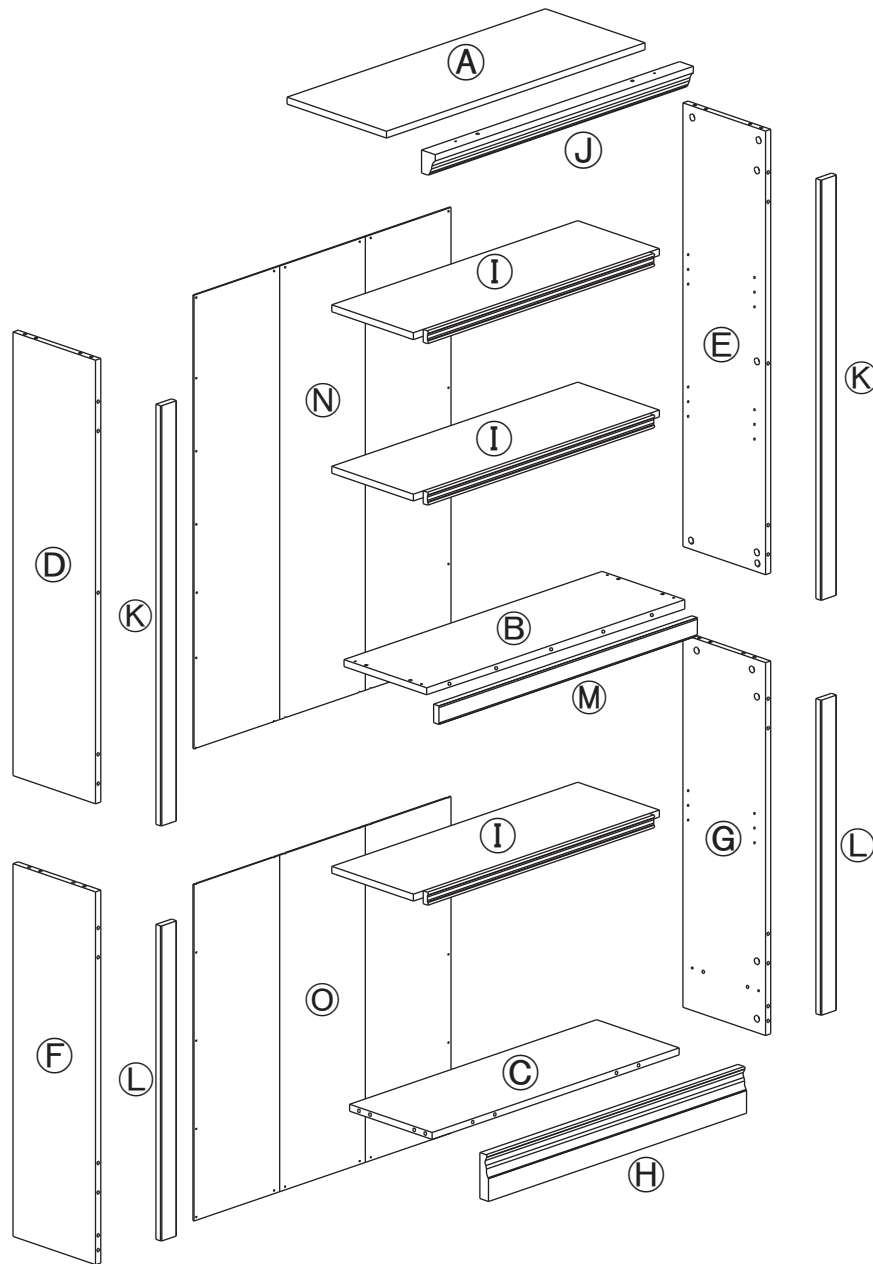
7e

⑦

Part	Description	Quantity
1	Cam lock	35+1 extra
2	Cam bolt	35+1 extra
3	Wood dowel	32+1 extra
4	Shelf support	12+2 extra
5	3x14 mm screw	32+2 extra
6	Cover	22
7	Safety strap kit	2

Pre-assembly (continued)

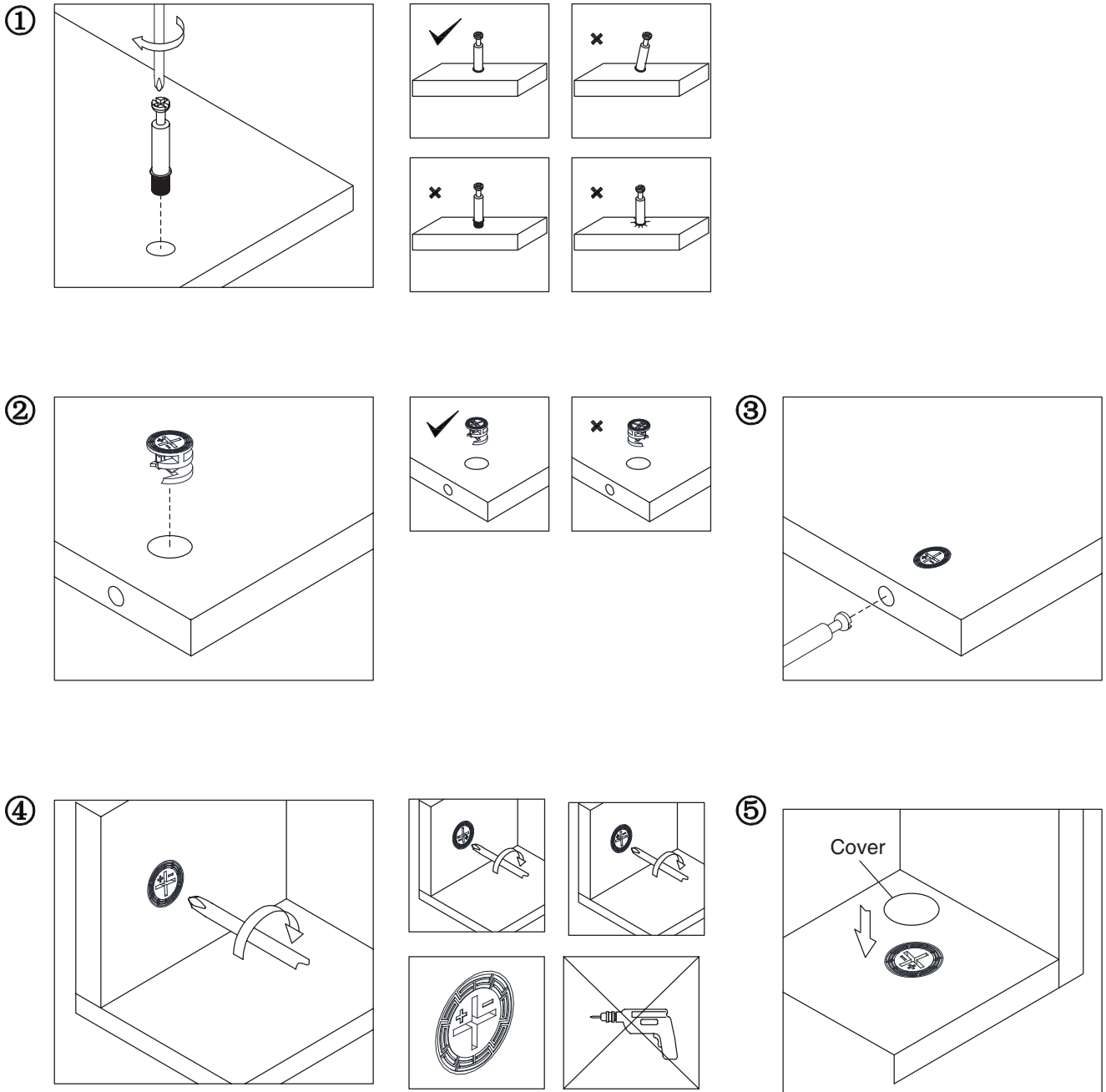
PANELS INCLUDED



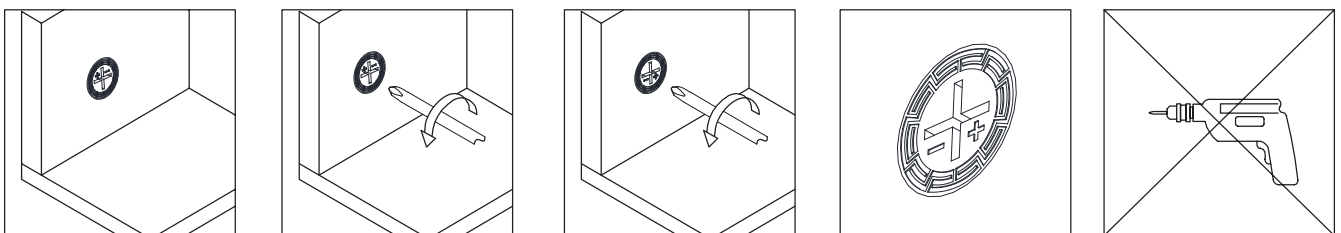
Part	Description	Quantity	Part	Description	Quantity
A	Top panel	1	I	Adjustable shelf	3
B	Fixed panel	1	J	Top trim	1
C	Bottom panel	1	K	Long rail	2
D	Upper left side panel	1	L	Short rail	2
E	Upper right side panel	1	M	Fixed panel rail	1
F	Left side panel	1	N	Upper back panel	1
G	Right side panel	1	O	Lower back panel	1
H	Bottom front rail	1			

CAM Fastening system

ASSEMBLY



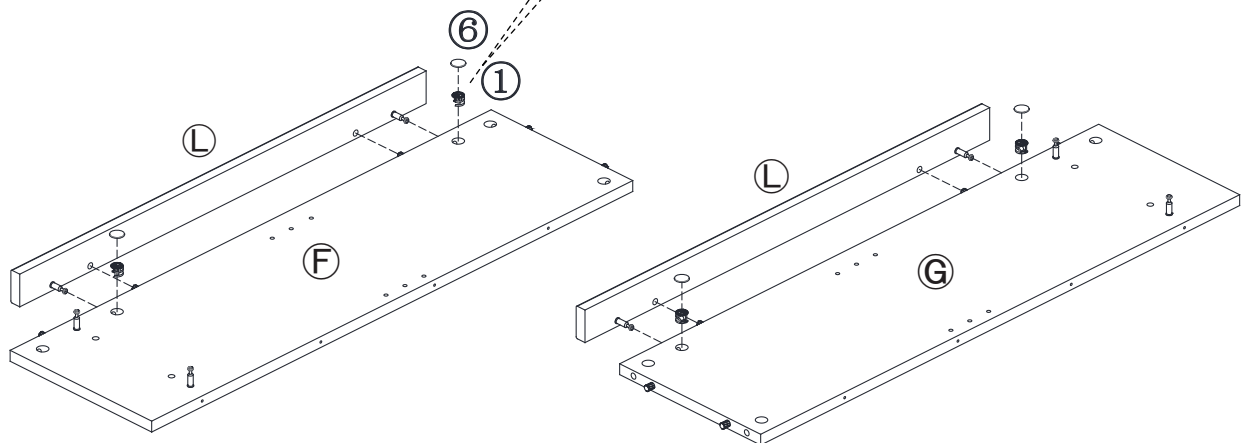
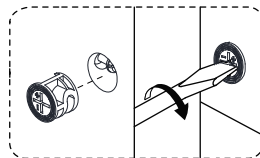
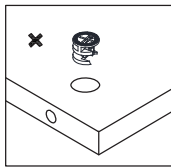
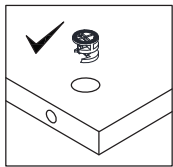
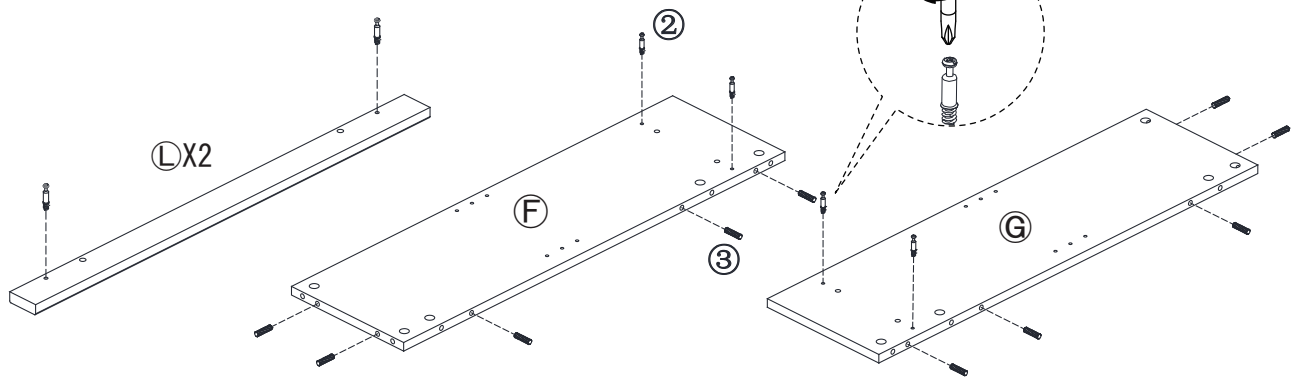
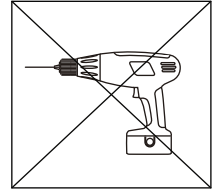
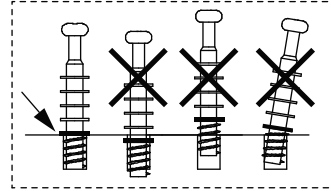
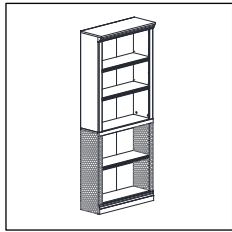
DIS-ASSEMBLY



Assembly

1 Left & right side panel assembly

- Metal parts & dowel preparation



① x 4



② x 8



③ x 10



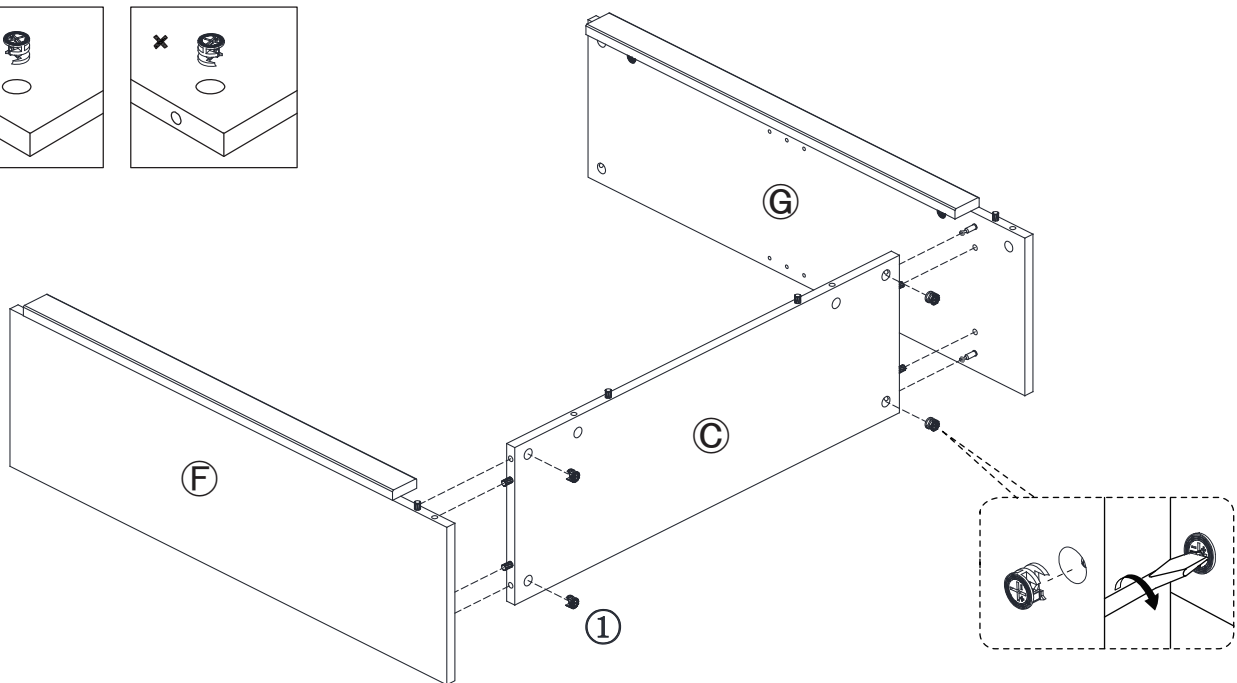
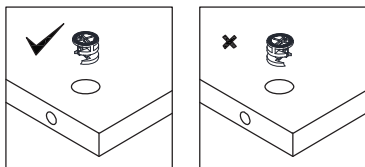
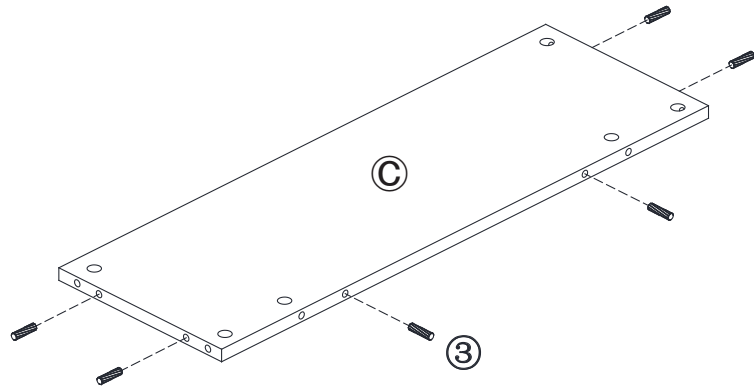
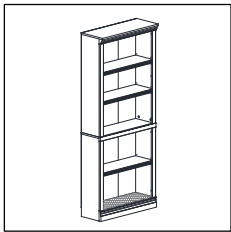
⑥ x 4



Assembly

2 Bottom panel assembly

Cam locks & dowel preparation



① x 4



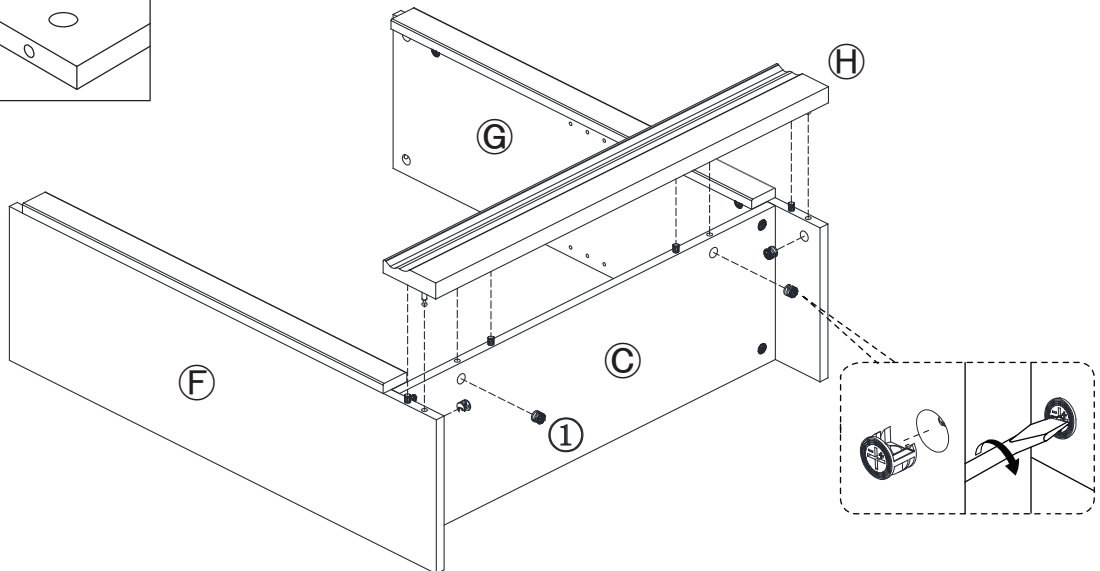
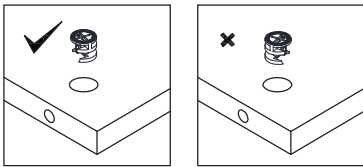
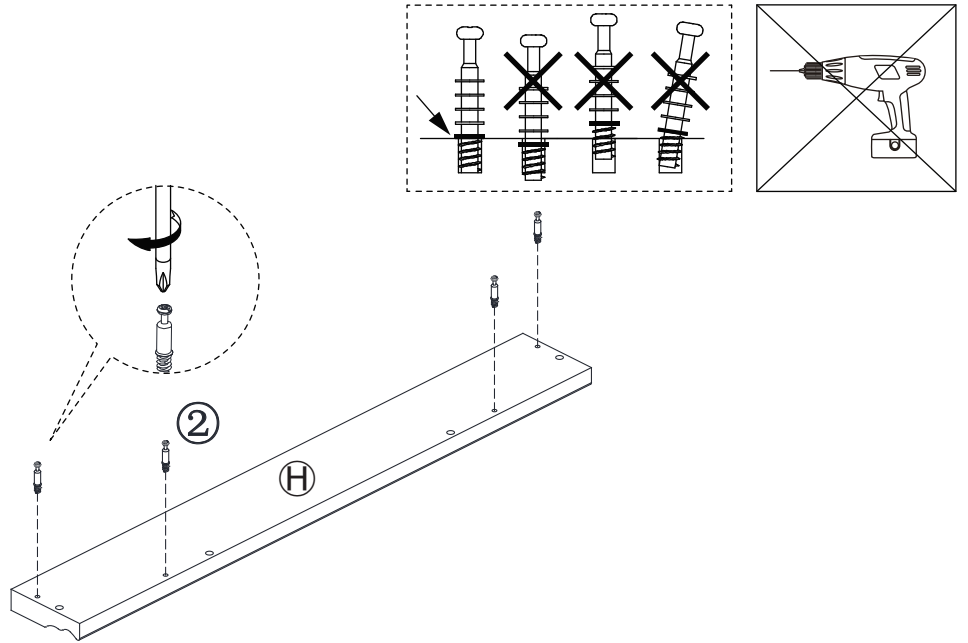
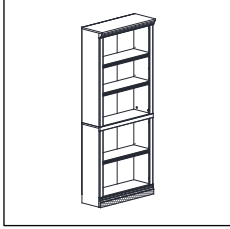
③ x 6



Assembly

3 Bottom front rail assembly

▫ Metal parts preparation



① x 4



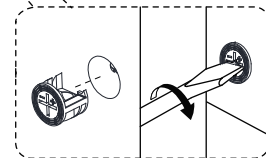
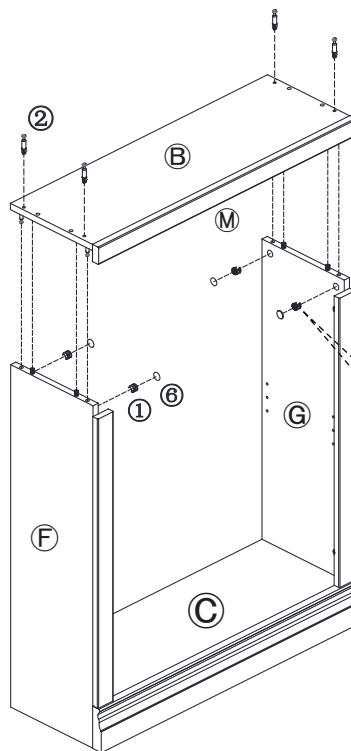
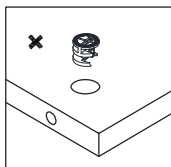
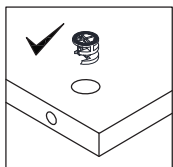
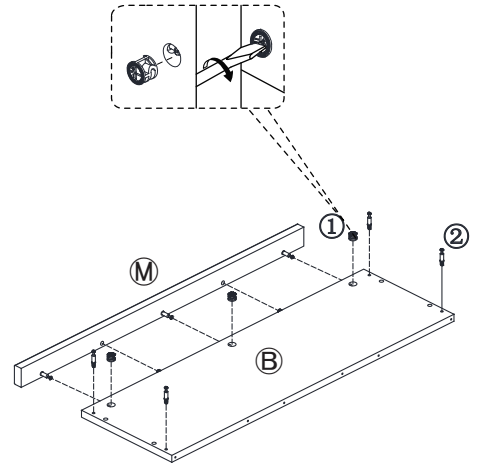
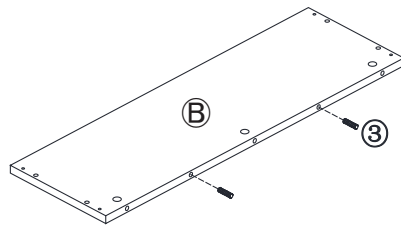
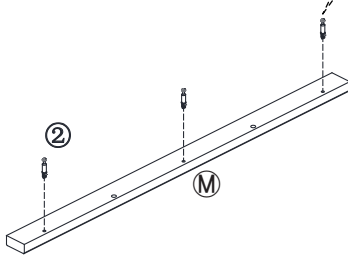
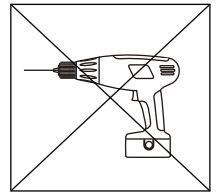
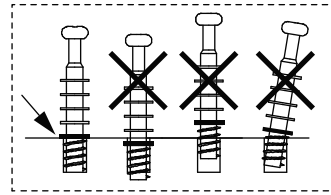
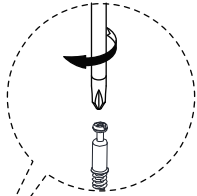
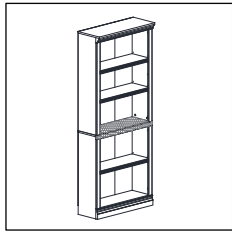
② x 4



Assembly

4 Fixed panel assembly

▫ Metal parts & dowel preparation



① x7



② x11



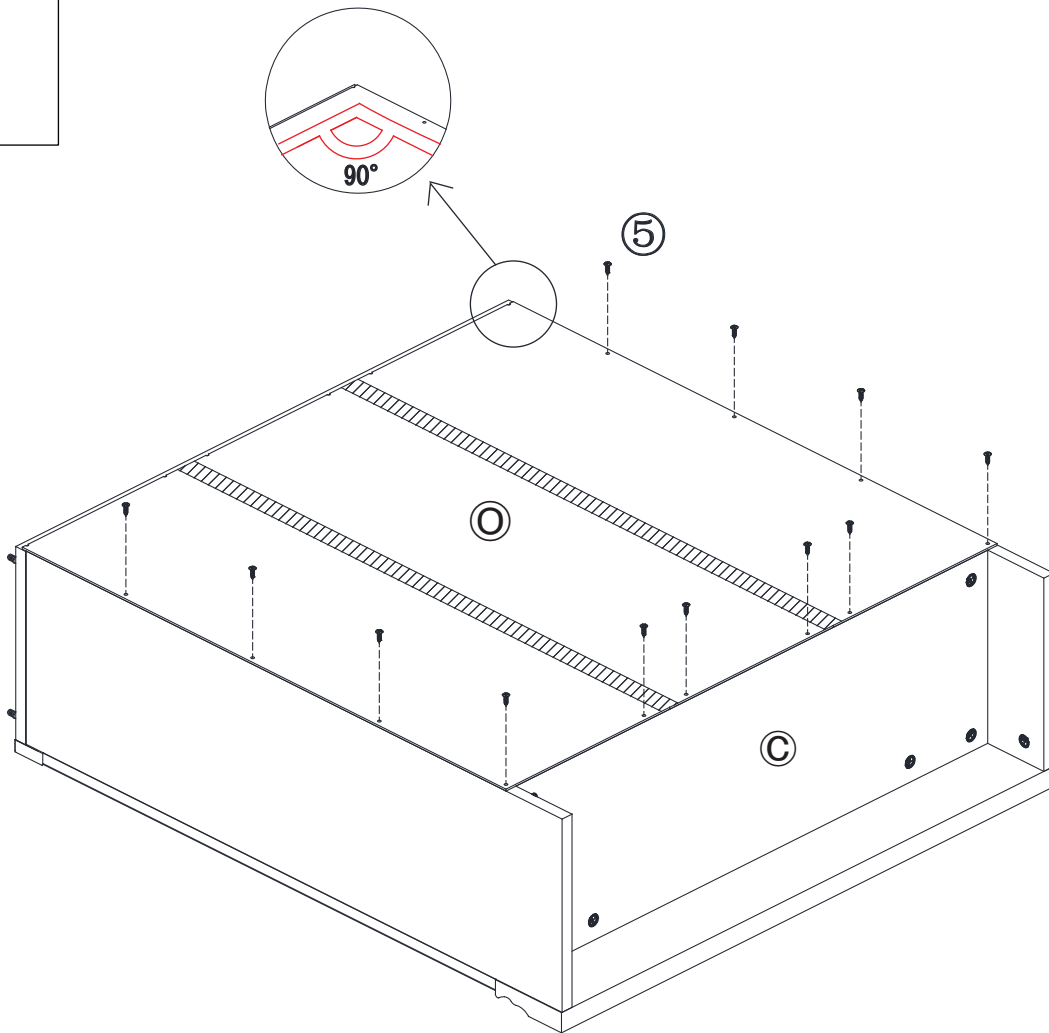
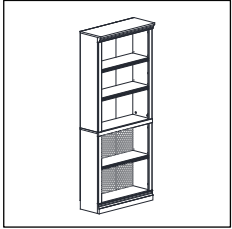
③ x2



⑥ x4



5 Lower back panel assembly



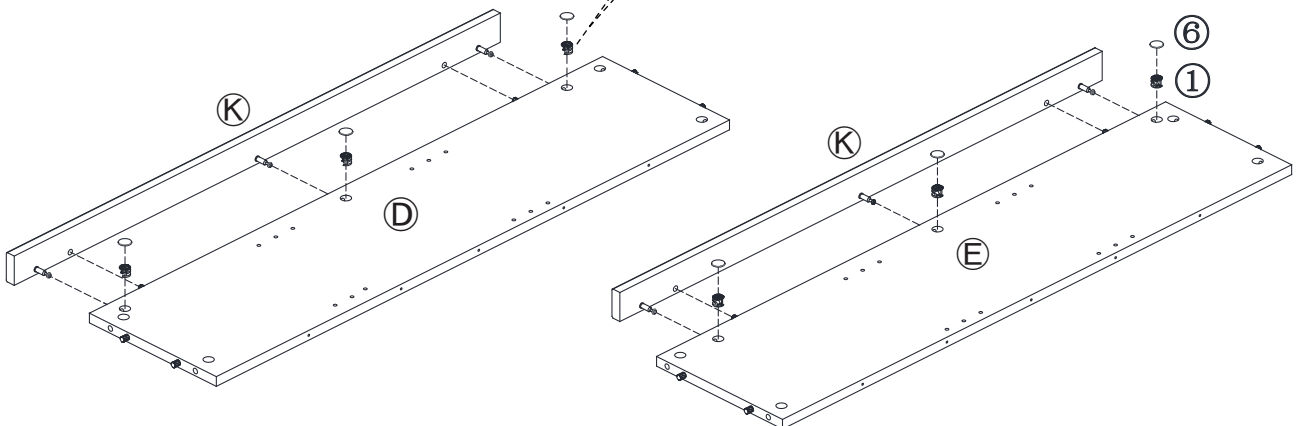
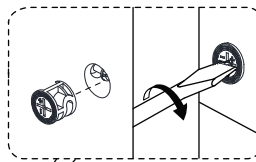
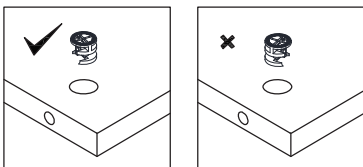
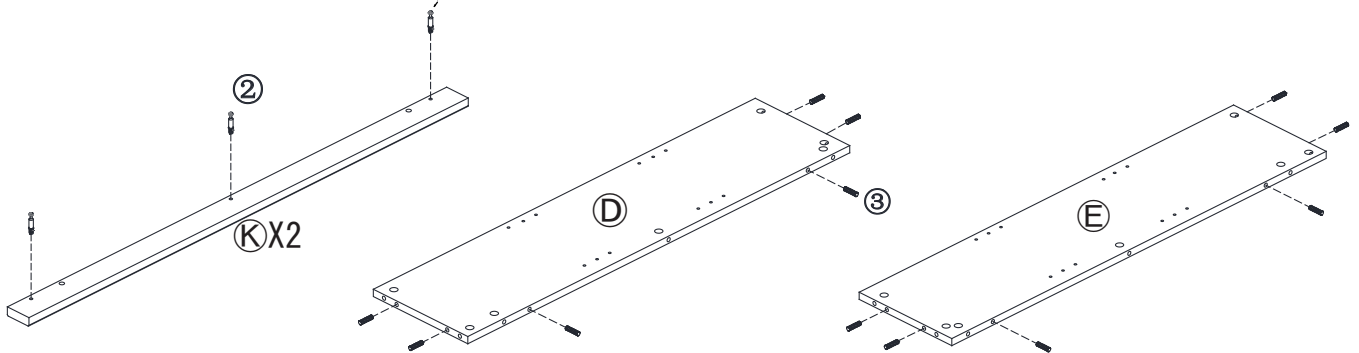
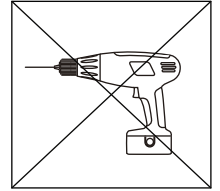
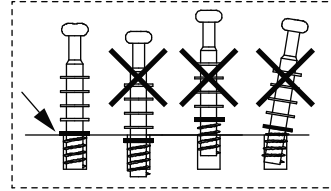
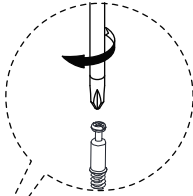
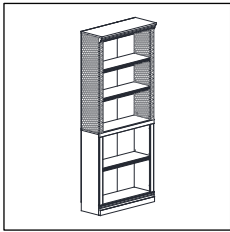
⑤ x 12



Assembly

6 Upper left & Right side panel assembly

▫ Metal parts & dowel preparation



① x 6



② x 6



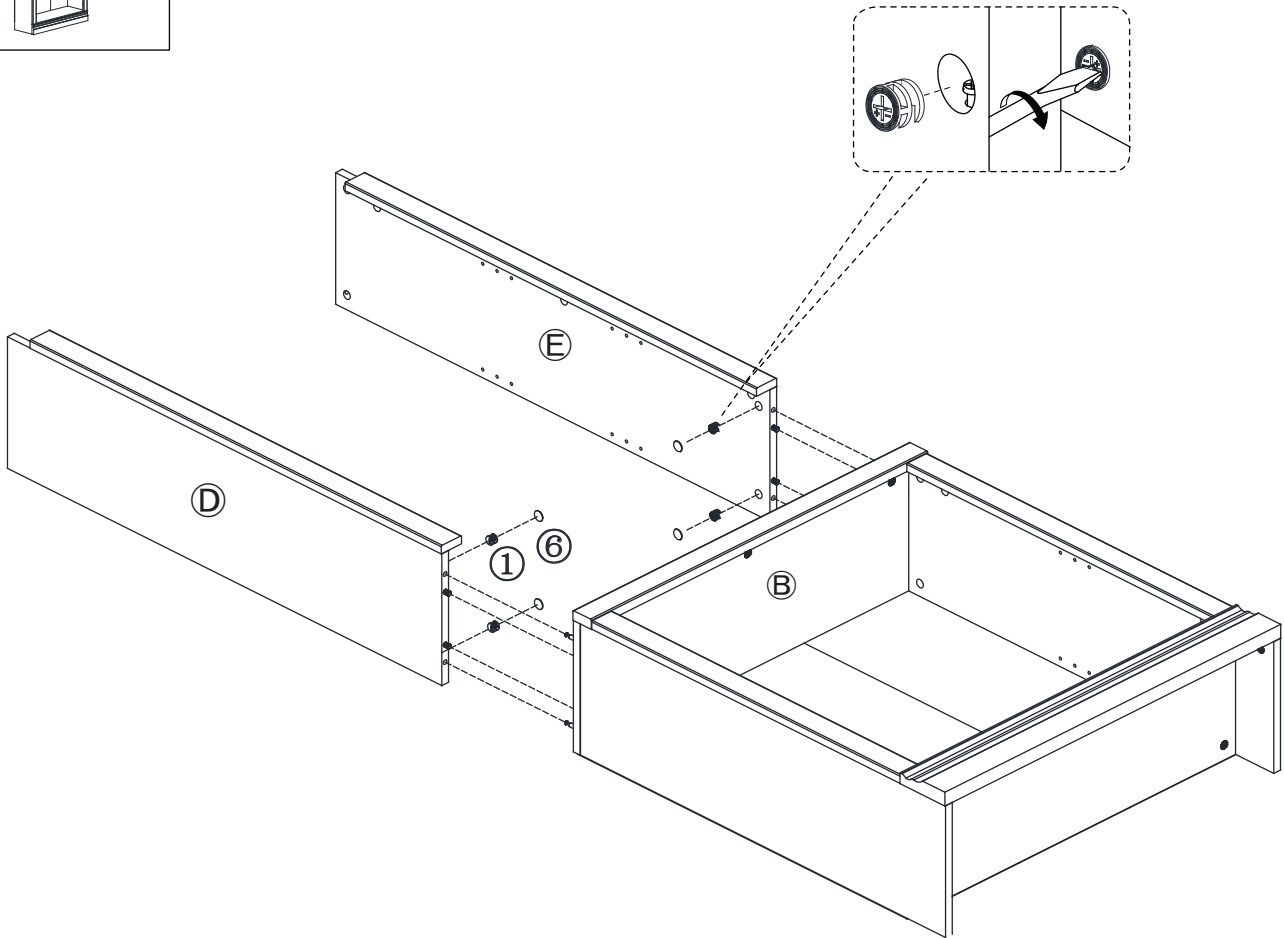
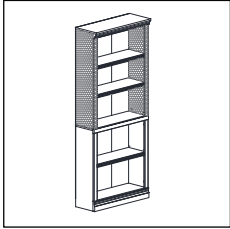
③ x 12



⑥ x 6



7 Attach upper left & right side panel to the unit



① x 4



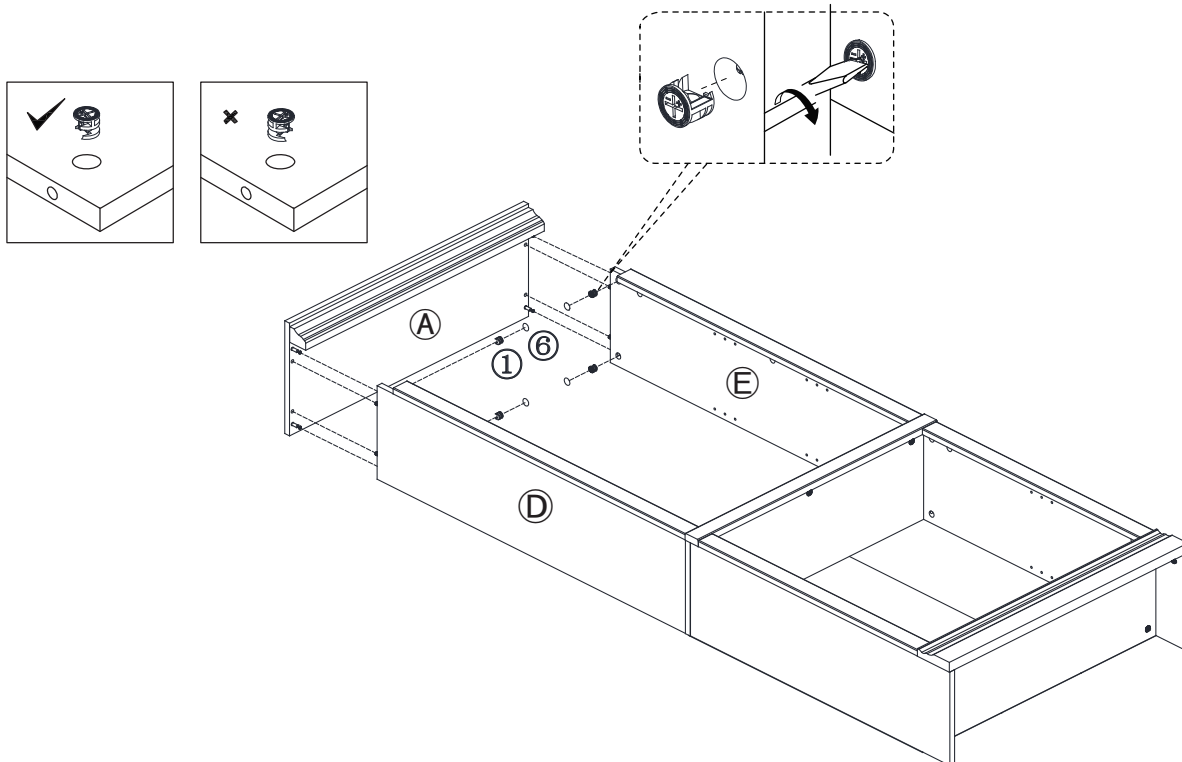
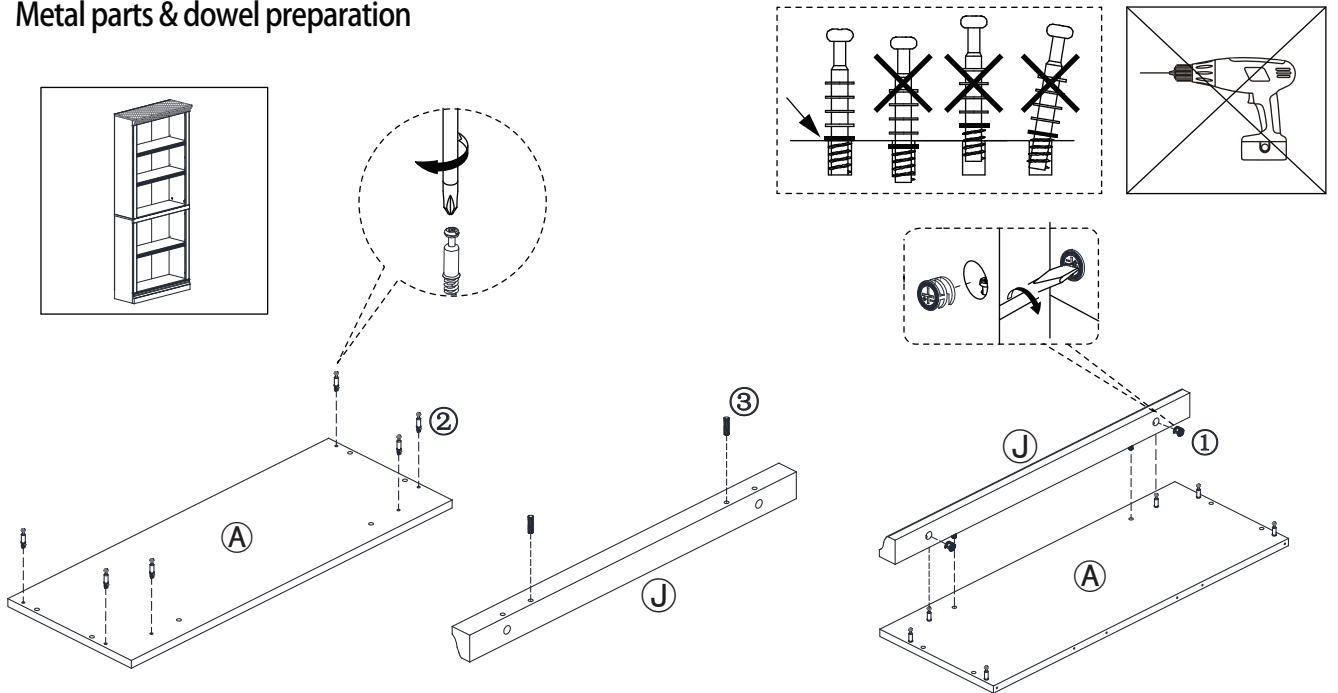
⑥ x 4



Assembly

8 Left & Right side panel assembly

□ Metal parts & dowel preparation



① x 6



② x 6



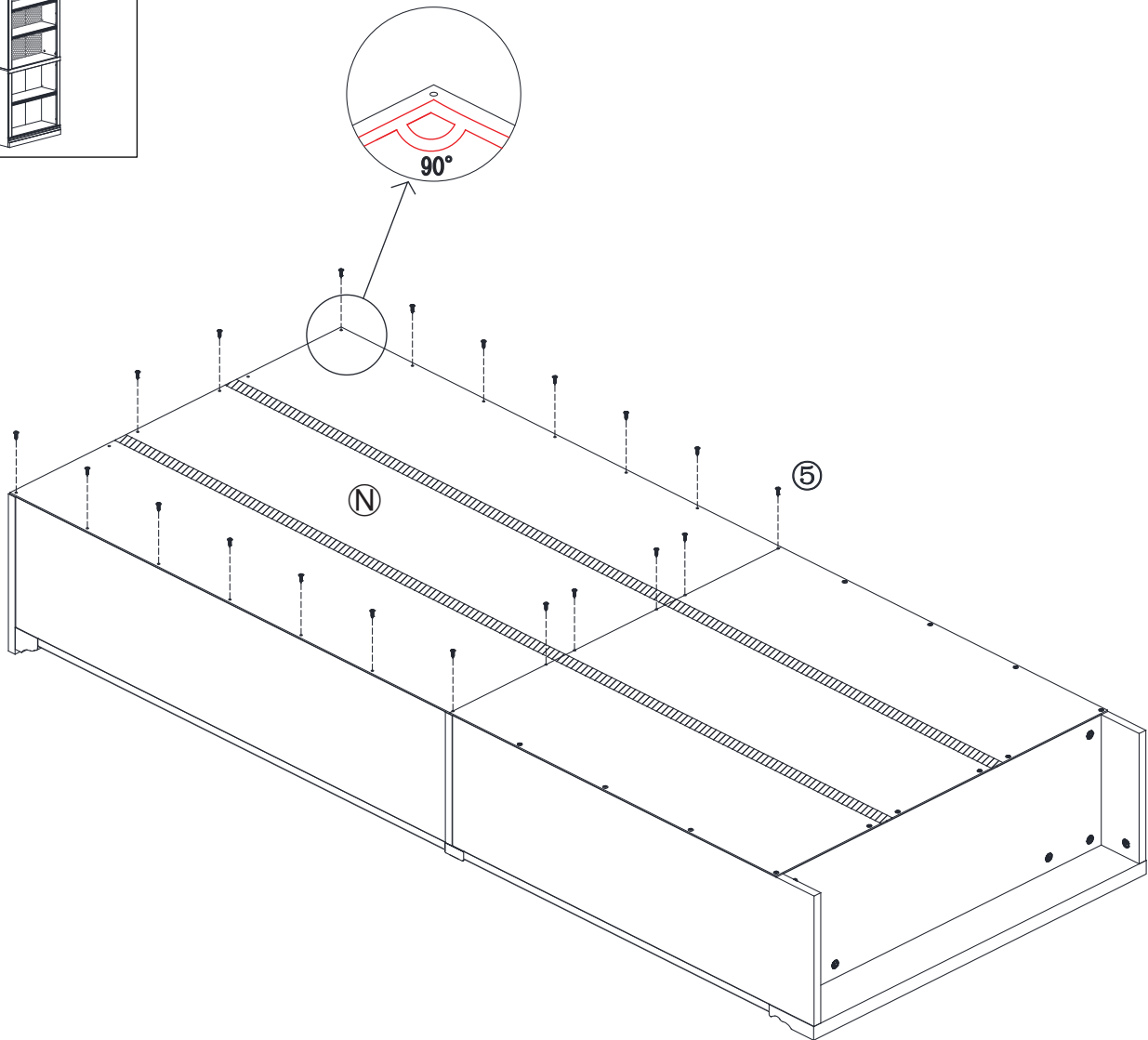
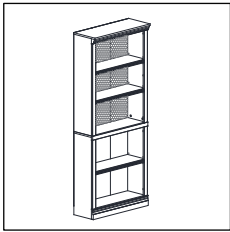
③ x 2



⑥ x 4



9 Upper back panel assembly

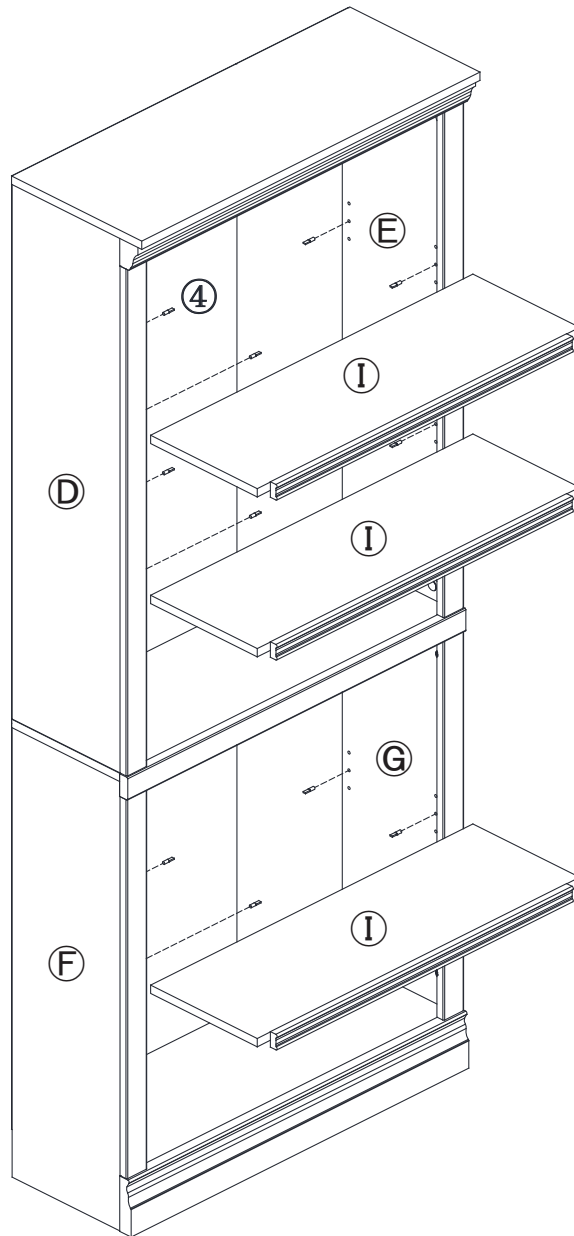
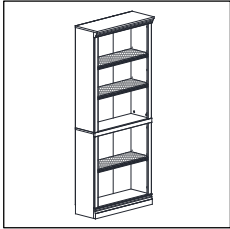


5 x 20



10 Adjustable shelf assembly

- Insert shelf support 4 into part D & E & F & G.
Attach part I to the unit as shown.



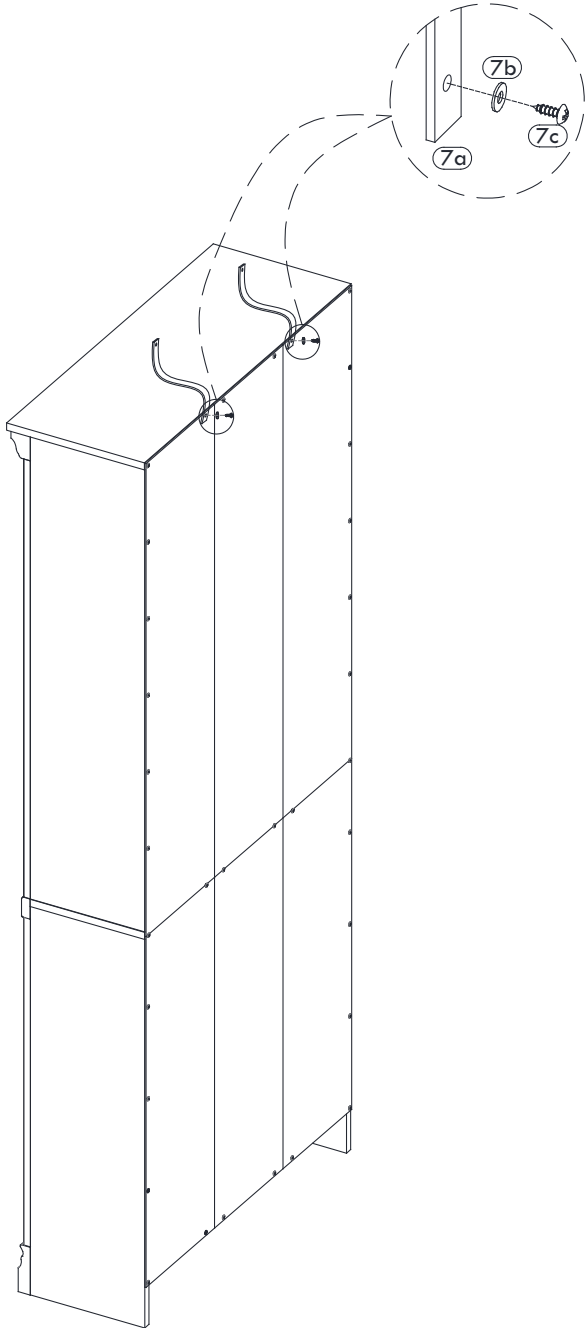
④ x 12



Assembly

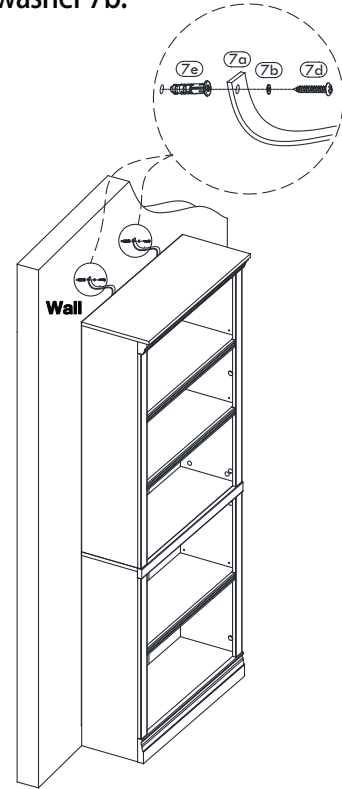
11 Fasten strap to back panel

- Fasten the safety strap 7a to back panel using the screw 7c through washer 7b.

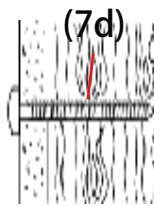


12 Fixing to wall

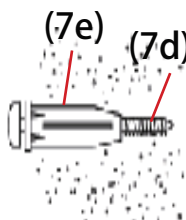
- Drill hole in the wallboard. Tap the wall anchor 7e into the hole until it is flush. Fasten the safety strap 7a to the wall anchor 7e using the screw 7d through washer 7b.



Wall mounting hardware

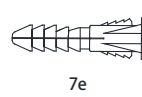
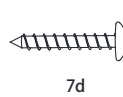


- For walls constructed of wood with drywall
- with a pencil mark location of holder position
 - Drill pilot hole using a 1/8 inch drill bit 2 inches deep
 - Attach holder to wall using the 1 inch screw provided



- For walls constructed of concrete
- with a pencil mark location of holder position
 - Drill pilot hole using a 1/4 inch drill bit 2 inches deep
 - Using a rubber mallet or hammer insert wall anchor into predrilled hole
 - Attach holder to wall anchor using 1 inch screw provided

Ask local hardware store for proper hardware if your wall is constructed of materials not as listed



WEIGHT LIMITS



Maintenance

- To clean and care for your furniture:
- Use a soft, clean cloth that will not scratch the surface when dusting.
- Use of furniture polishes is not necessary. Should you choose to use polishes, test first in an inconspicuous area.
- Using solvents of any kind on your furniture may damage the finish.
- Never use water to clean your furniture as it may cause damage to the finish.
- Always use coasters under beverage glasses and flowerpots.
- Liquid spills should be removed immediately. Using a soft clean cloth, blot the spill gently. Avoid rubbing.
- Always use protective pads under hot dishes and plates. Heat can cause chemical changes that may create spotting within the furniture finish.
- Stains or marks from crayons or ink markers will be difficult to remove.
- In the event that your furniture is stained or otherwise damaged during use, we recommend that you call a professional to repair your furniture.
- Check bolts/screws periodically and tighten them if necessary.

Care and Cleaning

- It is best to keep your furniture in a climate-controlled environment. Extreme temperature and humidity changes can cause fading, warping, shrinking and splitting of wood. It is advised to keep furniture away from direct sunlight as sun may damage the finish.
- Proper care and cleaning at home will extend the life of your purchase. Following these important and helpful tips will enhance your furniture as it ages.

Troubleshooting

Problem	Solution
One or more of the bolts do not fit in holes correctly.	The product is KD construction. Do not fully tighten the bolts before all are completely lined up and inserted into holes. Loosen the bolts and make sure all bolts are lined up and inserted into the holes.

StyleWell.™

Questions , problems, missing parts?
Before returning to the store, call Customer Service
8 a.m. – 7 p.m., EST, Monday – Friday, 9 a.m. – 6 p.m., EST, Saturday

1-877-527-0313

HOMEDEPOT.COM

Retain this manual for future use.