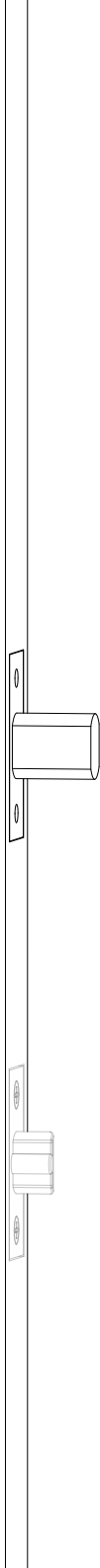
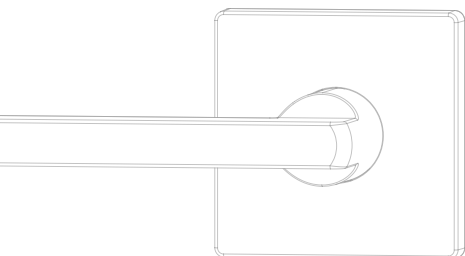
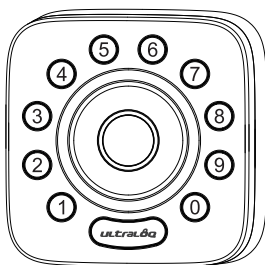




Ultralog U-Bolt Pro

Installation and User Guide

(V1.4)



Important Notes

- Do not use a power drill for installation.
- Install and test the lock with the door open to avoid being locked out.
- Please read all the instructions before contacting customer support.
- Please contact customer support before returning the product to the store.
- DO NOT install the batteries before installing the lock!
- Follow the instructions in sequential order!
- This lock is designed for the following operating temperatures:
Outside Lock Body: -31°F(-35°C) to 158°F (70°C)
Inside Lock Body: 14°F (-10°C) to 131°F (55°C)
- Please must use AA Alkaline Battery and don't use Lithium Battery or Rechargeable Battery.

Statements

To ensure the best service, please register your account at www.u-tec.com/register.html

UltraIQ Terms & Policies

Before using all UltraIQ products, please read all applicable terms, rules, policies and usage provisions found at www.u-tec.com/company/privacy. By using your UltraIQ, you agree to be bound by the U-tec Privacy Policy.

Need Help?

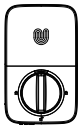
For technical documents and more

Please visit www.u-tec.com/support

Email: support@u-tec.com

Packing List

Interior Assembly



Exterior Assembly



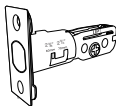
Interior Assembly Mounting Plate



Strike



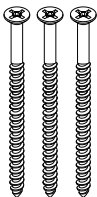
Bolt



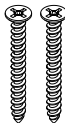
Backup Key



Screw A



Screw B



Screw C



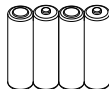
Screw D



Screw E



AA Alkaline Batteries



May not be included for some regions

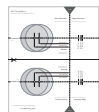
Screwdriver



User Guide



Drill Template



Reset Needle



Bridge



Optional

Installation Guide

Installation Video



Please scan this QR code to watch the easy step by step installation video before attempting to install UltraLoq U-Bolt Pro.

Or you can also view the website directly.
www.u-tec.com/lock/U-bolt_pro/guide

1. Preparing Door

Check the door's dimensions.

Step 1

Measure to confirm that the door is between $1\frac{5}{16}$ " ~ 2" (33 mm-50 mm) thick.

Step 2

Measure to confirm that the diameter of the hole is $2\frac{1}{8}$ " (53 mm).

Step 3

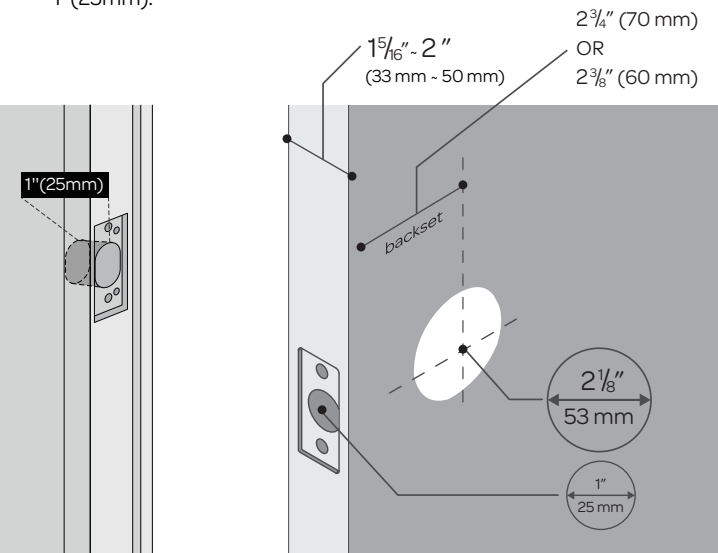
Measure to confirm that the backset is either $2\frac{3}{8}$ " or $2\frac{3}{4}$ " (60 mm or 70 mm).

Step 4

Measure to confirm that the diameter of the hole in the door edge is 1" (25 mm).

Step 5

Measure to confirm the depth of the hole in the frame is at least 1" (25mm).



If you have a new door, please drill the holes according to Drill Template.

2. Installing Bolt and Strike

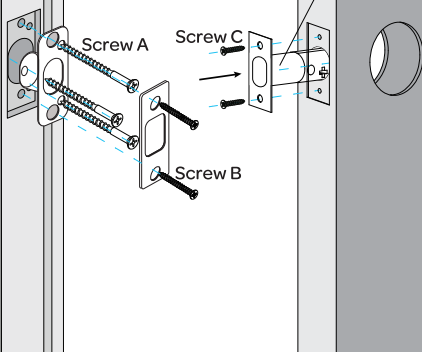
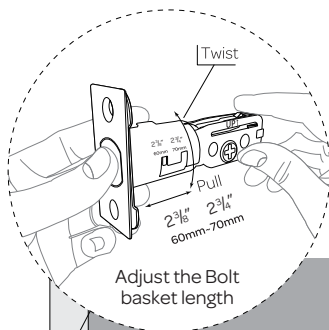
Step 1

Install Bolt into the door. Make sure the UP ↑ icon goes up.

Note: Bolt is set for $2\frac{3}{8}$ " backset initially. It can be adjusted to $2\frac{3}{4}$ " if needed. To adjust it please make sure the bolt is retracted, then, press it, twist and pull it or push it to your desired length.

Step 2

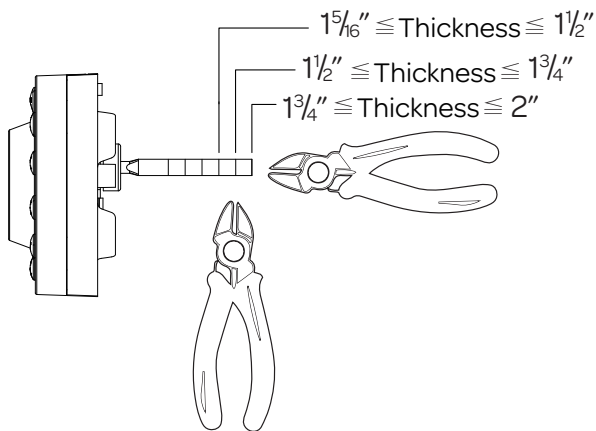
Install Strike into the door frame.



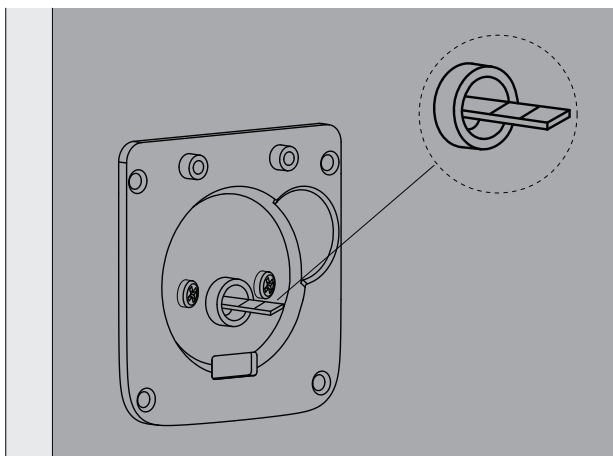
3. Installing Exterior Assembly

Step 1

Carefully break off cylinder tailpiece at required mark for your door thickness.



Caution: Use two pliers as shown or tailpiece will be damaged.



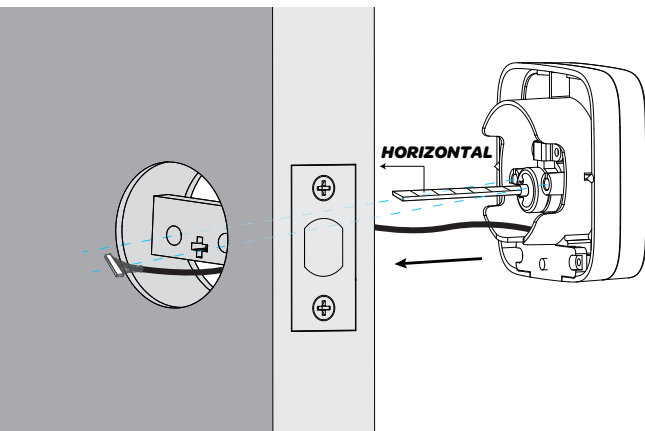
After installing the cover plate, there should be 1 or 2 pieces over the Assembly Mounting Plate hole.

Step 2

Keep Bolt **retracted** and the cylinder tailpiece **horizontal**.
Install Exterior Assembly. Please **do not** insert the mechanical key during installation .

Step 3

Align its two sticks with two holes on Bolt. The cable goes through the hole **below** Bolt.



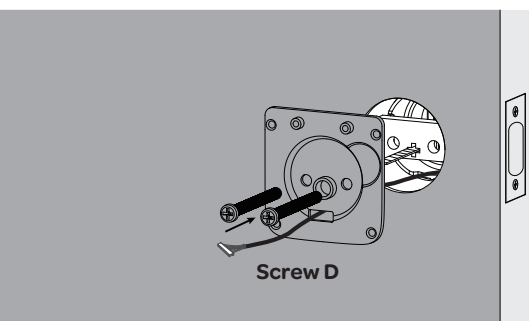
4. Installing Interior Assembly Mounting Plate

Step 1

Route the cable through the hole on Interior Assembly Mounting Plate.

Step 2

Secure Interior Assembly Mounting Plate to Exterior Assembly using Screws D.



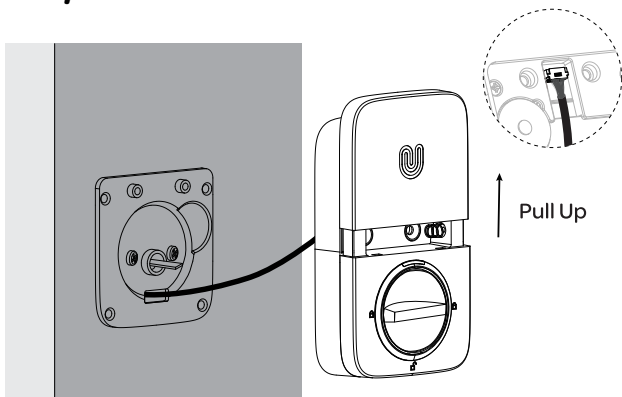
5. Installing Interior Assembly

Step 1

Remove the battery cover of the Interior Assembly.

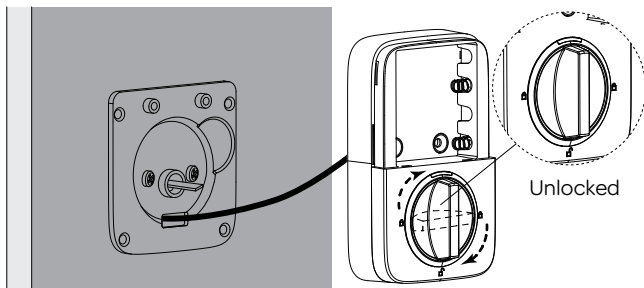
Step 2

Insert the connector of the cable to the socket on Interior Assembly. **Press the connector in firmly until it is completely seated.**



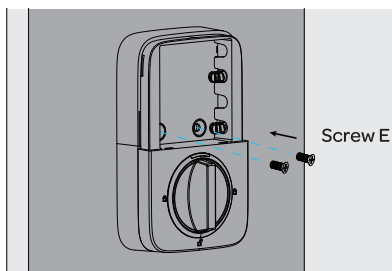
Step 3

Rotate the knob and keep it in a **vertical** position to stay unlocked.



Step 4

Attach Interior Assembly to Mounting Plate and tighten 2 Screws E.

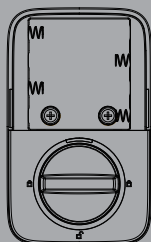


6. Installing the Batteries and Performing the Door Handing Process

This step will teach your lock the orientation of your door and is crucial to lock operation.

Step 1

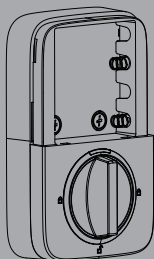
Rotate the knob and keep it in a horizontal position to stay locked.



ENGLISH

Step 2

Insert 4 AA Alkaline Batteries.



Note: Any fingerprint or code can unlock U-Bolt Pro in Factory Default Mode.

Step 3

Install battery cover.

User Guide

User Guide Video

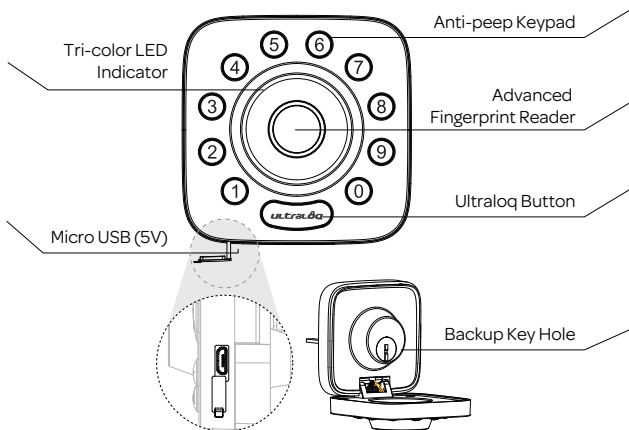
Please watch our easy step by step User Guide video before attempting to use your Ultraloq U-Bolt Pro Smart Lock.



Or you can also view the website directly.
www.u-tec.com/lock/U-bolt_pro/guide

1. Product Overview

1.1 Exterior



Anti-peep Keypad

Used to enter the code and unlock from outside.

Advanced Fingerprint Reader

Used to verify your finger and unlock from the outside.

Backup Key Hole

Used to insert the key to unlock in emergency situations.

Micro USB (5V)

Used to connect power bank to activate the lock when battery runs out.

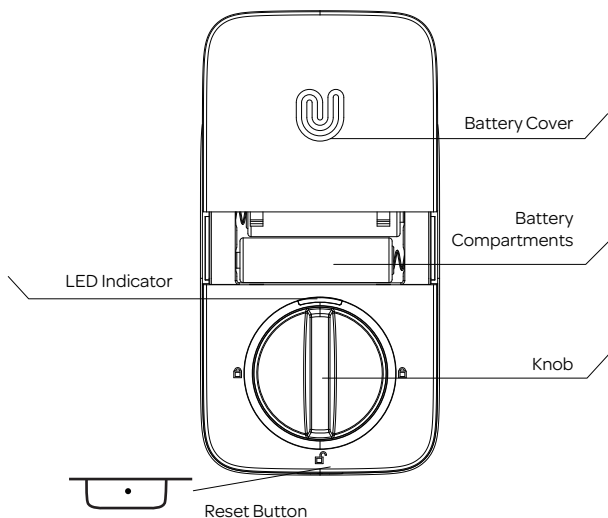
Tri-color LED Indicator

Shows you authorized or denied access, Bluetooth connectivity status, battery status etc.

Ultraloq Button

Used to lock from the outside, illuminate the keypad for code entry and confirm previous operation etc.

1.2 Interior



Reset Button

Used to reset the lock to Factory Default settings.

If the lock was paired to App, please must click "Delete" to remove the device from App.

Battery Compartments

Used to insert 4 AA alkaline batteries.

Note:

Lithium batteries may have a longer life, but when they begin to fail, they fail quickly. We don't recommend them because they don't give you a lot of time to change your batteries before the lock is completely dead.

Please don't use any Rechargeable Battery.

Battery Cover

Used to cover batteries and product label.

Knob

Used to unlock and lock the door from inside.

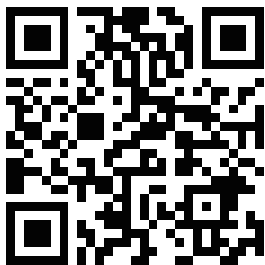
LED Indicator

Turns red when door is unlocked.

1.3 Low Battery Alarm

There will be low battery alert on the lock and App when battery is low. Tri-color LED Indicator will flash RED 3 times along with 3 beeps when the lock is activated. Please replace batteries.

2. Lock Setup



Scan QR code to download the App



Step 1

Scan above QR code to download the App, or search "U-tec" in App Store (iOS) and Google Play (Android).

Step 2

Open the App, register U-tec account and log in the account.

Step 3

Make sure the lock is in **Factory Default Mode**. Turn on Bluetooth on your smartphone, stay near the lock (within 10 feet / 3 meters) and search the lock in the App.

Step 4

Pair the lock in the App and start to use it.

Note: Please refer to the guide in U-tec App for more information.

DON'T WANT TO USE THE APP?

Please go to page 15 for programming guide for Standalone Mode.

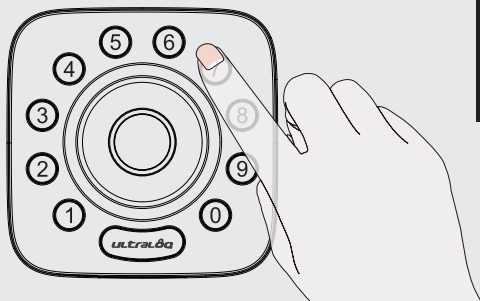
3. Using Your Lock

3.1 Unlock From Outside

- **User Code**

Enter 4-8 digit code and press Ultraloq Button to unlock.

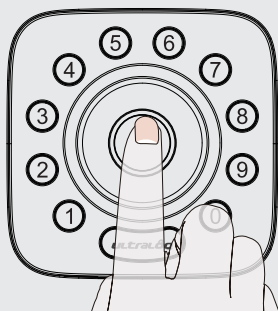
Note: You can press Ultraloq Button to turn on Keypad backlight.



ENGLISH

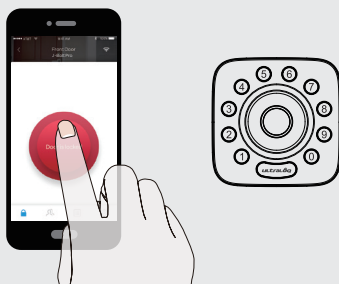
- **Fingerprint**

Place your finger on Fingerprint Reader to unlock.



- **Smartphone**

Use your smartphone to unlock. Please refer to the guide in U-tec App.



3.2 Lock From Outside

Press Ultraloq Button to lock manually.

Enable Auto Lock feature and the lock will relock automatically.

3.3 Unlock From Inside

Rotate the knob to a vertical position to unlock.

3.4 Reset the Lock

Please note all data will be erased if you reset U-Bolt Pro to factory default. If you are using U-tec App as Owner, please click "Delete and Reset" to remove the lock from your U-tec Account, then use a Reset Needle to push the Reset Button (at the bottom of Interior Assembly) for around 3 seconds until you hear one long beep and two short beeps.

3.5 Replace Batteries

Please use 4 high-quality alkaline AA batteries for replacement when the battery is dead.

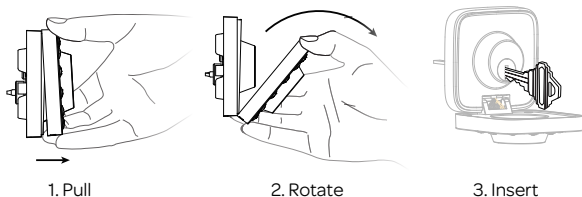
3.6 5V Emergency Power

Micro USB interface is used to connect regular 5V power bank to activate the lock in case the battery is dead.

3.7 Emergency Key Override

Emergency Key Override can be used when the battery is dead.

Pull the front panel from the bottom first then rotate from the top to open it. You can see Backup Key Hole inside. Insert the key and rotate to unlock, just like any lock.



Important Note

Please keep at least one key in secure location outside of your place.

3.8 Enable Or Disable Auto Lock

Enable

Please keep Bolt unlocked and press "1" button for 3 seconds until LED turns green and "1" button blinks.

Disable

Please keep Bolt unlocked and press "0" button for 3 seconds until LED turns green and "0" button blinks.

This can also be set in U-tec App and Auto Lock timing can be programmed between 10 seconds to 5 minutes. Factory Default timing is 30 seconds.

3.9 Anti-peep Keypad

The lock supports up to 16-digit Vague Code. Just enter any 16-digit code, as long as a correct code is included in what you entered, you can open the door.

Example
User Code: 123456

Vague Code

1: 123456XXXXXX

2: XXXXXXX123456

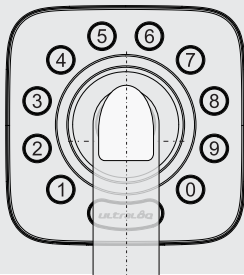
3: XXX123456XXX

3.10 Place Finger

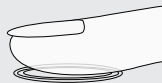
Bottom View



Top View



Side View



1. Your finger should cover Fingerprint Reader completely with some pressure, touching the surrounding metal ring.
2. Make sure that your finger and Fingerprint Reader are clean and dry. For Fingerprint Reader, use a clean, lint-free cloth to wipe off any dirt or debris.
3. Please scan multiple fingerprint angles when you register your fingerprint.
4. While scanning your finger, you shouldn't tap too quickly or move your finger around.
5. If you have trouble enrolling one finger, try another.
6. U-Bolt Pro fingerprint sensor has self-study function which the verification rate will be improved after multiple success.

4. Standalone Mode Programming Guide




It is recommended to use U-tec App to program your lock. If you don't have a smartphone or don't want to use the App, you may follow the programming instructions below.

Warning




Standalone Mode is NOT available after the lock is registered in App! Please reset the lock to Factory Default Mode first to program your lock in Standalone Mode.

4.1 Add Admin Code in Standalone Mode

Admin Code must be created first prior to any other programming. Only one Admin Code is available.




Operation	Indicator
Hold  for 3 sec	2 beeps with flashing green light
↓	
Enter 4-8 digit Admin Code and press 	1 beep with green light, then flashing green light
↓	
Enter the Admin Code again and press 	2 beeps with green light
↓	
Success	All lights off

4.2 Add User Code in Standalone Mode

Operation	Indicator
Hold  for 3 sec	2 beeps with flashing blue light
↓	
Enter 4-8 digit Admin Code and press 	2 beeps with green light, then steady blue light
↓	
Enter 4-8 digit User Code and press 	1 beep with green light, then steady blue light
↓	

Enter the User Code again and press 	2 beeps with green light
↓	
Success	All lights off

4.3 Add Fingerprint in Standalone Mode

Operation	Indicator
Hold  for 3 sec	2 beeps with flashing blue light
↓	
Enter 4-8 digit Admin Code and press 	2 beeps with green light, then steady blue light
↓	
Place Your Finger	 light
↓	
Lift and Place Your Finger	#1 and #2 light with beep
↓	
Lift and Place Your Finger	#3 and #4 light with beep
↓	
Lift and Place Your Finger	#5 and #6 light with beep
↓	
Lift and Place Your Finger	#7 and #8 light with beep
↓	
Lift and Place Your Finger	#9 and #0 light with beep
↓	
Success	2 beeps with green light

4.4 Delete Admin and User

Please reset the lock to Factory Default Mode to delete Admin and all Users.

How to reset the lock in Standalone Mode?

Please use a Reset Needle to push the Reset Button (at the bottom of Interior Assembly) for around 3 seconds until you hear one long beep and two short beeps.

FAQ

1. How to reset U-Bolt Pro?

Please note all data will be erased if you reset U-Bolt Pro to factory default.

If you are using U-tec App as Owner, please click "Delete and Reset" to remove the lock from your U-tec Account, then use a Reset Needle to push the Reset Button (at the bottom of Interior Assembly) for around 3 seconds until you hear one long beep and two short beeps.

If U-Bolt Pro is working as Standalone Mode, please use a Reset Needle to push the Reset Button (at the bottom of Interior Assembly) for around 3 seconds until you hear one long beep and two short beeps.

2. How to control U-Bolt Pro remotely?

U-Bolt Pro is a Bluetooth enabled smart lock. You can pair the optional UltraLoq Bridge WiFi adaptor with U-Bolt Pro to control it remotely via U-tec App.

3. What if I lost the paired smartphone?

Please go to www.u-tec.com/myutec.html or login **U-tec App** via another smartphone to change your U-tec Account password.

4. How to adjust the lock orientation of U-Bolt Pro?

The lock orientation must be adjusted after installation to ensure U-Bolt Pro works properly.

Solution 1. Adjust the lock orientation on the lock. Go to page 8 for details.

Solution 2. Adjust the lock orientation via U-tec App.

5. How can I unlock U-Bolt Pro if battery runs out?

There will be low battery alert on the lock and App when battery is low. Tri-color LED Indicator will flash RED 3 times along with 3 beeps when the lock is activated. Please replace batteries.

Solution 1. Use the backup key to unlock.

Solution 2. Connect a 5V power bank to activate the lock temporarily.

6. What's the difference between Owner, Admin, Normal User and Temporary User?

Owner is the person who owns U-Bolt Pro and registers it in U-tec App originally. Owner has all privileges.

Admin can always unlock via fingerprint, code or App. Admin can add or delete Admin and Users, control all lock settings and view logs.

Normal User can always unlock via fingerprint, code or App.

Temporary User has limited access within specific time range.

7. Does U-Bolt Pro work with accessories such as bolt from third party?

It is recommended to use the original accessories for best performance and stability.

8. What is the log capacity for U-Bolt Pro?

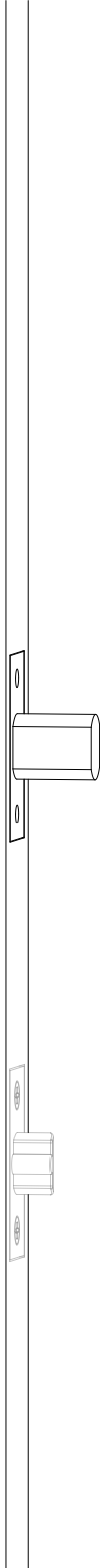
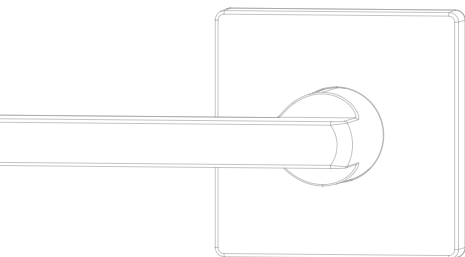
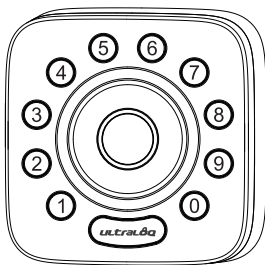
U-Bolt Pro supports maximum 1000 logs. The latest log will replace the oldest one once log is full.



Ultraloq U-Bolt Pro

Guía de Instalación y Uso

(V1.4)



ultralock

Notas Importantes

- No uses un taladro electrónico para Instalación.
- Instala y prueba la cerradura con puerta abierta para evitar ser bloqueada.
- Por favor lee todas las instrucciones antes de contactar al apoyo de clientes.
- Por favor contacta al apoyo de clientes antes de devolver el producto a la tienda.
- No instales las baterías antes de instalar la cerradura! ¡Sigue las instrucciones en orden secuencial!
- Esta cerradura es diseñada para las siguientes temperatura de operación:
Parte Exterior: -31° F (-35° C) a 158° F (70° C)
Parte Interior: -14° F (-10° C) a 131° F (55° C)
- Por favor, use batería alcalina AA y no use batería de litio o batería recargable.

Declaraciones

Para asegurar el mejor servicio, por favor registra tu cuenta en www.u-tec.com/register.html

Términos y Políticas de Ultraloq

Antes de usar cualquier producto Ultraloq, por favor lea todos los términos, reglas, políticas, y disposiciones de uso aplicables que podrá encontrar en www.u-tec.com/company/privacy. Usando su Ultraloq, usted acepta estar sujeto a la Política de Privacidad de U-tec.

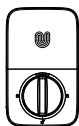
¿Necesitas Ayuda?

Para documentos técnicos y más por favor visita www.u-tec.com/support

Email: support@u-tec.com

Composiciones

Ensamble Interior



Ensamble Exterior



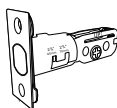
Placa de Montaje del Ensamble Interno



Contrachapa



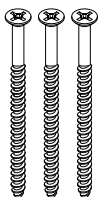
Cerrojo



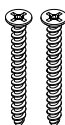
Llave de Backup



Tornillo A



Tornillo B



Tornillo C



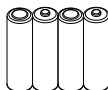
Tornillo D



Tornillo E



Baterías Alcalinas AA



Podrían no venir incluidas para algunas regiones

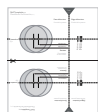
Destornillador



Guía de Uso



Plantilla de Perforación



Llave para resetear



Bridge



Opcional

Guía de Instalación

Video de Instalación



Por favor escanea este QR código para ver el video de instalación de paso a paso antes de intentar instalar UltraLoq U-Bolt Pro.

O también podrías revisar la página web directamente.

www.u-tec.com/lock/U-bolt_pro/guide

1. Preparando la puerta

Chequea las dimensiones de la puerta.

Paso 1

Mide para confirmar que el espesor de la puerta es entre $1\frac{5}{16}$ " ~ 2" (33 mm-50 mm).

Paso 2

Mide para confirmar que el diametro de agujero es $2\frac{1}{8}$ " (53 mm).

Paso 3

Mide para confirma que el backset de la puerta tiene un espesor de $2\frac{3}{8}$ " or $2\frac{3}{4}$ " (60 mm o 70 mm).

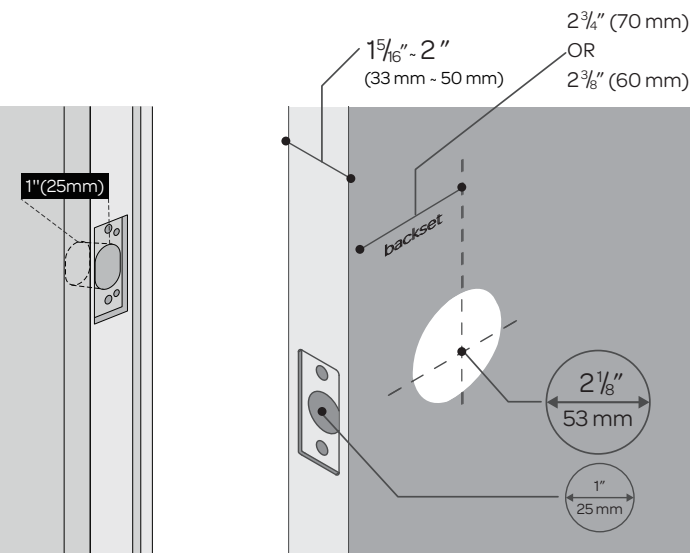
Paso 4

Mide para confirmar que el diametro del agujero en el borde de la puerta es 1" (25 mm).

Paso 5

Por favor, mida y confirme que la profundidad del agujero en el marco es menos de 1" (25 mm).

ESPAÑOL



Si tienes una puerta nueva, por favor perfora los agujeros según la plantilla de perforación.

2. Instalación de Bolt y Cerrojo

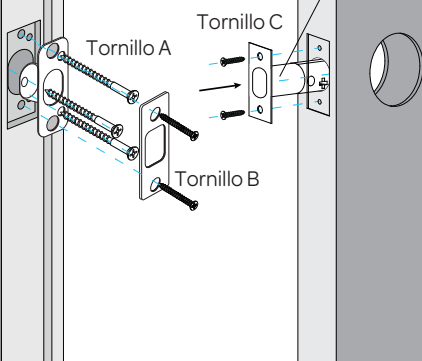
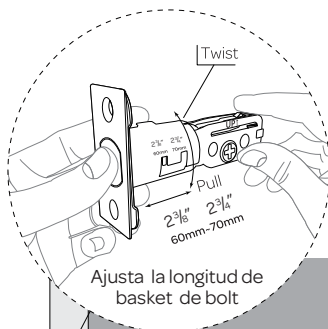
Paso 1

Instala Bolt en tu puerta. Asegúrate el UP ↑ símbolo hacia arriba.

El Bolt es para 2 3/8" backset inicialmente. Se puede ajustar a 2 3/4" si es necesario. Para ajustarlo por favor asegúrate que el Bolt está retraído, después, presiónalo, gíralo y jálalo o empujalo a la longitud que deseas.

Paso 2

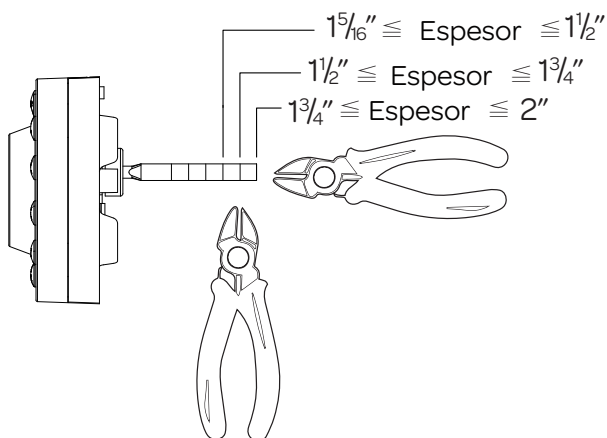
Instala Cerrojo en el marco de la puerta.



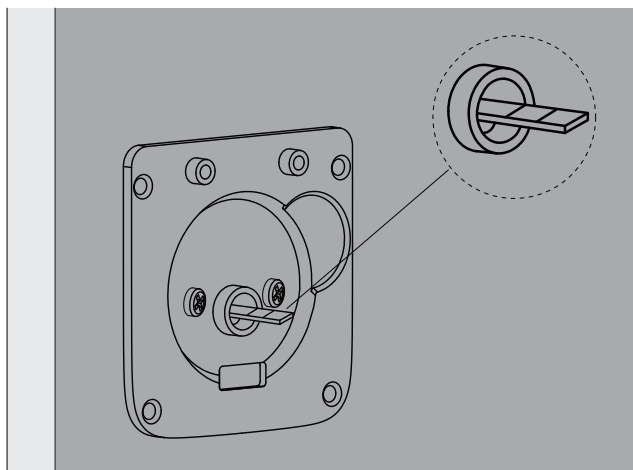
3. Instalación de ensamble Externo

Paso 1

Cuidadosamente quiebra la pieza de la cola de cilindro en la marca correspondiente al espesor de tu puerta.



Precaución: Usa dos pares de alicates como se muestra o la cola del cilindro se dañará.



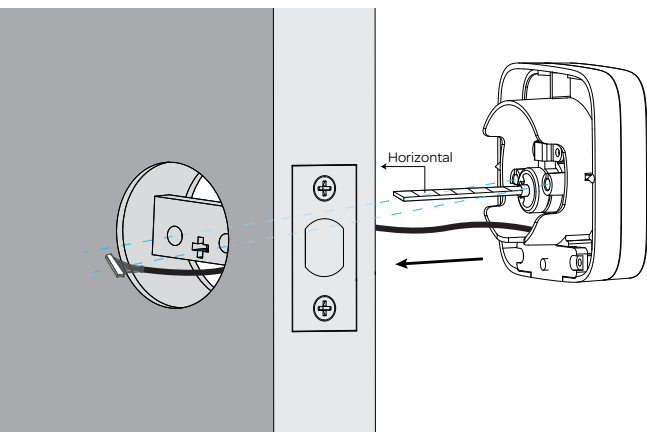
Después de instalar la placa de la cubierta, 2 piezas de la parte posterior del cilindro se debería estar expuesto al exterior del agujero de la placa de montaje del ensamblaje.

Paso 2

Mantén el Cerrojo presionado y la cola del cilindro horizontal. Instala Ensamble Externo. Por favor no instales la llave mecánica.

Paso 3

Alinea sus dos barras con dos orificios en el Cerrojo. El cable pasa por el orificio debajo del Cerrojo.



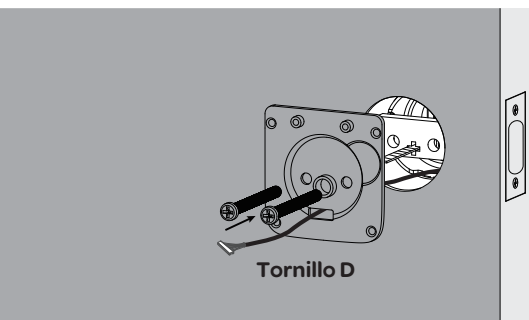
4. Instalación de Placa de Montaje del Ensamble Interno

Paso 1

Pasa el cable a través del orificio en la placa de montaje de ensamble.

Paso 2

Fija la placa de montaje del ensamble interno al ensamble externo utilizando los tornillos D.



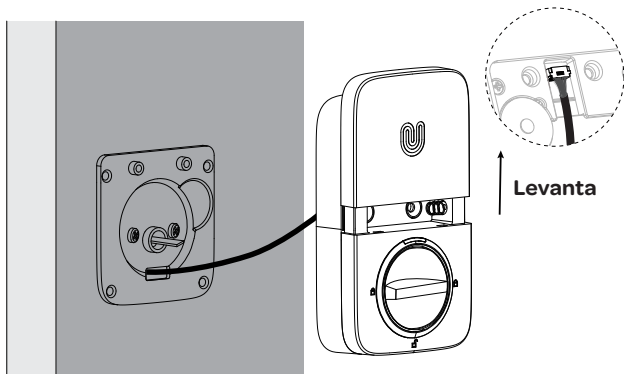
5. Instalación de Ensamble Interno

Paso 1

Remueve la tapa de baterías de Ensamble Interno.

Paso 2

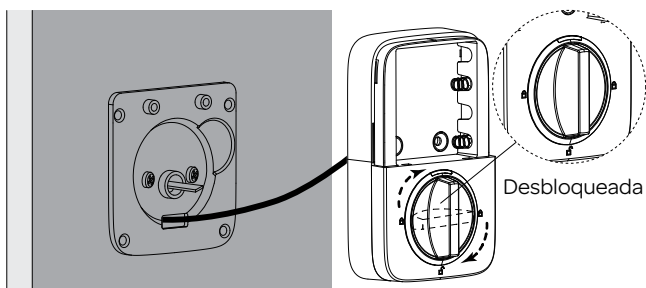
Inserta el conector del cable al enchufe en ensamble interno.
Presiona firmemente hasta que sea completamente asentado.



ESPAÑOL

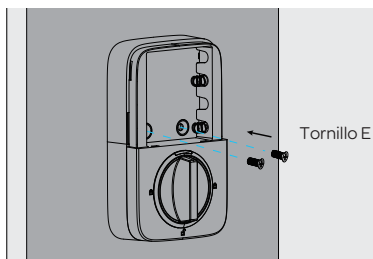
Paso 3

Gira la perilla y la manten en posición vertical para ser desbloqueada.



Paso 4

Instala el Ensamble Interno a la Placa de Montaje del Ensamble Interno y atornilla los 2 tornillos E.

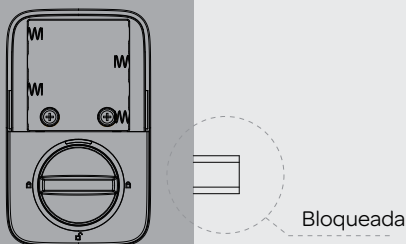


6. Instalación de baterías y Proceso de calibración de manija de puerta

Este paso te enseñará a bloquear la orientación de tu puerta y es crucial para la operación de la cerradura.

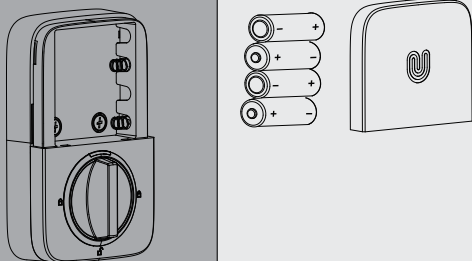
Paso 1

Gira la perilla y la mantén en posición horizontal para ser bloqueada.



Paso 2

Inserta 4 AA Baterías Alcalinas.



Nota: Cualquier código puede desbloquear U-Bolt Pro bajo modo predeterminado de fábrica.

Paso 3

Después de unos segundos, Bolt retraerá y entenderá por sí solo para aprender la orientación de la puerta. Este se llama el proceso de calibración y es crucial para la operación

Paso 4

Instala la tapa de baterías.

Guía de Uso

Video de Guía de Uso

Por favor ve nuestro fácil video de Uso de Guía de paso a paso antes de intentar usar tu Cerradura Inteligente Ultraloq U-Bolt Pro.

O también podrías revisar la página web directamente.

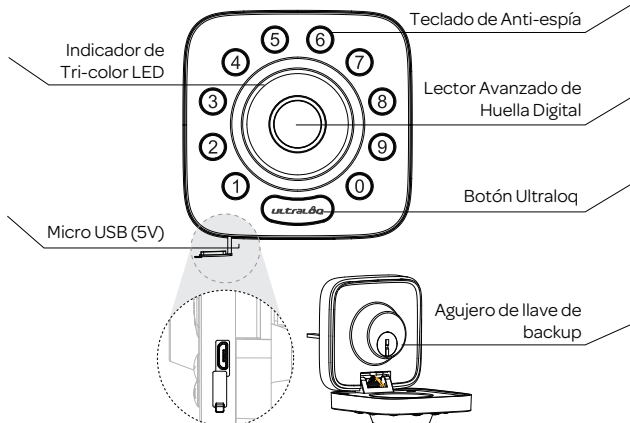
www.u-tec.com/lock/U-bolt_pro/guide



ESPAÑOL

1. Descripción del producto

1.1 Exterior



Teclado de Anti-espía

Se usa para entrar el código y desbloquear desde exterior.

Lector Avanzado de Huella Digital

Se usa para verificar tu huella y desbloquear desde exterior.

Agujero de llave de backup

Se usa para insertar la llave para desbloquear en caso urgente.

Micro USB (5V)

Se usa para conectar al cargador para activar la cerradura cuando las baterías se agotan.

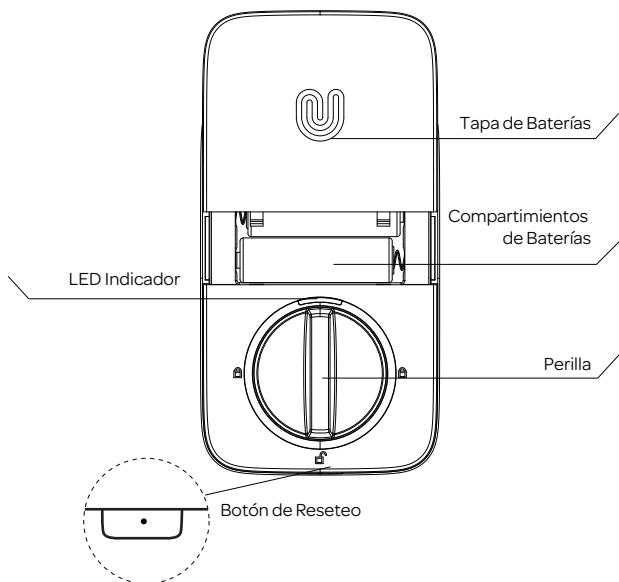
Indicador de Tri-color LED

Te muestra acceso autorizado o negado, estado de conectividad Bluetooth, estado de baterías, etc.

Botón Ultraloq

Se usa para bloquear desde exterior, iluminar el teclado para entrada con código y confirmar operación anterior, etc.

1.2 Interior



Botón de Reseteo

Se usa para resetear la cerradura a ajustes predeterminados de fábrica.

Si la cerradura se emparejó con la App, deberías hacer clic en "Eliminar" para eliminar el dispositivo de la App.

Compartimientos de Baterías

Se usa para insertar 4 baterías alcalinas AA.

Nota: Las baterías de litio pueden tener una vida más larga, pero cuando comienzan a agotar, agotan rápidamente. No las recomendamos porque no te dan mucho tiempo para cambiar tus baterías antes de que la cerradura esté completamente agotada.

Por favor, no use ninguna batería recargable.

Tapa de Baterías

Se usa para tapar baterías y etiquetas de producto.

Perilla

Se usa para desbloquear y bloquear la puerta desde interior.

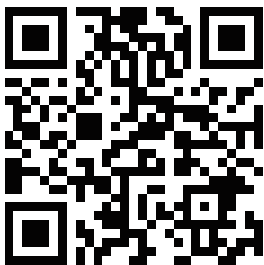
LED Indicador

Enciende cuando puerta está desbloqueada.

1.3 Alarma de batería baja

Habrás una alerta de batería baja en la cerradura y la App cuando la batería esté baja. El tricolor indicador LED destellará en ROJO 3 veces junto con 3 pitidos cuando se active la cerradura. Por favor, reemplace las baterías.

2. Configuración de Cerradura



Escanear el código QR para descargar la APP



Paso 1

Escanea sobre el código QR para descargar la App, o busca "U-tec" en App Store(iOS) y Google Play(Android).

Paso 2

Abre la App, registra cuenta de U-tec y ingresa con la cuenta.

Paso 3

Asegúrate de que la cerradura está en modo predeterminado de fábrica. Enciende Bluetooth en tu celular inteligente, quédate cerca de la cerradura(dentro de 10 pies/3 metros) y busca la cerradura en la App.

Paso 4

Empareja la cerradura en la App y empieza a usarla.

Nota: Por favor refiere a la guía en U-tec App para más información.

¿No quieres usar la APP?

Por favor ve la página 15 para guía de programación para modo Independiente.

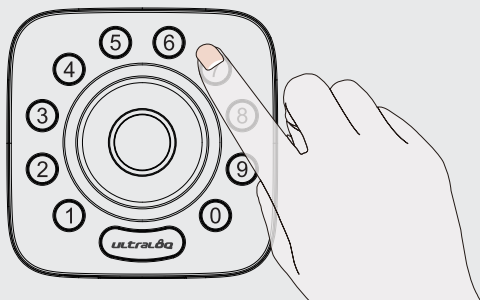
3. Uso de Tu Cerradura

3.1 Desbloqueo desde Exterior

- **Código de Usuario**

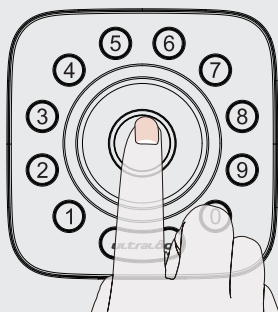
Entra código de 4-8 dígitos y apreta Botón Ultralock para desbloquear.

Nota: Puedes apretar Botón Ultralock para encender luz de fondo de teclado.



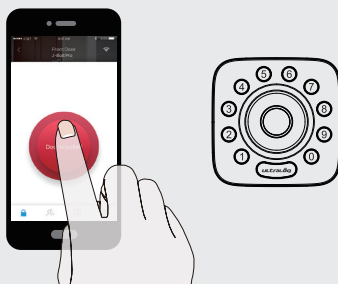
- **Huella Digital**

Coloca tu huella en lector de huella digital para desbloquear.



- **Celular**

Usa tu celular para desbloquear. Por favor refiere a la guía en U-tec App.



3.2 Bloqueo Desde Exterior

Aprieta Botón Ultraloq para bloquear manualmente. Habilita función de Auto bloqueo y la cerradura va a rebloquear automáticamente.

3.3 Desbloqueo Desde Interior

Gira la perilla a una posición vertical para desbloquear.

3.4 Reseteo de la Cerradura

Por favor date cuenta de que todos los datos se borrarán si reseteas U-Bolt Pro a ajuste predeterminado.

Si estás usando U-tec App como Dueño, por favor haz clic "Eliminar y Resetear" para remover la cerradura desde tu cuenta U-tec, luego usa una llave para resetear a pulsar el botón de reseteo (en la parte inferior de Ensemble Interno) para acerca de 3 segundos hasta que se oyen un largo pitido y dos cortos.

3.5 Reemplazar Baterías

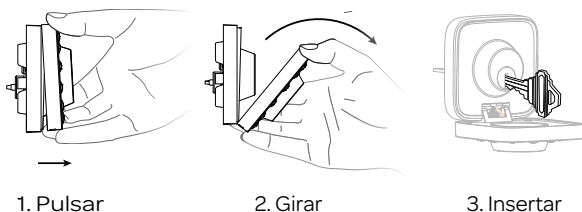
Por favor usa 4 baterías alcalinas de alta calidad para reemplazamiento cuando las baterías se agotan.

3.6 5V Energía de Emergencia

Micro USB interfaz se usa para conectar 5V cargador regular para activar la cerradura en caso de que las baterías se agotan.

3.7 Llave de Emergencia Oculta

La llave de Emergencia Oculta se usa cuando las baterías se agotan. Pulsa el panel frontal desde la parte inferior primero luego gira desde la parte superior para abrirlo. Puedes ver agujero de llave de Backup dentro. Inserta la llave y gírala para desbloquearla como las tradicionales.



Nota Importante

Por favor guarda por lo menos una llave en una ubicación segura fuera de tu casa.

3.8 Activación o desactivación del Auto Bloqueo

Habilitar

Por favor manten cerrojo desbloqueado y aprieta botón "1" 3 segundos hasta que LED se ponga verde y botón "1" parpadee.

Inhabilitar

Por favor manten cerrojo desbloqueado y apreta botón "0" 3 segundos hasta que LED se ponga verde y botón "0" parpadee.

Estos también pueden ser seteado en U-tec App y el plazo se puede configurado entre 10 segundos y 5 minutos. Ajuste determinado de fábrica es 30 segundos.

3.9 Teclado de Anti-espía

La cerradura permite códigos vagos de hasta 16 dígitos. Simplemente ingresa cualquier código de 16 dígitos, mientras el código correcto se encuentra incluido dentro de lo que ingresó, podrá abrirla.

Ejemplo
Código de Usuario: 123456

Códigos Vagos

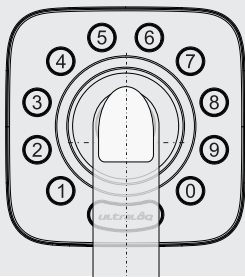
- 1: 123456XXXXXX
- 2: XXXXXX123456
- 3: XXX123456XXX

3.10 Posición de Huella

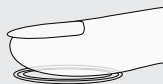
Visión Inferior



Visión Superior



Visión lateral



1. Tu dedo debe cubrir el lector de huellas dactilares completamente con un poco de presión, tocando el anillo metálico circundante.
2. Asegúrate de que tu dedo y el lector de huellas dactilares estén limpio y seco. Para el lector de huellas dactilares, usa una paño sin pelusas para limpiar la suciedad o los residuos.
3. Por favor, escanee múltiples ángulos de huella digital cuando registre su huella digital.
4. Mientras escaneas tu dedo, no debes tocar también rápidamente o mueva tu dedo alrededor.
5. Si tienes problemas para registrar un dedo, prueba con otro.

4. Guía de Programación de Modo Independiente




Se recomienda utilizar la aplicación U-tec para programar tu cerradura. Si no tienes un teléfono inteligente o no quieres usar la aplicación, puedes usar las instrucciones de programación a continuación.

Advertencia




¡El modo independiente NO está disponible después de que la cerradura ha sido registrado en App! Por favor resetea la cerradura a modo predeterminado de fábrica primero para programar la cerradura en Modo Independiente.


4.1 Añadir Código de Admin en Modo Independiente

Código de Admin debe crear primero antes de cualquier programación. Sólo está disponible un Código de Admin.

Operación	Indicador
Apreta  3 segundos	2 pitidos con luz verde parpadeando
↓	
Entra Código de Admin de 4-8 dígitos y apreta 	1 pitido con luz verde, luego la verde parpadeando
↓	
Entra el código de Admin otra vez y apreta 	2 pitidos con luz verde
↓	
Éxito	Apagan todas luces

4.2 Añadir Código de Usuario en Modo Independiente

Operación	Indicador
Apreta  3 segundos	2 pitidos con luz azul parpadeando
↓	
Entra Código de Admin de 4-8 dígitos y apreta 	2 pitidos con luz verde, luego luz azul estable
↓	
Entra Código de Usuario de 4-8 dígitos y apreta 	1 pitido con luz verde, luego luz azul estable
↓	

Entra el Código de Usuario otra vez y apreta 	2 pitidos con luz verde
--	-------------------------




Éxito	Apagan todas luces
-------	--------------------


4.3 Añadir Huella Digital en Modo Independiente

Operación

Indicador

Apreta  3 segundos	2 pitidos con luz verde parpadeando
---	-------------------------------------



Entra Código de Admin de 4-8 dígitos y apreta 	2 pitidos con luz verde, luego luz azul estable
---	---



Coloque su dedo	UltraLoq luz
-----------------	--------------



Levante y coloque su dedo	# 1 y # 2 luz
---------------------------	---------------



Levante y coloque su dedo	# 3 y # 4 luz
---------------------------	---------------



Levante y coloque su dedo	# 5 y # 6 luz
---------------------------	---------------



Levante y coloque su dedo	# 7 y # 8 luz
---------------------------	---------------



Levante y coloque su dedo	# 9 y # 0 luz
---------------------------	---------------



Éxito	2 pitidos con luz verde
-------	-------------------------

4.4 Eliminar Admin y Usuario

Por favor resetea la cerradura a Modo predeterminado de fábrica para eliminar Admin y todos los usuarios.

¿Cómo resetean la cerradura en Modo Independiente?

Por favor usa una llave para resetear a pulsar el botón de reseteo(en la parte inferior de Ensamble Interno) acerca de 3 segundos hasta que se oyen un largo pitido u dos pitidos cortos.

FAQ

1. ¿Cómo resetean U-Bolt Pro?

Por favor date cuenta de que todos los datos se borran si reseteas U-Bolt Pro a ajuste predeterminado.

Si estás usando U-tec App como Dueño, por favor haz clic "Eliminar y Resetear" para remover la cerradura desde tu cuenta U-tec, luego usa una llave para resetear a pulsar el botón de reseteo(en la parte inferior de Ensamble Interno) para acerca de 3 segundos hasta que se oyen un largo pitido y dos cortos.

Si el U-Bolt Pro está trabajando en Modo Independiente, por favor usa una llave para resetear a pulsar el botón de reseteo(en la parte inferior de Ensamble Interno) para acerca de 3 segundos hasta que se oyen un largo pitido y dos cortos.

2. ¿Cómo controlan U-Bolt Pro remotamente?

U-Bolt Pro es una cerradura inteligente con Bluetooth. Puedes emparejar el adaptador Ultraloq Bridge WiFi opcional con U-Bolt Pro para controlarla remotamente via U-tec App.

3. ¿Qué pasa si pierdo el teléfono inteligente emparejado?

Visita <https://www.u-tec.com/myutec.html> o ingresa en U-tec App a través de otro teléfono inteligente para cambiar la contraseña de tu cuenta U-tec.

4. ¿Cómo ajustan la orientación de cerradura U-Bolt Pro?

La orientación de la cerradura debe ajustarse después de la instalación para garantizar que el U-Bolt Pro funcione correctamente.

Solución 1. Ajusta la orientación de cerradura físicamente. Ve a la página 8 para más detalles.

Solución 2. Ajusta la orientación de cerradura via U-tec App.

5. ¿Cómo puedo desbloquear U-Bolt Pro si se agotan las baterías?

Habrás una alerta de batería baja en la cerradura y la aplicación cuando las baterías estén bajas. El tricolor indicador LED destellará en ROJO 3 veces junto con 3 pitidos cuando se active la cerradura. Por favor, reemplace las baterías. Por favor reemplázalas.

Solución 1. Usa la llave de backup para desbloquearla.

Solución 2. Conecta a 5V cargador para activar la cerradura temporalmente.

6. ¿Cuál es la diferencia entre Propietario, Administrador, Usuario normal y Usuario temporal?

Propietario es la persona que posee U-Bolt Pro y la registra en la App U-tec originalmente. El propietario tiene todos los privilegios.

El administrador siempre puede desbloquear mediante huella digital, código o App. El administrador puede agregar o eliminar administradores y usuarios, controlar todas las configuraciones de cerradura y ver los registros.

El usuario normal siempre puede desbloquear mediante huella digital, código o App.

El usuario temporal tiene acceso limitado dentro de un rango de tiempo específico.

7. ¿U-Bolt Pro funciona con accesorios como Bolt de terceros?


Se recomienda utilizar los accesorios originales para un mejor rendimiento y estabilidad.

8. ¿Cuál es la capacidad de registro de U-Bolt Pro?

U-Bolt Pro admite un máximo de 1000 registros. El último registro reemplazará al más antiguo una vez que esté lleno.

Keep Your Records

Manten Tus Registros

DATE FECHA	ADMIN CODE CÓDIGO DE ADMINISTRADOR	
NAME NOMBRE	USER CODE CÓDIGO DE USUARIO	
E.j Will Smith	12345678	

ESPAÑOL



ULTRALOQ

© 2019 U-tec Group Inc.
U-tec and UltraLoq brands and products are trademarked
and protected under law in the United States.
Unauthorized use is prohibited. UltraLoq is sub-brand of
U-tec Group Inc.