



# Operating Instructions and Parts Manual JBG Series Bench Grinders

Models: JBG-6A, JBG-8A, JBG-10A



*Model JBG-8A shown*

**JET**  
427 New Sanford Road  
LaVergne, Tennessee 37086  
Ph.: 800-274-6848  
www.jettools.com

**Part No. M-577101**  
Revision L 01/2016  
Copyright © 2016 JET

# Warranty and Service

JET warrants every product it sells against manufacturers' defects. If one of our tools needs service or repair, please contact Technical Service by calling 1-800-274-6846, 8AM to 5PM CST, Monday through Friday.

## Warranty Period

The general warranty lasts for the time period specified in the literature included with your product or on the official JET branded website.

- JET products carry a limited warranty which varies in duration based upon the product. (See chart below)
- Accessories carry a limited warranty of one year from the date of receipt.
- Consumable items are defined as expendable parts or accessories expected to become inoperable within a reasonable amount of use and are covered by a 90 day limited warranty against manufacturer's defects.

## Who is Covered

This warranty covers only the initial purchaser of the product from the date of delivery.

## What is Covered

This warranty covers any defects in workmanship or materials subject to the limitations stated below. This warranty does not cover failures due directly or indirectly to misuse, abuse, negligence or accidents, normal wear-and-tear, improper repair, alterations or lack of maintenance. JET woodworking machinery is designed to be used with Wood. Use of these machines in the processing of metal, plastics, or other materials outside recommended guidelines may void the warranty. The exceptions are acrylics and other natural items that are made specifically for wood turning.

## Warranty Limitations

Woodworking products with a Five Year Warranty that are used for commercial or industrial purposes default to a Two Year Warranty. Please contact Technical Service at 1-800-274-6846 for further clarification.

## How to Get Technical Support

Please contact Technical Service by calling 1-800-274-6846. **Please note that you will be asked to provide proof of initial purchase when calling.** If a product requires further inspection, the Technical Service representative will explain and assist with any additional action needed. JET has Authorized Service Centers located throughout the United States. For the name of an Authorized Service Center in your area call 1-800-274-6846 or use the Service Center Locator on the JET website.

## More Information

JET is constantly adding new products. For complete, up-to-date product information, check with your local distributor or visit the JET website.

## How State Law Applies

This warranty gives you specific legal rights, subject to applicable state law.

## Limitations on This Warranty

JET LIMITS ALL IMPLIED WARRANTIES TO THE PERIOD OF THE LIMITED WARRANTY FOR EACH PRODUCT. EXCEPT AS STATED HEREIN, ANY IMPLIED WARRANTIES OF MERCHANTABILITY AND FITNESS FOR A PARTICULAR PURPOSE ARE EXCLUDED. SOME STATES DO NOT ALLOW LIMITATIONS ON HOW LONG AN IMPLIED WARRANTY LASTS, SO THE ABOVE LIMITATION MAY NOT APPLY TO YOU.

JET SHALL IN NO EVENT BE LIABLE FOR DEATH, INJURIES TO PERSONS OR PROPERTY, OR FOR INCIDENTAL, CONTINGENT, SPECIAL, OR CONSEQUENTIAL DAMAGES ARISING FROM THE USE OF OUR PRODUCTS. SOME STATES DO NOT ALLOW THE EXCLUSION OR LIMITATION OF INCIDENTAL OR CONSEQUENTIAL DAMAGES, SO THE ABOVE LIMITATION OR EXCLUSION MAY NOT APPLY TO YOU.

JET sells through distributors only. The specifications listed in JET printed materials and on official JET website are given as general information and are not binding. JET reserves the right to effect at any time, without prior notice, those alterations to parts, fittings, and accessory equipment which they may deem necessary for any reason whatsoever. JET® branded products are not sold in Canada by JPW Industries, Inc.

## Product Listing with Warranty Period

90 Days – Parts; Consumable items
1 Year – Motors; Machine Accessories
2 Year – Metalworking Machinery; Electric Hoists, Electric Hoist Accessories; Woodworking Machinery used for industrial or commercial purposes
5 Year – Woodworking Machinery
Limited Lifetime – JET Parallel clamps; VOLT Series Electric Hoists; Manual Hoists; Manual Hoist Accessories; Shop Tools; Warehouse & Dock products; Hand Tools; Air Tools

NOTE: JET is a division of JPW Industries, Inc. References in this document to JET also apply to JPW Industries, Inc., or any of its successors in interest to the JET brand.

# Table of Contents

Warranty and Service .....	2
Table of Contents .....	3
Warnings.....	4
Introduction .....	6
Specifications .....	6
Unpacking .....	7
Contents of the Shipping Container .....	7
Assembly .....	8
Assembling the Spark Guard and Eye Shield Mounting Brackets.....	8
Installing the Spark Guard and Eye Shield Mounting Brackets.....	9
Tool Rests .....	9
Eye Shields.....	9
Mounting the Grinder .....	9
Electrical .....	10
Electrical Requirements .....	10
Electrical Connections.....	10
Extension Cords.....	10
Operation .....	11
Switch.....	11
Precautions.....	11
Adjustments .....	11
Eye Shield Tilt Adjustment.....	11
Spark Guard .....	11
Tool Rest .....	11
Maintenance.....	12
Ring Test .....	12
Care of Grinding Wheel.....	12
Changing Wheels.....	12
Grinding Wheels .....	13
Wire Wheel Brushes .....	13
Cleaning .....	13
Lubrication.....	13
Troubleshooting.....	14
Parts and Assembly for JBG Series Grinders.....	15
Parts List.....	15
Assembly Drawing .....	18
Wiring Diagram.....	19
Ordering Replacement Parts.....	20

The specifications in this manual are given as general information and are not binding. JET reserves the right to effect, at any time and without prior notice, changes or alterations to parts, fittings, and accessory equipment deemed necessary for any reason whatsoever.



# Warnings

1. For your own safety read instruction manual before operating grinder.
2. Read and understand the entire owner's manual before attempting assembly or operation.
3. Read and understand the warnings posted on the machine and in this manual. Failure to comply with all of these warnings may cause serious injury.
4. Replace the warning labels if they become obscured or removed.
5. This bench grinder is designed and intended for use by properly trained and experienced personnel only. If you are not familiar with the proper and safe operation of a bench grinder, do not use until proper training and knowledge have been obtained.
6. Do not use this bench grinder for other than its intended use. If used for other purposes, JET disclaims any real or implied warranty and holds itself harmless from any injury that may result from that use.
7. Wear eye protection and always use guards and eye shields.
8. Always wear approved safety glasses/face shields while using this bench grinder. Everyday eyeglasses only have impact resistant lenses; they are not safety glasses.
9. Before operating this bench grinder, remove tie, rings, watches and other jewelry, and roll sleeves up past the elbows. Remove all loose clothing and confine long hair. Non-slip footwear or anti-skid floor strips are recommended. Do **not** wear gloves.
10. Wear ear protectors (plugs or muffs) during extended periods of operation.
11. Some dust created by power sanding, sawing, grinding, drilling and other construction activities contain chemicals known to cause cancer, birth defects or other reproductive harm. Some examples of these chemicals are:
  - Lead from lead based paint.
  - Crystalline silica from bricks, cement and other masonry products.
  - Arsenic and chromium from chemically treated lumber.Your risk of exposure varies, depending on how often you do this type of work. To reduce your exposure to these chemicals, work in a well-ventilated area and work with approved safety equipment, such as face or dust masks that are specifically designed to filter out microscopic particles.
12. Do not operate this machine while tired or under the influence of drugs, alcohol or any medication.
13. Make certain the switch is in the **OFF** position before connecting the machine to the power supply.
14. Make certain the machine is properly grounded.
15. Make all machine adjustments or maintenance with the machine unplugged from the power source.
16. Remove adjusting keys and wrenches. Form a habit of checking to see that keys and adjusting wrenches are removed from the machine before turning it on.
17. **KEEP GUARDS IN PLACE** and in working order at all times when the machine is in use. If removed for maintenance purposes, use extreme caution and replace the guards immediately.
18. Make sure the bench grinder is firmly secured to the floor or bench before use.
19. Check damaged parts. Before further use of the machine, a guard or other part that is damaged should be carefully checked to determine that it will operate properly and perform its intended function. Check for alignment of moving parts, binding of moving parts, breakage of parts, mounting and any other conditions that may affect its operation. A guard or other part that is damaged should be properly repaired or replaced.
20. Provide for adequate space surrounding work area and non-glare, overhead lighting.

# Warnings

21. Make your workshop child proof with padlocks, master switches or by removing starter keys.
22. KEEP WORK AREA CLEAN. Cluttered areas and benches invite accidents.
23. DON'T USE IN DANGEROUS ENVIRONMENT. Don't use power tools in damp or wet locations, or expose them to rain. Keep work area well lighted. Keep the floor around the machine clean and free of scrap material, oil and grease.
24. Keep visitors a safe distance from the work area. **Keep children away.**
25. Give your work undivided attention. Looking around, carrying on a conversation and "horse-play" are careless acts that can result in serious injury.
26. Use only flanges furnished with the grinder.
27. Maintain a balanced stance at all times so that you do not fall or lean against the grinding wheels or other moving parts. Do not overreach or use excessive force to perform any machine operation.
28. Use grinding wheel suitable for speed of grinder. Do not force a tool or attachment to do a job for which it was not designed. The right tool will do the job better and safer.
29. DISCONNECT TOOLS before servicing; when changing accessories, such as blades, bits, cutters, and the like. Use recommended accessories. Consult the owner's manual for recommended accessories. The use of improper accessories may cause risk of injury to persons. Improper accessories may be hazardous.
30. Frequently clean grinding dust from beneath grinder. MAINTAIN TOOLS WITH CARE. Keep tools sharp and clean for best and safest performance. Follow instructions for lubricating and changing accessories.
31. Make sure the work piece is securely attached or clamped to the table. Never use your hand to hold the work piece.
32. Turn off the machine before cleaning. Use a brush or compressed air to remove chips or debris — do not use your hands.
33. Do not stand on the machine. Serious injury could occur if the machine tips over.
34. Never leave the machine running unattended. Turn the power off and do not leave the machine until it comes to a complete stop.
35. Remove loose items and unnecessary work pieces from the area before starting the machine.
35. DON'T FORCE TOOL. It will do the job better and safer at the rate for which it was designed.

**Familiarize yourself with the following safety notices used in this manual:**



This means that if precautions are not heeded, it may result in minor injury and/or possible machine damage.



This means that if precautions are not heeded, it may result in serious injury or possibly even death.

**-- SAVE THESE INSTRUCTIONS --**

## Introduction

This manual is provided by JET covering the safe operation and maintenance procedures for the JET JBG Series Bench Grinders. This manual contains instructions on installation, safety precautions, general operating procedures, maintenance instructions and parts breakdown. This machine has been designed and constructed to provide consistent, long-term operation if used in accordance with instructions set forth in this manual. If there are any questions or comments, please contact either your local supplier or JET. JET can also be reached at our web site: [www.jettools.com](http://www.jettools.com).

## Specifications

Model .....	JBG-6A.....	JBG-8A.....	JBG-10A.....
Stock Number:.....	577101.....	577102.....	577103.....
Overall Dimension (L x H x D/in):.....	18 x 10-1/2 x 8-1/2.....	19 x 12-1/2 x 10.....	24-1/2 x 12-1/4 x 13.....
Wheel Size (D x W x Bore /in):.....	6 x 3/4 x 1/2.....	8 x 1 x 5/8.....	10 x 1 x 1.....
Wheels Included/Grit: .....	36 & 60.....	36 & 60.....	24 & 46.....
Motor:.....	1/2HP, 120V, 1Ph.....	1HP, 120V, 1Ph.....	1-1/2HP, 120V, 1Ph.....
Motor RPM.....	3,450.....	3,450.....	1,750.....
Gross Weight (LBS):.....	38.....	60.....	119.....

The above specifications were current at the time this manual was published, but because of our policy of continuous improvement, JET reserves the right to change specifications at any time and without prior notice, without incurring obligations.

**▲WARNING** Read and understand the entire contents of this manual before attempting assembly or operation! Failure to comply may cause serious injury

# Unpacking

Separate all parts from the packing material. Check each part against the *Contents of the Shipping Container* and make certain that all items are accounted for before discarding any packing material.

## Contents of the Shipping Container

- 1 Bench Grinder (not shown)
- 1 Hardware (contents listed below)

### Hardware

- 1 ea Bracket - Left (A)
- 2 ea Lock Knob (B)
- 1 ea Bracket - Right (C)
- 1 ea Spark Guard - Left (D)
- 2 ea 1/4" x 1/2" Screw (E)
- 1 ea Spark Guard - Right (F)
- 2 ea Eye Shield Bracket Plate (G)
- 4 ea 5/16" x 3/4" Hex Cap Screw (H)
- 4 ea 5/16" Flat Washer (J)
- 4 ea 3/16" x 3/8" Pan Head Screw (K)
- 4 ea 1/4" x 3/8" Hex Cap Screw (L)
- 6 ea 1/4" Flat Washer (M)
- 2 ea 1/4" Lock Washer (N)
- 1 ea Tool Rest - Left (O)
- 1 ea Tool Rest - Right (P)
- 2 ea Eye Shields (Q)

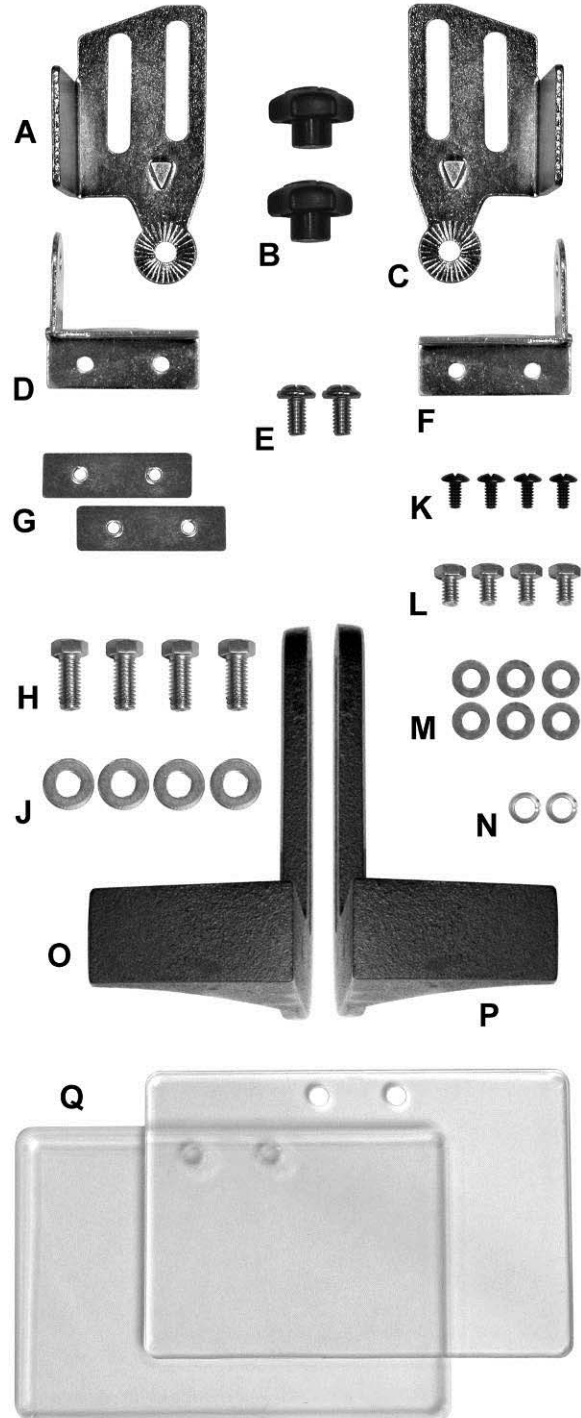


Figure: Hardware

### Tools Required for Assembly

- 10mm and 12mm Wrenches
- No. 1 or No. 2 Cross Point Screwdriver

## Assembly

Your bench grinder requires only the assembly of the eye shields and tool rests. For your safety, do not plug the grinder into a power source until all adjustments are complete. An adjustable wrench and a Phillips screwdriver are the only tools you will need to make all normal adjustments and wheel changes on this grinder.

**⚠WARNING** Be sure that the bench grinder is unplugged and the power switch is in the OFF position.

**⚠WARNING** Do not plug in the grinder to power until it is inspected for shipping damage, fully assembled, and moved to its permanent location! Failure to comply may cause serious injury!

**⚠WARNING** Do not operate this grinder without all guards and shields in place and in working order! Failure to comply may cause serious injury!

**⚠WARNING** Chipped or cracked wheels can break up and cause serious damage to the grinder and/or severe injury to the operator! Regularly inspect wheels for damage!

### Assembling the Spark Guard and Eye Shield Mounting Brackets

Parts needed:

- 2 Brackets (D) (see Note)
- 2 Lock Knobs (A)
- 2 Spark Guards (C) (see Note)
- 2 1/4" x 1/2" Screws (F)
- 2 1/4" Flat Washers (B)
- 2 1/4" Lock Washers (E)

**Note:** Brackets (D) and spark guards (C) are marked **L** (G, Fig. 1) for left side assembly and **R** for right side assembly.

1. Assemble the left *spark guard and eye shield mounting bracket* using Figure 1 as a guide. Make sure the spark guard and bracket is marked **L**.
2. Assemble the right assembly in the same manner.

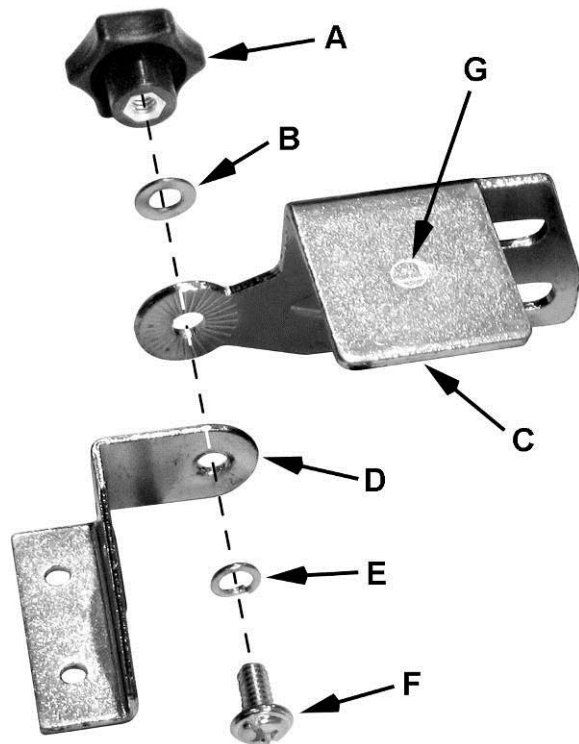


Figure 1



## Installing the Spark Guard and Eye Shield Mounting Brackets

Refer to Figure 2:

Parts needed:

- 2 Spark Guard and Eye Shield Brackets assembled from previous page
- 4 1/4" x 3/8" Hex Cap Screws (E)
- 4 1/4" Flat Washers (F)

1. Install the left *spark guard and mounting bracket* (A) to the left *wheel housing* (M) with two 1/4" x 3/8" *hex cap screws* (E) and two 1/4" *flat washers* (F).

The *spark guards* (A<sub>1</sub>) should be adjusted to within 1/16" of the grinding wheel surface or other accessory being used.

2. Install the right spark guard and mounting bracket in the same manner.

**Note:** As the wheel wears down, the spark guards must be re-adjusted to maintain the 1/16" distance.

## Tool Rests

Refer to Figure 2:

Parts needed:

- 2 Tool Rest Left (J) and Right (not shown)
- 4 5/16" x 3/4" Hex Cap Screws (C)
- 4 5/16" Flat Washers (D)

**Note:** There is a *left* and a *right* tool rest. Refer to Figure 1 to ensure that you install them correctly.

1. Install the *left tool rest* (J) by threading two 5/16" x 3/4" *hex cap screws* (C) through two 5/16" *flat washers* (D) and the *tool rest* (J) into the *wheel housing* (M).

The tool rests should be adjusted to within 1/16" of the grinding wheel or other accessories being used. As the wheel wears down, the tool rest must be re-adjusted to maintain a 1/16" clearance.

2. Install the *right tool rest* in the same manner.

## Eye Shields

Refer to Figure 2.

Parts needed:

- 4 3/16" x 3/8" Pan Head Screws (H)
- 2 Eye Shields (L)
- 2 Eye Shield Bracket Plates (G)

The *eye shields* (L) are identical and will fit on either side of the grinder.

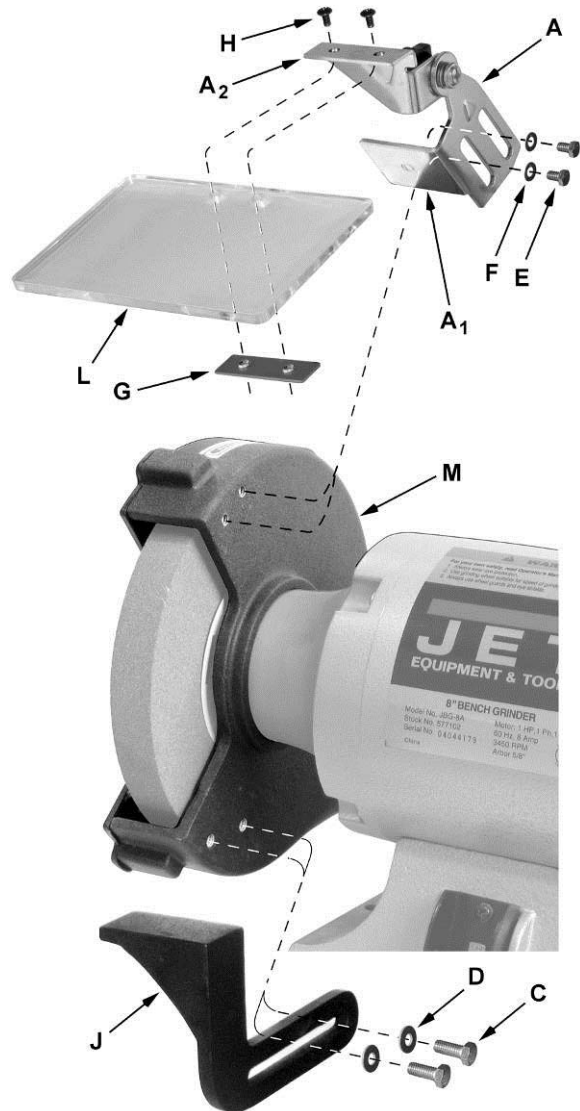


Figure 2

To install eye shields (refer to Figure 2):

Insert two 3/16" x 3/8" *pan head screws* (H) through the *mounting plate* (A<sub>2</sub>), *eye shield* (L), and *bracket plate* (G) containing threaded mounting holes.

Tighten the *screws* (H).

## Mounting the Grinder

To prevent the grinder from moving during operation, it should be securely mounted to a work surface or grinder stand.

1. Align the mounting holes on the grinder with predrilled holes in a bench or grinder stand.
2. Insert bolts through the holes and tighten, using washers and nuts (not included).

# Electrical

## Electrical Requirements

When connecting the bench grinder to the power source outlet, the outlet must be properly grounded to protect the operator from electrical shock.

In the event of a malfunction or breakdown, grounding provides a path of least resistance for electrical current to reduce the risk of electrical shock. This machine is equipped with an electric cord having an equipment-grounding conductor-outlet that is properly installed and grounded in accordance with all local codes and ordinances.

This grinder is equipped with a power cord. Improper connection of the equipment grounding conductor can result in a risk of electric shock. The conductor with insulation having an outer surface that is green (with or without yellow stripes) is the equipment -grounding conductor. If repair or replacement of the electric cord or plug is necessary, do not connect the equipment-grounding conductor to a live terminal.

Plug power cord into a 110-120V properly grounded outlet protected by a 14-amp fuse or circuit breaker.

**⚠ WARNING** Do not touch the prongs of the power cord plug when plugging or unplugging to or from an outlet.

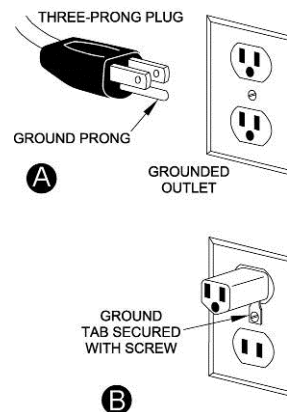
**⚠ WARNING** If improperly grounded, this power tool can cause serious injury from electrical shock, particularly when used in damp locations or near plumbing. If an electrical shock occurs, there is the potential of a secondary hazard such as your hands coming in contact involuntarily with the rotating grinder.

## Electrical Connections

The JBG series bench grinders are rated at 120V, 1Ph. These grinders are designed for use on a circuit with an outlet that looks the one shown in Fig. A. and have a grounding prong, also shown in Fig. A. A temporary adapter (Fig. B) may be used to connect the plug to a two-prong receptacle (Fig. B) if a properly grounded outlet is not available. A temporary adapter should only be used until a properly grounded outlet can be installed by a qualified electrician. **This adapter is not applicable in Canada.** The green colored lug must be fastened to the cover plate screw.

**Important:** The adapter illustrated in Fig. B is for use only if you already have a *properly grounded* two-prong receptacle. Do not modify the plug provided-if it will not fit the outlet, have the proper outlet installed by a qualified electrician. Check with a qualified electrician or service personnel if the grounding instructions are not completely understood, or if in doubt as to whether the tool is properly grounded.

**⚠ WARNING** Before plugging into the power source, be sure that power switch is in the OFF position.



## Extension Cords

Use only three-wire extension cords that have three-prong grounding type plugs and three-prong receptacles that accept the tool's plug. Replace or repair damaged or worn core immediately.

**USE PROPER EXTENSION CORD.** Make sure your extension cord is good condition. When using an extension cord, be sure to use one heavy enough to carry the current your product will draw. An undersized cord will cause a drop in line voltage resulting in loss of power and overheating. Table 1 shows the correct size to use depending on cord length and nameplate ampere rating. If in doubt, use the next heavier gage. The smaller the gage number, the heavier the cord.

Amp Rating	Volts	Total length of cord in feet			
	120V 240V	25	50	100	150
		50	100	200	300
		AWG			
0 – 6		18	16	16	14
6 – 10		18	16	14	12
10 – 12		16	16	14	12
12 – 16		14	12	not rcmd	not rcmd

Table 1

## Operation

A bench grinder is designed for hand-grinding operations such as sharpening chisels, screwdrivers, drill bits, removing excess metal, and smoothing metal surfaces.

A *Medium Grain Abrasive Grinding Wheel* is suitable for rough grinding where a considerable amount of metal must be removed or when obtaining a smooth finish is not important.

A *Fine Grain Abrasive Grinding Wheel* should be used for sharpening tools of grinding to close size tolerances because it removes metal more gradually for precision grinding and gives work a smooth finish.

**⚠️WARNING** Always use approved safety glasses or face shields! Failure to comply may cause serious injury!

## Switch

The switch is located on the front of the grinder near the bottom. To turn the tool on, depress the rocker switch at the top near the word **ON**. To turn the tool off, depress the bottom part of the rocker switch near the word **OFF**.

## Precautions

Before starting the grinder, turn the wheels by hand making sure they are clear of obstructions and that they turn freely. The tool rests and spark guards should not touch the wheel.

Turn on the grinder and allow it to reach full running speed before starting to grind.

Keep a steady, moderate pressure on the workpiece and keep it moving at an even pace for smooth grinding. Pressing too hard overheats the motor and prematurely wears down the grinding wheels. Note the original bevel angle on the item to be sharpened and try to maintain the same shape. The grinding wheel should rotate into the object being sharpened. Keep a tray filled with water and dip your work into it regularly to prevent overheating. Overheating can weaken metals.

Do not use the side of the grinding wheel; this puts dangerous stress on the wheel.

When the wheel becomes loaded or dull, use an approved grinding wheel dresser and dress the wheel face.

Keep the *tool rest* and *spark guard* to within 1/16" of the grinding wheel. See the *Adjustment* section to adjust.

## Adjustments

### Eye Shield Tilt Adjustment

1. Loosen *lock knob* (A<sub>1</sub>, Fig. 3).
2. Adjust *eye shield* to the desired tilt angle (A<sub>2</sub>, Fig. 3).

### Spark Guard

As the wheel wears down, the spark guards must be re-adjusted to maintain a 1/16" distance.

To adjust:

1. Loosen two *hex cap screws* (B<sub>1</sub>, Fig. 3) with a 10mm wrench.
2. Slide the spark guard (B<sub>2</sub>, Fig. 3) to 1/16" distance from the grinding wheel surface.
3. Tighten screw (B<sub>1</sub>, Fig. 3).

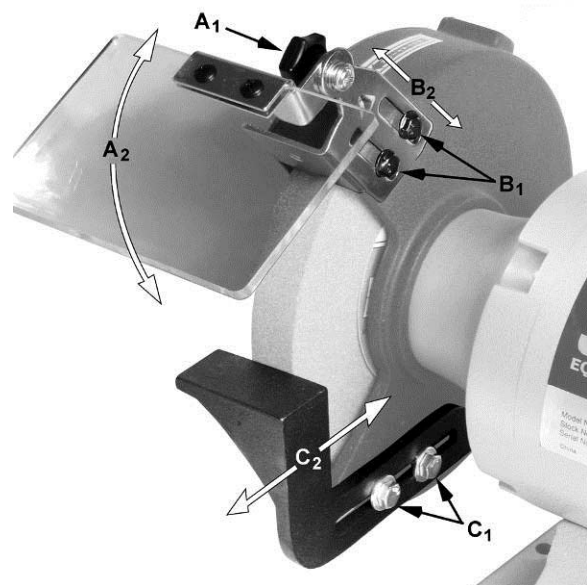


Figure 3

### Tool Rest

As the wheel wears down, the tool rests must be re-adjusted to maintain a 1/16" distance.

1. Loosen two hex cap screws (C<sub>1</sub>, Fig. 3) with a 12mm wrench.
2. Slide the tool rest (C<sub>2</sub>, Fig. 3) to a distance of 1/16" from the grinding wheel.
3. Tighten screws (C<sub>1</sub>, Fig. 3).

## Maintenance

For safety, turn the switch to OFF and remove plug from the power source outlet before adjusting and maintaining the bench grinder. If the power cord is worn, cut or damaged in any way, have it replaced immediately.

### Ring Test

Before replacing a grinding wheel, perform this simple test on the replacement wheel:

1. Loop a piece of string through the grinding wheel hole and suspend the wheel by holding up the string.
2. Tap the wheel with a piece of scrap wood or a wooden dowel.

A good wheel will "ring"; a defective wheel will "thud". Discard any wheel that does not "ring". An internal defect may not be apparent by visual inspection alone. The ring test may uncover an internal crack or void.

### Care of Grinding Wheel

In normal use, grinding wheels may become cracked, grooved, rounded at the edges, chipped, out of true or loaded with foreign material.

Cracked wheels should be replaced IMMEDIATELY. While any of the other conditions can be remedied with a dressing tool (available at most hardware stores), new wheels sometimes require dressing to make them round.

### Changing Wheels

If you must replace a wheel be sure to obtain one with a safe rated speed at least as high as the *NO LOAD RPM* marked on the grinder's nameplate. Refer to Table 2 to determine correct dimensions for the replacement wheel.

Model	Wheel Diameter	Maximum Width	Center Hole
JBG-6A	6"	3/4"	1/2"
JBG-8A	8"	1"	5/8"
JBG-10A	10"	1"	1"

Table 2

Your bench grinder will accept most polishing and buffing wheels available at dealers and hardware stores.

**⚠WARNING** The use of any other accessory is not recommended and may result in serious injury!

To change a wheel (refer to Figure 4):

1. Disconnect grinder from the power source.
2. Loosen the *spark guard* (A) and *tool rest* (B) (refer to the Adjustment section on page 11) and move the spark guard and tool rest away from the wheel.
3. Remove the guard cover using a Phillips or flathead screwdriver.
4. Stabilize the wheel by holding the opposite wheel firmly.
5. Unscrew the *wheel nut* (C) with a 1" wrench.

**Note:** Turn the locking nut on the right-hand wheel counterclockwise to loosen. Turn the locking nut on the left-hand wheel clockwise to loosen.

6. Remove the outer flange (D) and wheel (E).
7. Clean flanges. Check the flanges to make sure they are flat. Wheel flanges that are not flat will cause the wheel to wobble.
8. Put the inner flange, wheel (E), outer flange (D) and nut (C) on the shaft. Tighten the nut. Do not over tighten. This may cause the wheel to crack.
9. Replace the guard cover. Adjust the spark guards and tool rests to a 1/16" clearance from the wheel (see *Adjustments on page 11*).

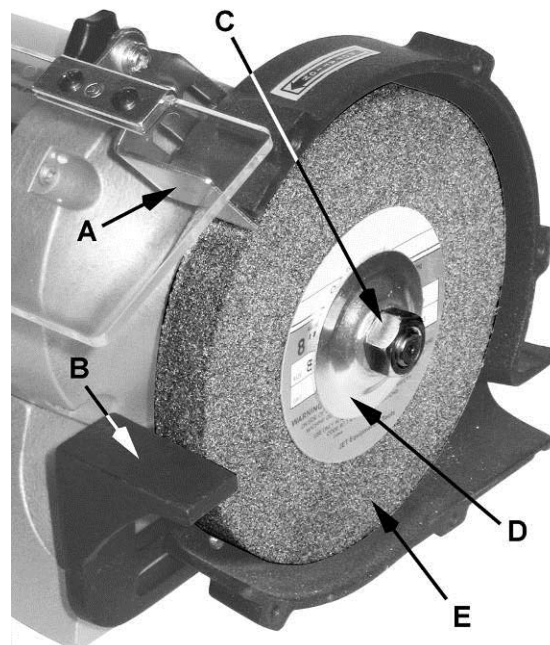


Figure 4

## Grinding Wheels

The JET Series bench grinders come equipped with general purpose grinding wheels. Wheels vary according to types of abrasive, hardness, grit size, and structure. JET carries a full line of abrasive grinding, carbide grinding, tool sharpening, and wire wheels. Contact your local distributor for the proper grinding wheel or wire wheel brush for your application.

## Wire Wheel Brushes

Wire brushing provides a fast way to remove rust scale, burrs, and point from metal. Use coarse wire brushes for hard cleaning jobs. Use fine wire brushes for polishing and finish work. When the brush tips become dull, reverse the brush on the grinder.

## Cleaning

**CAUTION** Metal shavings may still be hot from recent grinding operations. Make sure shavings and debris are cold before cleaning the grinder.

Brush all shavings from the motor housing, tool rests, and wheel guards. Check grinding wheels for cracks and chips. Replace if damaged.

**CAUTION** Avoid the use of the following cleaning chemicals or solvents: gasoline, carbon tetrachloride, chlorinated solvents, ammonia and household detergents containing ammonia.

## Lubrication

All motor bearings are permanently lubricated at the factory and require no additional lubrication.

## Troubleshooting

Problem	Probable Cause	Remedy
Motor will not start	Not plugged into receptacle	Plug it into the power source receptacle
	Switch not in the <b>ON</b> position	Turn the switch to the ON position
	Motor cord cut or abraded	Replace with a new cord
	Plug on cord is faulty	Replace with a new plug
	Fuse or circuit breaker open	Re-set, may be too many machines on line
	Motor faulty	Call JET Customer Service Department
Motor will not start and fuse or circuit breaker opens	Too many electrical machines running on the same outlet	Turn off other machines and try again
	Incorrect fuse	Try time delay fuse, or go to circuit with higher rated fuse of circuit breaker
	Wheels cannot rotate because of obstruction	Unplug and turn grinding wheel by hand
	Undersized extension cord	Use correct size extension cord; see manual
	Short circuit	Cord, plug, or motor need repair; call JET Customer Service Dept.
Motor fails to develop full power	Low line voltage	Check power line for proper voltage
	Faulty motor or capacitor	Call JET Customer Service Dept.
Motor overheats	Overload on motor	Reduce load to motor; do not press so hard
	Poor ventilation for motor	Unplug and clean out around motor; provide better air circulation
	Capacitor failure	Call JET Customer Service Dept.
Motor stalls or slows	Motor overload	Reduce load to motor; do not press so hard
	Low line voltage	Check power line for proper voltage
	Loose wire connections	Call JET Customer Service Dept.
	Faulty motor	Call JET Customer Service Dept.
Frequent fuse or circuit breaker failure	Motor overload	Reduce load to motor; do not press so hard
	Overload of electrical circuit	Too many electrical appliances on same circuit
	Incorrect fuse of circuit breaker	Have electrician upgrade service to outlet

# Parts and Assembly for JBG Series Grinders

## Parts List

Index No	Part No	Description	Size	Qty
1	JBG6A-02P	Shaft and Rotor Assembly		1
	JBG8A-02P	Shaft and Rotor Assembly		1
	JBG10A-02P	Shaft and Rotor Assembly		1
3	JBG6A-03	Stator Assembly		1
	JBG8A-03	Stator Assembly		1
	JBG10A-03	Stator Assembly		1
5	JBG6A-05G	Motor Housing		1
	JBG8A-05G	Motor Housing		1
	JBG10A-05G	Motor Housing		1
6	JBG6A-06G	Base		1
	JBG8A-06G	Base		1
	JBG10A-06G	Base		1
7	JBG6A-07	Cross Screw	1/4 x 7/8	4
	JBG10A-07	Cross Screw	5/16 x 1	4
8	TS-0720071	Lock Washer	1/4	4
	TS-0720081	Lock Washer	5/16	4
9	TS-0561011	Hex Nut	1/4	4
	TS-0570021	Hex Nut	5/16	4
10	JBG6A-10	Fan		1
	JBG8A-10	Fan		1
	JBG10A-10	Fan		1
11	BB-6202ZZ	Ball Bearing (JBG-6A)		2
	BB-6204ZZ	Ball Bearing (JBG-8A)		2
	BB-6206ZZ	Ball Bearing (JBG-10A)		1
12	JBG6A-12G	Cover		2
	JBG8A-12G	Cover		2
	JBG10A-12G	Cover		2
	JBG10A-14	Flat Washer (JBG-10A only – not shown)		4
15	JBG6A-15	Screw	3/16 x 5/8	4
	JBG10A-15	Screw	1/4 x 7/8	4
16	JBG6A-16B	Inner Wheel Guard – left (serial #15070001 and higher)		1
	JBG8A-16B	Inner Wheel Guard – left (serial #15060001 and higher)		1
	JBG10A-16B	Inner Wheel Guard – left (serial #15090001 and higher)		1
17	JBG6A-17B	Inner Wheel Guard – right (serial #15070001 and higher)		1
	JBG8A-17B	Inner Wheel Guard – right (serial #15060001 and higher)		1
	JBG10A-17B	Inner Wheel Guard – right (serial #15090001 and higher)		1
	JBG10A-18	Flat Washer (JBG-10A only – not shown)		4
19	JBG6A-19	Cross Screw	1/4 x 1/2	4
20	JBG6A-20	Wheel Flange	1/2 I.D	4
	JBG8A-20	Wheel Flange	5/8 I.D	4
	JBG10A-20	Wheel Flange	1 I.D	4
21	576208	Grinding Wheel	6" x 3/4", 46 grit	1
	576220	Grinding Wheel	8" x 3/4", 46 grit	1
	576228	Grinding Wheel	10" x 1", 46 grit	1
21A	576206	Grinding Wheel	6" x 3/4", 24 grit	1
	576219	Grinding Wheel	8" x 3/4", 24 grit	1
	576226	Grinding Wheel	10" x 1", 24 grit	1
22	JBG6A-22	Nut - left hand thread	1/2	1
	JBG8A-22	Nut - left hand thread	5/8	1
	JBG10A-22	Nut - left hand thread		1
23	JBG6A-23	Nut - right hand thread	1/2	1
	JBG8A-23	Nut - right hand thread	5/8	1
	JBG10A-23	Nut - right hand thread		1

## Parts List

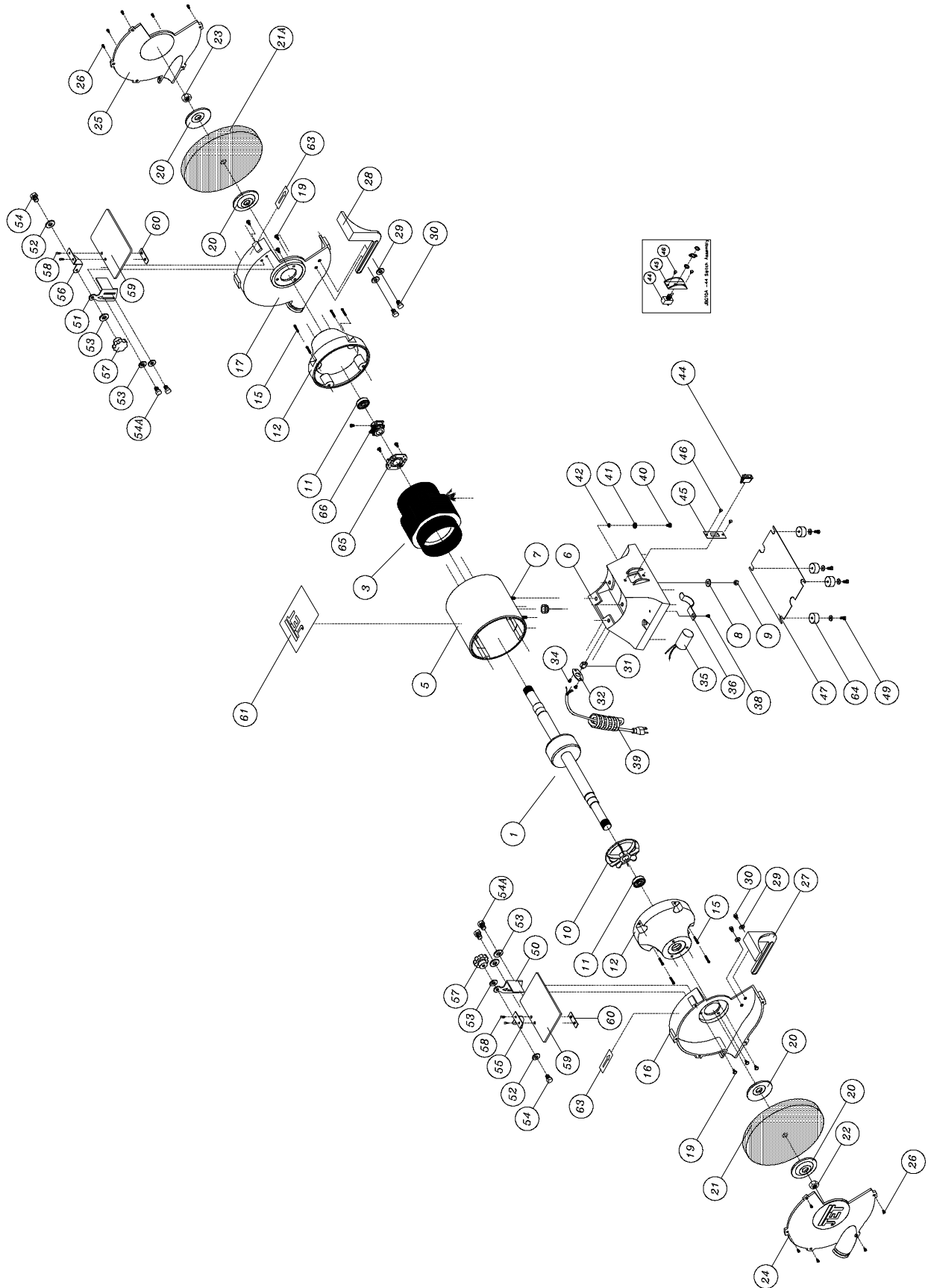
Index No	Part No	Description	Size	Qty
24	JBG6A-24B	Outer Wheel Guard – left (serial #15070001 and higher)		1
	JBG8A-24P	Outer Wheel Guard – left		1
	JBG10A-24B	Outer Wheel Guard – left (serial #15090001 and higher)		1
25	JBG6A-25B	Outer Wheel Guard – right (serial #15070001 and higher)		1
	JBG8A-25P	Outer Wheel Guard – right		1
	JBG10A-25B	Outer Wheel Guard – right (serial #15090001 and higher)		1
26	JBG6A-26	Cross Screw	1/4 x 1/2	8
27	JBG6A-27	Tool Rest - left		1
	JBG8A-27	Tool Rest - left		1
	JBG10A-27	Tool Rest - left		1
28	JBG6A-28	Tool Rest - right		1
	JBG8A-28	Tool Rest - right		1
	JBG10A-28	Tool Rest - right		1
29	TS-0680031	Flat Washer	5/16	4
30	TS-0051031	Hex Cap Bolt	5/16 x 3/4	4
31	JBG6A-31	Rubber Guide		1
	JBG8A-31	Rubber Guide		1
	JBG10A-31	Rubber Guide		1
32	JBG6A-32	Cord Plate		1
	JBG8A-32	Cord Plate		1
	JBG10A-32	Cord Plate		1
	JBG10A-33	Star Washer (JBG-10A only – not shown)		2
34	JBG6A-34	Cross Screw	3/16 x 1/4	2
35	JBG6A-35	Condenser (125 VAC, 100MFD)		1
	JBG8A-35	Condenser (125 VAC, 200MFD)		1
	JBG10A-35	Condenser (125 VAC, 300MFD)		1
36	JBG6A-36	Bracket		1
	JBG8A-36	Bracket		1
	JBG10A-36	Bracket		1
38	JBG6A-38	Screw	3/16 x 1/4	1
39	JBG6A-39	Power Cord		1
	JBG8A-39	Power Cord		1
	JBG10A-39	Power Cord		1
40	JBG6A-40	Cross Screw	3/16 x 3/8	1
41	JBG6A-41	Star Washer	3/16	1
42	JBG6A-42	Clip		1
	JBG8A-42	Clip		1
	JBG10A-42	Clip		1
	JBG10A-43	Hex Nut (JBG-10A only – not shown)		2
44	JBG6A-44	Switch		1
	JBG8A-44	Switch		1
	JBG10A-44	Switch (w/ JBG10A-45)		1
45	JBG6A-45	Switch Plate		1
	JBG8A-45	Switch Plate		1
	JBG10A-45	Switch Plate (re:JBG10A-44)		1
46	JBG6A-46	Screw	3/16 x 1/4	2
47	JBG6A-47	Base Plate		1
	JBG8A-47	Base Plate		1
	JBG10A-47	Base Plate		1
49	JBG6A-49	Cross Screw	3/16 x 1/2	4
	JBG8A-49	Cross Screw	3/16 x 1/2	4
	JBG10A-49	Cross Screw	1/4 x 1/2	4
50	JBG6A-50	Eye Shield Plate - left		1
	JBG8A-50	Eye Shield Plate - left		1
	JBG10A-50	Eye Shield Plate - left		1



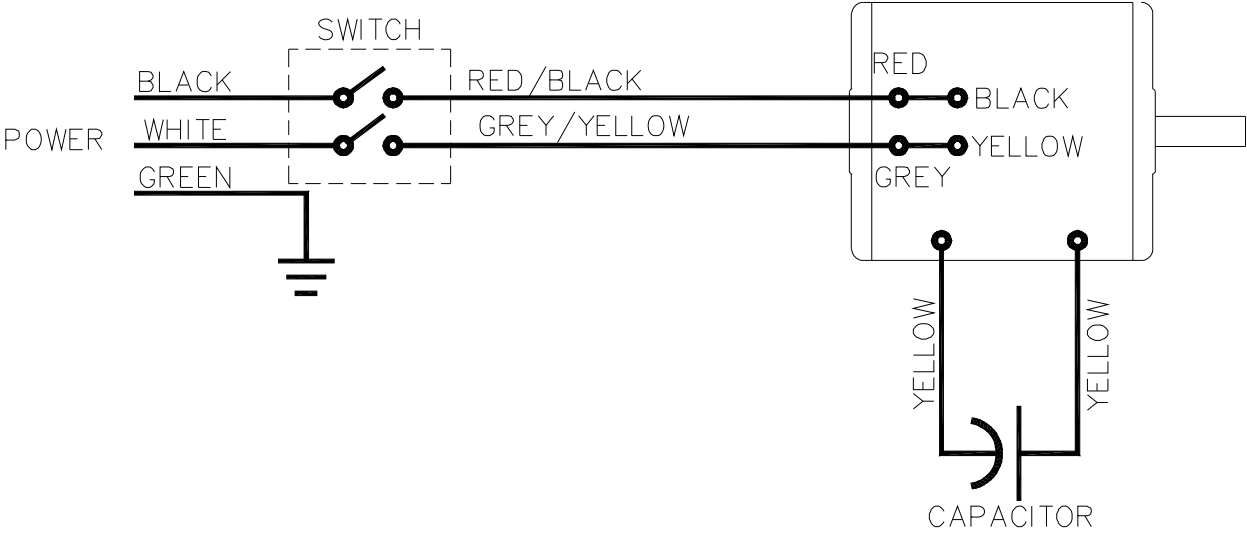
## Parts List

Index No	Part No	Description	Size	Qty
51	JBG6A-51	Eye Shield Plate - right		1
	JBG8A-51	Eye Shield Plate - right		1
	JBG10A-51	Eye Shield Plate - right		1
52	TS-0720071	Lock Washer	1/4	2
53	TS-0680021	Flat Washer	1/4	6
54	JBG6A-54	Cross Screw	1/4 x 1/2	2
	JBG8A-54	Cross Screw	1/4 x 1/2	2
	JBG10A-54	Screw		4
54A	JBG6A-54	Cross Screw	1/4 x 3/8	4
55	JBG6A-55	Eye Shield Plate - left		1
	JBG8A-55	Eye Shield Plate - left		1
	JBG10A-55	Eye Shield Plate - left		1
56	JBG6A-56	Eye Shield Plate - right		1
	JBG8A-56	Eye Shield Plate - right		1
	JBG10A-56	Eye Shield Plate - right		1
57	JBG6A-57	Lock Hub (JBG-6A/8A)	1/4	2
58	JBG6A-58	Cross Screw	3/16 x 3/8	4
59	JBG6A-59	Eye Shield		2
	JBG6A-59A	Eye Shield Assembly		2
	JBG8A-59	Eye Shield		2
	JBG8A-59A	Eye Shield Assembly		2
	JBG10A-59	Eye Shield		2
	JBG10A-59A	Eye Shield Assembly		2
60	JBG6A-60	Eye Shield Bracket Plate		2
	JBG10A-60	Eye Shield Bracket Plate		2
61	JBG6A-61	Identification Label		1
	JBG8A-61	Identification Label		1
	JBG10A-61	Identification Label		1
63	JBG6A-63	Direction Label		2
64	JBG6A-64	Rubber Foot (6A/8A)		4
	JBG10A-64	Rubber Foot		4
65	JBG6A-65	Switch Seat		1
	JBG8A-65	Switch Seat		1
	JBG10A-65	Switch Seat		1
66	JBG6A-66	Centrifugal Start Switch		1
	JBG8A-66	Centrifugal Start Switch		1
	JBG10A-66	Centrifugal Start Switch		1

# Assembly Drawing



# Wiring Diagram



115V

## Ordering Replacement Parts

To order parts or reach our service department, call 1-800-274-6848 Monday through Friday, 8:00 a.m. to 5:00 p.m. CST. Having the Model Number and Serial Number of your machine available when you call will allow us to serve you quickly and accurately.



427 New Sanford Road  
LaVergne, Tennessee 37086  
Phone: 800-274-6848  
[www.jettools.com](http://www.jettools.com)