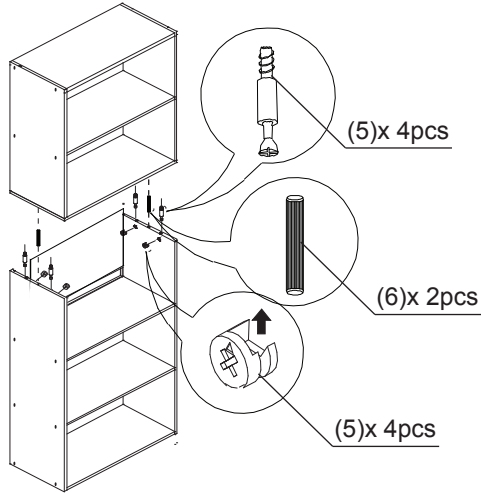


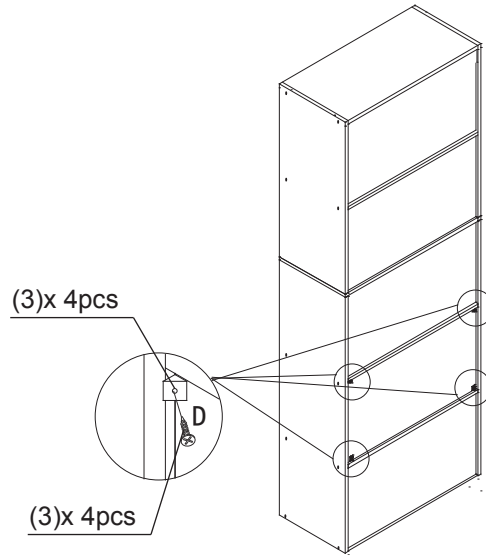
STEP 5

Combine assembled unit in Step 2 and Step 4 using Cam-Lock Screw/ Nut (5) and Long Dowel (6).

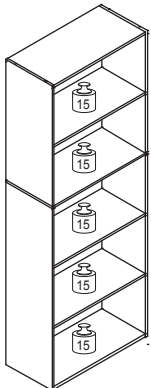


STEP 6

6.1 Attach L-Support/ Screw (3) to the back of assembled unit.
6.2 Cover screw head with Sticker (4).



Recommended Maximum Weight



*Unit in Pound(lbs)

WARNING:

>This unit has been designed to support the maximum loads shown. Exceeding these load limits could cause sagging, instability, product collapse, and/or serious injury.

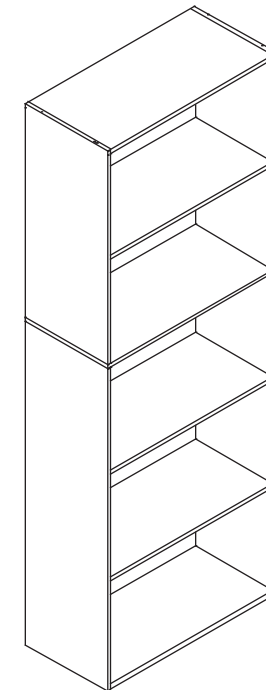
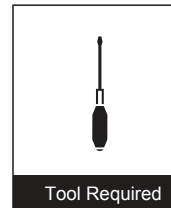
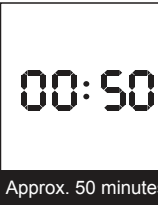
>DO NOT allow children to climb on unit.

>Put heavier items on lower shelves.



Assembly Instruction

Furinno 5-Tier Open Shelf Bookcase
MODEL : 11055WH-GR/PI/LBL













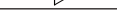




Customer Support

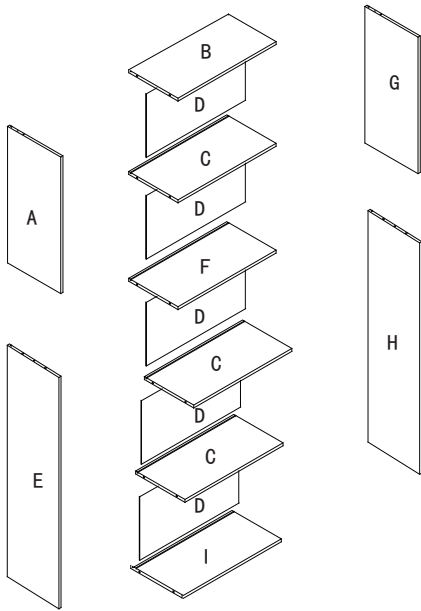
NEED HELP? For replacement requests or product inquiries, please contact our Customer Service Team by emailing us at support@furinno.com. Thank you for selecting Furinno!

www.furinno.com



No	Hardware List	Qty
1	Screw 	24pcs
2	Dowel 	20pcs
3	L-Support/ Screw 	4pcs
4	Sticker 	20pcs
5	Cam-Lock Screw/ Nut 	4pcs
6	Long Dowel 	2pcs

No	Parts List	Qty
A	Left SideTop Panel 	1pc
B	Top Panel 	1pc
C	Shelf Panel 	3pcs
D	Back Panel 	5pcs
E	Left Bottom Panel 	1pc
F	Center Shelf Panel 	1pc
G	Right Side Top Panel 	1pc
H	Right Bottom Panel 	1pc
I	Bottom Panel 	1pc

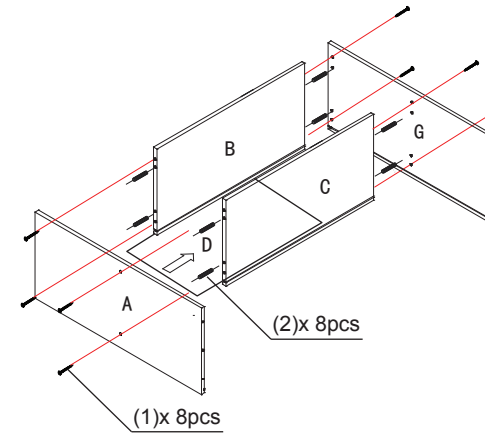


USEFUL HINTS BEFORE YOU START:

1. Read each step carefully before starting.
2. It is important that each step is performed in correct order to avoid difficulties.
3. Identify, sort and count the parts before assembly.
4. Assemble your furniture on packaging cardboard to prevent scratch or damage.
5. Clean the product with mild cleanser using soft damped cloth. Do not use harsh or abrasive cleanser.
6. Using incompatible hardware might cause damage to product.

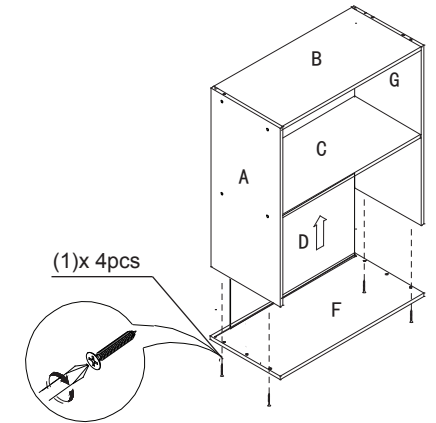
STEP 1

Attach Left and Right Side Top Panel (A)(G) to Top Panel (B), Shelf Panel (C) and Back Panel (D) using Screw (1) and Dowel (2), as shown.



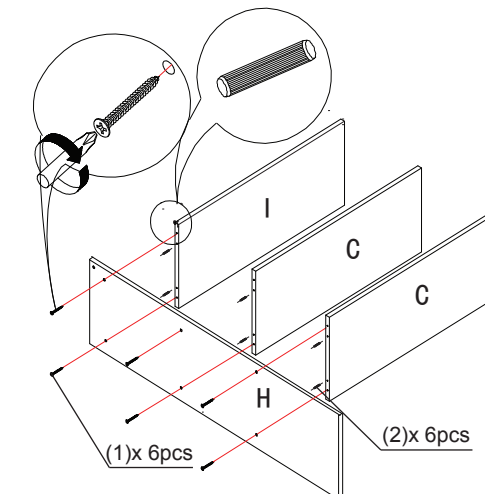
STEP 2

- 2.1 Insert Back Panel (D) to Left and Right Side Top Panel (A)(G).
- 2.2 Attach Center Shelf Panel (F) to assembled unit using Screw (1).



STEP 3

Attach Right Bottom Panel (H) to Bottom Panel (I) and Shelf Panel (C) using Screw (1) and Dowel (2), as shown.



STEP 4

- 4.1 Insert Back Panel (D) to Step 3 assembled unit.
- 4.2 Attach Left Bottom Panel (E) to assembled unit using Screw (1) and Dowel (2), as shown.

