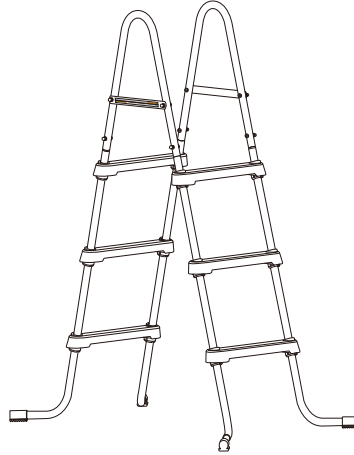


SUMMER WAVES® POOL LADDER

FOR ABOVE GROUND SWIMMING POOLS

36" / 42" / 48" / 52" Models



READ AND KEEP THESE INSTRUCTIONS FOR FUTURE REFERENCE

For answers to common questions, setup videos and troubleshooting tips, please visit support.polygroupstore.com or call Customer Service: (888) 919-0070

DO NOT RETURN PRODUCT TO STORE

To order parts and accessories, please visit www.polygroupstore.com

Should you encounter a problem with your Polygroup® Product, please DO NOT return the product to the place of purchase. All Warranty claims must be made directly to Polygroup®. Prior to contacting Customer Service, please first review the Troubleshooting Guide in the Installation Manual, or review the FAQ and instructional videos at support.polygroupstore.com. If you are still unable to correct the problem, please contact Polygroup® Customer Service at (888) 919-0070. Please have the product type, model number and your purchase receipt ready, so that our Customer Service Representative can assist you in resolving the problem. You may be asked to return all or part of the product for inspection and/or repair. Do not return any product to Polygroup® without a Return Merchandise Authorization number.

LIMITED WARRANTY

Polygroup® Trading Limited, (hereinafter "Polygroup®") warrants to the original purchaser only, the Pool Ladder against defects in material and workmanship for 90 days from the date of purchase. Original Purchaser must retain proof of such purchase in the form of an original store sales receipt and must produce such upon request by Polygroup® or its designated agents. Warranty claims cannot be processed without a valid proof of purchase.

This Limited Warranty applies only to the original purchaser of the product and is limited solely to the repair or replacement of the product, to be decided in Polygroup®'s sole discretion. Consequential damages, including claims for loss of water, pool chemicals, damage, or labor are not covered under this Limited Warranty.

This Warranty will be declared invalid should the Purchaser modify or repair the product themselves or by unauthorized persons; use non-Polygroup® parts or accessories with the product; use the product in contravention of the manufacturer's Instructions; use improper voltage; abuse the product in any way; or through accident or negligence. Normal wear-and-tear is not covered under this Warranty, nor are acts of God outside the control of Polygroup®.

IN NO EVENT SHALL Polygroup®, THEIR AUTHORIZED AGENTS, RELATED ENTITIES, OR EMPLOYEES BE LIABLE TO THE BUYER OR ANY OTHER PARTY FOR DIRECT OR CONSEQUENTIAL DAMAGES. Some states or countries, or other jurisdictions do not allow the exclusion or limitation of incidental or consequential damages, so the above limitation or exclusion may not apply to you.

TABLE OF CONTENTS

Warnings	3 ~ 5
Parts List	6 ~7
Setup Instructions	7 ~ 9
Maintenance	9

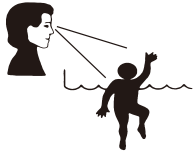
IMPORTANT SAFETY INSTRUCTIONS

When installing and using this product, basic safety precautions should always be followed, including the following :

READ AND FOLLOW ALL INSTRUCTIONS

Keep for Future Reference. Failure to follow these warnings and instructions can result in serious injury or death to users, especially children

WARNING



DANGER

PREVENT DROWNING!

CLOSELY WATCH CHILDREN WHO ARE IN OR NEAR THIS POOL. CHILDREN UNDER 5 ARE AT HIGHEST RISK FOR DROWNING. EMPTY POOL OR PREVENT ACCESS WHEN NOT IN USE.

NO DIVING!
SHALLOW WATER
YOU CAN BREAK
YOUR NECK AND BE
PARALYZED.

WARNING

**DO NOT SIT ON
OR LAY OVER
POOL WALL**
YOU CAN BE PERMANENTLY
INJURED.

AVOID ENTRAPMENT!
STAY AWAY FROM DRAINS & SUCTION
FITTINGS. YOUR HAIR, BODY & JEWELRY
CAN GET SUCKED INTO DRAIN. YOU COULD
BE HELD UNDER WATER & DROWN. DO NOT
USE POOL IF DRAIN OR SUCTION OUTLET
COVER IS MISSING OR BROKEN.

Very Important

- **LADDER WEIGHT LIMIT IS 150KG.**
- LOOSE HARDWARE WILL RESULT IN LADDER FAILURE.
- The ladder will fail if the Machine Screw **7**, Washer **8**, Lock Washer **9**, and Cap Nut **10** holding the handrails to the ladder legs are not properly installed.

NOTICE: Additional Safety Info is molded into each Ladder Tread. Please take some time to become familiar with this info.

To prevent entrapment or drowning do not swim through, behind, or around ladder. No diving/No jumping from ladder - Shallow Water! Remove and secure ladder when pool is not occupied. To reduce the risk of injury, do not permit children to use this product unless they are closely supervised at all times.

Safety Care for Children

1. Children, especially children younger than five years, are at high risk of drowning. Drowning occurs silently and quickly and can occur in as little as 2 in (5 cm.) of water.
2. Keep children in your direct sight, stay close, and actively supervise them when they are in or near this pool and when you are filling and emptying this pool.
3. When searching for a missing child, check the pool first, even if the child is thought to be in the house.
4. Locate pumps and filters in such a way that children cannot climb on them and gain access to the pool.

Swimming Pool Awareness

1. The pool is to be assembled by an adult; care should be taken in the unpacking and assembly of the pool, this pool may contain accessible potentially hazardous sharp edges or sharp points that are a necessary part of the function of the pool.
2. If a drain or suction outlet cover is missing or broken, do not use the pool. Suction can cause body part entrapment, hair and jewelry entanglement, evisceration, or drowning. Repair or replace the drain or suction outlet cover before allowing the pool to be used.
3. During nighttime pool use, artificial lighting shall be used to illuminate all safety signs, ladders, steps, deck surfaces and walks.
4. The floor of the pool shall be visible at all times from the outside perimeter of the pool.
5. Post a list of emergency telephone numbers such as the nearest available police, fire, ambulance and/or rescue unit. These numbers are to be kept near the telephone, which is closest to the pool.
6. Basic lifesaving equipment, including one of the following should be on hand at all times:
 - A light, strong, rigid pole (shepherd's crook) not less than twelve feet (12') [366 cm] long.
 - A minimum one-fourth inch (1/4") [6.35 mm] diameter rope as long as one and one half (1 1/2) times the maximum width of the pool or fifty feet (50') [15.24 meters], whichever is less, which has been firmly attached to a Coast Guard-approved ring buoy having an outside diameter of approximately fifteen inches (15") [38.1 cm], or similarly approved flotation device.
7. The pool is subject to wear and deterioration. If not maintained properly, certain types of excessive or accelerated deterioration can lead to failure of the pool structure that might release large quantities of water that could cause bodily harm and property damage.
8. Never allow horseplay, diving or jumping into or around the pool. Serious injury, paralysis or death could result when this rule is disregarded. **DO NOT ALLOW** anyone to swim alone without supervision.
9. Keep your pool clean and clear. The deepest part of pool must be visible at all times from the outside barrier of the pool.

Should you encounter any problems, contact Customer Service at (888) 919-0070 from 8AM to 5PM MST, Monday-Friday.
Extended operating days and hours during peak season requirements.

Ladder

1. The ladder shall be located on a solid base and the ladder shall be installed per the manufacturer's instructions.
2. One person on the ladder/stair at a time.
3. This ladder is designed and manufactured for a specific pool wall height and/or deck of the pool.
4. For entry/exit of pool, face the ladder at all times.
5. To prevent entrapment or drowning do not swim through, behind, or around ladder.
6. Remove and secure ladder when pool is not occupied.
7. Instruct pool users about the proper use of all pool ladder(s) and staircases.
8. Check all nuts and bolts regularly to ensure that the ladder stays sturdy.

Drowning Risk

1. Keep unsupervised children from accessing the pool by installing fencing or other approved barrier around all sides of pool. State or local laws or codes may require fencing or other approved barriers. Check state or local laws and codes before setting up pool.
2. Remove pool ladders before leaving the pool. Children as young as 2 years have climbed up ladders and into pools and drowned.
3. Toys, chairs, tables or similar objects that a young child could climb shall be at least four feet (4') [121.92 cm] from the pool. The pump filter system shall be positioned so as to prevent it from being used as a means of access to the pool by young children. Do not leave toys inside pool when finished using, since toys and similar items might attract a child to the pool.
4. Position furniture (for example, tables, chairs) away from pool and so that children cannot climb on it to gain access to the pool.

Diving Risk

1. Above ground/onground residential swimming pools are for swimming and wading only. No diving boards, slides or other equipment are to be added to an above ground/onground pool that in any way indicates that an above ground/onground pool may be used or intended for diving or sliding purposes.
2. Do not dive into this pool. Diving into shallow water can result in a broken neck, paralysis, or death.

First Aid

1. Keep a working phone and a list of emergency numbers near the pool.
2. Become certified in cardiopulmonary resuscitation (CPR). In the event of an emergency, immediate use of CPR can make a lifesaving difference.

Special Warning

1. Local building codes may require obtaining a building or electrical permit. Installer shall follow regulations on setback, barriers, devices and other conditions.
2. Safety signs shall comply with requirements of ANSI-Z535 and to use signal wording.
3. DO NOT attempt to assemble this pool in adverse weather conditions, windy conditions or when the temperature is below 60°F.
4. This is a storable pool, which should be disassembled and stored when temperatures are expected to fall below 32°F.

Extra Safety Warning

1. Adult supervision is always required.
2. Parents should learn CPR.
3. Keep all electrical radios, speakers and other appliances away from the swimming pool.
4. Keep all breakable objects out of the pool area.
5. Do not install on a deck or other surface at, above, or slightly below the top rail of the pool.
6. Do not allow diving, climbing, sitting, or standing on the top rails of the pools.
7. Do not allow roughhousing and horseplay.
8. Install a pool ladder(s) or staircase for entry and exit from the pool.
9. Face ladder going up or down.
10. Please contact pool site dealer or manufacturer for additional safety signs if deemed necessary.
11. For pool service, select a certified pool professional. For additional safety information, see www.APSP.org

Consumer Awareness Booklets and Information Source

Contact: U.S. Consumer Product Safety Commission at www.cpsc.gov/safety-education/safety-guides/pools-and-spas, Pub. #362 "Safety Barrier Guidelines for Home Pools."

1. The Sensible Way to Enjoy Your Aboveground/Onground Swimming Pool.
2. Children Aren't Waterproof.
3. Layers of Protection.
4. Pool and Spa Emergency Procedures for Infants and Children.
5. Be Safety Aware.

Copies of the above brochures are available free from the APSP at www.APSP.org

Safety Education Programs and Materials

Educational programs and materials (i.e., seminars, workshops, brochures, videos, instructional guides) are available from the APSP, other aquatic safety groups, and by private firms. As a means of communicating useful safety information to pool owners/operators, and users, industry members are permitted to provide such information to owners/operators and to request or require owners/operators to sign a statement that they have received, read, and will follow the guidelines.

Other sources of safety information:

- www.cdc.gov
- www.cpsc.gov
- www.drowningpreventionalliance.com
- www.nspf.org
- www.safekids.org

ANSI American National Standards Institute

25 West 43rd Street, New York NY 10036
 Contact: 212-642-4900
www.ansi.org

APSP Association of Pool & Spa Professionals

(formerly National Spa and Pool Institute)
 2111 Eisenhower Avenue, Ste. 500
 Alexandria VA 22314-4679
 Contact: 703-838-0083
www.apsp.org

ASME American Society of Mechanical Engineers

Two Park Avenue, New York NY 10016-5990
 Contact: 800-843-2763 (U.S. & CANADA) or 973-882-1170 (International)
www.asme.org
 NSPI National Spa and Pool Institute (see APSP)

UL Underwriters Laboratories

333 Pfingsten Road, Northbrook IL 60062-2096
 Contact: 847-272-8800
www.ul.com

NSF NSF International

P.O. Box 130140
 789 N. Dixboro Road
 Ann Arbor MI 48105
 Contact: 800-673-6275 or 734-769-8010
www.nsf.org

ASTM ASTM International (formerly American Society of Testing & Materials)

100 Barr Harbor Drive, P.O. Box C700 West Conshohocken, PA 19428-2959
 Contact: 877-909-2786 (USA & CANADA) or 610-832-9585 (International)
 610-832-9555 (fax)
www.astm.org

NEC National Electrical Code (see NFPA)

NFPA National Fire Protection Association
 1 Batterymarch Park, Quincy MA 02169-7471
 Contact: 800 344-3555 (U.S. & Canada) or 617 770-3000 (International)
www.nfpa.org

Risk of Drowning, Entrapment, and Diving Accidents









Publications are available that describe the risk of drowning, entrapment, and diving accidents. Available publications related to pool safety include the Association of Pool and Spa Professionals' (APSP) booklets entitled: The Sensible Way to Enjoy Your Aboveground/Onground Swimming Pool, Children Aren't Waterproof, Pool and Spa Emergency Procedures for Infants and Children, Layers of Protection, and the latest published edition of ANSI/APSP-8 Model Barrier Code for Residential Swimming Pools, Spas, and Hot Tubs.

Installer Responsibilities




All of these components shall be positioned so as to prevent their being used as a means of access to the pool by young children.
 (See the barrier Code for Residential Swimming Pools, Spas, and Hot Tubs.)

PARTS LIST

- THIS LADDER IS DESIGNED AND MANUFACTURED FOR THE SPECIFIC POOL WALL HEIGHT.
- REMOVE AND SECURE THE LADDER WHEN POOL IS NOT OCCUPIED!
- CHECK THE COLOR CODES INDICATED ON THE LADDER WARNING BRACKETS ① FOR REPLACEMENT PARTS ORDERING.

Key	Description	Color Code	36" Pool Wall Height		42" Pool Wall Height		48" Pool Wall Height		52" Pool Wall Height	
			Part #	Qty.	Part #	Qty.	Part #	Qty.	Part #	Qty.
① 	Ladder Leg (L)	Color A	P5901510350W	2	P5901511860W	2	P5901513400W	2	P5901514720W	2
		Color B	P5901510350E		P5901511860E		P5901513400E		P5901514720E	
		Color C	P59015103506		P59015118606		P59015134006		P59015147206	
		Color D	P59015103506		P59015118606		P59015134006		P59015147206	
		Color E	P59015103502		P59015118602		P59015134002		P59015147202	
		Color F	P59015103502		P59015118602		P59015134002		P59015147202	
		Color G	P5901510350C		P5901511860C		P5901513400C		P5901514720C	
② 	Ladder Leg (R)	Color A	P5901510351W	2	P5901511861W	2	P5901513401W	2	P5901514721W	2
		Color B	P5901510351E		P5901511861E		P5901513401E		P5901514721E	
		Color C	P59015103516		P59015118616		P59015134016		P59015147216	
		Color D	P59015103516		P59015118616		P59015134016		P59015147216	
		Color E	P59015103512		P59015118612		P59015134012		P59015147212	
		Color F	P59015103512		P59015118612		P59015134012		P59015147212	
		Color G	P5901510351C		P5901511861C		P5901513401C		P5901514721C	
③ 	Ladder Handrail	Color A	P5911010900W	2	P5911010900W	2	P5911010900W	2	P5811010900W	2
		Color B	P5911010900E		P5911010900E		P5911010900E		P5811010900E	
		Color C	P59110109006		P59110109006		P59110109006		P58110109006	
		Color D	P59110109006		P59110109006		P59110109006		P58110109006	
		Color E	P59110109002		P59110109002		P59110109002		P58110109002	
		Color F	P59110109002		P59110109002		P59110109002		P58110109002	
		Color G	P5911010900C		P5911010900C		P5911010900C		P5811010900C	
④ 	Ladder Tread	Color A	P59PF0052B01	6	P59PF0052B01	6	P59PF0052B01	8	P59PF0052B01	8
		Color B	P59PF0052W05		P59PF0052W05		P59PF0052W05		P59PF0052W05	
		Color C	P59PF0052W05		P59PF0052W05		P59PF0052W05		P59PF0052W05	
		Color D	P59PF0052G8U		P59PF0052G8U		P59PF0052G8U		P59PF0052G8U	
		Color E	P59PF0052W05		P59PF0052W05		P59PF0052W05		P59PF0052W05	
		Color F	P59PF0052G8U		P59PF0052G8U		P59PF0052G8U		P59PF0052G8U	
		Color G	P59PF0052W05		P59PF0052W05		P59PF0052W05		P59PF0052W05	
⑤ 	Ladder End Cap	Color A	P59PF0090B01	4	P59PF0090B01	4	P59PF0090B01	4	P59PF0090B01	4
		Color B	P59PF0090W05		P59PF0090W05		P59PF0090W05		P59PF0090W05	
		Color C	P59PF0090W05		P59PF0090W05		P59PF0090W05		P59PF0090W05	
		Color D	P59PF0090G8U		P59PF0090G8U		P59PF0090G8U		P59PF0090G8U	
		Color E	P59PF0090W05		P59PF0090W05		P59PF0090W05		P59PF0090W05	
		Color F	P59PF0090G8U		P59PF0090G8U		P59PF0090G8U		P59PF0090G8U	
		Color G	P59PF0090W05		P59PF0090W05		P59PF0090W05		P59PF0090W05	
⑥ 	Ladder Tread Clip	Color A	P59PF0070B01	12	P59PF0070B01	12	P59PF0070B01	16	P59PF0070B01	16
		Color B	P59PF0070W05		P59PF0070W05		P59PF0070W05		P59PF0070W05	
		Color C	P59PF0070W05		P59PF0070W05		P59PF0070W05		P59PF0070W05	
		Color D	P59PF0070G8U		P59PF0070G8U		P59PF0070G8U		P59PF0070G8U	
		Color E	P59PF0070W05		P59PF0070W05		P59PF0070W05		P59PF0070W05	
		Color F	P59PF0070G8U		P59PF0070G8U		P59PF0070G8U		P59PF0070G8U	
		Color G	P59PF0070W05		P59PF0070W05		P59PF0070W05		P59PF0070W05	
⑦ 	Machine Screw	Color A	P5911600350A	8	P5911600350A	8	P5911600350A	8	P5911600350A	8
		Color B	P5911600350A		P5911600350A		P5911600350A		P5911600350A	
		Color C	P5911600350A		P5911600350A		P5911600350A		P5911600350A	
		Color D	P5911600350A		P5911600350A		P5911600350A		P5911600350A	
		Color E	P5911600350A		P5911600350A		P5911600350A		P5911600350A	
		Color F	P5911600350A		P5911600350A		P5911600350A		P5911600350A	
		Color G	P5911600350A		P5911600350A		P5911600350A		P5911600350A	
⑧ 	Washer	Color A	P5942M60000A	4	P5942M60000A	4	P5942M60000A	4	P5942M60000A	4
		Color B	P5942M60000A		P5942M60000A		P5942M60000A		P5942M60000A	
		Color C	P5942M60000A		P5942M60000A		P5942M60000A		P5942M60000A	
		Color D	P5942M60000A		P5942M60000A		P5942M60000A		P5942M60000A	
		Color E	P5942M60000A		P5942M60000A		P5942M60000A		P5942M60000A	
		Color F	P5942M60000A		P5942M60000A		P5942M60000A		P5942M60000A	
		Color G	P5942M60000A		P5942M60000A		P5942M60000A		P5942M60000A	

Should you encounter any problems, contact Customer Service at (888) 919-0070 from 8AM to 5PM MST, Monday-Friday.
Extended operating days and hours during peak season requirements.

Key	Description	Color Code	36" Pool Wall Height		42" Pool Wall Height		48" Pool Wall Height		52" Pool Wall Height	
			Part #	Qty.	Part #	Qty.	Part #	Qty.	Part #	Qty.
9 	Lock Washer	Color A	P5943M60000A	8	P5943M60000A	8	P5943M60000A	8	P5943M60000A	8
		Color B	P5943M60000A		P5943M60000A		P5943M60000A		P5943M60000A	
		Color C	P5943M60000A		P5943M60000A		P5943M60000A		P5943M60000A	
		Color D	P5943M60000A		P5943M60000A		P5943M60000A		P5943M60000A	
		Color E	P5943M60000A		P5943M60000A		P5943M60000A		P5943M60000A	
		Color F	P5943M60000A		P5943M60000A		P5943M60000A		P5943M60000A	
		Color G	P5943M60000A		P5943M60000A		P5943M60000A		P5943M60000A	
10 	Cap Nut	Color A	P59231M6000A	8	P59231M6000A	8	P59231M6000A	8	P59231M6000A	8
		Color B	P59231M6000A		P59231M6000A		P59231M6000A		P59231M6000A	
		Color C	P59231M6000A		P59231M6000A		P59231M6000A		P59231M6000A	
		Color D	P59231M6000A		P59231M6000A		P59231M6000A		P59231M6000A	
		Color E	P59231M6000A		P59231M6000A		P59231M6000A		P59231M6000A	
		Color F	P59231M6000A		P59231M6000A		P59231M6000A		P59231M6000A	
		Color G	P59231M6000A		P59231M6000A		P59231M6000A		P59231M6000A	
11 	Ladder Warning Bracket	Color A	P5942003021W	2	P5942003021W	2	P5942003021W	2	P5942003021W	2
		Color B	P5942003021E		P5942003021E		P5942003021E		P5942003021E	
		Color C	P59420030216		P59420030216		P59420030216		P59420030216	
		Color D	P59420030216		P59420030216		P59420030216		P59420030216	
		Color E	P59420030212		P59420030212		P59420030212		P59420030212	
		Color F	P59420030212		P59420030212		P59420030212		P59420030212	
		Color G	P5942003021C		P5942003021C		P5942003021C		P5942003021C	

SETUP INSTRUCTIONS

Before assembling your product, please take a few minutes to check the contents and become familiar with all the parts.

Tools required:

- Phillips-head screwdriver (not included)
- Small adjustable wrench (not included)

1. Start with the Ladder Leg (L) **1**. Slide a Ladder End Cap **5** onto the end of the leg. Then snap a Ladder Tread Clip **6** around the lowest indent of the leg. Repeat with the Leg (R) **2**.

2. Slide a Ladder Tread **4** over both ladder legs. Push down until the tread locks in place.

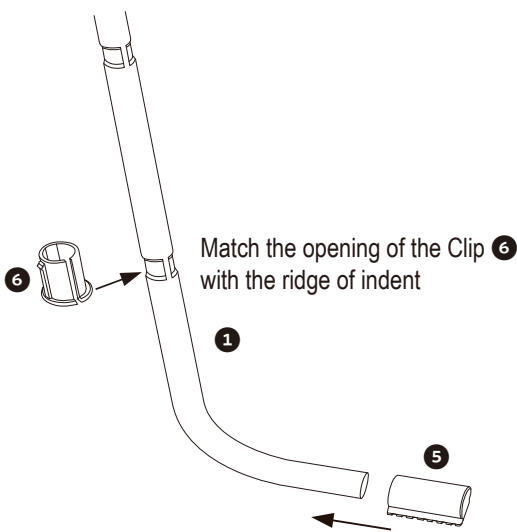


FIG. 1

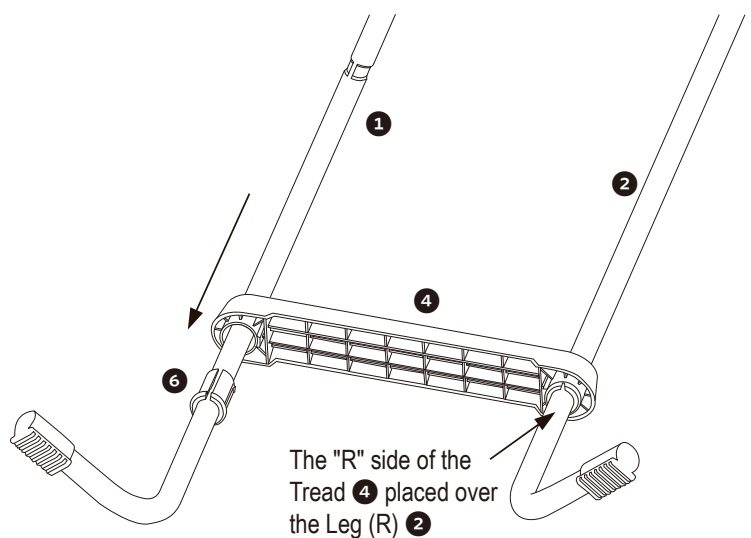


FIG. 2

Should you encounter any problems, contact Customer Service at (888) 919-0070 from 8AM to 5PM MST, Monday-Friday. Extended operating days and hours during peak season requirements.

3. Continue until the top Tread ④ is installed.
4. Repeat the above for another pair of legs.

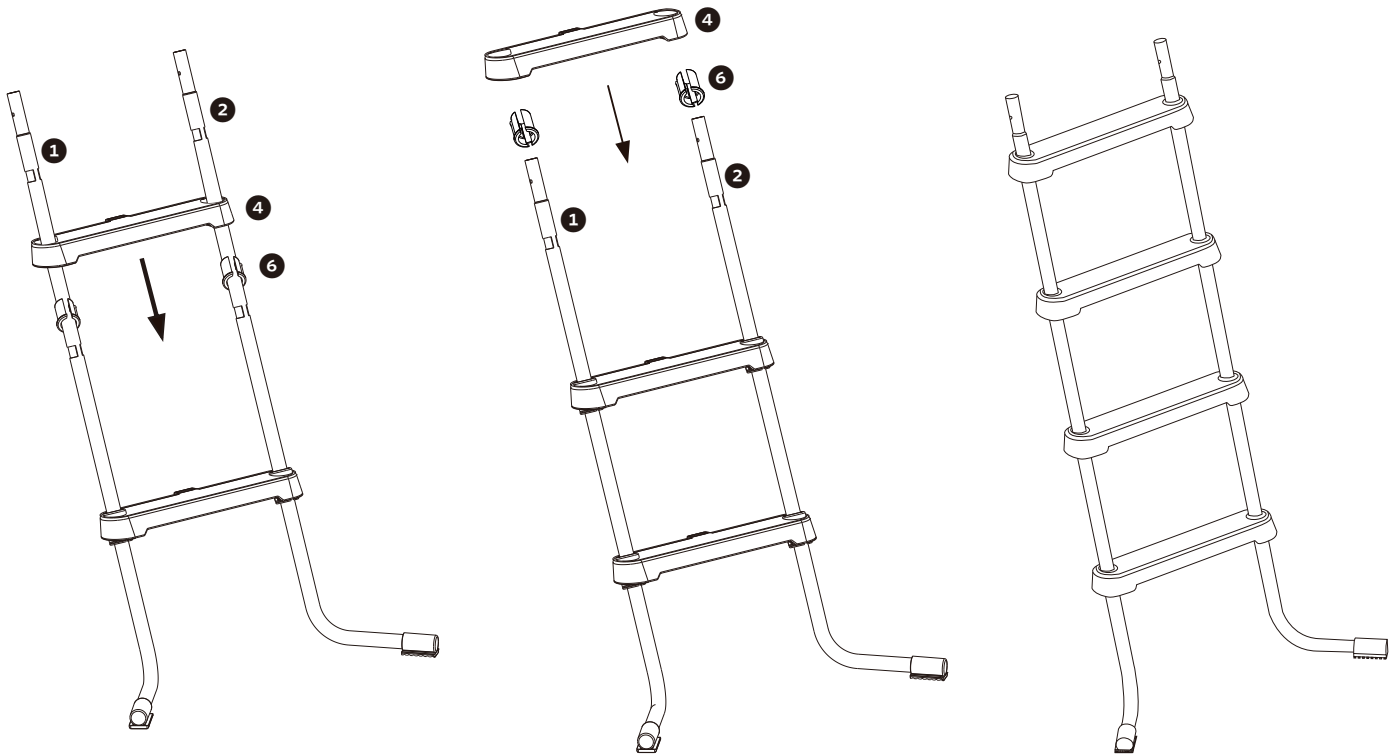


FIG. 3

5. Insert the Ladder Handrails ③ into the top of the legs. Now step back and check if all the ladder treads are level (parallel to the ground). If not, lift the handrails, repeat the above for fixing that tread, and reinstall the handrails.

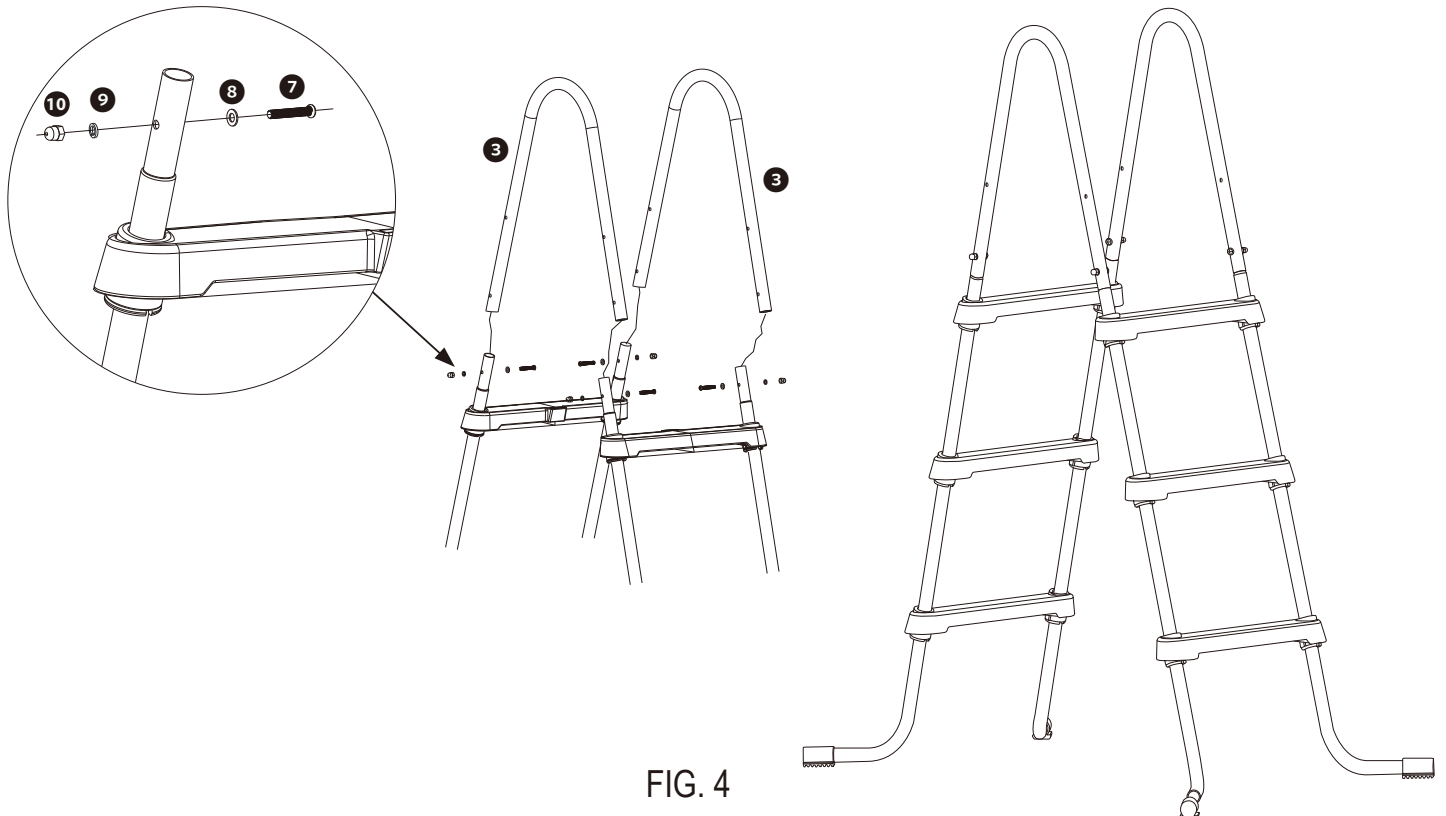


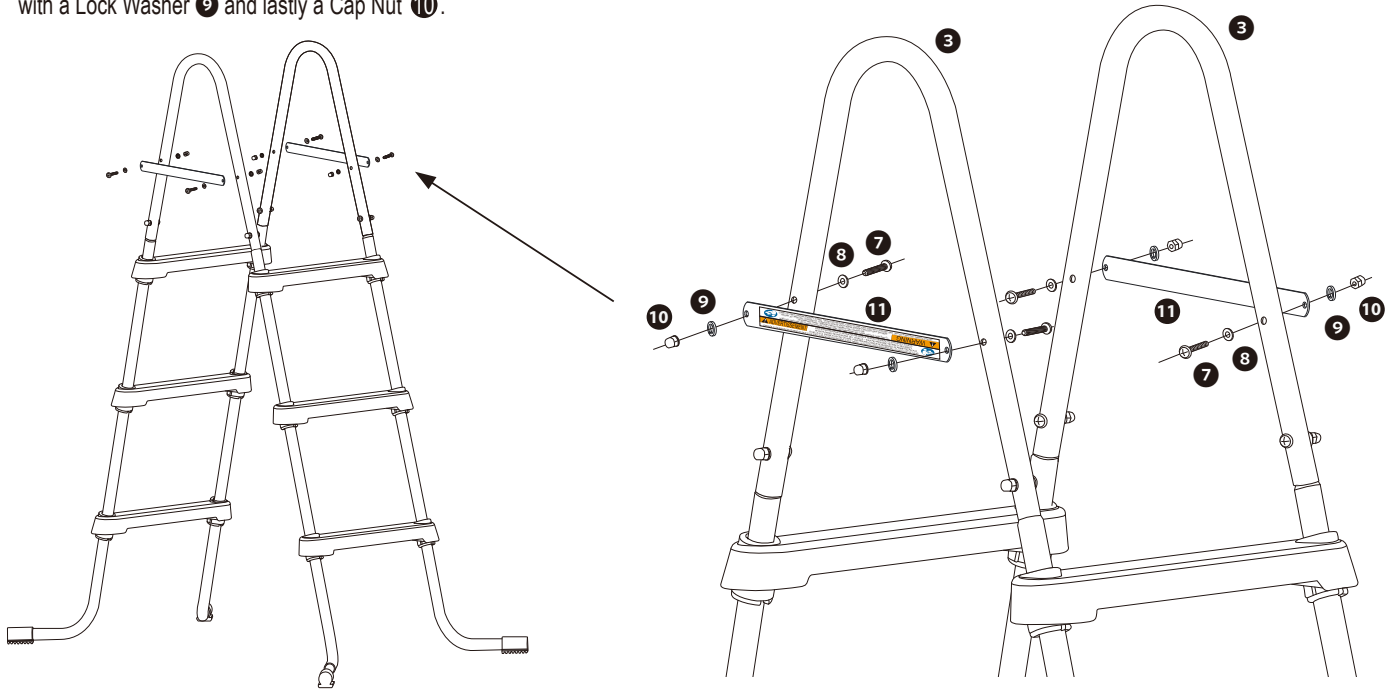
FIG. 4

Should you encounter any problems, contact Customer Service at (888) 919-0070 from 8AM to 5PM MST, Monday-Friday.
Extended operating days and hours during peak season requirements.

6. Secure the handrails: insert a Machine Screw **7** (with Washer **8**) from the inside of the ladder, and fasten with a Lock Washer **9** and lastly a Cap Nut **10**. Repeat with another handrail. The ladder should now look like an inverted "V" from the side.

IMPORTANT: make sure that all the screws are firmly tightened. THIS PREVENTS THE HANDRAILS FROM SEPARATING FROM THE LEGS. LADDER FAILURE WILL RESULT IF SCREWS ARE NOT PROPERLY INSTALLED!

7. Install the Ladder Warning Brackets **11**: with the text facing outwards, insert a Machine Screw **7** (with Washer **8**) from the inside of the ladder, and fasten with a Lock Washer **9** and lastly a Cap Nut **10**.



Make sure to place the Washer **8** under the Screw **7**, and the Lock Washer **9** under the Cap Nut **10**.

FIG. 5

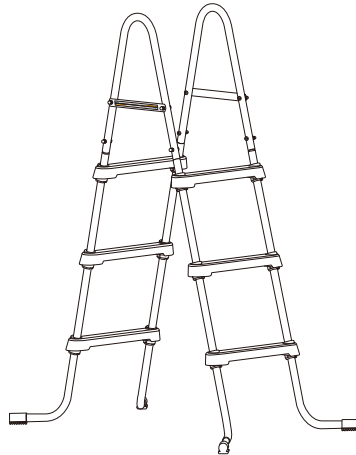
MAINTENANCE

1. Mud may cause slipping. Keep the ladder treads free of mud.
2. Retighten the ladder hardware regularly. LOOSE HARDWARE WILL CAUSE LADDER FAILURE.

ESCALERA PARA PISCINA SUMMER WAVES®

PARA PISCINAS SOBRE SUELO

Modelos 91 cm / 1,07 m / 1,22 m / 1,32 m



LEA ESTAS INSTRUCCIONES Y CONSÉRVELAS PARA FUTURAS CONSULTAS

Para dudas sobre la instalación o resolución de problemas, visite
support.polygroupstore.com Servicio de atención al cliente: (888)919-0070

NO DEVUELVA EL PRODUCTO A LA TIENDA

Para pedir piezas y accesorios,
visite www.polygroupstore.com

Si le surge algún problema con su producto Polygroup®, no devuelva el producto al establecimiento de compra. Las reclamaciones por garantía deben realizarse directamente a Polygroup®. Antes de ponerse en contacto con el servicio de atención al cliente, revise la guía de resolución de problemas, en el manual de instalación, o consulte las FAQ y videos instruccionales en support.polygroupstore.com Si continúa sin poder resolver el problema, póngase en contacto con el servicio de atención al cliente de Polygroup® en el (888)919-0070. Tenga preparado el tipo de producto, número de modelo y su recibo de compra. Nuestro representante del servicio de atención al cliente le ayudará a resolver el problema. Puede ser necesario que nos envíe parte del producto o el producto en su totalidad para inspección y/o reparación. No devuelva ningún producto a Polygroup® sin un número de autorización de devolución.

GARANTÍA LIMITADA

Polygroup® Trading Limited, (en adelante, "Polygroup®") garantiza la Escalera de la piscina, solamente al comprador original, frente a defectos de material y mano de obra durante 90 días a partir de la fecha de compra. El comprador original debe conservar el justificante de compra en forma de recibo de venta original de la tienda, que deberá presentar si así se lo solicita Polygroup® o sus agentes delegados. Las reclamaciones de garantía no pueden procesarse sin un justificante de compra válido. Esta garantía limitada solo se aplica al comprador original del producto y se limita a la reparación o sustitución del producto, a discreción de Polygroup®. Los daños consiguientes, incluidas reclamaciones por pérdidas de agua, químicos para piscinas, daños o uso no están cubiertos por esta garantía limitada.

Esta garantía no se considerará válida en caso de modificación o reparación del producto por parte del comprador o de personas no autorizadas, uso de piezas o accesorios no originales de Polygroup® en el producto, uso del producto contraviniendo las instrucciones del fabricante, uso de voltaje inadecuado, cualquier tipo de abuso del producto o en caso de accidente o negligencia. Esta garantía no cubre el desgaste normal, así como los casos de fuerza mayor fuera del control de Polygroup®.

EN NINGÚN CASO SERÁN RESPONSABLES Polygroup®, SUS AGENTES AUTORIZADOS, ENTIDADES ASOCIADAS O EMPLEADOS ANTE EL COMPRADOR O TERCEROS POR DAÑOS DIRECTOS O CONSIGUIENTES. Algunos estados o países, u otras jurisdicciones, no permiten la exclusión o limitación de daños accidentales o consiguientes, en cuyo caso no se aplicarán las anteriores limitaciones o exclusiones a usted.

ÍNDICE

Advertencias	3 ~ 5
Lista de piezas	6 ~ 7
Instrucciones de montaje	7 ~ 9
Mantenimiento	9

INSTRUCCIONES IMPORTANTES DE SEGURIDAD

Al instalar y usar este producto, deben seguirse siempre ciertas instrucciones básicas de seguridad, incluidas las siguientes:

LEA Y SIGA TODAS LAS INSTRUCCIONES

Consérvelas para futuras consultas. El incumplimiento de estas advertencias e instrucciones puede provocar lesiones graves o la muerte de los usuarios, especialmente los niños.

⚠ ADVERTENCIA



⚠ PELIGRO

¡EVITE AHOGAMIENTOS!
VIGILE DE CERCA A LOS NIÑOS CUANDO ESTÉN EN LA PISCINA O EN SUS ALREDEDORES. EN EL CASO DE NIÑOS MENORES DE 5 AÑOS, EL RIESGO DE AHOGAMIENTO ES MAYOR. VACÍE LA ALBERCA O PREVENGA EL ACCESO A ELLA CUANDO NO SE ENCUENTRE EN USO.

NO SE PERMITE ZAMBULLIAS!
AGUA POCO PROFUNDA
¡PROHIBIDO ZAMBULLIRSE DE CLAVADO! RIESGO DE FRACTURA DEL CUELLO Y PARÁLISIS.

⚠ ADVERTENCIA

NO SE SIENTE NI SE TUMBE SOBRE LA PARED DE LA PISCINA
PUEDE SUFRIR LESIONES PERMANENTES

EVITE QUEDAR ATRAPADO!
ALÉJESE DE LOS ACCESORIOS DE DRENAJE O SUCCIÓN. EL PELO, EL CUERPO Y LAS ALHAJAS PUEDEN SER SUCCIONADOS POR EL SISTEMA DE DRENAJE. CORRIENDO RIESGO DE QUEDAR ATRAPADO BAJO EL AGUA Y AHOGARSE. NO USE LA PISCINA SI LA TAPA DEL DRENAJE O DE LA BOCA DE SUCCIÓN DE SALIDA ESTÁ ROTA O FALTANDO.

Muy importante

- **EL PESO LÍMITE DE LA ESCALERA ES DE 150KG.**
- UNA ESTRUCTURA SUELTA PROVOCARÁ FALLOS EN LA ESCALERA.
- La escalera fallará si los tornillos para metal **7**, arandela **8**, arandela de cierre **9** y las tuerca de **10** que sujetan los pasamanos a las patas no están correctamente instalados.

AVISO: Cada escalón de la escalera incluye información adicional de seguridad. Dedique algún tiempo para familiarizarse con esta información.

Para evitar que alguien quede atrapado o se ahogue, no nade por, debajo o alrededor de la escalera. No se sumerja ni salte desde la escalera – ¡aguas poco profundas! Retire y sujete la escalera cuando la piscina esté vacía. Para reducir el riesgo de lesiones, no permita a los niños utilizar este producto a menos que estén bajo estrecha supervisión en todo momento.

Precauciones de seguridad para los niños

1. Los niños, especialmente los menores de 5 años, tienen un alto riesgo de ahogarse. Los ahogamientos suceden de manera silenciosa y rápida, pudiendo suceder en tan poco como 5 cm de agua.
2. Mantenga a los niños dentro de su campo de visión, permanezca cerca y vigílelos activamente cuando estén cerca o dentro de la piscina y cuando esté llenando y vaciando la piscina.
3. Al buscar un niño perdido, compruebe primero la piscina, incluso aunque piense que el niño está en casa.
4. Sitúe las bombas y filtros de manera que los niños no puedan subirse a ellos para acceder a la piscina.

Conocimiento de la piscina

1. La piscina debe ser montada por un adulto; hay que tener cuidado al desembalarla y montarla, ya que puede contener bordes y puntos afilados potencialmente peligrosos que son partes necesarias para el funcionamiento de la piscina.
2. No use la piscina en caso de que falte o esté rota alguna tapa de las salidas de succión o drenaje. La succión puede provocar que quede atrapada alguna parte del cuerpo, que se enreden el cabello o las joyas o ahogamiento. Repare o cambie las tapas de las salidas de succión o drenaje antes de utilizar la piscina.
3. Durante el uso nocturno de la piscina, utilice iluminación artificial para iluminar todas las señales de seguridad, escaleras, escalones, cubiertas y caminos.
4. El fondo de la piscina debe ser visible en todo momento desde el perímetro exterior de la piscina.
5. Coloque una lista de números de teléfono de emergencia, como la comisaría, bomberos, ambulancias y/o unidades de rescate más cercanas. Estos números deben mantenerse cerca del teléfono más cercano a la piscina.
6. Tenga siempre a mano un equipo básico de salvamento, que incluya uno de los siguientes:
 - Una vara rígida, resistente y ligera (un cayado) con una longitud no inferior a 366 cm.
 - Una cuerda de al menos 6,35 mm de diámetro con una longitud igual a la mitad de la anchura máxima de la piscina o 15,24 m, la que sea inferior, que esté firmemente sujeta a un flotador de salvamento aprobado con un diámetro exterior de aproximadamente 38,1 cm, o un dispositivo de flotación aprobado similar.
7. La piscina puede sufrir desgaste y deterioro. Si no se realiza el mantenimiento adecuado, ciertos tipos de deterioro excesivo o acelerado pueden provocar fallos en la estructura de la piscina que podrían liberar grandes cantidades de agua, causando así daños corporales y en la propiedad.
8. No permita juegos bruscos, inmersiones ni saltos dentro o alrededor de la piscina. El incumplimiento de esta norma puede resultar en lesiones graves, parálisis o, incluso, la muerte. **NO PERMITA** que nadie nade solo, sin supervisión.
9. Mantenga la piscina limpia. La parte más profunda de la piscina debe ser visible en todo momento desde la valla exterior de la piscina.

Escalera

1. La escalera deberá colocarse sobre una base sólida e instalarse siguiendo las instrucciones del fabricante.
2. No debe haber más de una persona sobre la escalera simultáneamente.
3. Esta escalera está diseñada y fabricada para una altura específica de pared de piscina y/o plataforma de la piscina.
4. Para entrar/salir de la piscina, hágalo siempre de cara a la escalera.
5. Para evitar que alguien quede atrapado o se ahogue, no nade por, debajo o alrededor de la escalera.
6. Remueva y asegure la escalera cuando la piscina esté vacía.
7. Instruya a los usuarios de la piscina sobre el uso adecuado de las escaleras de piscina.
8. Compruebe todas las tuercas y pernos regularmente para asegurarse de que la escalera se mantiene sólida.

Riesgo de ahogamiento

1. Evite que los niños accedan a la piscina sin vigilancia instalando una valla u otra barrera aprobada alrededor de la piscina. Las leyes o códigos estatales o locales pueden exigir una valla u otras barreras aprobadas. Consulte las normas y códigos estatales y locales antes de instalar la piscina.
2. Retire las escaleras de la piscina antes de dejar la piscina. Se han dado casos de niños de 2 años que han subido escaleras, cayéndose a piscinas y ahogándose.
3. Los juguetes, sillas, mesas y objetos similares a los que un niño podría subirse deben tener una altura mínima de 121,92 cm respecto a la piscina. El sistema del filtro de la bomba debe colocarse de manera que no pueda ser usado por los niños pequeños como medio de acceso a la piscina. No deje juguetes dentro de la piscina al terminar de usarla, ya que los juguetes y objetos similares podrían atraer a los niños a la piscina.
4. Coloque los muebles (por ejemplo, mesas o sillas) lejos de la piscina para que los niños no puedan subirse a ellos para acceder a la piscina.

Riesgo de las zambullidas

1. Las piscinas domésticas sobre suelo son solo para nada y caminar. No deben añadirse trampolines, toboganes u otro equipamiento a las piscinas sobre suelo que pueda indicar, de algún modo, que la piscina sobre suelo puede usarse o está diseñada para sumergirse o deslizarse hasta ella.
2. No se sumerja en esta piscina. Sumergirse en aguas poco profundas puede resultar en una rotura de cuello, parálisis o, incluso, la muerte.

Primeros auxilios

1. Tenga siempre un teléfono en funcionamiento y una lista de número de emergencia cerca de la piscina.
2. Aprenda la técnica de la resucitación cardiopulmonar (CPR). En caso de emergencia, realizar inmediatamente la CPR puede salvar una vida.

Advertencia especial

1. Los códigos de construcción locales pueden exigir la obtención de un permiso de construcción o instalación eléctrica. El instalador debe seguir las normativas sobre escollos, barreras, dispositivos y otros requisitos.
2. Las señales de seguridad deben cumplir los requisitos de la ANSI-Z535 y usar señalización de advertencia.
3. NO intente montar la piscina en condiciones climatológicas adversas, en caso de viento o cuando la temperatura sea inferior a 15,5 °C.
4. Esta piscina es almacenable, por lo que debería desmontarse y guardarse cuando se esperen temperaturas por debajo de 0 °C.

Advertencia de seguridad adicional

1. Siempre es necesaria la supervisión de un adulto.
2. Los padres deben aprender a realizar la CPR.
3. Mantenga los radios eléctricos, altavoces y otros aparatos eléctricos lejos de la piscina.
4. Mantenga todos los objetos que se puedan romper fuera de la zona de la piscina.
5. No instale sobre una plataforma u otra superficie en, sobre o ligeramente por debajo del riel superior de la piscina.
6. No permita que nadie se sumerja, salte, se sienta o permanezca de pie sobre los rieles superiores de las piscinas.
7. No permita los juegos bruscos.
8. Instale una escalera de piscina para entrar y salir de la piscina.
9. Suba y baje de cara a la piscina.
10. Póngase en contacto con el distribuidor o fabricante de la piscina para obtener más señales de seguridad si lo considera necesario.
11. Acuda a un técnico de piscinas profesional para el servicio de mantenimiento de la piscina. Para más información entre en www.APSP.org

Folleto de sensibilización del consumidor y fuente de información

Contacto: U.S. Consumer Product Safety Commission at www.cpsc.gov/safety-education/safety-guides/pools-and-spas, Pub. #362 "Safety Barrier Guidelines for Home Pools."

1. La manera sensata de disfrutar de su piscina sobre suelo
2. Los niños no son a prueba de agua
3. Capas de protección
4. Procedimientos de emergencias en piscinas y spas para bebés y niños
5. Ser consciente de la seguridad.

Las copias de los folletos anteriores están disponibles gratuitamente en el APSP en www.APSP.org

Existen programas educativos y materiales

Sobre los programas educativos (es decir, seminarios, talleres, folletos, videos, guías) del APSP, otros grupos de seguridad acuática y empresas privadas. Con el objetivo de comunicar información de seguridad útil a los dueños/operadores y usuarios de piscinas, está permitido que los miembros de la industria suministren esta información a los dueños/operadores y que soliciten o exijan a los dueños/operadores una declaración firmada de que han recibido, leído y seguirán las instrucciones.

Otras fuentes de información de seguridad:

- www.cdc.gov
- www.cpsc.gov
- www.drowningpreventionalliance.com
- www.nspf.org
- www.safekids.org

ANSI American National Standards Institute

25 West 43rd Street, New York NY 10036
Contacto: 212-642-4900
www.ansi.org

APSP Association of Pool & Spa Professionals

(formerly National Spa and Pool Institute)
2111 Eisenhower Avenue, Ste. 500
Alexandria VA 22314-4679
Contacto: 703-838-0083
www.apsp.org

ASME American Society of Mechanical Engineers

Two Park Avenue, New York NY 10016-5990
Contacto: 800-843-2763 (U.S. & CANADA) or 973-882-1170 (International)
www.asme.org
NSPI National Spa and Pool Institute (see APSP)

UL Underwriters Laboratories

333 Pfingsten Road, Northbrook IL 60062-2096
Contacto: 847-272-8800
www.ul.com

NSF NSF International

P.O. Box 130140
789 N. Dixboro Road
Ann Arbor MI 48105
Contacto: 800-673-6275 or 734-769-8010
www.nsf.org

ASTM ASTM International (formerly American Society of Testing & Materials)

100 Barr Harbor Drive, P.O. Box C700 West Conshohocken, PA 19428-2959
Contacto: 877-909-2786 (USA & CANADA) or 610-832-9585 (International)
610-832-9555 (fax)
www.astm.org

NEC National Electrical Code (see NFPA)

NFPA National Fire Protection Association
1 Batterymarch Park, Quincy MA 02169-7471
Contacto: 800 344-3555 (U.S. & Canada) or 617 770-3000 (International)
www.nfpa.org

Riesgo de accidentes de ahogamiento, atrapamiento y buceo









Hay publicaciones disponibles que describen el riesgo de accidentes de ahogamiento, atrapamiento y buceo. Las publicaciones relacionadas con la seguridad de la piscina disponibles incluyen folletos de la Asociación de profesionales de piscina y spa (APSP) titulados: The Sensible Way to Enjoy Your Aboveground/Onground Swimming Pool [La forma sensata de disfrutar de su piscina desmontable y fija], Children Aren't Waterproof [Los niños no son impermeables], Pool and Spa Emergency Procedures for Infants and Children [Procedimientos de urgencia de piscinas y spas para bebés y niños], Layers of Protection [Capas de protección], y la última edición publicada del Código sobre dispositivos de seguridad ANSI/APSP-8 para piscinas, spas y bañeras de hidromasaje de uso residencial.

Responsabilidades del instalador




La instalación de todos estos componentes debe realizarse de manera que los niños no lo puedan usar como medio de acceso a la piscina.
(Véase la última edición publicada del Código sobre dispositivos de seguridad ANSI/APSP-8 para piscinas, spas y bañeras de hidromasaje de uso residencial).

LISTA DE PIEZAS

- ESTA ESCALERA ESTÁ DISEÑADA Y FABRICADA PARA LA ALTURA ESPECÍFICA DE LA PARED DE LA PISCINA.
- RETIRE Y ASEGURE LA ESCALERA CUANDO LA PISCINA ESTÉ VACÍA.
- VERIFIQUE LOS CÓDIGOS DE COLOR INDICADOS EN LOS SOPORTES DE ADVERTENCIA DE LA ESCALERA **11** PARA PEDIR PIEZAS DE REPUESTO.

Clave	Descripción	Código de color	Escalera de 36" (91 cm)		Escalera de 42" (107 cm)		Escalera de 48" (122 cm)		Escalera de 52" (132 cm)	
			Nº Pieza	Cant.	Nº Pieza	Cant.	Nº Pieza	Cant.	Nº Pieza	Cant.
1 	Patatas de la escalera (L)	Color A	P5901510350W	2	P5901511860W	2	P5901513400W	2	P5901514720W	2
		Color B	P5901510350E		P5901511860E		P5901513400E		P5901514720E	
		Color C	P59015103506		P59015118606		P59015134006		P59015147206	
		Color D	P59015103506		P59015118606		P59015134006		P59015147206	
		Color E	P59015103502		P59015118602		P59015134002		P59015147202	
		Color F	P5901510350C		P5901511860C		P5901513400C		P5901514720C	
		Color G	P5901510350C		P5901511860C		P5901513400C		P5901514720C	
2 	Patatas de la escalera (R)	Color A	P5901510351W	2	P5901511861W	2	P5901513401W	2	P5901514721W	2
		Color B	P5901510351E		P5901511861E		P5901513401E		P5901514721E	
		Color C	P59015103516		P59015118616		P59015134016		P59015147216	
		Color D	P59015103516		P59015118616		P59015134016		P59015147216	
		Color E	P59015103512		P59015118612		P59015134012		P59015147212	
		Color F	P59015103512		P59015118612		P59015134012		P59015147212	
		Color G	P5901510351C		P5901511861C		P5901513401C		P5901514721C	
3 	Mango de la escalera	Color A	P5911010900W	2	P5911010900W	2	P5911010900W	2	P5811010900W	2
		Color B	P5911010900E		P5911010900E		P5911010900E		P5811010900E	
		Color C	P59110109006		P59110109006		P59110109006		P58110109006	
		Color D	P59110109006		P59110109006		P59110109006		P58110109006	
		Color E	P59110109002		P59110109002		P59110109002		P58110109002	
		Color F	P59110109002		P59110109002		P59110109002		P58110109002	
		Color G	P5911010900C		P5911010900C		P5911010900C		P5811010900C	
4 	Escalón de la escalera	Color A	P59PF0052B01	6	P59PF0052B01	6	P59PF0052B01	8	P59PF0052B01	8
		Color B	P59PF0052W05		P59PF0052W05		P59PF0052W05		P59PF0052W05	
		Color C	P59PF0052W05		P59PF0052W05		P59PF0052W05		P59PF0052W05	
		Color D	P59PF0052G8U		P59PF0052G8U		P59PF0052G8U		P59PF0052G8U	
		Color E	P59PF0052W05		P59PF0052W05		P59PF0052W05		P59PF0052W05	
		Color F	P59PF0052G8U		P59PF0052G8U		P59PF0052G8U		P59PF0052G8U	
		Color G	P59PF0052W05		P59PF0052W05		P59PF0052W05		P59PF0052W05	
5 	Tapón del extremo de la escalera	Color A	P59PF0090B01	4	P59PF0090B01	4	P59PF0090B01	4	P59PF0090B01	4
		Color B	P59PF0090W05		P59PF0090W05		P59PF0090W05		P59PF0090W05	
		Color C	P59PF0090W05		P59PF0090W05		P59PF0090W05		P59PF0090W05	
		Color D	P59PF0090G8U		P59PF0090G8U		P59PF0090G8U		P59PF0090G8U	
		Color E	P59PF0090W05		P59PF0090W05		P59PF0090W05		P59PF0090W05	
		Color F	P59PF0090G8U		P59PF0090G8U		P59PF0090G8U		P59PF0090G8U	
		Color G	P59PF0090W05		P59PF0090W05		P59PF0090W05		P59PF0090W05	
6 	Clip del escalón de la escalera	Color A	P59PF0070B01	12	P59PF0070B01	12	P59PF0070B01	16	P59PF0070B01	16
		Color B	P59PF0070W05		P59PF0070W05		P59PF0070W05		P59PF0070W05	
		Color C	P59PF0070W05		P59PF0070W05		P59PF0070W05		P59PF0070W05	
		Color D	P59PF0070G8U		P59PF0070G8U		P59PF0070G8U		P59PF0070G8U	
		Color E	P59PF0070W05		P59PF0070W05		P59PF0070W05		P59PF0070W05	
		Color F	P59PF0070G8U		P59PF0070G8U		P59PF0070G8U		P59PF0070G8U	
		Color G	P59PF0070W05		P59PF0070W05		P59PF0070W05		P59PF0070W05	
7 	Tornillo	Color A	P5911600350A	8	P5911600350A	8	P5911600350A	8	P5911600350A	8
		Color B	P5911600350A		P5911600350A		P5911600350A		P5911600350A	
		Color C	P5911600350A		P5911600350A		P5911600350A		P5911600350A	
		Color D	P5911600350A		P5911600350A		P5911600350A		P5911600350A	
		Color E	P5911600350A		P5911600350A		P5911600350A		P5911600350A	
		Color F	P5911600350A		P5911600350A		P5911600350A		P5911600350A	
		Color G	P5911600350A		P5911600350A		P5911600350A		P5911600350A	
8 	Arandela	Color A	P5942M60000A	4	P5942M60000A	4	P5942M60000A	4	P5942M60000A	4
		Color B	P5942M60000A		P5942M60000A		P5942M60000A		P5942M60000A	
		Color C	P5942M60000A		P5942M60000A		P5942M60000A		P5942M60000A	
		Color D	P5942M60000A		P5942M60000A		P5942M60000A		P5942M60000A	
		Color E	P5942M60000A		P5942M60000A		P5942M60000A		P5942M60000A	
		Color F	P5942M60000A		P5942M60000A		P5942M60000A		P5942M60000A	
		Color G	P5942M60000A		P5942M60000A		P5942M60000A		P5942M60000A	

Si tuviera algún problema, llame al Servicio al cliente al número (888) 919-0070 de 8:00 a 17:00 (MST)
Lun, Jue, Vie. Días y horas ampliables durante la temporada alta.

Clave	Descripción	Código de color	Escalera de 36" (91 cm)		Escalera de 42" (107 cm)		Escalera de 48" (122 cm)		Escalera de 52" (132 cm)	
			Nº Pieza	Cant.	Nº Pieza	Cant.	Nº Pieza	Cant.	Nº Pieza	Cant.
9 	Arandela de cierre	Color A	P5943M60000A	8	P5943M60000A	8	P5943M60000A	8	P5943M60000A	8
		Color B	P5943M60000A		P5943M60000A		P5943M60000A		P5943M60000A	
		Color C	P5943M60000A		P5943M60000A		P5943M60000A		P5943M60000A	
		Color D	P5943M60000A		P5943M60000A		P5943M60000A		P5943M60000A	
		Color E	P5943M60000A		P5943M60000A		P5943M60000A		P5943M60000A	
		Color F	P5943M60000A		P5943M60000A		P5943M60000A		P5943M60000A	
		Color G	P5943M60000A		P5943M60000A		P5943M60000A		P5943M60000A	
10 	Tuerca	Color A	P59231M6000A	8	P59231M6000A	8	P59231M6000A	8	P59231M6000A	8
		Color B	P59231M6000A		P59231M6000A		P59231M6000A		P59231M6000A	
		Color C	P59231M6000A		P59231M6000A		P59231M6000A		P59231M6000A	
		Color D	P59231M6000A		P59231M6000A		P59231M6000A		P59231M6000A	
		Color E	P59231M6000A		P59231M6000A		P59231M6000A		P59231M6000A	
		Color F	P59231M6000A		P59231M6000A		P59231M6000A		P59231M6000A	
		Color G	P59231M6000A		P59231M6000A		P59231M6000A		P59231M6000A	
11 	Soporte de advertencia de la escalera	Color A	P5942003021W	2	P5942003021W	2	P5942003021W	2	P5942003021W	2
		Color B	P5942003021E		P5942003021E		P5942003021E		P5942003021E	
		Color C	P59420030216		P59420030216		P59420030216		P59420030216	
		Color D	P59420030216		P59420030216		P59420030216		P59420030216	
		Color E	P59420030212		P59420030212		P59420030212		P59420030212	
		Color F	P59420030212		P59420030212		P59420030212		P59420030212	
		Color G	P5942003021C		P5942003021C		P5942003021C		P5942003021C	

INSTRUCCIONES DE MONTAJE

Before assembling your product, please take a few minutes to check the contents and become familiar with all the parts.

Tools required:

- Phillips-head screwdriver (No incluido)
- Small adjustable wrench (No incluido)

1. Comience por la pata de escalera (L) ①. Deslice el tapón del extremo de la escalera en un extremo de la pata. A continuación, enganche el clip del escalón de la escalera ⑥ alrededor de la muesca más baja de la pata. Repita la misma operación con la pata (R) ②.

2. Deslice un escalón de la escalera ④ sobre ambas patas de la escalera. Presione hacia abajo hasta que el escalón se fije en su lugar.

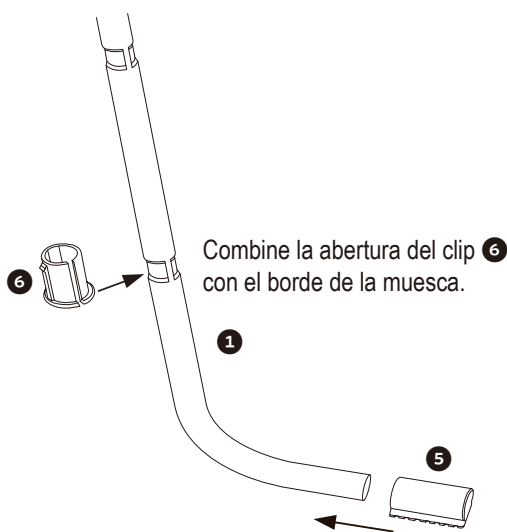


FIG. 1

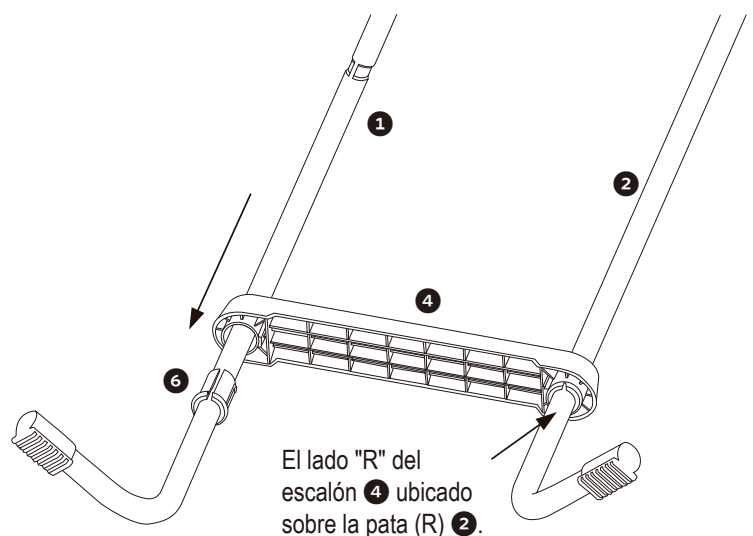


FIG. 2

Si tuviera algún problema, llame al Servicio al cliente al número (888) 919-0070 de 8:00 a 17:00 (MST)
Lun, Jue, Vie. Días y horas ampliables durante la temporada alta.

3. Continúe hasta que haya instalado el escalón superior ④.
4. Repita el procedimiento anterior con otro par de patas.

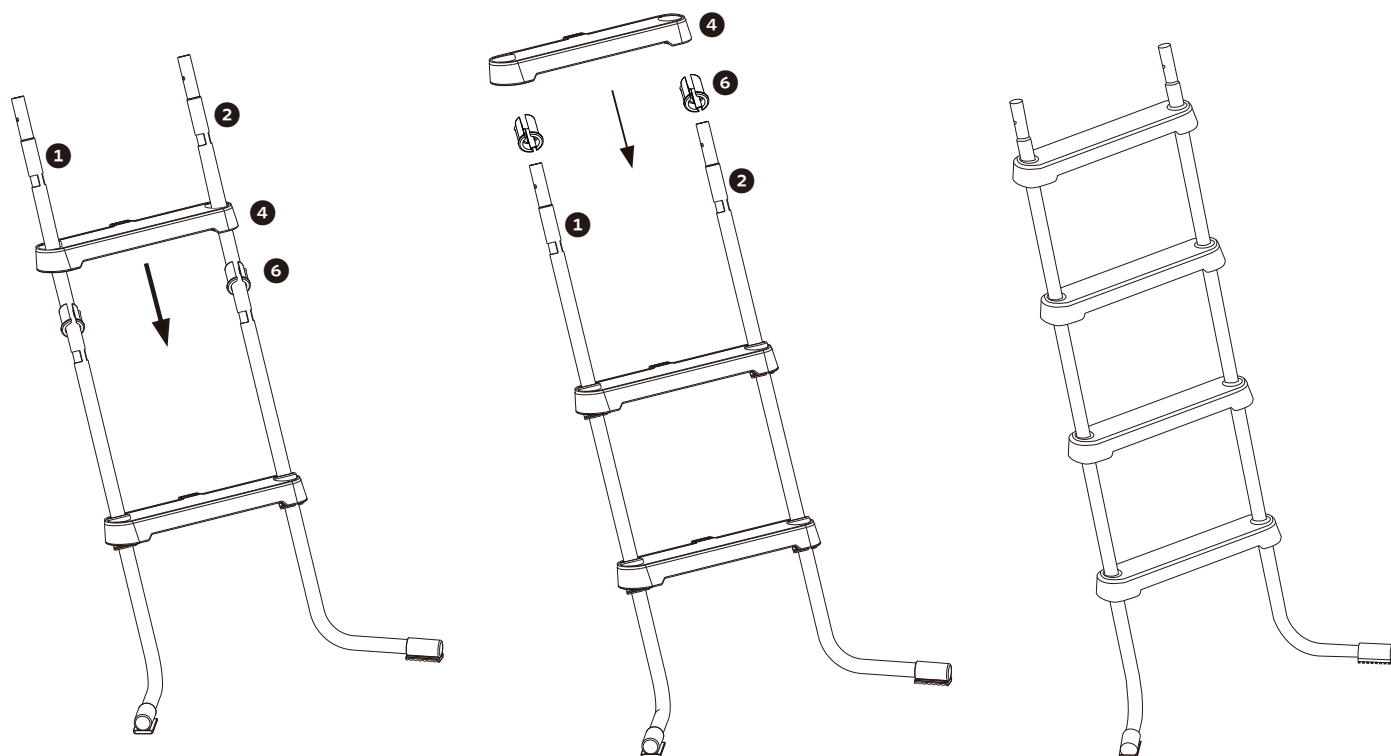


FIG. 3

5. Inserte los mango de la escalera ③ en la parte superior de las patas. Ahora, de un paso atrás y observe si los escalones de la escalera están nivelados (paralelos al suelo). Si no lo están, levante los pasamanos, repita los pasos anteriores para fijar el escalón y vuelva a instalar los pasamanos.

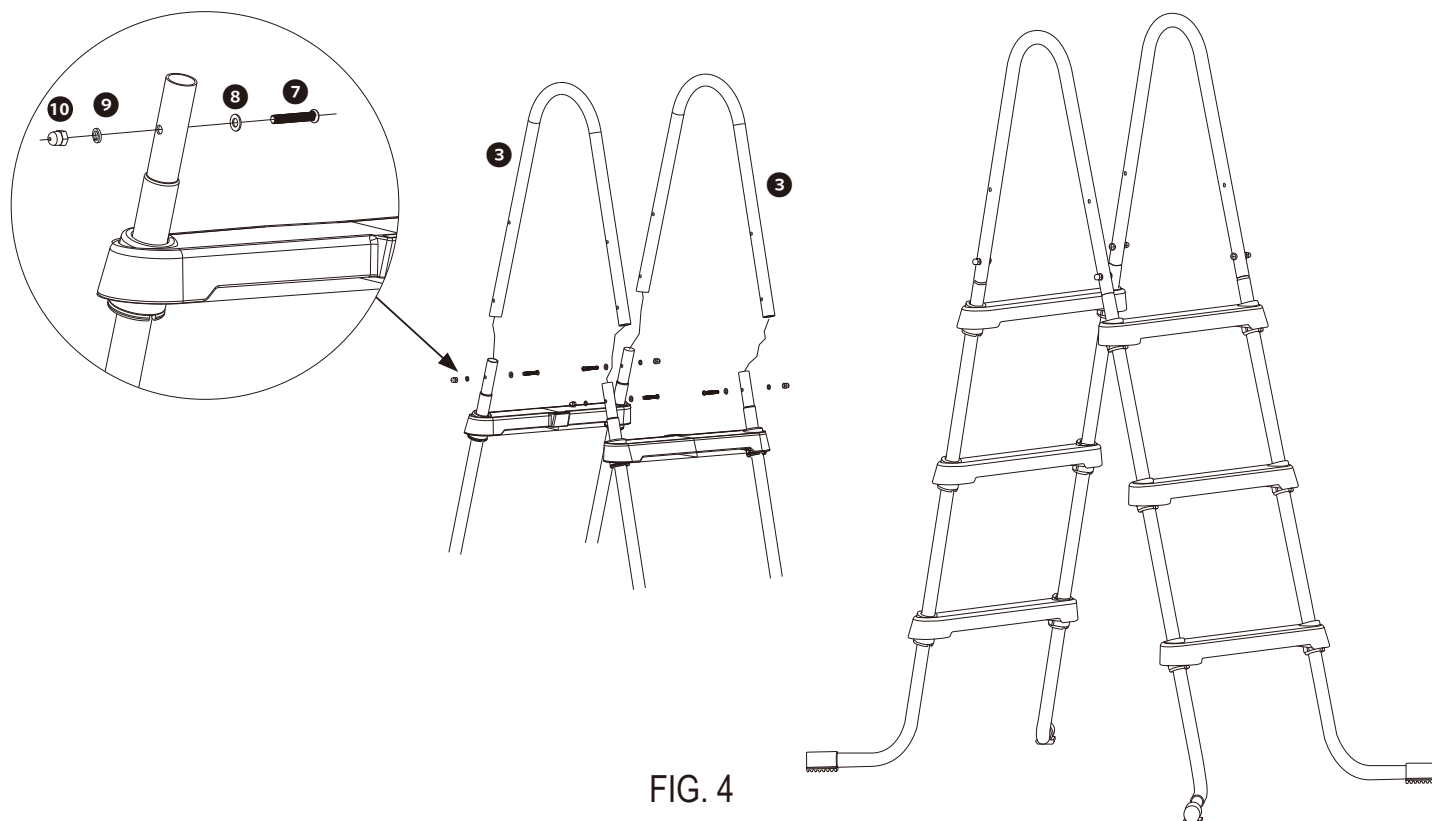


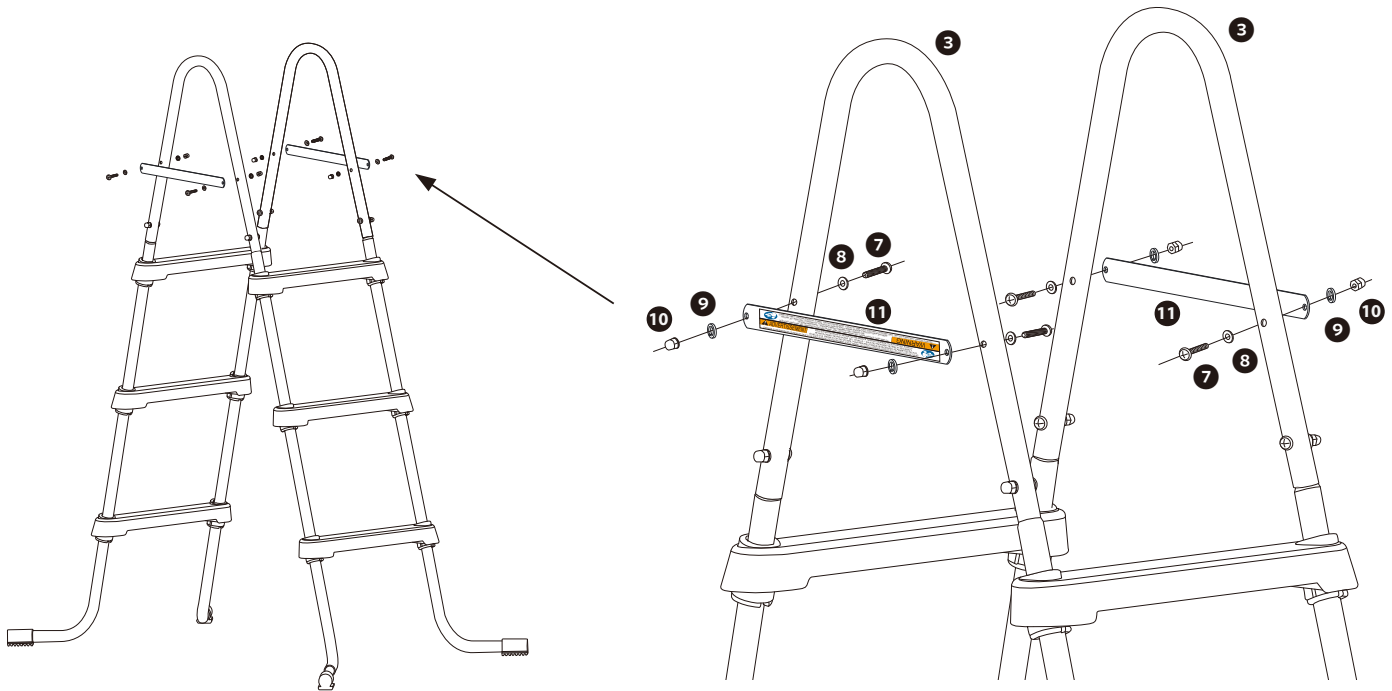
FIG. 4

Si tuviera algún problema, llame al Servicio al cliente al número (888) 919-0070 de 8:00 a 17:00 (MST)
Lun, Jue, Vie. Días y horas ampliables durante la temporada alta.

6. Fijación de los pasamanos: Inserte un tornillo de máquina 7 (con la arandela 8) desde la parte interna de la escalera y apriételo con una arandela de cierre 9 y, por último, una tuerca de tapón 10. Repita el mismo procedimiento con el otro pasamanos. La escalera deberá parecer ahora una "V" invertida al mirarla desde el costado.

IMPORTANTE: Compruebe que todos los tornillos están bien apretados. ESTO EVITARÁ QUE LOS PASAMANOS SE SEPAREN DE LAS PATAS. ¡SI LOS TORNILLOS NO ESTÁN BIEN INSTALADOS, LA ESCALERA FALLARÁ!

7. Instalación de los soportes de advertencia de la escalera 11: Con el texto mirando hacia afuera, inserte un tornillo de máquina 7 (con la arandela 8) desde la parte interna de la escalera y apriételo con una arandela de cierre 9 y, por último, una tuerca de tapón 10.



Verifique que coloca la arandela 8 debajo del tornillo 7 y la arandela de cierre 9 debajo de la tuerca de tapón 10.

FIG. 5

MANTENIMIENTO

1. El barro puede hacer resbalar. Mantenga los escalones de la escalera limpios de barro.
2. Vuelva a apretar la tornillería de la escalera de modo regular. LA TORNILLERÍA FLOJA HARÁ QUE LA ESCALERA FALLE.

