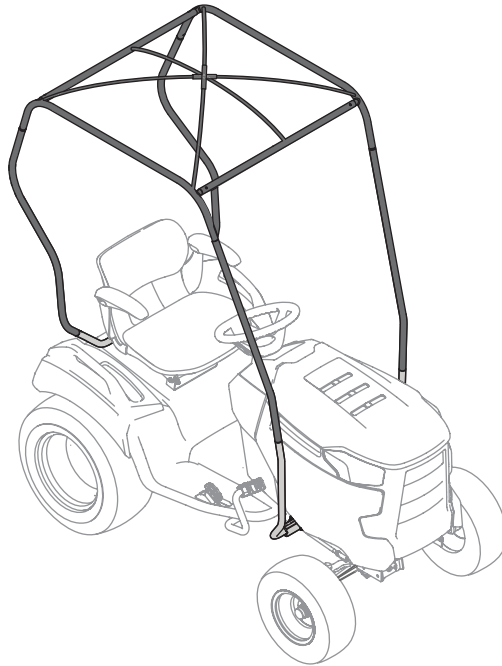


OPERATOR'S MANUAL



Snow Cab/Sun Shade

⚠ WARNING

**READ AND FOLLOW ALL SAFETY RULES AND INSTRUCTIONS IN THIS MANUAL
BEFORE ATTEMPTING TO OPERATE THIS MACHINE.
FAILURE TO COMPLY WITH THESE INSTRUCTIONS MAY RESULT IN PERSONAL INJURY.**

NOTE: This Operator's Manual covers several models. Features may vary by model. Not all features in this manual are applicable to all models and the model depicted may differ from yours.

MTD LLC, P.O. BOX 361131 CLEVELAND, OHIO 44136-0019



Form No. 769-10774A
(June 26, 2018)

Thank You

Thank you for purchasing this product. It was carefully engineered to provide excellent performance when properly operated and maintained.

Please read this entire manual prior to operating the equipment. It instructs you how to safely and easily set up, operate and maintain your machine. Please be sure that you, and any other persons who will operate the machine, carefully follow the recommended safety practices at all times. Failure to do so could result in personal injury or property damage.

All information in this manual is relative to the most recent product information available at the time of printing. Review this manual frequently to familiarize yourself with the machine, its features and operation. Please be aware that this Operator's Manual may cover a range of product specifications for various models. Characteristics and features discussed and/or illustrated in this manual may not be applicable to all models. We reserve the right to change product specifications, designs and equipment without notice and without incurring obligation.

If applicable, the power testing information used to establish the power rating of the engine equipped on this machine can be found at www.opei.org or the engine manufacturer's web site.

If you have any problems or questions concerning the machine, phone your local authorized MTD service dealer or contact us directly. MTD's Customer Support telephone numbers, website address and mailing address can be found on this page. We want to ensure your complete satisfaction at all times.

Throughout this manual, all references to *right* and *left* side of the machine are observed from the operating position.

Table of Contents

<i>Safe Operations</i>	3
<i>Assembly & Set-Up</i>	5
<i>Warranty</i>	Back Cover

Customer Support

Please do NOT return the machine to the retailer or dealer without first contacting the Customer Support Department.

If you have difficulty assembling this product or have any questions regarding the controls, operation, or maintenance of this machine, want to order replacement parts/attachments/accessories, or want to view an online How-To video; you can seek help from the experts. Have your full model number and serial number ready. Choose from the options below:

- ◇ *Web:* www.mtdproducts.com/equipment/mtdproducts
- ◇ *Phone:* (800) 800-7310
- ◇ *Mail:* MTD LLC • P.O. Box 361131 • Cleveland, OH • 44136-0019



WARNING! This symbol points out important safety instructions which, if not followed, could endanger the personal safety and/or property of yourself and others. Read and follow all instructions in this manual before attempting to operate this machine. Failure to comply with these instructions may result in personal injury.

When you see this symbol. **HEED ITS WARNING!**

CALIFORNIA PROPOSITION 65



WARNING! Engine Exhaust, some of its constituents, and certain vehicle components contain or emit chemicals known to State of California to cause cancer and birth defects or other reproductive harm.



WARNING! Battery posts, terminals, and related accessories contain lead and lead compounds, chemicals known to the State of California to cause cancer and reproductive harm. *Wash hands after handling*



DANGER! This machine was built to be operated according to the safe operation practices in this manual. As with any type of power equipment, carelessness or error on the part of the operator can result in serious injury. This machine is capable of amputating hands and feet and throwing objects. Failure to observe the following safety instructions could result in serious injury or death.

General Operation

1. Read, understand, and follow all instructions on the machine and in the manual(s) before attempting to assemble and operate. Keep this manual in a safe place for future and regular reference and for ordering replacement parts.
2. Be familiar with all controls and their proper operation. Know how to stop the machine and disengage them quickly.
3. Never allow children under 14 years of age to operate this machine. Children 14 and over should read and understand the instructions and safe operation practices in this manual and on the machine and should be trained and supervised by an adult.
4. Never allow adults to operate this machine without proper instruction.
5. The snow cab/sun shade frame add height to the machine. Low tree limbs, clothes lines, door entry ways and other overhead structures that did not interfere with the machine operation before, may now present a hazard. Be sure you have adequate clearance before driving under them.
6. Check overhead clearances carefully before driving under low hanging tree branches, wires, door openings etc., where the operator may be struck or pulled from the machine, which could result in serious injury.
7. If situations occur which are not covered in this manual, use care and good judgment. Contact your customer service representative for assistance.
8. Breathing Carbon Monoxide can cause headaches, nausea, fainting or death.
9. Do not block air vents as Carbon Monoxide may accumulate inside the cabin.
10. Never run your riding mower in an enclosed space or garage.
11. This snow cab/sun shade is designed to provide an element of protection from seasonal weather only. It is not designed to provide protection from noise, exhaust fumes, chemicals or injury from collision or other accidents. This structure does not provide roll-over protection.
12. Neither the snow cab or sun shade is intended to provide complete protection from the sun. Use sunscreen or wear protective clothing for additional protection.

Children

1. Tragic accidents can occur if the operator is not alert to the presence of children. Children are often attracted to the machine and the mowing activity. They do not understand the dangers. Never assume that children will remain where you last saw them.
 - a. Keep children out of the mowing area and in watchful care of a responsible adult other than the operator.
 - b. Be alert and turn machine off if a child enters the area.
 - c. Before and while backing, look behind and down for small children.
 - d. Never carry children, even with the blade(s) shut off. They may fall off and be seriously injured or interfere with safe machine operation.
 - e. Use extreme care when approaching blind corners, doorways, shrubs, trees or other objects that may block your vision of a child who may run into the path of the machine.
 - f. To avoid back-over accidents, always disengage the cutting blade(s) before shifting into Reverse. If equipped, the "Reverse Caution Mode" should not be used when children or others are around.
 - g. Keep children away from hot or running engines. They can suffer burns from a hot muffler.
 - h. Remove key when machine is unattended to prevent unauthorized operation.




2. Never allow children under 14 years of age to operate this machine. Children 14 and over should read and understand the instructions and safe operation practices in this manual and on the machine and should be trained and supervised by an adult.

General Service

1. Keep all nuts, bolts, and screws tight to be sure the equipment is in safe working condition.
2. After striking a foreign object, stop the engine, disconnect the spark plug wire(s) and ground against the engine. Thoroughly inspect the machine for any damage. Repair the damage before starting and operating.
3. Never attempt to make adjustments or repairs to the machine while the engine is running.
4. Grass catcher components and the discharge cover are subject to wear and damage which could expose moving parts or allow objects to be thrown. For safety protection, frequently check components and replace immediately with original equipment manufacturer's (O.E.M.) parts only, listed in this manual. "Use of parts which do not meet the original equipment specifications may lead to improper performance and compromise safety!"
5. Maintain or replace safety and instruction labels, as necessary.

Safety Symbols

This page depicts and describes safety symbols that may appear on this product. Read, understand, and follow all instructions on the machine before attempting to assemble and operate.

Symbol	Description
	READ THE OPERATOR'S MANUAL(S) Read, understand, and follow all instructions in the manual(s) before attempting to assemble and operate
	WARNING — CARBON MONOXIDE Breathing Carbon Monoxide can cause headaches, nausea, fainting or death. Do not block air vents as Carbon Monoxide may accumulate inside the cabin. Never run your riding mower in an enclosed space or garage.
	WARNING — ROLLOVER This frame will not protect against rollover.



WARNING! Your Responsibility—Restrict the use of this power machine to persons who read, understand and follow the warnings and instructions in this manual and on the machine.

SAVE THESE INSTRUCTIONS!

Contents of Carton

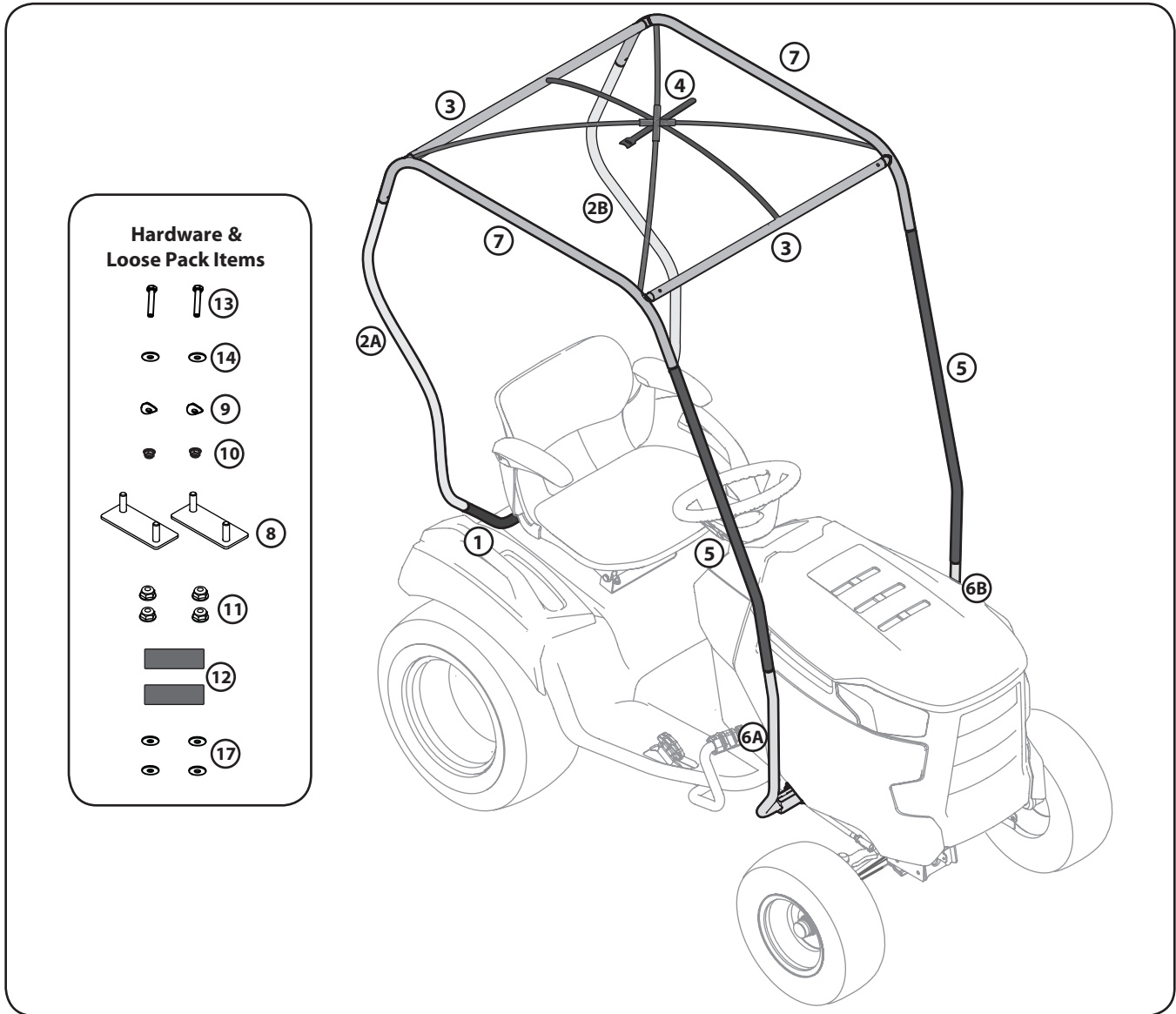


Figure 3-1

Ref.	Part Number	Description	Qty.
1	749-05389B	Rear Support	1
2A	749-05387A	Rear Right Support	1
2B	749-05388A	Rear Left Support	1
3	749-07234	Cross Support	2
4	720-05501	Center Support Rod Kit	1
5	749-05384A	Front Support	2
6A	649-05054A	Front Right Support	1
6B	649-05055A	Front Left Support	1
7	649-05053A	Side Support	2
8	683-05220	Front Canopy Mount Plate	2
9	736-0451	Sdle. Wash., .320 x .930 x .060	2

Ref.	Part Number	Description	Qty.
10	712-04063	Flange Lock Nut, 5/16-18	2
11	712-04064	Flange Lock Nut, 1/4-20	4
12	777X45500	Reflector Labels	2 *
13	710-3180	Hex Screw, 5/16-18 x 1.75	2
14	736-3078	Fl. Wash, .344 x 1.000 x .063	2
15	736-0142	Fl. Washers, .281x.500x.063	4
NS	790-00712	Snow Cab	1 *
NS	790-00710	Sun Shade	1 *

* -- If equipped

NOTE: All references to LEFT, RIGHT, FRONT, and REAR indicate the Snow Cab/Sun Shade position when sitting in the tractor seat in the operator's position.



CAUTION: Do not transport the tractor on a trailer or in the bed of a truck with the snow cab or sun shade installed.

Assembly

Before beginning installation, remove all parts from the carton to make sure everything is present. Carton contents listed on page 5.

NOTE: Some tractors will require the use of the Snow Cab/Sun Shade Mounting Kit (#759-05086) in order to install. The templates to drill the required holes and instructions are on page 9. To order the snow cab/sun shade mounting kit see your authorized service dealer or contact Customer Support.

- Using two of the flange lock nuts (Ref. part #11) and two of the washers (Ref. part #15) and one of the front canopy mount plates (#8), mount the front left support (#6B) to the frame of the tractor as shown in Figure 3-2.

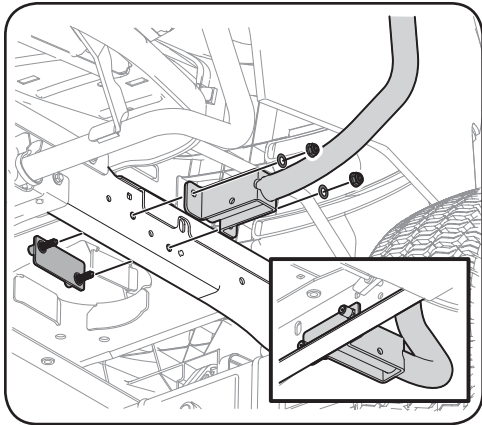


Figure 3-2

- If your tractor is equipped with a drain hose as shown below, the oil drain tube and clip must be removed from the frame before installing the front right support (#6A). See Figure 3-3. The oil drain tube and clip will be fitted onto the front right support bracket when it is installed.

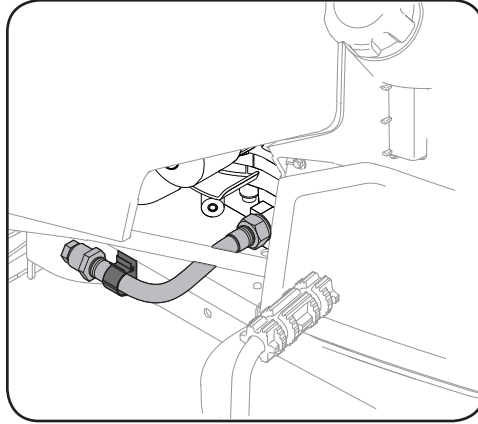


Figure 3-3

- Repeat the mounting steps (Starting with Step 1) on the right side of the tractor to mount the front right support (#6A).
- Install the oil drain tube clip onto the front right support bracket (#6A) in the mounting hole. See Figure 3-4.

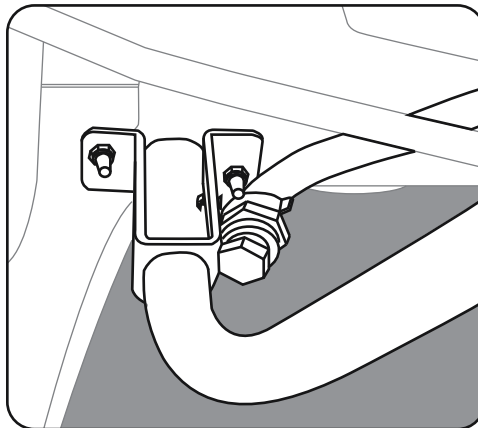


Figure 3-4

- Use two flange lock nuts (#10), two saddle washers (#9), two flat washers (#14) and two hex screws (#13) to mount the rear support (#1) to the frame of the tractor as shown in Figure 3-5.

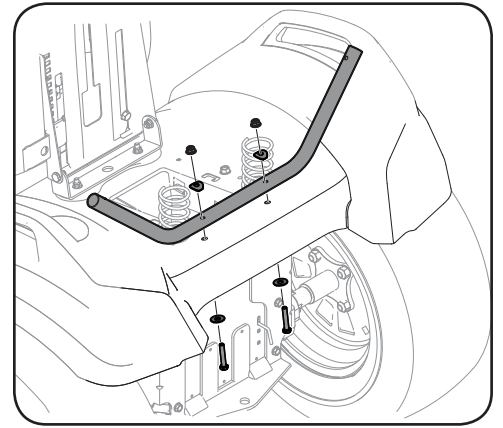


Figure 3-5

- Assemble the frame of the Snow Cab/Sun Shade by connecting the numbered parts as shown in Figure 3-1.
- The frame pieces connect with a spring clip inserted into the hole of the connecting part to secure each piece in place. Press down on the spring clip button and slide it inside the connecting piece until it snaps into the hole. See Figure 3-6.

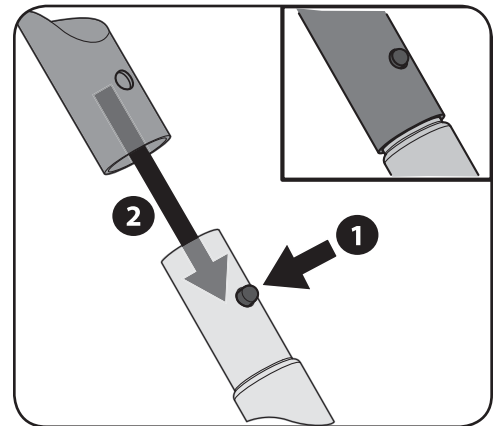


Figure 3-6

NOTE: Refer to Figure 3-1 for proper location and assembly of the frame pieces.

- Assemble the canopy prior to attaching it to the top of the frame. Insert the cross supports (Ref. part #3) into the side supports (Ref. part #7). Then attach the center rod (Ref. part #4) in the mouting holes located on the front and rear cross supports. Then assemble the cross support rods (Ref. part #4) with rod connectors (Ref. part #4) and place the ends into the mouting holes located on the inside of the side supports.

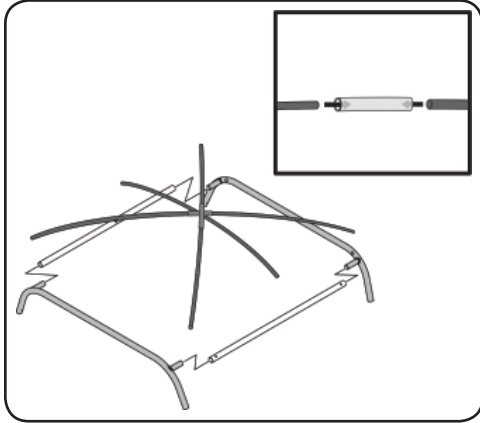


Figure 3-7

- Wrap the velcro around the center rod and cross support rods.
- Finally attach the top side supports to the rear side supports and the front side supports.

Installing the Sun Shade

NOTE: If you purchased the Snow Cab Kit (19A30022100) alone, the Sun Shade attachment (790-00710) can be ordered separately.

- Slide the sun shade over the top of the frame with the long mesh flap towards the back.
- There are four tie-down straps on the outside corners of the sun shade; two in the front and two in the back. Secure the front and back of the sun shade with these straps as shown in Figure 3-8.



Figure 3-8

- There are two straps on the rear mesh flap of the sun shade. Wrap these around the rear supports and secure as shown in Figure 3-9.

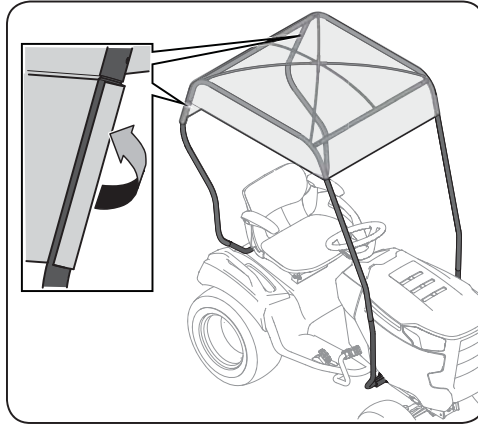


Figure 3-9

Installing the Snow Cab

NOTE: If you purchased the Sun Shade kit (Part #19A30021100) alone, you can order the Snow Cab attachment (790-00712) seperately.

NOTE: To help remove any wrinkles in the snow cab, leave the snow cab unfolded out in the sun.

- Unfold the snow cab and lay it over the top of the frame. Make sure that the silver/gray reflector along the upper rear of the back window is facing towards the rear of the tractor. See Figure 3-10.



Figure 3-10

- Remove the backing tape on the reflector labels and install the labels on the outside of the cab as shown in Figure 3-11.



Figure 3-11

- There are five clips around the base of the snow cab, three on the back and one each on the left and right side.
- The rear center clip clips onto the center of the fender. See Figure 3-12.

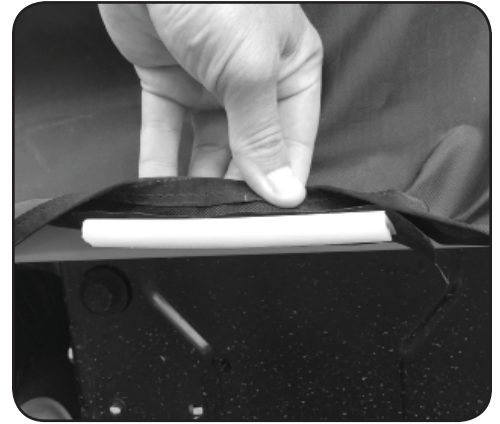


Figure 3-12

- The outer rear clips clip onto the fenders near the wheels. See Figure 3-13.



Figure 3-13

- The outer front clips attach to the front fenders near the wheels. See Figure 3-14.



Figure 3-14

- A bungee strap runs over the front of the hood. This strap is used to tighten the snow cab around the hood and prevent snow from entering the cab. The hooks of the strap are hooked onto the hood near the front wheels. See Figure 3-15.



Figure 3-15

- Unzip the cab door and locate the five straps inside the cab. There is one in the front (near the hood) and a four along the top. Snap the ends of each strap together and then tighten them securely. See Figure 3-16.



Figure 3-16

- A pair of magnets are on the bottom section of each side of the floor boards. These magnets help hold the lower portion of the snow cab against the floorboards. See Figure 3-17.

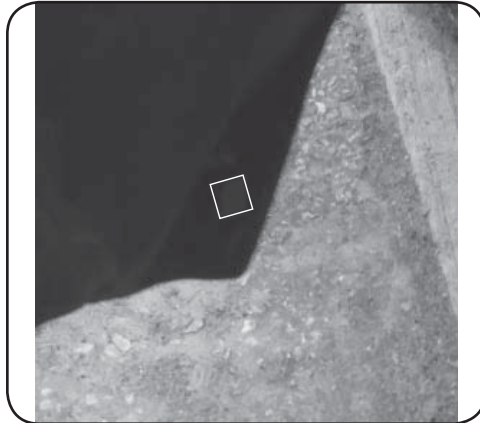


Figure 3-17

- Secure the two velcro tabs on the back corners of the snow cab to ensure a tight fit. See Figure 3-18.

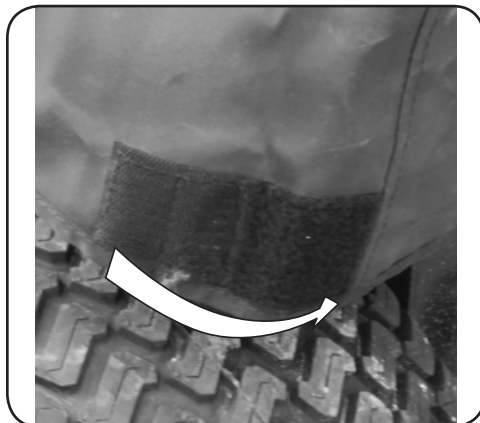


Figure 3-18

- If your tractor has a snow thrower installed, the chute directional control can be positioned or routed inside the cab through the zippered opening on the left side of the cab. See Figure 3-19.



Figure 3-19

- The lift handle and trigger control can be accessed by unzipping the right side of the snow cab. See Figure 3-20.



Figure 3-20

NOTE: These zippers can also be opened for air circulation.

Drill Templates

NOTE: Some tractors will require the use of the Snow Cab/Sun Shade Mounting Kit (#759-05086) in order to install. To order the snow cab/sun shade mounting kit see your authorized service dealer or contact Customer Support or use the paper templates to the Right.

1. Align template A on the right side of the tractor as shown in secure in place with the hex screw, nut and screw from the Snow Cab/Sun Shade Mounting Kit. See Figure 3-21.

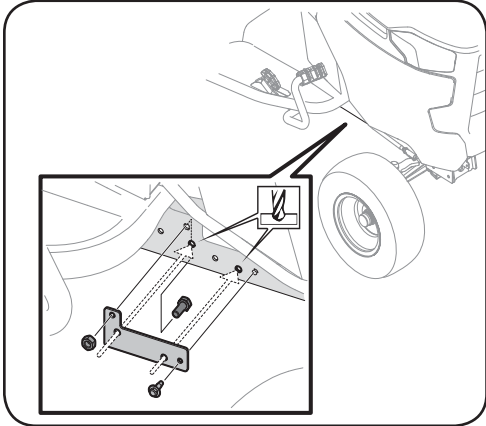


Figure 3-21

2. Drill the appropriate holes with the $\frac{3}{32}$ " drill bit provided in the Snow Cab/Sun Shade Mounting Kit. See Figure 3-21.
3. Remove template A.
4. Align template B on the left side of the tractor and secure in place with the hex screws and nuts from the Snow Cab/Sun Shade Mounting Kit. See Figure 3-22.

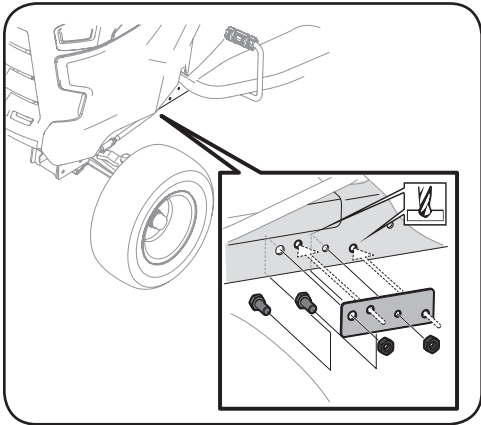
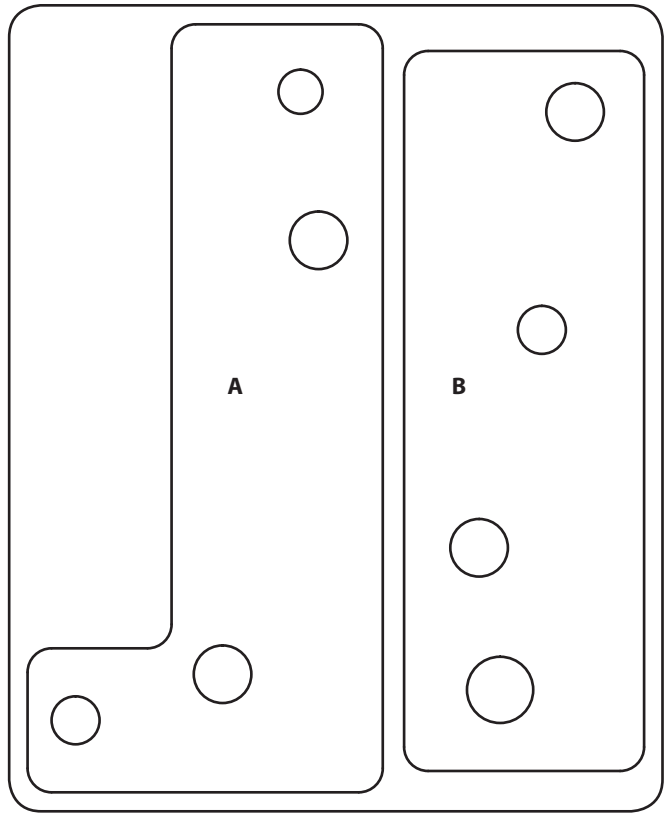
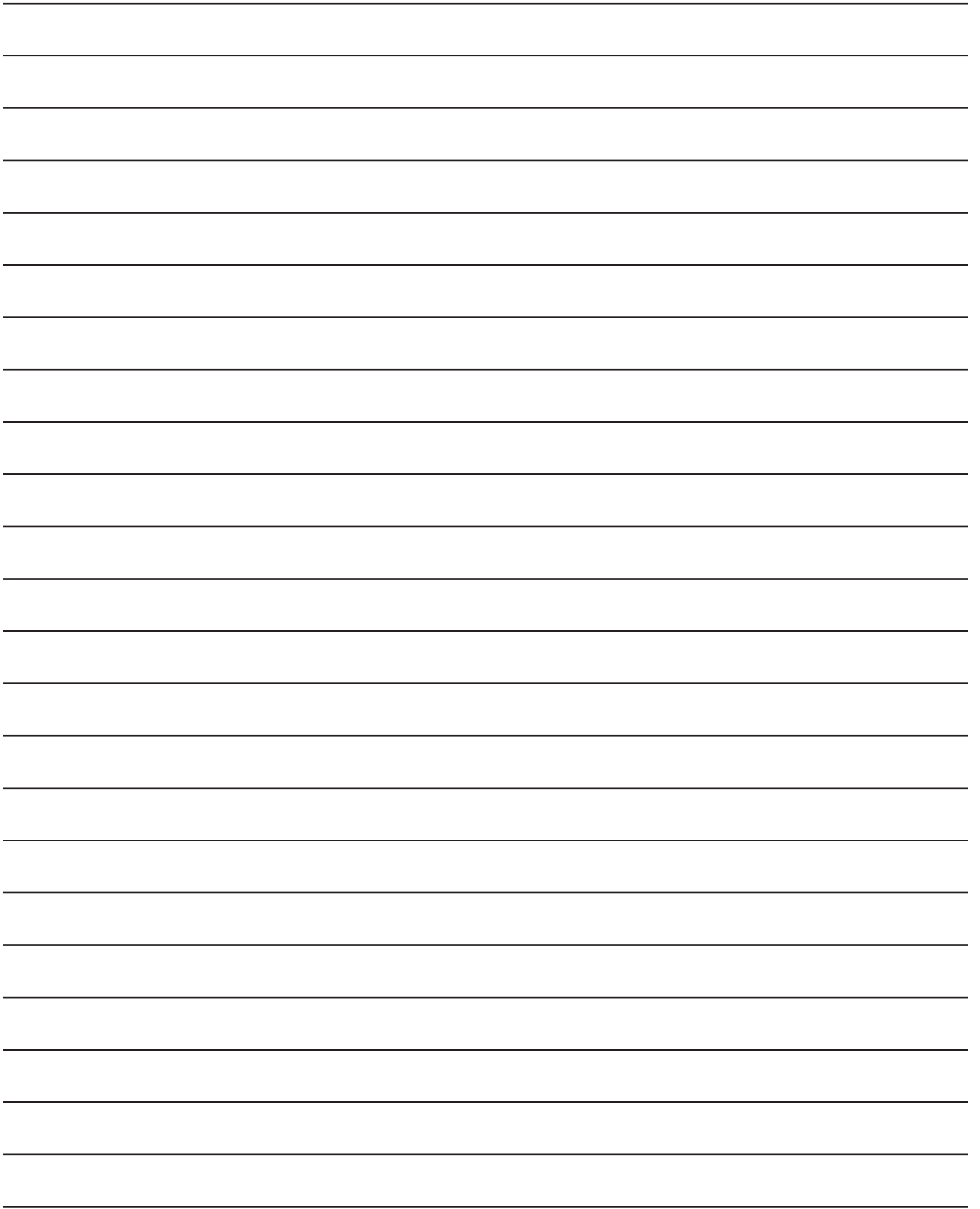


Figure 3-22

5. Drill the appropriate holes with the $\frac{3}{32}$ " drill bit provided in the Snow Cab/Sun Shade Mounting Kit. See Figure 3-22.
6. Remove template B and begin the Assembly steps on page 6.





MANUFACTURER'S LIMITED WARRANTY FOR



The limited warranty set forth below is given by MTD LLC with respect to new merchandise purchased and used in the United States and/or its territories and possessions, and by MTD Products Limited with respect to new merchandise purchased and used in Canada and/or its territories and possessions (either entity respectively, "MTD").

"MTD" warrants this product (excluding its *Normal Wear Parts* and *Attachments* as described below) against defects in material and workmanship for a period of one (1) year commencing on the date of original purchase and will, at its option, repair or replace, free of charge, any part found to be defective in materials or workmanship. This limited warranty shall only apply if this product has been operated and maintained in accordance with the Operator's Manual furnished with the product, and has not been subject to misuse, abuse, commercial use, neglect, accident, improper maintenance, alteration, vandalism, theft, fire, water, or damage because of other peril or natural disaster. Damage resulting from the installation or use of any part, accessory or attachment not approved by MTD for use with the product(s) covered by this manual will void your warranty as to any resulting damage.

Normal Wear Parts are warranted to be free from defects in material and workmanship for a period of thirty (30) days from the date of purchase. Normal wear parts include, but are not limited to items such as: batteries, belts, blades, blade adapters, tines, grass bags, wheels, rider deck wheels, seats, snow thrower skid shoes, friction wheels, shave plates, auger spiral rubber and tires.

Attachments — MTD warrants attachments for this product against defects in material and workmanship for a period of one (1) year, commencing on the date of the attachment's original purchase or lease. Attachments include, but are not limited to items such as: grass collectors and mulch kits.

HOW TO OBTAIN SERVICE: Warranty service is available, WITH PROOF OF PURCHASE, through your local authorized service dealer. To locate the dealer in your area:

In the U.S.A.

Check your Yellow Pages, or contact MTD LLC at P.O. Box 361131, Cleveland, Ohio 44136-0019, or call 1-800-800-7310, 1-330-220-4683 or log on to our Web site at www.mtdproducts.com.

In Canada

Contact MTD Products Limited, Kitchener, ON N2G 4J1, or call 1-800-668-1238 or log on to our Web site at www.mtdcanada.com.

This limited warranty does **not** provide coverage in the following cases:

- a. Log splitter pumps, valves, and cylinders have a separate one-year warranty.

- b. Routine maintenance items such as lubricants, filters, blade sharpening, tune-ups, brake adjustments, clutch adjustments, deck adjustments, and normal deterioration of the exterior finish due to use or exposure.
- c. Service completed by someone other than an authorized service dealer.
- d. MTD does not extend any warranty for products sold or exported outside of the United States and/or Canada, and their respective possessions and territories, except those sold through MTD's authorized channels of export distribution.
- e. Replacement parts that are not genuine MTD parts.
- f. Transportation charges and service calls.
- g. MTD does not warrant this product for commercial use.

No implied warranty, including any implied warranty of merchantability or fitness for a particular purpose, applies after the applicable period of express written warranty above as to the parts as identified. No other express warranty, whether written or oral, except as mentioned above, given by any person or entity, including a dealer or retailer, with respect to any product, shall bind MTD. During the period of the warranty, the exclusive remedy is repair or replacement of the product as set forth above.

The provisions as set forth in this warranty provide the sole and exclusive remedy arising from the sale. MTD shall not be liable for incidental or consequential loss or damage including, without limitation, expenses incurred for substitute or replacement lawn care services or for rental expenses to temporarily replace a warranted product.

Some states do not allow the exclusion or limitation of incidental or consequential damages, or limitations on how long an implied warranty lasts, so the above exclusions or limitations may not apply to you.

In no event shall recovery of any kind be greater than the amount of the purchase price of the product sold. **Alteration of safety features of the product shall void this warranty.** You assume the risk and liability for loss, damage, or injury to you and your property and/or to others and their property arising out of the misuse or inability to use the product.

This limited warranty shall not extend to anyone other than the original purchaser or to the person for whom it was purchased as a gift.

HOW STATE LAW RELATES TO THIS WARRANTY: This limited warranty gives you specific legal rights, and you may also have other rights which vary from state to state.

IMPORTANT: Owner may be required to present proof of purchase to obtain warranty coverage.

**MTD LLC, P.O. BOX 361131 CLEVELAND, OHIO 44136-0019; Phone: 1-800-800-7310, 1-330-220-4683
MTD Canada Limited - KITCHENER, ON N2G 4J1; Phone 1-800-668-1238**