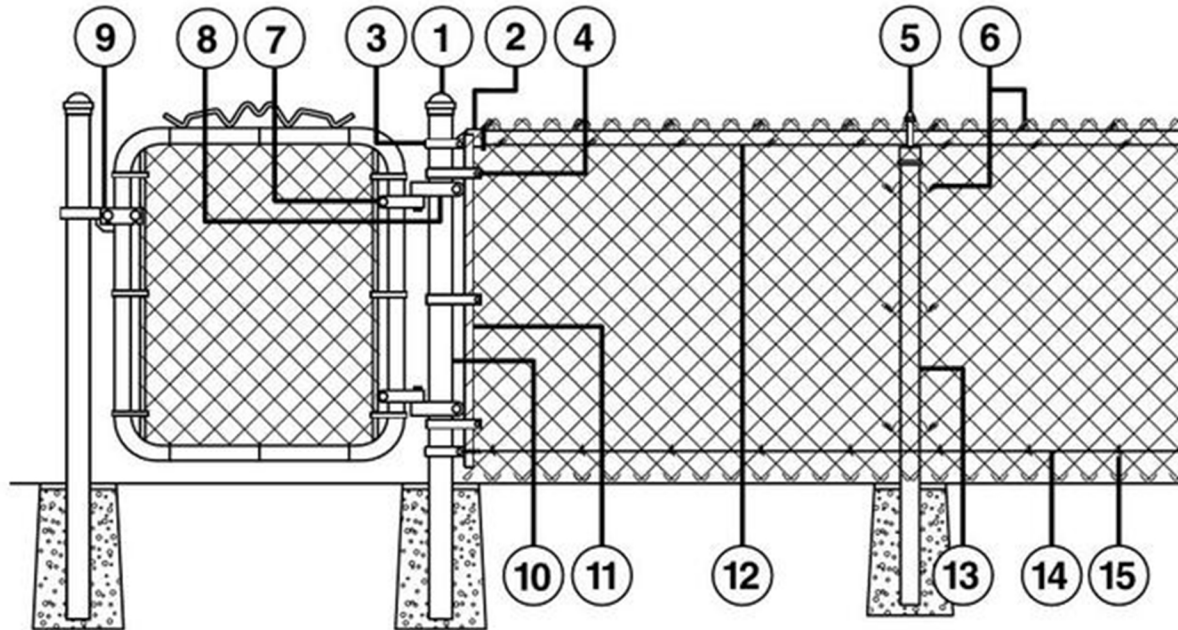


Chain-Link Fence Installation Manual

Get to know the parts...



Where the parts go to...



- | | | |
|---------------------|--------------------|-----------------------|
| ① Terminal Post Cap | ⑥ Fence Tie | ⑪ Tension Bar |
| ② Rail End | ⑦ Gate Frame Hinge | ⑫ Top Rail |
| ③ Rail End Band | ⑧ Gate Post Hinge | ⑬ Line Post |
| ④ Tension Band | ⑨ Gate Fork Latch | ⑭ Bottom Tension Wire |
| ⑤ Line Post Top | ⑩ Terminal Post | ⑮ Tension Wire Clip |

How to assemble...

Install Terminal Posts

1. Dig holes about 8 in. in diameter and 20-30 in. deep.
2. Place terminal post inside the hole and mark the ground level on post. Post height above ground should be the height of chain-link fabric plus 2 in. Remove the post.
3. Pour wet concrete into holes till 3-4 in. beneath ground level. Do not fill holes to top.
4. Place the post in the center of hole. Backfill with dirt and step on the backfill to pack.

Install Line Posts

1. After terminal post footings have hardened, tie each end of a string to the terminal posts to use as a guide for line posts in between. Place the string on the outside of the posts and 4 in. down from the top of the post.
2. Determine the distance between line posts and dig holes about 6 in. in diameter and about 20 in. deep. Height of line posts above ground should be 2 in. lower than the chain-link fabric height.
3. Follow step 2-4 in Install Terminal Posts. Make sure line posts are on the center line of the terminal posts and top of post is level with the string guide.

(Post anchors can be used as alternative to concrete)

Install Fittings

1. Slip the brace bands and tension bands onto the terminal posts.
The long flat surface of the tension band should face toward the outside of the fence.
Use 1 tension band for every 14-16 in. of fence height.
2. Apply post caps on top of terminal posts.

Install Top Rail

1. Place loop cap on top of line post. The off-set side should face toward the chain-link fabric side of the fence.
2. Insert a top rail through the loop on top of the closest line post. Slip rail end cap onto the end of the top rail and attach it to the terminal post with the brace band.
3. Some top rail have a swedged end, which will fit into another piece of rail. To add sections of rail, slide each swedged end into a non-swedged end. For rails without a swedged end, rail sleeve can be used as a connector.
4. When rail reaches the next terminal post, cut the excess rail. Apply rail end cap, and fasten rail end cap to brace band on the terminal post.

Install Tension Wire

Wrap tension wire once around carriage bolt on bottom brace band (on terminal post). Use pliers to twist wire around itself to secure. Tension wire runs along the same side of the posts as the fabric.

Install Chain-Link Fabric

1. Unroll chain-link fabric on the ground along the outside of the fence. Slide a tension bar through the first row of chain link diamonds. Fasten tension bands (evenly placed on terminal post) to the tension bar with carriage bolts' heads to the outside of the fence.
2. Stretch the Fabric. Temporarily insert a tension bar a couple of feet from the unattached end of fabric. Pull the tension bar to stretch the fabric until it only allows a slight amount of give when squeezed by hand.
3. Remove the excess fabric with pliers by opening the top and bottom loops of a single strand of wire. Unwind the strand up through the links until the fabric comes apart.
4. Insert a tension bar at the end of the fabric and connect to tension bands on terminal post.
5. Fasten the fabric securely to line posts and top rail with tie wire.

Install Chain-Link Fabric

1. Install female hinges on gate frame using nuts and bolts. Nuts to be installed on the inside of the enclosure. Hold gate and mark the location of male hinges.
2. Install male hinges to gate post. Point the male hinge on the bottom up and the one on top down.
3. Place gate on bottom hinge and lower top male hinge into female hinge.
4. Test swing the gate and adjust as needed. Tighten all hinge bolts.
5. Attach gate fork latch at a convenient height.