



FULL-CASSETTE Retractable Awning PRODUCT MANUAL

Do not leave the awning extended during extreme weather conditions such as wind, rain, snow and ice. Extreme weather conditions may cause the arms to break and can cause physical injury or property damage. Awntech does not take any responsibility for weather related damages and or improper use or handling.

Congratulations and thank you for purchasing your Beauty-Mark Retractable Awning by Awntech. We at Awntech hope you put good use to this product as a way to escape the brutal sunlight and painful heat that accompany the summer season. As you can see, the awning is fully assembled; however, a few steps are necessary to put it to use. The following pages will walk you through the process of mounting, adjusting, and deploying your awning.

BEFORE YOU BEGIN:

Please read through the instructions completely prior to attempting installation. Damages to the awning during installation are not covered by the warranty. After reading, if you feel that you still need additional installation assistance, please contact a local contractor for professional installation.

TIME REQUIRED FOR INSTALLATION
1-2 HOURS

NUMBER OF INSTALLERS REQUIRED
2-3 PERSONS

Installation Notes: Drop in Awning Pitch

Wall construction may cause many problems in the pitch of the awning. The wall is recommended to be perpendicular to the ground in order to avoid awkward mounting positions. Use a level to check the angle of the wall the awning is being mounted on.

The weight of the awning, especially when extended, will cause unforeseen force/drag/depression on certain wall materials. This pressure will influence the pitch of the awning. It is important to make adjustments at the time of bracket installation if you desire zero drop/drag of the front bar when the

awning is extended. The following list of wall materials and steps necessary to correct drop/drag are provided:

1. **Wood:** The weight of the awning will force the wood to bow/twist. Place enough (2-4) large washers between the wood and bottom holes of the brackets to adjust the angle of the brackets. This will compensate for the unwanted drop/drag of the front bar when the awning is extended.
2. **Siding:** The awning weight will force siding material to compress/warp/twist as there is a gap between siding and structural supports in the wall. Place enough (2-4) large washers between the siding and bottom holes of the brackets to adjust the angle of the brackets. This will compensate for the unwanted drop/drag of the front bar when the awning is extended.
3. **Brick:** Bricks may be uneven. Place a board or flat surface across installation plane to determine whether brackets will be level. Place enough (2-4) large washers between the brick and bottom holes of the brackets to adjust the angle of the brackets. This will compensate for the unwanted drop/drag of the front bar when the awning is extended.

Included Parts List:

- Beauty-Mark Retractable Awning (arrives completely assembled with fabric canopy)
- 2-6 Wall Mounting Brackets & Hardware – Depending on Size (see chart below)
- Rocker Arm or Crank Handle
- Remote Control (if motorized unit was purchased)
- Owner’s Manual

NO MOUNTING HARDWARE IS PROVIDED TO MOUNT THE WALL BRACKETS TO THE MOUNTING SURFACE DUE TO VARIOUS WALL TYPES

Awnings Sizes and Brackets Quantity					
Width	Projection	Brackets	Width	Projection	Brackets
8'	7'	2	16'	10'	4
10'	8'	2	18'	10'	5
12'	10'	3	20'	10'	5
14'	10'	3	24'	10'	6

Projection measured from the wall to the front bar. Optional projection available for additional cost.

Required Items For Installation:

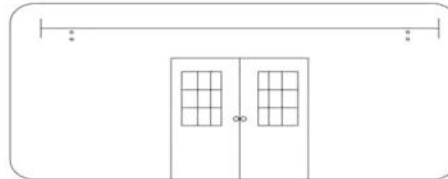
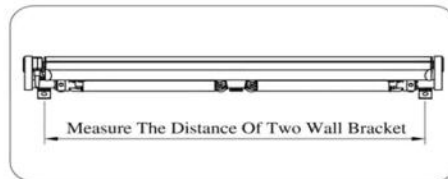
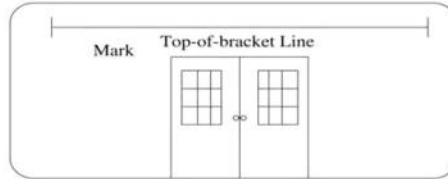
- Drill
- Full wood/metal and masonry bit set (3/8 shank-1/2 bit for masonry applications)
- 2-3 16’ extension ladders
- Stud Finder
- Full ratchet and socket set
- Screwdriver set
- String level
- Tape Measure
- Chalk line
- An assistant (two, if awning is more than 12’ long)

INSTALLATION OF THE AWNING

WARNING!

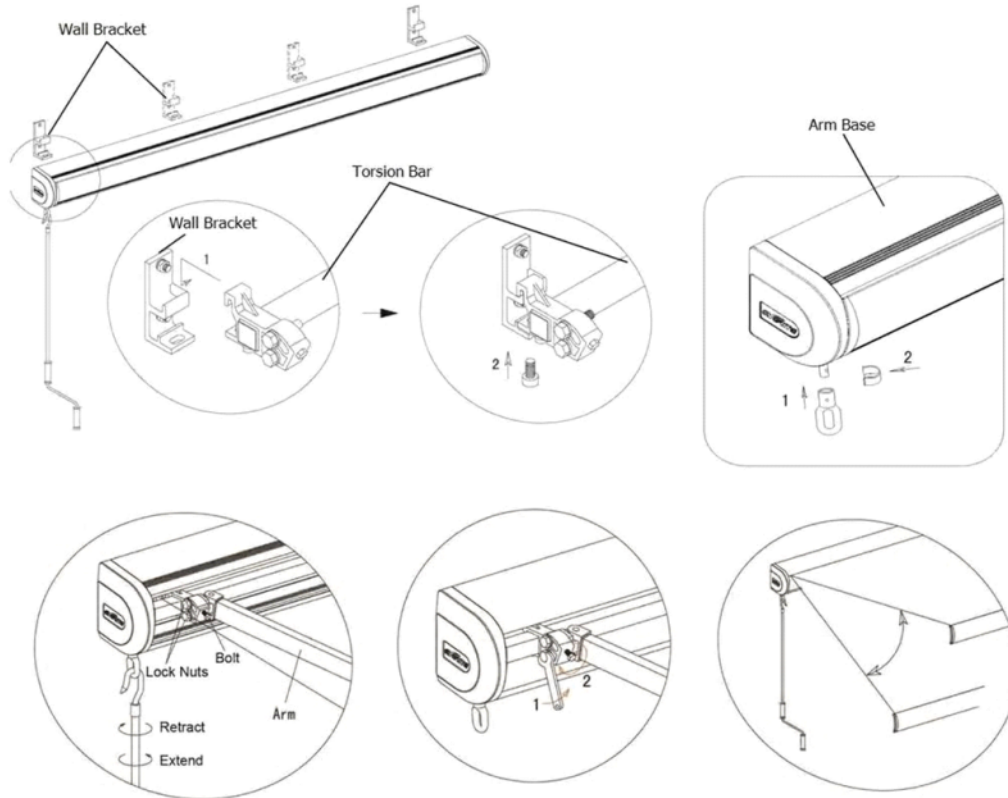
Incomplete fasteners will weaken the product strength and cause potential danger. It is recommended that the installation is carried out by professionals.

1. Open the carton and remove all protective packing material. Identify and match the provided parts against the parts list. Place parts on a non-abrasive surface to avoid scratches. Do not attempt installation if any parts are missing or damaged.
2. Mark the appropriate place for your awning (ideal height: 8' from the floor or ground; not less than 79"). Center the area over the focal point (doors/windows etc.).
3. Start from the mid-point where you want your awning to be place. Make a removable vertical mark with chalk. Measure the distance of the two outer wall brackets.
4. Use a chalk line to draw a line from end to end. This should be where the top of the brackets will be placed and should be level. Note: This line may not be parallel with other structural lines, such as siding, etc.
5. The location of the brackets is fixed on the awning. It cannot be moved or altered. Measure the distance between the brackets on the awning and install the brackets at the same distance. The brackets must be attached to the wall vertically.
6. Installation varies according to the wall type. Use the mortar or masonry anchors for concrete or brick wall. If the wall type is wood or siding, use the lag screws/bolts. If there are no wall studs available at the location of the wall brackets, we recommend a runner (6" x 2" x Width of Awning) to be installed followed by the installation of wall brackets on the runner.
7. The installation instructions are generic for all awning sizes and wall types. Please seek advice from a professional before you install the awning.



HANGING THE AWNING

At least 2 adults are needed to hang the awning into the wall brackets. Begin mounting by lifting the awning and placing the torsion bar into the brackets as shown in the figure below. If the torsion bar cannot be easily slipped into the bracket, lift the front profile slightly. If it still does not fit, loosen the bracket nuts (7) located on the torsion bar, adjust the torsion bar angle, and remount. Once the awning is placed securely in the wall brackets, tighten all bolts to prevent the torsion bar from slipping out.



OPERATION INSTRUCTIONS

To deploy or retract the awning:

- Rotate the hand crank clockwise/counterclockwise to deploy/retract the awning.
- If awning is fully extended/retracted, do not continue rotating the hand crank. This excessive force on the awning may cause severe damage to the gear box as well as the arms.

To adjust the pitch of the awning:

1. Loosen the lock nuts.
2. Turn the jack bolt to adjust pitch from 12° to 45°.
3. Adjust the arm until the front profile is horizontally level.
4. Tighten the lock nuts.