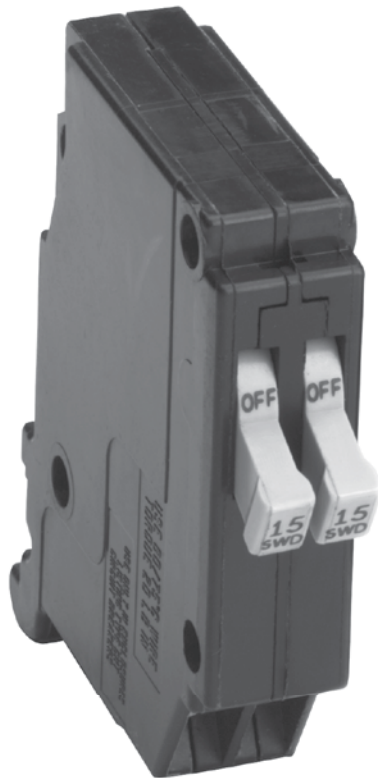


Type CHT (3/4-inch) thermal-magnetic circuit breaker



Description

Beginning in 2008, the National Electrical Code® removed the requirement for circuit limiting in loadcenters. Eaton's Type CH (3/4-inch) twin breaker (CHT) is available in 15–15 A, 15–20 A, and 20–20 A. These breakers are only compatible with Eaton's Type CH loadcenters.

Design features

- Space saving 3/4-inch twin design accommodates more breakers per panel
- Suitable for all CH CTL and non-CTL loadcenters
- Suitable for CH plug-on neutral loadcenters
- Two-position handle eliminates the need to reset the breaker

Product selection

Table 1. Type CHT Selection Chart

Catalog Number	Amperes	Poles	kAIC	Wire
CHT1515	15–15	1–1	10	#14–8
CHT1520	15–20	1–1	10	#14–8
CHT2020	20–20	1–1	10	#14–8

Table 2. Specifications

Description	Specification
Catalog numbers	CHT1515, CHT1520, CHT2020
Voltage requirement	120/240 V
Frequency requirement	50/60 Hz
Ambient temperature	–31 °C to +66 °C (+32 °F to +151 °F) –5 °C to +40 °C (+23 °F to +104 °F)
Humidity	0 % to 93 % humidity, noncondensing
Warranty	Limited lifetime
Standards	UL 489—molded-case circuit breakers and molded-case switches CSA®
UL® file number	E-7819
Ratings	Switching duty rated, HACR rated



Powering Business Worldwide

Dimensions

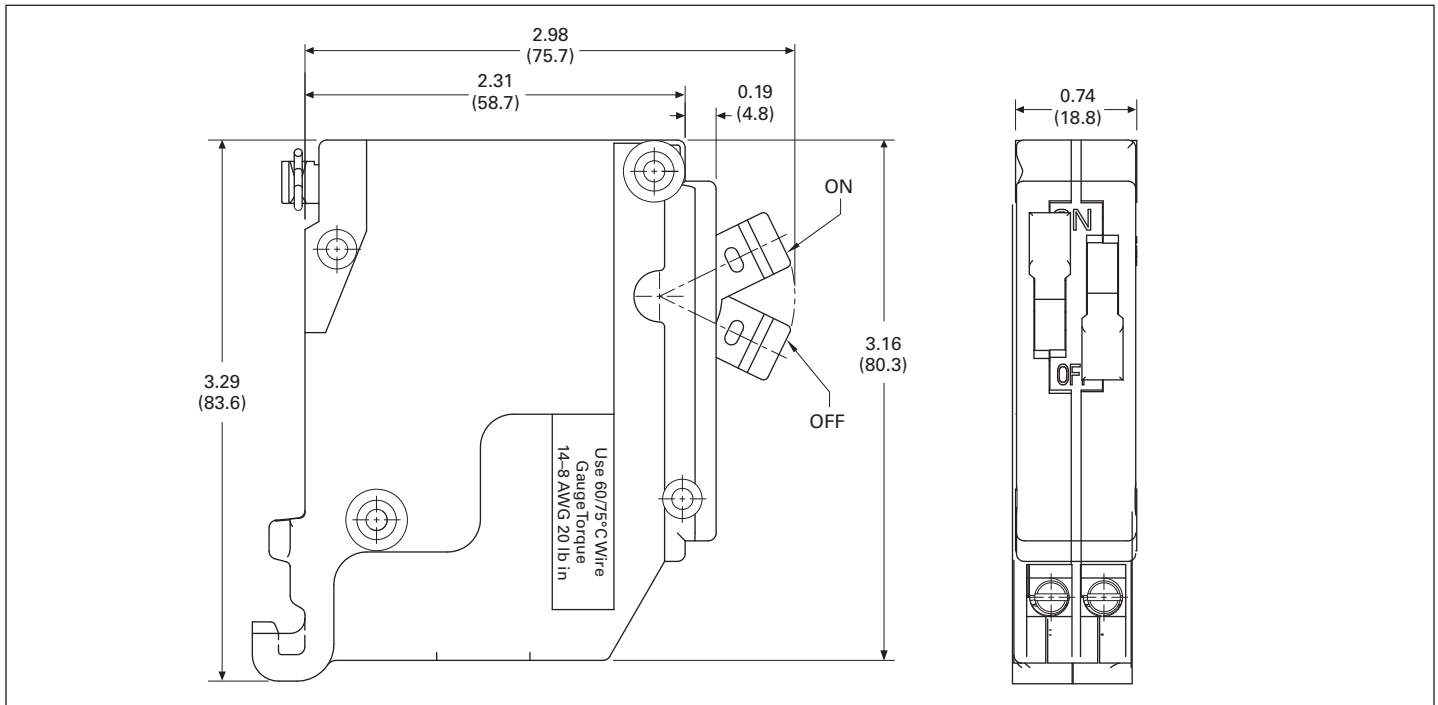


Figure 1. CHT Breaker Dimensions in Inches (mm)

Eaton
1000 Eaton Boulevard
Cleveland, OH 44122
United States
Eaton.com

© 2014 Eaton
All Rights Reserved
Printed in USA
Publication No. TD003004EN / Z15475
July 2014