

VEVOR[®]

TOUGH TOOLS, HALF PRICE

Technical Support and E-Warranty Certificate <https://www.vevor.com/support>

FLOOR HEATING MAT USER MANUAL

We continue to be committed to provide you tools with competitive price.

"Save Half", "Half Price" or any other similar expressions used by us only represents an estimate of savings you might benefit from buying certain tools with us compared to the major top brands and does not necessarily mean to cover all categories of tools offered by us. You are kindly reminded to verify carefully when you are placing an order with us if you are actually saving half in comparison with the top major brands.

VEVOR[®]



NEED HELP? CONTACT US!






Have product questions? Need technical support? Please feel free to contact us:

✉ CustomerService@vevor.com

This is the original instruction, please read all manual instructions carefully before operating. VEVOR reserves a clear interpretation of our user manual. The appearance of the product shall be subject to the product you received. Please forgive us that we won't inform you again if there are any technology or software updates on our product.

IMPORTANT SAFEGUARDS

When using electrical appliances, basic safety precautions should always be followed:

	Warning - To reduce the risk of injury, user must read instructions manual carefully.
	This symbol, placed before a safety comment, indicates a kind of precaution, warning, or danger. Ignoring this warning may lead to an accident. To reduce the risk of injury, fire, or electrocution, please always follow the recommendation shown below.
	Alternating current
	FOR HOUSEHOLD USE ONLY
	<p>Correct Disposal of this product:</p> <p>This marking indicates that this product should not be disposed with other household wastes throughout the EU. To prevent possible harm to the environment or human health from uncontrolled waste disposal, recycle it responsibly to promote the sustainable reuse of material resources. To return your used device, please use the return and collection systems or contact the retailer where the product was purchased. They can take this product for environmental safe recycling.</p>

WARNING:

1. Read instruction manual carefully before installing the mat!
2. Don't heat test until the product is fully unfolded.
3. Never cut the heating (red or blue color) wire!
4. Never join two or more mats together in series!
5. Check that the voltage indicated on the data plate corresponds with that of the local network before connecting the appliance to the mains power supply.

6. If the supply cord is damaged, it must be replaced by the manufacturer, its service agent or similarly qualified persons in order to avoid a hazard.
7. Do not leave the appliance unattended whilst connected to the mains power supply.
8. Do not immerse the appliance in water or any other liquids.
9. Close supervision is required when using this appliance near children.
10. This appliance is not intended for use by persons (including children) with reduced physical, sensory or mental capabilities, or lack of experience and knowledge, unless they have been given supervision or instruction concerning use of the appliance by a person responsible for their safety. Children should be supervised to ensure that they do not play with the appliance.
11. Never leave the appliance within reach of children.
12. Repairs to electrical appliances should only be performed by a qualified electrician. Improper repairs may place the user at serious risk.

SAVE THESE INSTRUCTIONS

Installation advice

All electrical wiring must be done by a fully qualified electrician and in accordance with the current IEE wiring regulations in order to validate product warranty.

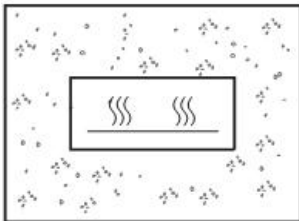
- The insulation board must be installed if you have a wooden substrate. It is also recommended with concrete substrates to optimise efficiency and reduce warming times(up to 50% more thermally efficient).
- Always round down your floor space area e.g. 2.6m² of floor will require 2 m² of matting (To avoid surplus matting).
- Never overlap the mat, always ensure a min.50mm spacing between the wires for optimum heat distribution.
- If there is a matting shortfall in your floor space then concentrate the heat mat in heavily trafficked areas.
- A Residual Current Device(RCD) should be used with this system(must be bought separately).
- Floor must be clean and free from dust & dirt.
- Never cut the heating (red or blue color) wire! Never join two or more mats together in series! If you want to join two or more mats together, please use a

junction box.

- Only use scissors when cutting the mesh.
- The wire is tough but extra care must be taken when using sharp objects near the mat. a plastic trowel is advisable.
- Check your system with a multi-meter before tile installation.
- Ensure your tile adhesive is suitable for use with undertile heating e.g. highly polymer modified(flexible).
- Your substrate and floor covering, e.g. tile adhesive or screed, must be completely dry before switching on your system for the first time.
- Wear gloves when handling the mat(to avoid irritation to skin).
- Take care when tiling to ensure you do not dislodge or damage the wire from the mesh mat.
- The insulation board is not suitable for floor strengthening and structural reinforcing.
- Matting and insulation board should not be passed under permanent fixings e.g. bath, toilet, etc.
- Do not store objects on top of the matting during installation e.g. tiles.
- Remove old floor coverings.



Direct floor heating



Installation in concrete

Fig-A:

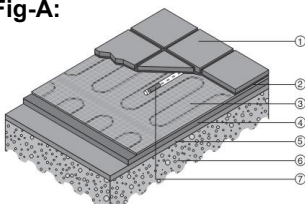


Fig-B:

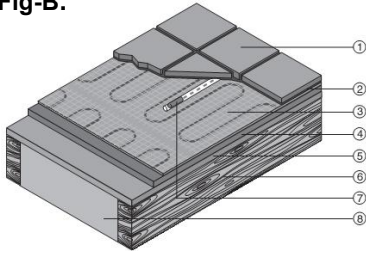


Fig-C:

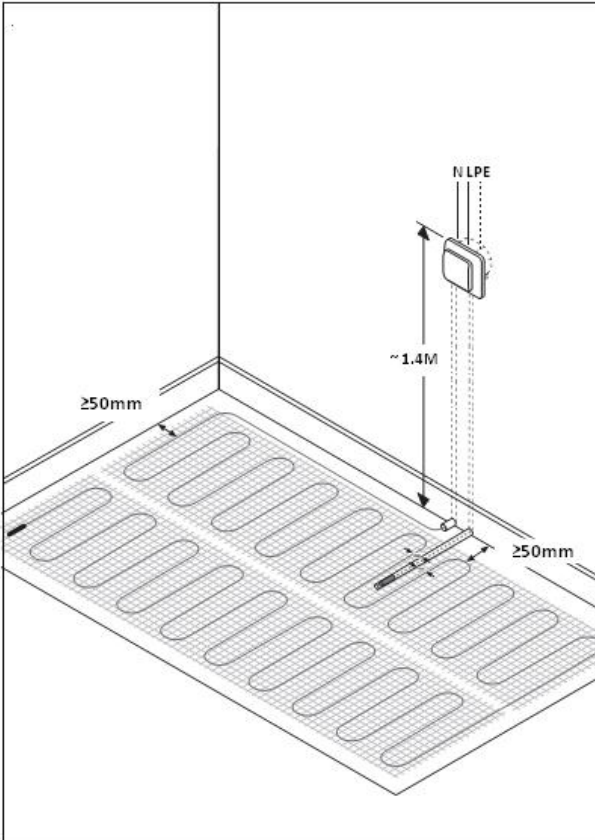


Fig-A:

1- Floor covering

- 2- Waterproofing layer
- 3- Heating mat and Filler
- 4- Sub-floor
- 5- Insulation
- 6- Base ground
- 7- Temperature sensor

Fig-B:

- 1- Floor covering
- 2- Waterproofing layer
- 3- Heating mat and Filler
- 4- Gypsum plasterboard
- 5- Wooden plate
- 6- Joist
- 7- Temperature sensor
- 8- Insulation

General

We offers a 10 year warranty for heating mat.

Please read the complete installation instructions carefully.

Pay attention to local circumstances, standards and regulations. The Install and Test Report be filled out by a qualified electrician. It should be kept by the owner of the building to comply with electrical regulations and the warranty conditions.

Installation instructions

Heating mat can not be cut at will, or overlapping, and the cable space cannot be closer than the spacing of cables assembled on the mat.

Mat can be installed under floor tiles, natural stone, laminate or wooden floor.

Thermal resistance of the floor construction above heating mat should be as low as possible.

Do not step on the mats during installation.

Avoid sharp objects and incautious pouring of concrete or filler. No big air gaps are allowed in the concrete or filler. Always pay attention to instructions for the floor

covering adhesive. Heating mat shall be installed in min. 5 mm of concrete or filler.

Do not lay heating cable in areas that might be damaged by drilling, might be covered by cupboards or under a heat source such as a stove etc.

The subfloor should be clean, plain, stable and rigid, without cracks, sharp objects. The concrete subfloor must be completely dry before installing the floor heating system. Heating mat can be fixed, if required, to the subfloor by means of glue or staples.

Fixing with staples is only allowed in the net, and never over the heating cable.

Warning!

It is recommended to install the sensor cable in a conduit, so that it is possible to replace the temperature sensor easily. The conduit must be sealed properly.

Avoid mechanical damage to the heating cable.

It is recommended to use 30mA Leakage Protection Switch

Technical data

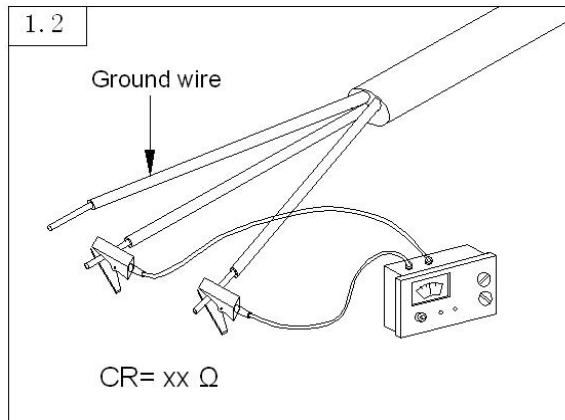
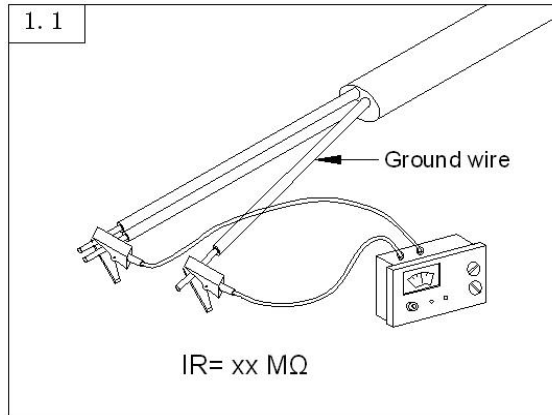
	SHHM-12w/sq.ft
Power supply	100~120Vac
Power output	12W/sq.ft
Min. bending radius	30mm
Min. cable spacing	8cm
Max. exposure temp.	194°F (90°C)
Min. installation temp.	41°F (+5°C)
Cold lead cable	3x1.0mm ²
Length of cold lead	3.0m

TEST STEPS: (The most important)

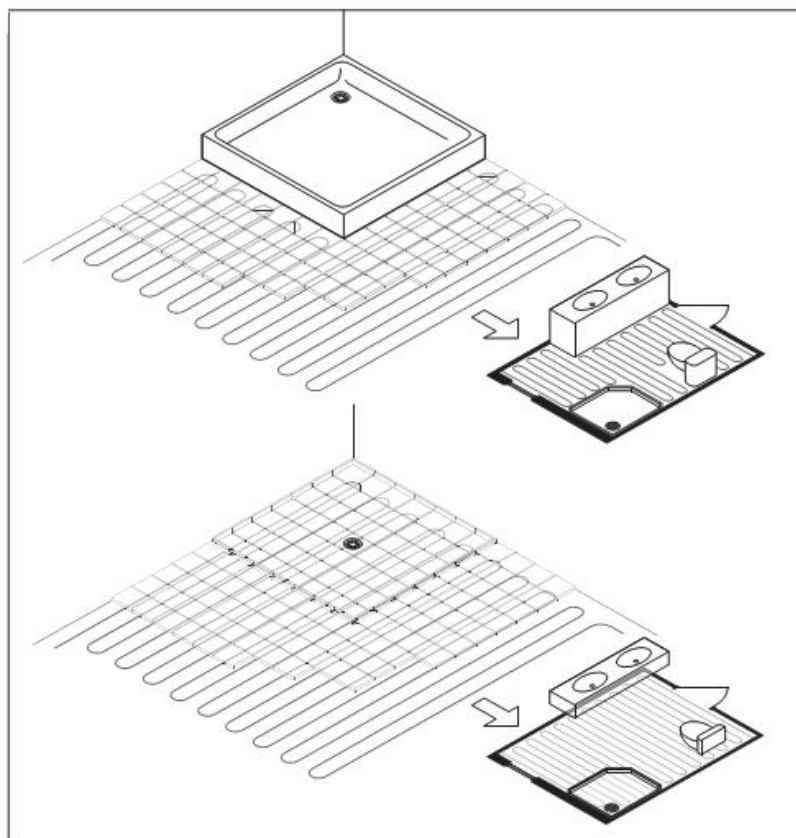
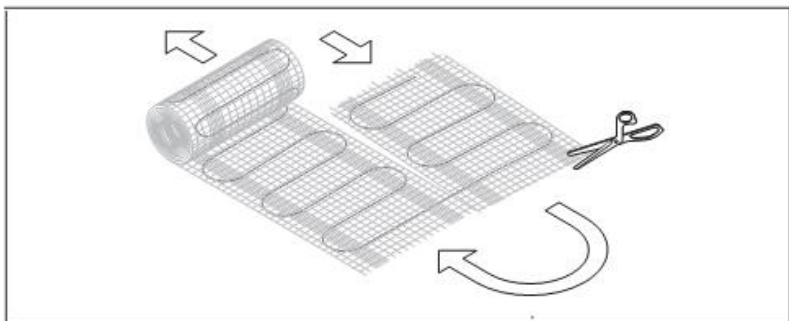
The qualified electrician must test the heating mats at every step during

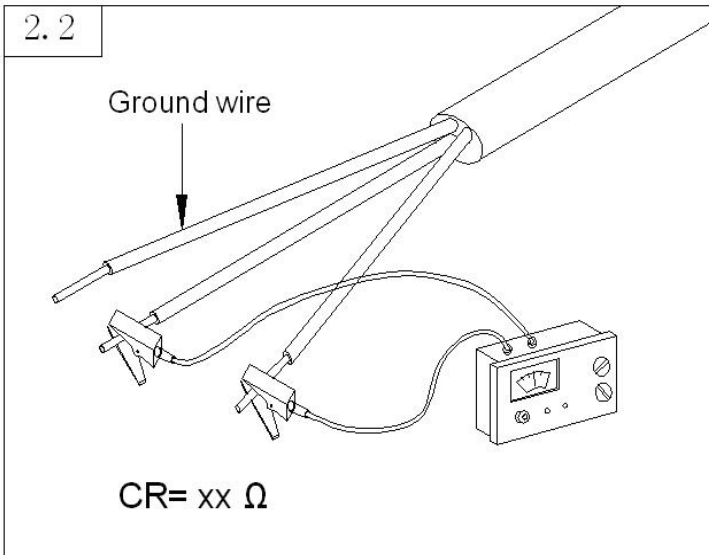
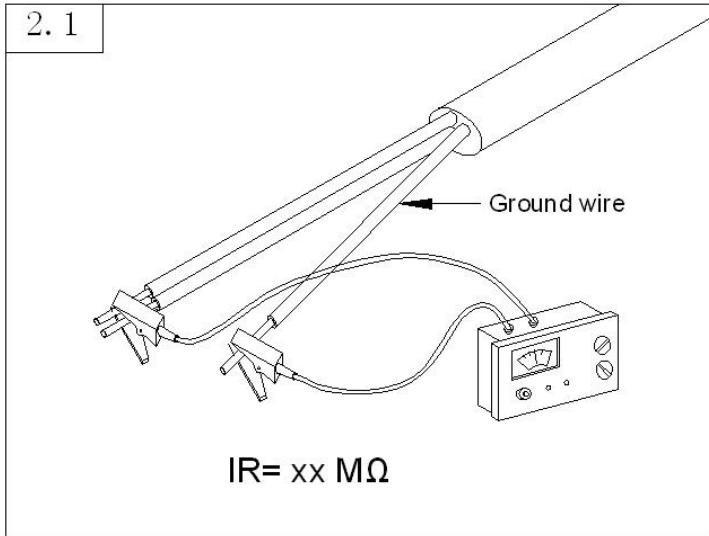
installation:

1. before installation, please test the heating mat's insulation resistance(IR) and conductor resistance(CR) (as the picture 1.1 and 1.2) to make sure the two items are both good. If good, please continue the next step: install the mat onto the ground.

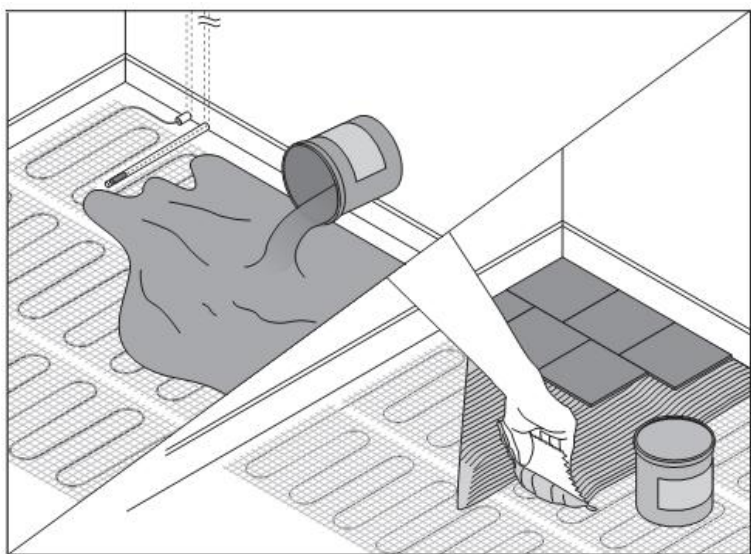
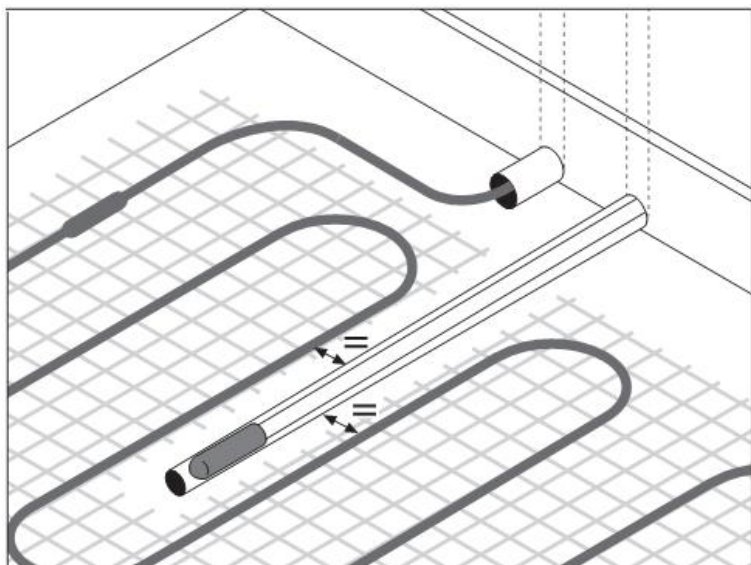


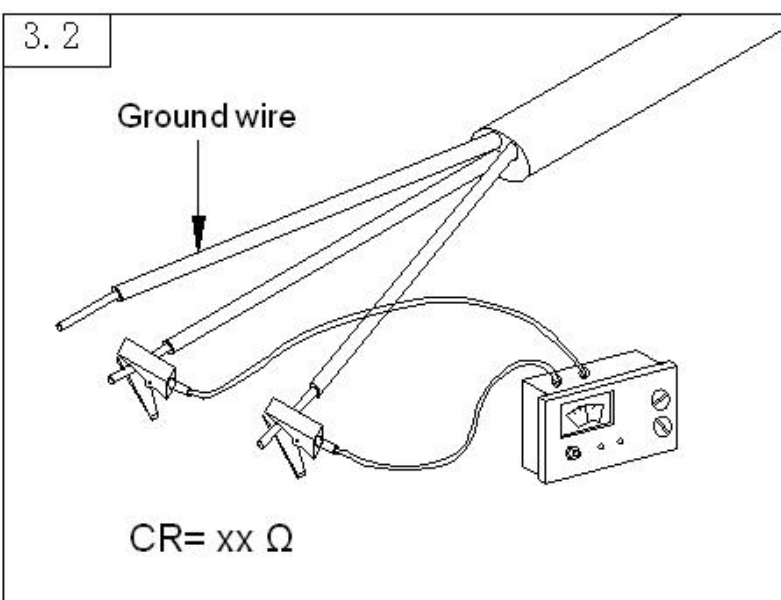
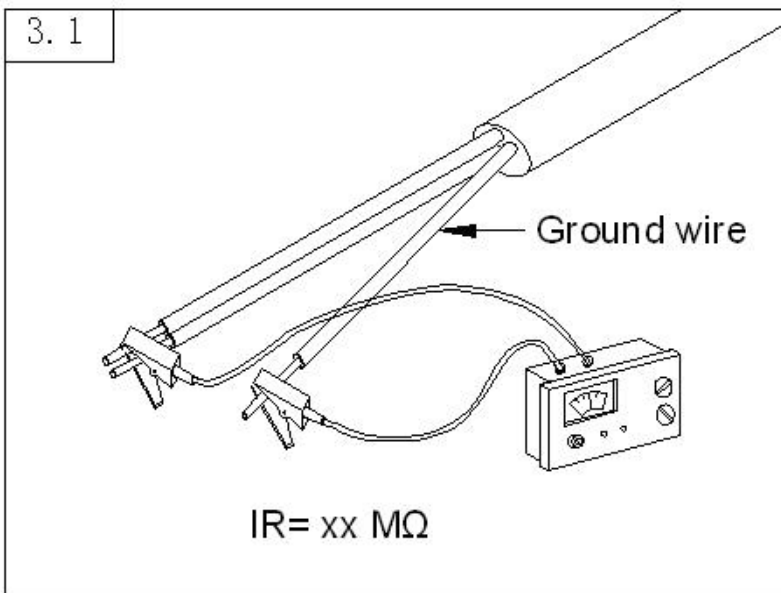
2. after installing the mat onto ground but before pouring the primer or cement, please test the mat again(as the picture 2.1 and 2.2) in case of any damage during the installation.





3. after finishing all the installation, please test the mat again(as the picture 3.1 and 3.2) to make sure all are in good condition.





For the conductor resistance, please refer to the following standard resistance values. The tolerance is -5%.~+10%.

Type	voltage	Rated power	Resistance @20°C+10/-5%	Mat size	Cable Length
	V	W	(CR) Ω		ft
7.5sq.ft	110	90	134.4	20"x4.6ft	28.71
10sq.ft	110	120	100.8	20"x6.1ft	38.14
15sq.ft	110	180	67.2	20"x9.12ft	57
20sq.ft	110	240	50.4	20"x12.2ft	76.28
30sq.ft	110	360	33.6	20"x18.3ft	114.42
35sq.ft	110	420	28.8	20"x21.35ft	133.29
40sq.ft	110	480	25.2	20"x24.4ft	152.57
50sq.ft	110	600	20.2	20"x30.5ft	190.71
60sq.ft	110	720	16.8	20"x36.6ft	228.44
70sq.ft	110	840	14.4	20"x42.7ft	266.58
80sq.ft	110	960	12.6	20"x48.8ft	304.72
90sq.ft	110	1080	11.2	20"x54.9ft	342.86
100sq.ft	110	1200	10.08	20"x60.96ft	380.9

MADE IN CHINA

VEVOR[®]

TOUGH TOOLS, HALF PRICE

TechnicalSupport and E-Warranty Certificate

<https://www.vevor.com/support>