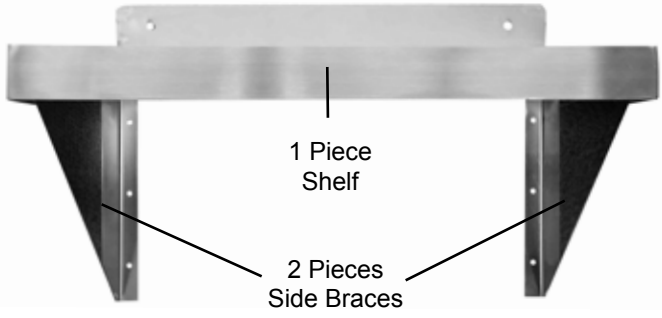



Stainless Steel Work Shelf Assembly Instructions




PARTS LIST


6 Pieces Long Screws




4 Pieces Short Screws



6 Pieces Screws Wall Anchors



4 Pieces Cap Nuts



1

Locate shelf and 2 pieces side braces.

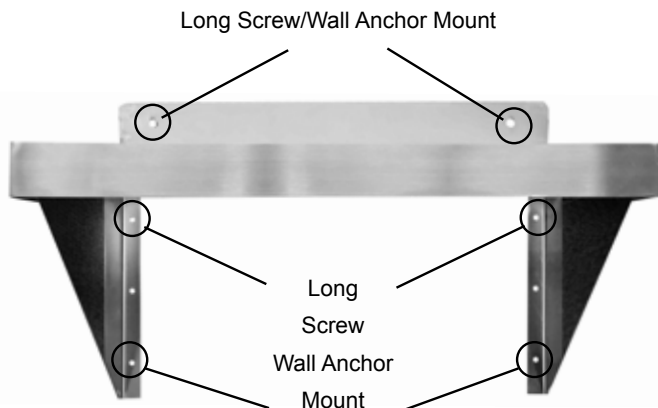
Assemble side braces as illustrated.



2

Locate short screws and cap nuts.

Attach side braces using 2 short screws and cap nuts for each side.



3

Mount to wall using long screws (add wall anchors if necessary).