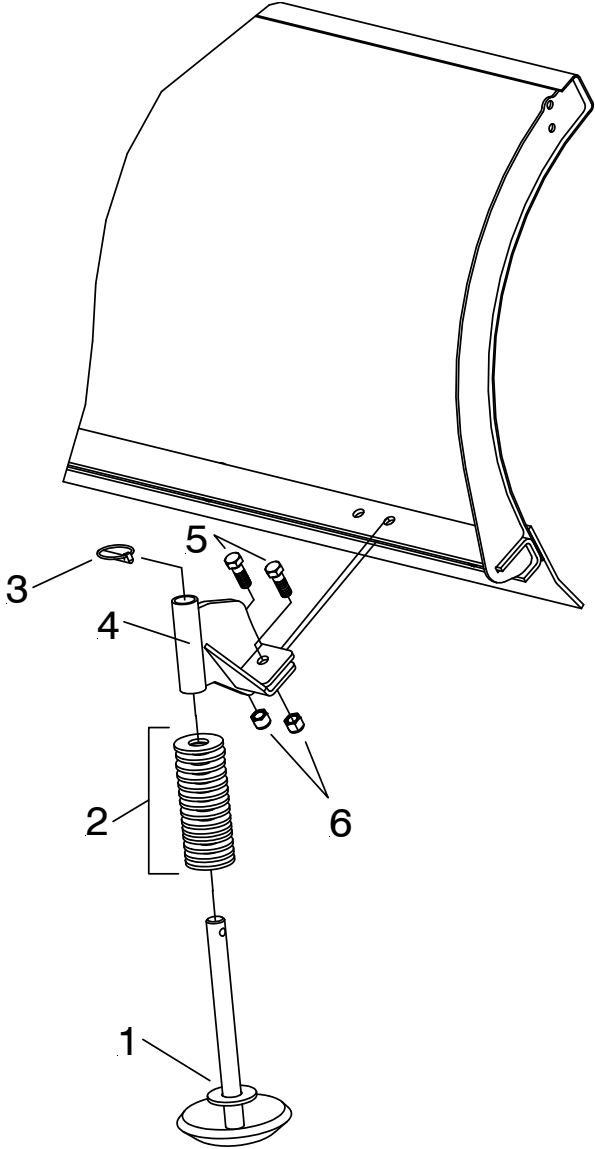


# Installation Instructions

## Part No. 08271 Home Plow Snow Shoe Kit



### Parts List

| Item | Part No. | Qty | Description                |
|------|----------|-----|----------------------------|
|      | 08271    | 1   | Home Plow Snow Shoe Kit    |
|      | 09127    | 2   | • Mushroom Shoe Assembly   |
| 1    | 10853    | 1   | •• Runner                  |
| 2    | 20359    | 15  | •• Flatwasher 3/4"         |
| 3    | 22083    | 1   | •• Lynch Pin               |
| 4    | 13308    | 2   | • Runner Bracket           |
|      | 08273    | 1   | • Hardware bag             |
| 5    | 20072    | 4   | •• Bolt H 7/16-14 x 1-1/4" |
| 6    | 20304    | 4   | •• 7/16-14 Locknut         |

Parts indented are included in the assembly under which they are indented.

### Installation

- A. Position Runner Bracket (4) to Plow as shown and fasten using 7/16-14 x 1-1/4" Bolt (5) and 7/16-14 Locknut (6).
- B. Slide Runner (1) thru the bottom of Runner Bracket (4) as shown. Use the Flatwashers (2) to adjust Runner Height. Proper height is attained when the cutting edge of the plow is 1/4" to 1/2" off the ground. Place the extra Flatwashers (2) on top of Runner Bracket (4) in order to limit up and down movement of the shoe in the bracket.
- C. Install Lynch Pin (3) to Runner (1).

**The Home Plow assumes no responsibility for installations not made in accordance with these instructions.**

The Home Plow reserves the right, under its continuing product improvement program, to change construction or design details, specifications and prices without notice or without incurring any obligation.

The Home Plow  
18513 Euclid Ave. • Cleveland, Ohio 44112-1084  
Phone 877-412-PLOW (7569)  
email info@thehomeplow.com