



**Dearborn®  
Brass**

4675 W. 160th St.  
Cleveland, Ohio 44135  
Ph: (800) 321-9532  
Fax: (800) 321-9535  
www.dearbornbrass.com

**SUBMITTAL SPECIFICATION**

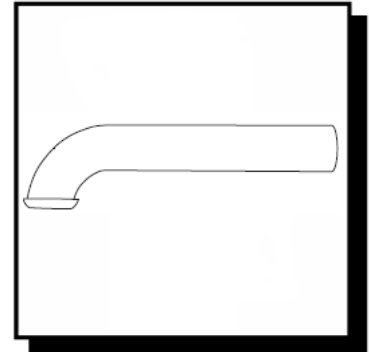
**PLASTIC TUBULAR  
1-¼" WALL TUBES**

**Engineering Specification:** Dearborn Brass 1-¼" Plastic Tubular Wall Tubes are for use in tubular drain applications.

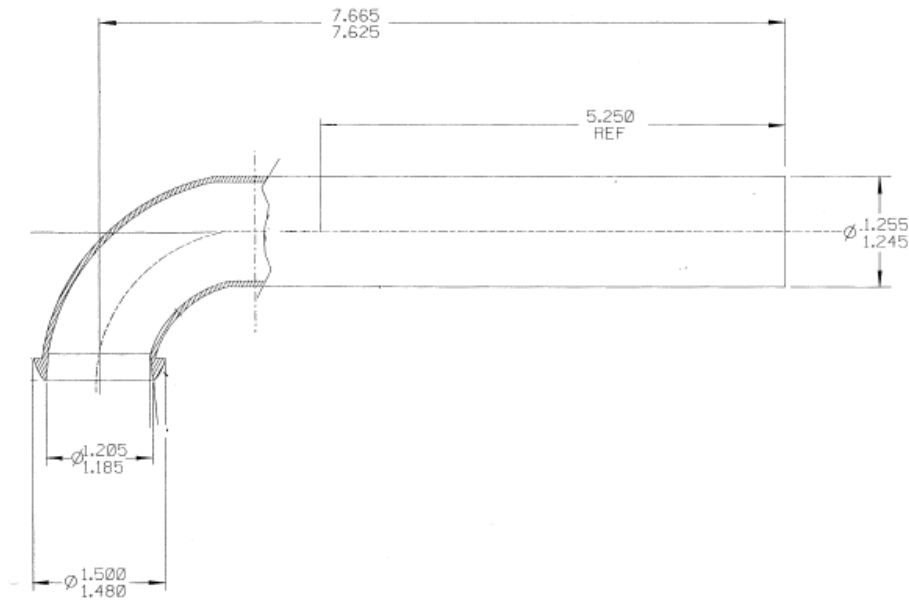
**Job Reference**

**DESCRIPTION**

- Made of white polypropylene plastic
- Plastic Wall Tube
  - Quarter Bend
- Individually barcoded



- Meets ASTM F-409
- IAPMO Listed



✓	Product No.	Description	Carton Quantity	Carton Weight (lbs)
	HP9005	1-¼" Wall Tube – White – Display Box	20	2.1

Data is subject to manufacturing tolerances.