

# REPAIR SHEET

BRAND

**RYOBI**

DESCRIPTION

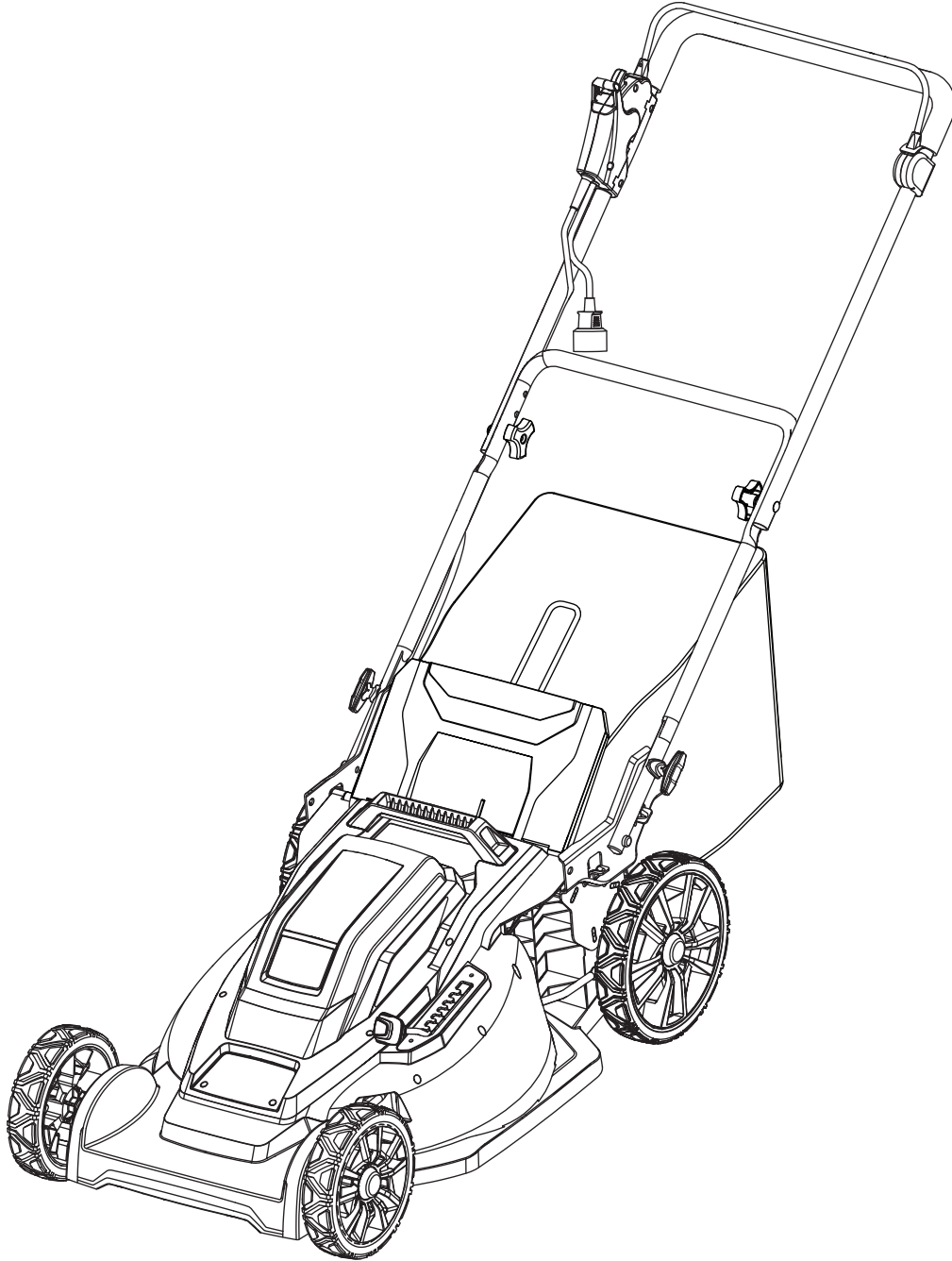
**20 in. Lawn Mower**

MODEL NO.

**RYAC200**

MFG. NO.

**099749024**

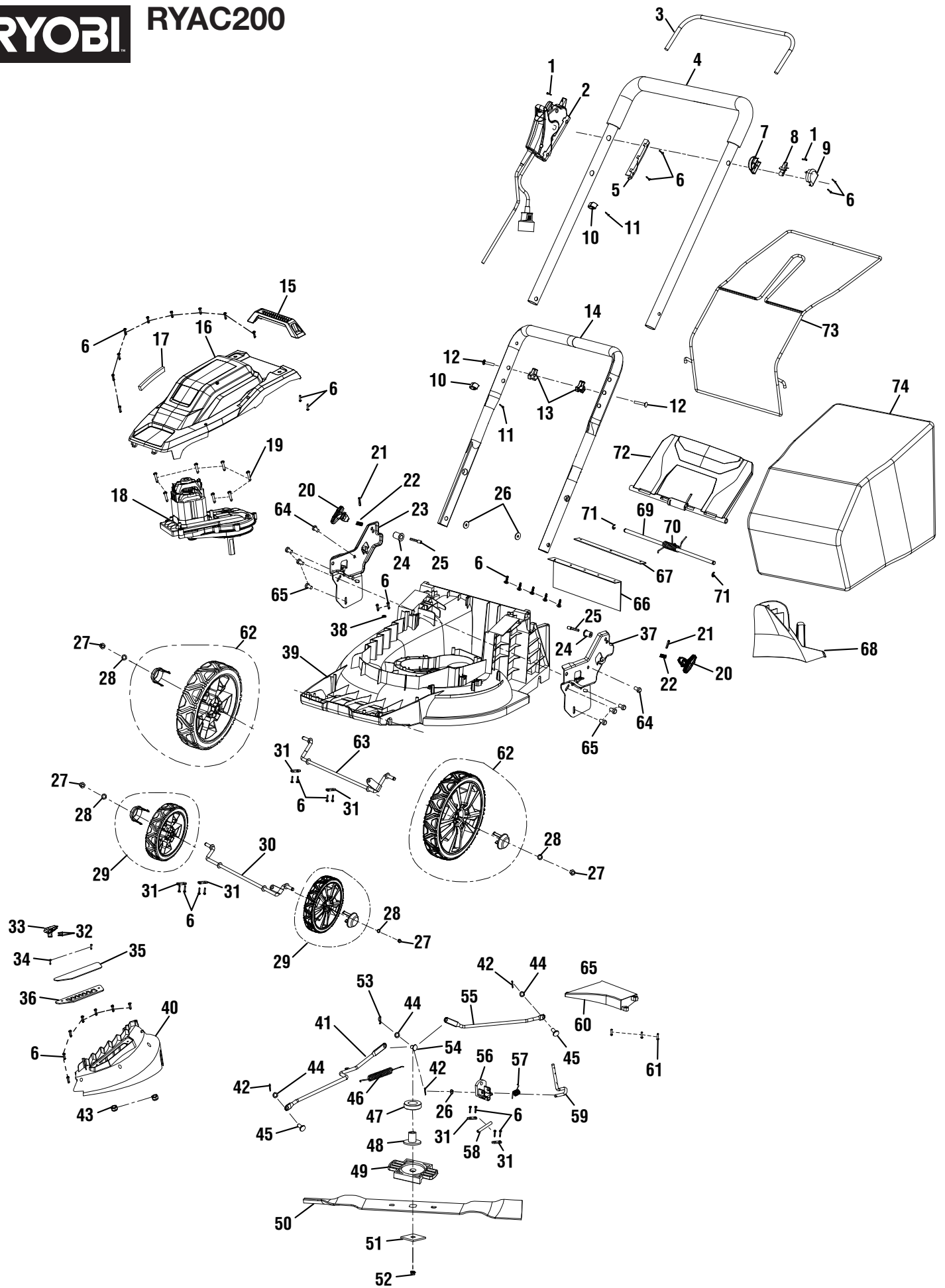


**ONE WORLD TECHNOLOGIES, INC.**

P.O. Box 1288, Anderson, SC 29622 ■ 1-800-525-2579 ■ [www.ryobitools.com](http://www.ryobitools.com)

7-12-21 (Rev:01)

*The model number and manufacturing location will be found on a label attached to the product. Always mention this information in all communications regarding this product and when ordering parts.*



**RYAC200****PARTS LIST**

KEY NO.	PART NO.	DESCRIPTION	QTY.
1	099749024008	Screw (M4 x 10 mm)	2
2	099749024009	Switch Box Assembly	1
3	099749024010	Bail	1
4	099749024011	Upper Handle Assembly	1
5	099749024012	Switch Box Cover	1
6	099749024013	Screw (M4.2 x 15 mm)	41
7	099749024014	Fixed Base (Left)	1
8	099749024015	Support Frame (Left)	1
9	099749024016	Fixed Cover (Left)	1
10	099749024017	Cord Clamp	2
11	099749024018	Screw with Washer (ST3 x 16 mm)	2
12	099749024019	Shoulder Screw (M8 x 57 mm)	2
13	099749024020	Triangle Rotary Knob	2
14	099749024021	Lower Handle	1
15	099749024022	Carry Handle	1
16	099749024023	Top Housing	1
17	099749024024	Sponge Bar	1
18	099749024025	Motor Assembly	1
19	099749024026	Screw (ST4.2 x 18 mm)	7
20	099749024027	Adjusting Knob for Spring Pin	2
21	099749024028	Detent Pin	2
22	099749024029	Detent Pin Spring	2
23	099749024030	Handle Bracket (Right)	1
24	099749024031	Sleeve	2
25	099749024032	Handle Fixing Pin	2
26	099749024033	Flat Washers (ID8 x OD16 x 1.6t)	3
27	099749024034	Flange Nut (M8)	4
28	099749024035	Flat Washers (ID8 x OD18 x 1.5t)	4
29	099749024036	Front Wheel Assembly	2
30	099749024037	Front Axle	1
31	099749024038	Axle Press Plate	6
32	099749024039	Screw (M4 x 12 mm)	2
33	099749024040	Height Adjustment Handle	1
34	099749024041	Screw (M5 x 18 mm)	2
35	099749024042	Dust Proof Plate	1
36	099749024043	Adjustment Lift Arm Bracket	1
37	099749024044	Support Bracket (Left)	1
38	099749024045	Cord Clip	1

KEY NO.	PART NO.	DESCRIPTION	QTY.
39	099749024046	Deck	1
40	099749024047	Adjustment Handle Cover	1
41	099749024048	Forward Linkage	1
42	099749024049	Cotter Pin	3
43	099749024050	Hex Lock Nut (M5)	2
44	099749024051	Washer (ID10 x OD18 x 0.8t)	3
45	099749024052	Short Pin	2
46	099749024053	Regulation Spring	1
47	099749024054	Dust Proof Bearing	1
48	099749024055	Blade Supporter	1
49	099749024056	Blade Holder	1
50	099749024057	Blade	1
51	099749024058	Blade Spacer	1
52	099749024059	Hex Nut (M10)	1
53	099749024060	Butterfly Pin	1
54	099749024061	Long Pin Shaft	1
55	099749024062	Rear Linkage	1
56	099749024063	Adjustment Support Frame	1
57	099749024064	Spring (Adjustment Support Frame)	1
58	099749024065	Axle (Adjustment Support Frame)	1
59	099749024066	Height Adjustment Arm	1
60	099749024067	Deck Insert	1
61	099749024068	Screw (ST4.2 x 12 mm)	3
62	099749024069	Rear Wheel Assembly	2
63	099749024070	Rear Wheel Axle	1
64	099749024071	Hex Bolt (M8 x 30 mm)	2
65	099749024072	Screw (ST6.5 x 18 mm)	6
66	099749024073	Rear Protective Guard	1
67	099749024074	Pressing Plate (Rear Protective Guard)	1
68	099749024075	Mulch Plug	1
69	099749024076	Rear Door Axle	1
70	099749024077	Spring (Rear Door)	1
71	099749024078	Retaining Ring	2
72	099749024079	Rear Door	1
73	099749024080	Grass Bag Frame	1
74	099749024081	Grass Bag	1
	<b>Not Shown:</b>		
	998000002	Operator's Manual	

**PARTS LIST – LABELS**

KEY NO.	PART NO.	DESCRIPTION	QTY.
1	940779294	Icons/Danger Label	1
2	941641001	CPSC Cut Finger Label	1
3	940779297	Right Side Logo Label	1
4	940779296	Front Logo Label	1
5	940779292	20 in./13 Amp Callout Front Label	1
6	940779293	Cut Height Label	1
7	940779295	Left Side Logo Label	1
8	941588834	Warnings Overflow/Data Label	1

