

Features

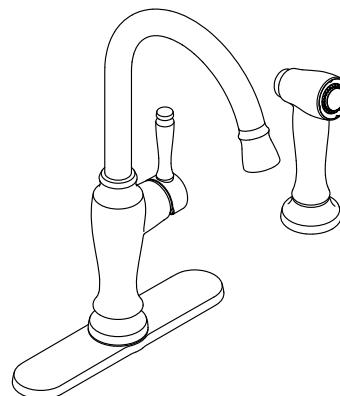
- MasterClean™ sprayface withstands mineral buildup to wipe clean easily without cleaning products.
- High-arch swing spout offers vertical clearance for tall cookware and pitchers.
- Single lever handle makes adjusting water temperature easy.
- Matching sidespray with Sweep® spray provides flexibility and convenience for cleaning and food prep.
- 1.5 gpm (5.7 l/m) maximum flow rate at 60 psi (4.1 bar).
- KOHLER® ceramic disc valves exceed industry longevity standards, ensuring durable performance for life.
- Box includes: Assembled faucet, supply lines, escutcheon plate, sidespray.

Material

- Premium metal construction.
- KOHLER finishes resist corrosion and tarnishing.

Installation

- Deck-mount.
- Flexible supply lines and sidespray with quick-connect fittings make installation easy.
- Installs with 1-, 2-, 3- or 4-hole sink.
- Longer shank works with countertops up to 2-1/2" thick and is easy to install.



ADA CSA B651

Codes/Standards




ASME A112.18.1/CSA B125.1
NSF/ANSI 61
NSF/ANSI 372
All applicable US Federal and State material regulations
DOE - Energy Policy Act 1992
California Energy Commission (CEC)
ADA
ICC/ANSI A117.1
CSA B651

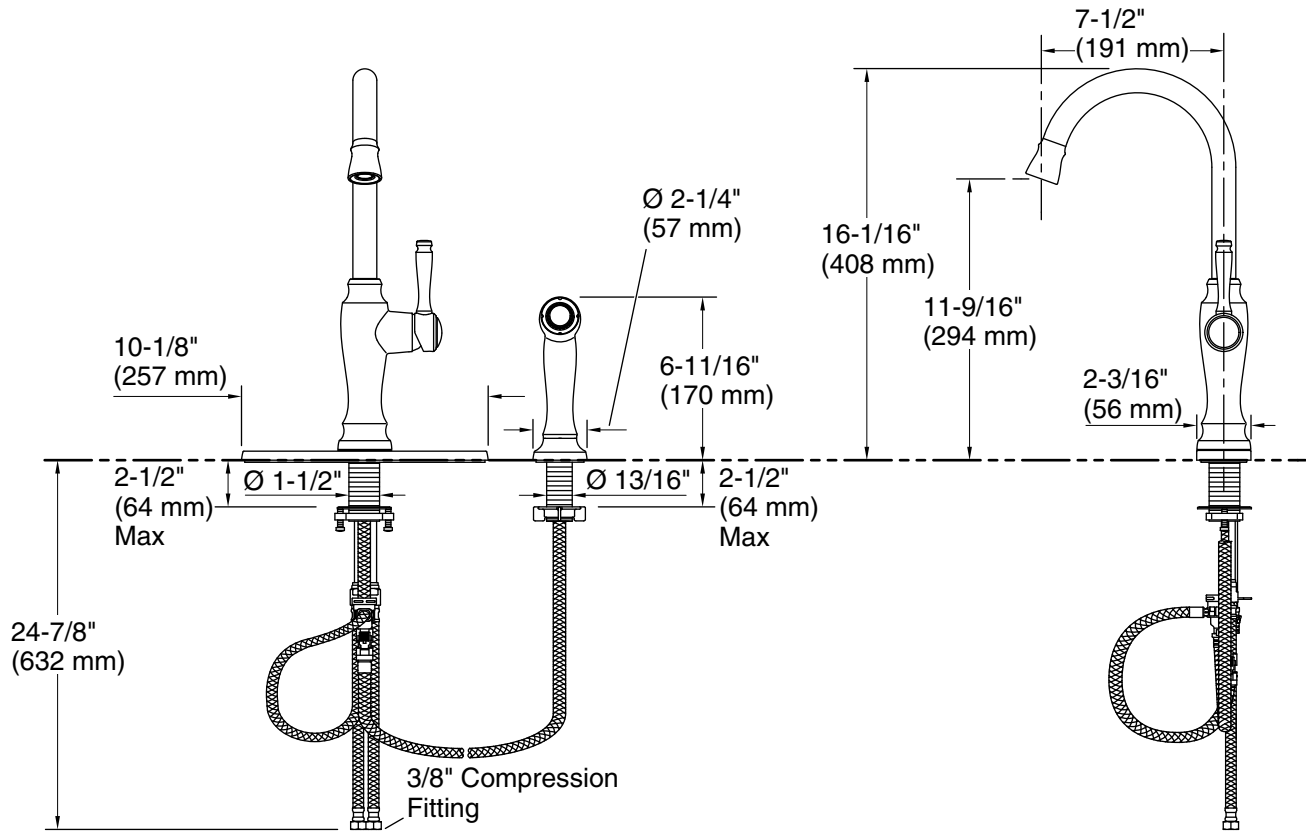
KOHLER® Faucet Lifetime Limited Warranty

See website for detailed warranty information.

Available Colors/Finishes

Color tiles intended for reference only.

Color	Code	Description
	CP	Polished Chrome
	VS	Vibrant® Stainless
	2BZ	Oil-Rubbed Bronze



Technical Information

All product dimensions are nominal.

Faucet:

Flow rate: 1.5 gal/min (5.7 l/min)
Pressure: 60 psi (4.1 bar)

Notes

Install this product according to the installation instructions.

ADA, CSA B651 compliant when installed to the specific requirements of these regulations.