

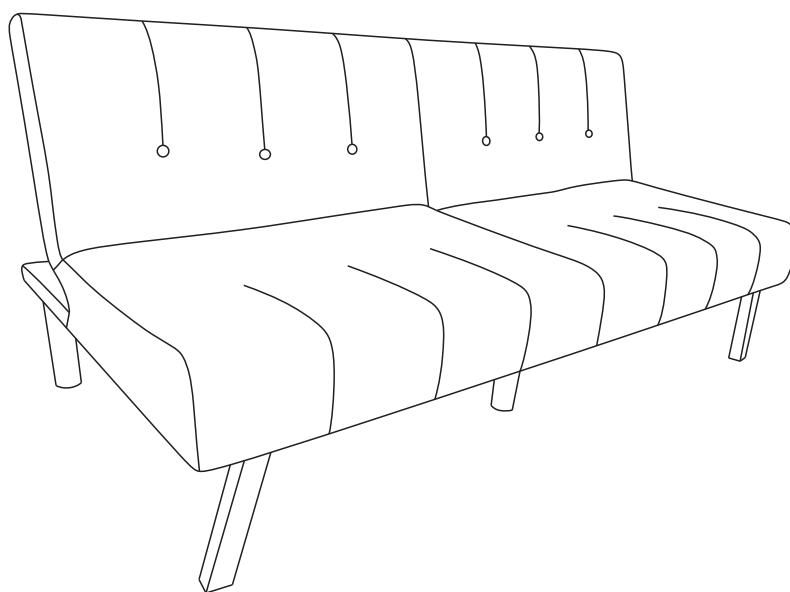
FUTON ASSEMBLY INSTRUCTIONS

IMPORTANT INFORMATION!

Please read the entire manual carefully before starting to assemble and/or using this product. Follow the manual thoroughly and keep it for further reference.

WARNING TO AVOID SCRATCHES!

In order to avoid scratching this furniture should be assembled on a soft layer -could be a rug.



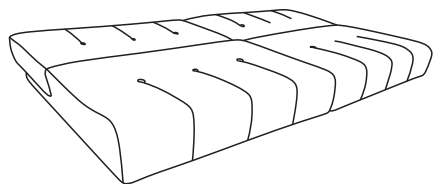
QUESTIONS? CONTACT US:
SUPPORT@VIPCLUB.APP

Do you have any questions about the sofa? Do you have any comments or ideas you would like to share with us? Please feel free to send us a message. We love to hear from our customers and get their opinions! We are always looking for great new ideas to add to our products. So if you have any suggestions you would like to share, let us know!

If in any case, you are not 100% happy with the item received, would you please contact us first and give us a chance to make it right for you? All of our products are covered by warranty and we will do our best to address any of your concerns. We are dedicated to your 100% satisfaction with your order.

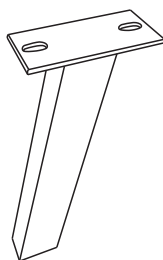
PART LIST

A



1 x

B



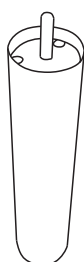
2 x Front leg

C



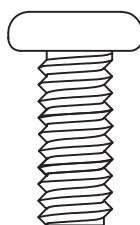
2 x Mid leg

D



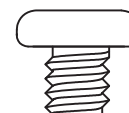
2 x Back leg

E



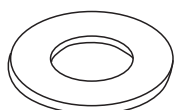
4 x Bolt M8 x 30mm

F



8 x Bolt M6 x 6mm

G



4 x Washer M8 x 19mm

H



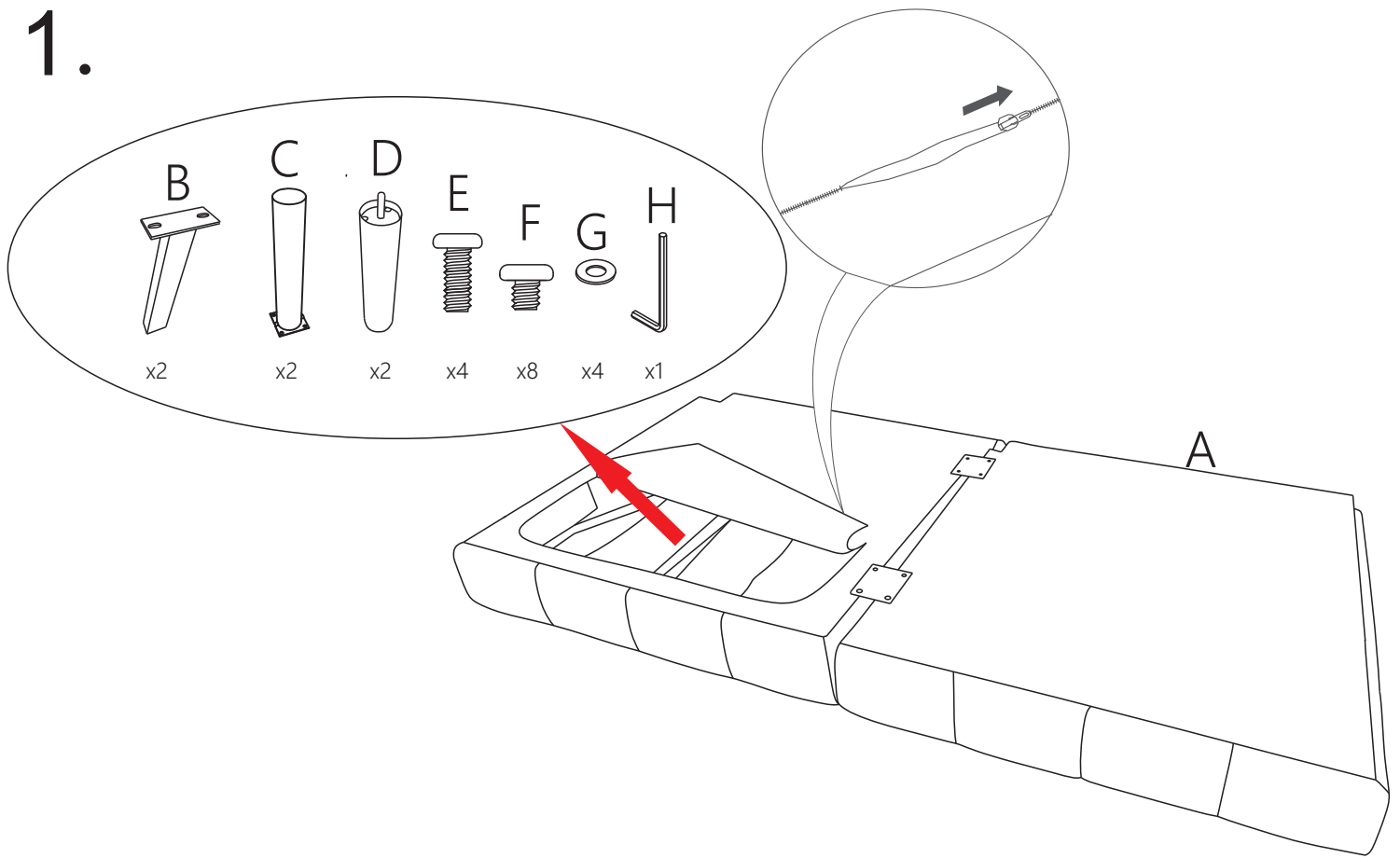
1 x Hex Key M5

WARNING

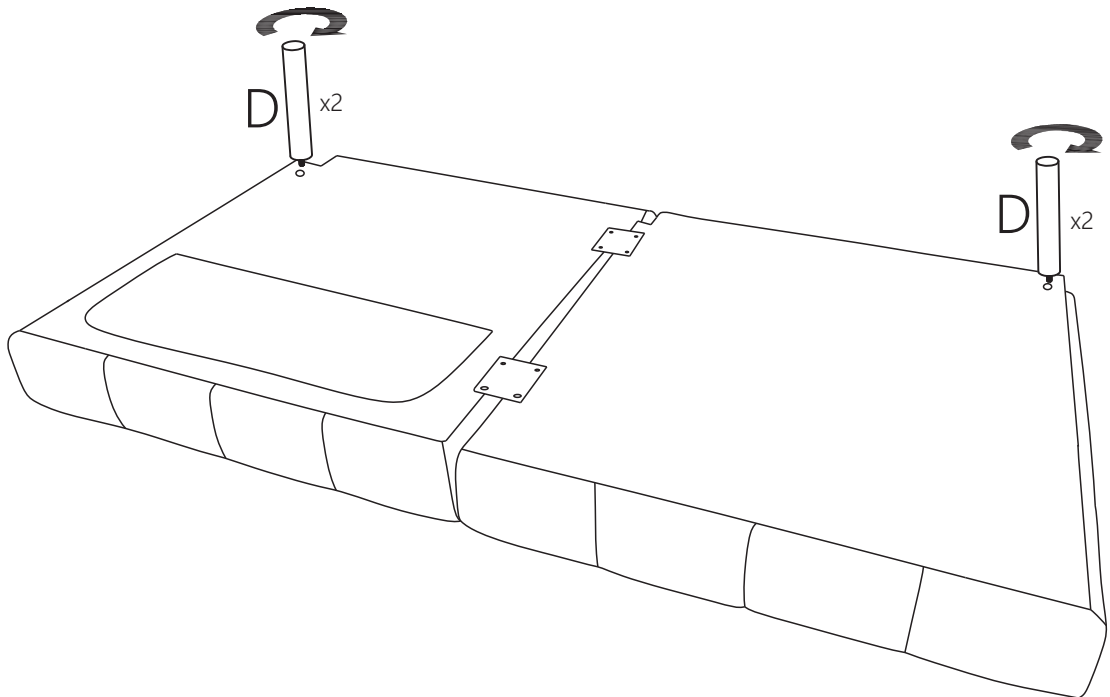
If any parts are missing, broken, damaged or worn, stop using the sofa until repairs are made and factory replacement parts are installed.

If there is any question regarding the installation, please do not hesitate to contact us through smugdeskservice@hotmail.com for detailed installation video.

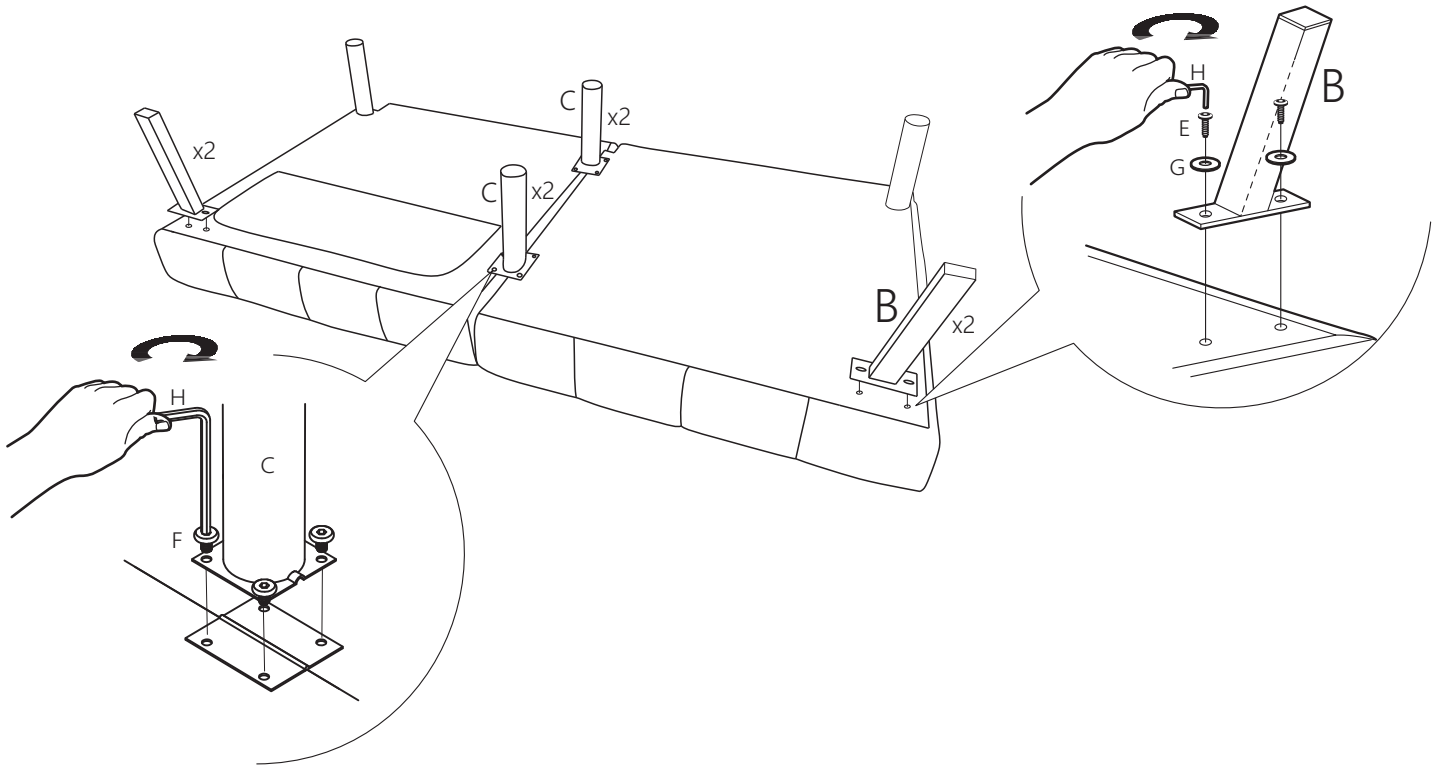
1.



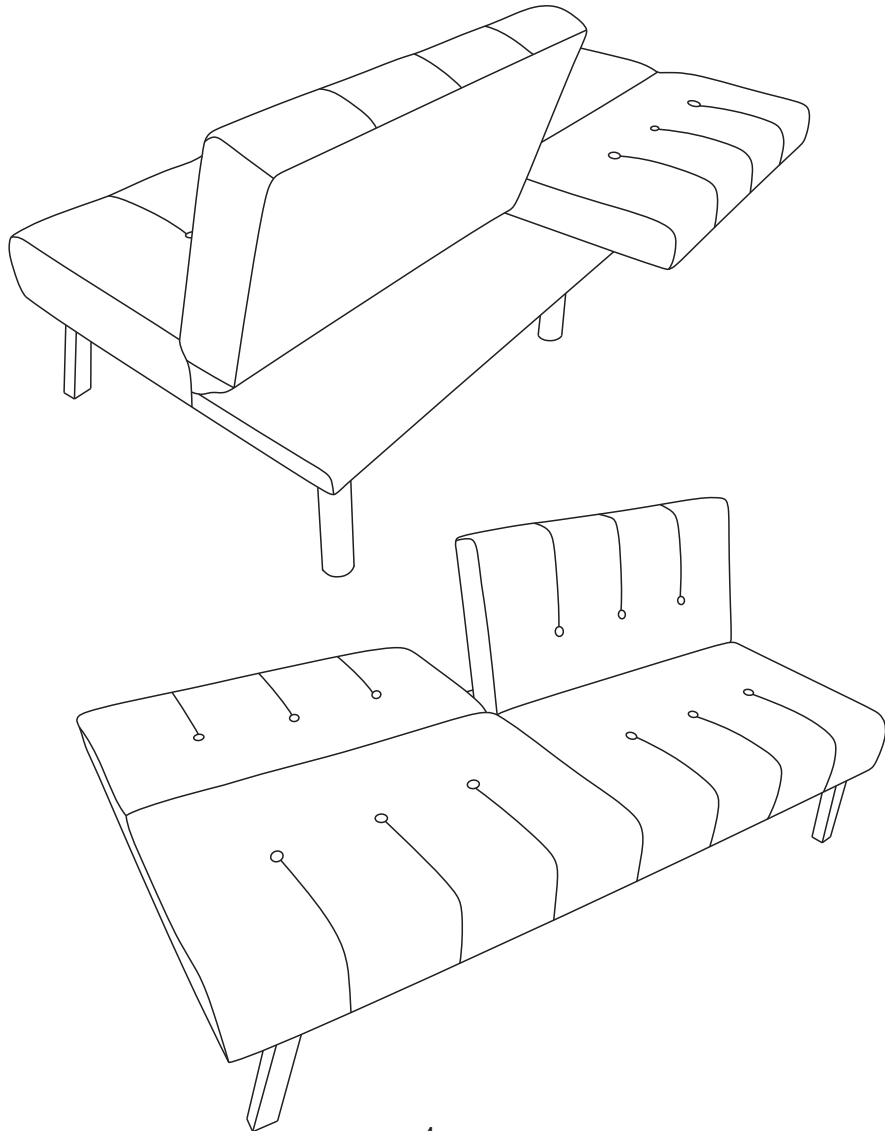
2.



3.

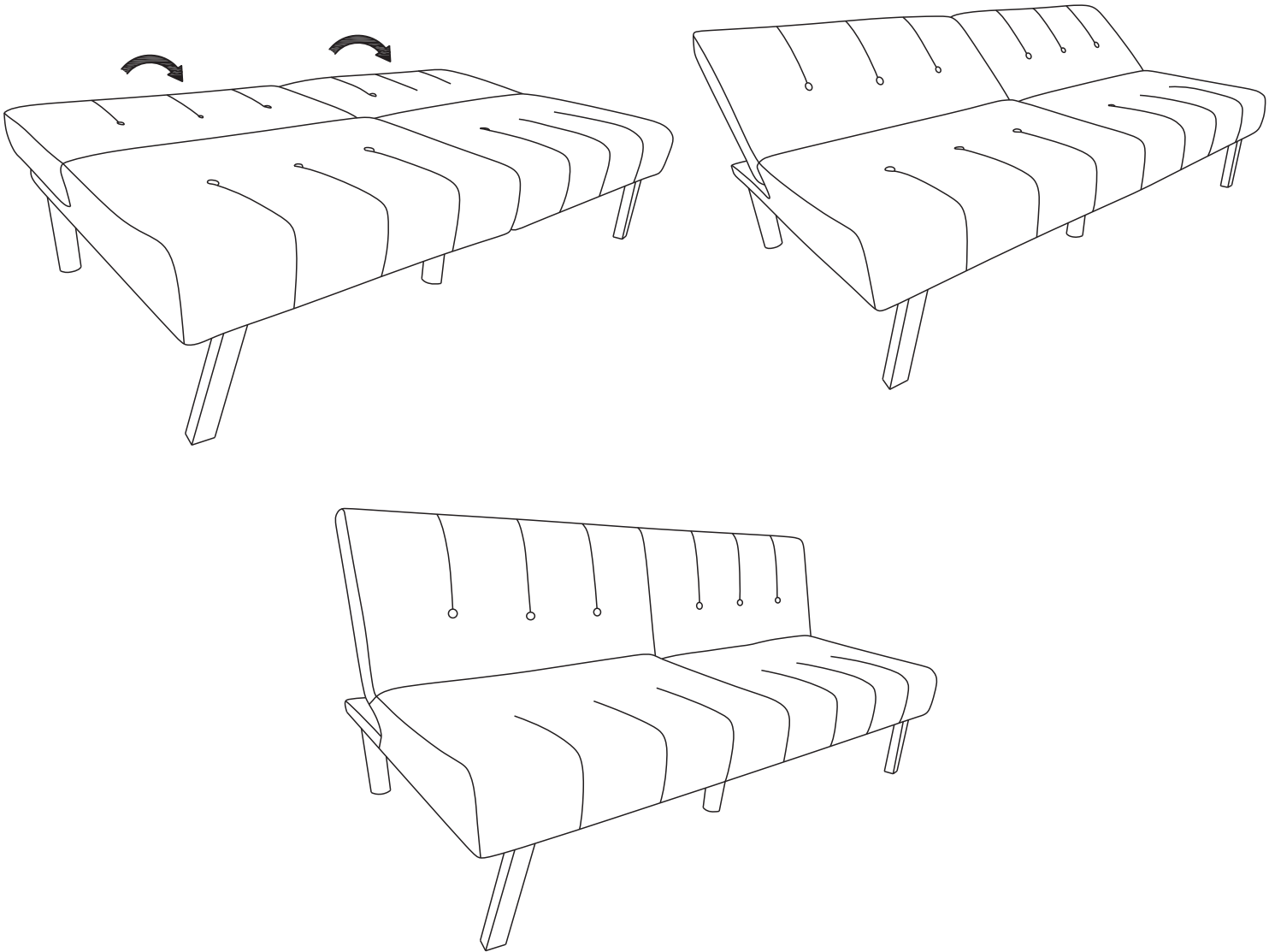


4.



5.

FUTON ASSEMBLY INSTRUCTIONS



IMPORTANT SAFETY INSTRUCTIONS

- This sofa is designed for one person weighing up to 500lbs(226kgs).
- Avoid exposing furniture directly to sunlight or heating and air conditioning outlets. Do not place your upholstery furniture too close to windows, radiators, or vents, and be sure to use window treatments to block the sun's rays.
- Do not use rough cleaning tools or corrosive detergents to clean the sofa.
- Some of the parts are heavy and/or has shape edge, please install it carefully to avoid hurt you and the people around you.

GENERAL INSTRUCTION FOR FURNITURE WITH FABRIC!

- Wipe clean with a damp cloth. Use only clean water.
- Dust and dirt can be vacuum cleaned or wiped with a clean soft cloth.
- Do not use rough cleaning tools, detergents, solvents, or other chemicals on fabric as this may cause discoloration.
- However, certain removable fabrics may be washed, but in such cases, there will ALWAYS be a washing instruction on the fabric.