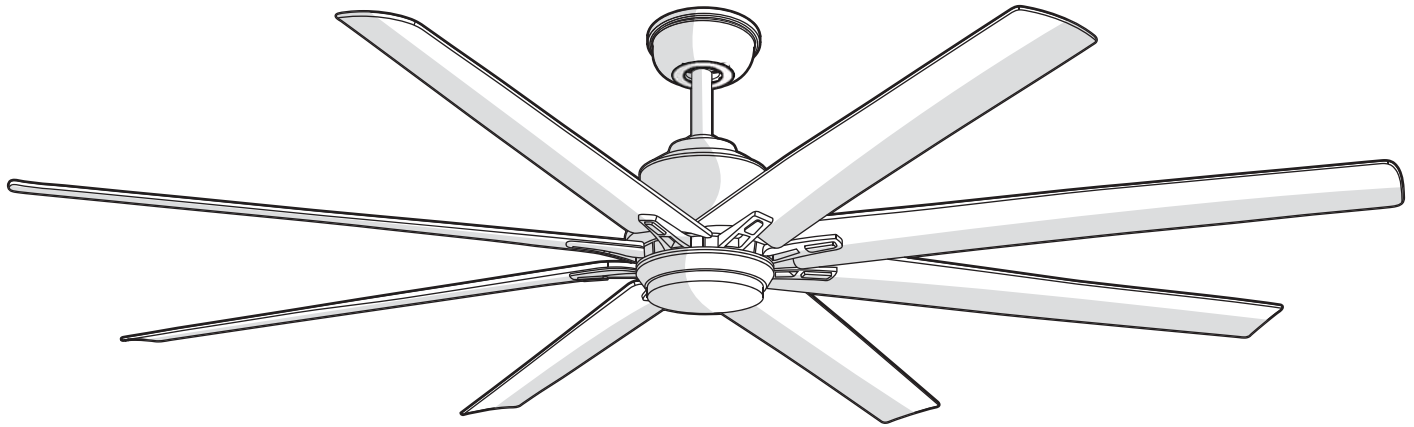


**HOME
DECORATORS
COLLECTION®**

Item #1001 689 566
#1001 689 569
#1002 315 922
Model #YG493E-BN
#YG493E-EB
#YG493E-WH

USE AND CARE GUIDE

KENSGROVE (OUTDOOR) 72 IN. CEILING FAN



Questions, problems, missing parts? Before returning to the store,
call Home Decorators Collection Customer Service
8 a.m. - 7 p.m., EST, Monday-Friday, 9 a.m. - 6 p.m., EST Saturday

1-800-986-3460

HOMEDEPOT.COM/HOMEDECORATORS



Visual instruction of how to install this fan:
Visit www.homedepot.com and enter either the Item or Model number to find
this fan and click the link of visual instruction in the product overview section.

THANK YOU

We appreciate the trust and confidence you have placed in Home Decorators Collection through the purchase of this ceiling fan. We strive to continually create quality products designed to enhance your home. Visit us online to see our full line of products available for your home improvement needs. Thank you for choosing Home Decorators Collection!

Table of Contents

Table of Contents	2	Operation	14
Safety Information	3	Preparing the Transmitter	14
Warranty	4	Learning Process	14
Pre-Installation	4	Operating Your Fan and Remote Control	16
Specifications	4	Warm/Cool Weather Operating Instructions	18
Tools Required	4	Care and Cleaning	18
Hardware Included	5	Troubleshooting	19
Package Contents	6	Service Parts	21
Installation	7		
Assembly	8		
Hanging the Fan	9		
Attaching the Fan Blades	12		
Installing the Light Kit	13		

READ AND SAVE THESE INSTRUCTIONS

Safety Information

1. To reduce the risk of electric shock, ensure electricity has been turned off at the circuit breaker or fuse box before beginning.
2. All wiring must be in accordance with the National Electrical Code "ANSI/NFPA 70-1999" and local electrical codes. Electrical installation should be performed by a qualified licensed electrician.
3. The outlet box and support structure must be securely mounted and capable of reliably supporting a minimum of 35 lbs (15.9 kg) or less. Use only UL-listed outlet boxes marked "FOR FAN SUPPORT."
4. The fan must be mounted with a minimum of 7 ft (2.1m) clearance from the trailing edge of the blades to the floor.
5. Avoid placing objects in the path of the blades.
6. To avoid personal injury or damage to the fan and other items, be cautious when working around or cleaning the fan.
7. Do not use water or detergents when cleaning the fan or fan blades. A dry dust cloth or lightly dampened cloth will be suitable for most cleaning.
8. After making electrical connections, spliced conductors should be turned upward and pushed carefully up into the outlet box. The wires should be spread apart with the grounded conductor and the equipment-grounding conductor on one side of the outlet box and ungrounded conductor on the other side of the outlet box.
9. All setscrews must be checked and retightened where necessary before installation.
10. Suitable for use with solid-state speed control (JY1028 only).
11. This device complies with part 15 of the FCC Rules. Operation is subject to the following two conditions: (1) This device may not cause harmful interference, and (2) this device must accept any interference received, including interference that may cause undesired operation.

Warning: Changes or modifications to this unit not expressly approved by the party responsible for compliance could void the user's authority to operate the equipment.

NOTE: This equipment has been tested and found to comply with the limits for a Class B digital device, pursuant to Part 15 of the FCC Rules. These limits are designed to provide reasonable protection against harmful interference in a residential installation.

protection against harmful interference in a residential installation. This equipment generates, uses and can radiate radio frequency energy and, if not installed and used in accordance with the instructions, may cause harmful interference to radio communications.

However, there is no guarantee that interference will not occur in a particular installation. If this equipment does cause harmful interference to radio or television reception, which can be determined by turning the equipment off and on, the user is encouraged to try to correct the interference by one or more of the following measures:

- Reorient or relocate the receiving antenna.
- Increase the separation between the equipment and receiver.
- Connect the equipment into an outlet on a circuit different from that to which the receiver is connected.
- Consult the dealer or an experienced radio/TV technician for help.

The following responsible party designated in FCC §2.909 is responsible for this declaration:

Model Number: YG493E-BN, YG493E-EB, YG493E-WH
Company Name: TAL INTERNATIONAL CORPORATION
Company Address: 2919 E. Philadelphia St., Ontario, CA 91761, U.S.A.
Full Name: James Lai Title: Manager
Telephone Number: (909) 923-2888 Fax: (909) 923-8337



WARNING: To reduce the risk of electric shock, this fan must be installed with an isolating wall control/switch.



WARNING: To reduce the risk of personal injury, do not bend the blade arms (also referred to as flanges), when installing the brackets, balancing the blades or cleaning the fan.



WARNING: Do not insert foreign objects between rotating fan blades.



WARNING: To reduce the risk of fire, electric shock or personal injury, mount the fan to the outlet box marked acceptable for fan support with the screws provided with the outlet box.



CAUTION: To reduce the risk of personal injury, use only the screws provided with the outlet box.

Warranty

The manufacturer warrants the fan motor to be free from defects in workmanship and material present at time of shipment from the factory for a period of lifetime after the date of purchase by the original purchaser. The manufacturer warrants the light kit (excluding any glass), to be free from defects in workmanship and material present at time of shipment from the factory for a period of five years after the date of purchase by the original purchaser. The manufacturer also warrants that all other fan parts, excluding any glass or acrylic blades, to be free from defects in workmanship and material at the time of shipment from the factory for a period of three years after the date of purchase by the original purchaser. We agree to correct such defects without charge or at our option replace with a comparable or superior model if the product is returned. To obtain warranty service, you must present a copy of the receipt as proof of purchase. All costs of removing and reinstalling the product are your responsibility. Damage to any part such as by accident, misuse, improper installation or by affixing any accessories, is not covered by this warranty. Because of varying climatic conditions this warranty does not cover any changes in brass finish, including rusting, pitting, corroding, tarnishing or peeling. Brass finishes of this type give the longest useful life when protected from varying weather conditions. A certain amount of "wobble" is normal and should not be considered a defect. Servicing performed by unauthorized persons shall render the warranty invalid. There is no other express warranty. We hereby disclaim any and all warranties, including but not limited to those of merchantability and fitness for a particular purpose to the extent permitted by law. The duration of any implied warranty which cannot be disclaimed is limited to the time period as specified in the express warranty. Some states do not allow limitation on how long an implied warranty lasts, so the above limitation may not apply to you. The retailer shall not be liable for incidental, consequential, or special damages arising out of or in connection with product use or performance except as may otherwise be accorded by law. Some states do not allow the exclusion of incidental or consequential damages, so the above exclusion or limitation may not apply to you. This warranty gives specific legal rights, and you may also have other rights which vary from state to state. This warranty supersedes all prior warranties. Shipping costs for any return of product as part of a claim on the warranty must be paid by the customer.

Contact the Customer Service Team at 1-800-986-3460 or visit www.HOMEDEPOT.COM/HOMEDECORATORS

Pre-Installation

SPECIFICATIONS

Fan size	Speed	Volts	Amps	Watts	RPM	CFM	N.W.	G.W.	C.F.
72 in.	LOW (Speed 1)	120	0.07	3.34	29	3313	12.05 kg (26.52 lb)	13.73 kg (30.20 lb)	2.61 cu. ft.
	Medium (Speed 5)		0.17	10.05	67	7028			
	High (Speed 9)		0.56	36.82	105	10590			



NOTE: These are approximate measures. They do not include amps and wattage used by the light kit.



TOOLS REQUIRED



Pre-Installation (continued)

HARDWARE INCLUDED



NOTE: Hardware not shown to actual size.



AA



BB

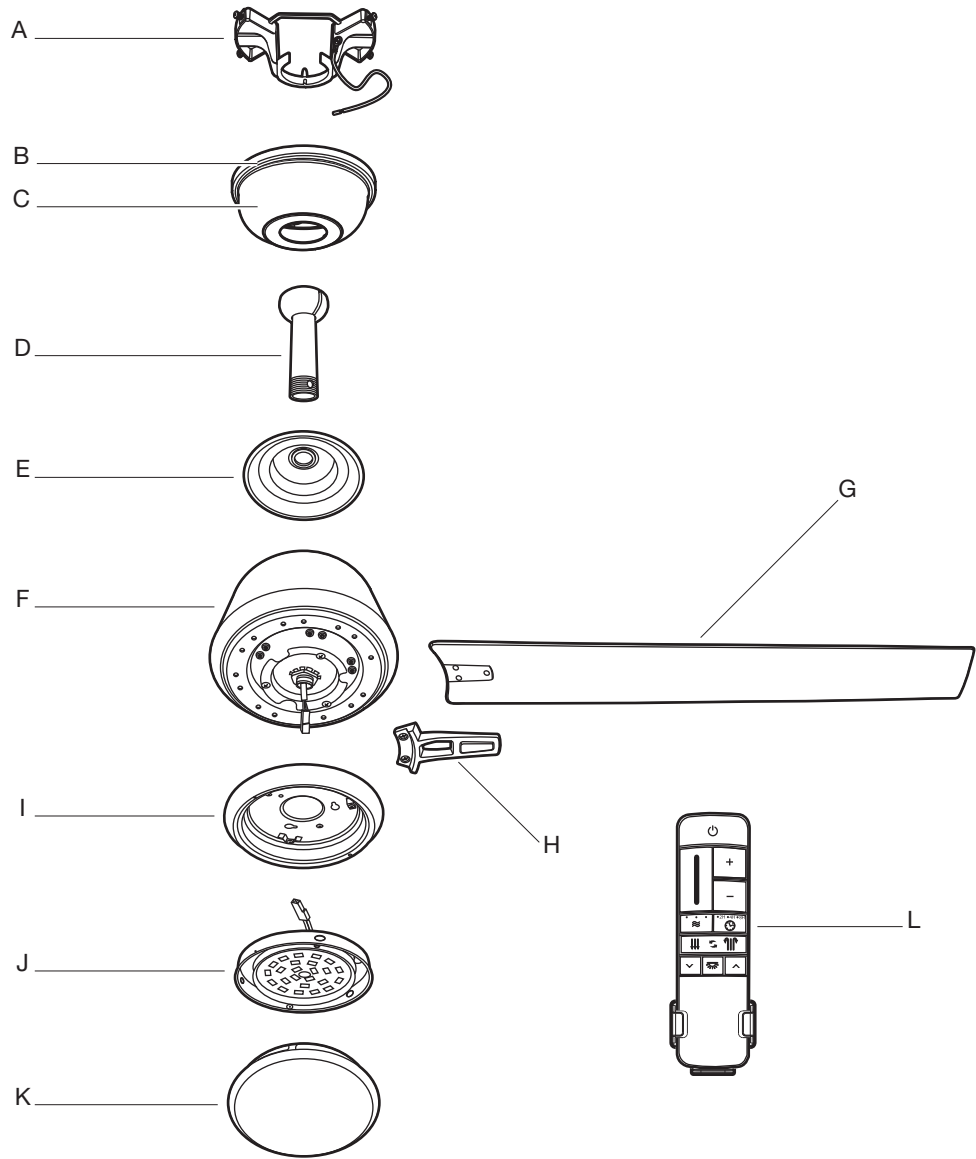


CC

Part	Description	Quantity
AA	Plastic wire nut	3
BB	Blade attachment screw and rubber washer	25
CC	1.5V AAA battery	2

Pre-Installation (continued)

PACKAGE CONTENTS



Part	Description	Quantity
A	Mounting bracket (preassembled)	1
B	Canopy ring (preassembled)	1
C	Canopy	1
D	Hanger ball/downrod assembly	1
E	Coupling cover	1
F	Fan motor assembly	1

Part	Description	Quantity
G	Blade	8
H	Blade arm	8
I	Light kit mounting plate	1
J	18 watt LED Light kit	1
K	Glass shade	1
L	Remote control	1

Installation

MOUNTING OPTIONS

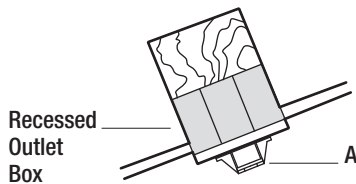
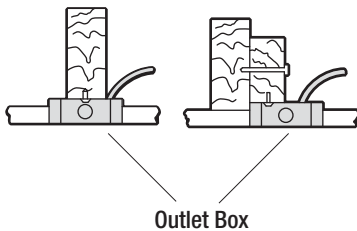
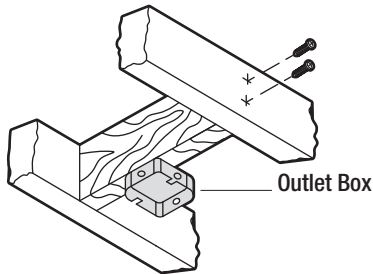


WARNING: To reduce the risk of fire, electric shock, or personal injury, mount the fan to an outlet box marked acceptable for fan support using the screws provided with the outlet box. An outlet box commonly used for the support of lighting fixtures may not be acceptable for fan support and may need to be replaced. If in doubt, consult a qualified electrician.

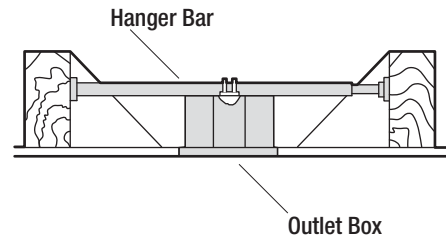
If your ceiling fan does not have an existing UL-listed mounting box, then install one using the following instructions:

- Disconnect the power by removing the fuses or turning off the circuit breakers.
- Secure the outlet box (not included) directly to the building structure. Use appropriate fasteners and materials (not included). The outlet box and its bracing must be able to fully support the weight of the moving fan (at least 35 lbs.). Do not use a plastic outlet box.

The illustrations below show three different ways to mount the outlet box (not included).



NOTE: You may need a longer downrod to maintain proper blade clearance when installing on a steep, sloped ceiling. The maximum angle allowable is 18° away from horizontal. If the canopy (C) touches the hanger ball/downrod assembly (D), turn the canopy (C) 180° before attaching the canopy (C) to the mounting bracket (A).

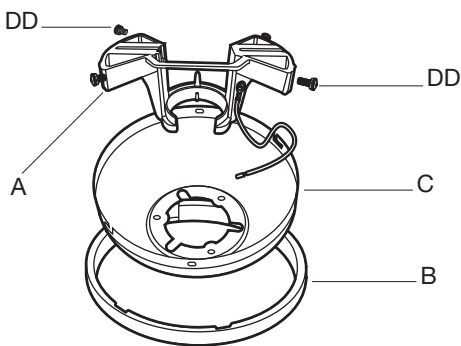


To hang your fan where there is an existing fixture but no ceiling joist, you may need an installation hanger bar (not included) as shown above.

Assembly

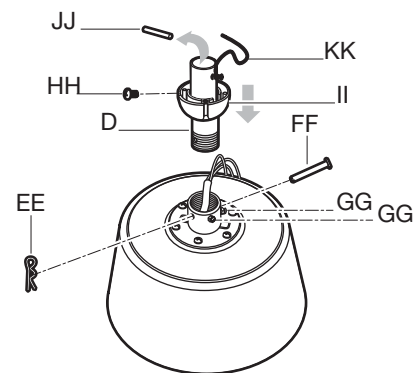
1 Preparing the canopy

- Remove the canopy ring (B) from the canopy (C).
- Remove the two non-slotted canopy mounting screws with lock washers (DD) from the canopy (C), and loosen the slotted canopy mounting screws with lock washers (DD) on the canopy (C).
- Remove the canopy (C) from the mounting bracket (A) by turning the canopy (C) counterclockwise.



2 Preparing the motor

- Remove the cotter pin (EE) and clevis pin (FF), and loosen the two collar setscrews (GG) from the motor collar.
- Take out the setscrew (HH) located in the hanger ball (II), lower the hanger ball (II) and remove the cross pin (JJ). Remove the hanger ball (II) from the hanger ball/downrod assembly (D).
- Remove the ground lead (KK) from the downrod assembly (D).



3 Assembling the fan

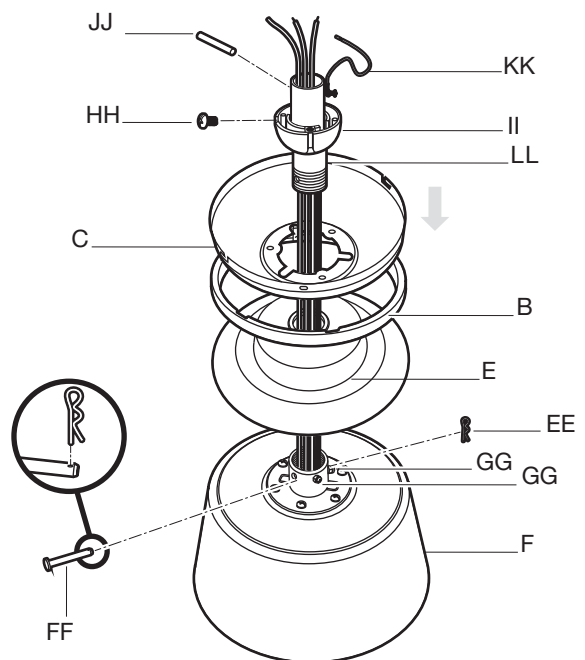


WARNING: Failure to properly install the cotter pin (EE) could result in the fan loosening and possibly falling.



NOTE: If a longer downrod (not included) is needed, take out the screw located in the hanger ball (II), lower the hanger ball (II) and remove the pin (JJ). Remove all three pieces from the downrod and assemble them onto the new longer downrod before proceeding to the downrod installation.

- Carefully feed the motor wires up through the downrod (LL). Thread the downrod (LL) into the collar.
- Align the holes and replace the clevis pin (FF) and cotter pin (EE). Tighten the two collar setscrews (GG).
- Slip the coupling cover (E), canopy ring (B), and canopy (C) onto the downrod (LL).
- Carefully reinstall the hanger ball (II) onto the downrod (LL) and reinstall the ground lead (KK) onto the downrod (LL), being sure that the cross pin (JJ) is in the correct position, the setscrew (HH) is tightened and wires are not twisted.



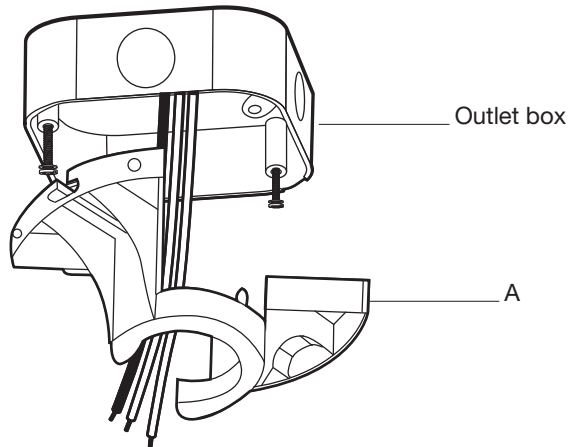
Assembly – Hanging the Fan

4 Attaching the fan to the electrical box



WARNING: To reduce the risk of fire, electric shock or other personal injury, mount the fan only to an outlet box or supporting system marked acceptable for fan support and use the mounting screws provided with the outlet box.

- Pass the 120-volt supply wires through the center hole in the mounting bracket (A).
- Attach the mounting bracket (A) on the outlet box by sliding the mounting bracket (A) over the screws provided with the outlet box. Note that the flat side of the mounting bracket (A) is toward the outlet box.
- Securely tighten the two mounting screws.

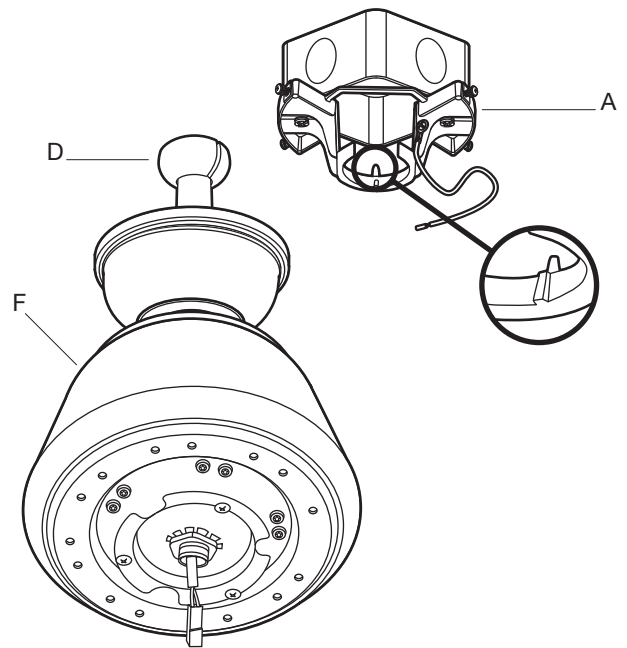


5 Hanging the fan to the mounting bracket



WARNING: The tab in the ring must rest in the groove of the hanger ball/downrod assembly (D). Failure to properly seat the tab in the groove could cause damage to the wiring.

- Carefully lift the fan motor assembly (F) up to the mounting bracket (A) and seat the hanger ball/downrod assembly (D) in the mounting bracket (A) socket. Make sure the tab on the mounting bracket (A) socket is properly seated in the groove in the hanger ball/downrod assembly (D). This will help to balance the ceiling fan.



Assembly — Hanging the Fan (continued)

6 Making the electrical connections



WARNING: To avoid possible electrical shock, be sure electricity is turned off at the main fuse box before wiring.



WARNING: Check to see that all connections are tight, including ground, and that no bare wire is visible at the wire nuts (except for the ground wire).



CAUTION: To reduce the risk of electric shock, this fan must be installed with an isolating wall control/switch.



NOTE: If there is a red wire coming out of the outlet box, be sure to cap this wire with a wire nut.

If you feel you do not have enough electrical wiring knowledge or experience, have your fan installed by a licensed electrician.

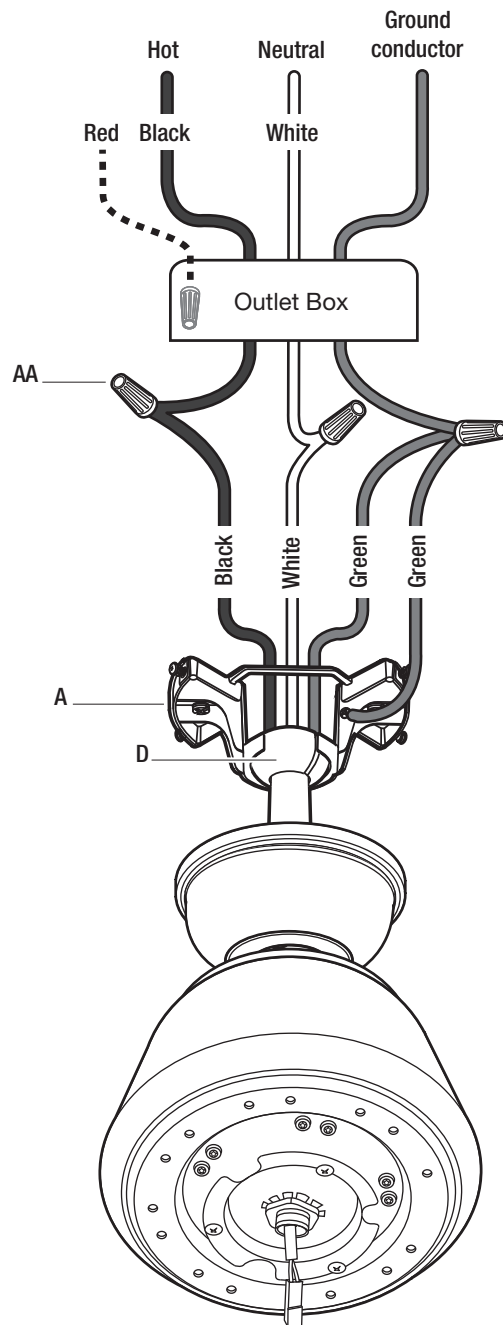
Follow the steps below to connect the fan to your household wiring. Use the plastic wire nuts (AA) with your fan. Secure the plastic wire nuts (AA) with electrical tape. Make sure there are no loose strands or connections.

- Make wire connections as follows, using the wire nuts (AA).

From Fan	To Outlet Box
Black Wire -----	Black Wire (Hot)
White Wire -----	White Wire (Neutral)
Green Wires* -----	Green or Bare Wire (Ground)

* There are two green grounding leads: one from the mounting bracket (A) and one from the hanger ball/downrod assembly (D).

- Turn the wire nut connections upward, spreading them apart so the green (ground) and white wires will be on one side of the outlet box and the black wire will be on the other side. Carefully tuck the connections up into the outlet box.



Assembly — Hanging the Fan (continued)

7 Installing the canopy

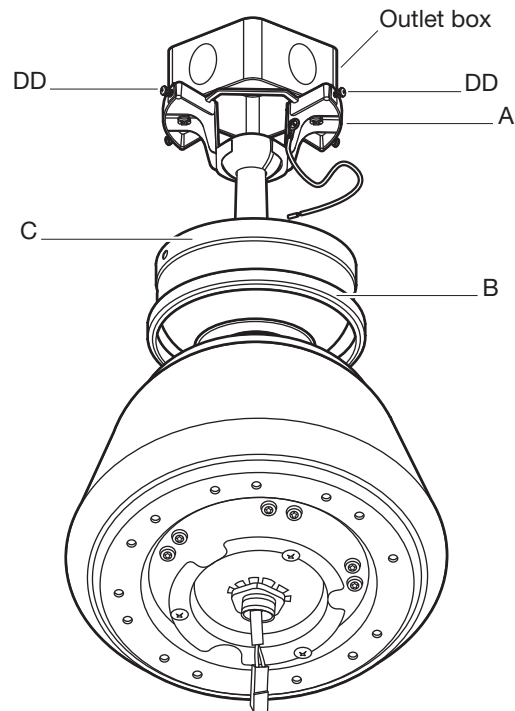


WARNING: Make sure the tab on the mounting bracket (A) properly sits in the groove in the hanger ball (E) before attaching the canopy (C) to the mounting bracket (A) by turning the canopy (C) until it drops into place.



WARNING: The locking slots of the canopy (C) are provided only as an aid to mounting. Do not leave the fan assembly unattended until all four canopy mounting screws with lock washers (DD) are engaged and firmly tightened.

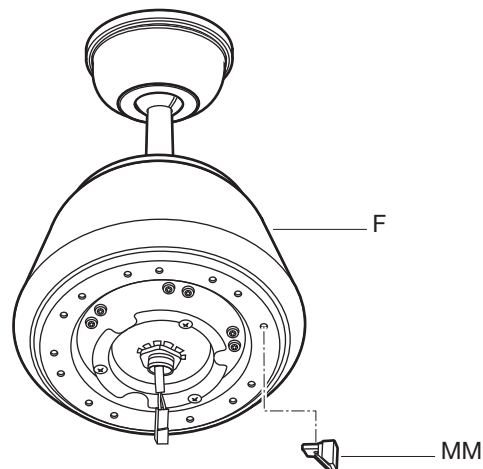
- Slide the canopy (C) up to the ceiling. Make sure you have placed the wires safely into the outlet box.
- Secure the canopy (C) to the mounting bracket (A) with the four canopy mounting screws with lock washers (DD) included with your fan.
- Slide the canopy ring (B) over the canopy (C) and tighten by turning the ring (B).



Assembly — Attaching the Fan Blades

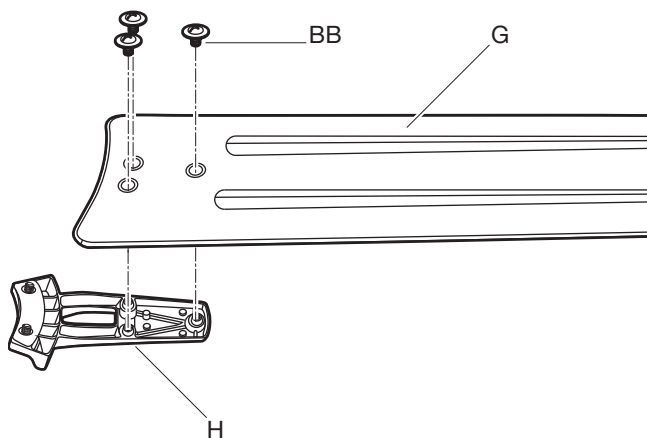
8 Removing the rubber packing mounts

- The fan motor assembly (F) is shipped with rubber packing mounts (MM) to prevent movement during transportation. Remove the eight rubber packing mounts (MM) from the fan motor assembly (F) and discard prior to attaching the blade arms.



9 Attaching the blades to the blade arms

- Attach the blades (G) to the blade arms (H) using the three blade attachment screws and rubber washers (BB). Start a screw with rubber washer (BB) into the blade arms (H), but do not tighten.
- Repeat for the two remaining blade attachment screws and rubber washers (BB).
- Tighten each screw securely starting with the center screw. Make sure the blade (G) is straight.
- Repeat these steps for the remaining blades (G).

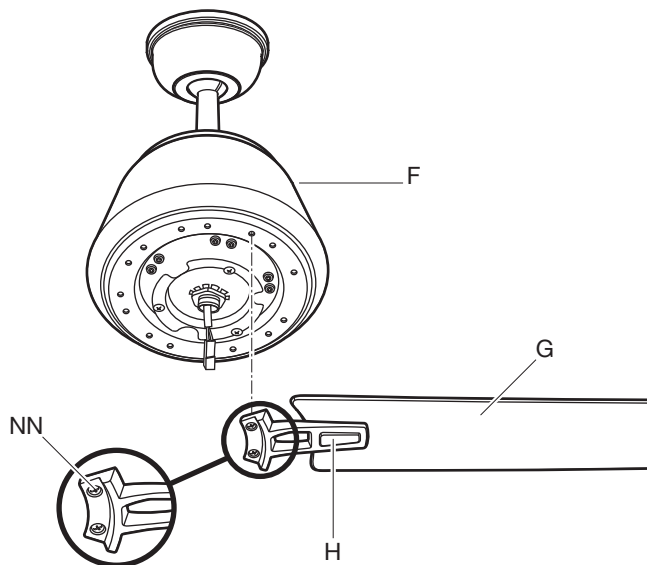


10 Fastening the blade assemblies to the motor



WARNING: To reduce the risk of personal injury, do not bend the blade arms (H) while installing, balancing the blades (G), or cleaning the fan. Do not insert foreign objects between rotating fan blades (G).

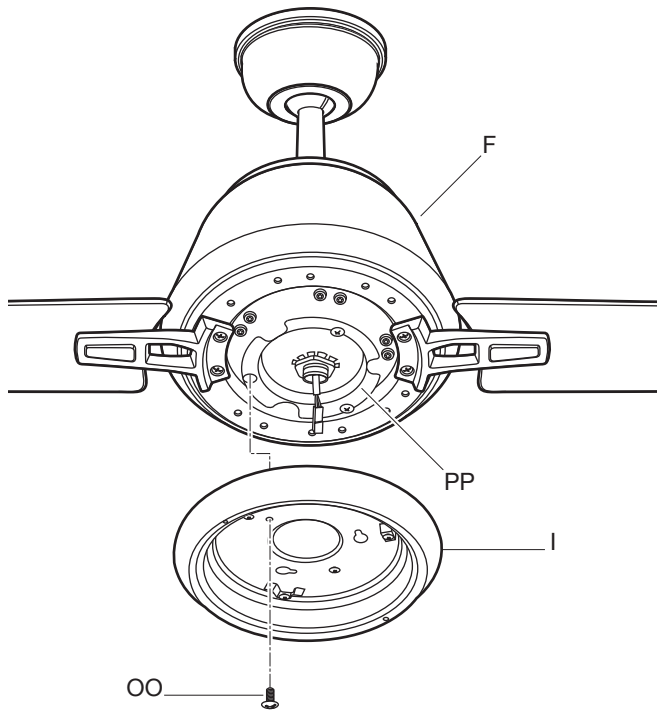
- Fasten the blade assemblies to the fan motor assembly (F).
- Tighten the two blade arm screws and lock washers (NN) already installed in the blade arms (H).
- Repeat this procedure for the remaining blade arms (H).



Assembly – Installing the Light Kit

11 Attaching the light kit mounting plate to the mounting ring

- Remove one of the three light kit mounting plate screws (OO) from the mounting ring (PP) and loosen the other two screws. (Do not remove.)
- Place the key holes in the light kit mounting plate (I) over the two screws (OO) previously loosened from the mounting ring (PP). Turn the light kit mounting plate (I) until the light kit mounting plate (I) locks in place at the narrow section of the key holes.
- Securely tighten the two light kit mounting plate screws (OO) previously loosened and the one (OO) previously removed.

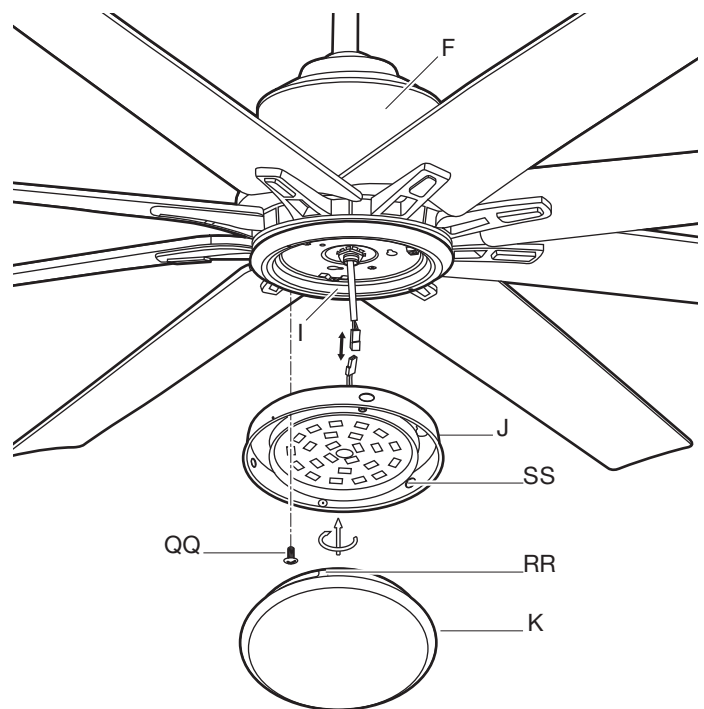


12 Attaching the LED light kit and glass shade



CAUTION: Before starting installation, disconnect the power by turning off the circuit breaker or removing the fuse at the fuse box. Turning power off using the fan switch is not sufficient to prevent electric shock.

- Remove one of the three light kit mounting screws (QQ) from the light kit mounting plate (I) and loosen the other two screws (QQ). (Do not remove.)
- While holding the 18W LED light kit (J) under the fan motor assembly (F), make the 2-pin wire connections:
 - White to white
 - Black to black
- Place the key holes in the 18W LED light kit (J) over the two mounting screws (QQ) previously loosened from the light kit mounting plate (I). Turn the 18W LED light kit (J) until the 18W LED light kit (J) locks in place at the narrow section of the key holes. Secure by tightening the two light kit mounting screws (QQ) previously loosened and the one (QQ) previously removed.
- Position the notches (RR) in the outer rim of the glass shade (K) so they line up with the tabs (SS) on the inside of the rim on the 18W LED light kit (J). Carefully lift the glass (K) up inside the 18W LED light kit (J) and secure it to the fan by turning the glass shade (K) clockwise until snug. **DO NOT OVERTIGHTEN.**



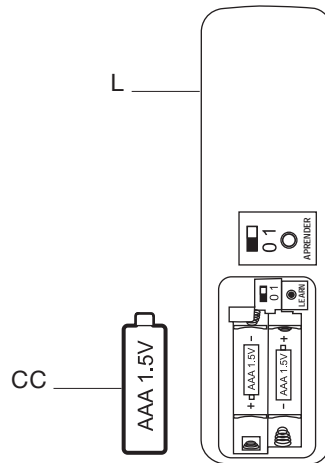
Operation

PREPARING THE TRANSMITTER



NOTE: Batteries will weaken with age and should be replaced before leaking takes place as this will damage the remote control. Dispose of used batteries properly and keep them out of the reach of children.

- ❑ Remove the battery cover by pressing firmly on the arrow and sliding the cover off.
- ❑ Install two 1.5V AAA batteries (CC) (included).
- ❑ Replace the battery cover on the remote control (L).



LEARNING PROCESS



NOTE: The dip switch in the battery compartment has been set on "0" position and paired for your convenience. If you have two or more fans, please follow steps below to control each fan independently.

The learning process causes any installed fan within range to memorize a remote control. Fans can learn five remotes.

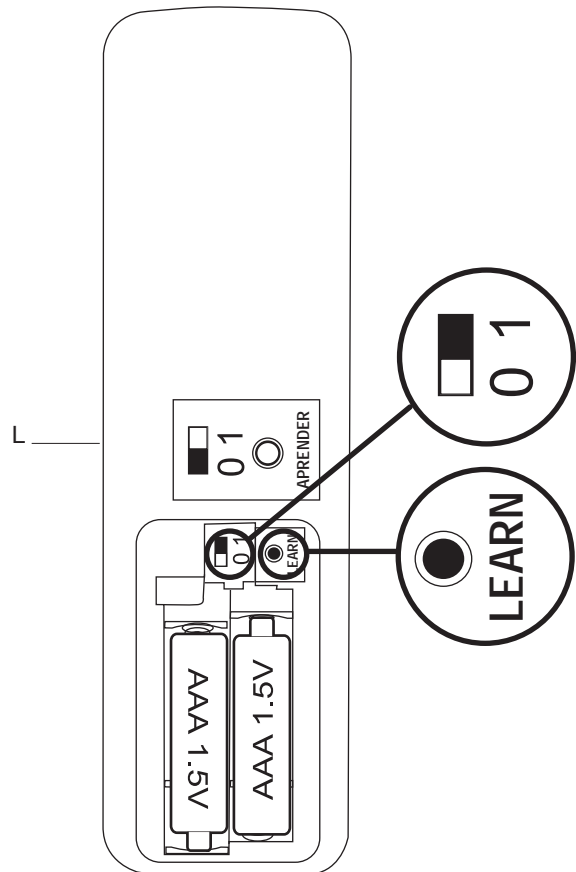
To add a remote to your fan's memory, use the steps below:

- ❑ Ensure AC power to the fan is OFF to begin the learning process.
- ❑ Slide the dip switch in the battery compartment to the "1" position.
- ❑ Turn the fan's AC power ON.



NOTE: If installing multiple fans on separate remotes, only the fan being programmed should have AC power turned ON. All other fans, even if they have already been programmed, should have AC power OFF so they do not memorize other remotes during the learning process. Separate the fan power switches by approximately 2 meters.

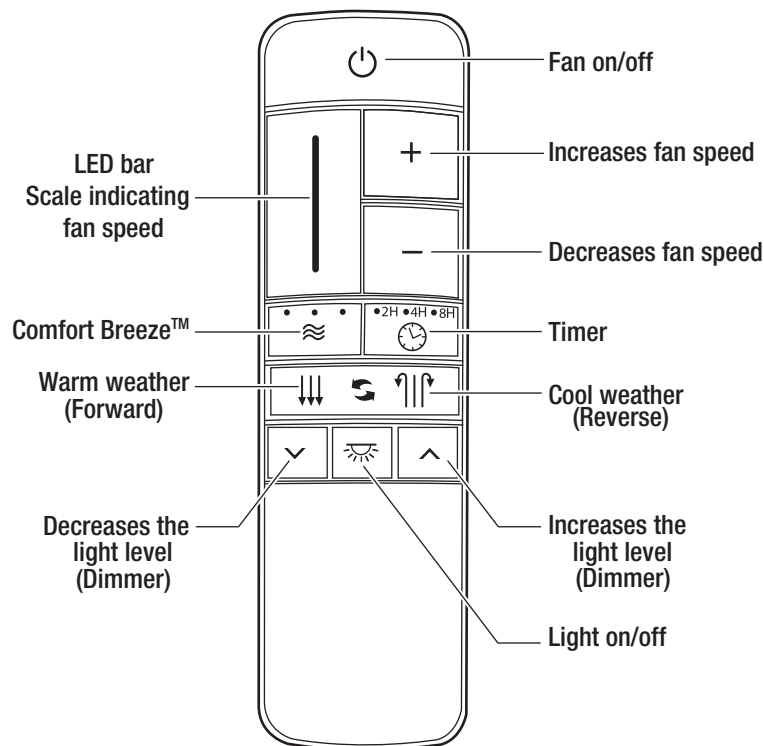
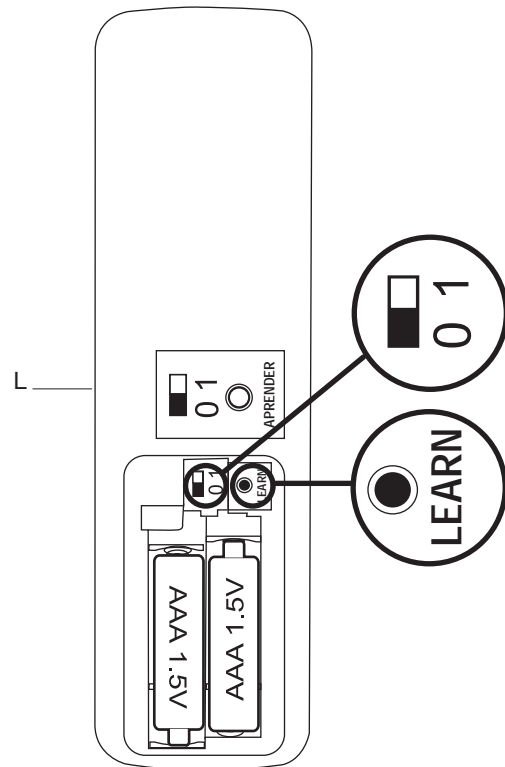
- ❑ Within 60 seconds of turning AC power on, press and release the "LEARN" button located in the remote's battery compartment to enter the learning function. Once the fan has detected the remote controls's frequency, the down light of your fan, if applicable, will blink, and the fan blades will start to spin.
- ❑ The fan will now accept commands from the added remote.



Operation (continued)

To clear all other remotes from your fan's memory, use the steps below:

- Ensure AC power to the fan is OFF to begin the learning process.
- Slide the dip switch in the battery compartment to the "0" position.
- Turn the fan's AC power ON.
- Within 60 seconds of turning AC power ON, press and release the "LEARN" button located in the remote's battery compartment, and your fan will restore to the original setting and dismiss the other remotes.



Operation (continued)

OPERATING YOUR FAN AND REMOTE CONTROL



NOTE: The fan will store the last used speed setting for the next time it is turned on.



NOTE: You must turn the fan on prior to using the speed or time functions.



NOTE: On each start up of your ceiling fan, the fan blades will oscillate back and forth. This is a NORMAL OPERATION for DC motor ceiling fans as they go through a calibration cycle. The fan is NOT DEFECTIVE.

1. Fan button. - Press and release the button to turn the fan on or off.

- When turned on, the fan will begin spinning using its last speed settings. The remote control's LED bar will display the speed setting for 5 seconds.
- When turned off, the fan will stop spinning and the light from the remote control's LED bar will quickly darken from top to bottom.

2. Speed functions

+ button, increases the fan speed

- Pressing and releasing the + button one time will increase the speed of the fan. Each setting increase will cause the LED bar to illuminate slightly more, until the fan has reached the maximum speed setting, at that time the LED bar will be fully illuminated.
- Pressing and holding the + button will increase the fan speed automatically through the speed settings and the increments will be denoted on the LED bar. When the LED bar is fully illuminated, the fan has reached maximum speed setting.
- Pressing the + button while in Comfort Breeze™ mode will automatically cancel the Comfort Breeze™ mode and resume normal fan operation.

- button, decreases fan speed

- Pressing and releasing the - button one time will decrease the speed of the fan. Each setting decrease will cause the LED bar to dim slightly more, until the fan has reached the minimum speed setting. At that time the LED bar will be approximately 25% illuminated.
- Pressing and holding the - button will decrease the fan speed automatically through the speed settings and the reductions will be denoted on the LED bar. When the LED bar is 25% illuminated, the fan has reached the minimum speed setting.
- Pressing the - button while in Comfort Breeze™ mode will automatically cancel the Comfort Breeze™ mode and resume normal fan operation.

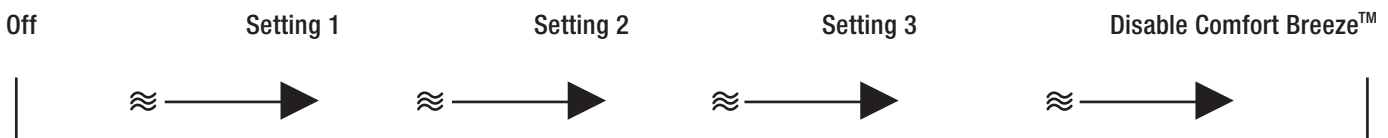
3. Comfort Breeze™



NOTE: If you are using Comfort Breeze™ mode, pressing the  button or the fan speed buttons will cancel Comfort Breeze™ mode and resume normal fan operation.

There are three Comfort Breeze™ settings. Pressing the  button will activate the Comfort Breeze™ mode and the LED bar will illuminate slowly from bottom to top to display the current setting.

- Setting 1: Alternates through speeds 1 – 3, the LED bar should fill approximately 33%.
- Setting 2: Alternates through speeds 1 – 6, the LED bar should fill approximately 66%.
- Setting 3: Alternates through speeds 1 – 9, the LED bar should be fully illuminated.



Operation (continued)

4. Timer 🕒

- Pressing the timer buttons will automatically turn fan and light (if light is on) off after 2, 4, or 8 hours. When you activate the timer mode, the LED to the left of the time above the clock will illuminate.



5. Fan reverse button (Must be pushed when the fan is in operation)

- Warm weather: ↓↓ LED bar will illuminate and the lights will flow from high to low.
- Cool weather: ↑↑ LED bar will illuminate and the lights will flow from low to high.

6. Light 🌞

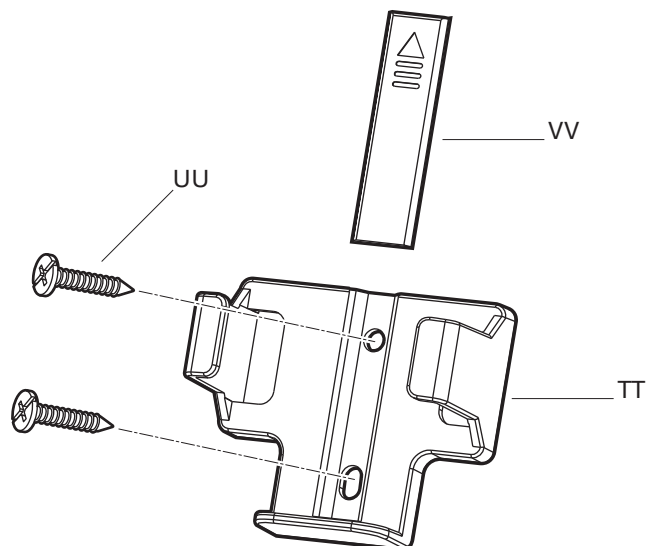
- Press and release the light button to turn the light on or off.
- Light on: The fan memory function will resume the light setting (on or off and dim) on the fan prior to the power being turned off.

7. Dimmer

- Press ▲ to increase the desired light level.
- Press ▼ to decrease the desired light level.

INSTALLING THE REMOTE CONTROL HOLDER

- Attach the remote control holder (TT) with the two remote control holder mounting screws (UU).
- Replace the remote control holder cover (VV) into remote control holder (TT).



Operation (continued)

WARM/COOL WEATHER OPERATING INSTRUCTIONS

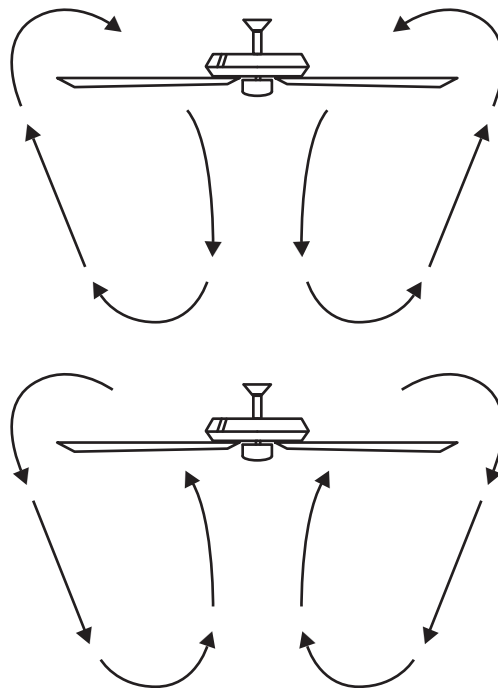
Speed settings for warm or cool weather depend on factors such as the room size, ceiling height, numbers of fans.



NOTE: The fan reverse buttons must be pressed while the fan is running.

Warm weather - (Counterclockwise Direction) A downward air flow creates a cooling effect. This allows you to set your air conditioner on a warmer setting without affecting your comfort.

Cool weather - (Clockwise Direction) An upward air flow moves warm air off the ceiling. This allows you to set your heating unit on a cooler setting without affecting your comfort.



Care and Cleaning

Do

- Check the support connections, brackets, and blade attachments twice a year. Make sure they are secure. Because of the fan's natural movement, some connections may become loose over time. It is not necessary to remove the fan from the ceiling.
- Clean your fan periodically. Use only a soft brush or lint-free cloth to avoid scratching the finish. The plating is sealed with a lacquer to minimize discoloration or tarnishing.
- (Optional) Apply a light coat of furniture polish to the wood blades.
- (Optional) Cover small scratches with a light application of shoe polish.

Do not

- Use water when cleaning. Water could damage the motor, or the wood, or possibly cause an electrical shock.
- Apply oil to your fan or motor. The motor has permanently-lubricated sealed ball bearings.

Troubleshooting



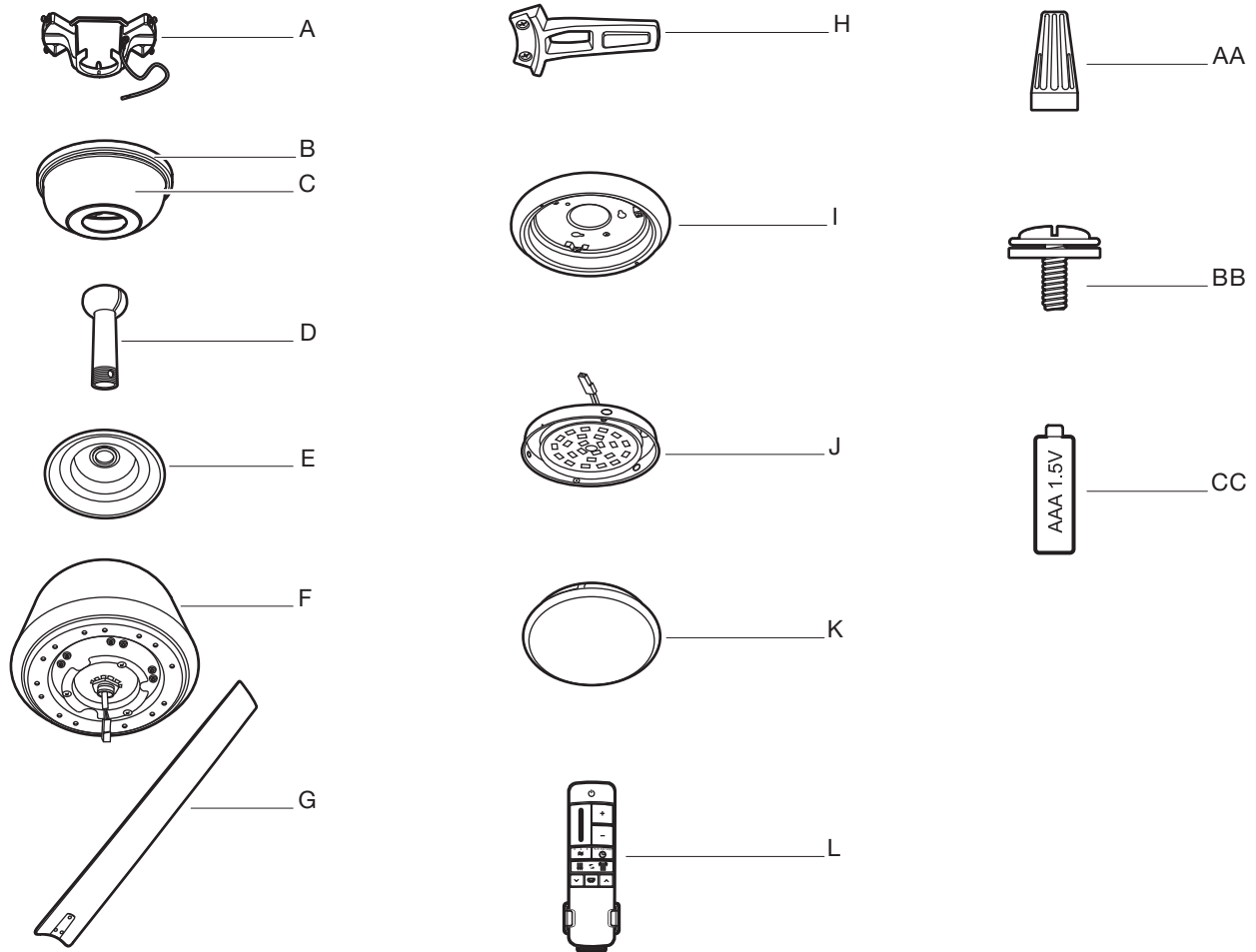
WARNING: Make sure the power is off at the electrical panel box before you attempt any repairs. Refer to the section “Making the Electrical Connections” on page 10.

Problem	Solution
The fan will not start.	<input type="checkbox"/> Check the main and branch circuit fuses or breakers.
	<input type="checkbox"/> Check the line wire connections to the fan and switch wire connections in the switch housing.
	<input type="checkbox"/> Check to make sure the frequency switches from the remote control and receiver are set to the same frequency.
	<input type="checkbox"/> Reset the transmitter by going through the transmitter “LEARNING PROCESS”.
The fan sounds noisy.	<input type="checkbox"/> Make sure all motor housing screws are snug.
	<input type="checkbox"/> Make sure the screws that attach the fan blade arm to the motor hub are tight.
	<input type="checkbox"/> Make sure the wire nut connections are not rattling against each other or the interior wall of the switch housing.
	<input type="checkbox"/> Allow a 24-hour "breaking-in" period. Most noises associated with a new fan disappear during this time.
	<input type="checkbox"/> If using the ceiling light kit, make sure the screws securing are tight. Check that the light bulb is also secure.
	<input type="checkbox"/> Make sure there is a short distance from the ceiling to the canopy. It should not touch the ceiling.
The remote control is not working.	<input type="checkbox"/> Do not connect the fan with wall mounted variable speed control(s).
	<input type="checkbox"/> Make sure the frequency switches are set correctly.
	<input type="checkbox"/> Reset the transmitter by going through the transmitter “LEARNING PROCESS”.
The fan wobbles.	<p><input type="checkbox"/> Verify that all blades and blade bracket screws are secure (most fan wobble problems are caused by loose parts). Once the fan is properly installed, run the ceiling fan for 10 minutes to let the fan self-adjust.</p> <p>If wobble occurs after running the fan for 10 minutes, verify blade level using the following process:</p> <ul style="list-style-type: none"> - Select a point on the ceiling above the tip of one of the blades, then select any fan blade and measure from the center of the selected blade to the point on the ceiling. Rotate the fan until the next blade is positioned and repeat the measurement using the same point from the ceiling for every blade. Measurement deviations should be within 1/8 in.. - If all deviations are less than 1/8 in. and the fan continues to wobble, please call Customer Service (1-800-986-3460) to order a complimentary Blade Balancing Kit. - If deviation is greater than 1/8 in. , please call Customer Service (1-800-986-3460) to order complimentary replacements of your brackets.

Troubleshooting (continued)

Problem	Solution
Fan moves backwards and forwards when turned on.	<ul style="list-style-type: none"><li data-bbox="397 304 1513 388">□ This is normal start-up procedure for DC motor fans. The partial movement during start-up is the result of the DC motor aligning the internal magnetic poles for proper motor operation. This design saves electricity and allows the fan to operate much quieter than standard AC motor fans.

Service Parts



Part	Description
A	Mounting bracket (preassembled)
B	Canopy ring (preassembled)
C	Canopy
D	Hanger ball/downrod assembly
E	Coupling cover
F	Fan motor assembly
G	Blade
H	Blade arm
I	Light kit mounting plate
J	18 watt LED Light kit
K	Glass shade
L	Remote control

Part	Description
AA	Plastic wire nut
BB	Blade attachment screw and rubber washer
CC	1.5V AAA battery

HOME DECORATORS COLLECTION®

Questions, problems, missing parts? Before returning to the store,
call Home Decorators Collection Customer Service
8 a.m. - 7 p.m., EST, Monday-Friday, 9 a.m. - 6 p.m., EST Saturday

1-800-986-3460

HOMEDEPOT.COM/HOMEDECORATORS

Retain this manual for future use.