

IMPORTANT:
Read Before Using

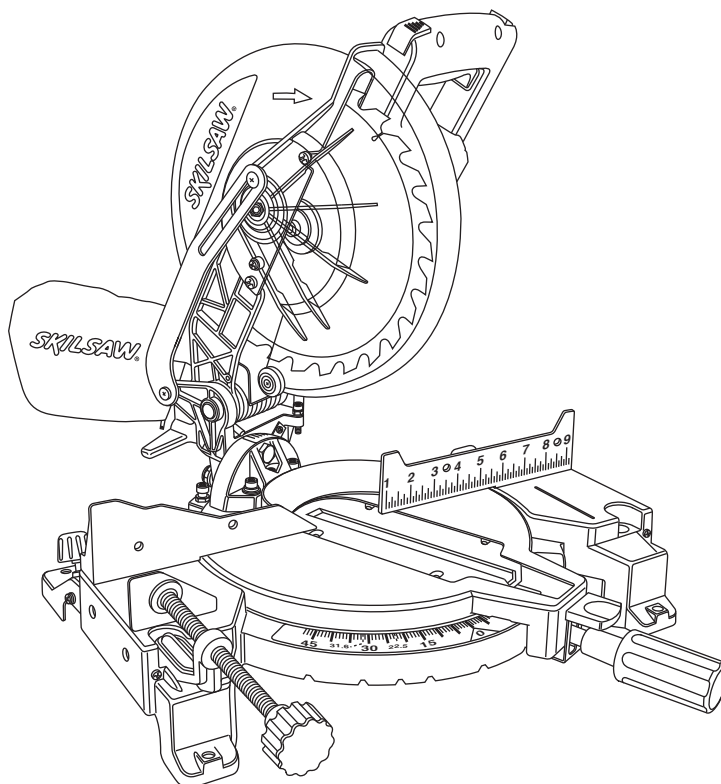
IMPORTANT :
Lire avant usage

IMPORTANTE:
Leer antes de usar



Operating/Safety Instructions
Consignes d'utilisation/de sécurité
Instrucciones de funcionamiento y seguridad

3317



SKIL[®]

**Call Toll Free for
Consumer Information
& Service Locations**

**Pour obtenir des informations et
les adresses de nos centres de
service après-vente,
appelez ce numéro gratuit**

**Llame gratis para
obtener información
para el consumidor y
ubicaciones de servicio**

1-877-SKIL999 (1-877-754-5999) www.skil.com

**For English Version
See page 2**

**Version française
Voir page 10**

**Versión en español
Ver la página 18**

Safety



WARNING

“READ ALL INSTRUCTIONS” — Failure to follow the SAFETY RULES identified by BULLET (•) symbol listed BELOW and other safety precautions, may result in serious personal injury.

General Safety Rules For Bench Top Tools

Work Area

- **Keep work area clean and well lit.** Cluttered benches and dark areas invite accidents.
- **Do not operate power tools in explosive atmospheres, such as in the presence of flammable liquids, gases or dust.** Power tools create sparks which may ignite the dust or fumes.
- **Keep bystanders, children and visitors away while operating a power tool.** Distractions can cause you to lose control.
- **Store idle tools out of reach of children and other untrained persons.** Tools are dangerous in the hands of untrained users.
- **Do not leave tool running unattended, turn power off.** Do not leave tool until it comes to a complete stop.
- **MAKE WORKSHOP CHILDPROOF** with padlock, master switches, or by removing starter keys.

Electrical Safety

- **Before plugging in the tool, be certain the outlet voltage supplied is compatible with the voltage marked on the nameplate within 10%.** An outlet voltage incompatible with that specified on the nameplate can result in serious hazards and damage to the tool.
- **Double insulated tools are equipped with a polarized plug (one blade is wider than the other). This plug will fit in a polarized outlet only one way. If the plug does not fit fully in the outlet, reverse the plug. If it still does not fit, contact a qualified electrician to install a polarized outlet. Do not change the plug in any way.** Double insulation eliminates the need for the three wire grounded power cord and grounded power supply.
- **Avoid body contact with grounded surfaces such as pipes, radiators, ranges and refrigerators.** There is an increased risk of electric shock if your body is grounded.
- **Do not expose power tools to rain or wet conditions.** Water entering a power tool will increase the risk of electric shock.

- **Do not abuse the cord. Never use the cord to carry the tools or pull the plug from an outlet. Keep cord away from heat, oil, sharp edges or moving parts. Replace damaged cords immediately.** Damaged cords increase the risk of electric shock.
- **When operating a power tool outside, use an outdoor extension cord marked “W-A” or “W”.** These cords are rated for outdoor use and reduce the risk of electric shock.

Personal Safety

- **Stay alert, watch what you are doing and use common sense when operating a power tool.** A moment of inattention or use of drugs, alcohol or medication while operating power tools can be dangerous.
- **Dress properly. Do not wear loose clothing or jewelry. Contain long hair. Keep your hair, clothing and gloves away from moving parts. Loose clothes, jewelry or long hair can be caught in moving parts.** Roll long sleeves above elbows. Rubber gloves and non-skid footwear are recommended when working outdoors.
- **Avoid accidental starting. Be sure switch is “OFF” before plugging in.** Carrying tools with your finger on the switch or plugging in tools that have the switch “ON” invites accidents.
- **Remove adjusting keys or wrenches before turning the tool “ON”.** A wrench or a key that is left attached to a rotating part of the tool will be thrown.
- **Do not overreach, keep proper footing and balance at all times.** Proper footing and balance enables better control of the tool in unexpected situations.
- **Do not stand on tool or its stand.** Serious injury may occur if the tool is tipped or if the cutting tool is accidentally contacted. Do not store materials on or near the tool such that it is necessary to stand on the tool or its stand to reach them.
- **Use safety equipment. Always wear safety goggles.** Dust mask, safety shoes, hard hat or hearing protection must be used for appropriate conditions. Everyday eyeglasses only have impact resistant lenses. They are NOT safety glasses

“SAVE THESE INSTRUCTIONS”

Safety



WARNING

“READ ALL INSTRUCTIONS” — Failure to follow the SAFETY RULES identified by BULLET (•) symbol listed BELOW and other safety precautions, may result in serious personal injury.

Tool Use and Care

- **Use clamps or other practical way to secure and support the workpiece to a stable platform.** Holding the work by hand or against your body is unstable. It allows for work to shift, causes binding of the tool and loss of control.
- **Do not force tool. Use the correct tool for your application.** The correct tool will do the job better and safer at the rate for which it is designed. Do not use the tool for purpose not intended - for example; do not use the miter saw for slicing meats.
- **Do not use tool if switch does not turn it “ON” or “OFF”.** Any tool that cannot be controlled with the switch is dangerous.
- **Disconnect the plug from the power source before making any adjustments or changing accessories.** Such preventive safety measures reduce the risk of starting the tool accidentally.
- **Keep cutting tools sharp and clean.** Properly maintained tools, with sharp cutting edges, are less likely to bind and easier to control. When mounting saw blades be certain that the arrow on the blade matches the direction of the arrow marked on the tool and that the teeth are also pointing in the same direction.
- **Inspect guards before using a tool. Keep guards in place. Check moving parts for binding or any other condition that may affect the normal operation or safety features of the tool. If damaged, have tool serviced before using the tool.** Many accidents are caused by poorly maintained tools.
- **Do not alter or misuse tool.** Any alteration or modification is a misuse and may result in serious personal injury.
- **The use of any other accessories not specified in this manual may create a hazard.** Accessories that may be suitable for one type of tool, may become hazardous when used on an inappropriate tool.

Service

- **Tool service must be performed only by qualified repair personnel.** Service or maintenance performed by unqualified personnel may result in misplacing internal wires and components which could cause serious hazard.
- **When servicing a tool, use only identical replacement parts. Follow instructions in the Maintenance section of this manual.** Use of unauthorized parts or failure to follow Maintenance Instructions may create a hazard.

Safety Rules for Miter Saws

- **Use clamps to support workpiece whenever possible. If supporting the workpiece by hand, you must always keep hand outside of “No Hands” area as marked with a symbol on the base. Always use clamp to support workpiece when making compound cuts. Do not use this saw to cut pieces that are too small to be securely clamped.** Your hand if placed inside the “No Hands” region can easily slip or be pulled into the blade.
- **Do not reach in back of the saw blade behind the fence with either hand to hold down or support the workpiece, remove wood scraps, or for any other reason.** The proximity of the spinning saw blade to your hand may not be obvious and you may be seriously injured.
- **Never cross your hand over intended line of cutting.** Supporting the workpiece “cross handed” i.e. holding the left side of the workpiece with your right hand is very dangerous.
- **Always disconnect the power cord from the power source before making any adjustments or attaching any accessories.** You may unintentionally start the saw, leading to serious personal injury.
- **Miter saws are intended primarily to cut wood or woodlike products, they cannot be used with abrasive cutoff wheels for cutting ferrous material such as bars, rods, studs, etc. However, if cutting materials like aluminum or other non-ferrous metals, use only saw blades specifically recommended for non-ferrous metal cutting.** Cutting ferrous materials causes excessive sparking and will damage the lower guard and will overload the motor.
- **Inspect your workpiece before cutting. If workpiece is bowed or warped, clamp it with the outside bowed face toward the fence. Always make certain that there is no gap between the workpiece, fence and table along the line of the cut.** Bent or warped workpieces can twist or rock and may cause binding on the spinning saw blade while cutting. Also, make sure there are no nails or foreign objects in the workpiece.
- **Do not use the saw until the table is clear of all tools, wood scraps, etc., except the workpiece.** Small debris or loose pieces of wood or other objects that contact the revolving blade can be thrown with high speed at the operator.
- **Do not feed workpiece into the blade or cut “freehand” in any way. Workpiece must be stationary and clamped or braced by your hand.** Saw must be fed through the workpiece smoothly and at a rate which will not overload the saw’s motor.

“SAVE THESE INSTRUCTIONS”

Safety



WARNING

“READ ALL INSTRUCTIONS” — Failure to follow the SAFETY RULES identified by BULLET (•) symbol listed BELOW and other safety precautions, may result in serious personal injury.

- **Cut only one workpiece at a time.** Multiple workpieces cannot be adequately clamped or braced and may bind on the blade or shift during cutting.
- **Be certain the miter saw is mounted or placed on a level, firm work surface before using.** A level and firm work surface reduces the risk of the miter saw becoming unstable.
- **This tool is not equipped with provisions for attaching an auxiliary fence. Do not cut materials that exceed the cutting capacities stated in this manual.** Insure that the work piece is supported by the fence before cutting.
- **Plan your work. Provide adequate support accessories such as tables, saw horses, table extension, etc. for workpieces wider or longer than the table top (see page 45).** Workpieces longer or wider than the miter saw table can tip if not securely supported. If the cutoff piece or workpiece tips it can lift the lower guard or be thrown by the spinning blade.
- **Do not use another person as a substitute for a table extension or as additional support.** Unstable support for the workpiece can cause the blade to bind or the workpiece to shift during the cutting operation pulling you and the helper into the spinning blade.
- **The cutoff piece must not be jammed against or pressured by any other means against the spinning saw blade.** If confined, i.e. using length stops, it could get wedged against the blade and thrown violently.
- **Always use a clamp or a fixture designed to properly support round material such as dowel rods, or tubing.** Rods have a tendency to roll while being cut, causing the blade to “bite” and pull the work with your hand into the blade.
- **When cutting irregularly shaped workpieces, plan your work so it will not slip and pinch the blade and be torn from your hand.** A piece of molding, for example, must lie flat or be held by a fixture or jig that will not let it twist, rock or slip while being cut.
- **Let the blade reach full speed before contacting the workpiece.** This will help avoid thrown workpieces.
- **Before sawing, always check that there is no interference between moving and stationary parts of the saw.** Do not operate the saw in the following range of miter and bevel combinations: Left miter angles greater than 45° and bevel angles greater than 35°. These miter and bevel combinations may result in interference between the lower guard and the work piece clamp.
- **Do not use saw blade rated less than 5000/min(RPM).**
- **Do not use a blade larger or smaller than 10" diameter and 5/8" arbor.**
- **If the workpiece or blade becomes jammed or bogged down, turn miter saw “OFF” by releasing switch. Wait for all moving parts to stop and unplug the miter saw, then work to free the jammed material.** Continued sawing with jammed workpiece could cause loss of control or damage to compound miter saw.
- **Braking action of the saw causes the saw head to jerk downward. Be ready for this reaction** when making an incomplete cut or when releasing the switch before the head is completely in the down position.
- **After finishing the cut, release the switch, hold the saw arm down and wait for blade to stop before removing work or cutoff piece. If blade does not stop within seven (7) seconds, unplug the saw and follow the instructions in the Troubleshooting section. REACHING WITH YOUR HAND UNDER A COASTING BLADE IS DANGEROUS!**



WARNING Some dust created by power sanding, sawing, grinding, drilling, and other construction activities contains chemicals known to cause cancer, birth defects or other reproductive harm. Some examples of these chemicals are:

- Lead from lead-based paints,
- Crystalline silica from bricks and cement and other masonry products, and
- Arsenic and chromium from chemically treated lumber.

Your risk from these exposures varies, depending on how often you do this type of work. To reduce your exposure to these chemicals: work in a well ventilated area, and work with approved safety equipment, such as those dust masks that are specially designed to filter out microscopic particles.

- **There are additional safety instructions for particular operations of the saw in the operating section. Read the rest of the manual for safe operation.**

“SAVE THESE INSTRUCTIONS”

Safety

⚠ WARNING "READ ALL INSTRUCTIONS" — Failure to follow the SAFETY RULES identified by BULLET (•) symbol listed BELOW and other safety precautions, may result in serious personal injury.

- **Do not allow familiarity gained from frequent use of your miter saw to become commonplace.** Always remember that a careless fraction of a second is sufficient to inflict severe injury.
- **THINK SAFETY!** SAFETY IS A COMBINATION OF OPERATOR'S COMMON SENSE, KNOWLEDGE OF THE SAFETY AND OPERATING INSTRUCTIONS AND ALERTNESS AT ALL TIMES WHEN THE MITER SAW IS BEING USED.

⚠ WARNING THE WARNINGS SHOWN BELOW CAN BE FOUND ON YOUR TOOL. THESE WARNINGS ARE ONLY A CONDENSED FORM OF THE MORE DETAILED SAFETY RULES AND PRECAUTIONS THAT APPEAR IN YOUR OWNER'S MANUAL. THEY SERVE AS A REMINDER OF ALL SAFETY RULES NEEDED FOR SAFE OPERATION OF THIS MITER SAW.



DESIGNATED DANGER ZONE. AVOID POSITIONING HANDS, FINGERS OR ARMS IN THE AREA DESIGNATED BY THIS SYMBOL.

⚠ AVERTISSEMENT Pour réduire le risque de blessure, lire et comprendre le mode d'emploi. ▲ Utilisez une protection oculaire, auditive et respiratoire. ▲ Utilisez une lame homologuée pour 5000 coups/min ou plus. ▲ Ne pas utiliser la scie sans système de protection en état de marche. Si le dispositif de protection ne fonctionne pas correctement, le faire réparer. Après un changement de lame, remettre le dispositif de protection en position de fonctionnement. ▲ Garder les mains à une distance sûre de la lame de scie. Toujours rester hors de la zone Pas de mains. ▲ Débrancher la scie avant de l'entretenir ou de changer la lame. ▲ N'entendez pas le bras de l'autre côté ou à l'arrière de la lame de scie. ▲ Maintenir ou fixer la pièce à travailler contre une base ou un guide. Ne jamais effectuer d'opération à main libre. ▲ Ne pas couper en face de la main. Ne jamais placer la main ou le bras dans le trajet prévu de la lame. Le moteur à l'ARRÊT, simuler un trajet sans couper pour vérifier la portée de la lame. ▲ Après l'ARRÊT de la scie, garder la scie en position basse et attendre que la lame s'arrête avant de retirer les pièces découpées ou de changer de réglage. ▲ Afin d'éviter une décharge électrique, ne pas exposer à la pluie ni utiliser dans des endroits humides. ▲ En cas de réparation, n'utiliser que des pièces de rechange identiques. ▲ Utilisez toujours un support auxiliaire pour soutenir les ouvrages très longs. ▲ Utilisez toujours la bride de fixation pour assujettir l'ouvrage lorsque vous effectuez une coupe d'onglet composée. Ne le soutenez pas à la main.

⚠ WARNING To reduce the risk of injury, always use the clamp to support the workpiece when making a compound miter cut. Do not support by hand.

⚠ ADVERTENCIA Para reducir el riesgo de lesiones, utilice siempre la abrazadera para soportar la pieza de trabajo cuando haga un corte de inglete compuesto. No soporte la pieza de trabajo con la mano.

⚠ AVERTISSEMENT Pour réduire le risque de blessure, utilisez toujours la bride de fixation pour assujettir l'ouvrage lorsque vous effectuez une coupe d'onglet composée. Ne le soutenez pas à la main.

⚠ WARNING To reduce risk of injury, user must read and understand the instruction manual. ▲ Wear eye, hearing and respiratory protection. ▲ Use saw blade rated 5000/min or greater. ▲ Do not use saw without functioning guard system. If guard doesn't operate smoothly, have it serviced. After changing blade return guard to operating position. ▲ Keep hands a safe distance from saw blade. Always keep outside of No-Hands zone. ▲ Disconnect saw from power source before servicing or changing blade. ▲ Never reach around or in the back of the saw blade. ▲ Hold or clamp workpiece against base and fence. Never perform any operation freehand. ▲ Do not Cross-Hand cut. Never place your hands or arms across the projected saw blade path. With motor OFF, make a Dry-Run to be aware of the blade's reach. ▲ After turning saw OFF, keep saw in the down position and wait for blade to stop before removing cutoff pieces or changing settings. ▲ To avoid electrical shock, do not expose to rain or use in damp locations. ▲ When servicing use only identical replacement parts. ▲ Always use auxiliary stand to support long workpieces. ▲ Always use the clamp to support the workpiece when making a compound miter cut. Do not support by hand.

⚠ ADVERTENCIA Para reducir el riesgo de lesiones, el usuario debe leer y entender el manual de instrucciones. ▲ Use protección de los ojos, de la audición y protección respiratoria. ▲ Use una hoja de sierra con capacidad nominal de 5000/min o mayor. ▲ No use la sierra si el sistema del protector no funciona correctamente. Si el protector no funciona con suavidad, haga que lo dan servicio de ajustes y reparaciones. Después de cambiar la hoja, regrese el protector a la posición de funcionamiento. ▲ Mantenga las manos a una distancia segura de la hoja de sierra. Manténgalas siempre fuera de la zona de "manos no". ▲ Desconecte la sierra de la fuente de energía antes de realizar servicio de ajustes y reparaciones o de cambiar la hoja. ▲ No punja nunca las manos alrededor de la hoja de sierra ni detrás de ella. ▲ Fije o sujete con abrazaderas la pieza de trabajo contra la base y el tope-guía. No realice nunca operaciones a pulso.

⚠ ADVERTENCIA Para evitar las descargas eléctricas, no exponga la herramienta a la lluvia ni la utilice en lugares húmedos. ▲ No corte transversalmente a las manos. Nunca ponga las manos o los brazos en la trayectoria proyectada de la hoja de sierra. Con el motor en la posición de apagado, haga una pasada de prueba para comprobar el alcance de la hoja. ▲ Después de apagar la sierra, manténgala en la posición hacia abajo y respere a que la hoja se detenga antes de retirar las piezas cortadas o cambiar los ajustes. ▲ Cuando haga servicio de ajustes y reparaciones de la herramienta, utilice únicamente piezas de repuesto idénticas. ▲ Utilice siempre la base de soporte auxiliar para soportar las piezas de trabajo largas. ▲ Utilice siempre la abrazadera para soportar la pieza de trabajo cuando haga un corte de inglete compuesto. No soporte la pieza de trabajo con la mano.

SKILSAW 3317
0101(254mm) COMPOUND MITER SAW
120V - 60Hz 15A n/s 5000/min (RPM)
F012391700
Robert Bosch Tool Corp.
Mount Prospect, IL Made in China
UL LISTED
T08, CSPP
#162254

DANGER	PELIGRO
LASER RADIATION - AVOID DIRECT EYE EXPOSURE	RADIACIÓN LÁSER: EVITE LA EXPOSICIÓN DIRECTA DE LOS OJOS
WAVELENGTH: 650 nm Max. Output: < 5 mW	DANGER RAYONNEMENT LASER - ÉVITER D'Y EXPOSER DIRECTEMENT LES YEUX
CLASS IIIa LASER PRODUCT	COMPLIES WITH FDA 21CFR1040.10 AND 1040.11

• AVOID EXPOSURE - LASER RADIATION IS EMITTED FROM THIS APERTURE.
• EVITE LA EXPOSICIÓN. DESDE ESTA ABERTURA SE EMITE RADIACIÓN LÁSER.
• ÉVITER L'EXPOSITION - RAYONNEMENT LASER ÉMIS PAR CETTE OUVERTURE.


"SAVE THESE INSTRUCTIONS"

Safety

⚠ WARNING “READ ALL INSTRUCTIONS” — Failure to follow the SAFETY RULES identified by BULLET (•) symbol listed BELOW and other safety precautions, may result in serious personal injury.

Connection to a Power Source

Double Insulated Tools

Double insulation  is a design concept used in electric power tools which eliminates the need for the three wire grounded power cord and grounded power supply system. It is a recognized and approved system by Underwriter's Laboratories, CSA and Federal OSHA authorities.

⚠ WARNING Servicing of a tool with double insulation requires care and knowledge of the system and should be performed only by a qualified service technician.

⚠ WARNING WHEN SERVICING, USE ONLY IDENTICAL REPLACEMENT PARTS.

⚠ WARNING POLARIZED PLUGS. To reduce the risk of electrical shock, your tool is equipped with a polarized plug (one blade is wider than the other), this plug will fit in a polarized outlet only one way. If the plug does not fit fully in the outlet, reverse the plug. If it still does not fit, contact a qualified electrician to install the proper outlet. To reduce the risk of electrical shock, do not change the plug in any way.

Extension Cords

⚠ WARNING Replace damaged cords immediately. Use of damaged cords can shock, burn or electrocute.

⚠ WARNING If an extension cord is necessary, a cord with adequate size conductors should be used to prevent excessive voltage drop, loss of power or overheating. The table shows the correct size to use, depending on cord length and nameplate amperage rating of tool. If in doubt, use the next heavier gauge. Always use U.L. and CSA listed extension cords.

**RECOMMENDED SIZES OF EXTENSION CORDS
120 VOLT ALTERNATING CURRENT TOOLS**

Tool's Ampere Rating	Cord Size in A.W.G.				Wire Sizes in mm ²			
	Cord Length in Feet				Cord Length in Meters			
	25	50	100	150	15	30	60	120
3-6	18	16	16	14	.75	.75	1.5	2.5
6-8	18	16	14	12	.75	1.0	2.5	4.0
8-10	18	16	14	12	.75	1.0	2.5	4.0
10-12	16	16	14	12	1.0	2.5	4.0	—
12-16	14	12	—	—	—	—	—	—

NOTE: The smaller the gauge number, the heavier the cord.

“SAVE THESE INSTRUCTIONS”

Maximum Cutting Capacities

Miter Angle / Bevel Angle	dimensional lumber		actual sizes			
	inches		inches		centimeters	
	height	width	height	width	height	width
0 / 0	Maximum Height	4 x 4	3-1/2	3-1/2	8.9	8.9
0 / 0	Maximum Width	2 x 6	1-1/2	5-1/2	3.8	14.0
45 / 0		2 x 4	1-1/2	3-1/2	3.8	8.9
0 / 45		2 x 6	1-1/2	5-1/2	3.8	14.0
45 / 45		2 x 4	1-1/2	3-1/2	3.8	8.9

Table of Contents

	Page		Page
Safety	2-6	Base-To-Blade	41
General Safety Rules for Benchtop Tools	2-3	Bevel Stop	41
Safety Rules for Miter Saws	3-6	Basic Saw Operations	43-45
Table of Contents	7	Body and Hand Position	43
Electrical Requirements	7	Workpiece Support.....	45
Laser Warnings	8	Miter Saw Work Support kit	47
Getting to Know your Miter Saw	9	Switch Activation	49
Unpacking and Checking Contents	26	Laser Alignment System	49
Assembly	26-33	Head Assembly lock Pin	49
Tools needed for Assembly and Alignment.....	26	Saw Operations	51-63
Installation of Miter Lock Knob.....	29	Miter Cut	51
Store the Saw Blade Wrench.....	29	Bevel Cut	53
Installing the Dust Bag	31	Compound Cuts	55
Installing the Vise Clamp.....	31	Base Molding.....	57
Removal and Installation of the Blade	33	Cutting Crown Molding.....	57, 60
Using Carbide-Tipped Blades	33	Special Cuts	63
Installation	35, 37	Maintenance and Lubrication	65, 67
Mounting Applications.....	35, 37	Troubleshooting	69
Adjustments	39-41	Limited Warranty	Inside Back Cover
Blade-To-Fence.....	39		

Electrical Requirements

1. Connect this saw to a 120V, 15-amp branch circuit with a 15-amp time delay fuse or circuit breaker. Using the wrong size fuse can damage the motor.
2. Fuses may “blow” or circuit breakers may trip frequently if motor is overloaded. Overloading can occur if you feed the blade into the workpiece too rapidly or start and stop too often in a short time.
3. Most motor troubles may be traced to loose or incorrect connections, overload, low voltage (such as small size wire in the supply circuit or to overly long supply circuit wire). Always check the connections, the load and the supply circuit whenever motor does not work well.

Electric Brake

Your saw is equipped with an automatic electric brake which is designed to stop the blade from spinning in about seven (7) seconds after you release the trigger switch. It is useful when making certain cuts in wood where a coasting blade would result in a wide, imprecise cut.

⚠ WARNING When electrical power is lost due to blown fuse or other causes, the motor will gradually slow down and the braking action is initiated ONLY by the release of the trigger switch.

The electric blade brake of your miter saw has been designed for highest degree of reliability, but unexpected circumstances such as contamination on the commutator and brushes or failure of motor’s components can cause the brake not to activate. If this condition occurs, turn the saw “ON” and “OFF” four to five times without contacting the workpiece. If the tool operates but the brake does not consistently stop the blade in about seven (7) seconds, DO NOT use saw and have it serviced immediately.

⚠ WARNING The brake action of this saw is not intended as a safety feature. Remember to let the saw blade come to a complete stop before removing from the workpiece. As always the guard system is your best protection against unintentional contact with a spinning saw blade. NEVER wedge open or defeat the closing action of the lower guard.

Laser Warnings

⚠ DANGER **LASER RADIATION. AVOID DIRECT EYE EXPOSURE. DO NOT stare into the laser light source. Never aim light at another person or object other than the workpiece.** Laser light can damage your eyes.

⚠ WARNING **DO NOT use tinted glasses to enhance the laser light.** Tinted glasses will reduce overall vision for the application and interfere with the normal operation of the tool.

⚠ WARNING **Never aim the beam at a workpiece with a reflective surface.** Bright shiny reflective sheet steel or similar reflective surfaces are not recommended for laser use. Reflective surfaces could direct the beam back toward the operator.

⚠ CAUTION Use of controls or adjustments or performance of procedures other than those specified herein may result in hazardous radiation exposure.

⚠ WARNING The use of optical instruments with this product will increase eye hazards.

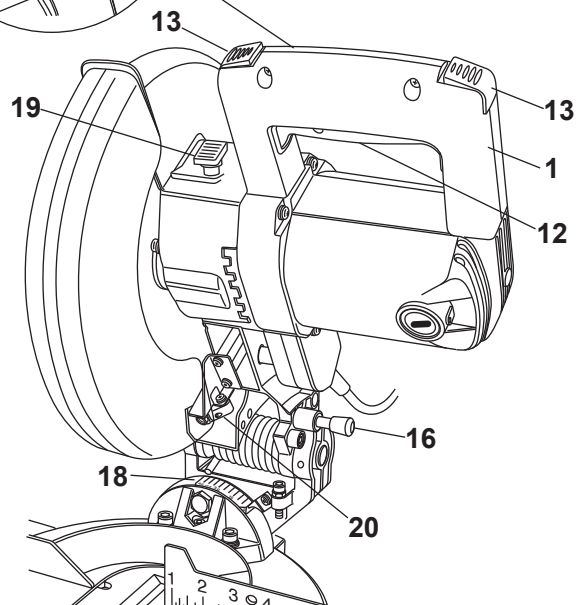
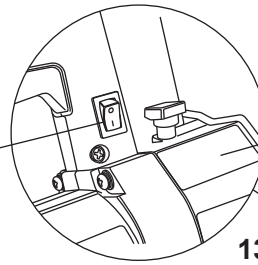
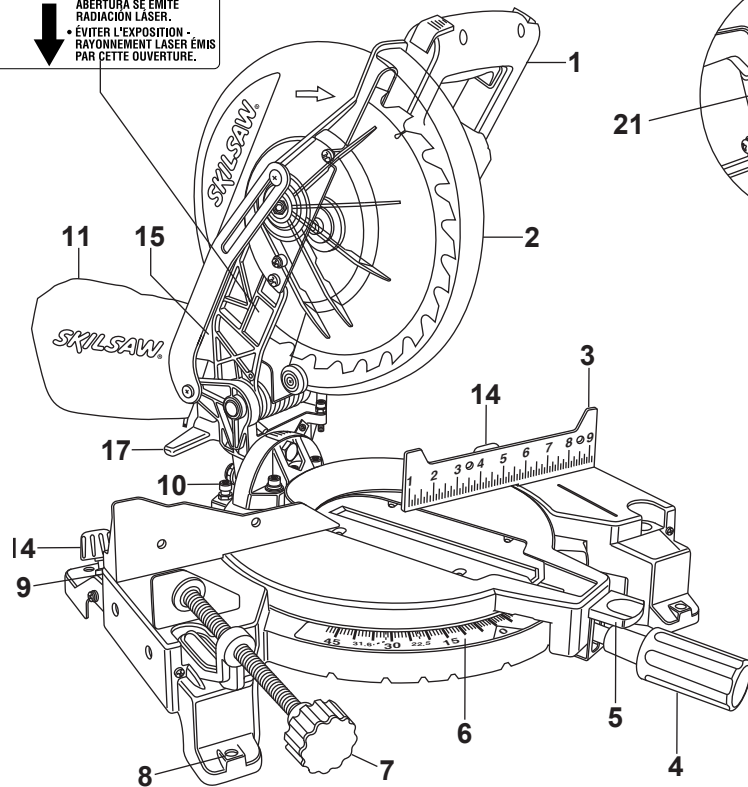
The laser light guide is a class IIIA laser with a maximum output power of 5.0 mWatts and conforms to 21 CFR 1040.10 and 1040.11.

DANGER	PELIGRO
 <p>LASER RADIATION - AVOID DIRECT EYE EXPOSURE</p> <p>WAVELENGTH: 650 nm Max. Output: < 5 mW</p>	<p>RADIACIÓN LÁSER: EVITE LA EXPOSICIÓN DIRECTA DE LOS OJOS</p>
CLASS IIIa LASER PRODUCT	<p>DANGER</p> <p>RAYONNEMENT LASER -ÉVITER D'Y EXPOSER DIRECTEMENT LES YEUX</p> <p>COMPLIES WITH FDA 21CFR1040.10 AND 1040.11</p>

- AVOID EXPOSURE - LASER RADIATION IS EMITTED FROM THIS APERTURE.
 - EVITE LA EXPOSICIÓN. DESDE ESTA ABERTURA SE EMITE RADIACIÓN LÁSER.
 - ÉVITER L'EXPOSITION - RAYONNEMENT LASER ÉMIS PAR CETTE OUVERTURE.
- 

Getting To Know Your Miter Saw

• AVOID EXPOSURE - LASER RADIATION IS EMITTED FROM THIS APERTURE.
• EVITE LA EXPOSICIÓN. DESDE ESTA ABERTURA SE EMITE RADIACIÓN LASER.
• ÉVITER L'EXPOSITION - RAYONNEMENT LASER ÉMIS PAR CETTE OUVERTURE.



⚠ WARNING To avoid injury from accidental starting, remove plug from power source outlet before making any adjustments.

1. **Switch Handle** — This handle contains the switch. The blade is lowered into the workpiece by pushing/pulling down on the handle.
2. **Lower Blade Guard/Lower Guard Lip** — The lower blade guard helps protect your hands from the spinning blade. It retracts as the blade is lowered. Lip can be used to raise the lower guard when guard becomes jammed on a workpiece.
3. **Fence** — Supports the workpiece. The fence has a cast in scale to make repetitive cuts easy.
4. **Miter Lock Knob** — The miter lock knob locks the miter saw table at any desired miter angle.
5. **Miter Detent Trigger** — The trigger releases the table from the detent.
6. **Miter Scale** — This scale allows you to read the miter angles easily.
7. **Vise Clamp** — Provides fast clamping of workpiece.
8. **Tool Mounting Pads** — Four areas to clamp, bolt or nail the saw to a flat work surface.
9. **Hex Wrench** — Used for tightening/loosening blade.
10. **Bevel Stop Screws** — Used to adjust the blade square against the base at 90 and at 45 degree bevel.
11. **Dust Collection Bag** — Attaches to the dust port and collects dust to help keep work area clean.
12. **Trigger Switch** — The power switch used with the ambidextrous switch energizes the unit.
13. **Lock-Off Switch** — The left or right hand ambidextrous switch must be pressed to activate the power switch.
14. **Quick Clamp Knobs** — Allows for fast and easy mounting to the Skil miter saw stand.
15. **Dust Port** — The dust port can accommodate the dust bag or a 1-1/4" vacuum hose hookup.
16. **Head Assembly Lock Pin** — The compound miter saw is equipped with a lock pin used to lock the head assembly in the lower position.
17. **Bevel Lock Knob** — The bevel lock handle locks the head assembly at a desired bevel angle.
18. **Bevel Scale** — The scale allows you to read the bevel angles easily.
19. **Arbor Lock** — Keeps the blade from rotating while tightening or loosening arbor screw during blade replacement or removal.
20. **Laser Alignment System**
Your miter saw is equipped with a laser alignment system to help identify where the blade will contact the work piece.
21. **Laser On/Off Switch**
Turns the laser alignment system on and off.

FOR CONTINUATION OF ENGLISH SEE PAGE 26

Sécurité



AVERTISSEMENT « LISEZ TOUTES LES INSTRUCTIONS » — L'utilisateur qui négligerait de suivre les CONSIGNES DE SÉCURITÉ précédées d'un point noir (•) ci-dessous et de prendre d'autres précautions élémentaires risquerait de subir de graves blessures.

Consignes générales de sécurité pour les outils d'établi

Zone de travail

- **Gardez la zone de travail propre et bien éclairée.** Les établis encombrés et les endroits sombres invitent les accidents.
- **N'utilisez pas les outils électriques en atmosphères explosives, comme en présence de poussière, de gaz ou de liquides inflammables.** Les outils électriques créent des étincelles qui peuvent enflammer la poussière ou les vapeurs.
- **Gardez les spectateurs, les enfants et les visiteurs à l'écart lorsque vous utilisez un outil électrique.** Les distractions peuvent vous faire perdre le contrôle.
- **Rangez les outils inutilisés hors de portée des enfants et autres personnes sans formation à cet égard.** Les outils sont dangereux entre les mains d'utilisateurs non formés.
- **Ne laissez pas l'outil en marche, sans surveillance, mettez hors tension.** Ne laissez pas l'outil avant qu'il soit à l'arrêt complet.
- **RENDEZ L'ATELIER À L'ÉPREUVE DES ENFANTS** à l'aide de cadenas ou d'interrupteurs principaux, ou en retirant les clés du démarreur.

Sécurité électrique

- **Avant de brancher l'outil à une prise de courant, assurez-vous que la tension fournie correspond, à 10 % près, à celle spécifiée sur la plaque signalétique.** Une tension de sortie incompatible avec celle spécifiée sur la plaque signalétique risque de blesser sérieusement l'utilisateur sans mentionner l'endommagement de l'outil.
- **Les outils à double isolation sont pourvus d'une fiche polarisée (une lame est plus large que l'autre). Cette fiche ne peut être insérée dans une prise polarisée que d'une seule façon. Si la fiche ne s'insère pas à fond dans la prise, inversez la fiche. Si elle ne rentre toujours pas, contactez un électricien qualifié pour faire poser une prise polarisée. Ne modifiez la fiche d'aucune façon.** La double isolation élimine la nécessité d'un cordon mis à la terre à trois fils et d'une alimentation mise à la terre.
- **Évitez tout contact corporel avec les surfaces mises à la terre telles que tuyaux, radiateurs, cuisinières et réfrigérateurs.** Ces surfaces posent un risque accru de secousses électriques si votre corps est mis à la terre.
- **N'exposez pas les outils électriques à la pluie ou à l'humidité.** L'eau pénétrant dans un outil électrique augmentera le risque de secousses électriques.

- **N'abusez pas du cordon. N'utilisez jamais le cordon pour transporter les outils et ne tirez pas la fiche d'une prise. Tenez le cordon à l'écart de la chaleur, de l'huile, des arêtes vives ou des pièces mobiles. Remplacez les cordons abîmés immédiatement.** Les cordons abîmés augmentent le risque de secousses électriques.
- **Lorsque vous utilisez un outil électrique à l'extérieur, utilisez un cordon de rallonge pour service extérieur marqué « W-A » ou « W ».** Ces cordons sont prévus pour usage extérieur et réduisent le risque de secousses électriques.

Sécurité personnelle

- **Demeurez vigilant, surveillez ce que vous faites et faites preuve de discernement en utilisant un outil électrique.** Un moment d'inattention ou la prise de drogues, d'alcool ou de médicaments peut s'avérer dangereux durant l'utilisation d'un outil électrique.
- **Portez des vêtements convenables. Ne portez pas de vêtements amples ni de bijoux. Pour les cheveux longs, nous conseillons le port d'un serre-tête. Tenez les cheveux, les vêtements et les gants à l'écart des pièces mobiles. Les vêtements amples, les bijoux ou les cheveux longs risquent de s'accrocher dans les pièces mobiles.** Roulez les manches longues au-dessus du coude. Le port de gants en caoutchouc et de chaussures à semelle antidérapante est recommandé si vous travaillez à l'extérieur.
- **Évitez la mise en marche accidentelle. Assurez-vous que l'interrupteur est à l'arrêt avant de brancher.** Le transport de l'outil avec le doigt sur l'interrupteur ou le branchement d'outils dont l'interrupteur est à la position de marche invite les accidents.
- **Enlevez les clés de réglage et autres clés avant de mettre l'outil en marche.** Une clé qui est laissée fixée à une pièce rotative de l'outil sera projetée.
- **Travaillez avec aplomb et équilibre à tout moment, ce qui aide à mieux contrôler l'outil dans les cas imprévus.**
- **Ne montez pas sur l'outil ni sur son support.** Des blessures graves peuvent être causées en cas de basculement de l'outil ou de contact accidentel avec l'outil de coupe. Ne conservez pas de matériaux sur ou à proximité de l'outil de sorte qu'il soit nécessaire de monter sur l'outil ou son support pour les atteindre.
- **Utilisez l'équipement de sécurité. Portez toujours des lunettes à coques latérales.** Un masque anti-poussière, des chaussures de sécurité, un casque dur ou des protège-oreilles doivent être utilisés si la situation l'exige. Les lunettes de tous les jours comportent uniquement des verres résistant aux chocs. Ce NE SONT PAS des lunettes de sécurité.

« CONSERVEZ CES INSTRUCTIONS »

Sécurité



AVERTISSEMENT

« LISEZ TOUTES LES INSTRUCTIONS » — L'utilisateur qui négligerait de suivre les CONSIGNES DE SÉCURITÉ précédées d'un point noir (•) ci-dessous et de prendre d'autres précautions élémentaires risquerait de subir de graves blessures.

Utilisation et entretien de l'outil

- **Utilisez des pinces ou autre façon pratique d'assujettir et de supporter l'ouvrage à une plate-forme stable.** Tenir l'ouvrage à la main ou contre son corps n'assure pas la stabilité voulue. L'ouvrage peut ainsi se déplacer, faire gripper l'outil et vous faire perdre le contrôle de l'outil.
- **Ne forcez pas l'outil. Utilisez l'outil convenant à votre application.** L'outil convenable exécutera le travail plus efficacement et plus sûrement à la vitesse à laquelle il est conçu. N'utilisez pas l'outil à une fin autre que celle à laquelle il est prévu — ainsi, n'utilisez pas la scie à onglet pour trancher les viandes.
- **N'utilisez pas l'outil si l'interrupteur ne le met pas en marche et à l'arrêt.** Tout outil qui ne peut être commandé par l'interrupteur est dangereux.
- **Débranchez la fiche de la prise de courant avant d'effectuer tout réglage ou de changer les accessoires.** Ces mesures préventives réduisent le risque d'une mise en marche accidentelle.
- **Gardez les outils de coupe affilés et propres.** Des outils bien entretenus, avec tranchants affilés, sont moins susceptibles de gripper et plus faciles à contrôler. Lorsque vous montez des lames de scie, assurez-vous que la flèche de la lame correspond au sens de la flèche marquée sur l'outil et que les dents pointent également dans le même sens.
- **Inspectez les protecteurs avant d'utiliser un outil. Gardez les protecteurs en place. Vérifiez si les pièces mobiles grippent ou tout autre état pouvant influer sur le fonctionnement normal ou les fonctions de sécurité de l'outil. Si l'outil est abîmé, faites-le réparer avant de l'utiliser.** Beaucoup d'accidents sont causés par des outils mal entretenus.
- **Ne modifiez pas l'outil et n'en faites pas un usage inapproprié.** Toute altération ou modification constitue un usage inapproprié et peut causer des blessures graves.
- **L'utilisation de tout autre accessoire non précisé dans ce manuel peut créer un danger.** Les accessoires qui peuvent être adéquats pour un type d'outil peuvent devenir dangereux lorsqu'ils sont utilisés sur un outil inapproprié.

Réparation

- **L'outil ne doit être réparé que par des techniciens de réparation qualifiés.** Les réparations ou l'entretien effectués par des personnes non qualifiées peuvent résulter en un positionnement erroné de composants et de fils internes, ce qui peut provoquer des dangers sérieux.
- **N'utilisez que des pièces de rechange identiques pour réparer un outil. Suivez les consignes contenues dans la section Entretien de ce manuel.** L'utilisation de pièces non autorisées ou le non-respect des consignes d'entretien peut être dangereux.

Consignes de sécurité pour les scies à onglet

- **Utilisez des pinces pour supporter l'ouvrage chaque fois que possible. Si vous supportez l'ouvrage à la main, vous devez toujours garder la main à l'extérieur de la zone interdite aux mains, identifiée par un symbole sur la base. Pour réduire le risque de blessure, utilisez toujours la bride de fixation pour assujettir l'ouvrage lorsque vous effectuez une coupe d'onglet composée. N'utilisez pas cette scie pour couper des pièces qui sont trop petites pour être bien assujetties.** Si elle est placée à l'intérieur de la zone interdite aux mains, votre main peut glisser facilement ou être tirée dans la lame.
- **N'insérez pas la main à l'arrière de la lame de scie, derrière le guide, pour tenir ou supporter l'ouvrage, enlever des débris de bois ou toute autre raison.** La proximité de la lame de scie en rotation à votre main peut ne pas être évidente, et vous pourriez être grièvement blessé.
- **Ne passez jamais la main à travers la ligne de coupe prévue.** Il est très dangereux de supporter l'ouvrage à main croisée, à savoir, en tenant le côté gauche de l'ouvrage avec votre main droite.
- **Débranchez toujours le cordon de la prise de courant avant d'effectuer quelque réglage que ce soit ou de poser des accessoires.** Vous pouvez mettre la scie en marche par mégarde, et être blessé grièvement.
- **Les scies à onglet sont destinées principalement à couper le bois ou des produits similaires ; on ne peut les utiliser avec des meules à tronçonner pour couper des matériaux ferreux tels que barres, tiges, poteaux, etc. Cependant, pour couper des matériaux tels que l'aluminium ou autres métaux non ferreux, utilisez uniquement des lames de scie recommandées spécifiquement pour la coupe de métaux non ferreux.** La coupe de matériaux ferreux forme une quantité excessive d'étincelles et abîmera le protecteur inférieur en plus de créer une surcharge sur le moteur.
- **Inspectez votre ouvrage avant de couper. Si l'ouvrage est cintré ou gondolé, pincez-le avec la face cintrée extérieure dirigée vers le guide. Assurez-vous toujours qu'il n'y a pas d'écartement entre l'ouvrage, le guide et la table le long de la ligne de coupe.** Les ouvrages pliés ou gondolés peuvent se tordre ou culbuter, et peuvent faire gripper la lame de scie en rotation durant la coupe. Assurez-vous également de l'absence de clous ou de corps étrangers dans l'ouvrage.
- **N'utilisez pas la scie tant que la table n'est pas libérée de tous outils, débris de bois, etc, sauf l'ouvrage.** Les petits débris ou pièces détachées de bois ou autres objets venant en contact avec la lame en rotation peuvent être projetés à haute vitesse en direction de l'opérateur.

« CONSERVEZ CES INSTRUCTIONS »

Sécurité



AVERTISSEMENT

« LISEZ TOUTES LES INSTRUCTIONS » — L'utilisateur qui négligerait de suivre les CONSIGNES DE SÉCURITÉ précédées d'un point noir (•) ci-dessous et de prendre d'autres précautions élémentaires risquerait de subir de graves blessures.

- **N'introduisez pas l'ouvrage dans la lame et ne coupez d'aucune manière à « main libre ».** L'ouvrage doit être fixe et cramponné ou serré par votre main. La scie doit être insérée à travers l'ouvrage doucement et à une vitesse qui ne surchargera pas le moteur de la scie.
- **Coupez un seul ouvrage à la fois.** Les ouvrages multiples ne peuvent être cramponnés ou serrés adéquatement, et ils peuvent gripper sur la lame ou se déplacer durant la coupe.
- **Assurez-vous que la scie à onglet est montée ou placée sur une surface de travail ferme et à niveau avant de l'utiliser.** Une surface de travail ferme et à niveau réduit le risque d'instabilité de la scie à onglet.
- **Planifiez votre travail. Obtenez des accessoires de support adéquats tels que tables, chevalets de scieur, rallonge de table, etc. pour les ouvrages plus larges ou plus longs que le dessus de la table (voir page 46).** Les ouvrages plus longs ou plus larges que la table de la scie à onglet peuvent basculer s'ils ne sont pas supportés adéquatement. Si la pièce tronçonnée ou l'ouvrage bascule, il peut lever le protecteur inférieur ou être projeté par la lame en rotation.
- **N'utilisez pas une autre personne en remplacement d'une rallonge de table ou comme support supplémentaire.** Un support instable de l'ouvrage peut faire gripper la lame ou déplacer l'ouvrage durant la coupe, tirant ainsi votre assistant et vous-même dans la lame en rotation.
- **La pièce tronçonnée ne doit pas être bloquée contre la lame de scie en rotation ni être pressée par aucun autre moyen contre celle-ci.** Si elle est captive, en utilisant des butées de longueur, par exemple, elle pourrait être coincée contre la lame et être projetée violemment.
- **Utilisez toujours un serre-joints ou un dispositif conçu de manière à supporter adéquatement les matériaux ronds tels que les goujons ou les tubes.** Les goujons ont tendance à rouler pendant qu'on les coupe, ce qui amène la lame à « mordre » et tire l'ouvrage et votre main dans la lame.
- **En coupant des ouvrages de forme irrégulière, planifiez votre travail de manière à ce que l'ouvrage ne glisse pas et ne vienne pas pincer la lame, pour être ensuite tiré de votre main.** Une pièce de moulure doit ainsi être posée à plat et être tenue par un dispositif ou une monture qui l'empêchera de tordre, basculer ou glisser pendant la coupe.
- **Laissez la lame atteindre une vitesse maximum avant de la mettre en contact avec l'ouvrage.** Ceci aidera à éviter la projection d'ouvrages.
- **Avant de commencer à scier, vérifiez toujours qu'il n'y a pas d'interférence entre les parties mobiles et les parties fixes de la scie.** N'utilisez pas la scie dans la plage suivante de combinaisons d'onglets et de biseaux : angles d'onglet à gauche de plus de 45° et angles de biseau de plus de 35°. Ces combinaisons d'onglets et de biseaux pourraient causer des interférences entre le dispositif de protection inférieur et la bride de fixation de l'ouvrage.
- **N'utilisez pas de lame de scie fonctionnant nominalement à moins de 5 000 tr/mn.**
- **N'utilisez pas de lame plus grande ou plus petite que 10 po de diamètre avec une tige de 5/8 po.**
- **Si l'ouvrage ou la lame se bloque ou se coince, mettez la scie à onglet à l'arrêt en relâchant l'interrupteur. Attendez que toutes les pièces mobiles s'arrêtent et débranchez la scie à onglet avant de libérer les matériaux coincés.** Le fait de continuer à scier avec l'ouvrage coincé pourrait entraîner une perte de contrôle ou des dommages à la scie à onglet composée.
- **La tête de scie est secouée vers le bas sous l'effet de l'action de freinage de la scie. Soyez prêt à cette réaction** en pratiquant une coupe incomplète ou en relâchant l'interrupteur avant que la tête ne soit complètement descendue.
- **Après avoir terminé la coupe, relâchez l'interrupteur, tenez le bras de la scie en bas et attendez que la lame s'arrête avant de retirer l'ouvrage ou la pièce tronçonnée. Si la lame ne s'arrête pas dans un délai de sept (7) secondes, débranchez la scie et suivez les consignes apparaissant dans la section Dépannage. IL EST DANGEREUX D'INSÉRER LA MAIN SOUS UNE LAME EN TRAIN DE S'IMMOBILISER.**



AVERTISSEMENT

Les travaux à la machine tel que ponçage, sciage, meulage, perçage et autres travaux du bâtiment peuvent créer des poussières contenant des produits chimiques qui sont des causes reconnues de cancer, de malformation congénitale ou d'autres problèmes reproductifs. Ces produits chimiques sont, par exemple :

- Le plomb provenant des peintures à base de plomb,
- Les cristaux de silices provenant des briques et du ciment et d'autres produits de maçonnerie, et
- L'arsenic et le chrome provenant des bois traités chimiquement

Le niveau de risque dû à cette exposition varie avec la fréquence de ces types de travaux. Pour réduire l'exposition à ces produits chimiques, il faut travailler dans un lieu bien ventilé et porter un équipement de sécurité approprié tel que certains masques à poussière conçus spécialement pour filtrer les particules microscopiques.

- **Il existe des consignes de sécurité supplémentaires pour les opérations particulières de la scie dans la section relative au fonctionnement. Lisez le reste du manuel pour une utilisation sûre de la scie.**

« CONSERVEZ CES INSTRUCTIONS »

Sécurité



AVERTISSEMENT

« LISEZ TOUTES LES INSTRUCTIONS » — L'utilisateur qui négligerait de suivre les CONSIGNES DE SÉCURITÉ précédées d'un point noir (!) ci-dessous et de prendre d'autres précautions élémentaires risquerait de subir de graves blessures.

- **Ne laissez pas la familiarité tirée d'une utilisation fréquente de votre scie à onglet atténuer votre vigilance.** N'oubliez jamais qu'une fraction de seconde d'insouciance suffit à causer des blessures graves.
- PENSEZ EN TERMES DE SÉCURITÉ. LA SÉCURITÉ EST UNE COMBINAISON DE BON SENS, DE CONNAISSANCE DES CONSIGNES DE SÉCURITÉ ET DE FONCTIONNEMENT, ET DE VIGILANCE CONSTANTE DE LA PART DE L'OPÉRATEUR LORS DE L'UTILISATION DE LA SCIE À ONGLET.



LES AVERTISSEMENTS CI-APRÈS SE TROUVENT SUR VOTRE OUTIL. CES AVERTISSEMENTS NE SONT QU'UNE FORME CONDENSÉE DES RÈGLES ET PRÉCAUTIONS DE SÉCURITÉ PLUS DÉTAILLÉES QUI APPARAISSENT DANS VOTRE MANUEL. ELLES SERVENT À VOUS RAPPELER TOUTES LES RÈGLES DE SÉCURITÉ NÉCESSAIRES À UNE UTILISATION SÛRE DE CETTE SCIE À ONGLET.



ZONE DÉSIGNÉE DE DANGER. ÉVITER DE PLACER LES MAINS, LES DOIGTS OU LES BRAS DANS LA ZONE DÉSIGNÉE PAR CE SYMBOLE.

AVERTISSEMENT Pour réduire le risque de blessure, lire et comprendre le mode d'emploi. ▲ Utiliser une protection oculaire, auditive et respiratoire. ▲ Utiliser une lame homologuée pour 5000 coups/min ou plus. ▲ Ne pas utiliser la scie sans système de protection en état de marche. Si le dispositif de protection ne fonctionne pas correctement, le faire réparer. Après un changement de lame, remettre le dispositif de protection en position de fonctionnement. ▲ Garder les mains à une distance sûre de la lame de scie. Toujours rester hors de la zone des mains. ▲ Débrancher la scie avant de l'entretenir ou de changer la lame. ▲ Maintenir pas le bras de l'autre côté ou à l'arrière de la lame de scie. ▲ Maintenir ou fixer la pièce à travailler contre une base ou un guide. Ne jamais effectuer d'opération à main libre. ▲ Ne pas couper en face de la main. Ne jamais placer la main ou le bras dans le trajet prévu de la lame. Le moteur à l'ARRÊT, simuler un trajet sans couper pour vérifier la portée de la lame. ▲ Après l'ARRÊT de la scie, garder la scie en position basse et attendre que la lame s'arrête avant de retirer les pièces découpées ou de changer de réglage. ▲ Éviter un décharge électrique, ne pas exposer à la pluie ni utiliser dans des endroits humides. ▲ En cas de réparation, n'utiliser que des pièces de rechange identiques. ▲ Utilisez toujours un support auxiliaire pour soutenir les ouvrages très longs. ▲ Utilisez toujours la bride de fixation pour assujettir l'ouvrage lorsque vous effectuez une coupe d'onglet composée. Ne le soutenez pas à la main.

WARNING To reduce the risk of injury, always use the clamp to support the workpiece when making a compound miter cut. Do not support by hand.

ADVERTENCIA Para reducir el riesgo de lesiones, utilice siempre la abrazadera para soportar la pieza de trabajo cuando haga un corte de inglete compuesto. No soporte la pieza de trabajo con la mano.

AVERTISSEMENT Pour réduire le risque de blessure, utilisez toujours la bride de fixation pour assujettir l'ouvrage lorsque vous effectuez une coupe d'onglet composée. Ne le soutenez pas à la main.

WARNING To reduce risk of injury, user must read and understand the instruction manual. ▲ Wear eye, hearing and respiratory protection. ▲ Use saw blade rated 5000/min or greater. ▲ Do not use saw without functioning guard system. The guard doesn't operate smoothly, have it serviced. After changing blade return guard to operating position. ▲ Keep hands a safe distance from saw blade. Always keep outside of No-Hands zone. ▲ Disconnect saw from power source before servicing or changing blade. ▲ Never reach around or in the back of the saw blade ▲ Hold or clamp workpiece against base and fence. Never perform any operation freehand. ▲ Do not Cross-Hand cut. Never place your hands or arms across the projected saw blade path. With motor OFF, make a Dry-Run to be aware of the blade's reach. ▲ After turning saw OFF, keep saw in the down position and wait for blade to stop before removing cutoff pieces or changing settings. ▲ To avoid electrical shock, do not expose to rain or use in damp locations. ▲ When servicing use only identical replacement parts. ▲ Always use auxiliary stand to support long workpieces. ▲ Always use the clamp to support the workpiece when making a compound miter cut. Do not support by hand.

SKILSAW 3317

010(254mm) COMPOUND MITER SAW
120V - 60Hz 15A, up to 5000/min (RPM)
E12531700
Robert Bosch Tool Corp.
Mount Prospect, IL, Made in China
CULUS
1000000000
E125284

ADVERTENCIA Para reducir el riesgo de lesiones, el usuario debe leer y entender el manual de instrucciones. ▲ Use protección de los ojos, de la audición y protección respiratoria. ▲ Use una hoja de sierra con capacidad nominal de 5000/min o mayor. ▲ No use la sierra si el sistema del protector no funciona correctamente. Si el protector no funciona con suavidad, haga que le den servicio de ajustes y reparaciones. Después de cambiar la hoja, regrese el protector a la posición de funcionamiento. ▲ Mantenga las manos a una distancia segura de la hoja de sierra. Manténgalas siempre fuera de la zona de "manos no". ▲ Desconecte la sierra de la fuente de energía antes de realizar servicio de ajustes y reparaciones o de cambiar la hoja. ▲ No punte nunca las manos alrededor de la hoja de sierra ni detrás de ella. ▲ Fije o sujete con abrazaderas la pieza de trabajo contra la base y el top-guía. No realice nunca operaciones a pulso.

ADVERTENCIA Para evitar las descargas eléctricas, no utilice en lugares húmedos. ▲ No corte transversalmente a las manos. Nunca ponga las manos o los brazos en la trayectoria proyectada de la hoja de sierra. Con el motor en la posición de operación, haga una pasada de prueba para comprobar el alcance de la hoja. ▲ Después de apagar la sierra, manténgala en la posición hacia abajo y espere a que la hoja se detenga antes de retirar las piezas cortadas o cambiar los ajustes. ▲ Cuando haga servicio de ajustes y reparaciones de la herramienta, utilice únicamente piezas de repuesto idénticas. ▲ Utilice siempre la base de soporte auxiliar para soportar las piezas de trabajo largas. ▲ Utilice siempre la abrazadera para soportar la pieza de trabajo cuando haga un corte de inglete compuesto. No soporte la pieza de trabajo con la mano.

DANGER	PELIGRO
LASER RADIATION - AVOID DIRECT EYE EXPOSURE	RADIACIÓN LÁSER: EVITE LA EXPOSICIÓN DIRECTA DE LOS OJOS
WAVELENGTH: 650 nm Max. Output: < 5 mW	DANGER RAYONNEMENT LASER - ÉVITER D'Y EXPOSER DIRECTEMENT LES YEUX
CLASS IIIa LASER PRODUCT	COMPLIES WITH FDA 21CFR1040.10 AND 1040.11

• AVOID EXPOSURE - LASER RADIATION IS EMITTED FROM THIS APERTURE.

• EVITE LA EXPOSICIÓN. DESDE ESTA ABERTURA SE EMITE RADIACIÓN LÁSER.



• ÉVITER L'EXPOSITION - RAYONNEMENT LASER ÉMIS PAR CETTE OUVERTURE.


« CONSERVEZ CES INSTRUCTIONS »

Sécurité

AVERTISSEMENT « LISEZ TOUTES LES INSTRUCTIONS » — L'utilisateur qui négligerait de suivre les CONSIGNES DE SÉCURITÉ précédées d'un point noir (•) ci-dessous et de prendre d'autres précautions élémentaires risquerait de subir de graves blessures.

Branchement à une source d'alimentation

Double isolation

La double isolation  est utilisée dans les outils électriques pour éliminer le besoin de cordon d'alimentation avec prise de terre et de dispositif d'alimentation à prise de terre. Elle est homologuée par l'Underwriter's Laboratories, l'ACNOR et l'OSHA.

AVERTISSEMENT L'entretien d'un outil à double isolation exige la connaissance du système et la compétence d'un technicien qualifié.

AVERTISSEMENT EN CAS D'ENTRETIEN, N'UTILISEZ QUE DES PIÈCES DE RECHANGE IDENTIQUES.

AVERTISSEMENT FICHES POLARISÉES. Pour réduire le risque de chocs électriques, votre outil est équipé d'une fiche polarisée (une lame plus large que l'autre) elle ne s'enfiche qu'une manière dans une prise polarisée. Si la fiche n'entre pas à fond dans la prise, tournez-la d'un demi-tour. Si elle refuse encore d'entrer, demandez à un électricien qualifié d'installer une prise appropriée. Pour réduire le risque de chocs électriques, ne modifiez la fiche d'aucune façon.

Rallonges

AVERTISSEMENT Remplacez immédiatement toute rallonge endommagée. L'utilisation de rallonges endommagées risque de provoquer un choc électrique, des brûlures ou l'électrocution.

AVERTISSEMENT En cas de besoin d'une rallonge, utilisez un cordon de calibre satisfaisant pour éviter toute chute de tension, perte de courant ou surchauffe. Le tableau ci-contre indique le calibre des rallonges recommandées en fonction de leur longueur et de l'intensité indiquée sur la plaque du constructeur de l'outil. En cas de doute, optez pour le prochain calibre inférieur. Utilisez toujours des rallonges homologuées par l'U.L. et l'ACNOR.

**DIMENSIONS DE RALLONGES RECOMMANDÉES
OUTILS 120 VOLTS COURANT ALTERNATIF**

Intensité nominale de l'outil	Longueur en pieds				Longueur en mètres			
	Calibre A.W.G.				Calibre en mm ²			
	25	50	100	150	15	30	60	120
3-6	18	16	16	14	.75	.75	1.5	2.5
6-8	18	16	14	12	.75	1.0	2.5	4.0
8-10	18	16	14	12	.75	1.0	2.5	4.0
10-12	16	16	14	12	1.0	2.5	4.0	—
12-16	14	12	—	—	—	—	—	—

REMARQUE : Plus le calibre est petit, plus le fil est gros.

« CONSERVEZ CES INSTRUCTIONS »

Capacités de coupe maximale

Angle d'onglet / Angle de biseau	bois de construction de dimensions courantes	dimensions réelles					
		pouces		centimètres			
		hauteur	largeur	hauteur	largeur		
0 / 0	Hauteur maximum	4 x 4		3-1/2	3-1/2	8.9	8.9
0 / 0	Largeur maximum	2 x 6		1-1/2	5-1/2	3.8	14.0
45 / 0		2 x 4		1-1/2	3-1/2	3.8	8.9
0 / 45		2 x 6		1-1/2	5-1/2	3.8	14.0
45 / 45		2 x 4		1-1/2	3-1/2	3.8	8.9

Table des matières

	Page		Page
Sécurité	10-14	Réglage de la base par rapport à la lame	42
Consignes générales de sécurité pour les outils d'établi.....	10-11	Butée de biseau	42
Consignes de sécurité pour les scies à onglet	11-14	Opérations de base de la scie	44-48
Table des matières	15	Positions du corps et des mains.....	44
Spécifications électriques	15	Support de l'ouvrage.....	46
Avertissements relatifs au rayonnement laser	16	Support de l'ouvrage.....	48
Connaissance élémentaire de votre scie à onglet	17	Kit de support pour le travail.....	48
Déballage et inspection du contenu	27	Activation de l'interrupteur.....	50
Assemblage	25-34	Système d'alignement laser	50
Outils nécessaires à l'assemblage et à l'alignement	27	Cheville de blocage de tête.....	50
Installation du bouton de verrouillage d'onglet.....	30	Opérations de la scie	52-62
Rangement de la clé à lame de scie	30	Coupe d'onglet	52
Installation du sac à poussière.....	32	Coupe en biseau.....	54
Installation de la bride de fixation de l'étau	32	Coupes composées.....	56
Retrait et installation de la lame	34	Moulure de base.....	58
Utilisation de lames à pointes au carbure	34	Coupe de moulures en couronnes.....	58, 61
Installation	36-38	Coupes spéciales.....	64
Applications de montage	36-38	Entretien et lubrification	66, 67
Réglages	40-42	Diagnostic de dépannage	69
Réglage de la lame par rapport au guide	40	Garantie limitée	Troisième de couverture

Spécifications électriques

1. Branchez cette scie sur un circuit de dérivation de 120 V, 15 A avec disjoncteur ou fusible à action différée de 15 A. L'utilisation du mauvais type de fusible peut abîmer le moteur.
2. Les fusibles peuvent sauter ou les disjoncteurs peuvent se déclencher souvent si le moteur est surchargé. Il peut y avoir surcharge si vous introduisez la lame dans l'ouvrage trop rapidement ou si vous mettez en marche et à l'arrêt trop souvent dans un période brève.
3. La plupart des troubles de moteur sont attribuables à des connexions lâches ou incorrectes, à une surcharge, à une basse tension (telle que fil de petit calibre dans le circuit d'alimentation ou fil trop long de circuit d'alimentation). Vérifiez toujours les connexions, la charge et le circuit d'alimentation chaque fois que le moteur ne fonctionne pas bien.

Frein électrique

Votre scie est équipée d'un frein électrique automatique qui est conçu de manière à empêcher la lame de tourner environ sept (7) secondes après que vous ayez relâché la gâchette de commande. Cette particularité est utile pour pratiquer certaines coupes dans le bois alors qu'une lame qui se déplace par inertie entraînerait une coupe large et imprécise.

⚠ AVERTISSEMENT Lorsqu'il y a panne de courant en raison d'un fusible grillé ou d'autres causes, le moteur ralentit progressivement et l'action de freinage est amorcée **UNIQUEMENT** par le relâchement de la gâchette de commande.

Le frein électrique de lame de votre scie a été conçu en vue du plus haut niveau de fiabilité, mais il se peut que le frein ne soit pas actionné sous l'effet de circonstances imprévues telles que la contamination sur le commutateur et les balais ou la défaillance des composants du moteur. Dans ce cas, mettez la scie en marche et à l'arrêt quatre ou cinq fois en évitant tout contact entre la scie et le matériau. Si l'outil fonctionne mais le frein n'arrête pas uniformément la lame en environ sept (7) secondes, N'utilisez PAS la scie et faites-la réparer immédiatement.

⚠ AVERTISSEMENT L'action de freinage de cette scie n'est pas destinée à servir de mesure de sécurité. N'oubliez pas de laisser la lame de scie s'arrêter complètement avant de la retirer du matériau. Comme toujours, le système de protecteurs constitue la meilleure façon d'éviter le contact accidentel avec une lame de scie qui tourne. Vous ne devez JAMAIS ouvrir en forçant ni empêcher l'action de fermeture du protecteur inférieur.

Avertissements relatifs au rayonnement laser

⚠ DANGER RAYON LASER. ÉVITEZ UNE EXPOSITION DIRECTE DES YEUX. NE regardez PAS directement la source de lumière laser. Ne dirigez jamais la lumière vers autrui ou vers un objet autre que la pièce. La lumière laser risque d'abîmer les yeux.

⚠ AVERTISSEMENT N'utilisez PAS de lunettes teintées pour renforcer la lumière laser. Les verres teintés réduisent la visibilité générale et gênent l'utilisation normale de l'outil.

⚠ AVERTISSEMENT Ne dirigez jamais le faisceau vers une pièce dont la surface est réfléchissante. La tôle d'acier brillante réfléchissante ou les surfaces réfléchissantes similaires ne sont pas recommandées pour utilisation d'un laser. Les surfaces réfléchissantes risquent de rediriger le faisceau vers l'utilisateur.

⚠ MISE EN GARDE L'utilisation de commandes ou la réalisation de réglages ou de procédures autres que celles spécifiées dans les présentes pourrait résulter en une exposition dangereuse aux rayonnements.

⚠ MISE EN GARDE L'utilisation d'instruments optiques avec ce produit augmentera les risques de problèmes oculaires.

Le laser de guidage est un laser de classe IIIA avec une puissance à la sortie maximale de 5 milliwatts. Il est conforme aux normes 21 CFR 1040.10 et 1040.11.

DANGER	PELIGRO
 <p>LASER RADIATION - AVOID DIRECT EYE EXPOSURE</p> <p>WAVELENGTH: 650 nm Max. Output: < 5 mW</p>	<p>RADIACIÓN LÁSER: EVITE LA EXPOSICIÓN DIRECTA DE LOS OJOS</p>
DANGER	DANGER
<p>CLASS IIIa LASER PRODUCT</p>	<p>RAYONNEMENT LASER - ÉVITER D'Y EXPOSER DIRECTEMENT LES YEUX</p> <p>COMPLIES WITH FDA 21CFR1040.10 AND 1040.11</p>

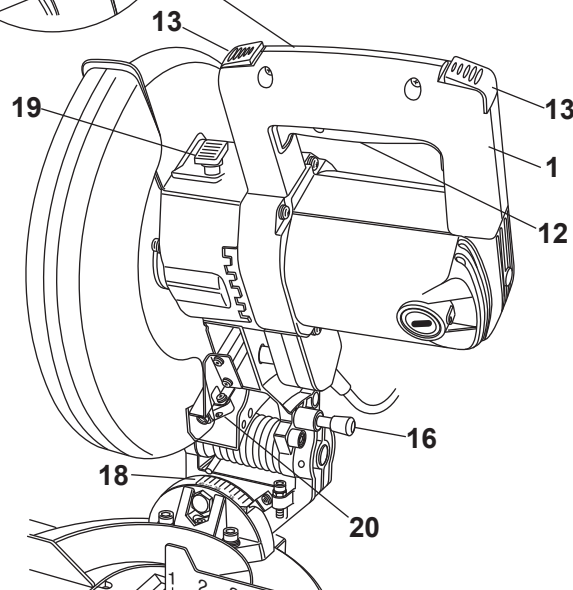
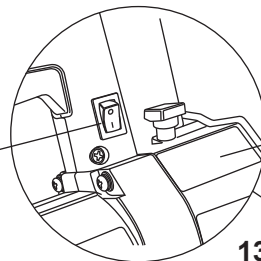
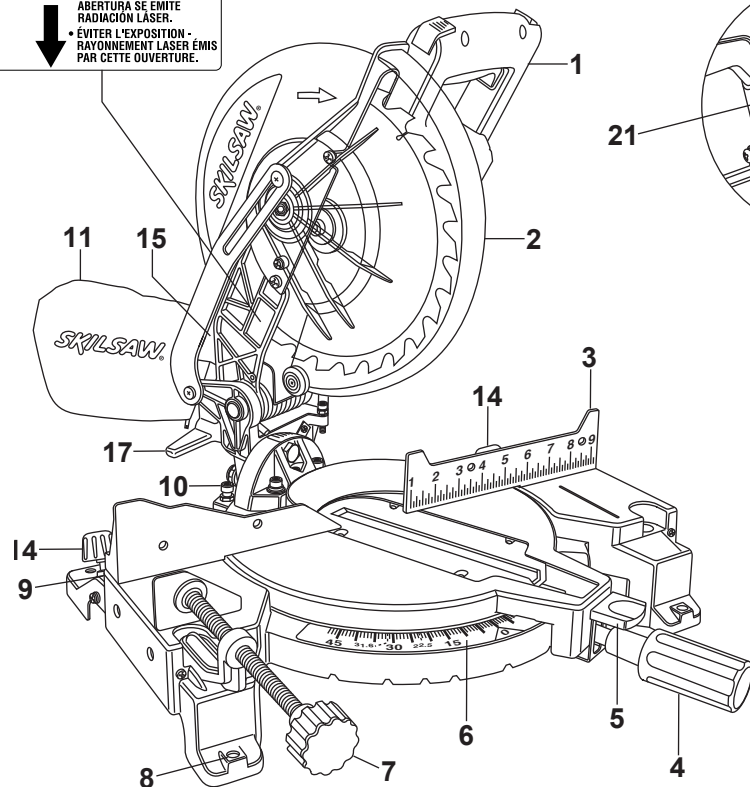
- AVOID EXPOSURE - LASER RADIATION IS EMITTED FROM THIS APERTURE.
- EVITE LA EXPOSICIÓN. DESDE ESTA ABERTURA SE EMITE RADIACIÓN LÁSER.

↓

- ÉVITER L'EXPOSITION - RAYONNEMENT LASER ÉMIS PAR CETTE OUVERTURE.

Familiarisez-vous avec votre scie à onglet

- AVOID EXPOSURE - LASER RADIATION IS EMITTED FROM THIS APERTURE.
- EVITE LA EXPOSICIÓN. DESDE ESTA ABERTURA SE EMITE RADIACIÓN LASER.
- ÉVITER L'EXPOSITION - RAYONNEMENT LASER ÉMIS PAR CETTE OUVERTURE.



⚠ AVERTISSEMENT Pour éviter les blessures résultant d'une mise en marche accidentelle, débranchez la fiche de la prise de courant avant d'effectuer quelque réglage que ce soit.

- 1. Poignée à interrupteur** — Cette poignée contient l'interrupteur. La lame est abaissée dans l'ouvrage lorsque vous appuyez sur la poignée ou la tirez vers le bas.
- 2. Dispositif de protection inférieur de la lame/Lèvre du dispositif de protection inférieur** — Le dispositif de protection inférieur de la lame contribue à protéger vos mains contre tout risque de contact avec la lame pendant qu'elle tourne. Il se rétracte lorsque la lame est abaissée. La lèvre peut être utilisée pour élever le dispositif de protection inférieur lorsque le dispositif de protection se coince contre un ouvrage.
- 3. Guide** — Supporte l'ouvrage. Le guide comporte une échelle incorporée pour permettre de faire facilement des coupes répétées.
- 4. Bouton de verrouillage d'onglet** — Le bouton de verrouillage d'onglet verrouille la table de la scie à onglet à n'importe quel angle de coupe d'onglet désiré.
- 5. Gâchette de détente de l'onglet** — La gâchette libère la table de la détente.
- 6. Échelle d'onglet** — Cette échelle vous permet de lire facilement les angles d'onglets.
- 7. Bride de fixation de l'étau** — Permet de fixer rapidement l'ouvrage en place.
- 8. Aires de montage de l'outil** — Quatre endroits pour boulonner ou clouer la scie, ou la fixer à l'aide d'une bride, sur une surface de travail plate.
- 9. Clé hexagonale** — Sert à serrer ou à desserrer la lame.
- 10. Vis de butée de biseau** — Sert à ajuster l'équerre contre la base à des angles de biseau de 90 et 45 degrés.
- 11. Sac de collecte de la poussière** — S'attache à l'orifice de dépoussiérage et collecte la poussière pour aider à assurer la propreté de la zone de travail.
- 12. Interrupteur à gâchette** — L'interrupteur utilisé avec le commutateur ambidextre met l'outil sous tension.
- 13. Interrupteur de déverrouillage** — Le commutateur ambidextre pour main droite ou gauche doit être enfoncé pour activer l'interrupteur.
- 14. Boutons de serrage rapide des brides de fixation** — Pour permettre un montage rapide et facile sur le support de scie à onglet Skil.
- 15. Orifice de dépoussiérage** — L'orifice de dépoussiérage est compatible avec le sac à poussière ou avec un raccord pour tuyau d'aspirateur de 1 1/4 po.
- 16. Cheville de blocage de tête** — La scie à onglet composé est munie d'une broche de verrouillage servant à bloquer la tête en position abaissée.
- 17. Bouton de verrouillage de biseau** — La poignée de verrouillage de biseau verrouille la tête à l'angle de biseau désiré.
- 18. Échelle de biseau** — L'échelle vous permet de lire facilement les angles de biseau.
- 19. Blocage de l'arbre** — Permet à l'utilisateur d'empêcher la lame de tourner lors du serrage ou du desserrage de la vis de l'arbre pendant les changements de lame ou lorsqu'on démonte celle-ci.
- 20. Système d'alignement du laser**
Votre scie à onglet est équipée d'un système d'alignement du laser qui aide à identifier l'endroit où la lame entrera en contact avec l'ouvrage.
- 21. Interrupteur Marche/Arrêt du laser**
Active et désactive le système d'alignement laser.

POUR LA SUITE EN FRANÇAIS, VOIR PAGE 27

Seguridad



ADVERTENCIA “LEA TODAS LAS INSTRUCCIONES”. El incumplimiento de las NORMAS DE SEGURIDAD identificadas por el símbolo del PUNTO NEGRO (•) que se indican A CONTINUACION y otras precauciones de seguridad puede dar lugar a lesiones personales graves.

Normas generales de seguridad para herramientas para tablero de banco

Area de trabajo

- **Mantenga limpia y bien iluminada el área de trabajo.** Los bancos desordenados y las áreas oscuras invitan a que se produzcan accidentes.
- **No utilice herramientas mecánicas en atmósferas explosivas, tales como las existentes en presencia de líquidos, gases o polvos inflamables.** Las herramientas mecánicas generan chispas y éstas pueden dar lugar a la ignición del polvo o los vapores.
- **Mantenga alejadas a las personas que se encuentren presentes, a los niños y a los visitantes mientras esté utilizando una herramienta mecánica.** Las distracciones pueden hacerle perder el control.
- **Guarde las herramientas que no esté usando fuera del alcance de los niños y otras personas no capacitadas.** Las herramientas son peligrosas en las manos de los usuarios no capacitados.
- **No deje desatendida la herramienta en marcha. Apáguela.** No deje la herramienta hasta que se haya detenido por completo.
- **HAGA EL TALLER A PRUEBA DE NIÑOS** con candados, interruptores maestros o quitando las llaves de arranque.

Seguridad eléctrica

- **Antes de enchufar la herramienta, asegúrese de que la tensión del tomacorriente es compatible con la tensión especificada en la placa del fabricante dentro de un margen del 10%.** Una tensión del tomacorriente incompatible con la que se especifica en la placa del fabricante puede dar como resultado peligros graves y daños a la herramienta.
- **Las herramientas con aislamiento doble están equipadas con un enchufe polarizado (un terminal es más ancho que el otro). Este enchufe entrará en un tomacorriente polarizado solamente de una manera. Si el enchufe no entra por completo en el tomacorriente, déle la vuelta. Si sigue sin entrar, póngase en contacto con un electricista competente para instalar un tomacorriente polarizado. No haga ningún tipo de cambio en el enchufe.** El aislamiento doble elimina la necesidad de un cordón de energía de tres cables conectado a tierra y de una fuente de energía conectada a tierra.
- **Evite el contacto del cuerpo con las superficies conectadas a tierra, tales como tuberías, radiadores, estufas de cocina y refrigeradores.** Hay mayor riesgo de que se produzcan sacudidas eléctricas si su cuerpo está conectado a tierra.
- **No esponga las herramientas mecánicas a la lluvia ni a situaciones húmedas.** La entrada de agua en una herramienta mecánica aumentará el riesgo de que se produzcan sacudidas eléctricas.

- **No abuse del cordón. Nunca use el cordón para llevar las herramientas ni tire de él para desconectarlo del tomacorriente.** Mantenga el cordón alejado del calor, el aceite, los bordes afilados o las piezas móviles. **Cambie los cordones dañados inmediatamente.** Los cordones dañados aumentan el riesgo de que se produzcan sacudidas eléctricas.
- **Cuando utilice una herramienta mecánica a la intemperie, use un cordón de extensión para intemperie marcado “W-A” o “W”.** Estos cordones tienen capacidad nominal para uso a la intemperie y reducen el riesgo de que se produzcan sacudidas eléctricas.

Seguridad personal

- **Manténgase alerta, fíjese en lo que está haciendo y use el sentido común al utilizar una herramienta mecánica.** Un momento de descuido o el consumo de drogas, alcohol o medicamentos mientras se utilizan herramientas mecánicas puede ser peligroso.
- **Vístase adecuadamente. No se ponga ropa holgada ni joyas. Sujétese el pelo largo. Mantenga el pelo, la ropa y los guantes alejados de las piezas móviles. La ropa holgada, las joyas o el pelo largo pueden quedar atrapados en las piezas móviles.** Súbase las mangas largas por encima de los codos. Se recomiendan guantes de caucho y calzado antideslizante cuando se trabaja a la intemperie.
- **Evite el arranque accidental. Asegúrese de que el interruptor esté en la posición “OFF” (apagado) antes de enchufar la herramienta.** El llevar las herramientas con el dedo en el interruptor o el enchufar las herramientas que tienen el interruptor en la posición “ON” (encendido) invita a que se produzcan accidentes.
- **Quite las llaves de ajuste o las llaves de tuerca antes de encender la herramienta.** Una llave de tuerca o de ajuste que se deje puesta en una pieza giratoria de la herramienta saldrá despedida.
- **No intente alcanzar demasiado lejos. Mantenga un apoyo de los pies y un equilibrio adecuados en todo momento. El apoyo de los pies y el equilibrio adecuados permiten un mejor control de la herramienta en situaciones inesperadas.**
- **No se suba en la herramienta ni en su base.** Se pueden producir lesiones graves si la herramienta vuelca o si se hace contacto con la herramienta de corte accidentalmente. No guarde materiales sobre ni cerca de la herramienta de tal modo que sea necesario subirse a la herramienta o a su base para alcanzarlos.
- **Utilice equipo de seguridad. Use siempre gafas de seguridad.** Se debe utilizar una máscara antipolvo, calzado de seguridad, casco o protección en los oídos según lo requieran las condiciones. Los lentes de uso diario sólo tienen lentes resistentes a los golpes. NO son gafas de seguridad.

“CONSERVE ESTAS INSTRUCCIONES”

Seguridad



ADVERTENCIA “LEA TODAS LAS INSTRUCCIONES”. El incumplimiento de las NORMAS DE SEGURIDAD identificadas por el símbolo del PUNTO NEGRO (•) que se indican A CONTINUACION y otras precauciones de seguridad puede dar lugar a lesiones personales graves.

Utilización y cuidado de las herramientas

- **Utilice abrazaderas u otro modo práctico de fijar y soportar la pieza de trabajo en una plataforma estable.** La sujeción de la pieza de trabajo con la mano o contra el cuerpo resulta inestable. Permite que la pieza de trabajo se desplace y cause atasco de la herramienta y pérdida de control.
- **No fuerce la herramienta. Use la herramienta correcta para la aplicación que desea.** La herramienta correcta hará el trabajo mejor y con más seguridad a la capacidad nominal para la que está diseñada. No utilice la herramienta para propósitos para los que no está diseñada. Por ejemplo, no use la sierra para cortar ingletes para trocear metales.
- **No utilice la herramienta si el interruptor no la enciende o apaga.** Cualquier herramienta que no se pueda controlar con el interruptor es peligrosa.
- **Desconecte el enchufe de la fuente de energía antes de hacer cualquier ajuste o de cambiar accesorios.** Estas medidas de seguridad preventivas reducen el riesgo de arrancar la herramienta accidentalmente.
- **Mantenga las herramientas de corte afiladas y limpias.** Es menos probable que las herramientas mantenidas adecuadamente, con bordes de corte afilados, se atasquen, y son más fáciles de controlar. Al montar hojas de sierra, asegúrese de que la flecha de la hoja coincida con el sentido de la flecha marcada en la herramienta y de que los dientes también estén orientados en el mismo sentido.
- **Inspeccione los protectores antes de usar una herramienta. Mantenga los protectores en su sitio. Compruebe si las piezas móviles se atascan o si existe cualquier otra situación que pueda afectar el funcionamiento normal o los dispositivos de seguridad de la herramienta. Si la herramienta se daña, haga que realicen servicio de ajustes y reparaciones antes de usarla.** Muchos accidentes son causados por herramientas mal mantenidas.
- **No altere ni haga uso incorrecto de la herramienta.** Cualquier alteración o modificación constituye un uso incorrecto y puede dar lugar a lesiones personales graves.
- **La utilización de cualquier otro accesorio no especificado en este manual puede constituir un peligro.** Los accesorios que pueden ser adecuados para un tipo de herramienta pueden resultar peligrosos cuando se utilizan en una herramienta inadecuada.

Servicio

- **El servicio de ajustes y reparaciones de una herramienta debe ser realizado únicamente por personal de reparaciones competente.** El servicio o mantenimiento realizado por personal no competente puede tener como resultado una colocación incorrecta de los cables y componentes internos que podría causar un peligro grave.

- **Al realizar servicio de ajustes y reparaciones de una herramienta, utilice únicamente piezas de repuesto idénticas. Siga las instrucciones que figuran en la sección Mantenimiento de este manual.** El uso de piezas no autorizadas o el incumplimiento de las instrucciones de Mantenimiento puede constituir un peligro.

Normas de seguridad para sierras para cortar ingletes

- **Use abrazaderas para soportar la pieza de trabajo siempre que sea posible. Si soporta la pieza de trabajo con la mano, siempre debe mantener la mano fuera del área de “No tocar con la mano” según se marca con un símbolo en la base. Para reducir el riesgo de lesiones, utilice siempre la abrazadera para soportar la pieza de trabajo cuando haga un corte de inglete compuesto. No use esta sierra para cortar piezas que sean demasiado pequeñas para fijarlas firmemente con abrazaderas.** Si coloca la mano dentro de la región de “No tocar con la mano”, ésta puede resbalar o experimentar tracción hacia la hoja.
- **No ponga ninguna mano detrás de la hoja de sierra tras el tope-guía para sujetar o soportar la pieza de trabajo, quitar desechos de madera ni por cualquier otra razón.** Puede que la proximidad de la mano a la hoja de sierra que gira no sea obvia, y sin embargo usted puede resultar lesionado gravemente.
- **Nunca atraviése la mano sobre la línea de corte prevista.** Es muy peligroso soportar la pieza de trabajo “con las manos cruzadas”, es decir, sujetando el lado izquierdo de la pieza de trabajo con la mano derecha.
- **Desconecte siempre el cordón de energía de la fuente de energía antes de hacer cualquier ajuste o colocar cualquier accesorio.** Usted podría arrancar la sierra involuntariamente, teniendo como resultado lesiones personales graves.
- **Las sierras para cortar ingletes están diseñadas principalmente para cortar madera o productos parecidos a la madera y no se pueden usar con ruedas de corte abrasivas para cortar material ferroso tal como barras, varillas, espigas, etc. Sin embargo, si corta materiales como aluminio u otros materiales no ferrosos, utilice únicamente hojas de sierra recomendadas específicamente para el corte de metales no ferrosos.** El corte de materiales ferrosos genera un exceso de chispas, dañará el protector inferior y sobrecargará el motor.
- **Inspeccione la pieza de trabajo antes de cortar. Si la pieza de trabajo está arqueada o combada, fíjela con el lado arqueado exterior orientado hacia el tope-guía. Asegúrese siempre de que no haya espacio libre entre la pieza de trabajo, el tope-guía y la mesa a lo largo de la línea de corte.** Las piezas de trabajo arqueadas o combadas pueden torcerse u oscilar y pueden causar atasco en la hoja de sierra que gira durante el corte. Además, asegúrese de que no haya clavos ni objetos extraños en la pieza de trabajo.

“CONSERVE ESTAS INSTRUCCIONES”

Seguridad

⚠ ADVERTENCIA “LEA TODAS LAS INSTRUCCIONES”. El incumplimiento de las NORMAS DE SEGURIDAD identificadas por el símbolo del PUNTO NEGRO (•) que se indican A CONTINUACION y otras precauciones de seguridad puede dar lugar a lesiones personales graves.

- **No use la sierra hasta que se hayan retirado de la mesa todas las herramientas, desechos de madera, etc., excepto la pieza de trabajo.** Los desperdicios pequeños o las piezas sueltas de madera u otros objetos que hagan contacto con la hoja que gira pueden salir despedidos a alta velocidad hacia el operador.
- **No haga avanzar la pieza de trabajo hacia la hoja ni corte a pulso de ningún modo. La pieza de trabajo debe estar estacionaria y fijada con abrazaderas o sujeta con la mano.** Se debe hacer avanzar la sierra a través de la pieza de trabajo de modo suave y a una velocidad que no sobrecargue el motor de la sierra.
- **Corte únicamente una pieza de trabajo por vez.** No se pueden fijar con abrazaderas ni sujetar de modo adecuado múltiples piezas de trabajo y éstas pueden atascarse en la hoja o desplazarse durante el corte.
- **Asegúrese de que la sierra para cortar ingletes esté montada o colocada sobre una superficie de trabajo nivelada y firme antes de utilizarla.** Una superficie de trabajo nivelada y firme reduce el riesgo de que la sierra para cortar ingletes se vuelva inestable.
- **Planifique el trabajo que va a hacer. Proporcione accesorios de soporte adecuados, tales como mesas, caballetes de aserrar, extensiones de mesa, etc., para piezas de trabajo más anchas o más largas que el tablero de la mesa (vea la página 46).** Las piezas de trabajo más largas o más anchas que la mesa de la sierra para cortar ingletes se pueden inclinar si no se soportan adecuadamente. Si la pieza cortada o la pieza de trabajo se inclina, puede hacer subir el protector inferior o salir despedida por acción de la hoja que gira.
- **No use a otra persona como sustituto de una extensión de mesa o como soporte adicional.** Un soporte inestable de la pieza de trabajo puede hacer que la hoja se atasque o que la pieza de trabajo se desplace durante la operación de corte, tirando de usted y del ayudante hacia la hoja que gira.
- **La pieza cortada no debe estar bloqueada contra ningún otro medio ni presionada por ningún otro medio contra la hoja de sierra que gira.** Si se confina, es decir, si se usan topes de longitud, podría quedar acuñada contra la hoja y salir despedida violentamente.
- **Use siempre una abrazadera o un dispositivo de sujeción diseñado para soportar adecuadamente material redondo tal como varillas con espiga o tubos.** Las varillas tienen tendencia a rodar mientras son cortadas, haciendo que la hoja “muerda” la pieza de trabajo y tire de ésta, junto con la mano del operador, hacia la hoja.
- **Al cortar piezas de trabajo que tienen forma irregular, planifique su trabajo de modo que la pieza de trabajo no resbale y pellizque la hoja y le sea arrancada de la mano.** Por ejemplo, una pieza de moldura debe estar colocada en posición horizontal o estar sujeta por un dispositivo de sujeción o un posicionador que no permita que la pieza se tuerza, oscile o resbale mientras está siendo cortada.
- **Antes de aserrar, asegúrese siempre de que no haya interferencia entre las partes móviles y estacionarias de la sierra.** No utilice la sierra en el siguiente intervalo de

combinaciones de inglete y bisel: Ángulos de inglete a la izquierda mayores de 45° y ángulos de bisel mayores de 35°. Estas combinaciones de inglete y bisel pueden causar interferencia entre el protector inferior y la abrazadera para la pieza de trabajo.

- **No utilice una hoja de sierra con capacidad nominal inferior a 5000/min (RPM).**
- **No utilice una hoja con más o menos de 10 pulgadas de diámetro y 5/8 de pulgada de eje portaherramienta.**
- **Deje que la hoja alcance toda su velocidad antes de hacer contacto con la pieza de trabajo.** Esto ayudará a evitar que las piezas de trabajo salgan despedidas.
- **Si la pieza de trabajo o la hoja se atasca o engancha, apague la sierra para cortar ingletes soltando el interruptor. Espere a que todas las piezas móviles se detengan y desenchufe la sierra para cortar ingletes.** Luego, suelte el material atascado. El aserrado continuo de una pieza de trabajo atascada podría causar pérdida de control o daños a la sierra para cortar ingletes compuestos.
- **La acción de frenado de la sierra hace que el cabezal de la sierra dé sacudidas hacia abajo. Este preparado para esta reacción al hacer un corte incompleto o al soltar el interruptor antes de que el cabezal esté en la posición completamente hacia abajo.**
- **Después de terminar el corte, suelte el interruptor, sujete el brazo de la sierra hacia abajo y espere a que la hoja se detenga antes de retirar la pieza de trabajo o la pieza cortada. Si la hoja no se detiene al cabo de siete (7) segundos, desenchufe la sierra y siga las instrucciones que figuran en la sección Localización y reparación de averías. ¡ES PELIGROSO PONER LA MANO BAJO UNA HOJA QUE aun GIRA POR INERCIA!**

⚠ ADVERTENCIA Cierta polvo generado por el lijado, aserrado, amolado y taladrado mecánicos, y por otras actividades de construcción, contiene agentes químicos que se sabe que causan cáncer, defectos de nacimiento u otros daños sobre la reproducción. Algunos ejemplos de estos agentes químicos son:

- Plomo de pinturas a base de plomo,
- Sílice cristalina de ladrillos y cemento y otros productos de mampostería, y
- Arsénico y cromo de madera tratada químicamente.

Su riesgo por causa de estas exposiciones varía, dependiendo de con cuánta frecuencia realice este tipo de trabajo. Para reducir su exposición a estos agentes químicos: trabaje en un área bien ventilada y trabaje con equipo de seguridad aprobado, como por ejemplo máscaras antipolvo que estén diseñadas especialmente para impedir mediante filtración el paso de partículas microscópicas.

- **Hay instrucciones de seguridad adicionales para operaciones específicas de la sierra en la sección de operaciones. Lea el resto del manual para informarse sobre la utilización con seguridad.**

“CONSERVE ESTAS INSTRUCCIONES”

Seguridad

⚠ ADVERTENCIA “LEA TODAS LAS INSTRUCCIONES”. El incumplimiento de las NORMAS DE SEGURIDAD identificadas por el símbolo del PUNTO NEGRO (•) que se indican A CONTINUACION y otras precauciones de seguridad puede dar lugar a lesiones personales graves.

- **No permita que la familiarización obtenida por el uso frecuente de la sierra para cortar ingletes se vuelva algo habitual.** Recuerde siempre que un descuido de una fracción de segundo es suficiente para causar una lesión grave.
- ¡PIENSE EN LA SEGURIDAD! LA SEGURIDAD ES UNA COMBINACION DE SENTIDO COMUN Y CONOCIMIENTO DE LAS INSTRUCCIONES DE SEGURIDAD Y DE FUNCIONAMIENTO POR PARTE DEL OPERADOR Y DE QUE ESTE PERMANEZCA ALERTA EN TODO MOMENTO MIENTRAS SE ESTA UTILIZANDO LA SIERRA PARA CORTAR INGLETES.

⚠ ADVERTENCIA LAS ADVERTENCIAS QUE SE MUESTRAN A CONTINUACION SE PUEDEN ENCONTRAR EN LA HERRAMIENTA. ESTAS ADVERTENCIAS SON SOLAMENTE UNA FORMA CONDENSADA DE LAS NORMAS Y PRECAUCIONES DE SEGURIDAD MAS DETALLADAS QUE APARECEN EN EL MANUAL DEL USUARIO. SIRVEN COMO RECORDATORIO DE TODAS LAS NORMAS DE SEGURIDAD NECESARIAS PARA LA UTILIZACION CON SEGURIDAD DE ESTA SIERRA PARA CORTAR INGLETES.



ZONA DESIGNADA DE PELIGRO. EVITE SITUAR LAS MANOS, LOS DEDOS O LOS BRAZOS EN EL AREA DESIGNADA POR ESTE SIMBOLO.

⚠ AVERTISSEMENT Pour réduire le risque de blessure, lire et comprendre le mode d'emploi. ⚠ Utiliser une protection oculaire, auditive et respiratoire. ⚠ Utiliser une lame homologuée pour 5000 coups/min ou plus. ⚠ Ne pas utiliser la scie sans système de protection en état de marche. Si le dispositif de protection ne fonctionne pas correctement, ne faire réparer. Après un changement de lame, remettre le dispositif de protection en position de fonctionnement. ⚠ Garder les mains à une distance sûre de la lame de scie. Toujours rester hors de la zone Pas de mains. ⚠ Débrancher la scie avant de l'entretenir ou de changer la lame. ⚠ N'étendez pas le bras de l'autre côté ou à l'arrière de la lame de scie. ⚠ Maintenir ou fixer la pièce à travailler contre une base ou un guide. Ne jamais effectuer d'opération à main libre. ⚠ Ne pas couper en face de la main. Ne jamais placer la main ou le bras dans le trajet prévu de la lame. Le moteur à l'ARRÊT, simuler un trajet sans couper pour vérifier la portée de la lame. ⚠ Après l'ARRÊT de la scie, garder la scie en position basse et attendre que la lame s'arrête avant de retirer les pièces découpées ou de changer de réglage. ⚠ Afin d'éviter une décharge électrique, ne pas exposer à la pluie ni utiliser dans des endroits humides. ⚠ En cas de réparation, n'utiliser que des pièces de rechange identiques. ⚠ Utilisez toujours un support auxiliaire pour soutenir les ouvrages très longs. ⚠ Utilisez toujours la bride de fixation pour assujettir l'ouvrage lorsque vous effectuez une coupe d'inglet composée. Ne le soutenez pas à la main.

⚠ WARNING To reduce the risk of injury, always use the clamp to support the workpiece when making a compound miter cut. Do not support by hand.

⚠ ADVERTENCIA Para reducir el riesgo de lesiones, utilice siempre la abrazadera para soportar la pieza de trabajo cuando haga un corte de inglete compuesto. No soporte la pieza de trabajo con la mano.

⚠ AVERTISSEMENT Pour réduire le risque de blessure, utilisez toujours la bride de fixation pour assujettir l'ouvrage lorsque vous effectuez une coupe d'inglet composée. Ne le soutenez pas à la main.

⚠ WARNING To reduce risk of injury, user must read and understand the instruction manual. ⚠ Wear eye, hearing and respiratory protection. ⚠ Use saw blade rated 5000/min or greater. ⚠ Do not use saw without functioning guard system. If guard doesn't operate smoothly, have it serviced. After changing blade return guard to operating position. ⚠ Keep hands a safe distance from saw blade. Always keep outside of No-Hands zone. ⚠ Disconnect saw from power source before servicing or changing blade. ⚠ Never reach around or in the back of the saw blade. ⚠ Hold or clamp workpieces against base and fence. Never perform any operation freehand. ⚠ Do not Cross-Hand cut. Never place your hands or arms across the projected saw blade path. With motor OFF, make a Dry-Run to be aware of the blade's reach. ⚠ After turning saw OFF, keep saw in the down position and wait for blade to stop before removing cutoff pieces or changing settings. ⚠ To avoid electrical shock, do not expose to rain or use in damp locations. ⚠ When servicing use only identical replacement parts. ⚠ Always use auxiliary stand to support long workpieces. ⚠ Always use the clamp to support the workpiece when making a compound miter cut. Do not support by hand.

SKILSAW 3317

510125(4mm) COMPOUND MITER SAW
120V - 50Hz ISA No.5000/min (RPM)
F012331700
Robert Bosch Tool Corp.
Mount Prospect, IL, Made in China
LISTED TOUL 2536
E19254

⚠ ADVERTENCIA Para reducir el riesgo de lesiones, el usuario debe leer y entender el manual de instrucciones. ⚠ Use protección de los ojos, de la audición y protección respiratoria. ⚠ Use una hoja de sierra con capacidad nominal de 5000/min o mayor. ⚠ No use la sierra si el sistema del protector no funciona correctamente. Si el protector no funciona con suavidad, haga que le den servicio de ajustes y reparaciones. Después de cambiar la hoja, regrese el protector a la posición de funcionamiento. ⚠ Mantenga las manos a una distancia segura de la hoja de sierra. Manténgalas siempre fuera de la zona de “manos no”. ⚠ Desconecte la sierra de la fuente de energía antes de realizar servicio de ajustes y reparaciones o de cambiar la hoja. ⚠ No nunca nunca las manos alrededor de la hoja de sierra ni detrás de ella. ⚠ Fije o sujete con abrazaderas la pieza de trabajo contra la base y el tope-guía. No realice nunca operaciones a pulso.

⚠ ADVERTENCIA Para evitar las descargas eléctricas, no exponga la herramienta a la lluvia ni la utilice en lugares húmedos. ⚠ No corte transversalmente a las manos. Nunca ponga las manos o los brazos en la trayectoria proyectada de la hoja de sierra. Con el motor en la posición de apagado, haga una pasada de prueba para comprobar el alcance de la hoja. ⚠ Después de apagar la sierra, manténgala en la posición hacia abajo y espere a que la hoja se detenga antes de retirar las piezas cortadas o cambiar los ajustes. ⚠ Cuando haga servicio de ajustes y reparaciones de la herramienta, utilice únicamente piezas de repuesto idénticas. ⚠ Utilice siempre la base de soporte auxiliar para soportar las piezas de trabajo largas. ⚠ Utilice siempre la abrazadera para soportar la pieza de trabajo cuando haga un corte de inglete compuesto. No soporte la pieza de trabajo con la mano.

DANGER	PELIGRO
LASER RADIATION - AVOID DIRECT EYE EXPOSURE	RADIACIÓN LÁSER: EVITE LA EXPOSICIÓN DIRECTA DE LOS OJOS
 WAVELENGTH: 650 nm Max. Output: < 5 mW	DANGER
CLASS IIIa LASER PRODUCT	RAYONNEMENT LASER - ÉVITER D'Y EXPOSER DIRECTEMENT LES YEUX
	COMPLIES WITH FDA 21CFR1040.10 AND 1040.11

- AVOID EXPOSURE - LASER RADIATION IS EMITTED FROM THIS APERTURE.
- EVITE LA EXPOSICIÓN. DESDE ESTA ABERTURA SE EMITE RADIACIÓN LÁSER.
- ÉVITER L'EXPOSITION - RAYONNEMENT LASER ÉMIS PAR CETTE OUVERTURE.




“CONSERVE ESTAS INSTRUCCIONES”

Seguridad

ADVERTENCIA “LEA TODAS LAS INSTRUCCIONES”. El incumplimiento de las NORMAS DE SEGURIDAD identificadas por el símbolo del PUNTO NEGRO (•) que se indican A CONTINUACION y otras precauciones de seguridad puede dar lugar a lesiones personales graves.

Conexión a una fuente de alimentación

Herramientas con aislamiento doble

El aislamiento doble  es un concepto de diseño utilizado en las herramientas mecánicas eléctricas que elimina la necesidad de un cordón de energía de tres cables conectado a tierra y de un sistema de fuente de energía conectado a tierra. Es un sistema reconocido y aprobado por Underwriter's Laboratories, la CSA y las autoridades federales de la OSHA.

ADVERTENCIA El servicio de ajustes y reparaciones de una herramienta con aislamiento doble requiere cuidado y conocimiento del sistema y deberá ser realizado únicamente por un técnico de servicio competente.

ADVERTENCIA DURANTE EL SERVICIO DE AJUSTES Y REPARACIONES, UTILICE ÚNICAMENTE PIEZAS DE REPUESTO IDENTICAS.

ADVERTENCIA ENCHUFES POLARIZADOS. Para reducir el riesgo de sacudidas eléctricas, su herramienta está equipada con un enchufe polarizado (una terminal es más ancha que la otra), este enchufe entrará en un tomacorriente polarizado solamente de una manera. Si el enchufe no entra por completo en el tomacorriente, déle la vuelta. Si sigue sin entrar, póngase en contacto con un electricista competente para instalar el tomacorriente adecuado. Para reducir el riesgo de sacudidas eléctricas, no haga ningún tipo de cambio en el enchufe.

Cordones de extensión

ADVERTENCIA Sustituya los cordones dañados inmediatamente. La utilización de cordones dañados puede causar “shock”, quemar o electrocutar.

ADVERTENCIA Si se necesita un cordón de extensión, se debe utilizar un cordón con conductores de tamaño adecuado para prevenir caídas de tensión excesivas, pérdidas de potencia o sobrecalentamiento. La tabla muestra el tamaño correcto a utilizar, según la longitud del cordón y la capacidad nominal en amperios indicada en la placa del fabricante de la herramienta. En caso de duda, utilice la medida más gruesa siguiente. Utilice siempre cordones de extensión catalogados por U.L. y la CSA.

TAMAÑOS RECOMENDADOS DE CORDONES DE EXTENSION
HERRAMIENTAS DE 120 V CORRIENTE ALTERNA

Capacidad nominal en amperes de la herramienta	Tamaño del cordón en A.W.G.				Tamaños del cable en mm ²			
	Longitud del cordón en pies				Longitud del cordón en metros			
	25	50	100	150	15	30	60	120
3-6	18	16	16	14	.75	.75	1.5	2.5
6-8	18	16	14	12	.75	1.0	2.5	4.0
8-10	18	16	14	12	.75	1.0	2.5	4.0
10-12	16	16	14	12	1.0	2.5	4.0	—
12-16	14	12	—	—	—	—	—	—

NOTA: Cuanto más pequeño es el número de calibre, más grueso es el cordón.

“CONSERVE ESTAS INSTRUCCIONES”

Capacidades de corte máximas

Ángulo de inglete / Ángulo de bisel	madera aserrada dimensionada		tamaños reales			
	pulgadas		pulgadas		centímetros	
	altura	anchura	altura	anchura	altura	anchura
0 / 0	Altura máxima	4 x 4	3-1/2	3-1/2	8.9	8.9
0 / 0	Anchura máxima	2 x 6	1-1/2	5-1/2	3.8	14.0
45 / 0		2 x 4	1-1/2	3-1/2	3.8	8.9
0 / 45		2 x 6	1-1/2	5-1/2	3.8	14.0
45 / 45		2 x 4	1-1/2	3-1/2	3.8	8.9

Índice

	Página		Página
Seguridad	18-22	Ajustes	40-42
Normas generales de seguridad para herramientas para tablero de banco	18-19	Hoja respecto al tope-guía	40
Normas de seguridad para sierras para cortar ingletes	19-21	Base respecto a la hoja	42
Índice	23	Tope de bisel	42
Requisitos eléctricos	23	Operaciones básicas de la sierra	44-48
Advertencias sobre el láser	24	Posición del cuerpo y de las manos	44
Familiarización con la sierra para cortar ingletes	25	Soporte de la pieza de trabajo	46
Desempaquetado y comprobación del contenido	28	Juego de soporte de la pieza de trabajo	48
Ensamblaje	30-34	Activación del interruptor	50
Herramientas necesarias para el ensamblaje y la alineación	28	Sistema de alineación por láser	50
Instalación del pomo de fijación de inglete	30	Pasador de fijación del ensamblaje del cabezal	50
Almacenamiento de la llave de tuerca para la hoja de sierra	30	Operaciones de la sierra	52-62
Instalación de la bolsa para polvo	32	Corte a inglete	52
Instalación de la abrazadera tipo prensa de tornillo	32	Corte en bisel	54
Remoción e instalación de la hoja	34	Cortes compuestos	56
Utilización de hojas con puntas de carburo	34	Moldura de base	59
Instalación	36-38	Corte de moldura de techo	59, 62
Aplicaciones de montaje	36-38	Cortes especiales	64
		Mantenimiento y lubricación	66, 68
		Resolución de problemas	70
		Garantía limitada	Cubierta interior trasera

Requisitos eléctricos

1. Conecte esta sierra a un circuito derivado de 120 V y 15 A con cortacircuito o un fusible de 15 amperios de acción retardada. La utilización de un fusible de tamaño incorrecto puede dañar el motor.
2. Los fusibles pueden fundirse o los cortacircuitos pueden dispararse frecuentemente si se sobrecarga el motor. La sobrecarga puede producirse si se hace avanzar la hoja por la pieza de trabajo demasiado rápido o si se arranca y se detiene demasiado frecuente en un período de tiempo corto.
3. La mayoría de los problemas del motor se pueden atribuir a conexiones flojas o incorrectas, sobrecarga, tensión baja (tal como un cable de tamaño pequeño en el circuito de alimentación o un cable del circuito de alimentación demasiado largo). Compruebe siempre las conexiones, la carga y el circuito de alimentación cuando el motor no funciona bien.

Freno eléctrico

La sierra está equipada con un freno eléctrico automático que está diseñado para hacer que la hoja deje de girar en unos 7 segundos después que usted suelte el interruptor gatillo. Es útil al hacer ciertos cortes en madera donde una hoja que aún gire por inercia podría producir un corte ancho e impreciso.

⚠ ADVERTENCIA Cuando se pierda la energía eléctrica debido a que se haya fundido un fusible o a otras causas, la velocidad del motor se reducirá gradualmente y la acción de frenado se iniciará únicamente al soltar el interruptor gatillo.

El freno eléctrico de la hoja de la sierra ha sido diseñado para proporcionar el más alto grado de confiabilidad, pero circunstancias inesperadas, tales como presencia de contaminación en el conmutador y en las escobillas o avería de los componentes del motor, pueden hacer que el freno no se active. Si se produce esta situación, encienda (posición "ON") y apague (posición "OFF") la sierra cuatro o cinco veces sin entrar en contacto con la pieza de trabajo. Si la herramienta funciona pero el freno no detiene la hoja cada vez en unos 7 segundos, NO utilice la sierra y haga que se realice servicio de ajustes y reparaciones inmediatamente.

⚠ ADVERTENCIA La acción de frenado de esta sierra no está proyectada como dispositivo de seguridad. Recuerde dejar que la hoja de la sierra se detenga por completo antes de retirarla de la pieza de trabajo. Como siempre, el sistema de protectores constituye la mejor protección para usted contra el contacto no intencional con la hoja de sierra que gira. NUNCA ponga cuñas para mantener abierto el protector inferior ni anule la acción de cierre de dicho protector.

Advertencias sobre el láser

⚠ PELIGRO **RADIACIÓN LÁSER. EVITE LA EXPOSICIÓN DIRECTA DE LOS OJOS. No mire a la fuente de luz láser. No apunte nunca la luz hacia otra persona o hacia otro objeto que no sea la pieza de trabajo.** La luz láser puede dañar los ojos.

⚠ ADVERTENCIA **No use lentes tintados para intensificar la luz láser.** Los lentes tintados reducirán la visión total para realizar la aplicación e interferirán con el funcionamiento normal de la herramienta.

⚠ ADVERTENCIA **No apunte nunca el rayo hacia una pieza de trabajo que tenga una superficie reflectora.** La chapa de acero reflectora brillante y resplandeciente o las superficies reflectoras similares no se recomiendan para usar un


láser. Las superficies reflectoras podrían dirigir el rayo de vuelta hacia el operador.

⚠ PRECAUCION El uso de controles o ajustes, o la realización de procedimientos que no sean los que se especifican en este manual, podría causar una exposición peligrosa a la radiación.

⚠ PRECAUCION El uso de instrumentos ópticos con este producto aumentará los peligros para los ojos.

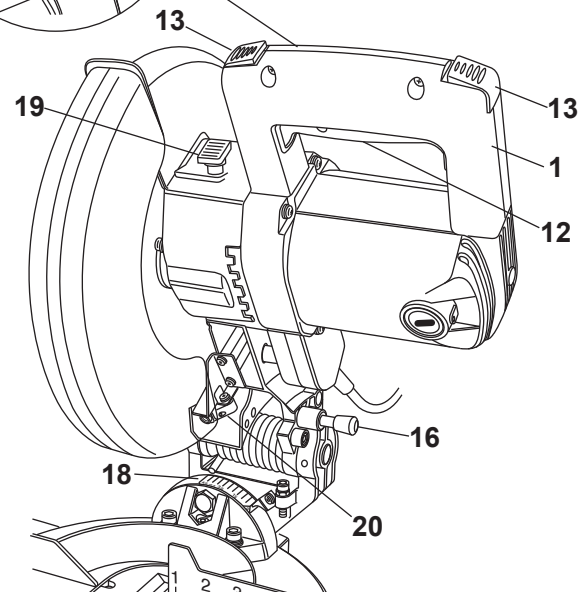
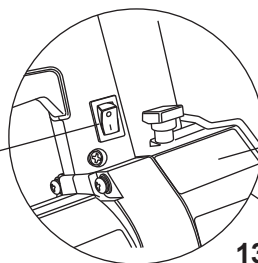
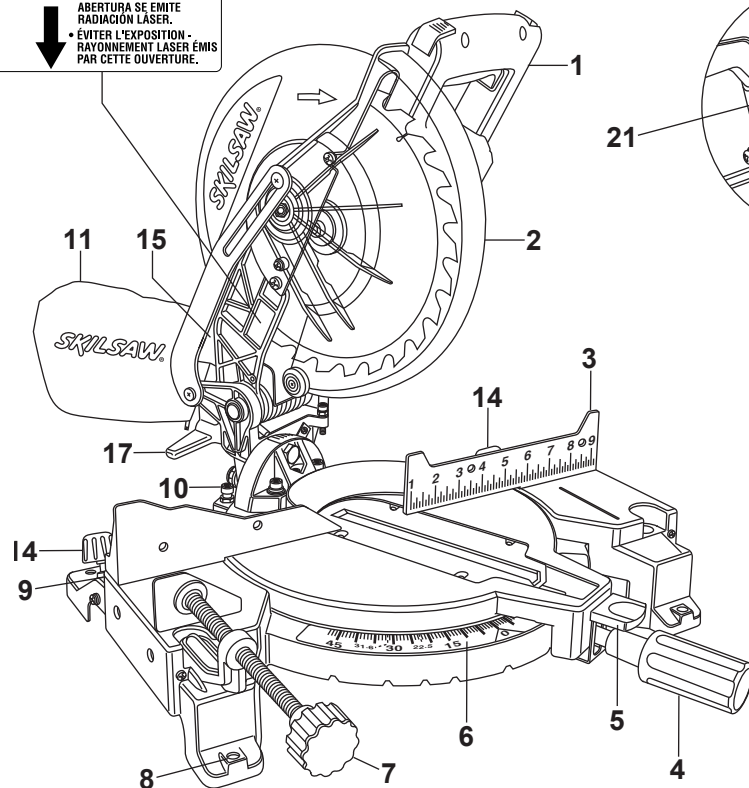
La guía de la luz láser es un láser de clase IIIA con una potencia de salida máxima de 5.0 mW y cumple con las normas 21 CFR 1040.10 y 1040.11.

DANGER	PELIGRO
 <p>LASER RADIATION - AVOID DIRECT EYE EXPOSURE</p> <p>WAVELENGTH: 650 nm Max. Output: < 5 mW</p>	<p>RADIACIÓN LÁSER: EVITE LA EXPOSICIÓN DIRECTA DE LOS OJOS</p>
CLASS IIIa LASER PRODUCT	DANGER
	<p>RAYONNEMENT LASER -ÉVITER D'Y EXPOSER DIRECTEMENT LES YEUX</p> <p>COMPLIES WITH FDA 21CFR1040.10 AND 1040.11</p>

<ul style="list-style-type: none"> • AVOID EXPOSURE - LASER RADIATION IS EMITTED FROM THIS APERTURE. • EVITE LA EXPOSICIÓN, DESDE ESTA ABERTURA SE EMITE RADIACIÓN LÁSER.

<ul style="list-style-type: none"> • ÉVITER L'EXPOSITION - RAYONNEMENT LASER ÉMIS PAR CETTE OUVERTURE.

Familiarización con la sierra para cortar ingletes

• AVOID EXPOSURE - LASER RADIATION IS EMITTED FROM THIS APERTURE.
• EVITE LA EXPOSICIÓN. DESDE ESTA ABERTURA SE EMITE RADIACIÓN LASER.
• ÉVITER L'EXPOSITION - RAYONNEMENT LASER ÉMIS PAR CETTE OUVERTURE.



⚠ ADVERTENCIA Para evitar lesiones debidas a un arranque accidental, saque el enchufe del tomacorriente de la fuente de energía antes de hacer cualquier ajuste.

1. **Mango con interruptor** — Este mango contiene el interruptor. La hoja se baja hasta la pieza de trabajo empujando o tirando del mango hacia abajo.
2. **Protector inferior de la hoja / Reborde del protector inferior** — El protector inferior de la hoja ayuda a proteger las manos de la hoja que gira. Dicho protector se retrae a medida que se baja la hoja. El reborde se puede utilizar para subir el protector inferior cuando dicho protector se atasque en una pieza de trabajo.
3. **Tope-guía** — Soporta la pieza de trabajo. El tope-guía tiene una escala fundida para facilitar la realización de cortes repetitivos.
4. **Pomo de fijación de inglete** — El pomo de fijación de inglete fija la mesa de la sierra para cortar ingletes en cualquier ángulo de inglete deseado.
5. **Gatillo de retén de inglete** — El gatillo libera la mesa del retén.
6. **Escala de ingletes** — Esta escala le permite a usted leer fácilmente los ángulos de inglete.
7. **Abrazadera tipo prensa de tornillo** — Proporciona sujeción rápida de la pieza de trabajo.
8. **Almohadillas de montaje de la herramienta** — Cuatro áreas para sujetar con abrazaderas, emperrar o clavar la sierra a una superficie de trabajo plana.
9. **Llave hexagonal** — Se utiliza para apretar y aflojar la hoja.
10. **Tornillos del tope de bisel** — Se utilizan para ajustar la hoja escuadrada contra la base a 90 grados y a un bisel de 45 grados.
11. **Bolsa de recolección de polvo** — Se conecta al orificio para

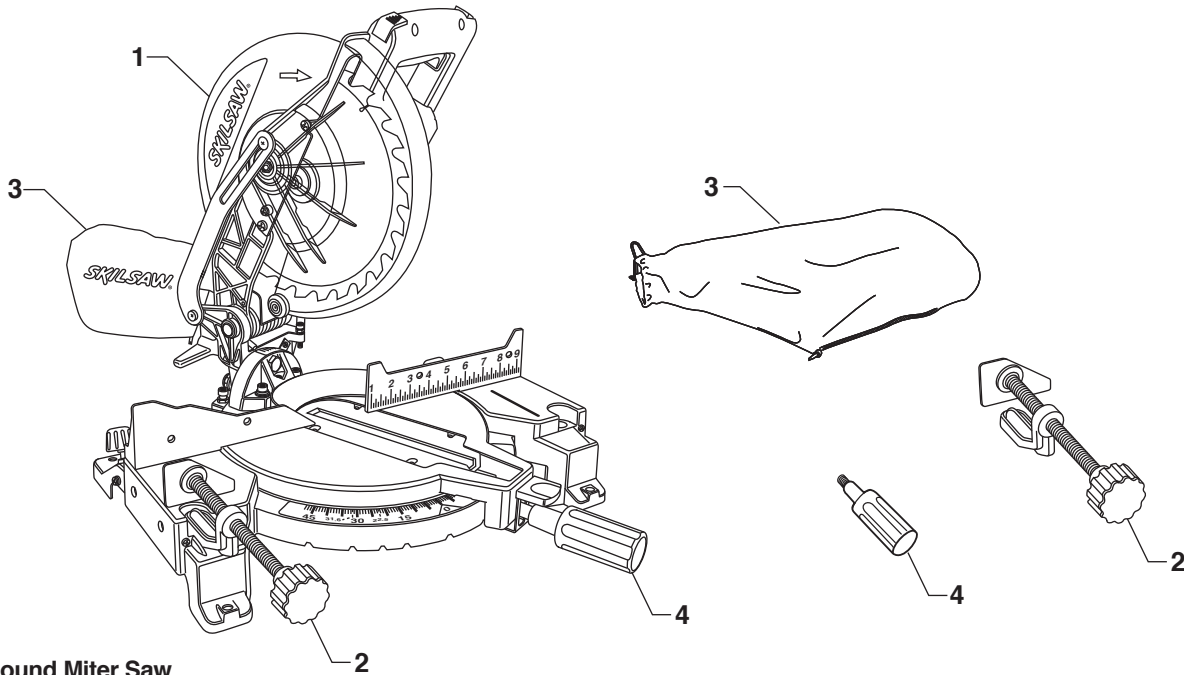
polvo y recoge el polvo para ayudar a mantener limpia el área de trabajo.

12. **Interruptor gatillo** — El interruptor de alimentación utilizado con el interruptor ambidiestro enciende a la unidad.
13. **Interruptor de fijación en apagado** — El interruptor ambidiestro izquierdo o derecho se debe presionar para activar el interruptor de alimentación.
14. **Boutons de serrage rapide des brides de fixation** — Permiten el montaje rápido y fácil en la base de soporte para sierras para cortar ingletes Skil.
15. **Orificio para polvo** — El orificio para polvo puede acomodar la bolsa para polvo o una conexión de manguera de aspiración de 1-1/4 pulgadas.
16. **Pasador de fijación del ensamblaje del cabezal** — La sierra para cortar ingletes compuestas está equipada con un pasador de cierre que se utiliza para fijar el ensamblaje del cabezal en la posición inferior.
17. **Pomo de fijación de bisel** — El mango de fijación de bisel fija el ensamblaje del cabezal en el ángulo de bisel deseado.
18. **Escala de bisel** — La escala le permite leer fácilmente los ángulos de bisel.
19. **Cierre del eje** — Permite al usuario impedir que la hoja gire mientras aprieta o afloja el tornillo del eje, para cambiar o quitar la hoja.
20. **Sistema de alineación del láser**
La sierra para cortar ingletes está equipada con un sistema de alineación del láser para ayudar a identificar el punto donde la hoja contactará la pieza de trabajo.
21. **Interruptor de encendido y apagado del láser**
Enciende y apaga el sistema de alineación por láser.

VER CONTINUACIÓN DEL ESPAÑOL EN LA PÁGINA 28

Unpacking and Checking Contents

FIG. 1



- 1. Compound Miter Saw
- 2. Vise Clamp Assembly
- 3. Dust Bag
- 4. Miter Handle

CAUTION Before moving the saw: Lock the miter lock knob in 45° left or right position. Lock bevel lock handle. Lock head assembly in the down position.

Never carry the tool by the cord or head assembly power switch handle. Damage to insulation could cause an electric shock. Damage to wire connections could cause a fire.

Model 3317 Compound Miter Saw is shipped complete in one box.

1. Separate all parts from packing materials and check each one with the parts in Figure 1 to make sure all items are accounted for before discarding any packing material.

If any parts are missing, do not plug in power cord or turn the switch on until the missing parts are obtained and are installed correctly.

Assembly

Tools Needed For Assembly And Alignment

#2 Phillips Screwdriver



9/16" / (14 mm) Combination Open End Wrench

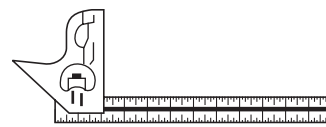
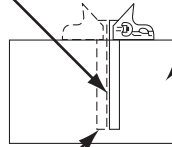


Combination Square Must be True

Draw Light Line on Board Along this Edge

Straight Edge of Board 3/4" Thick This Edge Must be Perfectly Straight

Should be no Gap or Overlap when Square is Flipped Over in Dotted Position

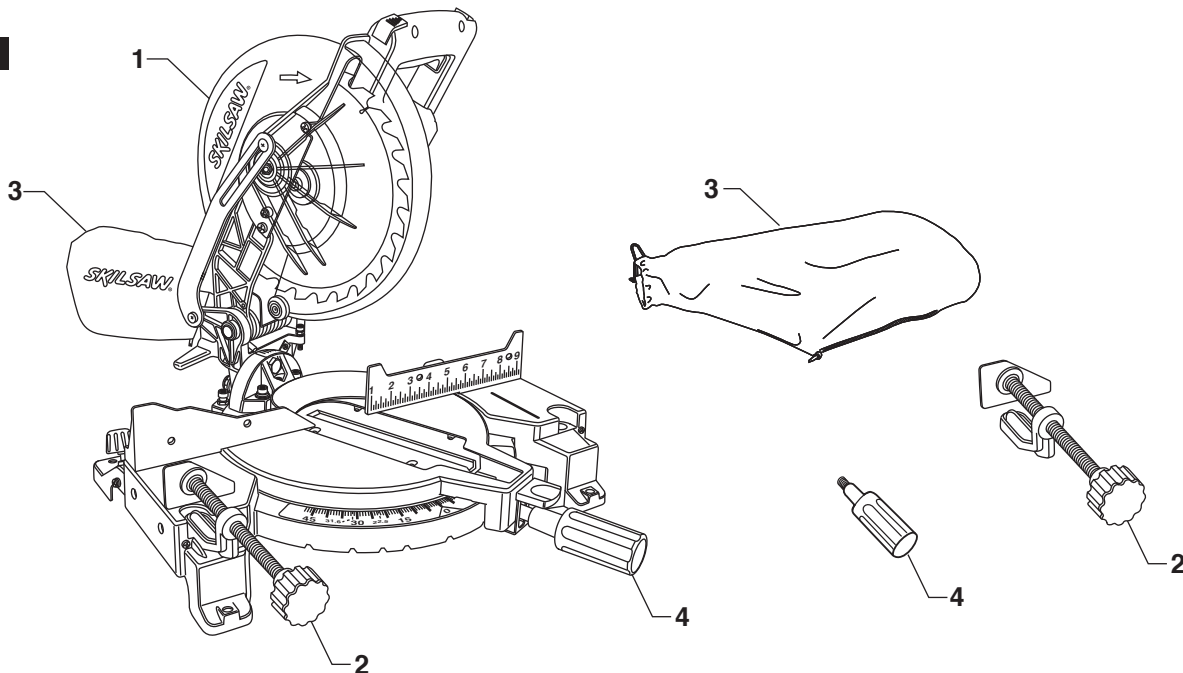


Combination Square

WARNING Disconnect plug from power source before performing any assembly, adjustment or repair to avoid possible injury.

Déballage et inspection du contenu

FIG. 1



1. Scie à onglets composés
2. Ensemble de bride de fixation de l'étau
3. Sac à poussière
4. Poignée à biseau

⚠ MISE EN GARDE Avant de déplacer la scie : verrouillez le bouton de verrouillage d'onglet dans la position 45° à droite ou à gauche. Verrouillez la poignée de verrouillage de biseau. Verrouillez la tête en position abaissée.

Ne transportez jamais l'outil par son cordon d'alimentation électrique ou par la poignée à interrupteur de la tête. L'endommagement de l'isolation pourrait causer un choc électrique. L'endommagement des connexions des fils; pourrait causer un incendie.

La scie à onglets composés modèle 3317 est expédiée au complet dans une seule boîte.

1. Séparez toutes les pièces des matériaux d'emballage et inspectez chaque pièce en la comparant aux illustrations de la Figure 1 pour vous assurer que tous les composants sont présents avant de jeter de quelconques matériaux d'emballage.

Si des pièces sont absentes, ne branchez pas le cordon d'alimentation électrique ou ne mettez pas l'interrupteur en marche avant d'avoir obtenu et installé correctement les pièces manquantes.

Assemblage

Outils nécessaires à l'assemblage et à l'alignement

Tournevis à pointe cruciforme N° 2



Clé plate combinée
9/16 po / (14 mm)

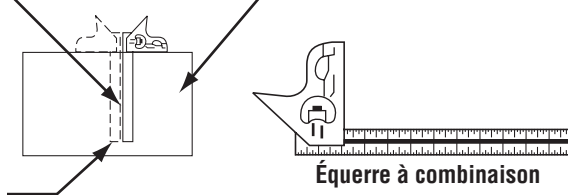


L'équerre à combinaison doit être vraie.

Tracez une ligne délicate sur la planche le long de ce bord.

Bord droit de la planche 3/4 po d'épaisseur
Ce bord doit être parfaitement droit.

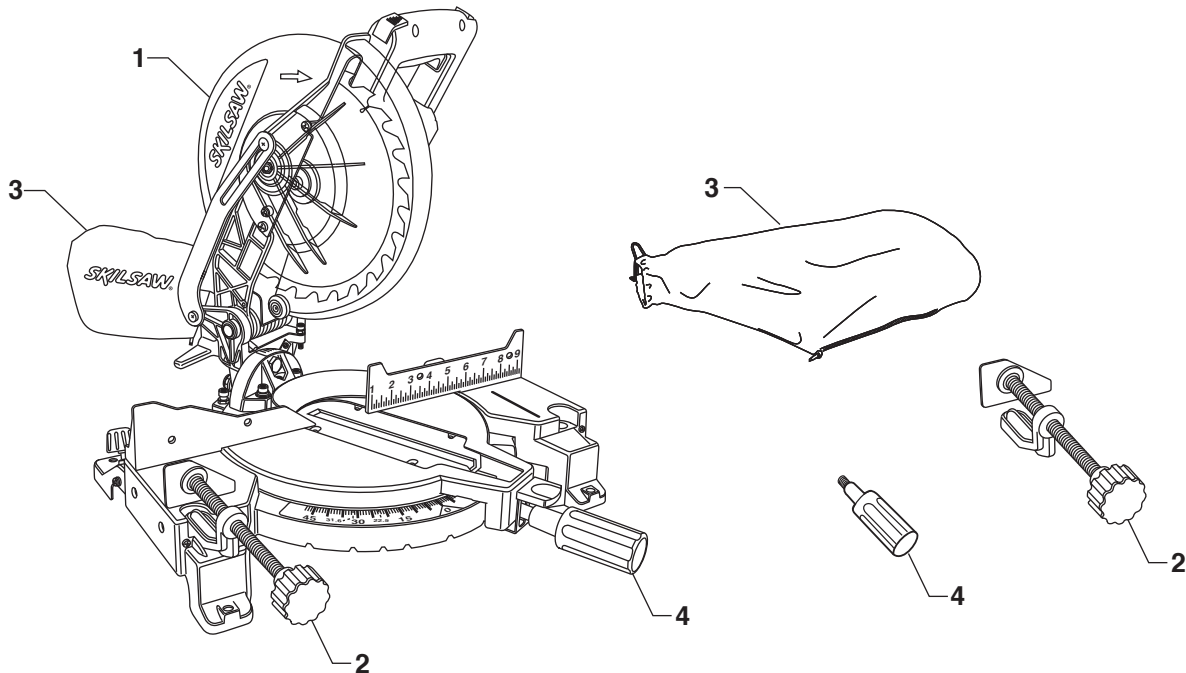
Il ne doit y avoir aucun écartement ou chevauchement lorsque l'équerre est renversée à la position en tirets.



⚠ AVERTISSEMENT Débranchez la fiche de la prise de courant avant d'effectuer tout assemblage, réglage ou réparation pour éviter d'éventuelles blessures.

Desempaquetado y comprobación del contenido

FIG. 1



1. Sierra para cortar ingletes compuestos
2. Ensamblaje de la abrazadera tipo prensa de tornillo
3. Bolsa para polvo
4. Mango de inglete

PRECAUCIÓN Antes de mover la sierra: Fije el pomo de fijación de inglete en la posición de 45° a la izquierda o a la derecha. Fije el mango de fijación de bisel. Fije el ensamblaje del cabezal en la posición hacia abajo.

No transporte nunca la herramienta por el cable de alimentación o el mango con interruptor de alimentación ubicado en el ensamblaje del cabezal. Los daños al aislamiento podrían causar una descarga eléctrica. Los daños a las conexiones de los cables podrían causar un incendio.

La sierra para cortar ingletes compuestos modelo 3317 se envía completa en una caja.

1. Separe todas las piezas de los materiales de empaquetamiento y compruebe cada una de ellas con las piezas mostradas en la Figura 1, para asegurarse de que no falte ninguna pieza, antes de desechar cualquier material de empaquetamiento.

Si falta alguna pieza, no enchufe el cable de alimentación ni ponga el interruptor en la posición de encendido hasta que las piezas que falten se hayan obtenido y se hayan instalado correctamente.

Ensamblaje

Herramientas necesarias para el ensamblaje y la alineación

Destornillador Phillips No. 2



Llave de tuercas combinada de 9/16" / (14 mm)

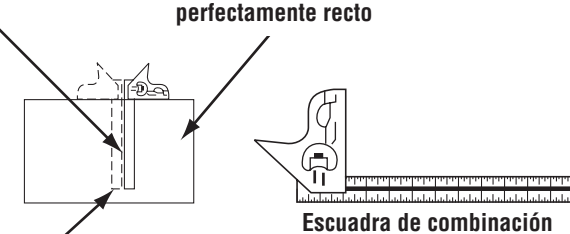


La escuadra de combinación debe estar alineada

Trace una línea ligera sobre la tabla a lo largo de este borde

Borde recto de la tabla de 3/4" de grosor. Este borde debe ser perfectamente recto

No debe haber espacio libre ni superposición cuando se dé la vuelta a la escuadra sobre la posición marcada con una línea de puntos



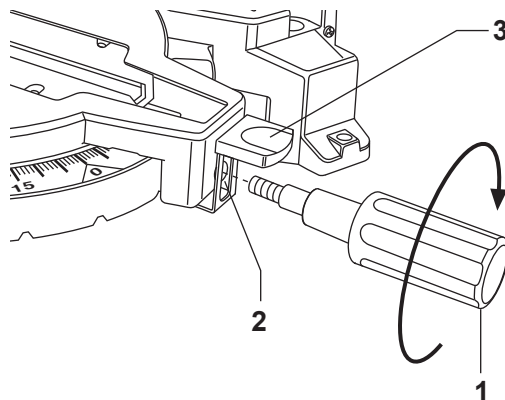
Escuadra de combinación

ADVERTENCIA Desconecte el enchufe de la fuente de energía antes de realizar cualquier ensamblaje, ajuste o reparación para evitar posibles lesiones.

Assembly

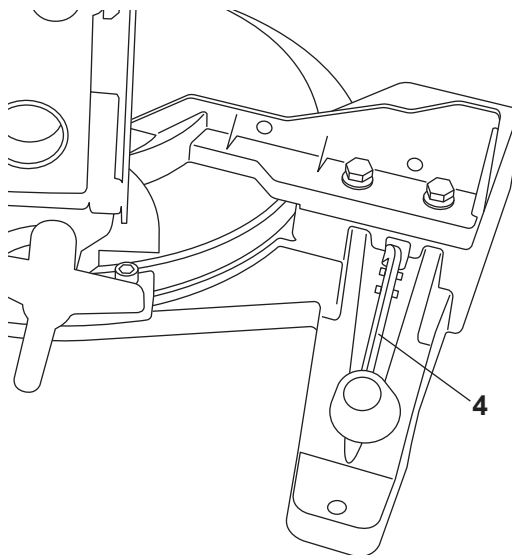
Installation of Miter Lock Knob

1. Carefully thread the miter lock knob **1** into the hole **2** located at the front of the miter table (Figure 2).
2. Turn the miter lock knob clockwise to tighten. Do Not Over Tighten.
3. Loosen handle 1/4 turn or more and press down on the miter handle release **3** to unlock the miter table from the set position. To lock, tighten the handle.

**FIG. 2**

Store the Saw Blade Wrench

Store the blade wrench **4** in the clip at the rear of the saw base to prevent loss (Figure 4).

**FIG. 3**

Assemblage

Installation du bouton de verrouillage d'onglet

1. Enfilez soigneusement le bouton de verrouillage d'onglet **1** dans le trou **2** qui est situé à l'avant de la table de la scie à onglet (Figure 2).
2. Tournez le bouton de verrouillage d'onglet dans le sens des aiguilles d'une montre pour serrer. Ne serrez pas excessivement.
3. Desserrez la poignée d'un quart de tour ou plus et appuyez sur la surface de libération de la poignée d'onglet **3** pour déverrouiller la table de la scie à onglet de la position dans laquelle elle se trouvait. Pour verrouiller, serrez la poignée.

Rangement de la clé à lame de scie

Rangez la clé à lame **4** dans la pince qui est située à l'arrière de la base de la scie pour ne pas risquer de la perdre (Figure 3).

Ensamblaje

Instalación del pomo de fijación de inglete

1. Enrosque cuidadosamente el pomo de fijación de inglete **1** en el agujero **2** ubicado en la parte delantera de la mesa de inglete (Figura 2).
2. Gire el pomo de fijación de inglete en el sentido de las agujas del reloj para apretarlo. No lo apriete excesivamente.
3. Afloje el mango 1/4 de vuelta o más y presione hacia abajo sobre el dispositivo de liberación del mango de inglete **3** para desbloquear la mesa de inglete de la posición en la que esté ajustada. Para fijarla, apriete el mango.

Almacenamiento de la llave de tuerca para la hoja de sierra

Almacene la llave de tuerca para la hoja de sierra **4** en la pinza ubicada en la parte trasera de la base de la sierra, para evitar que se pierda (Figura 3).

Assembly

Installing the Dust Bag

1. With the miter arm locked in the down position, compress the two tabs on the spring clip and slide the bag over the rib on the dust port (Figure 5) then release the tabs.
2. Position dust bag so that it does not interfere with the tool during the cutting operation for all miter/bevel settings.
3. The dust bag requires emptying when full of sawdust. Empty it frequently and after completion of sawing. Carefully remove dust bag from dust elbow to empty. Be extremely careful of dust disposed, materials in fine particle form may be explosive. Do not throw sawdust on an open fire. Spontaneous combustion, may in time, result from mixture of oil or water with dust particles.

⚠ WARNING When sawing chemically pressure treated lumber, paint that may be lead based, or any other materials that may contain carcinogens, use special precautions. A suitable respirator must be worn by all personnel entering the work area. Work area should be sealed by plastic sheeting and persons not protected should be kept out until work area is thoroughly cleaned.

Installing the Vise Clamp

Install the vise clamp **1** in the mounting hole **2** provided on either side of the base front (Figure 6).

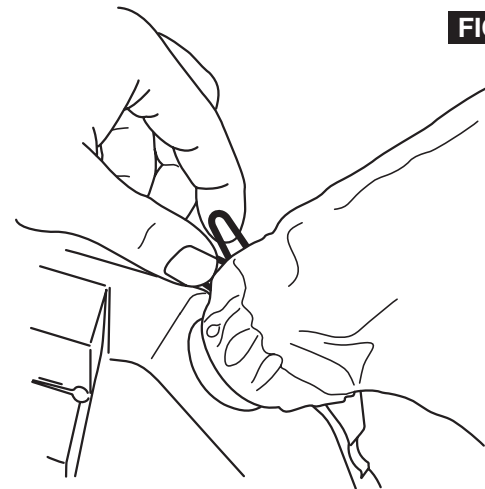


FIG. 5

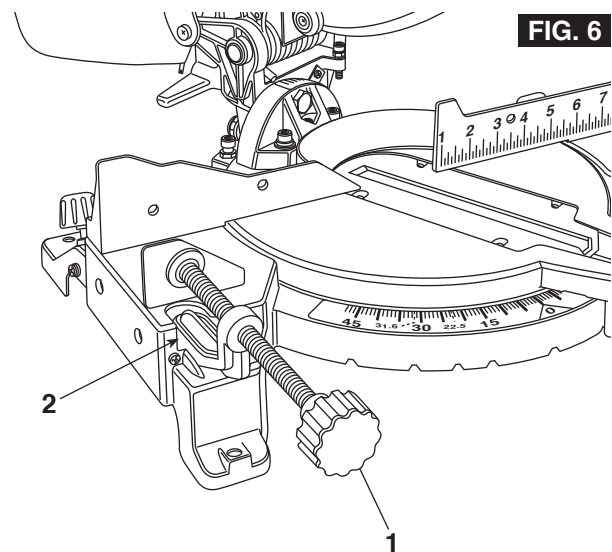


FIG. 6

Assemblage

Installation du sac à poussière

1. Après avoir placé le bras d'onglet en position abaissée, comprimez les deux languettes sur la pince à ressort et faites glisser le sac au-dessus de la nervure sur l'orifice de dépoussiérage (Figure 5), puis relâchez les languettes.
2. Positionnez le sac à poussière de façon qu'il ne fasse pas obstacle au mouvement de l'outil pendant l'opération de coupe quel que soit le réglage de l'onglet ou du biseau.
3. Il faut vider le sac à poussière quand il est rempli de sciure. Videz-le fréquemment et après avoir terminé une opération de sciage. Retirez soigneusement le sac à poussière du coude à poussière pour le vider. Faites extrêmement attention quand vous jetez de la poussière accumulée car des matériaux sous forme de fines particules peuvent être explosives. Ne jetez pas de sciure sur un feu vif. Une combustion spontanée peut également se produire à la suite d'un mélange entre de l'huile ou de l'eau et des particules de poussières.

⚠ AVERTISSEMENT Prenez des précautions appropriées lorsque vous sciez du bois d'oeuvre traité sous pression avec des produits chimiques, une surface avec de la peinture pouvant contenir du plomb ou d'autres matériaux qui peuvent contenir des agents cancérigènes. Toutes les personnes entrant dans la zone de travail doivent porter un respirateur approprié. La zone de travail doit être scellée avec des feuilles de plastique, et les personnes qui ne sont pas protégées doivent rester en dehors de la zone de travail avant qu'elle ne soit complètement nettoyée.

Installation de la bride de fixation pour l'étau

Installez la bride de fixation pour l'étau **1** dans le trou de montage **2** prévu de l'un quelconque des côtés de l'avant de la base (Figure 6).

Ensamblaje

Instalación de la bolsa para polvo

1. Con el brazo de inglete fijo en la posición hacia abajo, comprima las dos lengüetas ubicadas en la pinza de resorte, deslice la bolsa sobre la acanaladura ubicada en el orificio para polvo (Figura 5) y luego suelte las lengüetas.
2. Posicione la bolsa para polvo de manera que no interfiera con la herramienta durante la operación de corte para todos los ajustes de inglete y bisel.
3. Es necesario vaciar la bolsa para polvo cuando esté llena de aserrín. Vacíela frecuentemente y después de completar la operación de aserrado. Retire cuidadosamente la bolsa para polvo del codo para polvo con el fin de vaciarla. Tenga sumo cuidado con el polvo desechado, ya que los materiales en forma de partículas finas pueden ser explosivos. No arroje aserrín a un fuego al descubierto. Con el tiempo se puede producir una combustión espontánea como resultado de la mezcla de aceite o agua con las partículas de polvo.

⚠ ADVERTENCIA Cuando aserre madera de construcción tratada químicamente a presión, pintura que pueda ser a base de plomo o cualquier otro material que pueda contener cancerígenos, use precauciones especiales. Todo el personal que entre al área de trabajo debe usar un respirador adecuado. El área de trabajo se debe sellar con cubiertas colgantes de plástico y se debe mantener fuera de dicha área a las personas que no estén protegidas, hasta que el área de trabajo se haya limpiado completamente.

Instalación de la abrazadera tipo prensa de tornillo

Instale la abrazadera tipo prensa de tornillo **1** en el agujero de montaje **2** provisto en cualquiera de los dos lados de la parte delantera de la base (Figura 6).

Assembly

Removal and Installation of the Blade

WARNING Disconnect plug from power source before performing any assembly, adjustment or repair to avoid possible injury.

NOTE: Clean blade of any excess oil before installation.

1. Push the handle down slightly and pull the head assembly lock pin **8** completely out, and raise the head assembly to the up position (Figure 7).
2. Loosen, but do not remove, the rear guard plate screw **2** (Figure 8).
3. Lift up the lower guard and loosen, but do not remove the guard plate front screw **1** (Figure 8).
4. The guard plate should rotate up (counter-clockwise) to expose the blade bolt **5** (Figure 8).
5. Push in the arbor lock **3** to hold the blade (Figure 7). Using the hex wrench supplied with the saw, turn the blade bolt **5** clockwise to remove it (Figure 8).

NOTE: The blade bolt **5** has a left hand thread.

6. Remove the blade bolt **5**, blade collar **6** and the blade. Inner washer **7** does not need to be removed (Figure 9).
7. Clean any sawdust from both blade collars before installing the blade. Install a 10" (25.4 cm) blade.

NOTE: Make sure the rotation arrow on the blade matches the rotation arrow on the lower guard.

WARNING To avoid injury, do not use saw blade rated less than 5000/min(RPM). Do not use a blade larger or smaller than 10" diameter and 5/8" arbor.

8. Install the blade collar **6** in the proper orientation, then install blade bolt **5** (Figure 9). Tighten blade bolt **5** finger tight. Press the arbor lock and tighten blade bolt **5** securely, but do not overtighten.
9. Align the guard plate with the guard plate screw hole and tighten the guard plate front screw **1** (Figure 8).
10. Rotate the lower guard down to tighten the guard plate rear screw **2** (Figure 8).

WARNING Never use saw without cover plate securely in place. Lower guard will not function properly.

11. Be sure the arbor lock is released so the blade turns freely. Verify that the lower guard rotates fully and closes properly.

WARNING After installing a new blade, lower the blade into the table slot and check for any contact with the base or turn table structure. If blade contacts table, seek authorized service.

Using Carbide-Tipped Blades

Handle carbide-tipped blades carefully. Carbide is very brittle and can be easily damaged. Use caution when you install,

FIG. 7

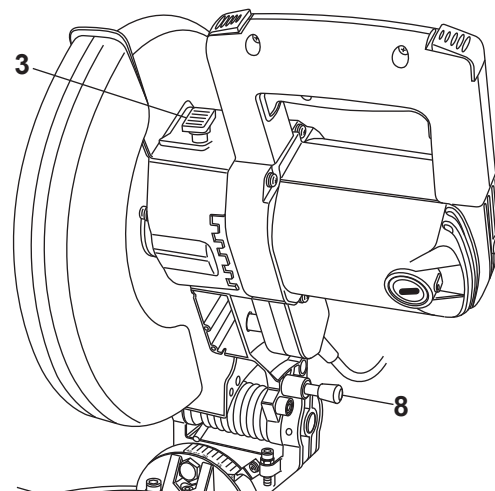


FIG. 8

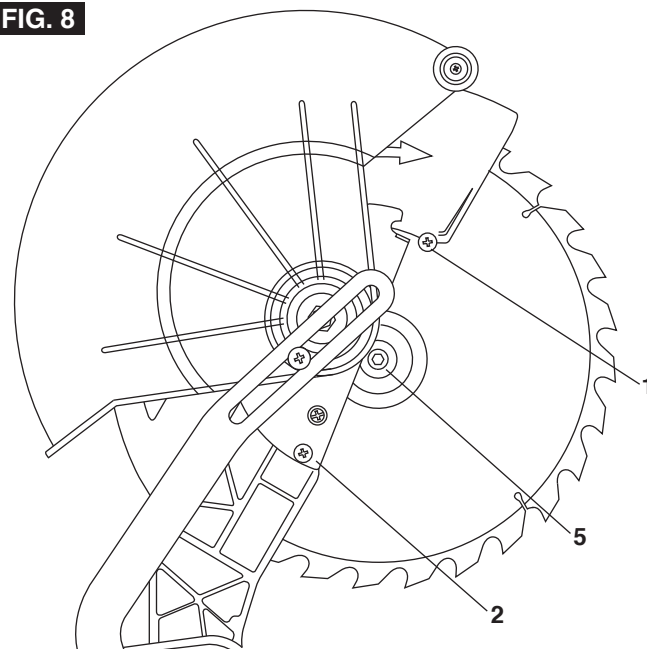
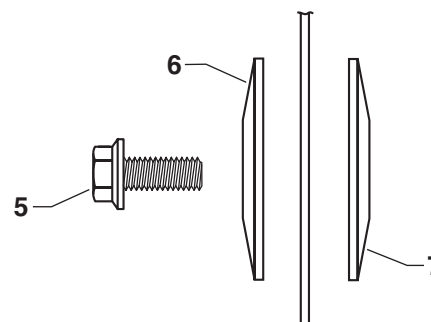


FIG. 9



use or store the blades. Do not use a carbide-tipped blade that is bent or has bent teeth, or if the blade has cracks, is broken, or has missing/loose carbide tips. Do not operate a carbide-tipped blade faster than its recommended speed.

Read, understand and follow all warnings and instructions provided with your carbide-tipped blades.

Assemblage

Retrait et installation de la lame

AVERTISSEMENT Débranchez la fiche de la prise de courant avant de procéder à de quelconques opérations d'assemblage, de réglage ou de réparation afin d'éviter tout risque de blessure.

REMARQUE : nettoyez la lame en cas d'accumulation d'huile avant l'installation.

1. Appuyez légèrement sur la poignée et tirez sur la cheville de blocage de la tête **8** de façon à la faire sortir complètement, puis soulevez la tête pour la mettre en position élevée (Figure 7).
2. Desserrez, mais sans la retirer complètement, la vis arrière de fixation de la plaque du dispositif de protection **2** (Figure 8).
3. Soulevez le dispositif de protection inférieur et desserrez-le, mais ne retirez pas la vis avant de la plaque du dispositif de protection **1** (Figure 8).
4. La plaque du dispositif de protection doit pouvoir tourner vers le haut (dans le sens contraire des aiguilles d'une montre) de manière à exposer le boulon de retenue de la lame **5** (Figure 8).
5. Appuyez sur le dispositif de verrouillage de l'arbre **3** pour maintenir la lame en place (Figure 8). En utilisant la clé hexagonale **4** qui est fournie avec la scie, tournez le boulon de fixation de la lame **5** dans le sens des aiguilles d'une montre pour le retirer (Figure 9).

REMARQUE : le boulon de fixation de la lame **5** a un filet orienté vers la gauche.

6. Retirez le boulon de fixation de la lame **5**, le collier de la lame **6** et la lame. Il n'est pas nécessaire de retirer la rondelle intérieure **7** (Figure 10).
7. Nettoyez la sciure qui a pu s'accumuler sur les colliers de la lame avant d'installer la lame. Installez une lame de 10 po (25,4 cm).

REMARQUE : assurez-vous que le sens de la flèche de rotation sur la lame est le même que celui de la flèche de rotation sur le dispositif de protection inférieur.

AVERTISSEMENT Pour ne pas risquer de blessures, n'utilisez pas de lame de scie fonctionnant nominalement à moins de 5 000 tr/mn. N'utilisez pas de lame plus grande ou plus petite que 10 pouces (25 cm) de diamètre avec un arbre de 5/8 po.

8. Installez le collier de la lame **6** dans le sens correct, puis installez le boulon de fixation de la lame **5** (Figure 10). Serrez le boulon de fixation de la lame **5** avec les doigts seulement. Appuyez sur le dispositif de verrouillage de l'arbre et serrez le boulon de fixation de la lame **5** à fond, mais sans serrer excessivement.
9. Alignez la plaque du dispositif de fixation sur le trou prévu pour recevoir la vis de fixation de la plaque du dispositif de protection, puis serrez la vis de fixation avant de la plaque du dispositif de protection **1** (Figure 8).
10. Faites tourner le dispositif de protection inférieur vers le bas pour serrer la vis arrière de la plaque du dispositif de protection **2** (Figure 8).

AVERTISSEMENT N'utilisez jamais une scie sans que la plaque de couverture ne soit solidement en place. Le dispositif de protection inférieur ne fonctionnerait pas correctement.

11. Assurez-vous que le dispositif de verrouillage de l'arbre est relâché pour que la lame puisse tourner librement. Vérifiez que le dispositif de protection inférieur tourne complètement et se ferme correctement.

AVERTISSEMENT Après avoir installé une nouvelle lame, abaissez la lame dans la fente de la table et assurez-vous qu'il n'y a pas de contact avec la base ou la structure de table tournante. Si la lame entre en contact avec la table, appelez un réparateur agréé.

Utilisation de lames à pointes au carbure

Manipulez les lames à pointes au carbure avec précaution. Le carbure est cassant et peut facilement être endommagé. Faites attention lorsque vous installez, utilisez ou rangez de telles lames. N'utilisez une lame à pointes au carbure qui est tordue ou a des dents tordues, ou si la lame est fissurée, est cassée ou a des pointes au carbure qui manquent ou sont desserrées. Ne faites pas fonctionner une lame à pointes au carbure plus vite que sa vitesse recommandée.

Lisez, comprenez et suivez tous les avertissements et toutes les instructions qui accompagnent vos lames à pointes au carbure.

Ensamblaje

Remoción e instalación de la hoja

ADVERTENCIA Desconecte el enchufe de la fuente de alimentación antes de realizar cualquier ensamblaje, ajuste o reparación, con el fin de evitar posibles lesiones.

NOTA: Antes de instalar la hoja, límpiela para quitar todo exceso de aceite.

1. Empuje el mango ligeramente hacia abajo, jale el pasador de fijación del ensamblaje del cabezal **8** completamente hacia fuera y suba el ensamblaje del cabezal hasta la posición hacia arriba (Figura 7).
2. Afloje, pero no retire, el tornillo trasero de la placa del protector **2** (Figura 8).
3. Levante el protector inferior y afloje, pero no retire, el tornillo delantero de la placa del protector **1** (Figura 8).
4. La placa del protector debería rotar hacia arriba (en sentido contrario al de las agujas del reloj) para dejar al descubierto el perno de la hoja **5** (Figura 8).
5. Empuje hacia dentro el cierre del eje portaherramienta **3** para sujetar la hoja (Figura 8). Utilizando la llave hexagonal **4** suministrada con la sierra, gire el perno de la hoja **5** en el sentido de las agujas del reloj para retirarlo (Figura 9).

NOTA: El perno de la hoja **5** es de rosca a izquierdas.

6. Retire el perno de la hoja **5**, el collarín de la hoja **6** y la hoja. No es necesario retirar la arandela interior **7** (Figura 10).
7. Retire todo el aserrín de ambos collarines de la hoja antes de instalar la hoja. Instale una hoja de 10 pulgadas (25,4 cm).

NOTA: Asegúrese de que la flecha de rotación ubicada en la hoja coincida con la flecha de rotación ubicada en el protector de la hoja.

ADVERTENCIA Para evitar lesiones, no utilice una hoja de sierra con capacidad nominal inferior a 5000/min (RPM). No utilice una hoja cuyo diámetro sea superior o inferior a 10 pulgadas, ni que sea para un eje portaherramienta superior o inferior a 5/8 de pulgada.

8. Instale el collarín de la hoja **6** en la orientación apropiada y luego instale el perno de la hoja **5** (Figura 10). Apriete el perno de la hoja **5** con los dedos. Presione el cierre del eje portaherramienta y apriete firmemente el perno de la hoja **5**, pero no lo apriete excesivamente.
9. Alinee la placa del protector con el agujero para el tornillo de la placa del protector y apriete el tornillo delantero de dicha placa del protector **1** (Figura 8).
10. Rote el protector inferior hacia abajo para apretar el tornillo trasero de la placa del protector **2** (Figura 8).

ADVERTENCIA No utilice nunca la sierra si no tiene la placa de cubierta colocada de manera segura en su sitio. El protector inferior no funcionará correctamente.

11. Asegúrese de que el cierre del eje portaherramienta esté suelto para que la hoja gire libremente. Verifique que el protector inferior rota completamente y se cierra correctamente.

ADVERTENCIA Después de instalar una hoja nueva, baje la hoja hasta el interior de la ranura de la mesa y compruebe si hay algún contacto con la base o con la estructura de la mesa giratoria. Si la hoja hace contacto con la mesa, obtenga servicio autorizado.

Utilización de hojas con puntas de carburo

Maneje con cuidado las hojas con puntas de carburo. El carburo es muy frágil y se puede dañar fácilmente. Tenga precaución cuando instale, utilice o almacene las hojas. No utilice una hoja con puntas de carburo que esté doblada o tenga dientes doblados, o si la hoja tiene grietas, está rota, le faltan puntas de carburo o tiene puntas de carburo flojas. No utilice una hoja con puntas de carburo a una velocidad mayor que la recomendada para dicha hoja.

Lea, entienda y siga todas las advertencias e instrucciones suministradas con las hojas con puntas de carburo.

Installation

Mounting Applications

Workbench

Mount the saw to the workbench using the four mounting holes (5/16" **1**) to the workbench (Figure 10). Check for clearance to the left and right of the saw.

1. Each of the four mounting holes **1** should be bolted securely using 5/16" flat head screws, lock washers, and hex nuts (not included).
2. Locate and mark where the saw is to be mounted.
3. Drill four (4) 5/16" diameter holes through workbench.
4. Place the compound miter saw on the workbench aligning holes in base with holes drilled in workbench. Install screws, lock washers and hex nuts.

Supporting surface where saw is to be mounted should be examined carefully after mounting to insure that no movement can occur during use. If any tipping or walking is noted, secure the workbench or stand before operating the compound miter saw.

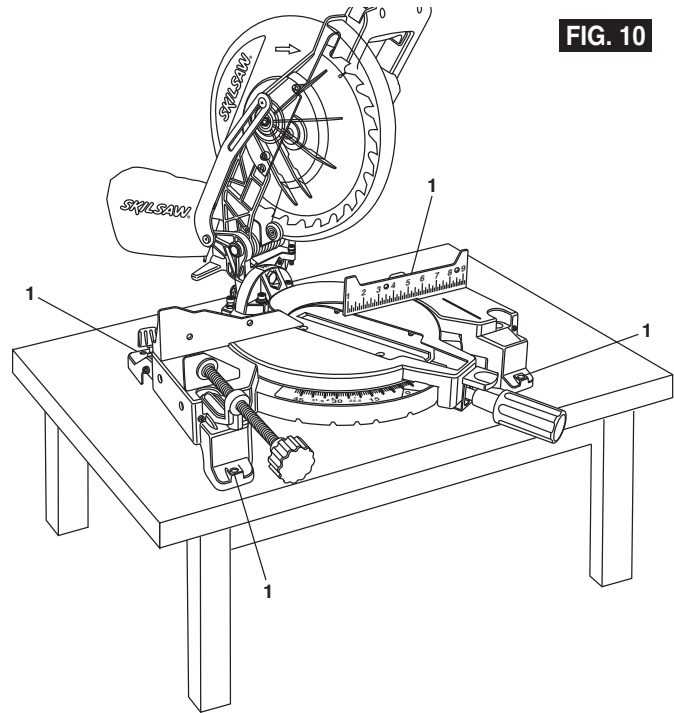


FIG. 10

Portable Mounting Using Clamps

- If necessary, clamp the compound miter saw to a workbench or table top.
- Place three or more "C" clamps on the clamping areas and secure (Figure 11).

NOTE: Always make sure you leave enough room in work area to accommodate long workpieces.

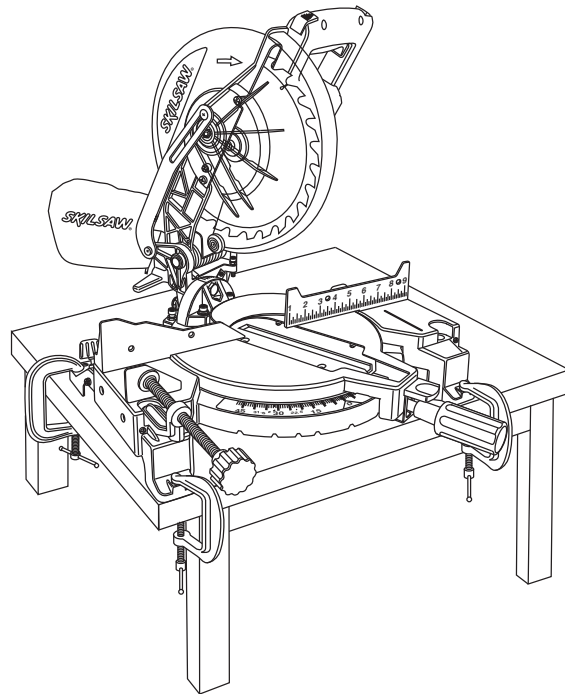


FIG. 11

Installation

Applications de montage

Établi

Montez la scie sur l'établi en utilisant les quatre (4) trous de boulon (5/16 po) **1**. Assurez-vous que le dégagement est suffisant à gauche et à droite de la scie (Figure 10).

1. Chacun des quatre (4) trous de montage doit être boulonné solidement à l'aide de vis à tête plate de 5/16 po, de rondelles d'arrêt et d'écrous hexagonaux (non fournis).
2. Repérez et marquez l'emplacement du montage de la scie.
3. Percez quatre (4) trous de 5/16 po de diamètre à travers l'établi.
4. Placez la scie à onglet composée sur l'établi en alignant les trous de la base sur ceux percés dans l'établi. Posez des vis, des rondelles d'arrêt et des écrous hexagonaux.

La surface d'appui où la scie doit être montée doit être examinée soigneusement après le montage pour s'assurer qu'il ne pourra y avoir aucun mouvement durant l'usage. En cas de basculement ou d'avance, fixez solidement l'établi ou le support avant d'utiliser la scie à onglet composée.

Montage portatif à l'aide de serre-joints

- Si besoin est, cramponnez la scie à onglet composée à un établi ou à une table.
- Placez au moins trois (2) serre-joints en C sur les surfaces de cramponnage et fixez solidement (Figure 11).

REMARQUE : assurez-vous toujours que vous avez assez de place dans la zone de travail pour les ouvrages longs.

Instalación

Aplicaciones de montaje

Banco de trabajo

Monte la sierra en el banco de trabajo utilizando los cuatro (4) agujeros para pernos (de 5/16") **1**. Compruebe que hay espacio libre a la izquierda y a la derecha de la sierra (Figura 10).

1. Cada uno de los cuatro (4) agujeros de montaje debe atornillarse firmemente usando tornillos de cabeza plana de 5/16", arandelas de seguridad y tuercas hexagonales (no se incluyen).
2. Localice y marque donde se va a montar la sierra.
3. Taladre cuatro (4) agujeros de 5/16" de diámetro a través del banco de trabajo.
4. Coloque la sierra para cortar ingletes compuestos sobre el banco de trabajo alineando los agujeros de la base con los agujeros hechos en el banco de trabajo. Instale los tornillos, las arandelas de seguridad y las tuercas.

La superficie de soporte donde se va a montar la sierra se debe examinar cuidadosamente después de montarla para asegurarse de que no se pueda producir ningún movimiento durante la utilización. Si se observa alguna inclinación o desplazamiento, fije el banco de trabajo o la base para la herramienta antes de utilizar la sierra para cortar ingletes compuestos.

Montaje portátil usando abrazaderas

- Si es necesario, fije con abrazaderas la sierra para cortar ingletes compuestos a un banco de trabajo o a un tablero de mesa.
- Coloque tres (2) o más abrazaderas en "C" en las áreas de fijación con abrazadera y fíjelas (Figura 11).

NOTA: Asegúrese siempre de dejar suficiente espacio en el área de trabajo para acomodar las piezas de trabajo largas.

Installation

Mounting Applications

Mounting the Miter Saw to the Stand

(Not included, available as accessory)

See Figures 12 - 13.

1. Rotate the two quick clamp knobs **1** on each side of the rear portion saw base counterclockwise until the clamps are retracted as far as it will go.
2. Lift the saw, allowing it to tilt slightly away from your body.
3. While still tilted away from you, hook the rear edge of the saw base onto the rear rail **2** of the stand, figure 12.

⚠ WARNING To avoid serious personal injury, make sure the curved rear edge of the saw base and clamps are securely seated over the rear rail before seating the other end of the saw base. Failure to do so could cause you to lose control of the saw mounting assembly.

4. Lower the saw to allow the front edge of the saw base to seat fully over the front rail, figure 13.
5. Check position and adjust, if necessary, to make sure the weight of the saw is evenly balanced over the rails as shown in figure 13.
6. Rotate the two quick lock knobs **1** clockwise and securely tighten.
7. Ensure the saw base is fully seated and locked in position.

To remove saw from stand:

1. Rotate the two quick clamp knobs counter clockwise.
2. Lift the saw away from the front rail of the stand to disengage.
3. With the assembly tilted slightly away from you, lift the rear part of the saw base to disengage from the front rail of the stand.

FIG. 12

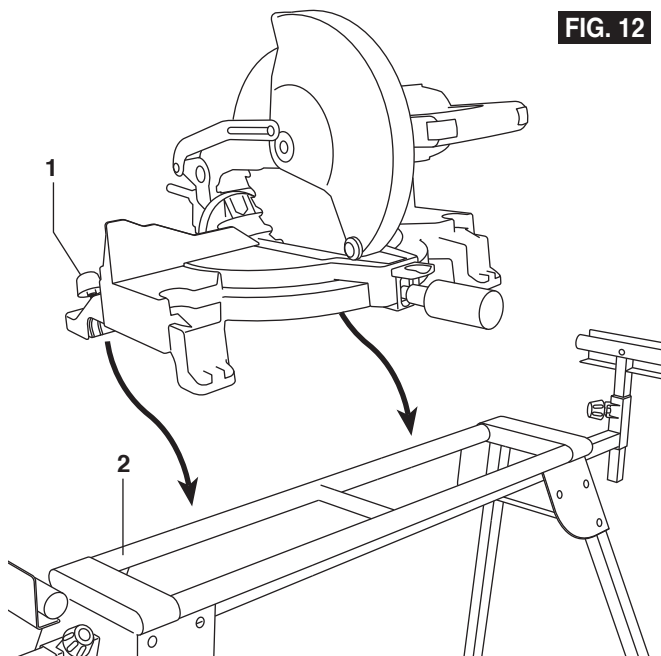
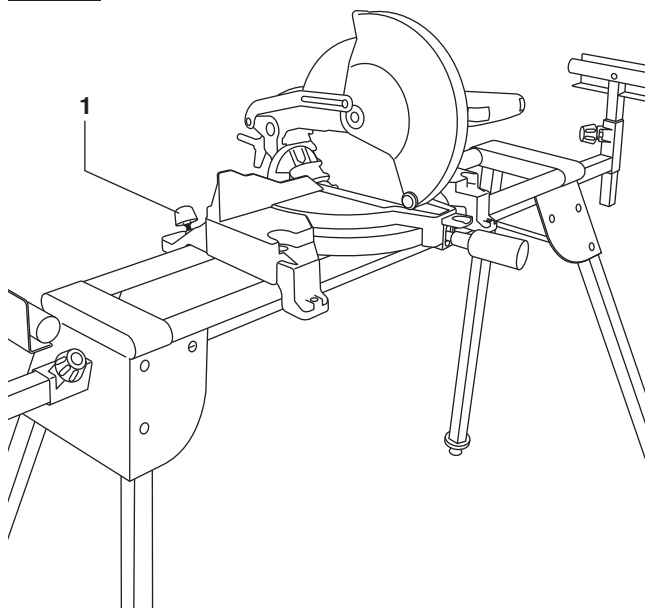


FIG. 13



Installation

Montage de la scie à onglet sur le support (Non fourni, disponible à titre d'accessoire)

Voir Figures 12 –13.

1. Faites tourner les deux boutons de serrage rapide des brides de fixation **1** de chaque côté de la partie arrière de la base de la scie dans le sens contraire des aiguilles d'une montre jusqu'à ce que les brides de fixation sont rétractées autant que possible.
2. Soulevez la scie en la laissant s'incliner légèrement dans le sens opposé à celui de votre corps.
3. Pendant que la scie est toujours inclinée légèrement dans le sens opposé à celui de votre corps, accrochez le bord arrière de la base de la scie au rail arrière **2** du support (Figure 12).

⚠ AVERTISSEMENT Pour ne pas risquer de subir de blessure grave, assurez-vous que le bord avant recourbé des dispositifs de fixation repose bien au-dessus du rail du devant avant de mettre en place l'autre bout des dispositifs de fixation. Si vous ne faites pas cela, vous risquez de perdre le contrôle de l'ensemble de montage de la scie.

4. Abaissez la scie afin de permettre au bord avant de la base de la scie de reposer complètement au-dessus du rail avant (Figure 13).
5. Vérifiez la position et effectuez un réglage si besoin est pour vous assurer que le poids de la scie est équilibré uniformément au-dessus des rails comme illustré à la Figure 13.
6. Faites tourner les deux boutons de blocage rapide **1** dans le sens des aiguilles d'une montre et serrez-les fermement.
7. Assurez-vous que la base de la scie est bien en place et est verrouillée en place.

Pour retirer la scie du support :

1. Faites tourner les deux boutons de serrage rapide des brides de fixation dans le sens contraire des aiguilles d'une montre.
2. Soulevez la scie pour la détacher du rail avant du support afin de la désengager.
3. Avec l'ensemble toujours incliné légèrement dans le sens opposé à celui de votre corps, soulevez la partie arrière de la base de la scie afin de la désengager du rail avant du support.

Instalación

Montaje de la sierra para cortar ingletes en la base de soporte

(No incluida, disponible como accesorio)

Vea las Figuras 12 - 13.

1. Gire los dos pomos de fijación rápida **1**, ubicados a cada lado de la parte trasera de la base de la sierra, en sentido contrario al de las agujas del reloj hasta que las abrazaderas se hayan retraído tanto como sea posible.
2. Levante la sierra, permitiendo que se incline ligeramente de manera que se aleje de su cuerpo.
3. Mientras la sierra aún está inclinada alejándose de usted, enganche el borde trasero de la base de la sierra en el riel trasero **2** de la base de soporte, figura 12.

⚠ ADVERTENCIA Para evitar lesiones corporales graves, asegúrese de que el borde delantero curvo de los soportes de montaje esté firmemente asentado sobre el riel delantero antes de asentar el otro extremo de los soportes. Si no se hace así, el resultado podría ser que usted pierda el control del ensamblaje de montaje de la sierra.

4. Baje la sierra para permitir que el borde delantero de la base de la sierra se asiente completamente sobre el riel delantero, figura 13.
5. Compruebe la posición y ajústela, si es necesario, para asegurarse de que el peso de la sierra este balanceado uniformemente sobre los rieles, de la manera que se muestra en la figura 13.
6. Rote los dos pomos de fijación rápida **1** en el sentido de las agujas del reloj y apriételes firmemente.
7. Asegúrese de que la base de la sierra esté completamente asentada y fija en la posición correcta.

Para retirar la sierra de la base de soporte:

1. Gire los dos pomos de fijación rápida en sentido contrario al de las agujas del reloj.
2. Levante la sierra alejándola del riel delantero de la base de soporte para desacoplarla.
3. Con el ensamblaje ligeramente inclinado de manera que se aleje de usted, levante la parte trasera de la base de la sierra para desacoplarla del riel delantero de la base de soporte.

Adjustments

⚠ WARNING Disconnect plug from power source before performing any assembly, adjustment or repair to avoid possible injury.

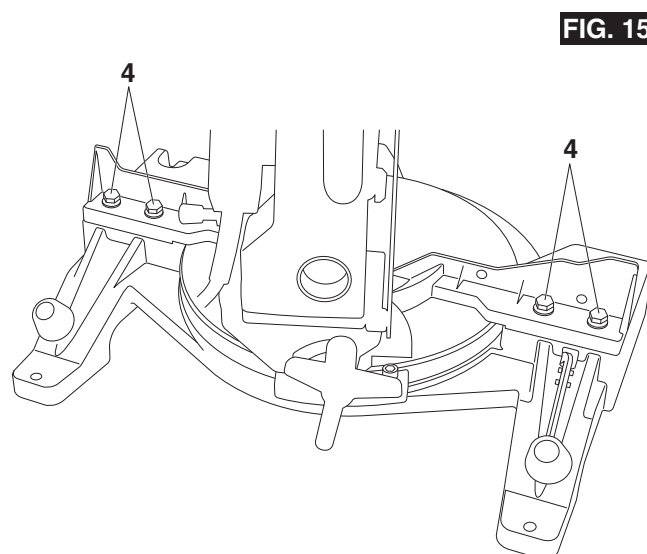
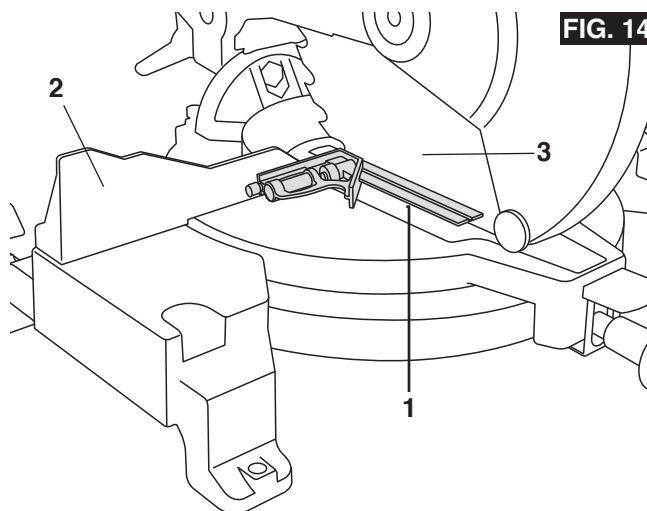
NOTE: Your compound miter saw was completely adjusted at the factory. However, during shipment, slight misalignment may have occurred. Check the following settings and adjust if necessary prior to using this compound miter saw.

Blade -To-Fence Adjustment

Make sure the blade is square to the fence.

1. Lock the handle in the down position.
2. Hold a combination square **1** against the fence **2** and next to the blade **3** (Figure 14). Avoid touching the saw teeth with the square. The set in the blade's teeth will hold the square away from the blade. The blade should contact the full length of the square.
3. If the blade does not contact the full length of the square, loosen the four fence adjustment screws **4** using a 9/16" (14 mm) socket or wrench (not provided) (Figure 15).
4. Hold the square against the blade. Move the fence until it contacts the full length of the square.
5. Tighten the fence adjustment screws **4**.

NOTE: The combination square and wrench are not provided.



Réglages

AVERTISSEMENT Débranchez la fiche de la prise de courant avant de procéder à de quelconques opérations d'assemblage, de réglage ou de réparation afin d'éviter tout risque de blessure.

REMARQUE : votre scie à onglets composés a été réglée complètement à l'usine. Il est toutefois possible que l'alignement ait été affecté quelque peu pendant le transport. Vérifiez les paramètres suivants et procédez aux réglages nécessaires avant d'utiliser cette scie à onglets composés.

Réglage de la lame par rapport au guide

Assurez-vous que la lame est perpendiculaire au guide.

1. Verrouillez la poignée en position abaissée.
2. Tenez une équerre combinée **1** contre le guide **2** et à côté de la lame **3** (Figure 14). Évitez de mettre les dents de la scie en contact avec l'équerre. L'inclinaison des dents de la scie maintiendra l'équerre à distance de la lame. La lame doit être en contact avec toute la longueur de l'équerre.
3. Si la lame n'est pas en contact avec toute la longueur de l'équerre, desserrez les quatre vis de réglage du guide **4** en utilisant une clé ou douille de 9/16 po (14 mm) (non fournie) (Figure 15).
4. Maintenez l'équerre contre la lame. Déplacez le guide jusqu'à ce qu'il soit en contact avec toute la longueur de l'équerre.
5. Serrez les vis de réglage du guide **4**.

REMARQUE : l'équerre à combinaison et la clé ne sont pas fournies.

Ajustes

ADVERTENCIA Desconecte el enchufe de la fuente de alimentación antes de realizar cualquier ensamblaje, ajuste o reparación, con el fin de evitar posibles lesiones.

NOTA: La sierra para cortar ingletes compuestos se ajustó completamente en la fábrica. Sin embargo, puede que durante el transporte se haya producido una ligera desalineación. Compruebe las posiciones siguientes y ajústelas si fuese necesario, antes de utilizar esta sierra para cortar ingletes compuestos.

Ajuste de la hoja respecto al tope-guía

Asegúrese de que la hoja esté en ángulo recto con el tope-guía.

1. Fije el mango en la posición hacia abajo.
2. Sujete una escuadra de combinación **1** contra el tope-guía **2** y junto a la hoja **3** (Figura 14). Evite tocar los dientes de la hoja de sierra con la escuadra. El triscado de los dientes de la hoja sujetará la escuadra alejada de la hoja. La hoja debe hacer contacto con toda la longitud de la escuadra.
3. Si la hoja no hace contacto con toda la longitud de la escuadra, afloje los cuatro tornillos de ajuste del tope-guía **4** utilizando una llave de tubo o una llave de tuerca de 9/16 de pulgada (14 mm) (no suministradas) (Figure 15).
4. Sujete la escuadra contra la hoja. Mueva el tope-guía hasta que haga contacto con toda la longitud de la escuadra.
5. Apriete los tornillos de ajuste del tope-guía **4**.

NOTA: La escuadra de combinación y la llave de tuerca no se suministran.

Adjustments

Base-To-Blade Adjustment

Make sure blade is perpendicular to the base.

1. While lowering the blade, hold a combination square 1 against the base 2 and next to the blade 3 (Figure 16). Avoid touching the saw teeth with the square. The set in the blade's teeth will hold the square away from the blade. The blade should contact the full length of the square.
2. If the blade does not contact the full length of the square, adjust the bevel adjustment screw:

Loosen the bevel adjustment locknut 4 (Figure 17).

Hold the square against the base. Rotate the bevel adjustment screw 5, up or down, until the full length of the square is against the blade. Tighten the bevel adjustment screw locknut 4.
3. Make sure the bevel indicator is aligned with the bevel index 0° mark. If adjustment is necessary, loosen the bevel indicator screw 6 until the indicator aligns with the 0° mark (Figure 18).
4. Tighten the bevel indicator screw 6.

Bevel Stop Adjustment

Make sure the bevel stop screw is adjusted to 45°.

If adjustment is necessary:

1. Loosen the bevel lock knob 7.
2. Loosen the bevel stop locknut 8 (Figure 19).
3. Rotate the bevel stop adjustment screw 9, up or down, until the full length of the 45 square is against the blade (Figure 20).
4. Tighten the bevel stop locknut 1.

FIG. 16

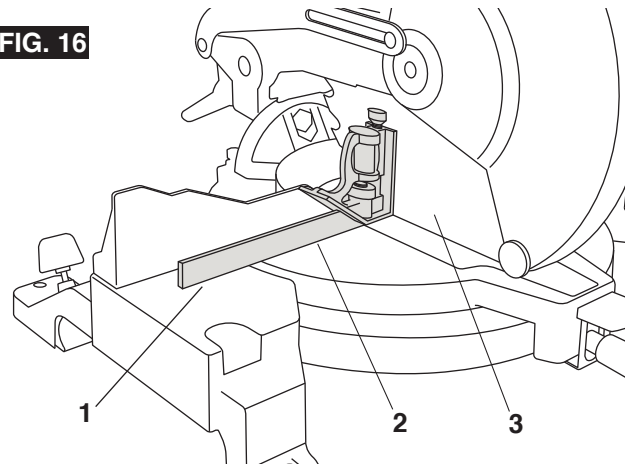


FIG. 17

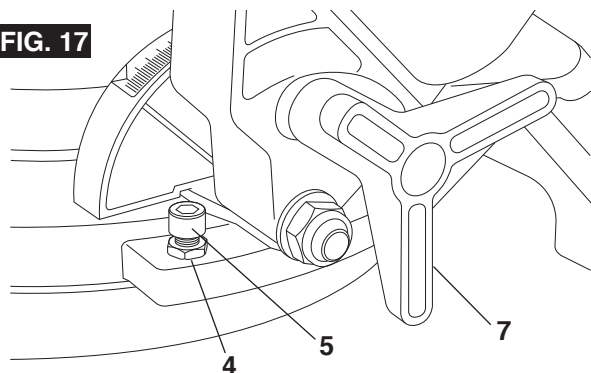


FIG. 18

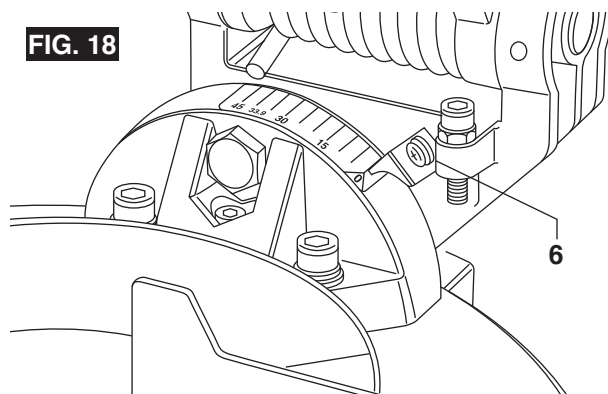


FIG. 20

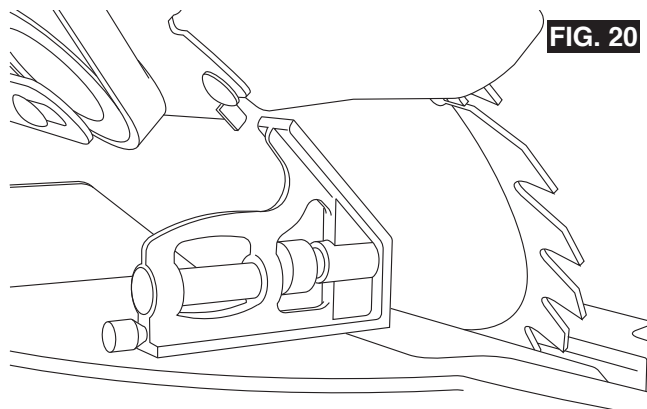
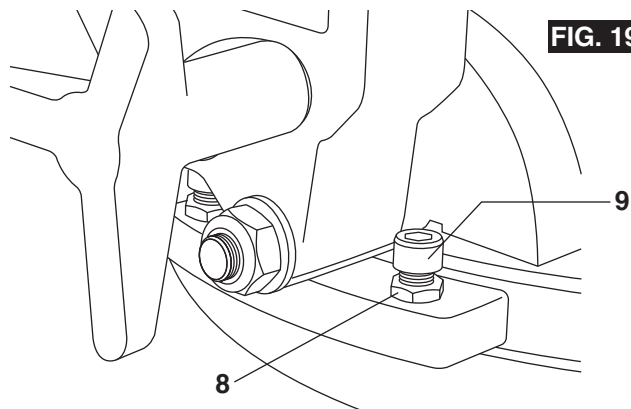


FIG. 19



Réglages

Réglage de la base par rapport à la lame

Assurez-vous que la lame est perpendiculaire à la base.

1. Tout en abaissant la lame, maintenez une équerre à combinaison **1** contre la base **2** et adjacente à la lame **3** (Figure 16). Évitez de mettre les dents de la scie en contact avec l'équerre. L'inclinaison des dents de la scie maintiendra l'équerre à distance de la lame. La lame doit être en contact avec toute la longueur de l'équerre.

2. Si la lame n'est pas en contact avec toute la longueur de l'équerre, ajustez la vis de réglage du biseau :

Desserrez le contre écrou de réglage du biseau **4** (Figure 17).

Maintenez l'équerre contre la base. Faites tourner la vis de réglage du biseau **5** vers le haut ou vers le bas jusqu'à ce que toute la longueur de l'équerre soit contre la lame. Serrez le contre-écrou de la vis de réglage du biseau **4**.

3. Assurez-vous que l'indicateur de biseau soit aligné avec le repère 0° de l'index de position de biseau. Si un réglage est nécessaire, desserrez la vis de l'indicateur de biseau **6** jusqu'à ce que l'indicateur s'aligne avec le repère 0° (Figure 18).
4. Serrez la vis d'indicateur de biseau **6**.

Réglage de la butée de biseau

Assurez-vous que la vis de réglage de la butée de biseau est réglée à 45°.

1. Desserrez le bouton de verrouillage de biseau.
2. Desserrez le contre-écrou de la butée de biseau **1** (Figure 19).
3. Faites tourner la vis de réglage de la butée de biseau **9** vers le haut ou vers le bas, jusqu'à ce que toute la longueur de l'équerre à 45° soit alignée contre la lame (Figure 20).
4. Serrez le contre-écrou de la butée de biseau **1**.

Ajustes

Ajuste de la base respecto a la hoja

Asegúrese de que la hoja esté perpendicular a la base.

1. Mientras baja la hoja, sujete una escuadra de combinación **1** contra la base **2** y junto a la hoja **3** (Figura 16). Evite tocar los dientes de la hoja de sierra con la escuadra. El triscado de los dientes de la hoja sujetará la escuadra alejada de la hoja. La hoja debería hacer contacto con toda la longitud de la escuadra.

2. Si la hoja no hace contacto con toda la longitud de la escuadra, ajuste el tornillo de ajuste de bisel:

Afloje la tuerca de fijación del ajuste de bisel **4** (Figura 17).

Sujete la escuadra contra la base. Gire el tornillo de ajuste de bisel **5**, hacia arriba o hacia abajo, hasta que toda la longitud de la escuadra esté contra la hoja. Apriete la tuerca de fijación del tornillo de ajuste de bisel **4**.

3. Asegúrese de que el indicador de bisel esté alineado con la marca de 0° del índice de bisel. Si es necesario realizar algún ajuste, afloje el tornillo del indicador de bisel **6** hasta que el indicador se alinee con la marca de 0° (Figura 18).
4. Apriete el tornillo del indicador de bisel **6**.

Ajuste del tope de bisel

Asegúrese de que el tornillo de tope de bisel esté ajustado a 45°.

1. Afloje el pomo de fijación de bisel.
2. Afloje la tuerca de fijación del tope de bisel **1** (Figura 19).
3. Gire el tornillo de ajuste del tope de bisel **9**, hacia arriba o hacia abajo, hasta que toda la longitud de la escuadra de 45 grados esté contra la hoja (Figura 20).
4. Apriete la tuerca de fijación del tope de bisel **1**.

Basic Saw Operations

Body and Hand Position

WARNING Position your body and hands properly to make cutting easier and safer. Observe the following instructions (Figure 21).

- **Never place hands near cutting area. Keep hands outside the “No Hands Zone”.** The “No Hands Zone” is defined as the area between marked lines on the left and right side of the Base, including the entire Table and portion of the Fence within these marked lines. This zone is labeled by “No Hands” symbols placed just inside the marked lines on the Base. The marked “No Hands Zone” on the product is valid for making cut at zero miter and zero bevel. When making cut other than at zero miter and zero bevel setting, always check to ensure your hand is placed at least six (6) inches away from the projected path of the saw blade.

Always use clamp to hold workpiece against the table and fence when making compound miter cuts. Do not support by hand.

- Hold workpiece firmly to the fence to prevent movement.
- Keep hands in position until trigger has been released and blade has stopped completely.
- Keep feet firmly on the floor and maintain proper balance.
- Follow the miter arm when mitering left or right. Stand slightly to the side of the saw blade.
- Sight through the lower guard if following a pencil line.
- Before making any cut, with the power off, lower the blade to preview the blade path.

WARNING The lower guard may not automatically open under certain cutting conditions. If this occurs:

- Typically this may occur when trying to cut workpieces that are near the maximum cutting height capacity. Under these conditions, the workpiece can stop the lower guard movement before the downward motion of the arm could preopen the lower guard. If this occurs:
- Workpiece must be securely clamped. This frees your left hand to raise the guard 1 by the lip 2 just enough to clear the workpiece (Figure 22).
- Start the saw and begin your cut.
- Once you have cleared the position where the lower guard may bind, release the guard and it will continue to raise automatically as you cut.

WARNING Be aware of the path of the saw blade. Make a dry run with the saw OFF by conducting a simulated cutting cycle, and observe the projected path of the saw blade. Keep hands at least six (6) inches away from the projected path of the saw blade.

DRY RUN—It is important to know where the blade will intersect with the workpiece during cutting operations. Always perform the simulated cutting sequence with the power tool switched OFF to gain an understanding of the projected

path of the saw blade. Mentally note where the path of saw blade will fall and set up your work to keep your hands and arms at least six (6) inches away from the projected path of the spinning blade. Adjust your clamps and fences so that the smooth lower guard and cutting action is not interfered with during cutting operation.

FIG. 21

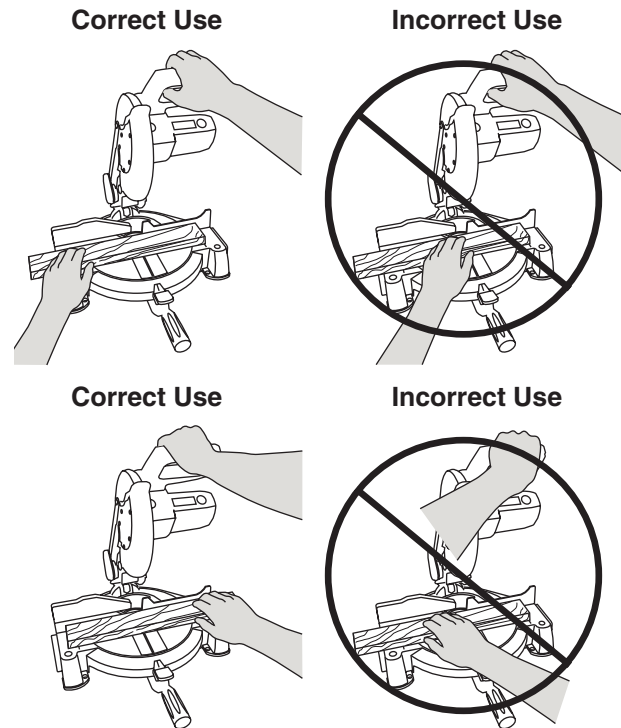
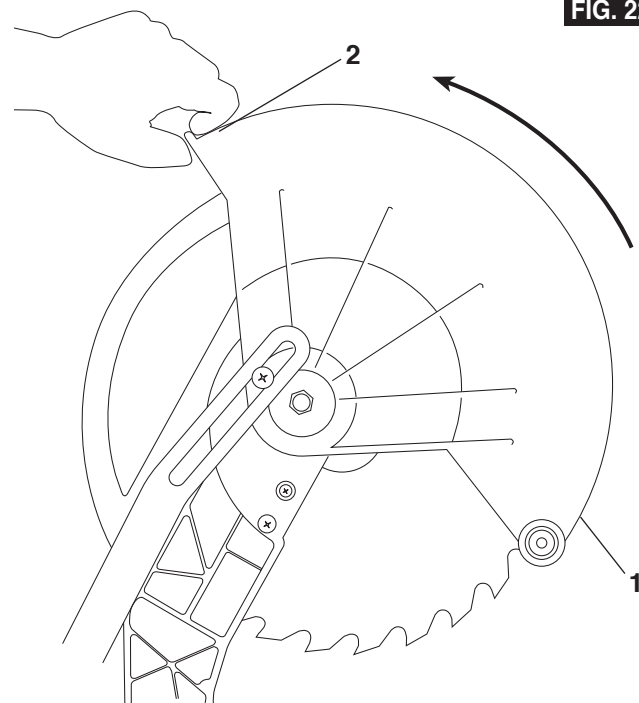


FIG. 22



Opérations de base de la scie

Position du corps et des mains

AVERTISSEMENT Positionnez votre corps et vos mains adéquatement pour rendre la coupe plus facile et plus sûre. Observez les instructions suivantes (Figure 21).

- **Ne placez jamais les mains à proximité de l'aire de coupe. Gardez les mains à l'extérieur de la zone interdite aux mains.** La zone interdite aux mains se définit comme la zone entre les lignes marquées sur les côtés gauche et droit de la base, y compris toute la table et une partie du guide à l'intérieur de ces lignes marquées. Cette zone est identifiée par les symboles d'interdiction aux mains placés immédiatement à l'intérieur des lignes marquées sur la base. La zone identifiée comme étant interdite aux mains sur le produit est valide pour effectuer une coupe à un angle d'onglet 0 et à un angle de biseau 0. Lorsque vous effectuez une coupe autre qu'avec un réglage d'onglet 0 et de biseau 0, vérifiez toujours pour vous assurer que votre main est placée à au moins six (6) pouces de la trajectoire prévue pour la lame de la scie.
- Tenez l'ouvrage fermement sur le guide pour empêcher tout mouvement.
- Gardez les mains en place jusqu'à ce que la gâchette ait été relâchée et que la lame se soit complètement arrêtée.
- Gardez les pieds fermement sur le plancher et maintenez un bon équilibre.
- Suivez le bras d'onglet en coupant à gauche ou à droite. Tenez-vous légèrement sur le côté de la lame de scie.
- Regardez à travers le protecteur inférieur si vous suivez une ligne de crayon.
- Avant de pratiquer quelque coupe que ce soit et l'outil étant hors tension, abaissez la lame pour visualiser préalablement le parcours de la lame.

AVERTISSEMENT Il se peut que le protecteur inférieur ne s'ouvre pas automatiquement dans certaines conditions de coupe. Dans ce cas :

- Ceci peut se produire généralement en tentant de couper des ouvrages qui se rapprochent de la capacité maximum de hauteur de coupe. Dans ces conditions, l'ouvrage peut arrêter le mouvement du protecteur inférieur avant que le mouvement vers le bas du bras ne puisse prouver le protecteur inférieur. Dans ce cas :
- L'ouvrage doit être cramponné solidement. Ceci libère votre main gauche pour soulever le protecteur 1 par le rebord 2 suffisamment pour passer à côté de l'ouvrage (Figure 22).
- Mettez la scie en marche et commencez votre coupe.
- Lorsque vous êtes passé à côté de la position où le protecteur inférieur peut gripper, relâchez le protecteur et il continuera à lever automatiquement au fur et à mesure que vous coupez.

AVERTISSEMENT Soyez attentif à la trajectoire de la lame de scie. Faites un essai de sciage à blanc avec la scie arrêtée, simulez un cycle de sciage et repérez la trajectoire de la lame de scie. Gardez les mains à au moins six (6) pouces de la trajectoire prévue pour la lame de la scie.

SCIAGE À BLANC – Il est important de savoir où la lame rencontre la pièce pendant le sciage. Effectuez toujours la simulation de coupe avec la scie à l'arrêt afin de comprendre la trajectoire de la lame de scie. Prenez note mentalement de la trajectoire prévue pour la lame de la scie et configurez votre ouvrage de façon que vous ayez toujours les mains et les bras à au moins six (6) pouces de la trajectoire prévue pour la lame en mouvement. Réglez vos brides et guides de manière à ne pas entraver le mouvement de coupe ou de nuire à la régularité du mouvement du capot protecteur inférieur.

Operaciones básicas de la sierra

Posición del cuerpo y de las manos

ADVERTENCIA Posicione el cuerpo y las manos de modo adecuado para hacer que las operaciones de corte sean más fáciles y seguras. Siga las instrucciones siguientes (Figura 21).

- **Nunca ponga las manos cerca del área de corte. Mantenga las manos fuera de la "Zona de no tocar con la mano".** La "Zona de no tocar con la mano" se define como el área entre las líneas marcadas en el lado izquierdo y en el lado derecho de la base, incluyendo toda la mesa y parte del tope-guía dentro de estas líneas marcadas. El área marcada en el producto como "Zona de no tocar con las manos" es válida para realizar cortes a un inglete de cero y un bisel de cero. Cuando haga un corte que no sea de inglete de cero y bisel de cero, asegúrese siempre de que tiene la mano colocada por lo menos a seis (6) pulgadas de la trayectoria proyectada de la hoja de sierra.
- Sujete la pieza firmemente al tope-guía para evitar que se mueva.
- Mantenga las manos en su sitio hasta que se haya soltado el gatillo y la hoja se haya detenido completamente.
- Mantenga los pies firmemente en el piso y mantenga un equilibrio adecuado.
- Siga el brazo de inglete al ingletear a la izquierda o a la derecha. Sitúese ligeramente a un lado de la hoja de sierra.
- Mire a través del protector inferior si está siguiendo una línea de lápiz.
- Antes de hacer cualquier corte, con la herramienta apagada, baje la hoja para ver con antelación la trayectoria de la misma.

ADVERTENCIA Puede que el protector inferior no se abra automáticamente en ciertas condiciones de corte. Si esto sucede:

- Generalmente, esto puede suceder al intentar cortar piezas de trabajo que están cerca de la capacidad de altura de corte máxima. En estas condiciones la pieza de trabajo puede detener el movimiento del protector inferior antes de que el movimiento hacia abajo del brazo pueda preabrir el protector inferior. Si esto sucede:
- La pieza de trabajo debe sujetarse firmemente con abrazaderas. Esto deja libre la mano izquierda para subir el protector 1 por el reborde 2 justo lo suficiente para que no toque la pieza de trabajo (Figura 22).
- Arranque la sierra y comience el corte.
- Una vez que haya despejado la posición donde el protector inferior podría atascarse, suelte el protector y éste continuará subiendo automáticamente a medida que usted corte.

ADVERTENCIA Tenga en cuenta la trayectoria de la hoja. Haga una prueba con la sierra APAGADA, haciendo un ciclo simulado de corte y observe la trayectoria de la hoja. Mantenga las manos por lo menos a seis (6) pulgadas de la trayectoria proyectada de la hoja de sierra.

PRUEBA – Es importante saber dónde se van a intersectar la hoja y la pieza en las operaciones de corte. Haga siempre la secuencia simulada de corte con la herramienta APAGADA, para comprender la trayectoria proyectada de la hoja. Haga una nota mental de dónde caerá la trayectoria de la hoja de sierra, para ajustar la pieza de trabajo y mantener las manos y los brazos por lo menos a seis (6) pulgadas de la trayectoria proyectada de la hoja cuando esté girando. Ajuste las abrazaderas y topes-guía de modo que no interfieran con el protector inferior ni la acción de corte durante la operación.

Basic Saw Operations

Workpiece Support

⚠ WARNING This tool is not equipped with provisions for attaching an auxiliary fence. Do not cut materials that exceed the cutting capacities stated in this manual. Insure that the work piece is supported by the fence before cutting.

⚠ WARNING Long workpieces have a tendency to tip over unless clamped down and properly supported from underneath. Use auxiliary work piece support for material that can not be supported by the vise clamp alone.

Clamps

Vise Clamp - This clamp easily secures a workpiece in either of two (2) clamp holes on the front of the base (Figure 24).

1. Insert clamp post into clamp hole 1.
2. Rotate screw knob 2 of the clamp clockwise to tighten, counter-clockwise to loosen.
3. Move the head assembly to check clearance with clamp.

⚠ WARNING There may be extreme compound cuts where supplied clamp cannot be used. Use conventional clamps. **Do not try to cut short pieces** that cannot be clamped and cause your hand to be in the No Hands Zone. Do not position clamp over an unsupported portion of the workpiece (Figure 22 & 23).

Conventional Clamps and other hold down devices can be used to hold the workpiece firmly against the table and the fence.

Long Workpiece Support

Support long workpieces to prevent sagging. Use auxiliary workpiece support 3 for long workpieces (Figure 25).

FIG. 23

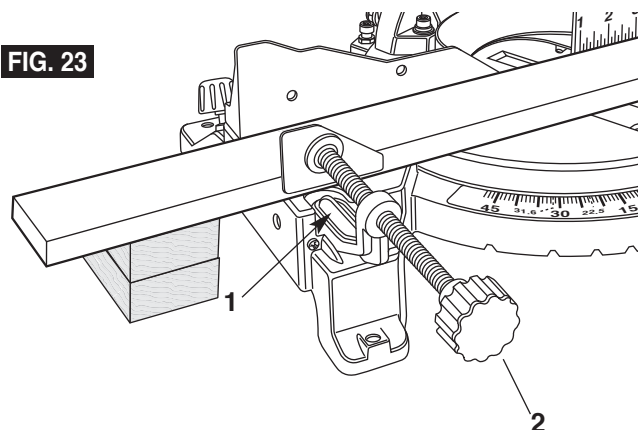


FIG. 24

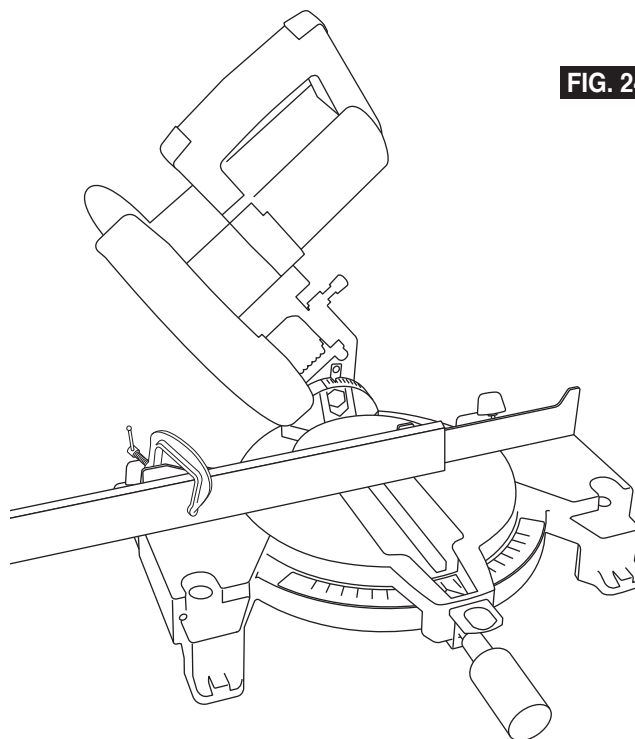
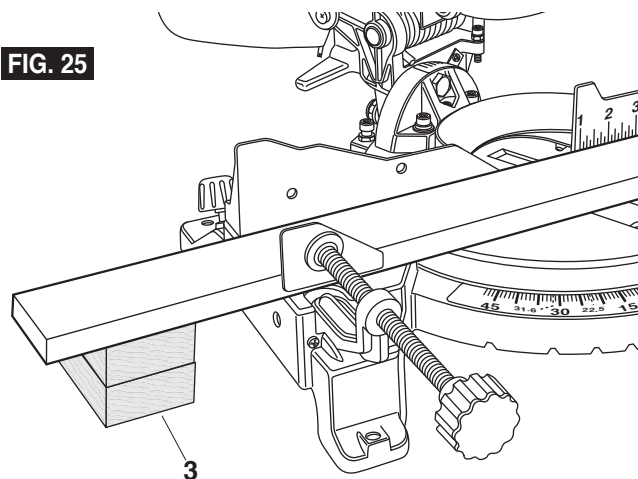


FIG. 25



Opérations de base de la scie

Support de l'ouvrage

AVERTISSEMENT Cet outil n'est pas muni de dispositifs permettant d'attacher un guide auxiliaire. Ne coupez pas de matériaux qui dépassent les capacités de coupe qui sont indiquées dans ce mode d'emploi. Assurez-vous que l'ouvrage est supporté par le guide avant de couper.

AVERTISSEMENT Les ouvrages très longs ont tendance à basculer à moins qu'ils ne soient attachés au moyen de brides et supportés correctement par en dessous. Utilisez le support d'ouvrage auxiliaire pour les matériaux qui ne peuvent pas être supportés par la bride de fixation à étau seulement.

Brides de fixation

Bride de fixation de l'étau – Cette bride assujettit facilement un ouvrage dans l'un des deux (2) trous pour brides de fixation à l'avant de la base (Figure 24).

1. Insérez la bride dans le trou pour bride 1.
2. Tournez le bouton fileté 2 de la bride dans le sens des aiguilles d'une montre pour serrer, ou dans le sens contraire des aiguilles d'une montre pour desserrer.
3. Déplacez l'ensemble de tête pour vérifier le jeu avec la bride de fixation.

AVERTISSEMENT Il peut y avoir certaines coupes composées extrêmes pour lesquelles il n'est pas possible d'utiliser la bride de fixation fournie. Supportez l'ouvrage avec la main en dehors de la zone interdite aux mains ou utilisez des brides de fixation conventionnelles. **N'essayez pas de couper des pièces courtes** qui ne peuvent pas être assujetties avec une bride de fixation si cela vous force à mettre une main dans la zone interdite aux mains. Ne positionnez pas la bride au-dessus d'une partie non supportée de l'ouvrage (Figures 22 & 23).

Des brides de fixation conventionnelles et d'autres dispositifs de retenue peuvent être utilisés pour tenir l'ouvrage fermement contre la table et le guide.

Support d'ouvrages longs

Soutenez les ouvrages longs pour empêcher qu'ils ne s'affaissent. Utilisez le support auxiliaire d'ouvrage 3 pour soutenir les ouvrages longs (Figure 25).

Operaciones básicas de la sierra

Soporte de la pieza de trabajo

ADVERTENCIA Esta herramienta no está equipada con dispositivos para instalar un tope-guía auxiliar. No corte materiales que excedan las capacidades de corte indicadas en este manual. Asegúrese de que la pieza de trabajo esté soportada por el tope-guía antes de realizar el corte.

ADVERTENCIA Las piezas de trabajo tienen tendencia a inclinarse, a menos que estén sujetas con abrazaderas y soportadas apropiadamente desde debajo. Utilice un soporte auxiliar de la pieza de trabajo para material que no pueda ser soportado por la abrazadera de prensa de tornillo sola.

Abrazaderas

Abrazadera tipo prensa de tornillo: Esta abrazadera sujeta fácilmente una pieza de trabajo en cualquiera de los dos (2) agujeros de abrazadera ubicados en la parte delantera de la base (Figura 24).

1. Inserte el poste de la abrazadera en el agujero de abrazadera 1.
2. Gire el pomo roscado 2 de la abrazadera en el sentido de las agujas del reloj para apretarlo, y en sentido contrario al de las agujas del reloj para aflojarlo.
3. Mueva el ensamblaje del cabezal para comprobar la holgura con la abrazadera.

ADVERTENCIA Es posible que haya cortes compuestos extremos en los que no se pueda utilizar la abrazadera suministrada. Sujete la pieza de trabajo con la mano fuera de la "Zona de no tocar con la mano" o utilice abrazaderas convencionales. **No intente cortar piezas cortas** que no se puedan sujetar con abrazaderas y hagan que la mano esté en la "Zona de no tocar con la mano". No posicione la abrazadera sobre una parte no soportada de la pieza de trabajo (Figura 22 y 23).

Las abrazaderas convencionales y otros dispositivos de sujeción se pueden utilizar para sujetar la pieza de trabajo firmemente contra la mesa y el tope-guía.

Soporte de piezas de trabajo largas

Soporte las piezas de trabajo largas para evitar que se comben. Utilice el soporte auxiliar para la pieza de trabajo 3 para piezas de trabajo largas (Figura 25).

Basic Saw Operations

3316WS Miter Saw Work Support Kit (not included on all models)

⚠ WARNING Always disconnect the power cord from the power source before making any adjustment or attaching any accessories.

Extension Rails

Rails used to support long workpieces and table extension.

Extension Table

This provides extra support and clamping area for compound miter cuts.

These attachments allow extra support for longer workpieces.

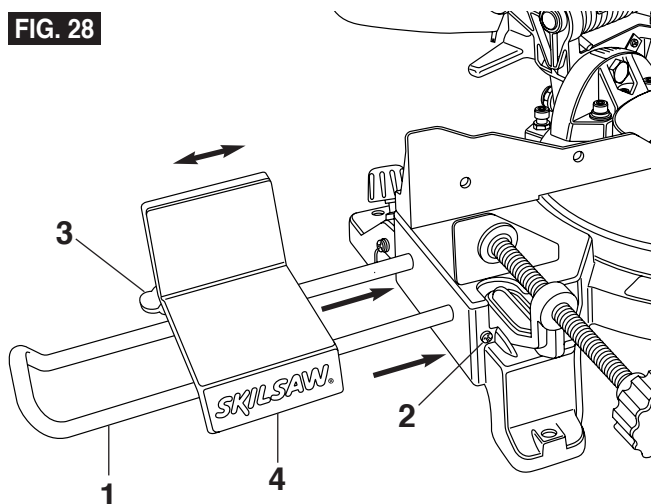
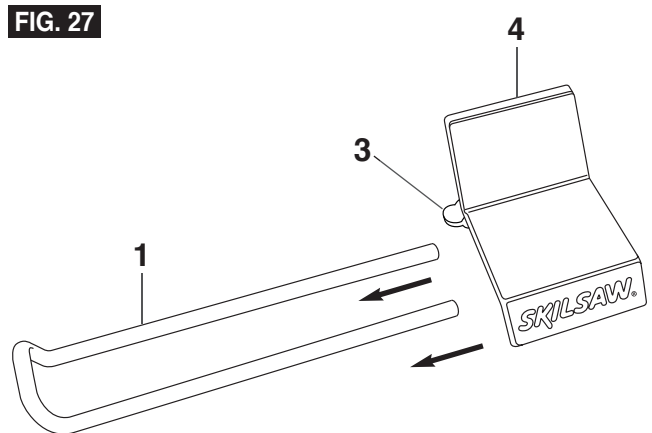
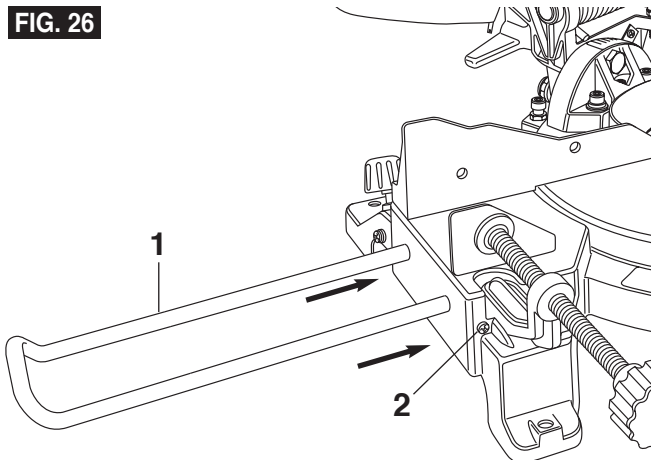
Extension Rails

1. To assembly extension rails 1, push rail 1 into accessory extension holes on either side of the base until rail hits the hard stop (Figure 26).
2. Secure the rails by tightening the screw 2 on front of the base (Figure 26).

Extension Table

1. To assembly extension table 4, loosen extension table lock knob 3 and slide extension table 4 onto extension rail 1 (Figure 27).
2. Push rail 1 into accessory extension holes on either side of the base until rail hits the hard stop (Figure 28).
3. Secure the rails by tightening the screw 2 on front of the base (Figure 28).

To adjust extension table 4 loosen extension table lock knob 3 slide table to desired position and securely tighten extension table lock knob 3 (Figure 28).



Opérations de base de la scie

Kit de support pour le travail avec la scie à onglet 3316WS (not included on all models)

⚠ AVERTISSEMENT Débranchez toujours le cordon d'alimentation de la source d'alimentation avant de réaliser de quelconques réglages ou d'attacher des accessoires.

Rails de rallonge

Ces rails sont utilisés pour supporter de longs ouvrages et la table de rallonge.

Table de rallonge

Cette table fournit un support supplémentaire et une zone de préhension pour des coupes à onglet composé.

Ces accessoires assurent un support supplémentaire pour les ouvrages longs.

Rails de rallonge

1. Pour assembler les rails de rallonge **1**, enfoncez le rail **1** à travers les trous de rallonge pour accessoires des deux côtés de la base jusqu'à ce que le rail atteigne la butée rigide (Figure 26).
2. Assujettissez les rails en serrant la vis **2** sur le devant de la base (Figure 26).

Table de rallonge

1. Pour assembler la table de rallonge **4**, desserrez le bouton de verrouillage de la table de rallonge **3** et faites glisser la table de rallonge **4** sur le rail de rallonge **1** (Figure 27).
2. Enfoncez le rail **1** à travers les trous de rallonge pour accessoires des deux côtés de la base jusqu'à ce que le rail atteigne la butée rigide (Figure 28).
3. Assujettissez les rails en serrant la vis **2** sur le devant de la base (Figure 28).

Pour ajuster la table de rallonge **4**, desserrez le bouton de verrouillage de la table de rallonge **3**, faites glisser la table dans la position désirée et serrez solidement le bouton de verrouillage de la table de rallonge **3** (Figure 28).

Operaciones básicas de la sierra

Juego de soporte de la pieza de trabajo para la sierra para cortar ingletes 3316WS (no incluida en todos los modelos)

⚠ ADVERTENCIA Desconecte siempre el cable de alimentación de la fuente de alimentación antes de hacer cualquier ajuste o instalar cualquier accesorio.

Rieles de extensión

Rieles que se utilizan para soportar las piezas de trabajo largas y la extensión de la mesa.

Mesa de extensión

Esto brinda soporte adicional y un área de sujeción con abrazaderas para realizar cortes a inglete compuestos.

Estos aditamentos ofrecen soporte adicional para las piezas de trabajo más largas.

Rieles de extensión

1. Para ensamblar los rieles de extensión **1**, empuje el riel **1** hacia el interior de los agujeros de extensión para accesorios ubicados en cualquiera de los dos lados de la base, hasta que el riel llegue al tope duro (Figura 26).
2. Sujete firmemente los rieles apretando los tornillos **2** ubicados en la parte delantera de la base (Figura 26).

Mesa de extensión

1. Para ensamblar la mesa de extensión **4**, afloje el pomo de fijación de la mesa de extensión **3** y deslice la mesa de extensión **4** sobre el riel de extensión **1** (Figura 27).
2. Empuje el riel **1** hacia el interior de los agujeros de extensión para accesorios ubicados en cualquiera de los dos lados de la base, hasta que el riel llegue al tope duro (Figura 28).
3. Sujete firmemente los rieles apretando el tornillo **2** ubicado en la parte delantera de la base (Figura 28).

Para ajustar la mesa de extensión **4**, afloje el pomo de fijación de la mesa de extensión **3**, deslice la mesa hasta la posición deseada y apriete firmemente el pomo de fijación de la mesa de extensión **3** (Figura 28).

Basic Saw Operations

Switch Activation

To reduce the likelihood of accidental start-up, the switch is equipped with safety buttons **1** that must be depressed before the trigger **2** can be activated. The safety buttons are designed to be activated by the right or left thumb pushing in the left to right direction. When either safety button is depressed, the trigger is unlocked and it can be pulled to activate the motor. Once the trigger is activated, release the safety button so it can automatically engage and lock the switch upon release of the trigger (Figure 29).

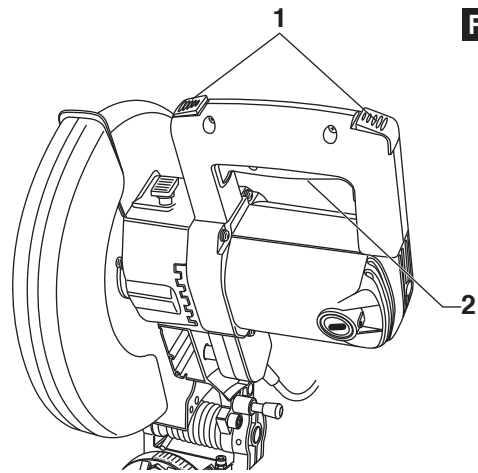


FIG. 29

⚠ WARNING Avoid positioning the palm of your hand over the safety button. Pressure from the palm of your hand may unintentionally unlock the safety button or prevent it from automatically engaging and locking the switch upon release of the trigger.

NOTE: Switch can accommodate a padlock with a long shackle of up to 1/4" in diameter (not provided with compound miter saw) to prevent unauthorized use.

Laser Alignment System

Your miter saw is equipped with a laser alignment system to help identify where the blade will contact the work piece. The laser line has been adjusted to the center of the blade. You should make a practice cut into a scrap piece of wood so you know exactly where to place your workpiece.

The tool power cord must be plugged in, but you do not have to activate the trigger to use the laser. The laser alignment system can be turned on or off by using the switch **21** shown (Fig. 30).

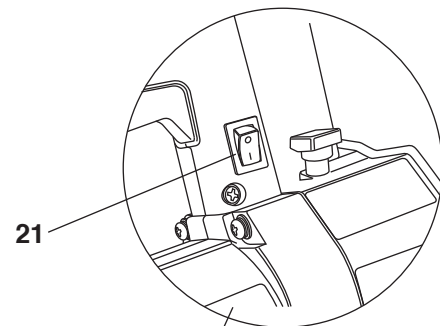


FIG. 30

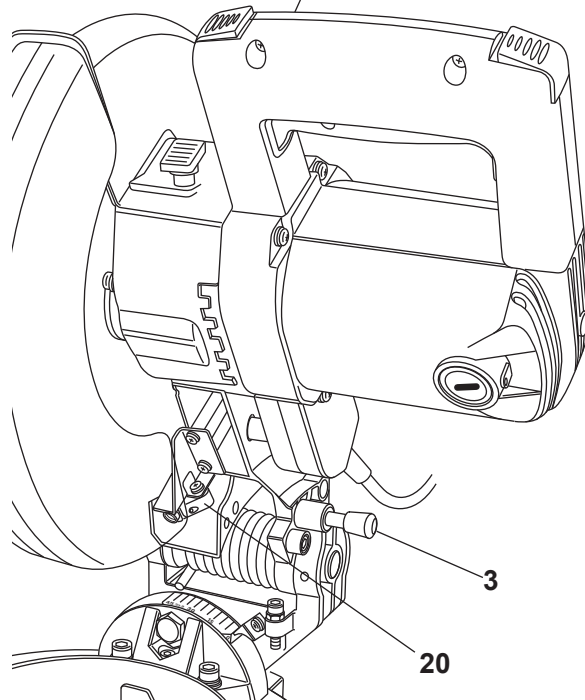
Head Assembly Lock Pin

The saw should never be locked in the down position when operating. To raise:

1. Push down on the saw handle.
2. Pull out the head assembly lock pin **3** (Figure 30).
3. Allow the saw to rise to the up position.

When transporting or storing the miter saw, the cutting head should always be locked in the down position. To lock:

1. Push the saw handle down to the lowest position.
2. Push in head assembly lock pin **3** to lock the cutting head in the down position.



Opérations de base de la scie

Actionnement par interrupteur

Pour réduire la probabilité d'une mise en marche accidentelle, l'interrupteur est pourvu de boutons de sécurité **1** qui doivent être enfoncés avant que la gâchette **2** ne puisse être actionnée. Les boutons de sécurité sont conçus de manière à être actionnés par le pouce droit ou gauche poussant de gauche à droite. Lorsque l'un ou l'autre bouton de sécurité est enfoncé, la gâchette est débloquée et elle peut être tirée afin d'actionner le moteur. Une fois la gâchette actionnée, relâchez le bouton de sécurité de manière à ce qu'il puisse être engagé automatiquement, et bloquez l'interrupteur dès relâchement de la gâchette (figure 29).

AVERTISSEMENT Évitez de placer la paume de votre main par-dessus le bouton de sécurité. La pression de la paume de votre main peut débloquer par mégarde le bouton de sécurité ou l'empêcher de s'engager automatiquement et de bloquer l'interrupteur lors du relâchement de la gâchette.

REMARQUE : L'interrupteur peut recevoir un cadenas avec une tige longue d'un diamètre allant jusqu'à 1/4 po (non fourni avec la scie composée à onglet) afin de prévenir l'utilisation non autorisée.

Système d'alignement du laser

Votre scie à onglet est équipée d'un système d'alignement du laser qui aide à identifier l'endroit où la lame entrera en contact avec l'ouvrage. Le rayon laser a été réglé de manière à atteindre le centre de la lame. Il est recommandé de réaliser une opération de coupe expérimentale dans un déchet de bois pour vous permettre de déterminer exactement où placer votre ouvrage.

Le cordon d'alimentation électrique de l'outil doit être branché, mais il n'est pas nécessaire d'actionner la gâchette pour vous servir du laser. Le système d'alignement du laser peut être activé ou désactivé au moyen de l'interrupteur **21** montré sur l'illustration (Figure 30).

Cheville de blocage de tête

La scie ne doit jamais être verrouillée en position abaissée pendant qu'elle est en marche. Pour l'élever :

1. Appuyez sur la poignée de la scie.
2. Tirez sur le cheville de blocage de tête **3** (Figure 30).
3. Laissez la scie remonter dans la position élevée.

Lorsque vous transportez ou rangez la scie à onglet, la tête de coupe doit toujours être verrouillée en position abaissée. Pour verrouiller :

1. Appuyez sur la poignée pour la mettre dans la position la plus basse.
2. Appuyez sur le cheville de blocage de tête **3** afin de verrouiller la tête de coupe en position abaissée.

Operaciones básicas de la sierra

Activación del interruptor

Para reducir las posibilidades de un arranque accidental, el interruptor está equipado con botones de seguridad **1** que se deben presionar antes de que se pueda activar el gatillo **2**. Los botones de seguridad están diseñados para ser activados con el dedo pulgar derecho o izquierdo empujando hacia adentro de izquierda a derecha. Cuando se presiona cualquiera de los botones de seguridad, el gatillo se desbloquea y se puede tirar de él para activar el motor. Una vez que se haya activado el gatillo, suelte el botón de seguridad de manera que pueda enganchar y fijar automáticamente el interruptor cuando se suelte el gatillo (figura 29).

ADVERTENCIA Evite poner la palma de su mano sobre el botón de seguridad. La presión de la palma de la mano podría involuntariamente desbloquear el botón de seguridad o impedir que enganche y fije automáticamente el interruptor una vez que se suelta el gatillo.

NOTA: El interruptor puede acomodar un candado con una barra larga de hasta 1/4" de diámetro (no suministrado con la sierra para cortar ingletes compuestos) para evitar el uso no autorizado.

Sistema de alineación del láser

La sierra para cortar ingletes está equipada con un sistema de alineación del láser para ayudar a identificar el punto donde la hoja contactará la pieza de trabajo. La línea del láser ha sido ajustada en el centro de la hoja. Usted debe hacer un corte de práctica en un pedazo de madera de desecho para saber exactamente dónde colocar la pieza de trabajo.

El cable de alimentación de la herramienta debe estar enchufado, pero usted no tiene que activar el gatillo para utilizar el láser. El sistema de alineación del láser se puede encender o apagar usando el interruptor **21** mostrado (Figura 30).

Pasador de fijación del ensamblaje del cabezal

La sierra no se debe fijar nunca en la posición hacia abajo cuando se esté utilizando. Para subir la sierra:

1. Empuje hacia abajo sobre el mango de la sierra.
2. Tire hacia fuera del pasador de fijación del ensamblaje del cabezal **3** (Figura 30).
3. Deje que la sierra suba hasta la posición hacia arriba.

Cuando transporte o almacene la sierra para cortar ingletes, el cabezal de corte debe estar siempre fijo en la posición hacia abajo. Para bloquear el cabezal de corte:

1. Empuje el mango de la sierra hacia abajo, hasta la posición más baja.
2. Empuje hacia dentro el pasador de fijación del ensamblaje del cabezal **3** para bloquear el cabezal de corte en la posición hacia abajo.

Saw Operations

Miter Cut

- A miter cut is made at 0° bevel and any miter angle in the range from 45° left to 45° right.
- The miter scale is on the base for easy reading.
- Positive detents have been provided for fast and accurate mitering at 0°, 15°, 22.5°, and 45° left and right.
- There is also a crown molding detent at 31.6° (see Cutting Crown Molding for more information, pages 57 and 60).

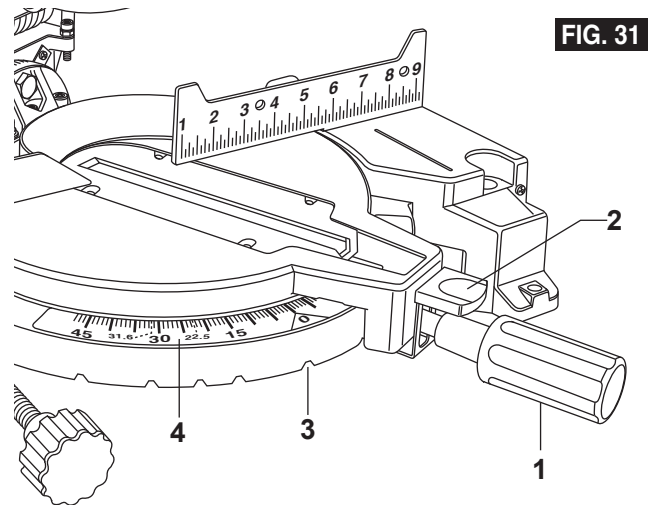
Follow these instructions for making your miter cut:

⚠ WARNING Be aware of the path of the saw blade. Make a dry run with the saw OFF by conducting a simulated cutting cycle, and observe the projected path of the saw blade. Keep hands at least six (6) inches away from the projected path of the saw blade.

1. Loosen miter lock knob **1**. Press the miter detent trigger **2** and move the saw to the desired angle, using either the detents **3** or the miter scale **4**. Tighten miter lock knob (Figure 31).
2. Properly position workpiece. Make sure workpiece is clamped firmly against the table and the fence.

Use clamping position that does not interfere with operation. Before switching on, lower head assembly to make sure clamp clears guard and head assembly.

3. Activate the switch. Lower the head assembly and make your cut.
4. Wait until blade comes to a complete stop before returning head assembly to the raised position and/or removing workpiece.



Opérations de la scie

Coupe à l'onglet

- Une coupe d'onglet est faite à un biseau de 0° et tout angle d'onglet compris entre 45° à gauche et 45° à droite.
- L'échelle d'onglet est située sur la base pour permettre une lecture facile.
- Des détentes positives ont été fournies pour permettre de faire des coupes d'onglets rapides et précises à 0°, 15°, 22,5° et 45° à gauche et à droite.
- Il y a aussi une détente pour moulure en couronne à 31,6° (voir Coupe de moulures en couronnes à la page 58 et 61 pour plus d'informations).

Suivez ces instructions pour pratiquer votre coupe à l'onglet :

AVERTISSEMENT Soyez attentif à la trajectoire de la lame de scie. Faites un essai de sciage à blanc avec la scie arrêtée, simulez un cycle de sciage et repérez la trajectoire de la lame de scie. Gardez les mains à au moins six (6) pouces de la trajectoire prévue pour la lame de la scie.

1. Desserrez le bouton de blocage d'onglet **1**. Soulevez la gâchette du cran d'arrêt d'onglet et déplacez la scie à l'angle désiré, en utilisant soit les crans d'arrêt **2** soit l'échelle graduée d'onglet **3**. Serrez le bouton de blocage d'onglet (Figure 31).
2. Positionnez l'ouvrage adéquatement. Assurez-vous que l'ouvrage est cramponné fermement contre la table et le guide.

AVERTISSEMENT Utilisez une position de cramponnage qui ne gêne pas le fonctionnement. Avant de mettre en marche, abaissez la tête pour vous assurer d'un écartement suffisant entre le serre-joint, d'une part, et le protecteur et la tête, d'autre part.

3. Actionnez l'interrupteur. Abaissez la tête et pratiquez votre coupe.
4. Attendez que la lame s'immobilise complètement avant de remettre la tête à la position levée et/ou de retirer l'ouvrage.

Operaciones de la sierra

Corte a inglete

- Un corte a inglete se realiza a un ángulo de bisel de 0° y cualquier ángulo de inglete en el intervalo de 45° a la izquierda a 45° a la derecha.
- La escala de ingletes está en la base para facilitar su lectura.
- Se han provisto retenes positivos para ingletear con rapidez y precisión a 0°, 15°, 22.5° y 45° a la izquierda y a la derecha.
- También hay un retén de moldura de techo a 31.6° (consulte "Corte de moldura de techo" para obtener más información en la página 58 y 61).

Siga estas instrucciones para hacer un corte a inglete:

ADVERTENCIA Tenga en cuenta la trayectoria de la hoja. Haga una prueba con la sierra APAGADA, haciendo un ciclo simulado de corte y observe la trayectoria de la hoja. Mantenga las manos por lo menos a seis (6) pulgadas de la trayectoria proyectada de la hoja de sierra.

1. Afloje el pomo de fijación de inglete **1**. Suba el gatillo del retén de inglete y mueva la sierra hasta el ángulo deseado usando los retenes **2** o la escala de ingletes **3**. Apriete el pomo de fijación de inglete (Figura 31).
2. Posicione la pieza de trabajo adecuadamente. Asegúrese de que la pieza de trabajo esté fijada con abrazadera firmemente contra la mesa y el tope-guía.

ADVERTENCIA Use una posición de fijación con abrazadera que no interfiera con la operación. Antes de encender la sierra, baje el ensamblaje del cabezal para asegurarse de que la abrazadera no toque ni el protector ni el ensamblaje del cabezal.

3. Active el interruptor. Baje el ensamblaje del cabezal y haga el corte.
4. Espere hasta que la hoja se detenga por completo antes de volver a colocar el ensamblaje del cabezal en la posición subida y/o retirar la pieza de trabajo.

Saw Operations

Bevel Cut

- A bevel cut is made at 0° miter and any bevel angle in the range of 0° to 45°.
- There are two (2) factory set bevel stops at 0° and 45°. (See Adjustment section if adjustments are required.)
- The bevel scale faces the operator for easy reading.

Follow these instructions for making your bevel cut:

⚠ WARNING Be aware of the path of the saw blade. Make a dry run with the saw OFF by conducting a simulated cutting cycle, and observe the projected path of the saw blade. Keep hands at least six (6) inches away from the projected path of the saw blade.

⚠ WARNING When bevel cutting remember to “lock” cutting head in every position before proceeding, so head does not unexpectedly shift in use.

1. Loosen the bevel lock knob **1** (Figure 32). Rotate the blade to the desired bevel angle using the bevel index **2**. Tighten bevel lock knob (Figure 33).
2. Properly position workpiece. Make sure work piece is clamped firmly against the table and the fence.

⚠ WARNING Use clamping position that does not interfere with operation. Before switching on, lower head assembly to make sure clamp clears guard and head assembly.

3. Activate the switch. Lower the head assembly and make your cut.
4. Wait until blade comes to a complete stop before returning head assembly to the raised position and/or removing workpiece.

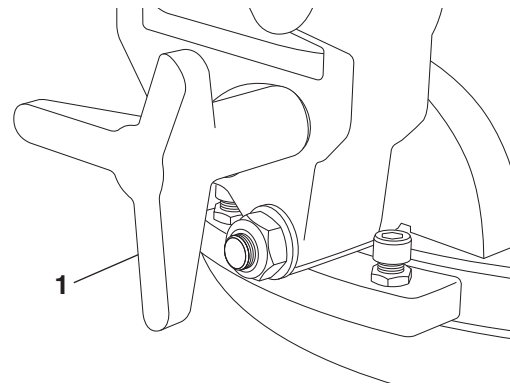


FIG. 32

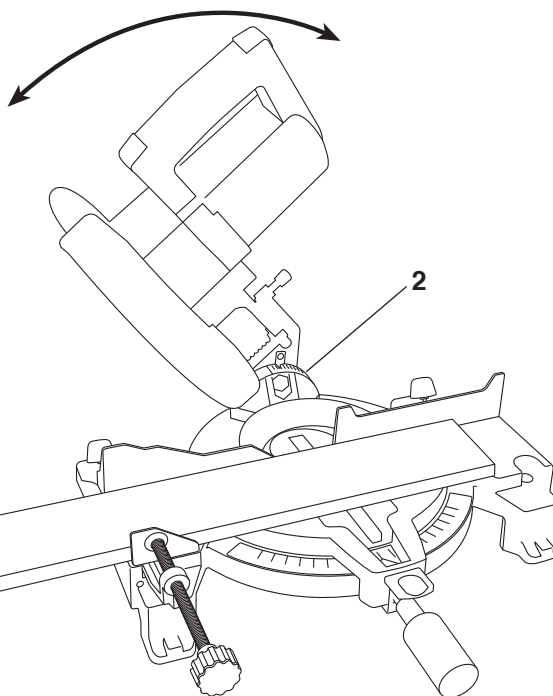


FIG. 33

See Warnings on page 5

Voir les avertissements à la page 12

Consulte las advertencias que están en la página 19

Opérations de la scie

Coupe en biseau

- Une coupe en biseau est faite à un angle d'onglet de 0° et tout angle biseau compris entre 45° à gauche et 45° à droite.
- Il y a deux (2) butées de biseau qui ont été réglées en usine à 0° et 45°. (Voir section Réglages si des réglages sont nécessaires.)
- L'échelle de biseau est orientée pour faire face à l'opérateur afin d'en faciliter la lecture.

Suivez ces instructions pour effectuer votre coupe en biseau :

AVERTISSEMENT Soyez attentif à la trajectoire de la lame de scie. Faites un essai de sciage à blanc avec la scie arrêtée, simulez un cycle de sciage et repérez la trajectoire de la lame de scie. Gardez les mains à au moins six (6) pouces de la trajectoire prévue pour la lame de la scie.

AVERTISSEMENT Lorsque vous faites une coupe en biseau, souvenez-vous de « verrouiller » la tête de coupe en position avant de poursuivre de façon que la tête ne change pas de position soudainement pendant l'emploi.

1. Desserrez le bouton de verrouillage de biseau **1** (Figure 32). Faites tourner la lame jusqu'à l'angle de biseau désiré en utilisant l'index de biseau **2**. Serrez ensuite à nouveau le bouton de verrouillage de biseau (figure 33).
2. Positionnez correctement l'ouvrage. Assurez-vous que l'ouvrage est fermement assujéti contre la table et le guide.

AVERTISSEMENT Utilisez une position de serrage qui ne fasse pas obstacle au fonctionnement. Avant de mettre l'outil en marche, abaissez l'ensemble de tête pour vous assurer que la bride de fixation n'est pas en contact avec le dispositif de protection ou l'ensemble de tête.

3. Actionnez l'interrupteur. Abaissez l'ensemble de tête et effectuez votre coupe.
4. Attendez que la lame se soit complètement arrêtée pour remettre l'ensemble de tête en position élevée et/ou pour retirer l'ouvrage.

Operaciones de la sierra

Corte en bisel

- Un corte en bisel se hace a un ángulo de inglete de 0° y cualquier ángulo de bisel en el intervalo de 0° a 45°.
- Hay dos (2) topes de bisel ajustados en la fábrica a 0° y 45°. (Vea la sección Ajuste si es necesario hacer ajustes.)
- La escala de bisel está orientada hacia el operador para facilitar su lectura.

Siga estas instrucciones para hacer un corte de bisel:

ADVERTENCIA Tenga en cuenta la trayectoria de la hoja. Haga una prueba con la sierra APAGADA, haciendo un ciclo simulado de corte y observe la trayectoria de la hoja. Mantenga las manos por lo menos a seis (6) pulgadas de la trayectoria proyectada de la hoja de sierra.

ADVERTENCIA Cuando corte en bisel, recuerde “bloquear” el cabezal de corte en cada posición antes de seguir adelante, para que el cabezal no cambie de posición inesperadamente durante el uso.

1. Afloje el pomo de fijación de bisel **1** (Figura 32). Gire la hoja hasta el ángulo de bisel deseado utilizando el índice de bisel **2**. Apriete el pomo de fijación de bisel (Figura 33).
2. Posicione apropiadamente la pieza de trabajo. Asegúrese de que la pieza de trabajo esté firmemente sujeta contra la mesa y el tope-guía.

ADVERTENCIA Use una posición de sujeción con abrazadera que no interfiera con la operación. Antes de encender la sierra, baje el ensamblaje del cabezal para asegurarse de que la abrazadera no toque ni el protector ni el ensamblaje del cabezal.

3. Active el interruptor. Baje el ensamblaje del cabezal y haga el corte.
4. Espere hasta que la hoja se detenga por completo antes de retornar el ensamblaje del cabezal a la posición subida y/o retirar la pieza de trabajo.

Saw Operations

FIG. 34

Compound Cuts

- A compound cut is a cut requiring both a miter setting and a bevel setting.
- Because it may take several tries to obtain the desired compound angle, perform test cuts on scrap material before making your cut.

Follow these instructions for making your compound cut:

⚠ WARNING Be aware of the path of the saw blade. Make a dry run with the saw OFF by conducting a simulated cutting cycle, and observe the projected path of the saw blade. Keep hands at least six (6) inches away from the projected path of the saw blade.

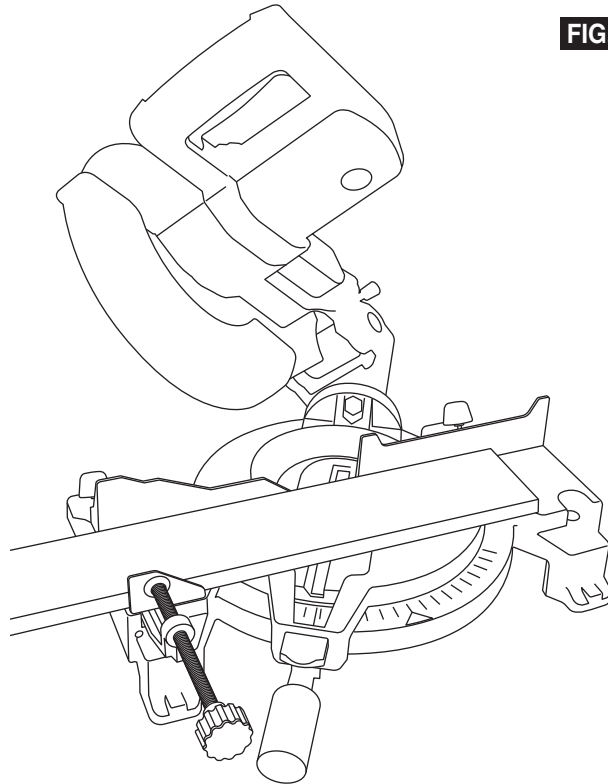
1. Select the desired miter and bevel angles). (See Miter Cut and Bevel Cut on pages 51 and 53.)

⚠ WARNING Before sawing, always check that there is no interference between moving and stationary parts of the saw. Do not operate the saw in the following range of miter and bevel combinations: Left miter angles greater than 45° and bevel angles greater than 35°. These miter and bevel combinations may result in interference between the lower guard and the work piece clamp.

2. Properly position workpiece. Make sure workpiece is clamped firmly against the table and the fence.
3. Make sure all controls are locked before cutting.

⚠ WARNING Always use clamp to hold workpiece against the table and fence when making compound miter cuts. Do not support by hand. Use clamping position that does not interfere with operation. Before switching on, lower head assembly to make sure clamp clears guard and head assembly.

4. Activate the switch. Lower the head assembly and make your cut.
5. Wait until blade comes to a complete stop before returning head assembly to the raised position and/or removing workpiece.



See Warnings on page 5
 Voir les avertissements à la page 13
 Consulte las advertencias que están en la página 21

Opérations de la scie

Coupes composées

- Une coupe composée est une coupe nécessitant à la fois un réglage d'onglet et un réglage de biseau.
- Étant donné qu'il risque de falloir plusieurs essais pour obtenir l'angle composé voulu, effectuez des essais de coupe sur des matériaux résiduels avant de faire votre coupe.

Suivez ces instructions pour effectuer votre coupe composée :

AVERTISSEMENT Soyez attentif à la trajectoire de la lame de scie. Faites un essai de sciage à blanc avec la scie arrêtée, simulez un cycle de sciage et repérez la trajectoire de la lame de scie. Gardez les mains à au moins six (6) pouces de la trajectoire prévue pour la lame de la scie.

1. Sélectionnez les angles de biseau et d'onglet désirés. (Voir les rubriques consacrées aux coupes d'onglets et aux coupes en biseau aux pages 52 et 54.)

AVERTISSEMENT Avant de commencer à scier, vérifiez toujours qu'il n'y a pas d'interférence entre les parties mobiles et les parties fixes de la scie. N'utilisez pas la scie dans la plage suivante de combinaisons d'onglets et de biseaux : angles d'onglet à gauche de plus de 45° et angles de biseau de plus de 35°. Ces combinaisons d'onglets et de biseaux pourraient causer des interférences entre le dispositif de protection inférieur et la bride de fixation de l'ouvrage.

2. Positionnez correctement l'ouvrage. Assurez-vous que l'ouvrage est fermement assujéti contre la table et le guide.
3. Assurez-vous que toutes les commandes sont verrouillées avant de commencer la coupe.

AVERTISSEMENT Utilisez une position de serrage qui ne fasse pas obstacle au fonctionnement. Avant de mettre l'outil en marche, abaissez l'ensemble de tête pour vous assurer que la bride de fixation n'est pas en contact avec le dispositif de protection ou l'ensemble de tête.

4. Actionnez l'interrupteur. Abaissez l'ensemble de tête et effectuez votre coupe.
5. Attendez que la lame se soit complètement arrêtée pour remettre l'ensemble de tête en position élevée et/ou pour retirer l'ouvrage.

Operaciones de la sierra

Cortes compuestos

- Un corte compuesto es un corte que requiere tanto una posición de inglete como una posición de bisel.
- Como puede que se necesiten varios intentos para lograr el ángulo compuesto deseado, realice cortes de prueba en material de desecho antes de hacer el corte real.

Siga estas instrucciones para hacer un corte compuesto:

ADVERTENCIA Tenga en cuenta la trayectoria de la hoja. Haga una prueba con la sierra APAGADA, haciendo un ciclo simulado de corte y observe la trayectoria de la hoja. Mantenga las manos por lo menos a seis (6) pulgadas de la trayectoria proyectada de la hoja de sierra.

1. Seleccione los ángulos de inglete y de bisel deseados. (Consulte "Corte a inglete" y "Corte en bisel" en las páginas 52 y 54.)

ADVERTENCIA Antes de aserrar, asegúrese siempre de que no haya interferencia entre las partes móviles y estacionarias de la sierra. No utilice la sierra en el siguiente intervalo de combinaciones de inglete y bisel: Ángulos de inglete a la izquierda mayores de 45° y ángulos de bisel mayores de 35°. Estas combinaciones de inglete y bisel pueden causar interferencia entre el protector inferior y la abrazadera para la pieza de trabajo.

2. Posicione apropiadamente la pieza de trabajo. Asegúrese de que la pieza de trabajo esté firmemente sujeta con una abrazadera contra la mesa y el tope-guía.
3. Asegúrese de que todos los controles estén bloqueados antes de cortar.

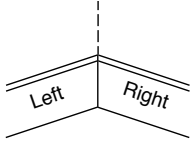
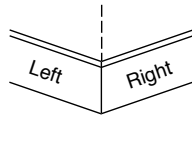
ADVERTENCIA Use una posición de sujeción con abrazadera que no interfiera con la operación. Antes de encender la sierra, baje el ensamblaje del cabezal para asegurarse de que la abrazadera no toque ni el protector ni el ensamblaje del cabezal.

4. Active el interruptor. Baje el ensamblaje del cabezal y haga el corte.
5. Espere hasta que la hoja se detenga por completo antes de retornar el ensamblaje del cabezal a la posición subida y/o retirar la pieza de trabajo.

Saw Operations

Base Molding

- Base molding can be cut vertical against fence or flat on the table.
- Follow the table for helpful hints on cutting base molding.

BASE MOLDING CUTTING INSTRUCTIONS					
SETTINGS / INSTRUCTIONS		Vertical Position Back of molding is against the fence		Horizontal Position Back of molding is flat on the table	
<i>Sliding Fence</i>		Far Right Position		Move to proper position	
<i>Bevel Angle</i>		0°		45°	
<i>Molding position</i>		Left Side	Right Side	Left Side	Right Side
Inside corner of wall 	Miter Angle	Left at 45°	Right at 45°	0°	0°
	<i>Molding position</i>	Bottom against table	Bottom against table	Top against fence	Bottom against fence
	Finished side	Keep left side of cut	Keep right side of cut	Keep left side of cut	Keep left side of cut
Outside corner of wall 	Miter Angle	Right at 45°	Left at 45°	0°	0°
	<i>Molding position</i>	Bottom against table	Bottom against table	Bottom against fence	Top against fence
	Finished side	Keep left side of cut	Keep right side of cut	Keep right side of cut	Keep right side of cut

Cutting Crown Molding

WARNING This saw is designed to cut crown molding laying flat on the table only. Do not cut crown molding angled to table and fence.

- Crown molding must be cut exactly to fit properly.
- Your miter saw has special miter detents of 31.6° left and right and a bevel indicator at 33.9° for cutting crown molding flat on the table.
- These special detents angles have been designed into your compound miter saw for the standard crown molding used in the United States with the following angles:

52° between the back of the molding and the top flat surface that fits against the wall.

38° between the back of the molding and the bottom flat surface that fits against the wall.

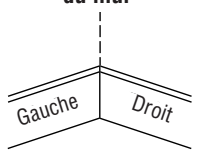
NOTE: These detents cannot be used with 45° crown molding.

- Even though these angles are standards, most rooms do not have angles of exactly 90°, therefore, you will need to fine tune your settings using the detent override and the vernier scale.

Opérations de la scie

Moulures de base

- Les moulures de base peuvent être coupées à la verticale contre le guide ou à plat sur la table.
- Reportez-vous au tableau contenant des conseils utiles sur la coupe de moulures de base.

INSTRUCTIONS DE COUPE DE MOULURES DE BASE					
RÉGLAGES / INSTRUCTIONS		Position vertical L'arrière de la moulure repose contre le guide		Position horizontale L'arrière de la moulure repose à plat sur la table	
Fixation du guide d'onglet		Position extrême droite		Déplacez à la position appropriée.	
Angle de biseau		0°		45°	
Position de moulure		Côté gauche	Côté droit	Côté gauche	Côté droit
Coin intérieur du mur 	Angle d'onglet	Gauche à 45°	Droit à 45°	0°	0°
	Position de moulure	Fond contre la table	Fond contre la table	Dessus contre le guide	Fond contre le guide
	Côté fini	Gardez le côté gauche de la coupe	Gardez le côté droit de la coupe	Gardez le côté gauche de la coupe	Gardez le côté gauche de la coupe
Coin extérieur du mur 	Angle d'onglet	Droit à 45°	Gauche à 45°	0°	0°
	Position de moulure	Fond contre la table	Fond contre la table	Fond contre le guide	Dessus contre le guide
	Côté fini	Gardez le côté gauche de la coupe	Gardez le côté droit de la coupe	Gardez le côté droit de la coupe	Gardez le côté droit de la coupe

Coupe de moulures en couronne

AVERTISSEMENT Cette scie est conçue pour couper des moulures en couronne posées à plat sur la table seulement. Ne coupez pas de moulures en couronne inclinées par rapport à la table et au guide.

- Les moulures en couronne doivent être coupées exactement pour faire adéquatement.
- Votre scie à onglet possède des crans d'arrêt d'onglet spéciaux de 31,6° à gauche et à droite, et un indicateur de biseau à 33,9° pour couper des moulures en couronne à plat sur la table.
- Ces angles de crans d'arrêt spéciaux ont été incorporés dans votre scie à onglet composée pour les moulures en couronne standard utilisées aux États-Unis avec les angles suivants :

52° entre l'arrière de la moulure et la surface plate supérieure qui repose contre le mur.

38° entre l'arrière de la moulure et la surface plate inférieure qui repose contre le mur.

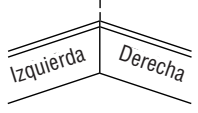
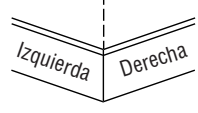
REMARQUE : Ces crans d'arrêt ne peuvent pas être utilisés avec les moulures en couronne de 45°.

- Bien que ces angles soient standard, la plupart des pièces n'ont pas d'angles d'exactly 90° ; vous devrez donc ajuster vos réglages à l'aide du court-circuitage de cran d'arrêt et de l'échelle graduée Vernier.

Operaciones de la sierra

Moldura de base

- La moldura de base se puede cortar vertical contra el tope-guía u horizontal sobre la mesa.
- Siga el cuadro para obtener consejos útiles sobre el corte de moldura de base.

INSTRUCCIONES PARA EL CORTE DE MOLDURA DE BASE					
POSICIONES / INSTRUCCIONES		Posición vertical La parte posterior de la moldura está contra el tope-guía		Posición horizontal La parte posterior de la moldura está horizontal sobre la mesa	
Aditamento del tope-guía para cortar ingletes		Posición a extrema derecha		Mover a la posición apropiada	
Angulo de bisel		0°		45°	
Posición de la moldura		Lado izquierdo	Lado derecho	Lado izquierdo	Lado derecho
Esquina interior de la pared 	Angulo de inglete	Izquierda a 45°	Derecha a 45°	0°	0°
	Posición de la moldura	Parte inferior contra la mesa	Parte inferior contra la mesa	Parte superior contra el tope-guía	Parte inferior contra el tope-guía
	Lado acabado	Conservar el lado izquierdo del corte	Conservar el lado derecho del corte	Conservar el lado izquierdo del corte	Conservar el lado derecho del corte
Esquina exterior de la pared 	Angulo de inglete	Derecha a 45°	Izquierda a 45°	0°	0°
	Posición de la moldura	Parte inferior contra la mesa	Parte inferior contra la mesa	Parte inferior contra el tope-guía	Parte superior contra el tope-guía
	Lado acabado	Conservar el lado izquierdo del corte	Conservar el lado derecho del corte	Conservar el lado derecho del corte	Conservar el lado derecho del corte

Corte de moldura de techo

ADVERTENCIA Esta sierra está diseñada para cortar moldura de corona en posición plana sobre la mesa solamente. No corte moldura de corona angulada respecto a la mesa y el tope-guía.

- La moldura de techo se debe cortar con precisión para que encaje adecuadamente.
- La sierra para cortar ingletes tiene retenes de inglete especiales de 31.60 a la izquierda y a la derecha y un indicador de bisel a 33.90 para cortar moldura de techo en posición plana sobre la mesa.
- Estos ángulos de retén especiales han sido diseñados en la sierra para cortar ingletes compuestos para la moldura de techo

estándar que se usa en los Estados Unidos con los siguientes ángulos:

52° entre la parte posterior de la moldura y la superficie superior plana que encaja contra la pared.

38° entre la parte posterior de la moldura y la superficie inferior plana que encaja contra la pared.

NOTA: Estos retenes no se pueden usar con moldura de techo de 45°.

- Aunque estos ángulos son estándar, la mayoría de las salas y cuartos no tienen ángulos de exactamente 90°. Por lo tanto, usted tendrá que ajustar con precisión las posiciones usando el sobrecontrol del retén y la escala Vernier.

Saw Operations

Crown Molding Laying Flat on Table

Follow these instructions for cutting crown molding:

WARNING Be aware of the path of the saw blade. Make a dry run with the saw OFF by conducting a simulated cutting cycle, and observe the projected path of the saw blade. Keep hands at least six (6) inches away from the projected path of the saw blade.

1. Set the bevel and miter angles using Chart 1 below. Tighten the miter lock knob and the bevel lock handle (Figure 35).
2. Position molding on saw table. Use the chart below for correct position. Clamp workpiece in place using the provided vise clamp. Use auxiliary work piece support or auxiliary stand to support the crown molding. Firmly support workpiece by hand that is located at least six (6) inches away from the projected path of the saw blade.

WARNING Use clamping position that does not interfere with operation. Before switching on, lower head assembly to make sure clamp clears guard and head assembly.

3. Activate the switch. Lower the head assembly and make your cut.
4. Wait until blade comes to a complete stop before returning head assembly to the raised position and/or removing workpiece.

5. ALWAYS TAKE A TEST CUT USING SCRAP TO CONFIRM CORRECT ANGLES.

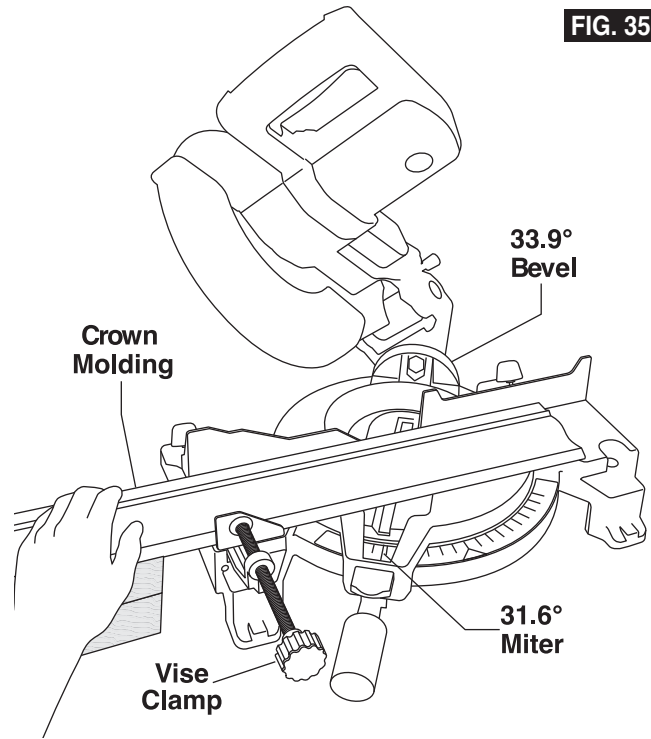
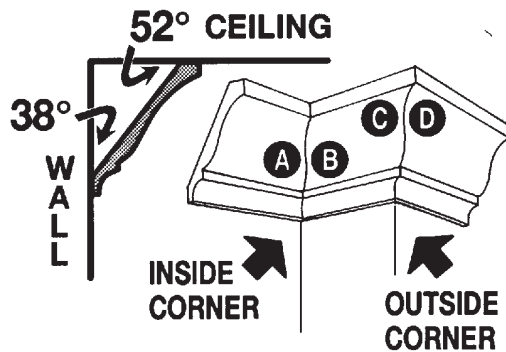


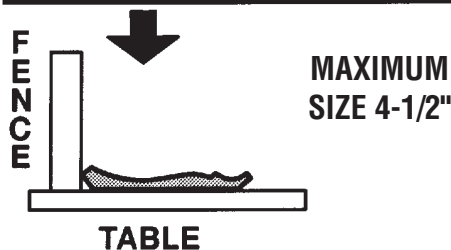
FIG. 35

CROWN MOLDING CUTS – MOLDING PLACED FLAT ON TABLE

U.S. STANDARD CROWN MOLDING



MOLDING FLAT ON TABLE



TYPE OF CUT	MITER (TABLE) SETTING	BEVEL (TILT) SETTING
INSIDE CORNER		
LEFT SIDE A	RIGHT 31.6°	33.9°
PLACE TOP EDGE OF MOLDING AGAINST FENCE – SAVE LEFT END OF CUT		
RIGHT SIDE B	LEFT 31.6°	33.9°
PLACE BOTTOM EDGE OF MOLDING AGAINST FENCE – SAVE LEFT END OF CUT		
OUTSIDE CORNER		
LEFT SIDE C	LEFT 31.6°	33.9°
PLACE BOTTOM EDGE OF MOLDING AGAINST FENCE – SAVE RIGHT END OF CUT		
RIGHT SIDE D	RIGHT 31.6°	33.9°
PLACE TOP EDGE OF MOLDING AGAINST FENCE – SAVE RIGHT END OF CUT		

Chart 1: Crown Molding Flat on Table

Opérations de la scie

Moulure en couronne reposant à plat sur la table

Suivez ces instructions pour couper une moulure en couronne :

AVERTISSEMENT Soyez attentif à la trajectoire de la lame de scie. Faites un essai de sciage à blanc avec la scie arrêtée, simulez un cycle de sciage et repérez la trajectoire de la lame de scie. Gardez les mains à au moins six (6) pouces de la trajectoire prévue pour la lame de la scie.

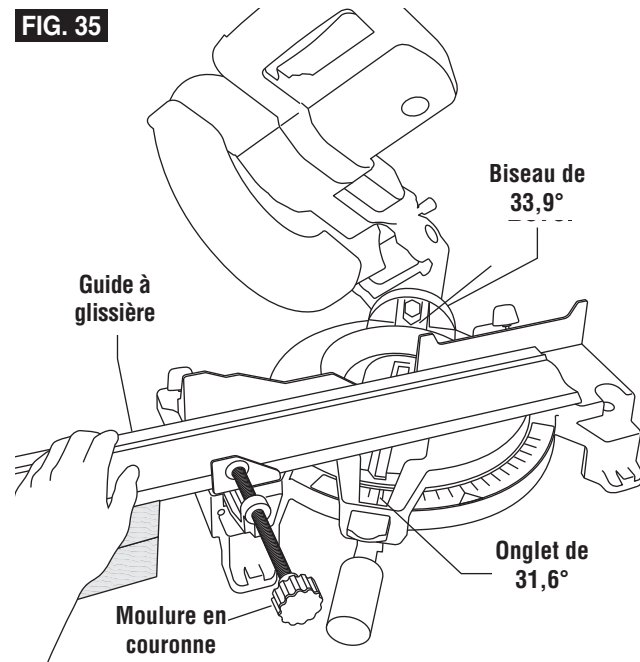
- Réglez les angles de biseau et d'onglet en utilisant le tableau 1 ci-dessous. Serrez le bouton de verrouillage d'onglet et la poignée de verrouillage de biseau (Figure 35).
- Positionnez la moulure sur le banc de scie. Utilisez le tableau ci-dessous pour déterminer la position correcte. Assujettissez l'ouvrage en place au moyen de la bride de fixation de l'étau fournie. Utilisez le support auxiliaire d'ouvrage ou un support temporaire pour soutenir la moulure en couronne. Soutenez fermement l'ouvrage à la main en vous assurant que cette main est placée à au moins six (6) pouces de la trajectoire prévue pour la lame de la scie.

AVERTISSEMENT Utilisez une position de serrage qui ne fasse pas obstacle au fonctionnement. Avant de mettre l'outil en marche, abaissez l'ensemble de tête pour vous assurer que la bride de fixation n'est pas en contact avec le dispositif de protection ou l'ensemble de tête.

- Actionnez l'interrupteur. Abaissez l'ensemble de tête et effectuez votre coupe.

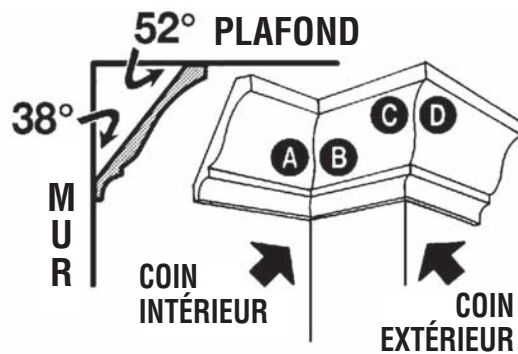
- Attendez que la lame se soit complètement arrêtée pour remettre l'ensemble de tête en position élevée et/ou pour retirer l'ouvrage.
- EFFECTUEZ TOUJOURS UNE COUPE D'ESSAI EN UTILISANT DES MATÉRIEAUX RÉSIDUELS AFIN DE CONFIRMER QUE LES ANGLES SONT CORRECTS.

FIG. 35

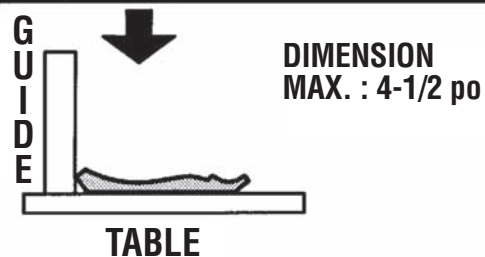


COUPES DE MOULURES EN COURONNE – MOULURE À PLAT SUR LA TABLE

MOULURE EN COURONNE STANDARD U.S.



MOULURE À PLAT SUR LA TABLE



TYPE
DE
COUPE

RÉGLAGE
D'ONGLET
(TABLE)

RÉGLAGE
DE BISEAU
(INCLINAISON)

COIN INTÉRIEUR

À DROITE
CÔTÉ GAUCHE **A** → 31.6° → 33.9°
PLACEZ LE DESSUS DE LA MOULURE
CONTRE LE GUIDE – GARDEZ L'EXTRÉMITÉ GAUCHE DE LA COUPE

À GAUCHE
CÔTÉ DROIT **B** → 31.6° → 33.9°
PLACEZ LE BAS DE LA MOULURE
CONTRE LE GUIDE – GARDEZ L'EXTRÉMITÉ GAUCHE DE LA COUPE

COIN EXTÉRIEUR

À GAUCHE
CÔTÉ GAUCHE **C** → 31.6° → 33.9°
PLACEZ LE BAS DE LA MOULURE
CONTRE LE GUIDE – GARDEZ L'EXTRÉMITÉ DROITE DE LA COUPE

À DROITE
CÔTÉ DROIT **D** → 31.6° → 33.9°
PLACEZ LE DESSUS DE LA MOULURE
CONTRE LE GUIDE – GARDEZ L'EXTRÉMITÉ DROITE DE LA COUPE

Tableau 1 : Moulure en couronne à plat sur la table

Operaciones de la sierra

Moldura de techo acostada en posición plana sobre la mesa

Siga estas instrucciones para cortar moldura de techo:

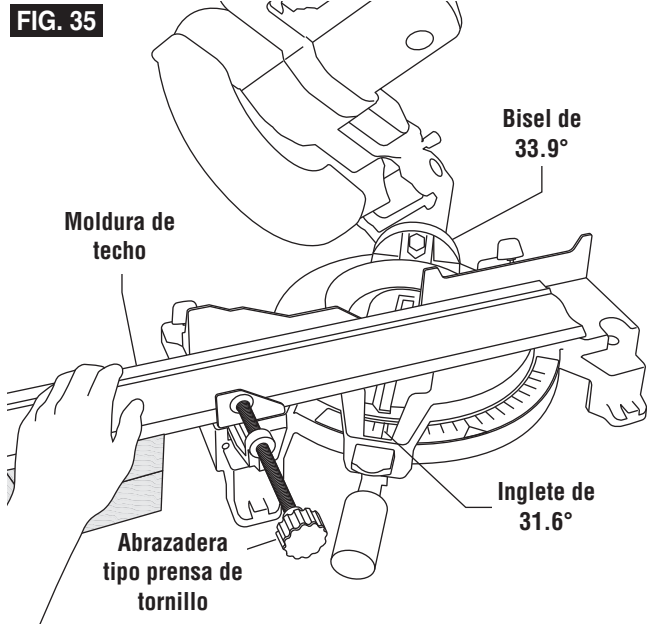
ADVERTENCIA Tenga en cuenta la trayectoria de la hoja. Haga una prueba con la sierra APAGADA, haciendo un ciclo simulado de corte y observe la trayectoria de la hoja. Mantenga las manos por lo menos a seis (6) pulgadas de la trayectoria proyectada de la hoja de sierra.

1. Ajuste los ángulos de bisel y de inglete usando el Cuadro 1 que aparece más abajo. Apriete el pomo de fijación de inglete y el mango de fijación de bisel (Figura 35).
2. Posicione la moldura sobre la mesa de la sierra. Utilice el cuadro que aparece más abajo para determinar la posición correcta. Fije la pieza de trabajo en la posición deseada utilizando la abrazadera tipo prensa de tornillo provista. Utilice un soporte auxiliar para la pieza de trabajo o una base de soporte auxiliar para soportar la moldura de techo. Soporte firmemente la pieza de trabajo con la mano que está ubicada por lo menos a seis (6) pulgadas de la trayectoria proyectada de la hoja de sierra.

ADVERTENCIA Utilice una posición de sujeción con abrazadera que no interfiera con la operación. Antes de encender la sierra, baje el ensamblaje del cabezal para asegurarse de que la abrazadera no toque ni el protector ni el ensamblaje del cabezal.

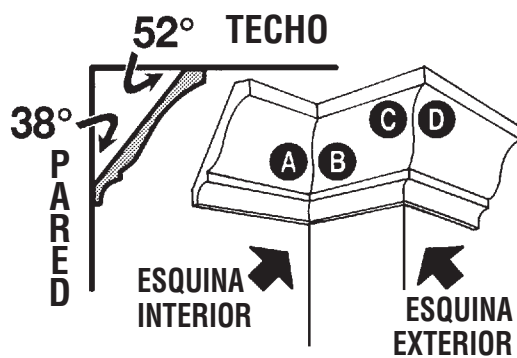
3. Active el interruptor. Baje el ensamblaje del cabezal y haga el corte.

4. Espere hasta que la hoja se detenga por completo antes de retornar el ensamblaje del cabezal a la posición subida y/o retirar la pieza de trabajo.
5. HAGA SIEMPRE UN CORTE DE PRUEBA UTILIZANDO MATERIAL DE DESECHO PARA CONFIRMAR LOS ÁNGULOS CORRECTOS.

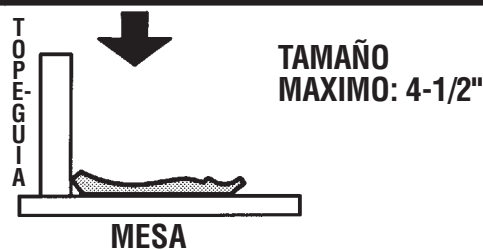


CORTES DE MOLDURA DE TECHO – MOLDURA HORIZONTAL SOBRE LA MESA

MOLDURA DE TECHO ESTANDAR EN LOS EE.UU.



MOLDURA HORIZONTAL SOBRE LA MESA



ESQUINA INTERIOR		
LADO IZQUIERDO A	DERECHA 31.6°	33.9°
COLOQUE LA PARTE SUPERIOR DE LA MOLDURA CONTRA EL TOPE-GUIA – CONSERVE EL EXTREMO IZQUIERDO DEL CORTE		
LADO DERECHO B	IZQUIERDA 31.6°	33.9°
COLOQUE LA PARTE INFERIOR DE LA MOLDURA CONTRA EL TOPE-GUIA – CONSERVE EL EXTREMO IZQUIERDO DEL CORTE		

ESQUINA EXTERIOR		
LADO IZQUIERDO C	IZQUIERDA 31.6°	33.9°
COLOQUE LA PARTE INFERIOR DE LA MOLDURA CONTRA EL TOPE-GUIA – CONSERVE EL EXTREMO DERECHO DEL CORTE		
LADO DERECHO D	DERECHA 31.6°	33.9°
COLOQUE LA PARTE SUPERIOR DE LA MOLDURA CONTRA EL TOPE-GUIA – CONSERVE EL EXTREMO DERECHO DEL CORTE		

Cuadro 1: Moldura de techo horizontal sobre la mesa

Saw Operations

Special Cuts

⚠ WARNING Be aware of the path of the saw blade. Make a dry run with the saw OFF by conducting a simulated cutting cycle, and observe the projected path of the saw blade. Keep hands at least six (6) inches away from the projected path of the saw blade.

Cutting bowed material and round material are only examples of special cuts.

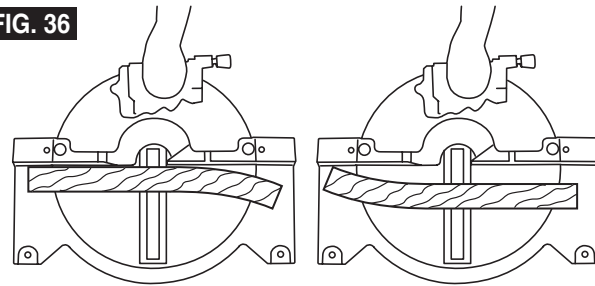
Cutting Bowed Material

⚠ WARNING If workpiece is bowed or warped, clamp it with the outside bowed face toward the fence (Figure 36). Always make certain that there is no gap between the workpiece, fence and table along the line of cut. Bent or warped workpieces can twist or rock and may cause binding on the spinning saw blade while cutting.

Cutting Round or Irregularly Shaped Material

⚠ WARNING For round material such as dowel rods or tubing, always use a clamp 6 or a fixture designed to clamp the workpiece firmly against the fence 7 and table. Rods have a tendency to roll while being cut, causing the blade to "bite" and pull the work with your hand into the blade (Figure 37).

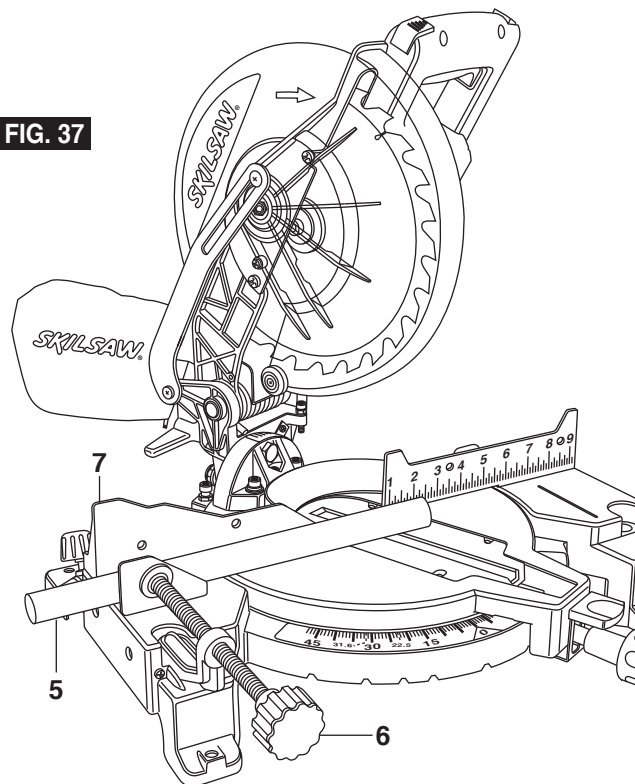
FIG. 36



Correct

Incorrect

FIG. 37



Opérations de la scie

Coupes spéciales

AVERTISSEMENT Soyez attentif à la trajectoire de la lame de scie. Faites un essai de sciage à blanc avec la scie arrêtée, simulez un cycle de sciage et repérez la trajectoire de la lame de scie. Gardez les mains à au moins six (6) pouces de la trajectoire prévue pour la lame de la scie.

La coupe de matériaux courbés et de matériaux ronds ne constitue qu'un exemple de coupes spéciales.

Coupe de matériaux courbés

AVERTISSEMENT Si l'ouvrage est courbé ou gondolé, crampez-le avec la face courbée extérieure dirigée vers le guide. Assurez-vous toujours de l'absence d'un écartement entre l'ouvrage, le guide et la table le long de la ligne de coupe. Les ouvrages pliés ou gondolés peuvent se tordre ou culbuter, et peuvent faire gripper la lame de scie en rotation durant la coupe (Figure 36).

Coupe de matériaux ronds ou de forme irrégulière

AVERTISSEMENT Pour les matériaux ronds 5 tels que les goujons ou les tubes, utilisez toujours un serre-joint 6 ou un dispositif conçu de manière à cramponner l'ouvrage fermement contre le guide 7 et la table. Les goujons ont tendance à rouler pendant qu'on les coupe, ce qui amène la lame à « mordre » et tire l'ouvrage et votre main dans la lame (Figure 37).

Operaciones de la sierra

Cortes especiales

ADVERTENCIA Tenga en cuenta la trayectoria de la hoja. Haga una prueba con la sierra APAGADA, haciendo un ciclo simulado de corte y observe la trayectoria de la hoja. Mantenga las manos por lo menos a seis (6) pulgadas de la trayectoria proyectada de la hoja de sierra.

Los cortes de material arqueado y de material redondo son solamente ejemplos de cortes especiales.

Corte de material arqueado

ADVERTENCIA Si la pieza de trabajo está arqueada o combada, fijela con abrazadera con la cara exterior arqueada orientada hacia el tope-guía. Asegúrese siempre de que no haya espacio libre entre la pieza de trabajo, el tope-guía y la mesa a lo largo de la línea de corte. Las piezas de trabajo dobladas o combadas pueden torcerse u oscilar y pueden causar atasco en la hoja de sierra que gira durante el corte (Figura 36).

Corte de material redondo o que tenga forma irregular

ADVERTENCIA Para material redondo 5, tal como varillas con espiga o tubos, use siempre una abrazadera 6 o un dispositivo de sujeción diseñado para fijar la pieza de trabajo firmemente contra el tope-guía 7 y la mesa. Las varillas tienen tendencia a rodar mientras son cortadas, haciendo que la hoja "muerda" y tire de la pieza de trabajo con la mano del operador hacia la hoja (Figura 37).

Maintenance and Lubrication

Service

⚠ WARNING Preventive maintenance performed by unauthorized personnel may result in misplacing of internal wires and components which could cause serious hazard. We recommend that all tool service be performed by a Skil Factory Service Center or Authorized Skil Service Station.

Carbon Brushes

The brushes and commutator in your tool have been engineered for many hours of dependable service. To maintain peak efficiency of the motor, we recommend every two to six months the brushes be examined. Only genuine Skil replacement brushes specially designed for your tool should be used.

Motor Brush Replacement

To Inspect or Replace Brushes:

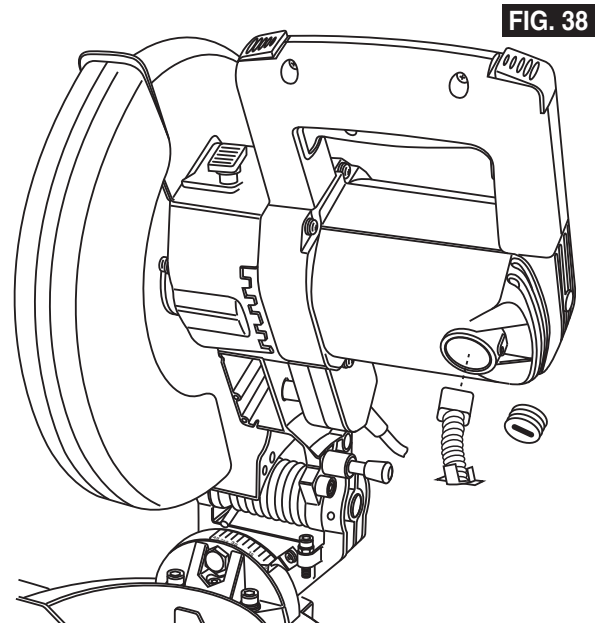
1. Unplug the saw.

⚠ CAUTION The brush cap is spring loaded by the brush assembly.

2. Remove the brush cap on the motor using a wide flat blade screwdriver.
3. Pull out the brush (Figure 38). Repeat for the opposite side.

NOTE: If installing the existing brush or brushes, make sure the brush goes in the same way it came out. Otherwise a break-in period will occur that will reduce motor performance and increase brush wear.

4. Install new brush. The two (2) tabs on the brush terminal go in the same hole the carbon part fits into.
5. Tighten the brush cap but do not overtighten.



Maintenance et lubrification

Entretien

AVERTISSEMENT L'entretien préventif effectué par des personnes non autorisées peut entraîner un positionnement erroné des composants et des fils internes, et ainsi causer des dangers sévères. Il est recommandé que l'entretien et la réparation de nos outils soient confiés à un centre de service-usine Skil ou à un centre de service après-vente Skil agréé.

Balais de charbon

Les balais et le collecteur de votre outil ont été conçus pour donner plusieurs heures de fonctionnement sans aléas. Pour maintenir le moteur en forme, nous recommandons d'examiner les balais tous les deux à six mois. Vous ne devriez utiliser que les balais de rechange d'origine Skil qui conviennent spécialement à votre outil.

Remplacement des balais du moteur

Pour inspecter ou remplacer les balais :

1. Débranchez la scie.

MISE EN GARDE Le capuchon de balai est chargé par ressort par l'ensemble de balai.

2. Retirez le capuchon de balai sur le moteur à l'aide d'un tournevis à lame plate large.
3. Tirez le balai **1** vers l'extérieur (Figure 38). Répétez pour le côté opposé.

REMARQUE : Si vous posez le ou les balais existants, assurez-vous que le balai est inséré de la même façon qu'il en est sorti. Sinon, il s'ensuivra une période de rodage qui réduira la performance du moteur et accroîtra l'usure des balais.

4. Posez le nouveau balai. Les deux (2) languettes sur la borne du balai **2** s'insèrent dans le même trou que celui dans lequel est insérée la pièce en carbone.
5. Serrez le capuchon de balai sans, toutefois, serrer excessivement.

Mantenimiento y lubricación

Servicio

ADVERTENCIA El mantenimiento preventivo realizado por personal no autorizado puede dar lugar a la colocación incorrecta de cables y componentes internos que podría constituir un peligro serio. Recomendamos que todo el servicio de las herramientas sea realizado por un Centro de servicio de fábrica Skil o por una Estación de servicio Skil autorizada.

Escobillas de carbón

Las escobillas y el conmutador de la herramienta han sido diseñados para muchas horas de servicio fiable. Para mantener un rendimiento óptimo del motor, recomendamos que cada dos a seis meses se examinen las escobillas. Sólo se deben usar escobillas de repuesto Skil genuinas diseñadas específicamente para su herramienta.

Cambio de las escobillas del motor

Para inspeccionar o cambiar las escobillas:

1. Desenchufe la sierra.

PRECAUCION La tapa de las escobillas está accionada por resorte por el ensamblaje del cabezal.

2. Quite la tapa de las escobillas que está en el motor usando un destornillador de hoja plana ancha.
3. Tire de la escobilla **1** para sacarla (Figura 38). Repita la operación para el lado contrario.

NOTA: Si instala la escobilla o escobillas existentes, asegúrese de que la escobilla entre del mismo modo en que salió. De lo contrario, se producirá un período de rodaje que reducirá el rendimiento del motor y aumentará el desgaste de las escobillas.

4. Instale la escobilla nueva. Las dos (2) lengüetas del terminal de la escobilla **2** van en el mismo agujero en que se acopla la pieza de carbón.
5. Apriete la tapa de las escobillas pero no la apriete demasiado.

Cleaning

⚠ WARNING To avoid accidents always disconnect the tool from the power supply before cleaning or performing any maintenance. The tool may be cleaned most effectively with compressed dry air. Always wear safety goggles when cleaning tools with compressed air.

Ventilation openings and switch levers must be kept clean and free of foreign matter. Do not attempt to clean by inserting pointed objects through openings.

Develop a regular check to make sure the lower guard is working properly. Clean the lower guard of any sawdust build up with a damp cloth.

Sawdust will accumulate:

- Under the work table
- Under the base
- In the dust chute
- Between the chip deflector and the blade
- In the upper blade guard

⚠ CAUTION Certain cleaning agents and solvents damage plastic parts. Some of these are: gasoline, carbon tetrachloride, chlorinated cleaning solvents, ammonia and household detergents that contain ammonia.

Care of Blades

Blades become dull even from cutting regular lumber. If you find yourself forcing the saw forward to cut instead of just guiding it through the cut, chances are the blade is dull or coated with wood pitch.

When cleaning gum and wood pitch from blade, unplug the saw and remove the blade. Remember, blades are designed to cut, so handle carefully. Wipe the blade with kerosene or similar solvent to remove the gum and pitch. Unless you are experienced in sharpening blades, we recommend you do not try.

Tool Lubrication

Your Skil tool has been properly lubricated and is ready to use. It is recommended that tools with gears be regreased with a special gear lubricant at every brush change.

Bearings

All bearings in this tool are lubricated with a sufficient amount of high grade lubricant for the life of the unit under normal operating conditions. No further lubrication is required.

Nettoyage

⚠ AVERTISSEMENT Pour éviter le risque d'accidents, débranchez toujours l'outil de la prise de courant avant de procéder au nettoyage ou à l'entretien. Vous pouvez très bien le nettoyer à l'air sec comprimé. Dans ce cas, portez toujours des lunettes de sécurité.

Gardez les prises d'air et les interrupteurs propres et libres de débris. N'essayez pas de les nettoyer en introduisant des objets pointus dans leurs ouvertures.

Vérifiez régulièrement pour vous assurer que le protecteur inférieur fonctionne adéquatement. Nettoyez le protecteur inférieur à l'aide d'un chiffon humide pour y enlever toute accumulation de bran de scie.

Le bran de scie s'accumulera :

- sous la table de travail
- sous la base
- dans la chute à poussière
- entre le déflecteur de copeaux et la lame
- dans le protecteur supérieur de lame

⚠ MISE EN GARDE Certains produits de nettoyage et dissolvants dont la gazoline, le tétrachlorure de carbone, les nettoyeurs chlorés, l'ammoniaque et les détergents ménagers contenant de l'ammoniaque peuvent abîmer les pièces en plastique.

Entretien des lames

Les lames finissent par s'émousser, même à couper des pièces de bois régulières. Si vous constatez que vous devez forcer la scie à avancer plutôt que de la guider simplement vers la ligne de coupe, il est probable que la lame est émoussée ou souillée de résine.

Quand vous devez enlever la gomme et la résine de la lame de votre scie, débranchez d'abord la scie avant d'enlever la lame. Souvenez-vous que les lames sont des objets tranchants et qu'elles doivent être manipulées avec soin. Essuyez la lame avec du kérosène ou un dissolvant similaire pour enlever l'accumulation de gomme et de résine. À moins que vous soyez parfaitement familier avec l'affûtage des lames, nous vous déconseillons de l'essayer.

Graissage de l'outil

Votre outil Skil a été convenablement graissé et est prêt à utiliser. Il est recommandé que les outils à engrenages soient regraissés avec une graisse spéciale à l'occasion de tout remplacement de balais.

Roulements

Tous les roulements de cet outil sont lubrifiés à l'aide d'une quantité suffisante de lubrifiant de haute qualité pour toute la durée de l'outil dans des conditions normales d'utilisation. Aucune lubrification ultérieure n'est nécessaire.

Limpieza

⚠ ADVERTENCIA Para evitar accidentes desconecte siempre la herramienta de la fuente de energía antes de la limpieza o de la realización de cualquier mantenimiento. La herramienta se puede limpiar más eficazmente con aire comprimido seco. Use gafas de seguridad siempre que limpie herramientas con aire comprimido.

Las aberturas de ventilación y las palancas de interruptor deben mantenerse limpias y libres de materias extrañas. No intente limpiar introduciendo objetos puntiagudos a través de las aberturas.

Realice una comprobación periódica para asegurarse de que el protector inferior funcione adecuadamente. Limpie todo el serrín que se acumule en el protector inferior usando un paño húmedo.

El serrín se acumulará:

- Debajo de la mesa de trabajo
- Debajo de la base
- En el conducto para polvo
- Entre el deflector de virutas y la hoja
- En el protector superior de la hoja

⚠ PRECAUCION Ciertos agentes de limpieza y disolventes dañan las piezas de plástico. Algunos de estos son: gasolina, tetracloruro de carbono, disolventes de limpieza clorados, amoníaco y detergentes domésticos que contienen amoníaco.

Cuidado de las hojas

Las hojas se desafilan incluso al cortar madera normal. Si usted tiene que forzar la sierra hacia adelante para que corte, en vez de simplemente guiarla a través del corte, lo más probable es que la hoja esté desafilada o cubierta de resina de madera.

Cuando limpie la hoja para quitarle la goma y la resina de madera, desenchufe la sierra y quite la hoja. Recuerde, las hojas están diseñadas para cortar, así que manipúlelas cuidadosamente. Limpie la hoja con queroseno o con un disolvente similar para eliminar la goma y la resina. A menos que usted tenga experiencia en afilar hojas, le recomendamos que no lo intente.

Lubricación de las herramientas

Su herramienta Skil ha sido lubricada adecuadamente y está lista para la utilización. Se recomienda que las herramientas con engranajes se vuelvan a engrasar con un lubricante especial para engranajes en cada cambio de escobillas.

Cojinetes

Todos los cojinetes de esta herramienta están lubricados con una cantidad suficiente de lubricante de alto grado para la vida de la unidad en circunstancias normales de funcionamiento. No se requiere lubricación adicional.

Troubleshooting

⚠ WARNING Turn the switch OFF and always remove plug from the power source before troubleshooting.

- TROUBLE: SAW WILL NOT START**
- PROBLEM**
1. Power cord is not plugged in.
 2. Fuse or circuit breaker tripped.
 3. Cord damaged.
 4. Burned out switch.
- REMEDY**
1. Plug saw in.
 2. Replace fuse or reset tripped circuit breaker.
 3. Have cord replaced by an Authorized Skil Service Center or Service Station.
 4. Have switch replaced by an Authorized Skil Service Center or Service Station.

- TROUBLE: BLADE DOES NOT COME UP TO SPEED**
- PROBLEM**
1. Extension cord too light or too long.
 2. Low house voltage.
- REMEDY**
1. Replace with adequate cord.
 2. Contact your electric company.

- TROUBLE: EXCESSIVE VIBRATION**
- PROBLEM**
1. Blade out of balance.
 2. Saw not mounted securely to stand or workbench.
 3. Arbor Nut not tight.
- REMEDY**
1. Discard Blade and use different blade.
 2. Tighten all mounting hardware.
 3. See "Adjustments" section, "Removing and Installing the Blade".

Diagnostic de dépannage

⚠ AVERTISSEMENT Mettez l'interrupteur à l'arrêt (« OFF ») et débranchez toujours la fiche de la prise de courant avant de faire un diagnostic de dépannage.

- PROBLÈME : LA SCIE NE DÉMARRE PAS.**
- CAUSES POSSIBLES**
1. Le cordon d'alimentation électrique n'est pas branché.
 2. Le fusible est grillé ou le disjoncteur est déclenché.
 3. Le cordon d'alimentation électrique est endommagé.
 4. L'interrupteur est grillé.
- SOLUTIONS**
1. Branchez la scie.
 2. Remplacez le fusible ou réenclenchez le disjoncteur.
 3. Faites remplacer le cordon par une station service ou un centre de service Skil agréé.
 4. Faites remplacer l'interrupteur par une station service ou un centre de service Skil agréé.

- PROBLÈME : LA SCIE N'ATTEINT PAS SA VITESSE NOMINALE.**
- CAUSES POSSIBLES**
1. Le cordon de rallonge a un calibre insuffisant ou est trop long.
 2. La tension secteur est insuffisante.
- SOLUTIONS**
1. Remplacez par un cordon adéquat.
 2. Prévenez la compagnie d'électricité.

- PROBLÈME : VIBRATIONS EXCESSIVES**
- CAUSES POSSIBLES**
1. La lame est déséquilibrée.
 2. La scie n'est pas suffisamment assujettie au support ou à l'établi.
 3. L'écrou de fixation de l'arbre n'est pas assez serré.
- SOLUTIONS**
1. Jetez cette lame et utilisez une autre lame.
 2. Serrez tous les boulons et toutes les vis de fixation.
 3. Voir la rubrique « Retrait et installation de la lame » dans la section « Réglages ».

Resolución de problemas

⚠ ADVERTENCIA Ponga el interruptor en la posición de APAGADO y retire siempre el enchufe de la fuente de alimentación antes de solucionar problemas.

ANOMALÍA: LA SIERRA NO ARRANCA

- PROBLEMA**
1. El cable de alimentación no está enchufado.
 2. El fusible o el cortacircuitos ha saltado.
 3. El cable de alimentación está dañado.
 4. El interruptor está quemado.

- REMEDIO**
1. Enchufe la sierra.
 2. Reemplace el fusible o restablezca el cortacircuitos que ha saltado.
 3. Haga que el cable de alimentación sea reemplazado por un Centro de Servicio Skil Autorizado o una Estación de Servicio Skil Autorizada.
 4. Haga que el interruptor sea reemplazado por un Centro de Servicio Skil Autorizado o una Estación de Servicio Skil Autorizada.

ANOMALÍA: LA HOJA NO ALCANZA TODA SU VELOCIDAD

- PROBLEMA**
1. El cordón de extensión es demasiado delgado o demasiado largo.
 2. El voltaje de la red doméstica es bajo.

- REMEDIO**
1. Reemplace el cordón de extensión con un cordón adecuado.
 2. Contacte a la compañía eléctrica.

ANOMALÍA: VIBRACIÓN EXCESIVA

- PROBLEMA**
1. La hoja está desequilibrada.
 2. La sierra no está montada firmemente sobre una base de soporte o un banco de trabajo.
 3. La tuerca del eje portaherramienta no está apretada.

- REMEDIO**
1. Deseche la hoja y use una hoja diferente.
 2. Apriete todos los herrajes de montaje.
 3. Consulte la sección "Ajustes", "Remoción e instalación de la hoja".

Notes:
Remarques :
Notas:

LIMITED WARRANTY OF SKIL CONSUMER BENCHTOP POWER TOOLS

Robert Bosch Tool Corporation ("Seller") warrants to the original purchaser only, that all SKIL consumer benchtop power tools will be free from defects in material or workmanship for a period of three years from date of purchase, if original purchaser registers the product within 30 days from purchase. Product registration can be completed online at www.skil.com or by mail with the registration card included in the packaged product. Original purchasers should also retain their receipt as proof of purchase. Original purchasers that do not register their product will receive the standard Skil one year home use warranty. SKIL consumer benchtop portable power tool models will be free from defects in material or workmanship for a period of ninety days if the tool is used for professional use.

SELLER'S SOLE OBLIGATION AND YOUR EXCLUSIVE REMEDY under this Limited Warranty and, to the extent permitted by law, any warranty or condition implied by law, shall be the repair or replacement of parts, without charge, which are defective in material or workmanship and which have not been misused, carelessly handled, or misrepaired by persons other than Seller or Authorized Service Station. To make a claim under this Limited Warranty, you must return the complete product, transportation prepaid, to any SKIL Factory Service Center or Authorized Service Station. For Authorized SKIL Power Tool Service Stations, please visit www.skil.com or call 1-877-SKIL-999 (1-877-754-5999).

THIS LIMITED WARRANTY DOES NOT APPLY TO ACCESSORY ITEMS SUCH AS CIRCULAR SAW BLADES, DRILL BITS, ROUTER BITS, JIGSAW BLADES, SANDING BELTS, GRINDING WHEELS AND OTHER RELATED ITEMS.

ANY IMPLIED WARRANTIES SHALL BE LIMITED IN DURATION TO ONE YEAR FROM DATE OF PURCHASE. SOME STATES IN THE U.S., SOME CANADIAN PROVINCES DO NOT ALLOW LIMITATIONS ON HOW LONG AN IMPLIED WARRANTY LASTS, SO THE ABOVE LIMITATION MAY NOT APPLY TO YOU.

IN NO EVENT SHALL SELLER BE LIABLE FOR ANY INCIDENTAL OR CONSEQUENTIAL DAMAGES (INCLUDING BUT NOT LIMITED TO LIABILITY FOR LOSS OF PROFITS) ARISING FROM THE SALE OR USE OF THIS PRODUCT. SOME STATES IN THE U.S. AND SOME CANADIAN PROVINCES DO NOT ALLOW THE EXCLUSION OR LIMITATION OF INCIDENTAL OR CONSEQUENTIAL DAMAGES, SO THE ABOVE LIMITATION OR EXCLUSION MAY NOT APPLY TO YOU.

THIS LIMITED WARRANTY GIVES YOU SPECIFIC LEGAL RIGHTS, AND YOU MAY ALSO HAVE OTHER RIGHTS WHICH VARY FROM STATE TO STATE IN THE U.S., PROVINCE TO PROVINCE IN CANADA AND FROM COUNTRY TO COUNTRY.

THIS LIMITED WARRANTY APPLIES ONLY TO PRODUCTS SOLD WITHIN THE UNITED STATES OF AMERICA, CANADA AND THE COMMONWEALTH OF PUERTO RICO. FOR WARRANTY COVERAGE WITHIN OTHER COUNTRIES, CONTACT YOUR LOCAL SKIL DEALER OR IMPORTER.

GARANTIE LIMITÉE DES OUTILS ÉLECTRIQUES GRAND PUBLIC SKIL DE TABLE

Robert Bosch Tool Corporation (le « Vendeur ») garantit à l'acheteur initial seulement que tous les outils électriques grand public SKIL de table seront exempts de vices de matériau ou de façon pendant une période de trois ans depuis la date d'achat si l'acheteur initial enregistre le produit dans les 30 jours suivant l'achat. L'enregistrement du produit peut être effectué en ligne à www.skil.com ou par courrier postal en renvoyant la carte d'enregistrement incluse dans l'emballage du produit. Les acheteurs initiaux doivent également conserver leur reçu comme justificatif de leur achat. Les acheteurs initiaux qui n'enregistrent pas leur produit recevront la garantie Skil standard d'un an pour les produits utilisés à domicile. Les modèles d'outils électriques grand public SKIL de table sont garantis exempts de vices de matériau ou de façon pendant une période de quatre-vingt-dix jours si l'outil est utilisé professionnellement.

LA SEULE OBLIGATION DU VENDEUR ET LE SEUL RECOURS DE L'ACHETEUR sous la présente garantie limitée, et dans la mesure où la loi le permet sous toute garantie ou condition implicite qui en découlerait, sera l'obligation de remplacer ou réparer gratuitement les pièces défectueuses en termes de matériau ou de façon, pourvu que lesdites déficiences ne soient pas attribuables à un usage abusif ou à quelque réparation ou altération bricolée par quelqu'un d'autre que le Vendeur ou le personnel d'une station-service agréée. En cas de réclamation sous la présente garantie limitée, l'acheteur est tenu de renvoyer l'outil complet en port payé à un centre de service-usine SKIL ou une station-service agréée. Pour trouver les coordonnées de la station-service agréée SKIL la plus proche, veuillez visiter www.skil.com ou téléphoner au 1-877-SKIL-999 (1-877-754-5999).

LA PRÉSENTE GARANTIE NE S'APPLIQUE PAS AUX ACCESSOIRES TELS QUE LAMES DE SCIE CIRCULAIRE, MÈCHES DE PERCEUSES, FERS DE TOUPIES, LAMES DE SCIES SAUTEUSES, COURROIES DE PONÇAGE, MEULES ET AUTRES ARTICLES DU GENRE.

TOUTE GARANTIE IMPLICITE SERA LIMITÉE À UNE DURÉE À UN AN À COMPTER DE LA DATE D'ACHAT. COMME CERTAINS ÉTATS AMÉRICAINS ET CERTAINES PROVINCES CANADIENNES N'ADMETTENT PAS LE PRINCIPE DE LA LIMITATION DE LA DURÉE DES GARANTIES IMPLICITES, IL EST POSSIBLE QUE LES LIMITATIONS CI-DESSUS NE S'APPLIQUENT PAS À VOTRE CAS.

EN AUCUN CAS LE VENDEUR NE SAURAIT ÊTRE TENU POUR RESPONSABLE DES INCIDENTS OU DOMMAGES INDIRECTS (INCLUANT, MAIS NE SE LIMITANT PAS AUX PERTES DE PROFITS) CONSÉCUTIFS À LA VENTE OU À L'USAGE DE CE PRODUIT. COMME CERTAINS ÉTATS AMÉRICAINS ET CERTAINES PROVINCES CANADIENNES N'ADMETTENT PAS LE PRINCIPE DE LA LIMITATION OU DE L'EXCLUSION DES DOMMAGES INDIRECTS ET SECONDAIRES, IL EST POSSIBLE QUE LES LIMITATIONS OU EXCLUSIONS CI-DESSUS NE S'APPLIQUENT PAS À VOTRE CAS.

CETTE GARANTIE LIMITÉE VOUS DONNE DES DROITS PRÉCIS, ET VOUS POUVEZ ÉGALEMENT AVOIR D'AUTRES DROITS QUI VARIENT D'UN ÉTAT À L'AUTRE AUX ÉTATS-UNIS, D'UNE PROVINCE À L'AUTRE AU CANADA, ET D'UN PAYS À L'AUTRE.

CETTE GARANTIE LIMITÉE S'APPLIQUE UNIQUEMENT AUX OUTILS VENDUS AUX ÉTATS-UNIS D'AMÉRIQUE, AU CANADA ET DANS LE COMMONWEALTH DE PORTO RICO. POUR CONNAÎTRE LA COUVERTURE DE GARANTIE DANS LES AUTRES PAYS, CONTACTEZ VOTRE IMPORTATEUR OU REVENDEUR SKIL LOCAL.

GARANTÍA LIMITADA PARA HERRAMIENTAS ELÉCTRICAS DE BANCO DE CONSUMO SKIL

Robert Bosch Tool Corporation ("el Vendedor") garantiza, únicamente al comprador original, que todas las herramientas eléctricas de banco de consumo SKIL estarán libres de defectos de material o de fabricación durante un período de tres años a partir de la fecha de compra, si el comprador original registra el producto dentro del plazo de 30 días después de la fecha de compra. El registro del producto se puede completar a través de Internet en www.skil.com o por correo con la tarjeta de registro incluida en el producto empaquetado. Los compradores originales también deberán retener su recibo como comprobante de compra. Los compradores originales que no registren su producto recibirán la garantía de uso doméstico de un año Skil estándar. Los modelos de herramientas eléctricas portátiles de banco de consumo SKIL estarán libres de defectos de material o de fabricación durante un período de noventa días si la herramienta se emplea para uso profesional.

LA ÚNICA OBLIGACIÓN DEL VENDEDOR Y EL RECURSO EXCLUSIVO QUE USTED TIENE bajo esta Garantía Limitada y, hasta donde la ley lo permita, bajo cualquier garantía o condición implícita por ley, consistirá en la reparación o sustitución sin costo de las piezas que presenten defectos de material o de fabricación y que no hayan sido utilizadas incorrectamente, manejadas descuidadamente o reparadas incorrectamente por personas que no sean el Vendedor o una Estación de servicio autorizada. Para efectuar una reclamación bajo esta Garantía Limitada, usted debe devolver el producto completo, con el transporte prepagado, a cualquier Centro de servicio de fábrica SKIL o Estación de servicio SKIL autorizada. Para localizar Estaciones de servicio autorizadas de herramientas mecánicas SKIL, sírvase visitar www.skil.com o llame al 1-877-SKIL-999 (1-877-754-5999).

ESTA GARANTÍA LIMITADA NO SE APLICA A ARTÍCULOS ACCESORIOS TALES COMO HOJAS PARA SIERRAS CIRCULARES, BROCAS PARA TALADROS, BROCAS PARA FRESADORAS, HOJAS PARA SIERRAS DE VAIVÉN, CORREAS PARA LIJAR, RUEDAS DE AMOLAR Y OTROS ARTÍCULOS RELACIONADOS.

TODAS LAS GARANTÍAS IMPLÍCITAS TENDRÁN UNA DURACIÓN LIMITADA A UN AÑO A PARTIR DE LA FECHA DE COMPRA. ALGUNOS ESTADOS DE LOS EE.UU. Y ALGUNAS PROVINCIAS CANADIENSES NO PERMITEN LIMITACIONES EN CUANTO A LA DURACIÓN DE UNA GARANTÍA IMPLÍCITA, POR LO QUE ES POSIBLE QUE LA LIMITACIÓN ANTERIOR NO SEA APLICABLE EN EL CASO DE USTED.

EL VENDEDOR NO SERÁ RESPONSABLE EN NINGÚN CASO DE NINGÚN DAÑO INCIDENTAL O EMERGENTE (INCLUYENDO PERO NO LIMITADO A RESPONSABILIDAD POR PÉRDIDA DE BENEFICIOS) QUE SE PRODUZCA COMO CONSECUENCIA DE LA VENTA O UTILIZACIÓN DE ESTE PRODUCTO. ALGUNOS ESTADOS DE LOS EE.UU. Y ALGUNAS PROVINCIAS CANADIENSES NO PERMITEN LA EXCLUSIÓN O LIMITACIÓN DE LOS DAÑOS INCIDENTALES O EMERGENTES, POR LO QUE ES POSIBLE QUE LA LIMITACIÓN O EXCLUSIÓN ANTERIOR NO SEA APLICABLE EN EL CASO DE USTED.

ESTA GARANTÍA LIMITADA LE CONFIERE A USTED DERECHOS LEGALES ESPECÍFICOS Y ES POSIBLE QUE USTED TAMBIÉN TENGA OTROS DERECHOS QUE VARIAN DE ESTADO A ESTADO EN LOS EE.UU., DE PROVINCIA A PROVINCIA EN CANADÁ Y DE PAÍS EN PAÍS.

ESTA GARANTÍA LIMITADA SE APLICA SÓLO A LOS PRODUCTOS VENDIDOS EN LOS ESTADOS UNIDOS DE AMÉRICA, CANADÁ Y EL ESTADO LIBRE ASOCIADO DE PUERTO RICO. PARA COBERTURA DE GARANTÍA EN OTROS PAÍSES, PÓNGASE EN CONTACTO CON SU DISTRIBUIDOR O IMPORTADOR LOCAL DE SKIL.

© Robert Bosch Tool Corporation 1800 W. Central Road Mt. Prospect, IL 60056-2230

Exportado por: Robert Bosch Tool Corporation Mt. Prospect, IL 60056-2230, E.U.A.

Importado a México por: Robert Bosch, S.A. de C.V., Calle Robert Bosch No. 405, Zona Industrial, Toluca, Edo. de México, C.P. 50070, Tel. (722) 2792300