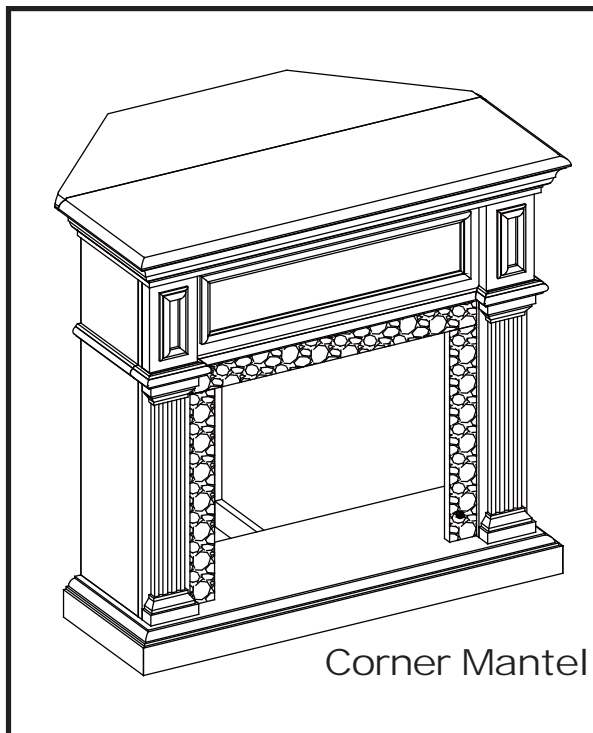
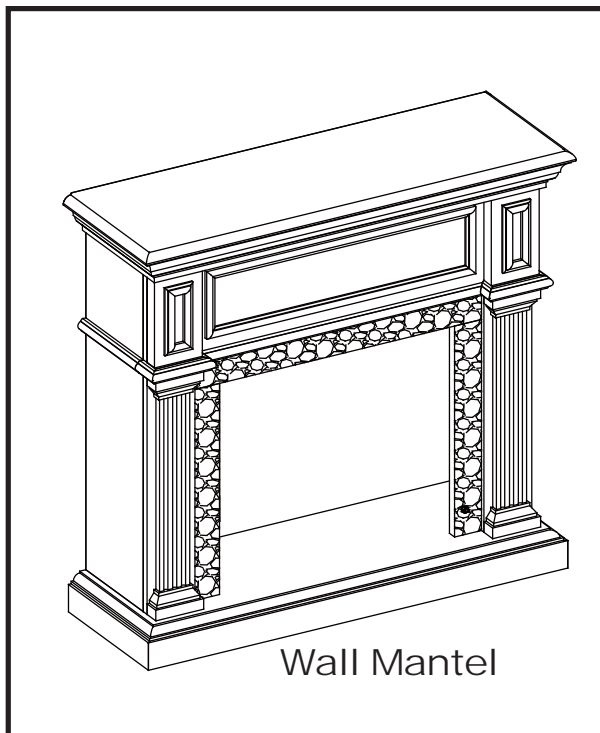


# WOOD FIREPLACE MANTEL

## 23DM088

### ASSEMBLY INSTRUCTIONS



PART	PARTS LIST DESCRIPTION	QUANTITY
A	Hearth/Base	1
B	Left Front Panel	1
C	Right Front Panel	1
D	Center Front Panel	1
E	Left Side Panel	1
F	Right Side Panel	1
G	Mantel/Top	1
H	Back Panel	2
P	Top Corner Extension	1
Q	"L" Corner Brace	1
<b>HARDWARE</b>		
L	Bolt 1/4" x 1 1/4"	30
M	Washer	30
N	Wood Dowel	23

Twin-Star International, Inc.  
Delray Beach, FL 33445

Made in China  
Printed in China

#### For Customer Service:

E-mail: [parts@twinstarhome.com](mailto:parts@twinstarhome.com)  
In English call: 866-661-1218  
In French call: 866-374-9203  
In Spanish call: 866-661-1218

#### ATTENTION

ALSO Requires - Electric  
Fireplace Insert with Heater

# PLEASE READ AND FOLLOW ALL SAFETY TIPS

## GETTING STARTED

1. Before assembly, CAREFULLY use scissors or utility knife to cut and unwrap all parts. Make sure you do not discard the hardware.
2. Make sure that you have all the parts listed. If you are missing any parts please email Customer Service: parts@twinstarhome.com or call 1-866-661-1218 in English, 1-866-374-9203 in French or 1-866-661-1218 in Spanish. Please identify the parts you need and model number. Make sure to include your name and address.



**CAUTION:**

**DO NOT MOVE MANTEL OR INSERT WHILE PLUGGED INTO POWER SUPPLY.**

## HELPFUL HINTS

- Some steps are more easily handled with two adults.
- Attach the fireplace insert to the completed wood mantel last. INSTALL INSERT IN FROM THE BACK OF THE FIREPLACE SO AS NOT TO SCRATCH THE HEARTH/BASE.
- Use care in assembling your new fireplace, take your time and use the hardware provided and a quality Phillips head screwdriver. NEVER OVER TIGHTEN BOLTS.
- Do not sit on top of the mantel.

## CARE & CLEANING

1. Dust your fireplace regularly with a soft non-lint producing cloth or household dusting product.
2. You can clean your fireplace with a gentle non-abrasive household cleaner. Make sure to dry your fireplace immediately with a soft cloth or towel.

**For a complete tight fit every bolt should have a flat washer. First slide a flat washer onto the bolt. Your bolt is now ready for use.**

**Now it is time to assemble your Fireplace. All panels are labeled Left and Right as viewed from the front of unit.**

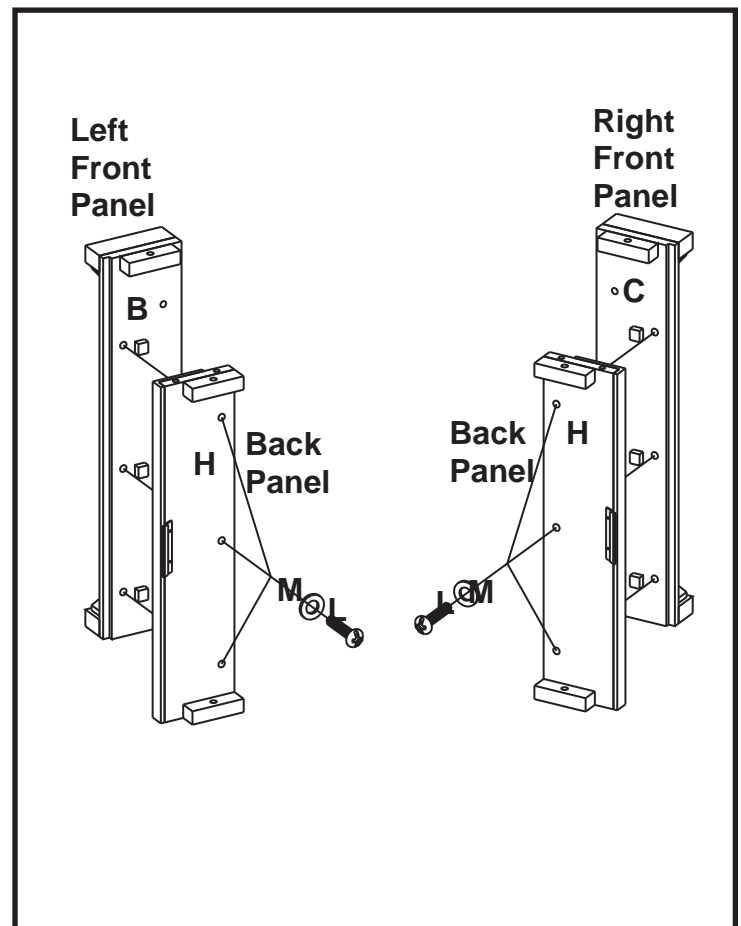
**!** To avoid scratching the finish of your new cabinet place all parts on a scratch free surface such as a rug or carpet.

1. Locate Left Front Panel (B) and Back Panel (H), attach the Back Panel (H) to the Left Front Panel (B) with Bolts (L) and Washers (M) through the pre-drilled holes.

**HAND TIGHTEN ONLY**

2. Locate Right Front Panel (C) and Back Panel (H), attach the Back Panel (H) to the Right Front Panel (C) with Bolts (L) and Washers (M) through the pre-drilled holes.

**HAND TIGHTEN ONLY**



3. Insert one Wood Dowel (N) into each of the pre-drilled holes.
4. Push the Right Front Panel (C) and Left Front Panel (B) snug to the Center Front Panel (D). Make sure the Wood Dowels are seated in the pre-drilled holes. Insert Bolts (L) and Washers (M) into the holes in the mounting blocks.

**HAND TIGHTEN ONLY.**

5. Locate Hearth/Base (A) and set out finished side up on the floor.
6. Insert one Wood Dowel (N) into each of the pre-drilled holes.
7. Attach the Completed Front Panel Assembly from step 4 to the Hearth/Base (A). Make sure the dowels are seated into the pre-drilled holes in the Hearth/Base. Using Bolts (L) and Washers (M) attach panels through pre-drilled holes in the mounting blocks.

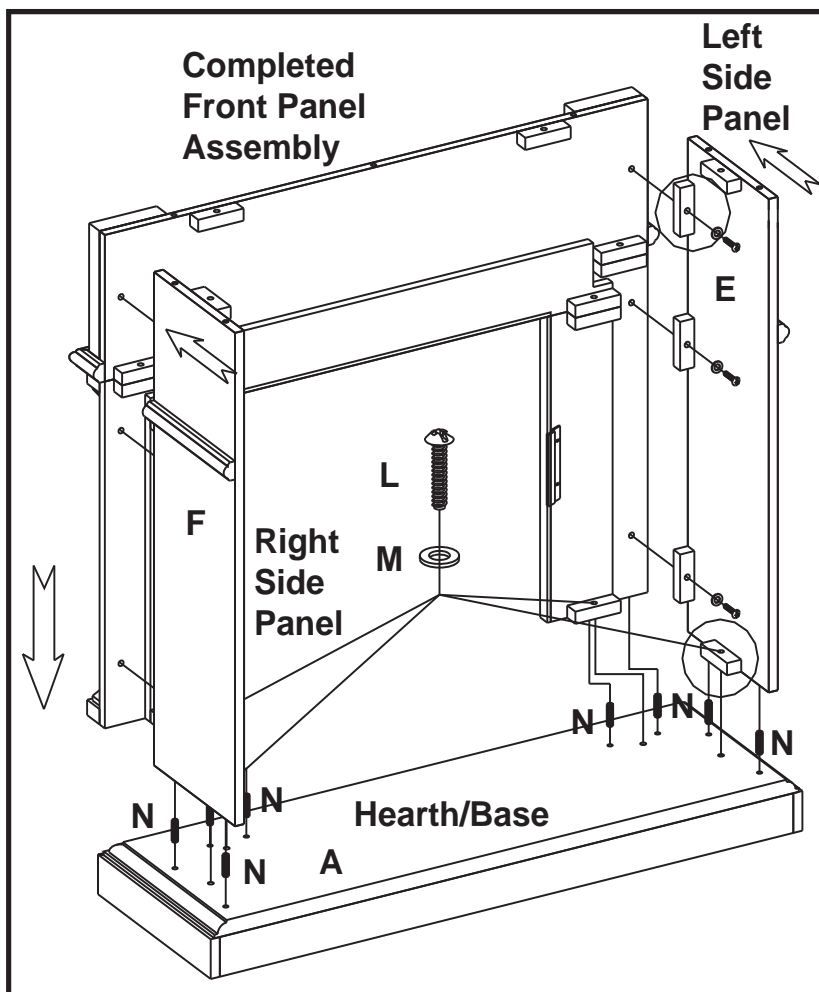
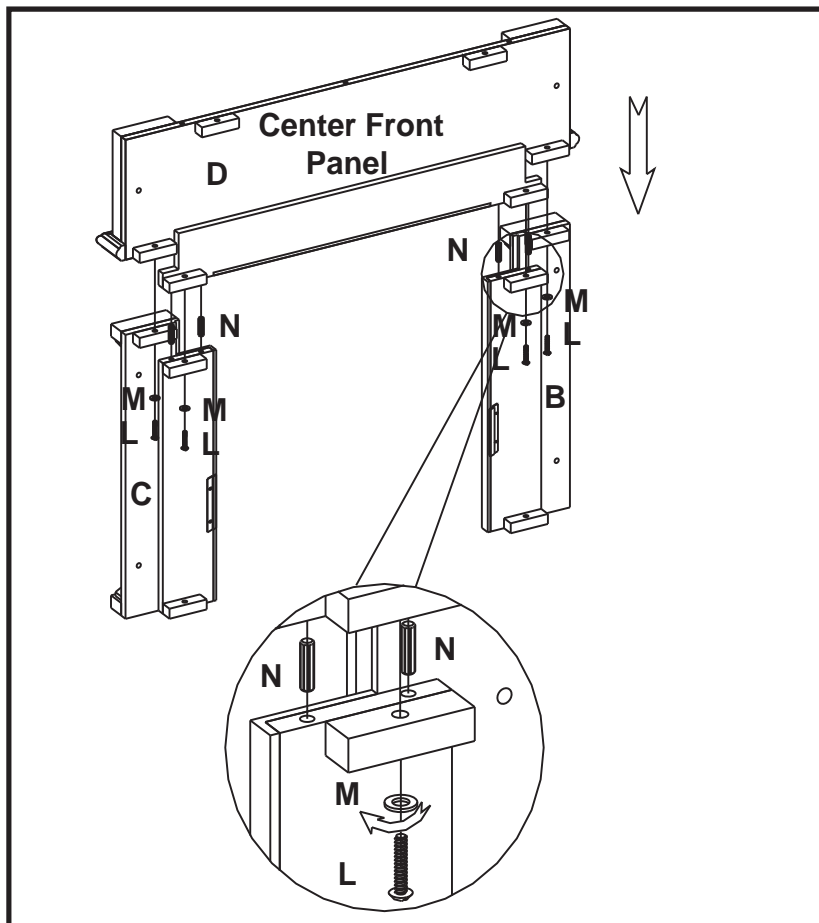
**HAND TIGHTEN ONLY.**

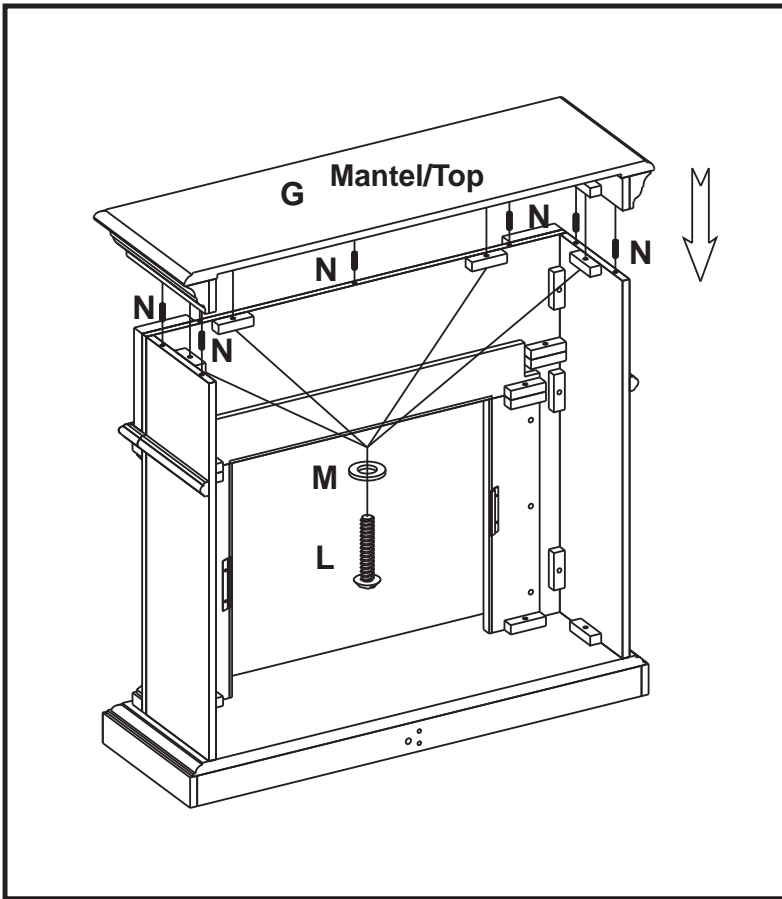
8. Locate Left Side Panel (E), insert one Wood Dowel (N) into each of the pre-drilled holes. Then use Bolts (L) and Washers (M) through the pre-drilled holes in the mounting blocks. Attach the Side Panel to Hearth/Base (A) and the completed front assembly.

**HAND TIGHTEN ONLY.**

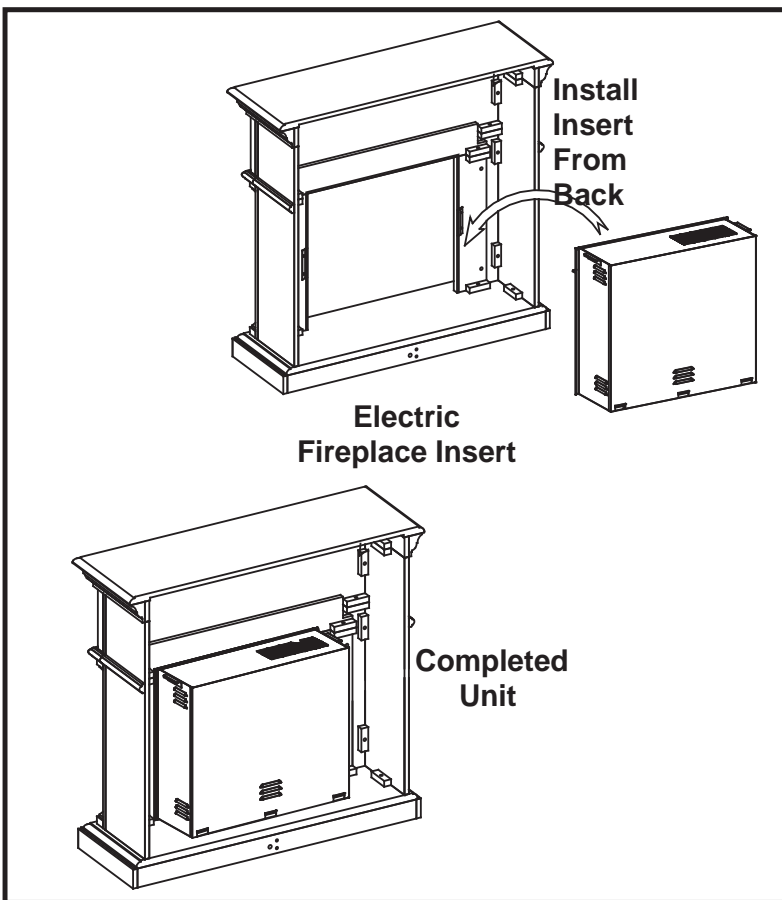
9. Locate Right Side Panel (F), insert one Wood Dowel (N) into each of the pre-drilled holes. Then use Bolts (L) and Washers (M) through the pre-drilled holes in the mounting blocks. Attach the Side Panel to Hearth/Base (A) and the completed front assembly.

**HAND TIGHTEN ONLY.**





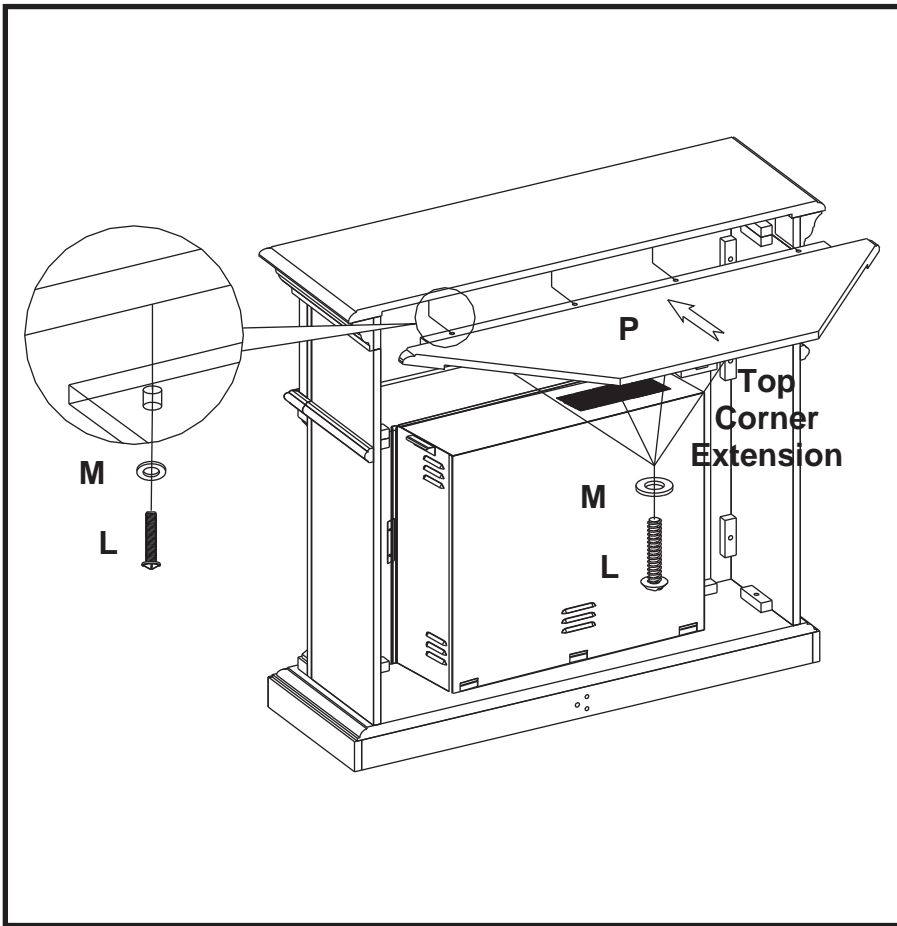
10. Insert one Wood Dowel (N) into each of the pre-drilled holes on the top edges of the Assembly from step 9. Then locate Mantel/Top (G) and lay finished side up on top of completed assembly. From the inside, attach Mantel/Top (G) using Bolts (L) and Washers (M) through the pre-drilled holes in the mounting blocks. **HAND TIGHTEN ONLY.**
11. Using Phillips head screwdriver tighten all Bolts alternating top and bottom, left and right.



12. Remove the two mounting brackets attached to the back of the Left and Right Front panels. Set aside with the wood screws.
 

**PLEASE READ ALL “ELECTRIC FIREPLACE INSERT” INSTRUCTIONS PRIOR TO INSTALLING ELECTRIC INSERT IN YOUR COMPLETED FIREPLACE MANTEL. INSTALL THE INSERT IN YOUR FIREPLACE CLOSE TO ITS FINAL POSITION.**
13. Lift insert carefully into the back of the unit and center in the insert opening. Do not drag insert across Hearth/Base (A) as it may scratch your unit.
14. Install the mounting brackets to hold insert flush against the inside of the mantel front panel.
 

**MOVE YOUR COMPLETED UNIT ONLY SHORT DISTANCES. MOVE COMPLETED UNIT WITH GREAT CARE. IT TAKES TWO PEOPLE TO MOVE COMPLETED UNIT INTO ITS FINAL POSITION.**



**We recommend having an assistant hold the back corner of the Top piece during steps 14, 15 and 16.**

15. Carefully slide Top Corner Extension piece into place at rear of Mantel/Top. Then use Bolts (L) and Washers (M) through the pre-drilled holes in the mounting blocks.

**HAND TIGHTEN ONLY.**

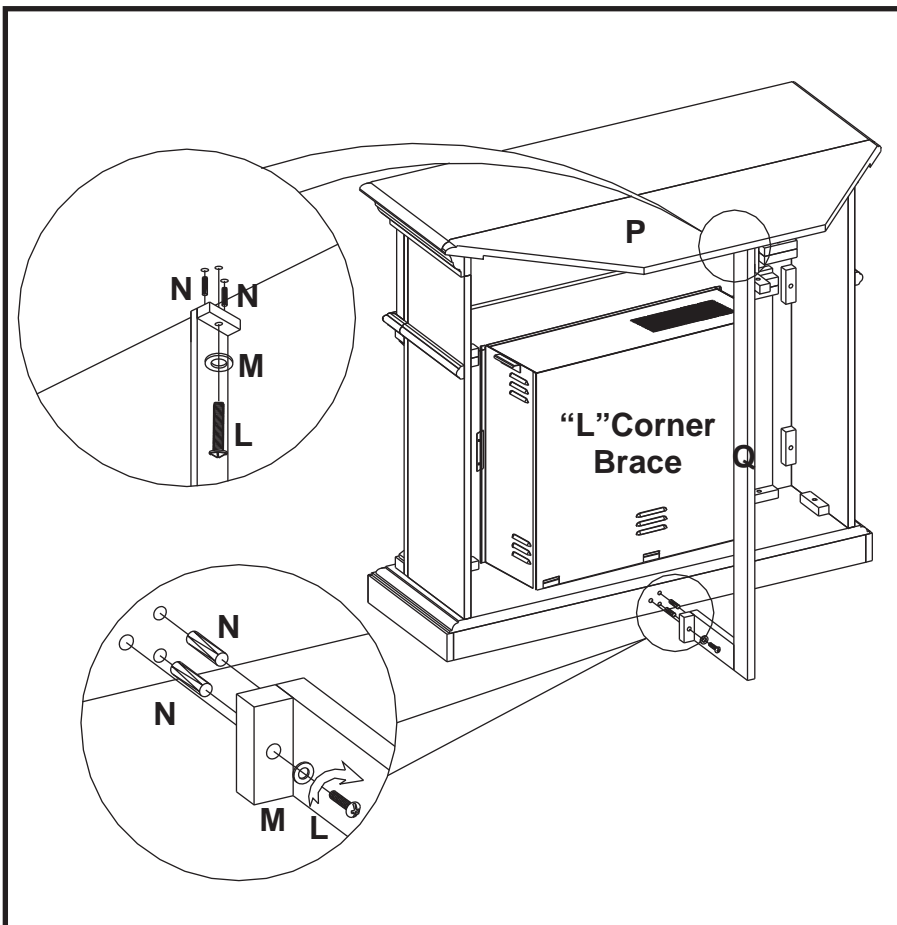
16. Locate “L” shaped Corner Brace (Q), insert one Wood dowel (N) into each of the pre-drilled holes, set part aside.
17. Gently lift back of Corner and line up dowels in top of “L” Brace with pre-drilled holes at bottom of Top Corner Extension. Slide dowels into holes and secure with Bolts (L) and Washers (M).

**HAND TIGHTEN ONLY.**

18. Slide the bottom of the “L” Brace dowels into place, and attach with Bolts (L) and Washers (M).

**HAND TIGHTEN ONLY.**

Now you may tighten down all the bolts holding the Corner Back assembly. Be careful not to over tighten.



Twin-Star International, Inc.  
 Delray Beach, FL 33445  
 In English: 1-866-661-1218  
 In Spanish: 1-866-661-1218

Model# 23DM088  
 Made in China  
 Printed in China

© 2009, Twin-Star International, Inc.