



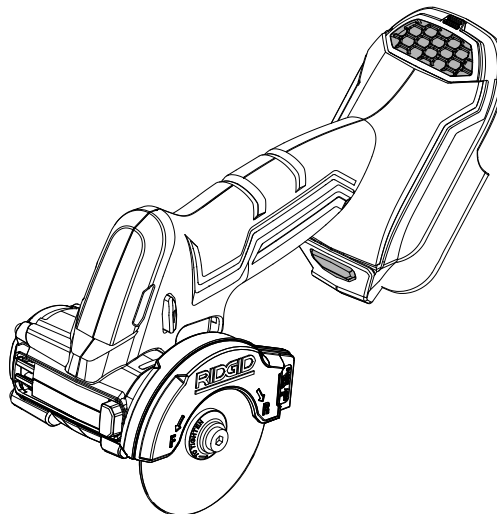
OPERATOR'S MANUAL MANUEL D'UTILISATION MANUAL DEL OPERADOR

18 VOLT 3 in. BRUSHLESS MULTI-MATERIAL SAW

SCIE MULTI MATÉRIAU SANS
BALAI 18 V de 76,20 mm (3 po)

SIERRA PARA VARIOS MATERIALES SIN ESCOBILLAS
de 18 V de 76,20 mm (3 pulg.)

R87547



To register your RIDGID product, please visit:
<http://register.RIDGID.com>

Pour enregistrer votre produit de RIDGID, s'il vous plaît la visite :
<http://register.RIDGID.com>

Para registrar su producto de RIDGID, por favor visita:
<http://register.RIDGID.com>

INCLUDES: Multi-Material Saw, Tile Cutting Wheel, Metal Cutting Wheel, Carbide Abrasive Cutting Wheel, Shoe, Clamp, Operator's Manual

TABLE OF CONTENTS

- General Power Tool Safety Warnings2-3
- Safety Instructions for Multi-material Saws3-5
- Symbols..... 6
- Features..... 7
- Assembly7-8
- Operation.....8-11
- Maintenance..... 12
- Illustrations13-14
- Parts Ordering and ServiceBack page

INCLUT : Scie multi matériau, meule à tronçonner pour carrelage, meule à tronçonner pour métal, meule à tronçonner abrasive en carbure, patin, bride, manuel d'utilisation

TABLE DES MATIÈRES

- Avertissements de sécurité générales relatives aux outils électriques2-3
- Consignes de sécurité pour la scie multi matériau3-5
- Symboles..... 6
- Caractéristiques 7
- Assemblage.....7-8
- Utilisation8-11
- Entretien 11
- Illustrations12-13
- Commande de pièces et dépannagePage arrière

INCLUYE: Sierra para varios materiales, disco para cortar losas, disco para cortar metal, disco de corte abrasivo de carburo, zapata, abrazadera, manual del operador

ÍNDICE DE CONTENIDO

- Advertencias de seguridad para herramientas eléctrica 2-3
- Instrucciones de seguridad para sierras de varios materiales 3-5
- Símbolos.....6
- Características.....7
- Armado7-8
- Funcionamiento 8-11
- Mantenimiento 11
- Ilustraciones..... 12-13
- Pedidos de piezas y servicio..... Pág. posterior

⚠ WARNING:

To reduce the risk of injury, the user must read and understand the operator's manual before using this product.

⚠ AVERTISSEMENT :

Pour réduire les risques de blessures, l'utilisateur doit lire et veiller à bien comprendre le manuel d'utilisation avant d'utiliser ce produit.

⚠ ADVERTENCIA:

Para reducir el riesgo de lesiones, el usuario debe leer y comprender el manual del operador antes de usar este producto.

SAVE THIS MANUAL FOR FUTURE REFERENCE

CONSERVER CE MANUEL POUR FUTURE RÉFÉRENCE

GUARDE ESTE MANUAL PARA FUTURAS CONSULTAS

GENERAL POWER TOOL SAFETY WARNINGS

WARNING

Read all safety warnings, instructions, illustrations and specifications provided with this power tool. Failure to follow all instructions listed below may result in electric shock, fire and/or serious injury.

Save all warnings and instructions for future reference.

The term “power tool” in the warnings refers to your mains-operated (corded) power tool or battery-operated (cordless) power tool.

WORK AREA SAFETY

- **Keep work area clean and well lit.** Cluttered or dark areas invite accidents.
- **Do not operate power tools in explosive atmospheres, such as in the presence of flammable liquids, gases or dust.** Power tools create sparks which may ignite the dust or fumes.
- **Keep children and bystanders away while operating a power tool.** Distractions can cause you to lose control.

ELECTRICAL SAFETY

- **Power tool plugs must match the outlet. Never modify the plug in any way. Do not use any adapter plugs with earthed (grounded) power tools.** Unmodified plugs and matching outlets will reduce risk of electric shock.
- **Avoid body contact with earthed or grounded surfaces such as pipes, radiators, ranges and refrigerators.** There is an increased risk of electric shock if your body is earthed or grounded.
- **Do not expose power tools to rain or wet conditions.** Water entering a power tool will increase the risk of electric shock.
- **Do not abuse the cord. Never use the cord for carrying, pulling or unplugging the power tool. Keep cord away from heat, oil, sharp edges or moving parts.** Damaged or entangled cords increase the risk of electric shock.
- **When operating a power tool outdoors, use an extension cord suitable for outdoor use.** Use of a cord suitable for outdoor use reduces the risk of electric shock.
- **If operating a power tool in a damp location is unavoidable, use a ground fault circuit interrupter (GFCI) protected supply.** Use of a GFCI reduces the risk of electric shock.
- **Use this product only with batteries and chargers listed in tool/appliance/battery pack/charger correlation supplement 988000-302.**

PERSONAL SAFETY

- **Stay alert, watch what you are doing and use common sense when operating a power tool. Do not use a power tool while you are tired or under the influence of drugs, alcohol or medication.** A moment of inattention while operating power tools may result in serious personal injury.
- **Use personal protective equipment. Always wear eye protection.** Protective equipment such as dust mask, non-skid safety shoes, hard hat, or hearing protection used for appropriate conditions will reduce personal injuries.
- **Prevent unintentional starting. Ensure the switch is in the off-position before connecting to power source and/or battery pack, picking up or carrying the tool.** Carrying power tools with your finger on the switch or energising power tools that have the switch on invites accidents.
- **Remove any adjusting key or wrench before turning the power tool on.** A wrench or a key left attached to a rotating part of the power tool may result in personal injury.
- **Do not overreach. Keep proper footing and balance at all times.** This enables better control of the power tool in unexpected situations.
- **Dress properly. Do not wear loose clothing or jewellery. Keep your hair, clothing and gloves away from moving parts.** Loose clothes, jewellery or long hair can be caught in moving parts.
- **If devices are provided for the connection of dust extraction and collection facilities, ensure these are connected and properly used.** Use of dust collection can reduce dust-related hazards.
- **Do not let familiarity gained from frequent use of tools allow you to become complacent and ignore tool safety principles.** A careless action can cause severe injury within a fraction of a second.
- **Do not wear loose clothing or jewelry. Contain long hair.** Loose clothes, jewelry, or long hair can be drawn into air vents.
- **Do not use on a ladder or unstable support.** Stable footing on a solid surface enables better control of the power tool in unexpected situations.

POWER TOOL USE AND CARE

- **Do not force the power tool. Use the correct power tool for your application.** The correct power tool will do the job better and safer at the rate for which it was designed.
- **Do not use the power tool if the switch does not turn it on and off.** Any power tool that cannot be controlled with the switch is dangerous and must be repaired.

GENERAL POWER TOOL SAFETY WARNINGS

- **Disconnect the plug from the power source and/or remove the battery pack, if detachable, from the power tool before making any adjustments, changing accessories, or storing power tools.** Such preventive safety measures reduce the risk of starting the power tool accidentally.
- **Store idle power tools out of the reach of children and do not allow persons unfamiliar with the power tool or these instructions to operate the power tool.** Power tools are dangerous in the hands of untrained users.
- **Maintain power tools and accessories. Check for misalignment or binding of moving parts, breakage of parts and any other condition that may affect the power tool's operation. If damaged, have the power tool repaired before use.** Many accidents are caused by poorly maintained power tools.
- **Keep cutting tools sharp and clean.** Properly maintained cutting tools with sharp cutting edges are less likely to bind and are easier to control.
- **Use the power tool, accessories and tool bits etc. in accordance with these instructions, taking into account the working conditions and the work to be performed.** Use of the power tool for operations different from those intended could result in a hazardous situation.
- **Keep handles and grasping surfaces dry, clean and free from oil and grease.** Slippery handles and grasping surfaces do not allow for safe handling and control of the tool in unexpected situations.

BATTERY TOOL USE AND CARE

- **Recharge only with the charger specified by the manufacturer.** A charger that is suitable for one type of battery pack may create a risk of fire when used with another battery pack.

- **Use power tools only with specifically designated battery packs.** Use of any other battery packs may create a risk of injury and fire.
- **When battery pack is not in use, keep it away from other metal objects, like paper clips, coins, keys, nails, screws or other small metal objects, that can make a connection from one terminal to another.** Shorting the battery terminals together may cause burns or a fire.
- **Under abusive conditions, liquid may be ejected from the battery; avoid contact. If contact accidentally occurs, flush with water. If liquid contacts eyes, additionally seek medical help.** Liquid ejected from the battery may cause irritation or burns.
- **Do not use a battery pack or tool that is damaged or modified.** Damaged or modified batteries may exhibit unpredictable behavior resulting in fire, explosion or risk of injury.
- **Do not expose a battery pack or tool to fire or excessive temperature.** Exposure to fire or temperature above 265°F may cause explosion.
- **Follow all charging instructions and do not charge the battery pack or tool outside the temperature range specified in the instructions.** Charging improperly or at temperatures outside the specified range may damage the battery and increase the risk of fire.

SERVICE

- **Have your power tool serviced by a qualified repair person using only identical replacement parts.** This will ensure that the safety of the power tool is maintained.
- **Never service damaged battery packs.** Service of battery packs should only be performed by the manufacturer or authorized service providers.

SAFETY INSTRUCTIONS FOR MULTI-MATERIAL SAWS

- **The guard provided with the tool must be securely attached to the power tool and positioned for maximum safety, so the least amount of wheel is exposed towards the operator. Position yourself and bystanders away from the plane of the rotating wheel.** The guard helps to protect operator from broken wheel fragments and accidental contact with wheel.
- **Use only bonded reinforced or diamond cut-off wheels for your power tool.** Just because an accessory can be attached to your power tool, it does not assure safe operation.
- **The rated speed of the accessory must be at least equal to the maximum speed marked on the power tool.** Accessories running faster than their rated speed can break and fly apart.
- **Wheels must be used only for recommended applications. For example: do not grind with the side of cut-off wheel.** Abrasive cut-off wheels are intended for peripheral grinding, side forces applied to these wheels may cause them to shatter.
- **Always use undamaged wheel flanges that are of correct diameter for your selected wheel.** Proper wheel flanges support the wheel thus reducing the possibility of wheel breakage.
- **Do not use worn down reinforced wheels from larger power tools.** Wheels intended for a larger power tool are not suitable for the higher speed of a smaller tool and may burst.

SAFETY INSTRUCTIONS FOR MULTI-MATERIAL SAWS

- **The outside diameter and the thickness of your accessory must be within the capacity rating of your power tool.** Incorrectly sized accessories cannot be adequately guarded or controlled.
- **The arbour size of wheels and flanges must properly fit the spindle of the power tool.** Wheels and flanges with arbour holes that do not match the mounting hardware of the power tool will run out of balance, vibrate excessively and may cause loss of control.
- **Do not use damaged wheels. Before each use, inspect the wheels for chips and cracks. If power tool or wheel is dropped, inspect for damage or install an undamaged wheel. After inspecting and installing the wheel, position yourself and bystanders away from the plane of the rotating wheel and run the power tool at maximum no load speed for one minute.** Damaged wheels will normally break apart during this test time.
- **Wear personal protective equipment. Depending on application, use face shield, safety goggles or safety glasses. As appropriate, wear dust mask, hearing protectors, gloves and shop apron capable of stopping small abrasive or workpiece fragments.** The eye protection must be capable of stopping flying debris generated by various operations. The dust mask or respirator must be capable of filtering particles generated by your operation. Prolonged exposure to high intensity noise may cause hearing loss.
- **Keep bystanders a safe distance away from work area. Anyone entering the work area must wear personal protective equipment.** Fragments of workpiece or of a broken wheel may fly away and cause injury beyond immediate area of operation.
- **Use auxiliary handle(s), if supplied with the tool.** Loss of control can cause personal injury.
- **Hold the power tool by insulated gripping surfaces, when performing an operation where the cutting accessory or fasteners may contact hidden wiring.** Cutting accessory or fasteners contacting a “live” wire may make exposed metal parts of the power tool “live” and could give the operator an electric shock.
- **Never lay the power tool down until the accessory has come to a complete stop.** The spinning wheel may grab the surface and pull the power tool out of your control.
- **Do not run the power tool while carrying it at your side.** Accidental contact with the spinning accessory could snag your clothing, pulling the accessory into your body.
- **Regularly clean the power tool’s air vents.** The motor’s fan will draw the dust inside the housing and excessive accumulation of powdered metal may cause electrical hazards.
- **Do not operate the power tool near flammable materials.** Sparks could ignite these materials.
- **Do not use accessories that require liquid coolants.** Using water or other liquid coolants may result in electrocution or shock.

KICKBACK AND RELATED WARNINGS:

Kickback is a sudden reaction to a pinched or snagged rotating wheel. Pinching or snagging causes rapid stalling of the rotating wheel which in turn causes the uncontrolled power tool to be forced in the direction opposite of the wheel’s rotation at the point of the binding.

For example, if an abrasive wheel is snagged or pinched by the workpiece, the edge of the wheel that is entering into the pinch point can dig into the surface of the material causing the wheel to climb out or kick out. The wheel may either jump toward or away from the operator, depending on direction of the wheel’s movement at the point of pinching. Abrasive wheels may also break under these conditions.

Kickback is the result of power tool misuse and/or incorrect operating procedures or conditions and can be avoided by taking proper precautions as given below:

- **Maintain a firm grip on the power tool and position your body and arm to allow you to resist kickback forces. Always use auxiliary handle, if provided, for maximum control over kickback or torque reaction during start-up.** The operator can control torque reactions or kickback forces, if proper precautions are taken.
- **Never place your hand near the rotating accessory.** Accessory may kickback over your hand.
- **Do not position your body in line with the rotating wheel.** Kickback will propel the tool in direction opposite to the wheel’s movement at the point of snagging.
- **Use special care when working corners, sharp edges etc. Avoid bouncing and snagging the accessory.** Corners, sharp edges or bouncing have a tendency to snag the rotating accessory and cause loss of control or kickback.
- **Do not attach a saw chain, woodcarving blade, segmented diamond wheel with a peripheral gap greater than 10 mm or toothed saw blade.** Such blades create frequent kickback and loss of control.

SAFETY INSTRUCTIONS FOR MULTI-MATERIAL SAWS




- **Do not “jam” the wheel or apply excessive pressure. Do not attempt to make an excessive depth of cut.** Overstressing the wheel increases the loading and susceptibility to twisting or binding of the wheel in the cut and the possibility of kickback or wheel breakage.
- **When wheel is binding or when interrupting a cut for any reason, switch off the power tool and hold the power tool motionless until the wheel comes to a complete stop. Never attempt to remove the wheel from the cut while the wheel is in motion otherwise kickback may occur.** Investigate and take corrective action to eliminate the cause of wheel binding.
- **Do not restart the cutting operation in the workpiece. Let the wheel reach full speed and carefully re-enter the cut.** The wheel may bind, walk up or kickback if the power tool is restarted in the workpiece.
- **Support panels or any oversized workpiece to minimize the risk of wheel pinching and kickback.** Large workpieces tend to sag under their own weight. Supports must be placed under the workpiece near the line of cut and near the edge of the workpiece on both sides of the wheel.
- **Use extra caution when making a “pocket cut” into existing walls or other blind areas.** The protruding wheel may cut gas or water pipes, electrical wiring or objects that can cause kickback.
- **Operations such as grinding, sanding, wire brushing, or polishing are not recommended to be performed with this power tool.** Operations for which the power tool was not designed may create a hazard and cause personal injury.

ADDITIONAL SAFETY RULES







- **Know your power tool. Read operator’s manual carefully. Learn its applications and limitations, as well as the specific potential hazards related to this tool.** Following this rule will reduce the risk of electric shock, fire, or serious injury.
- **Use clamps or another practical way to secure and support the workpiece to a stable platform.** Holding the work by hand or against your body leaves it unstable and may lead to loss of control.
- **Always wear eye protection with side shields marked to comply with ANSI Z87.1.** Failure to do so could result in objects being thrown into your eyes, resulting in possible serious injury.
- **Protect your lungs. Wear a face or dust mask if the operation is dusty.** Following this rule will reduce the risk of serious personal injury.
- **Protect your hearing. Wear hearing protection during extended periods of operation.** Following this rule will reduce the risk of serious personal injury.
- **Check damaged parts. Before further use of the tool, a guard or other part that is damaged should be carefully checked to determine that it will operate properly and perform its intended function. Check for alignment of moving parts, binding of moving parts, breakage of parts, mounting, and any other conditions that may affect its operation. A guard or other part that is damaged should be properly repaired or replaced by an authorized service center.** Following this rule will reduce the risk of shock, fire, or serious injury.
- **Save these instructions.** Refer to them frequently and use them to instruct others who may use this tool. If you loan someone this tool, loan them these instructions also.

SYMBOLS

The following signal words and meanings are intended to explain the levels of risk associated with this product.

SYMBOL	SIGNAL	MEANING
	DANGER:	Indicates a hazardous situation, which, if not avoided, will result in death or serious injury.
	WARNING:	Indicates a hazardous situation, which, if not avoided, could result in death or serious injury.
	CAUTION:	Indicates a hazardous situation, that, if not avoided, may result in minor or moderate injury.
	NOTICE:	(Without Safety Alert Symbol) Indicates information considered important, but not related to a potential injury (e.g. messages relating to property damage).

Some of the following symbols may be used on this product. Please study them and learn their meaning. Proper interpretation of these symbols will allow you to operate the product better and safer.

SYMBOL	NAME	DESIGNATION/EXPLANATION
	Safety Alert	Indicates a potential personal injury hazard.
	Read Operator's Manual	To reduce the risk of injury, user must read and understand operator's manual before using this product.
	Eye, Ear, & Breathing Protection	Always wear eye protection with side shields marked to comply with ANSI Z87.1 along with hearing and breathing protection.
	Wet Conditions Alert	Do not expose to rain or use in damp locations.
	Recycle Symbol	This product uses lithium-ion (Li-ion) batteries. Local, state or federal laws may prohibit disposal of batteries in ordinary trash. Consult your local waste authority for information regarding available recycling and/or disposal options.
	No Hands	Failure to keep your hands away from the wheel will result in serious personal injury.
V	Volts	Voltage
min	Minutes	Time
==	Direct Current	Type or a characteristic of current
n	Rated Speed	Maximum rotational speed
n ₀	No Load Speed	Rotational speed, at no load
.../min	Per Minute	Revolutions, strokes, surface speed, orbits etc., per minute

FEATURES

PRODUCT SPECIFICATIONS

Cutting Wheel Diameter 3 in.
Max Cutting Depth 0.64 in.
Arbor Size 7/16 in.

Rated Speed 20,000 /min (RPM)
Maximum Wheel Thickness 7/64 in.
Wheel Type Diamond and Abrasive

ASSEMBLY

UNPACKING

This product requires assembly.

- Carefully remove the tool and any accessories from the box. All items listed in the **Includes** section must be included at the time of purchase.

WARNING:

Items in this *Assembly* section are not assembled to the product by the manufacturer and require customer installation. Use of a product that may have been improperly assembled could result in serious personal injury.

-
- Inspect the tool carefully to make sure no breakage or damage occurred during shipping.
 - Do not discard the packing material until you have carefully inspected and satisfactorily operated the tool.
 - If any parts are damaged or missing, please call 1-866-539-1710 for assistance.

WARNING:

If any parts are damaged or missing do not operate this product until the parts are replaced. Use of this product with damaged or missing parts could result in serious personal injury.

WARNING:

Do not attempt to modify this product or create accessories not recommended for use with this product. Any such alteration or modification is misuse and could result in a hazardous condition leading to possible serious personal injury.

WARNING:

To prevent accidental starting that could cause serious personal injury, always remove the battery pack from the product when assembling parts.

SELECTING CUTTING WHEEL

Selecting the correct type of wheel is important in order to obtain the best performance from the saw. Select the wheel based on the application and on the material you wish to cut. Selecting the right wheel will give you a smoother, faster cut and prolong the life of the wheel.

The best of cutting wheels will not cut efficiently if they are not kept clean and sharp. Using a dull wheel will place a heavy load on the saw and increase the danger of kickback. Keep extra wheels on hand, so that sharp wheels are always available.

Always carefully select and use cutting wheels that are recommended for the material being cut. Make sure that the minimum operating speed of any accessory wheel selected is 22,500 /min. or more.

WARNING:

Never use grinding wheels of any kind with this saw. Use of non-cutting wheels can result in property damage or serious personal injury.

INSTALLING THE SHOE ASSEMBLY

See *Figure 1, page 13.*

- Remove the battery pack from the saw.
- Remove the 4 mm hex key from the storage area.
- Loosen the clamp screw completely and remove the clamp.
- Place the shoe on the back of the wheel guard as shown
- Align the threaded hole on the wheel guard with the screw in the clamp.
- Place the clamp onto the wheel guard and tighten the screw to secure in place.
- Return the 4 mm hex key to the storage area.

To remove:

- Remove the battery pack from the saw.
- Remove the 4 mm hex key from the storage area.
- Loosen the clamp screw completely and remove the clamp.
- Lift the shoe up and away from the wheel guard.
- Replace the clamp and clamp screw.
- Return the 4 mm hex key to the storage area.

ASSEMBLY

INSTALLING CUTTING WHEEL

See Figure 2, page 13.

DANGER:

Use ONLY Type 1 straight or cut-off wheels (such as the ones provided with this product). Never attach a Type 27 grinding wheel to this saw. Use for any other purpose is not recommended and creates a hazard, which will result in serious injury.

WARNING:

A 3 in. wheel is the maximum wheel capacity of the saw. Never use a wheel that is too thick to allow outer wheel washer to engage with the flats on the spindle. Larger cutting wheels will come in contact with the wheel guard, while thicker wheels will prevent wheel screw from securing wheel on spindle. Either of these situations could result in a serious accident.

- Remove the battery pack from the saw.
- Select an appropriate cutting wheel.
NOTE: A metal cutting wheel, abrasive cutting wheel, and tile cutting wheel are provided.

WARNING:

To reduce the risk of injury, only use the proper wheels made for this tool. Never use any type of toothed saw blade.

- Inspect the wheel for defects such as cracks, chipping, and correct speed rating. If defects are found or the speed rating is not equal to or greater than 22,500 /min., do not use. Select another wheel.
- Remove the 4 mm hex key from the storage area.
- Loosen the clamp screw on the back of the wheel guard and slide the shoe assembly to its lowest position.
- Place the saw on its side with the guard facing up.
- Depress and hold the spindle lock button and remove the wheel screw and outer wheel washer.

NOTE: Turn the wheel screw counterclockwise to remove.

NOTICE:

To prevent damage to the spindle or spindle lock, always allow motor to come to a complete stop before engaging spindle lock.

NOTE: Do not run the saw with spindle lock engaged.

- Wipe a drop of oil onto the inner wheel washer and outer wheel washer where they contact the wheel.

WARNING:

If inner wheel washer has been removed, replace it before placing wheel on spindle. Failure to do so could cause an accident since wheel will not tighten properly.

- Fit the cutting wheel inside the guard and onto the spindle.
- Replace the outer wheel washer.
- Depress and hold the spindle lock button, then replace the wheel screw. Tighten the wheel screw securely by turning it clockwise.
- Adjust the shoe assembly up or down to set the depth of cut. Tighten clamp screw to secure in place.
- Return the 4 mm hex key to the storage area.

NOTE: Never use a wheel that is too thick to allow the outer wheel washer to engage with the flats on the spindle.

The wheels provided with this saw have arrows near the center hole indicating the direction the wheels should rotate when the saw is in use. Before operating the saw, make sure the direction of rotation selector is in the appropriate position, by referring to the **Direction of Rotation Selector** section later in this manual. Wheels with bidirectional arrows (()) can be operated in forward or reverse.

WARNING:

Always operate the tool in the correct rotation direction for the wheel selected.

WARNING:

Always check that the spindle lock button is fully released before switching on the tool.

REMOVING CUTTING WHEEL

See Figure 2, page 13.

- Remove the battery pack from the saw.
- Remove the 4 mm hex key from the storage area.
- Loosen the clamp screw on the back of the wheel guard and slide the shoe assembly to its lowest position.
- Position the saw as shown, depress the spindle lock button, and remove the wheel screw by turning it counterclockwise.
- Remove the outer wheel washer.
- Remove the wheel.

OPERATION

WARNING:

Do not allow familiarity with this product to make you careless. Remember that a careless fraction of a second is sufficient to inflict serious injury.

WARNING:

Always wear eye protection with side shields marked to comply with ANSI Z87.1 along with hearing protection, dust mask (in dusty conditions) and where necessary a full face shield. Failure to do so could result in objects being thrown into your eyes and other possible serious injuries.

WARNING:

Do not use any attachments or accessories not recommended by the manufacturer of this product. The use of attachments or accessories not recommended can result in serious personal injury.

APPLICATIONS

You may use this product for the purpose listed below:

- Cutting drywall, plastic, tile, ceramics, steel, stainless steel, fiber cement, and non-ferrous materials

NOTE: Applications for this tool require different types of cutting wheels. Be sure to use the right cutting wheel for the job you are attempting.

INSTALLING/REMOVING BATTERY PACK

See Figure 3, page 14.

To install:

- Insert the battery pack.
- Make sure the latches on each side of the battery pack snap in place and that battery pack is secured in the product before beginning operation.

To remove:

- Depress the latches on each side of the battery pack.

For complete charging instructions, see the operator's manuals for your battery pack and charger.

OVERLOAD PROTECTION

When the tool is forced or the motor is overloaded, the tool will automatically shut off. To reset the tool, release the trigger and resume operation. If the tool still does not resume operation, remove and reinsert the battery. Do not force the tool.

VARIABLE SPEED SWITCH TRIGGER

See Figure 4, page 14.

WARNING:

Always check that the spindle lock button is fully released before switching on the tool.

The variable speed switch trigger delivers higher speed with increased trigger pressure and lower speed with decreased trigger pressure.

To turn the saw **ON**, depress the switch trigger. To turn it **OFF**, release the switch trigger and allow the wheel to come to a complete stop.

NOTE: A whistling or ringing noise coming from the switch during use is a normal part of the switch function.

NOTE: Running at low speeds under constant usage may cause the saw to become overheated. If this occurs, cool the saw by running it without a load and at full speed.

NOTICE:

Never cover air vents when the tool is in use. They must always be open for proper motor cooling.

DIRECTION OF ROTATION SELECTOR (FORWARD/REVERSE/CENTER LOCK)

See Figures 4 and 5, page 14.

Set the direction of rotation selector in the **OFF** (center lock) position to lock the switch trigger and help prevent accidental starting when not in use.

Position the direction of rotation selector to the left of the switch trigger for forward wheel rotation. Position the selector to the right of the switch trigger to reverse the direction.

NOTE: The saw will not run unless the direction of rotation selector is pushed fully to the left or right.

NOTICE:

To prevent damage, always allow the wheel to come to a complete stop before changing the direction of rotation.

WARNING:

Battery tools are always in operating condition. Lock the switch when not in use or carrying at your side, when installing or removing the battery pack, and when installing or removing wheels.

OPERATION

LED LIGHT

See Figure 5, page 14.

The LED light, located at the base of the tool, illuminates when the switch trigger is depressed.

If the tool is not in use, the time-out feature will cause the light to start fading and then shut off.

The LED light illuminates only when there is a charged battery pack in the tool.

POSITIONING THE GUARD

See Figure 6, page 14.

The guard on the saw should be correctly positioned to provide maximum control and protection. Never use the saw without the guard correctly in place.

To reposition the guard:

- Remove the battery pack.
- Get a firm grasp of the guard with one hand and hold the overmolded handle with the other.
- Rotate the guard until it snaps securely into one of the four fixed positions.

KICKBACK

See Figures 7 - 8, page 14.

Kickback occurs when the wheel stalls rapidly and the saw is driven back towards you. Wheel stalling is caused by any action which pinches the wheel in the material.

DANGER:

Release switch immediately if wheel binds or saw stalls. Kickback could cause you to lose control of the saw. Loss of control can lead to serious personal injury.

To guard against kickback, avoid dangerous practices such as the following:

- Twisting the cutting wheel while making a cut.
- Making a cut with a dull, gummed up, or improperly set cutting wheel.
- Forcing a cut.
- Operating the tool incorrectly or misusing the tool.

To lessen the chance of kickback, follow these safety practices:

- When appropriate, adjust the shoe assembly up or down to set the depth of cut. The shoe assembly should be positioned so that very little of the cutting wheel is visible below the workpiece. The more wheel is exposed, the more likely the saw is to bind and kickback.
- Make straight cuts. Always use the shoe assembly or a straight edge guide when rip cutting. This helps prevent twisting the wheel.
- Use clean and sharp cutting wheels. Never make cuts with dull wheels.
- Support and clamp the workpiece properly before beginning a cut.
- Use steady, even pressure when making a cut. Never force a cut.
- Always let the cutting wheel reach full speed before beginning a cut.
- Hold the saw firmly and keep your body in a balanced position so as to resist the forces if kickback should occur.

WARNING:

When using the saw, always stay alert and exercise control. Do not remove the saw from the workpiece while the cutting wheel is moving.

OPERATING THE SAW

See Figures 9 - 11, page 14.

DANGER:

Never use the saw with the guard removed. It has been designed for use only with the guard installed. Attempting to use saw with guard removed will result in loose particles being thrown against the operator resulting in serious personal injury.

WARNING:

To make cutting easier and safer, always maintain proper control of the saw. Loss of control could cause an accident resulting in possible serious injury.

OPERATION

WARNING:

When lifting the saw from the workpiece, the wheel is exposed on the underside of the saw.

- Remove the battery pack.
 - Install the appropriate cutting wheel and rotate the wheel guard to the desired position.
 - Adjust the shoe assembly up or down to set the depth of cut or remove it completely if needed.
 - Secure the workpiece to a work bench or table with a vise or with clamps.
 - Mark the line of cut clearly.
 - Install the battery pack.
 - Check the direction of rotation on the wheel and select the correct setting (forward or reverse) on the tool.
 - Hold the saw firmly in front of and clearly away from you, keeping the cutting wheel clear of the workpiece.
 - Depress the switch trigger and let the cutting wheel reach full speed.
-

WARNING:

The wheel coming in contact with the workpiece before it reaches full speed could cause saw to “kickback” toward you resulting in serious injury.

- Move the wheel through the workpiece.
NOTE: Do not force. Use only enough pressure to keep the saw cutting. Let the wheel and saw do the work.
- Continue to use steady and even pressure to obtain a uniform cut through the material. Never force the wheel into the material being cut.
- When the cut is complete, release the switch trigger and allow the wheel to stop rotating before raising the wheel out of material.

CUTTING TILES

Always draw the line to be cut on the tile using a marker or grease pencil. If the tile is shiny and hard-to-mark, place masking tape on the tile and mark the tape.

A common problem when cutting tile is straying from the marked line. Once you’ve strayed from the mark, you can not force the wheel back to the line by twisting the tile. Instead, back up and recut the tile slicing off a small amount of tile until the wheel is back on track.

CUTTING PLASTICS

Heat generated from the cutting wheel can melt plastic. Follow these steps to reduce the risk of overheating the cutting wheel:

- Cut slowly and do not force the wheel into the material. Maintain a speed and pressure which allows cutting without overheating the wheel.
- Take frequent breaks when cutting plastic materials and allow the cutting wheel to cool.

CUTTING METALS

With a metal cutting wheel installed, you may cut metals such as sheet steel, pipe, steel rods, aluminum, brass, and copper.

Use caution when cutting metals and observe the following to avoid potential hazards:

- Adjust the position of the wheel guard to provide maximum protection from sparks and loose particles thrown from the cutting wheel.
- Material will get hot during cutting operation. Keep hands off of metal being cut to avoid serious personal injury.
- Do not touch the cut material until it cools or you can be burned.

MAINTENANCE

WARNING:

When servicing, use only identical replacement parts. Use of any other part could create a hazard or cause product damage.

WARNING:

Always wear eye protection with side shields marked to comply with ANSI Z87.1 along with hearing protection and where necessary a full face shield. Failure to do so could result in objects being thrown into your eyes and other possible serious injuries.

WARNING:

To avoid serious personal injury, always remove the battery pack from the tool when cleaning, performing any maintenance, or when storing the tool.

GENERAL MAINTENANCE

Avoid using solvents when cleaning plastic parts. Most plastics are susceptible to damage from various types of commercial solvents and can be damaged by their use. Use clean cloths to remove dirt, dust, oil, grease, etc.

WARNING:

Do not at any time let brake fluids, gasoline, petroleum-based products, penetrating oils, etc., come in contact with plastic parts. Chemicals can damage, weaken or destroy plastic which could result in serious personal injury.

CLEANING THE FILTER

See Figure 12, page 14.

A filter is located at the back of the tool. It is designed to keep dirt, shavings, and other debris from entering the tool through the air intake. Over time the filter can become dirty and clogged.

To clean the filter:

- Remove the battery pack.
- Lift the filter up and pull it away from the tool.
- Use a soft bristle brush to loosen and remove dirt and debris.
- Replace the filter and lower it back into place.

NOTE: There are vents in several locations around the tool. These vents should be cleaned periodically and each time the filter is cleaned.

NOTE: ILLUSTRATIONS START ON PAGE 13 AFTER FRENCH AND SPANISH LANGUAGE SECTIONS.

**This product has a 90-Day Satisfaction Guarantee Policy,
as well as a Three-year Limited Warranty. For Warranty and Policy details,
please go to www.RIDGID.com or call (toll free) 1-866-539-1710.**

RÈGLES DE SÉCURITÉ RELATIVES AUX OUTILS ÉLECTRIQUES

AVERTISSEMENT

Lire les avertissements de sécurité, les instructions et les précisions et consulter les illustrations fournis avec cet outil électrique.

Le fait de ne pas se conformer à l'ensemble des consignes présentées ci-dessous risque d'entraîner des décharges électriques, un incendie et/ou des blessures graves.

Conserver les avertissements et les instructions à des fins de référence ultérieure. Le terme « outil motorisé », utilisé dans tous les avertissements ci-dessous désigne tout outil fonctionnant sur secteur (câblé) ou sur piles (sans fil).

SÉCURITÉ DU LIEU DE TRAVAIL

- **Garder le lieu de travail propre et bien éclairé.** Les endroits encombrés ou sombres sont propices aux accidents.
- **Ne pas utiliser d'outils électriques dans des atmosphères explosives, par exemple en présence de liquides, gaz ou poussières inflammables.** Les outils électriques produisent des étincelles risquant d'enflammer les poussières ou vapeurs.
- **Garder les enfants et badauds à l'écart pendant l'utilisation d'un outil électrique.** Les distractions peuvent causer une perte de contrôle.

SÉCURITÉ ÉLECTRIQUE

- **Les fiches des outils électriques doivent correspondre à la prise secteur utilisée. Ne jamais modifier la fiche, de quelque façon que ce soit. Ne jamais utiliser d'adaptateurs de fiche avec des outils mis à la terre.** Les fiches et prises non modifiées réduisent le risque de choc électrique.
- **Éviter tout contact du corps avec des surfaces mises à la terre, telles que tuyaux, radiateurs, cuisinières et réfrigérateurs.** Le risque de choc électrique est accru lorsque le corps est mis à la terre.
- **Ne pas exposer les outils électriques à l'eau ou l'humidité.** La pénétration d'eau dans ces outils accroît le risque de choc électrique.
- **Ne pas maltraiter le cordon d'alimentation. Ne jamais utiliser le cordon d'alimentation pour transporter l'outil et ne jamais débrancher ce dernier en tirant sur le cordon. Garder le cordon à l'écart de la chaleur, de l'huile, des objets tranchants et des pièces en mouvement.** Un cordon endommagé ou emmêlé accroît le risque de choc électrique.
- **Pour les travaux à l'extérieur, utiliser un cordon spécialement conçu à cet effet.** Utiliser un cordon conçu pour l'usage extérieur pour réduire les risques de choc électrique.
- **S'il est nécessaire d'utiliser l'outil électrique dans un endroit humide, employer un dispositif interrupteur de**

défaut à la terre (GFCI). L'utilisation d'un GFCI réduit le risque de décharge électrique.

- **Utiliser ce produit seulement avec la piles et le chargeurs indiqués dans le supplément de raccordement pour chargeur/outils/piles/appareil n° 988000-302.**

SÉCURITÉ PERSONNELLE

- **Rester attentif, prêter attention au travail et faire preuve de bon sens lors de l'utilisation de tout outil électrique. Ne pas utiliser cet outil en état de fatigue ou sous l'influence de l'alcool, de drogues ou de médicaments.** Un moment d'inattention pendant l'utilisation d'un outil électrique peut entraîner des blessures graves.
- **Utiliser l'équipement de sécurité. Toujours porter une protection oculaire.** L'équipement de sécurité, tel qu'un masque filtrant, de chaussures de sécurité, d'un casque ou d'une protection auditive, utilisé dans des conditions appropriées réduira le risque de blessures.
- **Éviter les démarrages accidentels. S'assurer que le commutateur est en position d'arrêt avant de brancher l'outil.** Porter un outil avec le doigt sur son commutateur ou brancher un outil dont le commutateur est en position de marche peut causer un accident.
- **Retirer les clés de réglage avant de mettre l'outil en marche.** Une clé laissée sur une pièce rotative de l'outil peut causer des blessures.
- **Ne pas travailler hors de portée. Toujours se tenir bien campé et en équilibre.** Ceci permettra de mieux contrôler l'outil en cas de situation imprévue.
- **Porter une tenue appropriée. Ne porter ni vêtements amples, ni bijoux. Garder les cheveux, les vêtements et les gants à l'écart des pièces en mouvement.** Les vêtements amples, bijoux et cheveux longs peuvent se prendre dans les pièces en mouvement.
- **Si les outils sont équipés de dispositifs de dépoussiérage, s'assurer qu'ils sont connectés et correctement utilisés.** L'usage de ces dispositifs de dépoussiérage peut réduire les dangers présentés par la poussière.
- **Malgré votre expérience acquise par l'utilisation fréquente des outils, soyez toujours vigilant et respectez les principes de sécurité relatifs aux outils.** Il s'agit d'une fraction de seconde pour qu'un geste irréfléchi puisse causer de graves blessures.
- **Ne porter ni vêtements amples, ni bijoux. Attacher ou couvrir les cheveux longs.** Les vêtements amples, bijoux et cheveux longs peuvent se prendre dans les ouïes d'aération.
- **Ne pas utiliser l'outil sur une échelle ou un support instable.** Une bonne tenue et un bon équilibre permettent de mieux contrôler l'outil en cas de situation imprévue.

RÈGLES DE SÉCURITÉ RELATIVES AUX OUTILS ÉLECTRIQUES

UTILISATION ET ENTRETIEN DES OUTILS ÉLECTRIQUES

- **Ne pas forcer l'outil. Utiliser l'outil approprié pour l'application.** Un outil approprié exécutera le travail mieux et de façon moins dangereuse s'il est utilisé dans les limites prévues.
- **Ne pas utiliser l'outil si le commutateur ne permet pas de le mettre en marche ou de l'arrêter.** Tout outil qui ne peut pas être contrôlé par son commutateur est dangereux et doit être réparé.
- **Avant de procéder à un réglage, à un changement d'accessoire ou au rangement de l'outil, débranchez la prise de la source d'alimentation ou, si le bloc-piles est amovible, retirez-le de l'outil.** Ces mesures de sécurité préventives réduisent les risques de démarrage accidentel de l'outil.
- **Ranger les outils motorisés hors de la portée des enfants et ne laisser personne n'étant pas familiarisé avec l'outil ou ces instructions utiliser l'outil.** Dans les mains de personnes n'ayant pas reçu des instructions adéquates, les outils sont dangereux.
- **Entretien des outils motorisés et accessoires. Vérifier qu'aucune pièce mobile n'est mal alignée ou bloquée, qu'aucune pièce n'est brisée et s'assurer qu'aucun autre problème ne risque d'affecter le bon fonctionnement de l'outil. En cas de dommages faire réparer l'outil avant de l'utiliser de nouveau.** Beaucoup d'accidents sont causés par des outils mal entretenus.
- **Garder les outils bien affûtés et propres.** Des outils correctement entretenus et dont les tranchants sont bien affûtés risquent moins de se bloquer et sont plus faciles à contrôler.
- **Utiliser l'outil, les accessoires et embouts, etc. conformément à ces instructions pour les applications pour lesquelles ils sont conçus, en tenant compte des conditions et du type de travail à exécuter.** L'usage d'un outil motorisé pour des applications pour lesquelles il n'est pas conçu peut être dangereux.
- **Gardez les poignées et les surfaces de prise sèches, propres et exemptes d'huile et de graisse.** Des poignées et des surfaces de prise glissantes empêchent la manipulation et le contrôle sécuritaires de l'outil dans des circonstances imprévues.

UTILISATION ET ENTRETIEN DE LA PILE

- **Ne recharger qu'avec l'appareil spécifié par le fabricant.** Un chargeur approprié pour un type de pile peut créer un risque d'incendie s'il est utilisé avec un autre type de pile.
- **Utiliser exclusivement le bloc-pile spécifiquement indiqué pour l'outil.** L'usage de tout autre bloc peut créer un risque de blessures et d'incendie.
- **Lorsque le bloc-piles n'est pas en usage, le garder à l'écart d'articles tels qu'attaches trombones, pièces de monnaie, clous, vis ou autres petits objets métalliques risquant d'établir le contact entre les deux bornes.** La mise en court-circuit des bornes de piles peut causer des étincelles, des brûlures ou un incendie.
- **En cas d'usage abusif, du liquide peut s'échapper des piles. Éviter tout contact avec ce liquide. En cas de contact accidentel, rincer immédiatement les parties atteintes avec de l'eau. En cas d'éclaboussure dans les yeux consulter un médecin.** Le liquide s'échappant des piles peut causer des irritations ou des brûlures.
- **Ne pas utiliser un bloc-piles ou un outil endommagé ou modifié.** Les piles endommagées ou modifiées peuvent produire un comportement imprévisible pouvant provoquer un incendie, une explosion ou des blessures.
- **Ne pas exposer le bloc-piles ou l'outil près d'un incendie ou à une température extrême.** L'exposition à un incendie ou à une température supérieure à 130 °C (265 °F) représente un risque d'explosion.
- **Suivre toutes les instructions afférentes à la recharge et ne pas recharger le bloc-piles ou l'outil hors des températures spécifiées dans les instructions.** Une recharge incorrecte ou hors des températures spécifiées peut endommager la pile et augmenter les risques de feu.

DÉPANNAGE

- **Les réparations doivent être confiées à un technicien qualifié, utilisant exclusivement des pièces identiques à celles d'origine.** Ceci assurera le maintien de la sécurité de l'outil.
- **Ne réparez jamais de blocs-piles endommagés.** Seuls le fabricant et les fournisseurs de service autorisés doivent effectuer la réparation ou l'entretien des blocs-piles.

CONSIGNES DE SÉCURITÉ POUR LA SCIE MULTI MATÉRIAU

- **Le protège-meule doit être fixé solidement à l'outil électrique et positionné de manière à garantir une sécurité optimale et qu'une plus petite partie de la meule soit dirigée vers l'utilisateur. Éloigner le corps et les spectateurs du plan de rotation de la meule.** Le protège-meule aide à protéger l'utilisateur contre la projection de fragments de meule brisés et le contact accidentel avec la meule.
- **Utiliser seulement des meules diamants avec cet outil électrique.** Le simple fait qu'un accessoire puisse être installé sur l'outil électrique ne signifie pas qu'il peut être utilisé en toute sécurité.

CONSIGNES DE SÉCURITÉ POUR LA SCIE MULTI MATÉRIAU

- **La vitesse de rotation nominale de l'accessoire doit au moins être égale à la vitesse maximale indiquée sur l'outil électrique.** Les accessoires utilisés à une vitesse supérieure à leur vitesse de rotation nominale peuvent se briser et se détacher.
- **Utiliser seulement les meules pour effectuer les opérations pour lesquelles elles sont conçues. Par exemple : ne pas utiliser le côté d'une meule à tronçonner pour meuler.** Les meules à tronçonner abrasives doivent être utilisées pour la rectification périphérique. Le fait d'appliquer une force latérale sur les meules peut provoquer leur bris.
- **Toujours utiliser des meules à collerettes intactes et de diamètre conforme à la meule choisie.** Les collerettes de meule conformes soutiennent la meule tout en minimisant les risques de bris de la meule.
- **Ne pas utiliser de meules usées qui proviennent d'outils électriques de plus grandes dimensions.** Les meules conçues pour des outils électriques de plus grandes dimensions ne conviennent pas à la vitesse plus élevée des outils de plus petites dimensions et peuvent éclater.
- **Le diamètre extérieur et l'épaisseur de l'accessoire doivent être conformes à la puissance nominale de l'outil électrique.** Il est impossible de protéger ou de contrôler adéquatement un accessoire de dimension inappropriée.
- **Le diamètre de l'arbre des meules et des collerettes doivent être parfaitement adaptés à la broche de l'outil électrique.** Les meules et collerettes équipées d'alésages centraux ne correspondant pas à la quincaillerie de montage de l'outil se déstabiliseront, vibreront de façon excessive et pourront causer une perte de contrôle.
- **Ne pas utiliser des meules endommagées. Avant chaque utilisation, vérifier et s'assurer que les meules ne sont pas brisées et ne comportent pas de fissures. Si l'outil électrique ou l'accessoire est échappé, s'assurer qu'il n'est pas endommagé ou installer une meule intacte. Après avoir effectué cette opération, éloigner le corps et les spectateurs de l'accessoire en rotation et faire fonctionner l'outil à sa vitesse à vide maximale pendant une minute.** Les meules endommagées se brisent généralement lors de cet essai.
- **Porter un équipement de protection personnel. Selon le travail à effectuer, porter un écran facial, des lunettes de sécurité ou des lunettes étanches. Au besoin, porter également un masque antipoussière, un protecteur d'oreilles, des gants et un tablier d'atelier résistant aux petits fragments abrasifs ou aux fragments provenant des pièces à travailler.** Le protecteur oculaire utilisé doit résister aux débris projetés par diverses opérations. Le masque antipoussière ou le respirateur doit pouvoir empêcher l'infiltration de particules produites par le travail. Une exposition prolongée à un bruit fort peut provoquer une perte auditive.
- **S'assurer qu'aucun spectateur ne se tient à proximité du lieu de travail. Toute personne entrant sur le lieu de travail doit porter l'équipement de protection personnel.** Des fragments provenant d'une pièce à travailler ou d'un accessoire brisé peuvent être projetés et causer des blessures, même à des personnes se tenant à une certaine distance du lieu de travail immédiat.
- **Utiliser les poignées auxiliaires, si elles sont fournies avec l'outil.** La perte de contrôle peut causer des blessures.
- **Tenir l'outil électrique par les surfaces de prise isolées lors d'un travail risquant mettre l'accessoire de coupe ou pièce de fixation en contact avec des fils électriques cachés.** Le contact d'un accessoire de coupe ou pièce de fixation avec un fil sous tension « électrifie » les pièces métalliques exposées de l'outil et peut électrocuter l'utilisateur.
- **Ne jamais déposer l'outil électrique avant l'arrêt complet de l'accessoire.** La meule en rotation peut gripper la surface et occasionner une perte de contrôle de l'outil électrique.
- **Ne jamais faire fonctionner l'outil électrique en le transportant à ses côtés.** L'accessoire en rotation peut s'accrocher accidentellement aux vêtements et entrer en contact avec l'utilisateur.
- **Nettoyer régulièrement les grilles d'aération de l'outil électrique.** Le ventilateur du moteur aspire la poussière dans le bâti et crée une accumulation excessive de métal fritté, ce qui peut causer un danger électrique.
- **Ne pas faire fonctionner l'outil électrique à proximité de matériaux inflammables.** Les étincelles peuvent enflammer ces matériaux.
- **Ne pas utiliser d'accessoires demandant des liquides de refroidissement.** L'utilisation d'eau ou d'autres liquides de refroidissement représente un risque de décharge électrique ou d'électrocution.

REBOND ET AVERTISSEMENTS COMPLÉMENTAIRES :

Le rebond est une réaction soudaine occasionnée par une meule en rotation se pinçant ou se grippant. Le pincement ou le grippage provoque le blocage immédiat de la meule en rotation qui, à son tour, entraîne l'outil incontrôlé dans le sens opposé à la rotation de l'accessoire, à l'endroit du pincement. Par exemple, lorsque la meule se grippe ou se coince dans la pièce à travailler, le bord de la meule pénétrant dans le point de pincement peut creuser la surface du matériau et provoquer son élévation ou sa déviation. La meule peut bondir vers l'avant ou s'éloigner de l'utilisateur selon la direction du mouvement de la meule au moment où elle a atteint le point de pincement. Dans ces conditions d'utilisation, les meules peuvent également se briser.

Un rebond est causé par à une mauvaise utilisation de l'outil ou au non-respect des procédures ou des conditions

CONSIGNES DE SÉCURITÉ POUR LA SCIE MULTI MATÉRIAU

d'utilisation et peut être évité en respectant les précautions prescrites ci-dessous :

- **Tenir fermement l'outil électrique, placer le corps et le bras de manière à pouvoir résister aux rebonds. Toujours utiliser la poignée auxiliaire, s'il y en a une, pour assurer un contrôle optimal en cas de rebond ou de réaction de couple lors du démarrage de l'outil.** L'utilisateur peut contrôler les rebonds et les couples de réactions s'il respecte les précautions prescrites.
- **Ne jamais placer les mains à proximité de l'accessoire en rotation.** En cas de rebond, l'accessoire peut dévier sur celles-ci.
- **Ne pas aligner le corps avec la meule en rotation.** Un rebond propulsera l'outil dans le sens opposé au mouvement de la meule au moment où elle a atteint le point de grippage.
- **Faire preuve d'une extrême prudence au moment d'utiliser l'outil sur des coins ou des rebords tranchants et éviter les rebondissements et le grippage de l'accessoire.** Les coins, les arêtes vives et les surfaces rebondissantes ont tendance à se gripper à l'accessoire en rotation et à causer une perte de contrôle ou un rebond.
- **Ne pas installer une chaîne coupante, une lame à sculpter le bois ou une meule diamant segmentée ayant un jeu de plus de 10 mm ou une pale dentée.** De telles lames provoquent de nombreux rebonds et la perte de contrôle.
- **S'assurer que la meule à tronçonner ne se coince pas et éviter d'appliquer une pression excessive. Éviter de tronçonner sur une profondeur excessive.** Une surcharge sur la meule augmente le collage, la tendance à la torsion ou au coincement de la meule pendant la coupe et les risques de rebond ou de bris de la meule.
- **Si la meule se coince ou si l'opération de coupe est interrompue pour une raison quelconque, éteindre l'outil électrique et le maintenir immobile jusqu'à ce que la meule s'arrête complètement. Ne jamais tenter de retirer la meule de la pièce tronçonnée tant que la meule tourne pour éviter le rebond.** Déterminer et résoudre la cause du coincement de la lame..
- **Ne pas reprendre le tronçonnage directement sur la pièce à travailler. Permettre à la meule d'atteindre sa vitesse maximale puis la réinsérer soigneusement dans le trait de coupe.** La meule risque de se coincer, de se soulever ou de rebondir si cette précaution n'est pas prise.
- **Soutenir les panneaux et toute pièce à travailler surdimensionnée afin de minimiser les risques de pincement et de rebond de la meule.** Les pièces à travailler de grandes dimensions ont tendance à fléchir sous leur propre poids. Il importe donc de disposer des supports sous la pièce à travailler, près du trait de coupe et au bord de la pièce à travailler, des deux côtés de la meule.




- **Redoubler de prudence lors de la découpe d'évidements dans des cloisons ou autres endroits sans visibilité arrière.** La partie en saillie de la meule peut couper les conduites d'eau ou de gaz, le câblage électrique et tout autre objet pouvant provoquer un rebond.
- **Il est recommandé de ne pas utiliser cet outil électrique pour meuler, sabler, brosser ou polir.** Le fait d'utiliser l'outil pour effectuer des tâches pour lesquelles il n'est pas conçu peut représenter un risque et provoquer des blessures.

RÈGLES DE SÉCURITÉ SUPPLÉMENTAIRES







- **Apprendre à connaître l'outil. Lire attentivement le manuel d'utilisation. Apprendre les applications et les limites de l'outil, ainsi que les risques spécifiques relatifs à son utilisation.** Le respect de cette consigne réduira les risques d'incendie, de choc électrique et de blessures graves.
- **Utiliser des brides ou tout autre moyen pratique pour sécuriser et maintenir la pièce à travailler sur une plateforme stable.** Maintenir la pièce à la main ou contre le corps n'est pas stable et peut entraîner une perte de contrôle.
- **Toujours porter une protection oculaire avec écrans latéraux certifiée conforme à la norme ANSI Z87.1.** Si cette précaution n'est pas prise, des objets peuvent être projetés dans les yeux et causer des lésions graves.
- **Protection respiratoire. Porter un masque facial ou un masque anti-poussière si le travail produit de la poussière.** Le respect de cette consigne réduira les risques de blessures graves.
- **Protection auditive. Porter une protection auditive lors de l'utilisation prolongée.** Le respect de cette règle réduira les risques de blessures graves.
- **Vérifier l'état des pièces. Avant d'utiliser l'outil de nouveau examiner soigneusement les pièces et dispositifs de protection qui semblent endommagés afin de déterminer s'ils fonctionnent correctement et s'ils remplissent les fonctions prévues. Vérifier l'alignement des pièces mobiles, s'assurer qu'aucune pièce n'est bloquée ou cassée, vérifier la fixation de chaque pièce et s'assurer qu'aucun autre problème ne risque d'affecter le bon fonctionnement de l'outil. Toute protection ou pièce endommagée doit être correctement réparée ou remplacée dans un centre de réparations agréé.** Le respect de cette consigne réduira les risques de choc électrique, d'incendie et de blessures graves.
- **Conserver ces instructions.** Les consulter fréquemment et les utiliser pour instruire les autres utilisateurs éventuels. Si cet outil est prêté, il doit être accompagné de ces instructions.

SYMBOLES

Les termes de mise en garde suivants et leur signification ont pour but d'expliquer le degré de risques associé à l'utilisation de ce produit.

SYMBOLE	SIGNAL	SIGNIFICATION
	DANGER :	Indique une situation dangereuse qui, si elle n'est pas évitée, aura pour conséquences des blessures graves ou mortelles.
	AVERTISSEMENT :	Indique une situation dangereuse qui, si elle n'est pas évitée, pourrait entraîner des blessures graves ou mortelles.
	ATTENTION :	Indique une situation dangereuse qui, si elle n'est pas évitée, pourrait entraîner des blessures légères ou de gravité modérée.
	AVIS :	(Sans symbole d'alerte de sécurité) Indique les informations jugées importantes sans toutefois représenter un risque de blessure (ex. : messages concernant les dommages matériels).

Certains des symboles ci-dessous peuvent être utilisés sur produit. Veiller à les étudier et à apprendre leur signification. Une interprétation correcte de ces symboles permettra d'utiliser produit plus efficacement et de réduire les risques.

SYMBOLE	NOM	DÉSIGNATION / EXPLICATION
	Symbole d'alerte de sécurité	Indique un risque de blessure potentiel.
	Lire le manuel d'utilisation	Pour réduire les risques de blessures, l'utilisateur doit lire et veiller à bien comprendre le manuel d'utilisation avant d'utiliser ce produit.
	Protection oculaire, auditive et respiration	Toujours porter une protection oculaire certifiée conforme à la norme ANSI Z87.1 ainsi qu'une protection auditive et respiration.
	Avertissement concernant l'humidité	Ne pas exposer à la pluie ou l'humidité.
	Symbole de recyclage	Ce produit utilise les piles de lithium-ion (Li-ion). Les réglementations locales ou gouvernementales peuvent interdire de jeter les piles dans les ordures ménagères. Consulter les autorités locales compétentes pour les options de recyclage et/ou l'élimination.
	Symbole mains à l'écart	Ne pas tenir les mains loin de la meule provoquera des blessures graves.
V	Volts	Tension
min	Minutes	Temps
—	Courant continu	Type ou caractéristique du courant
n	Vitesse nominale	Vitesse de rotation maximum
n ₀	Vitesse à vide	Vitesse de rotation à vide
.../min	Par minute	Tours, coups, vitesse périphérique, orbites, etc., par minute

CARACTÉRISTIQUES

FICHE TECHNIQUE

Diámetro de la muela de coupe 76,2 mm (3,0 po)
Profondeur de coupe maximale 16,26 mm (0,64 po)
Axe de lame 11,11 mm (7/16 po.)

Vitesse nominale 20 000 /min (RPM)
Épaisseur maximale de la meule 2,78 mm (7/64 po)
Type de disque Meule diamant et abrasive

ASSEMBLAGE

DÉBALLAGE

Cet produit doit être assemblé.

- Avec précaution, sortir l'outil et les accessoires de la boîte. Tous les articles énumérés sous **Inclut** doivent se trouver dans l'emballage au moment de l'achat.

AVERTISSEMENT:

Certaines pièces figurant dans cette section *Assemblage* n'ont pas été installées sur le produit par le fabricant et exigent une installation du client. Le fait d'utiliser un produit qui a été assemblé de façon inadéquate peut entraîner des blessures.

- Examiner soigneusement le produit pour s'assurer que rien n'a été brisé ou endommagé en cours de transport.
- Ne pas jeter les matériaux d'emballage avant d'avoir soigneusement examiné le produit et avoir vérifié qu'il fonctionne correctement.
- Si des pièces sont manquantes ou endommagées, appeler le 1-866-539-1710

AVERTISSEMENT :

Si des pièces manquent ou sont endommagées, ne pas utiliser cet outil avant qu'elles aient été remplacées. Le fait d'utiliser ce produit même s'il contient des pièces endommagées ou s'il lui manque des pièces pouvant entraîner des blessures graves.

AVERTISSEMENT :

Ne pas essayer de modifier cet produit ou de créer des accessoires non recommandés pour l'produit. De telles altérations ou modifications sont considérées comme un usage abusif et peuvent créer des conditions dangereuses, risquant d'entraîner des blessures graves.

AVERTISSEMENT :

Pour empêcher un démarrage accidentel pouvant entraîner des blessures graves, toujours retirer le bloc-pile de l'produit avant d'assembler des pièces.

SÉLECTION DE LA MEULE À TRONÇONNER

Il est important de sélectionner le bon type de meule afin d'obtenir les meilleures performances de la scie. Sélectionner la meule en fonction de l'application et du matériau à couper. Choisir la bonne meule permettra une coupe plus rapide et en douceur, et prolongera la durée de vie de la meule.

Les meilleures meules à tronçonner ne couperont pas efficacement, si elles ne sont pas propres et correctement réglées. L'utilisation d'une meule émoussée exercera une lourde charge sur la scie et augmentera le risque de recul. Garder des meules supplémentaires sous la main pour avoir toujours à disposition des meules tranchantes.

Toujours sélectionner et utiliser soigneusement les meules à tronçonner qui sont recommandées pour le matériau à couper. S'assurer que la vitesse opérationnelle minimale des meules accessoires choisies est de 22 500/min ou plus.

AVERTISSEMENT :

Ne jamais utiliser de disques de meulage avec cette scie. L'utilisation d'autres meules que les meules à tronçonner peut causer des dommages à la propriété ou des blessures graves.

INSTALLATION DE L'ASSEMBLAGE DU PATIN

Voir la figure 1, page 13.

- Retirer le bloc-piles de la scie.
- Sortir la clé hexagonale de 4 mm de l'espace de rangement.
- Dévisser complètement la vis de serrage et enlever la bride.
- Placer le patin au dos du protège-meule comme il est illustré.
- Aligner le trou fileté du protège-meule sur la vis située sur la bride.
- Placer la bride dans le protège-meule et serrer la vis pour sécuriser le tout en place.
- Remettre la clé hexagonale de 4 mm dans l'espace de rangement.

Pour les retirer :

- Retirer le bloc-piles de la scie.
- Sortir la clé hexagonale de 4 mm de l'espace de rangement.
- Dévisser complètement la vis de serrage et enlever la bride.
- Soulever le patin loin du protège-meule.
- Remettre la bride et la vis de serrage.
- Remettre la clé hexagonale de 4 mm dans l'espace de rangement.

ASSEMBLAGE

INSTALLATION DE LA MEULE À TRONÇONNER

Voir la figure 2, page 13.

DANGER :

Utiliser UNIQUEMENT des meules à tronçonner ou droites de type 1 (comme celles fournies avec ce produit). Ne jamais fixer un disque de meulage de type 27 à cette scie. L'utilisation de tout autre type de meule n'est pas recommandée et présente un danger pouvant entraîner des blessures graves.

AVERTISSEMENT :

La taille maximum de lame pouvant être utilisée sur cette scie est de 76,2 mm (3 po). Ne jamais utiliser une lame trop épaisse pour permettre à la rondelle de muele extérieure de s'engager sur les méplats de la broche. Des lames de plus grand diamètre toucheraient la protège-meule et des lames trop épaisses ne pourraient pas être maintenues sur la broche par le vis de meule. Ces deux situations peuvent causer un accident grave.

- Retirer le bloc-pile de la scie.
 - Sélectionner une meule à tronçonner appropriée.
- NOTE :** Une meule à tronçonner pour métal, une meule à tronçonner abrasive et une meule à tronçonner pour carrelage sont fournies.

AVERTISSEMENT :

Afin de réduire tout risque de blessure, utiliser uniquement les meules appropriées pour cet outil. Ne jamais utiliser tout type de lame de scie dentée.

- S'assurer que le nouveau disque ne présente pas de défauts tels que fissures ou écailles et que sa vitesse de rotation nominale est correcte. Si le disque présente des défauts ou si sa vitesse nominale est égale ou moins de 22,500 /min, ne pas l'utiliser. Choisir un autre disque.
- Retirer la clé hexagonale de 4 mm du compartiment de rangement.
- Dévisser la vis de serrage au dos du protège-meule et glisser l'assemblage du patin dans sa position la plus basse.
- Placer la scie sur son côté en orientant le protège-meule vers le haut.
- Appuyer et tenir sur le bouton de verrouillage de l'axe et retirer le vis de meule et rondelle de muele extérieure.

NOTE : Tourner le vis de meule vers la gauche pour le retirer.

AVIS :

Pour éviter des dommages à la broche et à son verrouillage, toujours laisser le moteur s'arrêter complètement avant d'engager le verrouillage.

NOTE : Ne pas utiliser la scie circulaire avec le verrouillage de broche engagé.

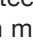
- Appliquer une mince couche d'huile sur la surface de contact des rondelle de muele intérieure et extérieure avec la meule.

AVERTISSEMENT :

Si la rondelle de muele intérieure a été retirée, la remettre en place avant d'installer la lame sur la broche. L'absence de cette pièce pourrait causer un accident, car la muele ne serait pas correctement serrée.

- Insérer la meule à tronçonner dans le protège-meule et sur la broche.
- Remettre la rondelle de muele extérieure en place.
- Appuyer et tenir sur le bouton de verrouillage de la broche et réinstaller le vis de meule. Serrer fermement le vis de meule en le tournant vers la droite.
- Ajuster l'assemblage du patin vers le haut ou le bas afin de régler la profondeur de coupe. Serrer la vis de serrage pour sécuriser le tout en place.
- Retournez la clé hexagonale de 4 mm de son compartiment.

NOTE : Ne jamais utiliser une lame trop épaisse pour permettre à la rondelle de muele extérieure de s'engager sur les méplats de la broche.

Les meules fournies avec cette scie disposent de flèches près du trou central, pour indiquer le sens de rotation des meules lors de l'utilisation de la scie. Avant d'utiliser la scie, veiller à ce que le sélecteur de sens de rotation se trouve dans la bonne position, en consultant la section Sélecteur de sens de rotation ci-après dans le présent manuel. Les meules dotées de flèches bidirectionnelles () peuvent être utilisées en marche avant ou arrière.

AVERTISSEMENT :

Toujours utiliser l'outil avec le sens de rotation approprié pour la meule sélectionnée.

AVERTISSEMENT :

Toujours s'assurer que le bouton du dispositif de verrouillage de la broche est complètement enfoncé avant de mettre l'outil en marche.

DÉPOSE DE LA MEULE À TRONÇONNER

Voir la figure 2, page 13.

- Retirer le bloc-pile de la scie.
- Retirer la clé hexagonale de 4 mm du compartiment de rangement.
- Dévisser la vis de serrage au dos du protège-meule et glisser l'assemblage du patin dans sa position la plus basse.
- Positionner la scie comme illustré, appuyer sur le bouton de verrouillage de la broche retirer le vis de meule en le tournant vers la gauche.
- Retirer la rondelle de muele extérieure.
- Retirer la muele.

UTILISATION

AVERTISSEMENT :

Ne pas laisser la familiarité avec le produit faire oublier la prudence. Ne pas oublier qu'une fraction de seconde d'inattention peut entraîner des blessures graves.

AVERTISSEMENT :

Toujours porter une protection oculaire munie d'écrans latéraux certifiée conforme à la norme ANSI Z87.1, ainsi qu'une protection auditive, un masque antipoussière (dans les conditions poussiéreuses) et le cas échéant, un écran facial complet. Ne pas suivre cette directive pourrait entraîner des blessures graves, par exemple si l'appareil projetait des objets dans vos yeux.

AVERTISSEMENT :

Ne pas utiliser d'outils ou accessoires non recommandés par le fabricant pour ce produit. L'utilisation de pièces et accessoires non-recommandés peut entraîner des blessures graves.

APPLICATIONS

Ce produit ne doit être utilisé que pour les applications listées ci-dessous :

- La coupe de cloison sèche, du plastique, du carrelage, de la céramique, de l'acier, de l'acier inoxydable, du fibro-ciment et des matériaux non ferreux

NOTE : Les applications pour cet outil exigent différents types de meules à tronçonner. S'assurer d'utiliser la meule à tronçonner appropriée pour le travail à réaliser.

INSTALLATION/RETRAIT DU BLOC-PILES

Voir la figure 3, page 14.

Pour install :

- Insérer le bloc-piles.
- S'assurer que les loquets de chaque côté de la pile s'enclenchent en place et que la pile est bien fixée avant d'utiliser l'outil.

Pour retrait :

- Appuyer sur les loquets de chaque côté du bloc-pile.
- Pour prendre connaissance des consignes de chargement, consulter le manuel d'utilisation des piles et des chargeurs.

PROTECTION CONTRE LES SURCHARGES

Le bloc-piles au lithium-ion éteindra automatique l'outil lorsque ce dernier est forcé ou surchargé. Pour redémarrer l'outil, relâcher la gâchette et poursuivre le travail. Si l'outil ne fonctionne toujours pas, retirer et réinstaller les bloc-pile. Ne pas forcer l'outil.

GÂCHETTE À VARIATION DE VITESSE

Voir la figure 4, page 14.

AVERTISSEMENT :

Toujours s'assurer que le bouton du dispositif de verrouillage de la broche est complètement enfoncé avant de mettre l'outil en marche.

La gâchette avec variation de vitesse procurera des vitesses plus élevées si une pression accrue est exercée et des vitesses moins élevées dans le cas d'une pression réduite.

Pour mettre la scie **EN MARCHÉ**, appuyer sur la gâchette. Pour **ÉTEINDRE** la scie, relâcher la gâchette et laisser la muele parvenir à l'arrêt complet.

NOTE : Un bruit de sifflement ou de tintement provenant de la gâchette pendant l'utilisation est une situation normale pour cet interrupteur.

NOTE : L'utilisation de la perceuse à faible vitesse de façon continue peut entraîner une surchauffe. Si la perceuse surchauffe, la refroidir en la laissant tourner à vide et à la vitesse maximum.

AVIS :

Ne jamais couvrir les trous d'aération. Ces derniers doivent toujours être dégagés pour permettre le refroidissement adéquat du moteur.

SÉLECTEUR DE SENS DE ROTATION (AVANT/ARRIÈRE/POSITION CENTRALE VERROUILLÉE)

Voir les figures 4 et 5, page 14.

Régler le sélecteur de sens de rotation à la position **ARRÊT** (position centrale verrouillée) pour verrouiller la gâchette pour réduire la possibilité d'un démarrage accidentel lorsque l'appareil n'est pas utilisé.

Positionner le sélecteur de sens de rotation du côté gauche de la gâchette pour pouvoir percer vers l'avant. Positionner le sélecteur de sens de rotation du côté droit de la gâchette pour inverser le sens de rotation.

NOTE : La scie ne peut fonctionner que si le sélecteur de sens de rotation est poussé à fond vers la droite ou la gauche.

AVIS :

Pour éviter des dommages, toujours laisser la muele parvenir à l'arrêt complet avant de changer de sens de rotation.

AVERTISSEMENT :

Les outils à piles sont toujours en état de fonctionnement. Verrouiller la gâchette lorsque l'outil n'est pas utilisé ou pour le transporter le long du corps, pour insérer ou retirer le bloc-piles et lors de l'installation ou du retrait des muelles.

UTILISATION

LAMPE DE TRAVAIL DÉL

Voir la figure 5, page 14.

La lampe DÉL, située à l'avant de la base de l'outil, s'allume automatiquement lorsque vous appuyez sur la gâchette de commutateur.

Lorsque l'outil n'est pas en usage, la fonction d'arrêt fait en sorte que la lampe faiblit et s'éteint.

La lampe DÉL s'allume seulement lorsqu'un bloc-piles chargé se trouve dans l'outil.

POSITIONNEMENT DU GARDE

Voir la figure 6, page 14.

Le protège-meule de la scie doit être positionné correctement afin de fournir un contrôle et une protection maximum. Ne jamais utiliser la scie si le garde n'est pas correctement installé.

Pour repositionner le garde :

- Retirer le bloc-pile.
- Tenir fermement le protège-meule d'une main et la poignée surmoulée de l'autre main.
- Tourner le protège-meule jusqu'à ce qu'il s'enclenche fermement dans une des quatre positions fixées.

REBOND

Voir les figures 7 et 8, page 14.

On appelle rebond la projection brusque de la scie en direction de l'opérateur, causée par un blocage soudain de la meule. Le blocage de la meule est causée par son pincement dans le matériau.

DANGER :

Si la meule se bloque ou la scie cale, relâcher immédiatement la gâchette. Un rebond peut causer la perte de contrôle de la scie. La perte de contrôle pouvant entraîner des blessures graves.

Pour réduire les risques de rebond, éviter les actions dangereuses, telles que celles décrites ci-dessous:

- Déviation de la meule en cours de coupe.
- Coupe avec une lame émoussée, encrassée ou mal réglée.
- Coupe forcée.
- Utilisation incorrecte ou abusive de l'outil.

Pour réduire les risques de rebond, prendre les précautions suivantes :

- Le cas échéant, ajuster l'assemblage du patin vers le haut ou le bas afin de régler la profondeur de coupe. L'assemblage du patin doit être positionné de sorte que la meule à tronçonner soit très peu visible sous la pièce à travailler. Plus la meule est exposée, plus la scie risque de bloquer et de reculer.
- Effectuer des coupes droites. Toujours utiliser l'assemblage du patin ou un guide de bordure droit lors d'une coupe longitudinale. Ceci évite la déviation de la meule.
- Utiliser des meules à tronçonner propres et tranchantes. Ne jamais couper avec une meule émoussée.
- Soutenir la pièce avant de commencer la coupe.
- Appliquer une pression constante et régulière sur la scie. Ne jamais forcer la scie.
- Toujours attendre que la meule à tronçonner tourne à pleine vitesse avant de commencer à couper.
- Tenir la scie fermement et se tenir bien campé afin de pouvoir la maîtriser en cas de rebond.

AVERTISSEMENT :

Lors de l'utilisation de la scie, toujours être attentif en en contrôle de la scie. Ne pas retirer la scie de la pièce avant arrêt complet de la lame.

UTILISATION DE LA SCIE

Voir les figures 9 à 11, page 14.

DANGER :

Never use the saw with the guard removed. It has been designed for use only with the guard installed. Attempting to use saw with guard removed will result in loose particles being thrown against the operator resulting in serious personal injury.

AVERTISSEMENT :

Pour une coupe plus facile et plus sûre, toujours exercer un contrôle adéquat de la scie. Une perte de contrôle peut entraîner des blessures graves.

UTILISATION

AVERTISSEMENT :

Lorsque la scie est retirée de la planche, la partie inférieure de la lame reste exposée.

- Retirer le bloc-pile.
- Installer la meule à tronçonner appropriée et tourner le protège-meule dans la position souhaitée.
- Ajuster l'assemblage du patin vers le haut ou le bas afin de régler la profondeur de coupe ou l'enlever complètement le cas échéant.
- Assujettir la pièce à couper sur un établi ou une table, au moyen d'un étau ou de serre-joint.
- Marquer clairement la ligne de coupe.
- Installer le bloc-piles.
- Vérifier le sens de rotation sur la meule et sélectionner le bon réglage (marche avant ou marche arrière) sur l'outil.
- Tenir la scie fermement vers l'avant, loin de votre corps, en gardant la meule à l'écart de la pièce à travailler.
- Appuyer sur la gâchette de commutateur et attendre que la meule à tronçonner tourne à pleine vitesse.

WARNING:

La mise en contact avec la pièce d'une meule ne tournant pas à pleine vitesse peut causer un rebond risquant d'entraîner des blessures graves.

- Déplacer la meule à travers la pièce à travailler.
NOTE : Ne pas forcer l'outil. Appliquer suffisamment de pression pour poursuivre la coupe. Laisser la meule et la scie faire leur travail.
- Continuer d'appliquer une pression constante et régulière pour obtenir une coupe uniforme de la pièce. Ne jamais forcer la scie dans le matériau en train d'être coupé.
- Une fois la coupe terminée, relâcher la gâchette et laisser le disque s'arrêter avant de le retirer de la pièce.

COUPE DU CARRELAGE

Toujours dessiner la ligne à être coupée sur le carreaux utilisant un crayon de borne ou graisse. Si le carreaux est brillant et dur-à-la-marque, le lieu masquant la bande sur le carreau et marque la bande.

Un problème commun en coupant le carreaux erre de la ligne marquée. Une fois vous avez erré de la marque, vous ne pouvez pas forcer la meule de retour à la ligne en tordant le carreaux. Plutôt, la sauvegarde et recut que le carreaux coupant en tranches d'une petite quantité de carreau jusqu'à ce que la meule est arrière sur la piste.

COUPE DU PLASTIQUE

La chaleur produite par la meule à tronçonner peut faire fondre le plastique. Respecter ces étapes pour réduire le risque de surchauffe de la meule à tronçonner :

- Couper lentement et ne pas forcer la meule dans le matériau. Appuyer sur la gâchette de façon à maintenir une vitesse ne causant pas la surchauffe du muel.
- Prendre des pauses fréquentes lors de la coupe du plastique et attendre que la meule à tronçonner refroidisse.

COUPE DU MÉTAL

Si une meule à tronçonner pour métal est installée, il est possible de couper divers métaux tels que la tôle en acier, les tuyaux, les tiges en acier, l'aluminium, le laiton et le cuivre.

Faire preuve de prudence lors de la coupe du métal et respecter les consignes suivantes pour éviter tout danger potentiel :

- Ajuster la position du protège-meule pour fournir une protection maximale contre les étincelles et les particules libres éjectées par la meule à tronçonner.
- La pièce chauffe pendant la coupe. Garder les mains à l'écart du métal coupé pour éviter des brûlures graves.
- Ne pas toucher la pièce coupée avant qu'elle ait refroidi, afin d'éviter les brûlures.

ENTRETIEN

AVERTISSEMENT :

Utiliser exclusivement des pièces d'origine pour les réparations. L'usage de toute autre pièce pourrait créer une situation dangereuse ou endommager le produit.

AVERTISSEMENT :

Porter une protection oculaire munie d'écrans latéraux certifiée conforme à la norme ANSI Z87.1 ainsi qu'une protection auditive ou, si nécessaire, un masque facial intégral. Ne pas suivre cette directive pourrait entraîner des blessures graves, par exemple si l'appareil projetait des objets dans vos yeux.

AVERTISSEMENT :

Pour éviter les blessures graves, toujours retirer le bloc-piles de l'outil avant de le nettoyer, de l'entretenir ou de le ranger.

ENTRETIEN GÉNÉRAL

Éviter d'utiliser des solvants pour le nettoyage des pièces en plastique. La plupart des matières plastiques peuvent être endommagées par divers types de solvants du commerce. Utiliser un chiffon propre pour éliminer la saleté, la poussière, l'huile, la graisse, etc.

AVERTISSEMENT :

Ne jamais laisser de liquides tels que le fluide de freins, l'essence, les produits à base de pétrole, les huiles pénétrantes, etc., entrer en contact avec les pièces en plastique. Les produits chimiques peuvent endommager, affaiblir ou détruire le plastique, ce qui peut entraîner des blessures graves.

NETTOYAGE DU FILTRE

Voir la figure 12, page 14.

Un filtre se trouve à l'arrière de l'outil. Il est conçu pour empêcher la saleté, les copeaux et tout autre débris de pénétrer dans l'outil par l'admission d'air. Le filtre peut devenir sale et bouché au fil du temps.

Pour nettoyer le filtre :

- Retirer le bloc-piles.
- Soulever le filtre et le tirer loin de l'outil.
- Utiliser une brosse à poils souples pour déloger et retirer la saleté et les débris.
- Remettre le filtre en le redescendant dans son emplacement.

NOTE : L'outil dispose de plusieurs événements à différents endroits. Il faut nettoyer ces événements régulièrement et chaque fois que le filtre est nettoyé.

NOTE : ILLUSTRATIONS COMMENCE À LA PAGE 13 APRÈS LES SECTION EN ESPAGNOL.

Ce produit est accompagné d'une politique de satisfaction de 90 jours et d'une garantie limitée de trois (3) ans. Pour obtenir les détails de la garantie et de la politique, visiter le site www.RIDGID.com ou appeler (sans frais) au 1-866-539-1710.

ADVERTENCIAS DE SEGURIDAD GENERALES PARA EL USO DE HERRAMIENTAS ELÉCTRICAS

ADVERTENCIA

Lea todas las advertencias, instrucciones, ilustraciones y especificaciones proporcionadas con esta herramienta eléctrica. No seguir las instrucciones indicadas a continuación puede provocar descargas eléctricas, incendios o lesiones graves.

Guarde todas las advertencias e instrucciones para futuras consultas. El término “herramienta eléctrica” empleado en todos los avisos de advertencia enumerados abajo se refiere a las herramientas eléctricas de cordón (alámbricas) y de baterías (inalámbricas).

SEGURIDAD EN EL ÁREA DE TRABAJO

- **Mantenga limpia y bien iluminada el área de trabajo.** Un área de trabajo mal despejada o mal iluminada propicia accidentes.
- **No utilice herramientas motorizadas en atmósferas explosivas, como las existentes alrededor de líquidos, gases y polvos inflamables.** Las herramientas eléctricas generan chispas que pueden encender el polvo y los vapores inflamables.
- **Mantenga alejados a los niños y circunstancias al maniobrar una herramienta eléctrica.** Toda distracción puede causar pérdida del control de la herramienta.

SEGURIDAD ELÉCTRICA

- **Las clavijas de las herramientas eléctricas deben corresponder a las tomas de corriente donde se conectan. Nunca modifique la clavija de ninguna forma. No utilice ninguna clavija adaptadora con herramientas eléctricas dotadas de contacto a tierra.** Conectando las clavijas originales en las tomas de corriente donde corresponden se disminuye el riesgo de una descarga eléctrica.
- **Evite el contacto del cuerpo con las superficies de objetos que estén haciendo tierra o estén conectados a ésta, como tuberías, radiadores, estufas y refrigeradores.** Existe un mayor riesgo de descargas eléctricas si el cuerpo está haciendo tierra.
- **No exponga las herramientas eléctricas a la lluvia ni a condiciones de humedad.** La introducción de agua en una herramienta eléctrica aumenta el riesgo de descargas eléctricas.
- **No maltrate el cordón eléctrico. Nunca utilice el cordón para trasladar, desconectar o tirar de la herramienta eléctrica. Mantenga el cordón alejado del calor, del aceite, de bordes afilados y de piezas móviles.** Los cordones eléctricos dañados o enredados aumentan el riesgo de descargas eléctricas.
- **Al utilizar una herramienta eléctrica a la intemperie, use un cordón de extensión apropiado para el exterior.** Usando un cordón adecuado para el exterior se disminuye el riesgo de descargas eléctricas.

- **Si debe operar una herramienta en lugares húmedos, use un suministro protegido por un interruptor de circuito con pérdida a tierra (GFCI).** El uso de un GFCI reduce el riesgo de descargas eléctricas.
- **Usar este producto únicamente con la baterías y el cargadors indicados en el folleto de la herramienta/aparato/paquete de baterías/cargador complementario 988000-302.**

SEGURIDAD PERSONAL

- **Permanezca alerta, preste atención a lo que esté haciendo y aplique el sentido común al utilizar herramientas eléctricas. No utilice la herramienta eléctrica si está cansado o se encuentra bajo los efectos de alguna droga, alcohol o medicamento.** Un momento de inatención al utilizar una herramienta eléctrica puede causar lesiones corporales serias.
- **Use equipo de seguridad. Siempre póngase protección ocular.** El uso de equipo de seguridad como mascarilla para el polvo, calzado de seguridad, casco y protección para los oídos en las circunstancias donde corresponda disminuye el riesgo de lesiones.
- **Evite un arranque accidental de la unidad. Asegúrese de que el interruptor esté en la posición de apagado antes de conectar la herramienta.** Portar las herramientas eléctricas con el dedo en el interruptor, o conectarlas con el interruptor puesto, propicia accidentes.
- **Retire toda llave o herramienta de ajuste antes de encender la herramienta eléctrica.** Toda llave o herramienta de ajuste dejada en una pieza giratoria de la herramienta eléctrica puede causar lesiones.
- **No estire el cuerpo para alcanzar mayor distancia. Mantenga una postura firme y buen equilibrio en todo momento.** De esta manera se logra un mejor control de la herramienta eléctrica en situaciones inesperadas.
- **Vístase adecuadamente. No vista ropas holgadas ni joyas. Mantenga el cabello, la ropa y los guantes alejados de las piezas móviles.** Las ropas holgadas, las joyas y el cabello largo pueden engancharse en las piezas móviles.
- **Si se suministran dispositivos para conectar mangueras de extracción y captación de polvo, asegúrese de que éstas estén bien conectadas y se usen correctamente.** La utilización de captador de polvo puede disminuir los peligros relacionados con el polvo.
- **No permita que la familiaridad obtenida por el uso frecuente de las herramientas lo vuelva complaciente e ignore los principios de seguridad de las herramientas.** Una acción descuidada puede causar lesiones graves en una fracción de segundo.
- **No vista ropas holgadas ni joyas. Recójase el cabello si está largo.** Las ropas holgadas y las joyas, así como el cabello largo, pueden resultar atraídas hacia el interior de las aberturas de ventilación.
- **No utilice la unidad al estar en una escalera o en un soporte inestable.** Una postura estable sobre una superficie sólida permite un mejor control de la herramienta eléctrica en situaciones inesperadas.

ADVERTENCIAS DE SEGURIDAD GENERALES PARA EL USO DE HERRAMIENTAS ELÉCTRICAS

EMPLEO Y CUIDADO DE LA HERRAMIENTA ELÉCTRICA

- **No fuerce la herramienta eléctrica. Utilice la herramienta eléctrica adecuada para cada trabajo.** La herramienta eléctrica adecuada efectúa mejor y de manera más segura el trabajo, si además se maneja a la velocidad para la que está diseñada.
- **No utilice la herramienta si el interruptor no enciende o no apaga.** Cualquier herramienta eléctrica que no pueda controlarse con el interruptor es peligrosa y debe repararse.
- **Desconecte el enchufe de la fuente de alimentación o retire el paquete de baterías, si es desmontable, de la herramienta eléctrica antes de realizar ajustes, cambiar accesorios o almacenar herramientas eléctricas.** Tales medidas preventivas de seguridad reducen el riesgo de poner en marcha accidentalmente la herramienta.
- **Guarde las herramientas eléctricas desocupadas fuera del alcance de los niños y no permita que las utilicen personas no familiarizadas con las mismas o con estas instrucciones.** Las herramientas eléctricas son peligrosas en manos de personas no capacitadas en el uso de las mismas.
- **Preste servicio a las herramientas eléctricas y accesorios. Revise para ver si hay desalineación o atoramiento de piezas móviles, ruptura de piezas o toda otra condición que pueda afectar el funcionamiento de la herramienta eléctrica. Si la herramienta eléctrica está dañada, hágala reparar antes de usarla. Si está dañada la herramienta eléctrica, permita que la reparen antes de usarla.** Numerosos accidentes son causados por herramientas eléctricas mal cuidadas.
- **Mantenga las herramientas de corte afiladas y limpias.** Las herramientas de corte bien cuidadas y con bordes bien afilados, tienen menos probabilidad de atascarse en la pieza de trabajo y son más fáciles de controlar.
- **Utilice la herramienta eléctrica, los accesorios y brocas, hojas y cuchillas de corte, muelas de esmeril, etc. de conformidad con estas instrucciones, tomando en cuenta las condiciones de trabajo y la tarea por realizar.** Si se utiliza la herramienta eléctrica para operaciones diferentes de las indicadas podría originar una situación peligrosa.
- **Mantenga los mangos y superficies de agarre limpias y libres de aceite y grasa.** Los mangos y superficies de agarre resbalosas no permiten la manipulación y control seguro de la herramienta en situaciones inesperadas.

INSTRUCCIONES DE SEGURIDAD PARA SIERRAS DE VARIOS MATERIALES

- **La protección provista con la herramienta eléctrica debe fijarse firmemente a esta y colocarse para brindar la máxima seguridad posible, de manera que el disco quede expuesto lo menos posible en dirección al**

EMPLEO Y CUIDADO DE LA HERRAMIENTA DE BATERÍAS

- **Sólo cargue el paquete de baterías con el cargador especificado por el fabricante.** Un cargador adecuado para un tipo paquete de baterías puede significar un riesgo de incendio si se emplea con un paquete de baterías diferente.
- **Utilice las herramientas eléctricas sólo con los paquetes de baterías específicamente indicados.** El empleo de paquetes de baterías diferentes puede presentar un riesgo de incendio.
- **Cuando no esté utilizándose el paquete de baterías, manténgalo lejos de otros objetos metálicos, como clips, monedas, llaves, clavos, tornillos o otros objetos metálicos, pequeños que puedan establecer conexión entre ambas terminales.** Establecer una conexión directa entre las dos terminales de las baterías puede causar quemaduras o incendios.
- **Si se maltratan las baterías, puede derramarse líquido de las mismas; evite todo contacto con éste. En caso de contacto, lávese con agua. Si el líquido llega a tocar los ojos, además busque atención médica.** El líquido de las baterías puede causar irritación y quemaduras.
- **No utilice un paquete de baterías o una herramienta que esté dañado o modificado.** Las baterías dañadas o modificadas pueden tener un funcionamiento impredecible que provoque incendios, explosiones o riesgo de lesiones.
- **No exponga el paquete de baterías o una herramienta al fuego o a temperaturas excesivas.** La exposición al fuego o a temperatura sobre los 130 °C (265 °F) puede provocar explosiones.
- **Siga todas las instrucciones de carga y no cargue el paquete de baterías ni la herramienta fuera del rango de temperaturas especificado en las instrucciones.** Si realiza la carga en forma incorrecta o fuera de las temperaturas del rango especificado puede dañar la batería y aumentar el riesgo de incendios.

SERVICIO

- **Permita que un técnico de reparación calificado preste servicio a la herramienta eléctrica, y sólo con piezas de repuesto idénticas.** De esta manera se mantiene la seguridad de la herramienta eléctrica.
- **Nunca repare paquetes de baterías dañados.** La reparación de paquetes de baterías solo puede ser realizada por el fabricante o proveedores de servicio autorizados.

operador. Ubíquese y ubique a las personas presentes lejos del plano del disco en movimiento. La protección ayuda a resguardar al operador de los fragmentos de disco roto y del contacto accidental con el disco.

INSTRUCCIONES DE SEGURIDAD PARA SIERRAS DE VARIOS MATERIALES

- **Use solamente discos de trocear diamantados con la herramienta eléctrica.** El simple hecho de que un accesorio pueda acoplarse a la herramienta eléctrica no garantiza una operación segura.
- **La velocidad nominal del accesorio debe ser, al menos, igual a la velocidad máxima que se indica en la herramienta eléctrica.** Los accesorios que funcionan a una velocidad superior a la nominal pueden romperse y salir despedidos.
- **Los discos se deben emplear solamente para los usos recomendados. Por ejemplo: no muele con el lateral del disco de corte.** Los discos de corte abrasivo está diseñados para el esmerilado periférico. Si se aplica fuerza lateral en los discos, podrían romperse.
- **Use siempre bridas de discos que no estén dañadas y que sean del diámetro correcto para el disco seleccionado.** Las bridas de discos adecuadas sostienen el disco y, de esa manera, reducen la posibilidad de que se rompa.
- **No use discos reforzados desgastados de herramientas eléctricas más grandes.** Los discos diseñados para herramientas eléctricas más grandes no son apropiados para la mayor velocidad de una herramienta más pequeña y podrían romperse.
- **El diámetro externo y el grosor del accesorio deben estar dentro de la capacidad nominal de la herramienta eléctrica.** Los accesorios de tamaño incorrecto no se pueden proteger ni controlar adecuadamente.
- **El tamaño de mandril de los discos y las bridas debe ajustarse adecuadamente al husillo de la herramienta eléctrica.** Los discos y las bridas con orificios para mandril que no coinciden con las piezas de montaje de las herramienta eléctrica se desequilibran, vibran en exceso y pueden causar la pérdida del control.
- **No utilice discos dañados. Antes de cada uso, inspeccione los discos para detectar desportilladuras y grietas. Si la herramienta eléctrica o el disco se caen, controle que no tengan daños o instale un disco no dañado. Luego de inspeccionar e instalar el disco, ubíquese y ubique a las personas presentes lejos del plano del disco en movimiento y opere la herramienta eléctrica a velocidad máxima sin carga durante un minuto.** Los discos dañados generalmente se quiebran durante este tiempo de prueba.
- **Utilice un equipo de protección personal. Según la aplicación, use una careta protectora completa, gafas protectoras o anteojos de seguridad. Según sea apropiado, utilice una máscara antipolvo, protectores auditivos, guantes y un delantal de trabajo a fin de detener pequeños fragmentos abrasivos o de piezas de trabajo.** La protección ocular debe detener los fragmentos suspendidos generados por las distintas operaciones. La máscara antipolvo o el respirador deben filtrar las partículas que se generen durante la operación. La exposición prolongada a ruidos de alta intensidad puede producir pérdida auditiva.
- **Mantenga a las personas presentes a una distancia prudente del área de trabajo. Toda persona que ingrese al área de trabajo debe utilizar equipos de protección personal.** Los fragmentos de las piezas de trabajo o de un disco roto pueden salir disparados y provocar lesiones fuera del área inmediata de operación.
- **Utilice el o los mangos auxiliares, de venir provistos junto con la herramienta.** Cualquier pérdida de control puede causar lesiones.
- **Sujete la herramienta eléctrica por las superficies aisladas de sujeción al efectuar una operación en la cual el accesorio de corte o sujetador pueda entrar en contacto con cables ocultos.** Al cortar un accesorio o sujetador que se encuentre en contacto con un cable con corriente, las piezas metálicas de la herramienta eléctrica podrían “cargarse con corriente” y el operador podría sufrir una descarga eléctrica.
- **Nunca coloque la herramienta eléctrica sobre una superficie hasta que el accesorio se haya detenido por completo.** El disco giratorio puede engancharse en la superficie y hacerle perder el control de la herramienta eléctrica.
- **No utilice la herramienta eléctrica mientras la lleve a su lado.** Si el accesorio giratorio toca accidentalmente la ropa, podría atorarse y engancharse en el cuerpo.
- **Limpie regularmente las aberturas de ventilación de la herramienta eléctrica.** El ventilador del motor atraerá el polvo dentro del alojamiento y la acumulación excesiva del metal en polvo puede provocar riesgos eléctricos.
- **No utilice la herramienta eléctrica cerca de materiales inflamables.** Las chispas podrían encender estos materiales.
- **No use accesorios que requieran refrigerantes líquidos.** El uso de agua y otros refrigerantes líquidos podría resultar en electrocución o choque.

CONTRAGOLPE Y ADVERTENCIAS RELACIONADAS:

El contragolpe es una reacción súbita de un disco en movimiento pellizcado o atorado. El pellizcamiento o atoramiento hacen que el disco en movimiento se detenga repentinamente; esto, a la vez, hace que la herramienta eléctrica fuera de control sea despedida en dirección opuesta a la rotación del disco en el punto del atascamiento.

Por ejemplo, si un disco abrasivo se engancha o se atora en la pieza de trabajo, el borde del disco que entra en el punto de atoramiento puede hundirse en la superficie del material y hacer que el disco se salga o sea expulsado. El disco puede saltar hacia el operador o en la dirección contraria a este, según la dirección del movimiento del disco en el punto de atoramiento. Los discos abrasivos también pueden romperse en estas condiciones.

El contragolpe es el resultado del uso incorrecto de la herramienta eléctrica o de procedimientos o condiciones de trabajo incorrectos, y puede evitarse si se toman las medidas de precaución adecuadas, como las señaladas abajo:

INSTRUCCIONES DE SEGURIDAD PARA SIERRAS DE VARIOS MATERIALES




- **Sujete la herramienta eléctrica firmemente y coloque el cuerpo y los brazos de manera que resista las fuerzas del contragolpe. Siempre use el mango auxiliar, si la herramienta cuenta con uno, para tener el máximo control en caso de contragolpe o reacción del par de torsión durante el arranque.** El operador puede controlar las reacciones del par de torsión o las fuerzas del contragolpe, si se toman las medidas de precaución adecuadas.
- **Nunca coloque la mano cerca del accesorio en movimiento.** Es posible que se produzca un contragolpe del accesorio sobre la mano.
- **Retírese de la línea de corte del disco en movimiento.** El contragolpe impulsará la herramienta en la dirección opuesta al movimiento del disco en el punto de atoramiento.
- **Preste especial atención al trabajar en ángulos, bordes afilados, etc. Evite que el accesorio rebote y se enganche.** Los ángulos, los bordes afilados o la acción de rebote tienden a hacer que el accesorio en movimiento se atore y provocan la pérdida del control o el contragolpe..
- **No acople una cadena de sierra, una hoja de tallar madera o un disco diamantado y segmentado con un espacio periférico superior a 10 mm o con una hoja de sierra dentada.** Dichas hojas suelen crear con frecuencia contragolpes y la consiguiente pérdida del control.
- **Evite “trabar” el disco o aplicar demasiada presión. No intente realizar un corte excesivamente profundo.** Al forzar demasiado el disco, aumentan la carga y la propensión de que este se doble o se atasque durante el corte. También es posible que se produzca un contragolpe o daño en el disco.
- **Cuando el disco se atasca o cuando se interrumpe el corte por cualquier motivo, debe apagar la herramienta eléctrica y mantenerla inmóvil hasta que el disco se detenga por completo. Nunca intente quitar el disco del corte mientras esté en movimiento; si lo hace, se puede producir un contragolpe.** Investigue y tome las medidas correctivas pertinentes para eliminar la causa del atasco del disco.
- **No reinicie la operación de corte en la pieza de trabajo. Permita que el disco alcance la máxima velocidad y vuelva a introducirlo en el corte cuidadosamente.** El disco puede atascarse, moverse hacia atrás o producirse contragolpe si la herramienta eléctrica se vuelve a encender en la pieza de trabajo.
- **Sujete los paneles o cualquier pieza de trabajo demasiado grande para minimizar el riesgo de atoramiento y contragolpe del disco.** Las piezas de trabajo grandes tienden a pandearse por su propio peso. Se deben colocar soportes debajo de la pieza de trabajo, cerca de la línea de corte y cerca del borde de la pieza de trabajo a ambos lados del disco.
- **Tenga especial cuidado al efectuar cortes en cavidad en paredes existentes o en otras partes ciegas (sin vista por ambos lados).** El disco que sobresale podría cortar tuberías de gas o agua, cables eléctricos u objetos que pueden provocar el contragolpe.
- **Las operaciones como el esmerilado, el lijado, el cepillado con alambre o el pulido no se recomiendan con esta herramienta eléctrica.** El uso de esta herramienta eléctrica en aplicaciones para las que no se diseñó puede ser peligroso y causar lesiones.

REGLAS DE SEGURIDAD ADICIONALES







- **Familiarícese con su herramienta eléctrica. Lea cuidadosamente el manual del operador. Aprenda sus usos y limitaciones, así como los posibles peligros específicos de esta herramienta.** Con el cumplimiento de esta regla se reduce el riesgo de una descarga eléctrica, incendio o lesión seria.
- **Use abrazaderas u otra forma práctica de asegurar y sostener la pieza de trabajo en una plataforma estable.** Si sostiene la pieza de trabajo con la mano o contra el cuerpo, la pieza quedará inestable y podría hacerle perder el control.
- **Siempre póngase protección ocular con protección lateral con la marca de cumplimiento de la norma ANSI Z87.1.** Si no cumple esta advertencia, los objetos que salen despedidos pueden producirle lesiones serias en los ojos.
- **Protéjase los pulmones. Use una careta o mascarilla contra el polvo si la operación genera mucho polvo.** Con el cumplimiento de esta regla se reduce el riesgo de lesiones serias.
- **Protéjase los oídos. Durante períodos prolongados de utilización del producto, póngase protección d'oreille.** Con el cumplimiento de esta regla se reduce el riesgo de lesiones corporales serias.
- **Revise para ver si hay piezas dañadas. Antes de seguir utilizando la herramienta, es necesario inspeccionar cuidadosamente toda protección o pieza dañada para determinar si funcionará correctamente y desempeñará la función a la que está destinada. Verifique la alineación de las partes móviles, que no haya atoramiento de partes móviles, que no haya piezas rotas, el montaje de las piezas y cualquier otra condición que pudiera afectar su funcionamiento. Toda protección o pieza que esté dañada debe repararse apropiadamente o reemplazarse en un centro de servicio autorizado.** Con el cumplimiento de esta regla se reduce el riesgo de una descarga eléctrica, incendio o lesión grave.
- **Guarde estas instrucciones.** Consúltelas con frecuencia y empléelas para instruir a otras personas que puedan utilizar esta herramienta. Si presta a alguien esta herramienta, facilítele también las instrucciones.

SÍMBOLOS

Las siguientes palabras de señalización y sus significados tienen el objeto de explicar los niveles de riesgo relacionados con este producto.

SÍMBOLO	SEÑAL	SIGNIFICADO
	PELIGRO:	Indica una situación peligrosa, la cual, si no se evita, causará la muerte o lesiones serias.
	ADVERTENCIA:	Indica una situación peligrosa, la cual, si no se evita, podría causar la muerte o lesiones serias.
	PRECAUCIÓN:	Indica una situación peligrosa, la cual, si no se evita, podría causar lesiones menores o leves.
	AVISO:	(Sin el símbolo de alerta de seguridad) Indica la información que se considera importante, pero no relacionada con lesiones potenciales (por ej. en relación a daños a la propiedad).

Es posible que se empleen en este producto algunos de los siguientes símbolos. Le suplicamos estudiarlos y aprender su significado. Una correcta interpretación de estos símbolos le permitirá utilizar mejor y de manera más segura el producto.

SÍMBOLO	NOMBRE	DENOMINACIÓN/EXPLICACIÓN
	Alerta de seguridad	Indica un peligro posible de lesiones personales.
	Lea el manual del operador	Para reducir el riesgo de lesiones, el usuario debe leer y comprender el manual del operador antes de usar este producto.
	Protección para los ojos, oídos y respirar	Siempre utilice protección ocular con protección lateral con la marca de cumplimiento de la norma ANSI Z87.1, junto con protección auditiva y protección respirar.
	Alerta de condiciones húmedas	No exponga la unidad a la lluvia ni la use en lugares húmedos.
	Símbolo de reciclado	Este producto utiliza baterías de iones de litio (Li-ion). Es posible que algunas leyes municipales, estatales o federales prohíban desechar las baterías en la basura normal. Consulte a las autoridades reguladoras de desechos para obtener información en relación con las alternativas de reciclado y desecho disponibles.
	No acercar las manos	Si no mantiene las manos alejadas del disco, podría sufrir lesiones personales graves.
V	Volts	Voltaje
min	Minutos	Tiempo
≡	Corriente continua	Tipo o característica de corriente
n	Velocidad clasificada	Velocidad máxima de rotación
n ₀	Velocidad en vacío	Velocidad de rotación, en vacío
.../min	Por minuto	Revoluciones, carreras, velocidad superficial, órbitas, etc., por minuto

CARACTERÍSTICAS

ESPECIFICACIONES DEL PRODUCTO

Diámetro del disco de corte 76,2 mm (3,0 pulg.)
Capacidad de corte máxima 16,26 mm (0,64 pulg.)
Tamaño del eje 11,11 mm (7/16 pulg.)

Velocidad nominal 20 000 /min (RPM)
Grosor máximo del disco 2,78 mm (7/64 pulg.)
Tipo de muela Disco de corte de diamante y abrasiva

ARMADO

DESEMPAQUETADO

Este producto requiere armarse.

- Extraiga cuidadosamente de la caja la herramienta y los accesorios. Todos los elementos enumerados en la sección **Incluye** se deben incluir al momento de la compra.

ADVERTENCIA:

Las piezas incluidas en esta sección de *Armado* no vienen ensambladas en el producto de fábrica y requieren la instalación por parte del cliente. El uso de un producto que pueda haber sido armado de manera incorrecta podría provocar lesiones personales graves.

- Inspeccione cuidadosamente la herramienta, para verificar que no haya sufrido ninguna rotura o daño durante el transporte.
- No deseche el material de empaquetado hasta que haya inspeccionado la herramienta con cuidado y la haya utilizado satisfactoriamente.
- Si hay piezas dañadas o faltantes, sírvase llamar al 1-866-539-1710, donde le brindaremos la asistencia necesaria.

ADVERTENCIA:

Si falta o está dañada alguna pieza, no utilice este producto sin haber reemplazado la pieza. Usar este producto con partes dañadas o faltantes puede causar lesiones serias al operador.

ADVERTENCIA:

No intente modificar este producto ni hacer accesorios no recomendados para la misma. Cualquier alteración o modificación constituye maltrato el cual puede causar una condición peligrosa, y como consecuencia posibles lesiones corporales serias.

ADVERTENCIA:

Para evitar un arranque accidental que puede causar lesiones corporales graves, siempre desmonte de la herramienta el paquete de baterías al montarle piezas a aquélla.

SELECCIÓN DEL DISCO DE CORTE

Es importante que seleccione el tipo correcto de disco para obtener el mejor rendimiento de la sierra. Seleccione el disco en función de la aplicación y el material que desee cortar. Si selecciona el disco indicado, obtendrá cortes más rápidos y prolijos, además de prolongar la vida útil del disco.

El mejor disco de corte no cortará de manera eficiente si no se configura de manera apropiada y se mantiene limpio. Si usa un disco desafilado, impondrá una gran carga en la sierra e incrementará el riesgo de un contragolpe. Tenga a mano discos adicionales para usar siempre uno afilado.

Seleccione y use siempre y de forma cuidadosa discos de corte recomendados para el material que desea cortar. Asegúrese de que la velocidad operativa mínima de cualquier disco accesorio seleccionado sea de 22 500 /min.

ADVERTENCIA:

No use nunca discos de esmerilado de ningún tipo con esta sierra. El uso de discos que no corten puede ocasionar daños materiales o lesiones corporales serias.

INSTALACIÓN DEL CONJUNTO DE LA ZAPATA

Vea la figura 1, página 13.

- Quite el paquete de baterías de la sierra.
- Extraiga la llave hexagonal de 4 mm del área de almacenamiento.
- Afloje el tornillo de la abrazadera completamente y extraiga la abrazadera.
- Coloque la zapata en la parte trasera de la protección del disco, como se muestra en la imagen.
- Alinee el orificio roscado de la protección del disco con el tornillo de la abrazadera.
- Coloque la abrazadera en la protección del disco y ajuste el tornillo.
- Vuelva a colocar la llave hexagonal de 4 mm en el área de almacenamiento.

Para retirarlo:

- Quite el paquete de baterías de la sierra.
- Extraiga la llave hexagonal de 4 mm del área de almacenamiento.
- Afloje el tornillo de la abrazadera completamente y extraiga la abrazadera.
- Levante la zapata y quítela de la protección del disco.
- Vuelva a colocar la abrazadera y el tornillo correspondiente.
- Vuelva a colocar la llave hexagonal de 4 mm en el área de almacenamiento.

ARMADO

INSTALACIÓN DEL DISCO DE CORTE

Veá la figura 2, página 13.

PELIGRO:

Use SOLAMENTE discos rectos o de corte Tipo 1 (como los que se proporcionan con el producto). No coloque nunca un disco de esmerilado Tipo 27 en la sierra. No se recomienda utilizar la herramienta para ningún otro uso, ya que puede presentar un peligro de lesiones serias.

ADVERTENCIA:

La máxima capacidad de diámetro de hoja de la sierra es 76,2 mm (3 pulg.). Nunca utilice una hoja tan gruesa que la arandela exterior de la muela no se enganche en las partes planas del husillo. Las hojas más grandes tocan la protección de la muela, y las más gruesas impiden asegurarlas con el tornillo de la rueda correspondiente en el husillo. Cualquiera de estas dos situaciones puede causar un accidente serio.

- Retire el paquete de baterías de la sierra.
- Seleccione el disco de corte apropiado.

NOTA: Se proporcionan un disco de corte, un disco de corte abrasivo y un disco de corte de losas.

ADVERTENCIA:

Para reducir el riesgo de lesiones, solamente use discos apropiados para esta herramienta. No use nunca ningún tipo de hoja de sierra dentada.

- Inspeccione el disco para detectar defectos tales como rajaduras, astillamiento y clasificación de velocidad correcta. Si se encuentran defectos o si la clasificación de velocidad no es igual o mayor a 22,500 /min, no la use. Utilice otro disco.
 - Retire de su lugar de almacenamiento la llave hexagonal de 4 mm.
 - Afloje el tornillo de la abrazadera en la parte trasera de la protección del disco y deslice el conjunto de la zapata a la posición más baja.
 - Recueste la sierra sobre un lado con la protección orientada hacia arriba.
 - Presione y mantenga el botón de seguridad del husillo y extraiga el tornillo de la rueda y arandela exterior de la muela.
- NOTA:** Gire el tornillo de la rueda hacia la izquierda para retirarlo.

AVISO:

Para evitar dañar el husillo o el seguro del mismo, siempre deje que el motor se detenga completamente antes de enganchar el seguro.

NOTA: No ponga a funcionar la sierra circular con el seguro del husillo puesto.


- Unte una gota de aceite en las arandelas interior y exterior de la muela, donde tocan ésta.

ADVERTENCIA:

Si retiró la arandela interior de la muela, vuelva a colocarla antes de instalar la muela en el husillo. Si no lo hace podría producirse un accidente ya que la muela no se apretaría correctamente.

- Coloque el disco de corte dentro de la protección y el husillo.
- Vuelva a colocar la arandela exterior de la muela.
- Presione y mantenga el botón del seguro del husillo y vuelva a colocar el tornillo de la rueda. Apriete firmemente el tornillo de la rueda girándolo hacia la derecha.
- Ajuste el conjunto de la zapata hacia arriba o hacia abajo para establecer la profundidad de corte. Ajuste el tornillo de la abrazadera.
- Regrese la llave hexagonal de 4 mm al compartimiento.

NOTE: Nunca utilice una hoja tan gruesa que no pueda acoplarse la arandela exterior de la muela en las partes planas del husillo.

Los discos proporcionados con la sierra tienen flechas cerca del orificio central que indican la dirección en que deben girar los discos al usar la sierra. Antes de usar la sierra, asegúrese de colocar el selector de dirección de rotación en la posición apropiada (consulte la sección del Selector de dirección de rotación más adelante en este manual). Los discos con flechas en ambas direcciones () pueden usarse hacia delante o hacia atrás.

ADVERTENCIA:

Use siempre la herramienta en la dirección de rotación correcta para el disco seleccionado.

ADVERTENCIA:

Siempre verifique que el botón de bloqueo del husillo esté completamente liberado antes de encender la herramienta.

CÓMO EXTRAER EL DISCO DE CORTE

Veá la figura 2, página 13.

- Retire el paquete de baterías de la sierra.
- Retire de su lugar de almacenamiento la llave hexagonal de 4 mm.
- Afloje el tornillo de la abrazadera en la parte trasera de la protección del disco y deslice el conjunto de la zapata a la posición más baja.
- Coloque la sierra como se muestra, oprima el botón del seguro del husillo, y retire el tornillo de la rueda girándolo a la derecha.
- Retire la arandela exterior de la muela.
- Retire el disco.

FUNCIONAMIENTO

ADVERTENCIA:

No permita que su familiarización con los productos lo vuelva descuidado. Tenga presente que un descuido de un instante es suficiente para causar una lesión grave.

ADVERTENCIA:

Use siempre protección ocular con protección lateral que cumpla con ANSI Z87.1 junto con protección auditiva, una máscara para polvo (cuando trabaje con polvo) y, cuando sea necesario, un protector de rostro completo. La inobservancia de esta advertencia puede causar el lanzamiento de objetos hacia los ojos y otras lesiones graves.

ADVERTENCIA:

No utilice ningún aditamento o accesorio no recomendado por el fabricante de este producto. El empleo de aditamentos o accesorios no recomendados puede causar lesiones serias.

USOS

Este producto puede emplearse para el fin enumerados abajo:

- Cortar yeso, plástico, losa, cerámicos, acero, acero inoxidable, fibrocemento y material no ferroso

NOTA: Las aplicaciones de esta herramienta requieren diferentes tipos de discos de corte. Asegúrese de usar el disco de corte apropiado para el trabajo que desee realizar.

INSTALACIÓN/QUITAR DEL PAQUETE DE BATERÍAS

Vea la figura 3, página 14.

Para instalar:

- Instale el paquete de baterías.
- Asegúrese de que los pestillos situados a ambos lados del paquete de baterías entren completamente en su lugar con un chasquido y de que el paquete quede bien asegurado en la herramienta antes de comenzar a utilizarla.

Para retirar:

- Oprima los pestillos laterales del paquete de baterías.

Para obtener instrucciones específicas de carga, lea el manual del operador que se incluye con el cargador y la batería.

PROTECCIÓN CONTRA SOBRECARGAS

Cuando se fuerce la herramienta o se sobrecargue el motor, la herramienta se apagará automáticamente. Para reiniciar la herramienta, suelte el gatillo y vuelva a usar la herramienta. Si la herramienta aún no reanuda el funcionamiento, retire y vuelva a insertar la batería. No fuerce la herramienta.

GATILLO DEL INTERRUPTOR DE VELOCIDAD VARIABLE

Vea la figura 4, página 14.

ADVERTENCIA:

Siempre verifique que el botón de bloqueo del husillo esté completamente liberado antes de encender la herramienta.

El gatillo de velocidad variable produce mayor velocidad cuanto mayor presión se aplica en el gatillo, y menor velocidad cuanto menor presión se aplica en el mismo.

Para **ENCENDER** la sierra, oprima el gatillo del interruptor. Para **DETENER** la sierra, suelte el gatillo del interruptor y permita que se detenga completamente el disco.

NOTA: Un silbido o zumbido que viene del interruptor durante el uso es una parte normal de la función del interruptor.

NOTA: Si se hace funcionar el taladro a baja velocidad en uso constante puede recalentarse. Si ocurre tal situación, enfríe la sierra poniéndolo a funcionar en vacío y a toda velocidad.

AVISO:

Nunca cubra los orificios de ventilación. Deben estar siempre libres para enfriar correctamente el motor.

SELECTOR DE SENTIDO DE ROTACIÓN (MARCHA ADELANTE / ATRÁS / SEGURO EN EL CENTRO)

Vea las figuras 4 y 5, página 14.

Ajuste el selector de sentido de rotación en la posición de **APAGADO** (seguro en el centro) para bloquear el gatillo del interruptor y ayudar a prevenir un arranque accidental cuando no esté en uso.

Ubique el selector de sentido de rotación a la izquierda del gatillo del interruptor para taladrar hacia adelante. Ubique el selector a la derecha del gatillo del interruptor para taladrar hacia atrás.

NOTA: La sierra no funciona a menos que se empuje el selector de dirección de giro completamente a la izquierda o derecha.

AVISO:

Para evitar dañar, antes de cambiar el sentido de rotación siempre permita que se detenga completamente el disco.

ADVERTENCIA:

Las herramientas de baterías siempre están en condiciones de funcionamiento. Bloquee el interruptor cuando no esté en uso o lo lleve a su lado, al instalar o extraer el paquete de baterías y al instalar o extraer discos.

FUNCIONAMIENTO

DIODO LUMINISCENTE

Vea la figura 5, página 14.

La luz de diodo luminiscente, la cual está situada en la parte frontal de la base de la herramienta, ilumina cuando se oprime el gatillo del interruptor.

Si no se está usando el taladro, la función de tiempo de espera hará que la luz comience a desvanecerse y que luego se apague la herramienta.

La luz de diodo luminiscente se enciende sólo cuando se coloca una batería cargada en la herramienta.

POSICIONAMIENTO DE LA PROTECCIÓN

Vea la figura 6, página 14.

La protección de la sierra debe colocarse de manera correcta a fin de proporcionar máximo control y protección. Nunca utilice la sierra sin la protección correctamente colocada.

Para cambiar la posición de la protección:

- Retire el paquete de baterías.
- Agarre la protección con una mano de manera firme y sostenga con la otra el mango sobremoldeado.
- Gire la protección hasta que encaje de manera segura en una de las cuatro posiciones fijas.

CONTRAGOLPE

Vea las figuras 7 y 8, página 14.

El contragolpe sucede cuando la hoja se detiene rápidamente y la sierra sale empujada hacia el operador. El atoramiento de la hoja es causado por cualquier acción que produzca el pellizcamiento de la hoja en la madera.

PELIGRO:

Si la hoja pierde velocidad o se atora, suelte de inmediato el interruptor. El contragolpe podría causar la pérdida de control de la sierra. La pérdida de control puede originar lesiones serias.

Para protegerse y evitar contragolpes, evite prácticas peligrosas como las siguientes:

- Torcer la hoja al efectuar un corte
- Cortar con una hoja desafilada, mal triscada o cubierta de goma
- Efectuar cortes forzados
- Utilizar la herramienta de forma incorrecta o para un uso inadecuado

Para disminuir el peligro de un contragolpe, siga estas prácticas de seguridad:

- Cuando resulte apropiado, ajuste el conjunto de la zapata hacia arriba o hacia abajo para establecer la profundidad de corte. El conjunto de la zapata debe colocarse de manera que el disco de corte quede poco visible debajo de la pieza de trabajo. Mientras más expuesto quede el disco, mayor será la probabilidad de que la sierra se atasque y genere un contragolpe.
- Corte en línea recta. Use siempre el conjunto de la zapata o una guía de borde recta al realizar corte al hilo. Esto ayuda a evitar el torcimiento de la hoja.
- Use discos de corte limpios y afilados. Nunca efectúe cortes con hojas desafiladas.
- Apoye y sujete la pieza de trabajo antes de iniciar un corte.
- Aplique una presión estable y uniforme al efectuar el corte. Nunca efectúe cortes forzados.
- Deje siempre que el disco de corte llegue a velocidad máxima antes de empezar a cortar.
- Sujete firmemente la sierra y mantenga el cuerpo en una postura bien equilibrada de manera que pueda resistir las fuerzas de un contragolpe si llegara a ocurrir.



ADVERTENCIA:

Al utilizar la sierra siempre permanezca alerta y en control de la herramienta. No retire la sierra de la pieza de trabajo mientras continúe en movimiento la hoja.

UTILIZACIÓN DE LA SIERRA

Vea las figuras 9 a 11, página 14.



PELIGRO:

Nunca utilice la sierra con la protección desmontada. La herramienta ha sido diseñada para utilizarse solamente con la protección montada. Intentar utilizar la sierra con la protección desmontada puede causar el lanzamiento de partículas flojas hacia el operador, con las consiguientes lesiones corporales serias.



ADVERTENCIA:

Para facilitar el corte y que este resulte más seguro, mantenga siempre control apropiado de la sierra. La pérdida de control podría causar un accidente, y como consecuencia posibles lesiones corporales serias.

FUNCIONAMIENTO

ADVERTENCIA:

Al levantar la cortador de loza de la pieza de trabajo, la meula queda expuesta en la parte inferior de la sierra.

- Retire el paquete de baterías.
- Instale el disco de corte apropiado y gire la protección del disco a la posición deseada.
- Ajuste el conjunto de la zapata hacia arriba o hacia abajo para establecer la profundidad de corte o quítelo por completo si es necesario.
- Asegure la pieza de trabajo en un banco o mesa de trabajo con una prensa fija o varias de mano.
- Marque claramente la línea de corte.
- Instale el paquete de baterías.
- Verifique la dirección de rotación del disco y seleccione la configuración apropiada (hacia adelante o hacia atrás) en la herramienta.
- Sostenga la sierra en frente y lejos de usted, manteniendo el disco de corte lejos de la pieza de trabajo.
- Presione el interruptor y deje que el disco de corte alcance velocidad máxima.

ADVERTENCIA:

Si el disco toca la pieza de trabajo antes de alcanzar la velocidad máxima, podría causar un “contragolpe” de la sierra hacia usted y podría producirle lesiones graves.

- Mueva el disco en la pieza de trabajo.
NOTA: No fuerce la herramienta. Aplique sólo la presión suficiente para mantener la sierra cortando. Deje que el disco y la herramienta hagan su trabajo.
- Continúe aplicando presión estable e invariable para lograr un corte uniforme a través del material. Nunca fuerce el disco en el material cortado.
- Una vez terminado el corte, suelte el gatillo del interruptor y deje que deje de girar el disco antes de levantarlo de la pieza de trabajo.

CORTE DE LOSAS

Siempre dibuje la línea para ser cortada en el mosaico que utiliza un lápiz de marcador o grasa. Si la losa es brillante y duro a la marca, cinta adhesiva protectora de lugar en la losa y marca la cinta.

Un problema común al cortar losa se desvía de la línea marcada. Una vez que usted se ha desviado de la marca, usted no puede forzar la espalda de la muela a la línea torciendo el losa. En vez de eso, atrás arriba y recut el mosaico que corta una pequeña cantidad de losa hasta que la rueda regrese en el vestigio.

CORTE DE PLÁSTICO

El calor generado por el disco de corte puede derretir el plástico. Siga los pasos para reducir el riesgo de sobrecalentamiento del disco de corte:

- Corte de manera lenta y no fuerce el disco en el material. Mantenga una velocidad y una presión tales que permitan taladrar sin recalentar el disco.
- Descanse con frecuencia cuando corte material plástico y deje que el disco de corte se enfríe.

CORTE DE METAL

Con un disco de corte de metal instalado, puede cortar metales como acero laminado, tuberías, barras de acero, aluminio, bronce y cobre.

Tenga cuidado al cortar metal y siga las siguientes recomendaciones para evitar potenciales peligros.

- Ajuste la posición de la protección de corte para proporcionar máxima protección contra chispas y partículas arrojadas por el disco de corte
- El material se calentará durante la operación de corte. Mantenga las manos alejadas del metal sometido a la operación de corte para evitar lesiones corporales serias.
- No toque el material de corte hasta que se enfríe o puede quemarse.

MANTENIMIENTO

ADVERTENCIA:

Al dar servicio a la herramienta, utilice solamente piezas de repuesto idénticas. El empleo de piezas diferentes puede implicar peligro o causar daños al producto.

ADVERTENCIA:

Use siempre protección ocular con protección lateral con la marca de cumplimiento de la norma ANSI Z87.1 junto con protección auditiva y, si es necesario, un protector para toda la cara. La inobservancia de esta advertencia puede causar el lanzamiento de objetos hacia los ojos y otras lesiones graves.

ADVERTENCIA:

Para evitar lesiones corporales serias, siempre retire el paquete de baterías de la herramienta al limpiarla o darle mantenimiento.

MANTENIMIENTO GENERAL

Evite el empleo de solventes al limpiar piezas de plástico. La mayoría de los plásticos son susceptibles a diferentes tipos de solventes comerciales y pueden resultar dañados. Utilice paños limpios para eliminar la suciedad, el polvo, el aceite, la grasa, etc.

Este producto tiene una política de satisfacción garantizada de 90 días y una garantía limitada de tres años. Para obtener detalles sobre la garantía y la política de satisfacción garantizada, diríjase a www.RIDGID.com o llame sin cargo al 1-866-539-1710.

ADVERTENCIA:

No permita en ningún momento que fluidos para frenos, gasolina, productos a base de petróleo, aceites penetrantes, etc., lleguen a tocar las piezas de plástico. Las sustancias químicas pueden dañar, debilitar o destruir el plástico, lo cual a su vez puede producir lesiones corporales serias.

LIMPIEZA DEL FILTRO

Vea la figura 12, página 14.

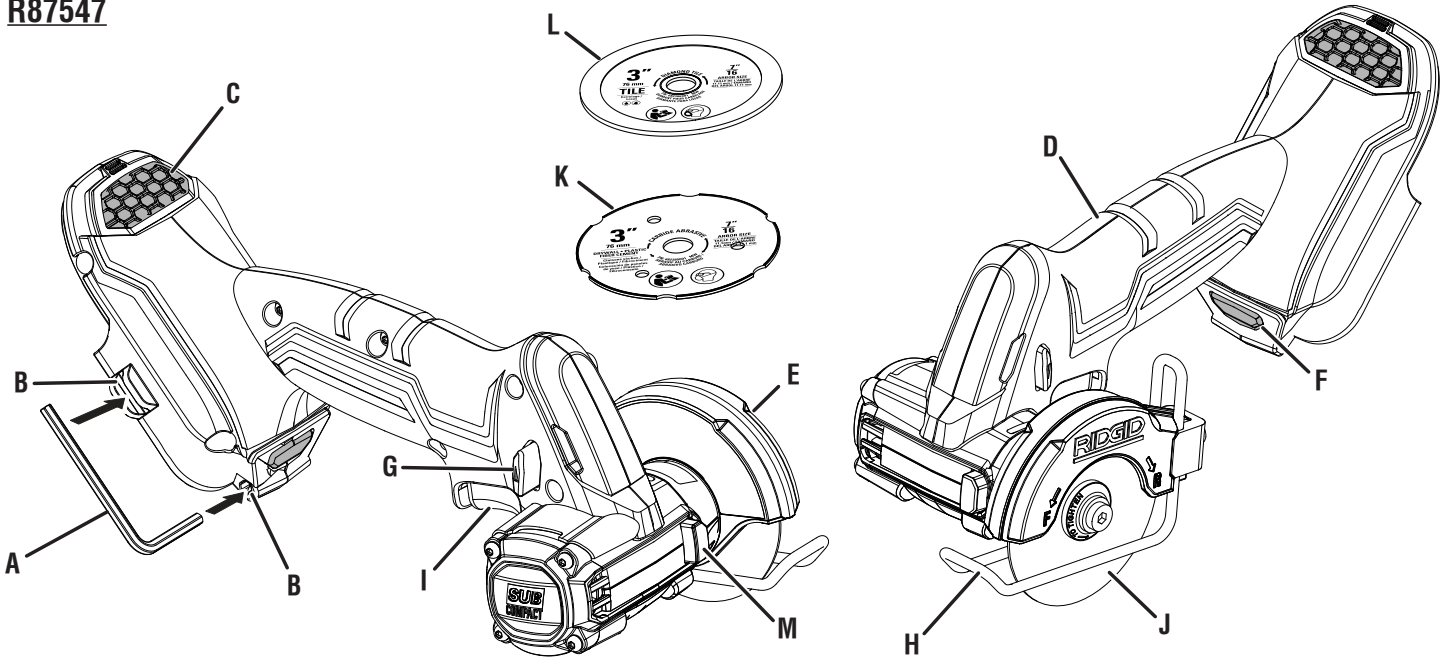
Hay un filtro en la parte posterior de la herramienta. Está diseñado para evitar que entren suciedad, virutas u otras partículas en la herramienta por la entrada de aire. Con el tiempo, el filtro puede ensuciarse y taparse.

Para limpiar el filtro:

- Retire el paquete de baterías.
- Levante el filtro y extráigalo de la herramienta.
- Use un cepillo de cerdas suaves para aflojar y extraer la suciedad.
- Vuelva a colocar el filtro y bájelo para asegurarlo.

NOTA: Hay conductos de ventilación en varias ubicaciones alrededor de la herramienta. Estos deben limpiarse periódicamente y cada vez que limpie el filtro.

R87547

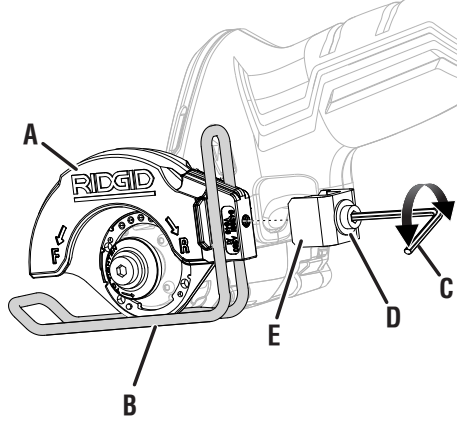


- A - 4 mm hex key (clé hexagonale de 4 mm, llave hexagonal de 4 mm)
- B - Hex key wrench storage (compartiment de rangement de clé hexagonale, lugar de guardar la llave hexagonal)
- C - Filter (filtre, filtro)
- D - Handle (poignée, mango)
- E - Wheel guard (protège-meule, protección de la muela)
- F - LED light (lampe DÉL, diodo luminiscente)

- G - Direction of rotation selector (forward/reverse/center lock) [sélecteur de sens de rotation (sélecteur de sens de rotation / verrouillage central), selector de sentido de rotación (adelante, atrás, seguro en el centro)]
- H - Adjustable shoe assembly (assemblage du patin ajustable, conjunto de zapata ajustable)
- I - Switch trigger (gâchette de commutateur, gatillo del interruptor)

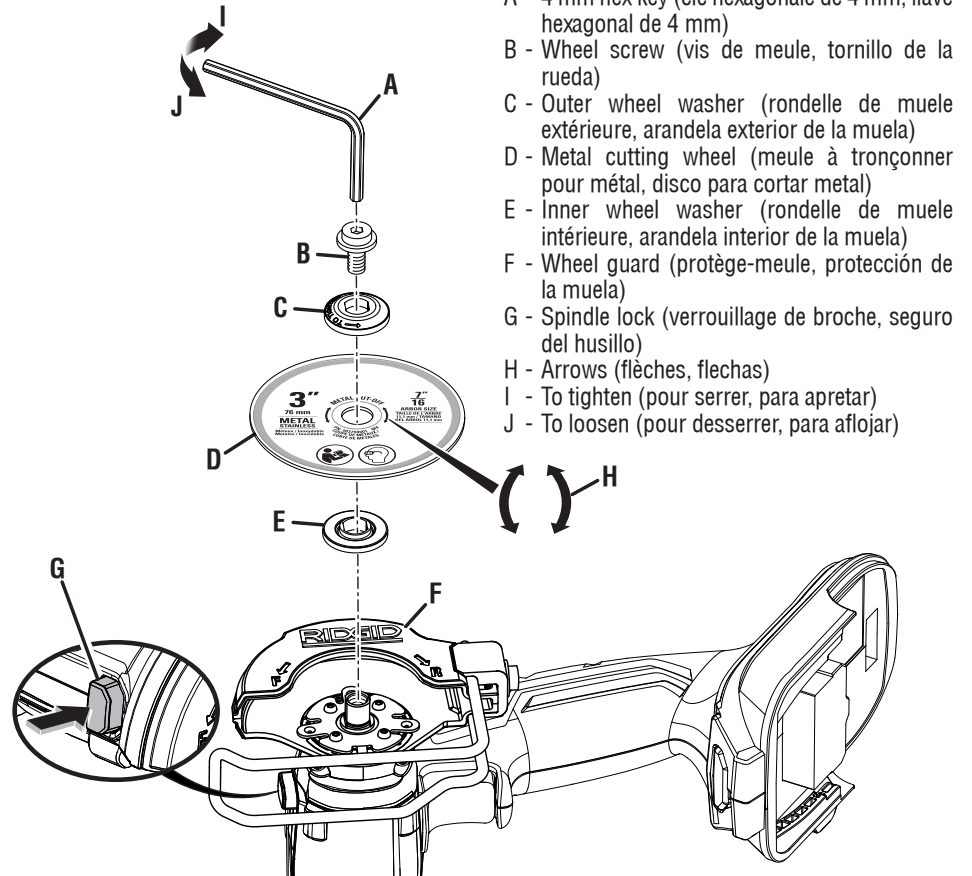
- J - Metal cutting wheel (meule à tronçonner pour métal, disco para cortar metal)
- K - Abrasive cutting wheel (meule à tronçonner abrasive, disco de corte abrasivo)
- L - Tile cutting wheel (meule à tronçonner pour carrelage, disco para cortar losas)
- M - Spindle lock (verrouillage de broche, seguro del husillo)

Fig.1



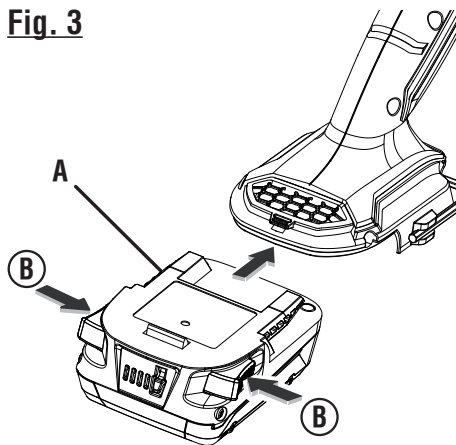
- A - Wheel guard (protège-meule, protección de la muela)
- B - Shoe (patin, zapata)
- C - 4 mm hex key (clé hexagonale de 4 mm, llave hexagonal de 4 mm)
- D - Clamp screw (vis de serrage, tornillo de fijación)
- E - Clamp (bride, prensa)

Fig.2



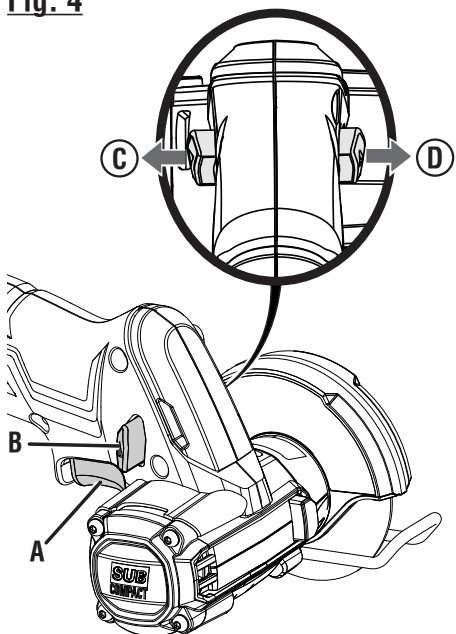
- A - 4 mm hex key (clé hexagonale de 4 mm, llave hexagonal de 4 mm)
- B - Wheel screw (vis de meule, tornillo de la rueda)
- C - Outer wheel washer (rondelle de meule extérieure, arandela exterior de la muela)
- D - Metal cutting wheel (meule à tronçonner pour métal, disco para cortar metal)
- E - Inner wheel washer (rondelle de meule intérieure, arandela interior de la muela)
- F - Wheel guard (protège-meule, protección de la muela)
- G - Spindle lock (verrouillage de broche, seguro del husillo)
- H - Arrows (flèches, flechas)
- I - To tighten (pour serrer, para apretar)
- J - To loosen (pour desserrer, para aflojar)

Fig. 3



- A - Battery pack (bloc-pile, paquete de baterías)
- B - Depress latches to release battery pack (appuyer sur le loquet pour libérer le bloc-pile, para soltar el paquete de baterías oprima el pestillo)

Fig. 4



- A - Switch trigger (gâchette de commutateur, gatillo del interruptor)
- B - Direction of rotation selector (forward/reverse/center lock) [sélecteur de sens de rotation (selécteur de sens de rotation / verrouillage central), selector de sentido de rotación (adelante, atrás, seguro en el centro)]
- C - Forward (avant, atrás)
- D - Reverse (arrière, adelante)

Fig. 8

**KICKBACK - WHEEL SET TOO DEEP IN REVERSE DIRECTION
(RECU - MEULE RÉGLÉE TROP PROFONDÉMENT EN MARCHÉ
ARRIÈRE ; CONTRAGOLPE: DISCO COLOCADO DE
MANERA MUY PROFUNDA EN DIRECCIÓN REVERSA)**

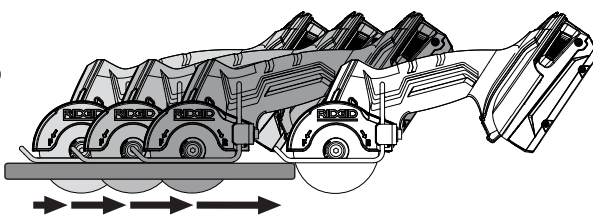
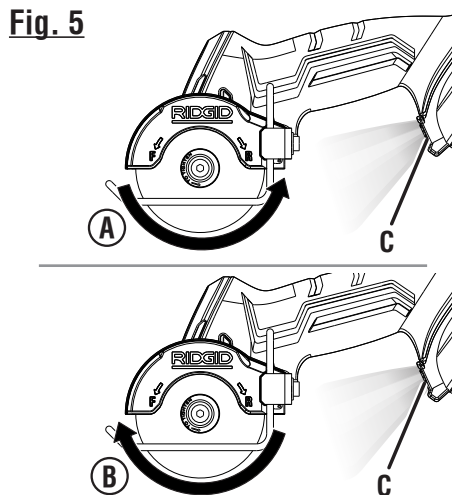
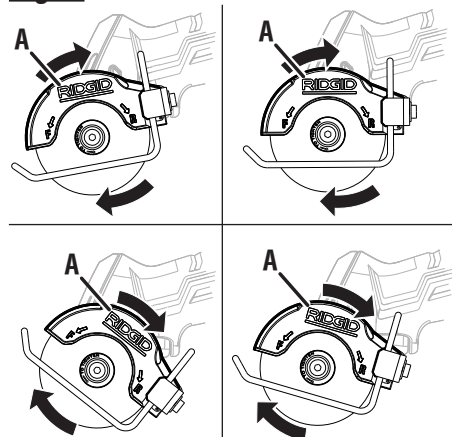


Fig. 5



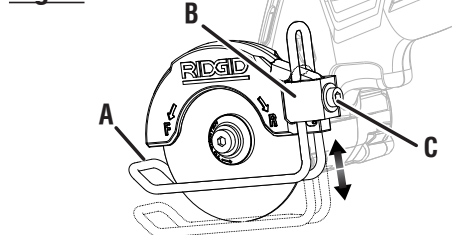
- A - Forward (avant, atrás)
- B - Reverse (arrière, adelante)
- C - LED light (lampe DÉL, diodo luminiscente)

Fig. 6



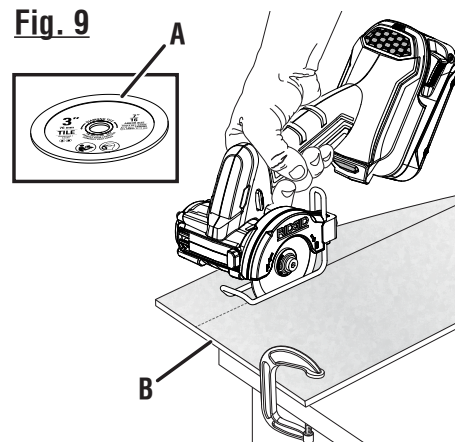
- A - Wheel guard (protège-meule, protección de la muela)

Fig. 7



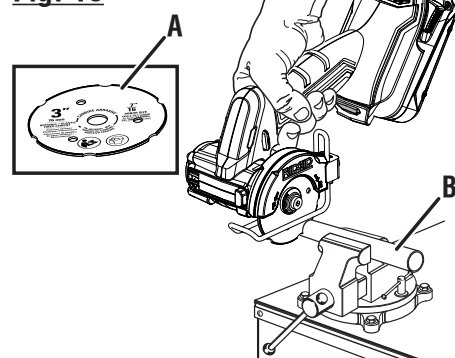
- A - Adjustable shoe assembly (assemblage du patin ajustable, conjunto de zapata ajustable)
- B - Clamp (bride, prensa)
- C - Clamp screw (vis de serrage, tornillo de fijación)

Fig. 9



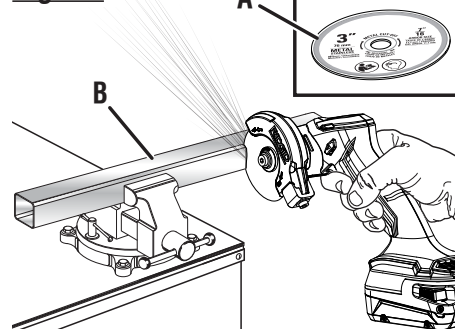
- A - Tile cutting wheel (meule à tronçonner pour carrelage, disco para cortar losas)
- B - Tile (long) [carreau (long), losa (larga)]

Fig. 10



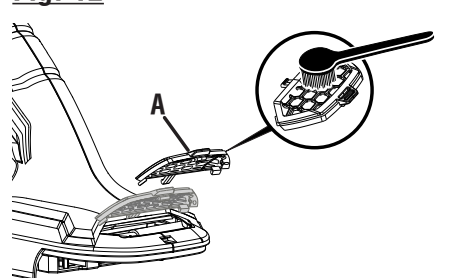
- A - Abrasive cutting wheel (meule à tronçonner abrasive, disco de corte abrasivo)
- B - Plastic pipe (tuyau en plastique, tubo de plástico)

Fig. 11



- A - Metal cutting wheel (meule à tronçonner pour métal, disco para cortar metal)
- B - Metal bar (barre métallique, barra de metal)

Fig. 12



- A - Filter (filtre, filtro)

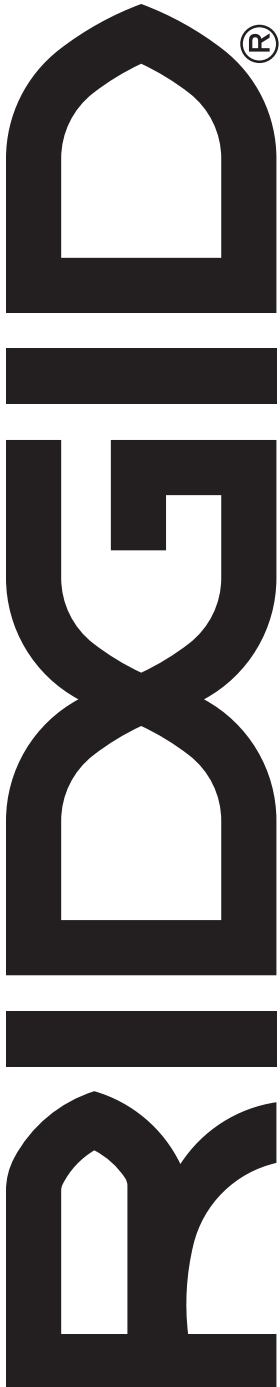
OPERATOR'S MANUAL MANUEL D'UTILISATION MANUAL DEL OPERADOR

18 VOLT 3 in. BRUSHLESS MULTI-MATERIAL SAW

SCIE MULTI MATÉRIAU SANS BALAI 18 V de 76,20 mm (3 po)

SIERRA PARA VARIOS MATERIALES SIN ESCOBILLAS de 18 V de 76,20 mm (3 pulg.)

R87547



Customer Service Information:

For parts or service, do not return this product to the store. Contact your nearest RIDGID® authorized service center. Be sure to provide all relevant information when you call or visit. For the location of the authorized service center nearest you, please call 1-866-539-1710 or visit us online at www.RIDGID.com.

MODEL NO.* _____ SERIAL NO. _____

**Model number on product may have additional letters at the end. These letters designate manufacturing information and should be provided when calling for service.*

Service après-vente :

Pour acheter des pièces ou pour un dépannage, ne pas retourner ce produit au magasin. Contacter le centre de réparations RIDGID® agréé le plus proche. Veiller à fournir toutes les informations pertinentes lors de tout appel téléphonique ou visite. Pour obtenir l'adresse du centre de réparations agréé le plus proche, téléphoner au 1-866-539-1710 ou visiter notre site www.RIDGID.com.

NO. DE MODÈLE* _____ NO. DE SÉRIE _____

**Le numéro de modèle sur le produit peut contenir des lettres supplémentaires à la fin. Ces lettres désignent les informations du fabricant et doivent être fournies lors d'un appel de demande de service.*

Información sobre servicio al consumidor:

Para piezas de repuesto o servicio, no devuelva este producto a la tienda. Comuníquese con el centro de servicio autorizado de productos RIDGID® de su preferencia. Asegúrese de proporcionar todos los datos pertinentes al llamar o al presentarse personalmente. Para obtener información sobre el centro de servicio autorizado más cercano a usted, le suplicamos llamar al 1-866-539-1710 o visitar nuestro sitio en la red mundial, en la dirección www.RIDGID.com.

NÚM. DE MODELO* _____ NÚM. DE SERIE _____

**El número de modelo que figura en el producto podría tener letras adicionales al final. Estas designan información de fabricación y deben suministrarse cuando llame para obtener asistencia o servicio.*

ONE WORLD TECHNOLOGIES, INC.

P.O. Box 1427
Anderson, SC 29622 USA
1-866-539-1710 ■ www.RIDGID.com

RIDGID is a registered trademark of RIDGID, Inc., used under license.

998000131
1-22-20 (REV:04)