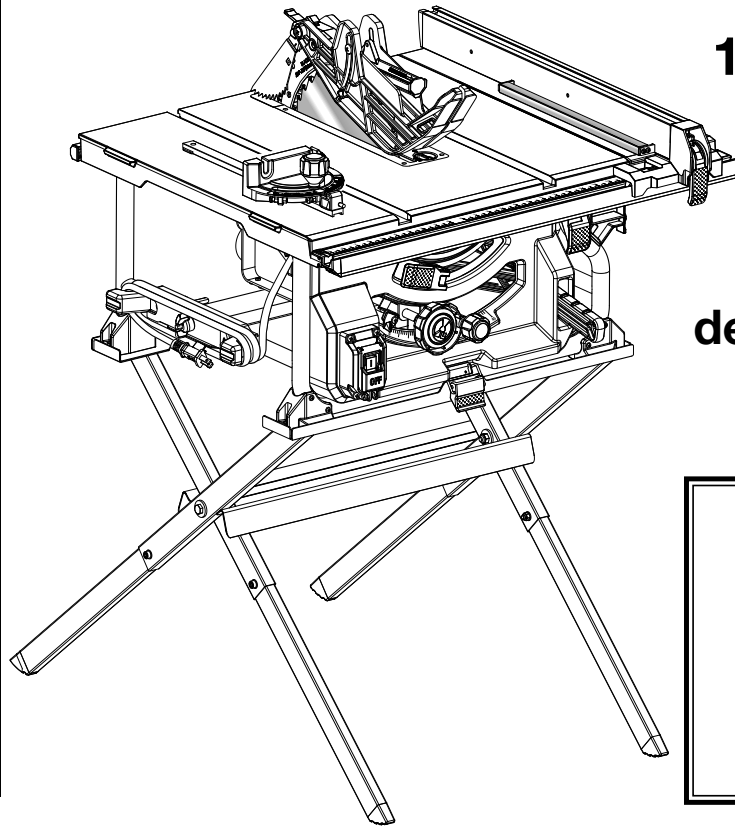


OPERATOR'S MANUAL

MANUEL D'UTILISATION

MANUAL DEL OPERADOR



10 in. TABLE SAW

SCIE À TABLE
de 254 mm (10 po)

SIERRA DE MESA
de 254 mm (10 pulg.)

R4518/R4518T

To register your RIDGID product,
please visit:
register.ridgidpower.com

Pour enregistrer votre produit de
RIDGID, s'il vous plaît la visite :
register.ridgidpower.com

Para registrar su producto de
RIDGID, por favor visita:
register.ridgidpower.com

Your saw has been engineered and manufactured to our high standard for dependability, ease of operation, and operator safety. When properly cared for, it will give you years of rugged, trouble-free performance.

⚠ WARNING:

To reduce the risk of injury, the user must read and understand the operator's manual before using this product.

SAVE THIS MANUAL FOR FUTURE REFERENCE

Cette scie a été conçue et fabriquée conformément aux strictes normes de fiabilité, simplicité d'emploi et sécurité d'utilisation. Correctement entretenu, cet outil vous donnera des années de fonctionnement robuste et sans problème.

⚠ AVERTISSEMENT :

Pour réduire les risques de blessures, l'utilisateur doit lire et veiller à bien comprendre le manuel d'utilisation avant d'employer ce produit.

Su sierra ha sido diseñado y fabricado de conformidad con nuestras estrictas normas para brindar fiabilidad, facilidad de uso y seguridad para el operador. Con el debido cuidado, le brindará muchos años de sólido funcionamiento y sin problemas.

⚠ ADVERTENCIA:

Para reducir el riesgo de lesiones, el usuario debe leer y comprender el manual del operador antes de usar este producto.

**CONSERVER CE MANUEL POUR
FUTURE RÉFÉRENCE**

**GUARDE ESTE MANUAL PARA
FUTURAS CONSULTAS**

TABLE OF CONTENTS

TABLE DES MATIÈRES / ÍNDICE DE CONTENIDO

■ Introduction	2
Introduction / Introducción	
■ General Safety Rules	3-4
Règles de sécurité générales / Reglas de seguridad generales	
■ Table Saw Safety Rules	4-6
Règles de sécurité scie à table / Reglas de seguridad sierra de mesa	
■ Additional Safety Rules	6
Règles de sécurité supplémentaires / Advertencias de seguridad adicionales	
■ Symbols	7
Symboles / Símbolos	
■ Electrical	8
Caractéristiques électriques / Aspectos eléctricos	
■ Glossary of Terms	9
Glossaire / Glosario de términos	
■ Features	10-12
Caractéristiques / Características	
■ Tools Needed	13
Outils nécessaires / Herramientas necesarias	
■ Loose Parts	14
Pièces détachées / Piezas sueltas	
■ Assembly	15-23
Assemblage / Armado	
■ Operation	24-42
Utilisation / Funcionamiento	
■ Adjustments	43-47
Réglages / Ajustes	
■ Maintenance	48-50
Entretien / Mantenimiento	
■ Accessories	50
Accessoires / Accesorios	
■ Troubleshooting	50-51
Dépannage / Solución de problemas	
■ Warranty	52
Garantie / Garantía	
■ Parts Ordering and Service	Back page
Commande de pièces et réparation / Pedidos de piezas y servicio	

INTRODUCTION

INTRODUCTION / INTRODUCCIÓN

This product has many features for making its use more pleasant and enjoyable. Safety, performance, and dependability have been given top priority in the design of this product making it easy to maintain and operate.

* * *

Ce produit offre de nombreuses fonctions destinées à rendre son utilisation plus plaisante et satisfaisante. Lors de la conception de ce produit, l'accent a été mis sur la sécurité, les performances et la fiabilité, afin d'en faire un outil facile à utiliser et à entretenir.

* * *

Este producto ofrece numerosas características para hacer más agradable y placentero su uso. En el diseño de este producto se ha conferido prioridad a la seguridad, el desempeño y la fiabilidad, por lo cual se facilita su manejo y mantenimiento.

GENERAL SAFETY RULES

WARNING:

Read all safety warnings, instructions, illustrations and specifications provided with this power tool. Failure to follow all instructions listed below may result in electric shock, fire and/or serious injury.

Save all warnings and instructions for future reference. The term “power tool” in the warnings refers to your mains-operated (corded) power tool or battery-operated (cordless) power tool.

WORK AREA SAFETY

- **Keep work area clean and well lit.** Cluttered or dark areas invite accidents.
- **Do not operate power tools in explosive atmospheres, such as in the presence of flammable liquids, gases or dust.** Power tools create sparks which may ignite the dust or fumes.
- **Keep children and bystanders away while operating a power tool.** Distractions can cause you to lose control.

ELECTRICAL SAFETY

- **Power tool plugs must match the outlet. Never modify the plug in any way. Do not use any adapter plugs with earthed (grounded) power tools.** Unmodified plugs and matching outlets will reduce risk of electric shock.
- **Avoid body contact with earthed or grounded surfaces, such as pipes, radiators, ranges and refrigerators.** There is an increased risk of electric shock if your body is earthed or grounded.
- **Do not expose power tools to rain or wet conditions.** Water entering a power tool will increase the risk of electric shock.
- **Do not abuse the cord. Never use the cord for carrying, pulling or unplugging the power tool. Keep cord away from heat, oil, sharp edges or moving parts.** Damaged or entangled cords increase the risk of electric shock.
- **When operating a power tool outdoors, use an extension cord suitable for outdoor use.** Use of a cord suitable for outdoor use reduces the risk of electric shock.
- **If operating a power tool in a damp location is unavoidable, use a ground fault circuit interrupter (GFCI) protected supply.** Use of a GFCI reduces the risk of electric shock.

PERSONAL SAFETY

- **Stay alert, watch what you are doing and use common sense when operating a power tool. Do not use a power tool while you are tired or under the influence of drugs, alcohol or medication.** A moment of inattention while operating power tools may result in serious personal injury.

- **Use personal protective equipment. Always wear eye protection.** Protective equipment such as dust mask, non-skid safety shoes, hard hat, or hearing protection used for appropriate conditions will reduce personal injuries.
- **Prevent unintentional starting. Ensure the switch is in the off-position before connecting to power source and/or battery pack, picking up or carrying the tool.** Carrying power tools with your finger on the switch or energizing power tools that have the switch on invites accidents.
- **Remove any adjusting key or wrench before turning the power tool on.** A wrench or a key left attached to a rotating part of the power tool may result in personal injury.
- **Do not overreach. Keep proper footing and balance at all times.** This enables better control of the power tool in unexpected situations.
- **Dress properly. Do not wear loose clothing or jewelry. Keep your hair, clothing and gloves away from moving parts.** Loose clothes, jewelry or long hair can be caught in moving parts.
- **If devices are provided for the connection of dust extraction and collection facilities, ensure these are connected and properly used.** Use of dust collection can reduce dust-related hazards.
- **Do not let familiarity gained from frequent use of tools allow you to become complacent and ignore tool safety principles.** A careless action can cause severe injury within a fraction of a second.

POWER TOOL USE AND CARE

- **Do not force the power tool. Use the correct power tool for your application.** The correct power tool will do the job better and safer at the rate for which it was designed.
- **Do not use the power tool if the switch does not turn it on and off.** Any power tool that cannot be controlled with the switch is dangerous and must be repaired.
- **Disconnect the plug from the power source and/or remove the battery pack, if detachable, from the power tool before making any adjustments, changing accessories, or storing power tools.** Such preventive safety measures reduce the risk of starting the power tool accidentally.
- **Store idle power tools out of the reach of children and do not allow persons unfamiliar with the power tool or these instructions to operate the power tool.** Power tools are dangerous in the hands of untrained users.
- **Maintain power tools and accessories. Check for misalignment or binding of moving parts, breakage of parts and any other condition that may affect the power tool's operation. If damaged, have the power tool repaired before use.** Many accidents are caused by poorly maintained power tools.

GENERAL SAFETY RULES

- **Keep cutting tools sharp and clean.** Properly maintained cutting tools with sharp cutting edges are less likely to bind and are easier to control.
- **Use the power tool, accessories and tool bits etc. in accordance with these instructions, taking into account the working conditions and the work to be performed.** Use of the power tool for operations different from those intended could result in a hazardous situation.
- **Keep handles and grasping surfaces dry, clean and free from oil and grease.** Slippery handles and grasping surfaces do not allow for safe handling and control of the tool in unexpected situations.

SERVICE

- **Have your power tool serviced by a qualified repair person using only identical replacement parts.** This will ensure that the safety of the power tool is maintained.

TABLE SAW SAFETY RULES

BLADE GUARD, RIVING KNIFE AND ANTI-KICKBACK PAWLS

- **Keep guards in place. Guards must be in working order and be properly mounted.** A guard that is loose, damaged, or is not functioning correctly must be repaired or replaced.
- **Always use saw blade guard, riving knife and anti-kickback pawls for every through-cutting operation.** For through-cutting operations where the saw blade cuts completely through the thickness of the workpiece, the guard and other safety devices help reduce the risk of injury.
- **Immediately reattach the guarding system after completing an operation (such as rabbeting, dadoing or resawing cuts) which requires removal of the guard, riving knife and/or anti-kickback pawls.** The guard, riving knife, and anti-kickback pawls help to reduce the risk of injury.
- **Make sure the saw blade is not contacting the guard, riving knife or the workpiece before the switch is turned on.** Inadvertent contact of these items with the saw blade could cause a hazardous condition.
- **Adjust the riving knife as described in the instruction manual.** Incorrect spacing, positioning and alignment can make the riving knife ineffective in reducing the likelihood of kickback.
- **For the riving knife and anti-kickback pawls to work, they must be engaged in the workpiece.** The riving knife and anti-kickback pawls are ineffective when cutting workpieces that are too short to be engaged with the riving knife and anti-kickback pawls. Under these conditions a kickback cannot be prevented by the riving knife and anti-kickback pawls.
- **Use the appropriate saw blade for the riving knife.** For the riving knife to function properly, the saw blade diameter must match the appropriate riving knife and the body of the saw blade must be thinner than the thickness of the riving knife and the cutting width of the saw blade must be wider than the thickness of the riving knife.

CUTTING PROCEDURES

- **DANGER: Never place your fingers or hands in the vicinity or in line with the saw blade.** A moment of inattention or a slip could direct your hand towards the saw blade and result in serious personal injury.
- **Feed the workpiece into the saw blade against the direction of rotation.** Feeding the workpiece in the same direction that the saw blade is rotating above the table may result in the workpiece, and your hand, being pulled into the saw blade.
- **Never use the miter gauge to feed the workpiece when ripping and do not use the rip fence as a length stop when cross cutting with the miter gauge.** Guiding the workpiece with the rip fence and the miter gauge at the same time increases the likelihood of saw blade binding and kickback.
- **When ripping, always apply the workpiece feeding force between the fence and the saw blade. Use a push stick when the distance between the fence and the saw blade is less than 150 mm, and use a push block when this distance is less than 50 mm.** “Work helping” devices will keep your hand at a safe distance from the saw blade.
- **Use only the push stick provided by the manufacturer or constructed in accordance with the instructions.** This push stick provides sufficient distance of the hand from the saw blade.
- **Never use a damaged or cut push stick.** A damaged push stick may break causing your hand to slip into the saw blade.
- **Do not perform any operation “freehand”. Always use either the rip fence or the miter gauge to position and guide the workpiece.** “Freehand” means using your hands to support or guide the workpiece, in lieu of a rip fence or miter gauge. Freehand sawing leads to misalignment, binding and kickback.
- **Never reach around or over a rotating saw blade.** Reaching for a workpiece may lead to accidental contact with the moving saw blade.

TABLE SAW SAFETY RULES

- **Provide auxiliary workpiece support to the rear and/or sides of the saw table for long and/or wide workpieces to keep them level.** A long and/or wide workpiece has a tendency to pivot on the table's edge, causing loss of control, saw blade binding and kickback.
- **Feed workpiece at an even pace. Do not bend or twist the workpiece. If jamming occurs, turn the tool off immediately, unplug the tool then clear the jam.** Jamming the saw blade by the workpiece can cause kickback or stall the motor.
- **Do not remove pieces of cut-off material while the saw is running.** The material may become trapped between the fence or inside the saw blade guard and the saw blade pulling your fingers into the saw blade. Turn the saw off and wait until the saw blade stops before removing material.
- **Use an auxiliary fence in contact with the table top when ripping workpieces less than 2 mm thick.** A thin workpiece may wedge under the rip fence and create a kickback.

KICKBACK

Kickback is a sudden reaction of the workpiece due to a pinched, jammed saw blade or misaligned line of cut in the workpiece with respect to the saw blade or when a part of the workpiece binds between the saw blade and the rip fence or other fixed object.

Most frequently during kickback, the workpiece is lifted from the table by the rear portion of the saw blade and is propelled towards the operator.

Kickback is the result of saw misuse and/or incorrect operating procedures or conditions and can be avoided by taking proper precautions as given below.

- **Never stand directly in line with the saw blade. Always position your body on the same side of the saw blade as the fence.** Kickback may propel the workpiece at high velocity towards anyone standing in front and in line with the saw blade.
- **Never reach over or in back of the saw blade to pull or to support the workpiece.** Accidental contact with the saw blade may occur or kickback may drag your fingers into the saw blade.
- **Never hold and press the workpiece that is being cut off against the rotating saw blade.** Pressing the workpiece being cut off against the saw blade will create a binding condition and kickback.
- **Align the fence to be parallel with the saw blade.** A misaligned fence will pinch the workpiece against the saw blade and create kickback.
- **Use a featherboard to guide the workpiece against the table and fence when making non-through cuts such as rabbeting, dadoing or resawing cuts.** A featherboard helps to control the workpiece in the event of a kickback.

- **Use extra caution when making a cut into blind areas of assembled workpieces.** The protruding saw blade may cut objects that can cause kickback.
- **Support large panels to minimize the risk of saw blade pinching and kickback.** Large panels tend to sag under their own weight. Support(s) must be placed under all portions of the panel overhanging the table top.
- **Use extra caution when cutting a workpiece that is twisted, knotted, warped or does not have a straight edge to guide it with a miter gauge or along the fence.** A warped, knotted, or twisted workpiece is unstable and causes misalignment of the kerf with the saw blade, binding and kickback.
- **Never cut more than one workpiece, stacked vertically or horizontally.** The saw blade could pick up one or more pieces and cause kickback.
- **When restarting the saw with the saw blade in the workpiece, centre the saw blade in the kerf so that the saw teeth are not engaged in the material.** If the saw blade binds, it may lift up the workpiece and cause kickback when the saw is restarted.
- **Keep saw blades clean, sharp, and with sufficient set. Never use warped saw blades or saw blades with cracked or broken teeth.** Sharp and properly set saw blades minimise binding, stalling and kickback.

TABLE SAW OPERATION

- **Turn off the table saw and disconnect the power cord when removing the throat plate, changing the saw blade or making adjustments to the riving knife, anti-kickback pawls or blade guard, and when the machine is left unattended.** Precautionary measures will avoid accidents.
- **Never leave the table saw running unattended. Turn it off and don't leave the tool until it comes to a complete stop.** An unattended running saw is an uncontrolled hazard.
- **Locate the table saw in a well-lit and level area where you can maintain good footing and balance. It should be installed in an area that provides enough room to easily handle the size of your workpiece.** Cramped, dark areas, and uneven slippery floors invite accidents.
- **Frequently clean and remove sawdust from under the saw table and/or the dust collection device.** Accumulated sawdust is combustible and may self-ignite.
- **The table saw must be secured.** A table saw that is not properly secured may move or tip over.
- **Remove tools, wood scraps, etc. from the table before the table saw is turned on.** Distraction or a potential jam can be dangerous.
- **Always use saw blades with correct size and shape (diamond versus round) of arbour holes.** Saw blades that do not match the mounting hardware of the saw will run off-centre, causing loss of control.

TABLE SAW SAFETY RULES




- **Never use damaged or incorrect saw blade mounting means such as flanges, saw blade washers, bolts or nuts.** These mounting means were specially designed for your saw, for safe operation and optimum performance.
- **Never stand on the table saw, do not use it as a stepping stool.** Serious injury could occur if the tool is tipped or if the cutting tool is accidentally contacted.
- **Make sure that the saw blade is installed to rotate in the proper direction. Do not use grinding wheels, wire brushes, or abrasive wheels on a table saw.** Improper saw blade installation or use of accessories not recommended may cause serious injury.

ADDITIONAL SAFETY RULES







- **Know your power tool.** Read the operator's manual carefully. Learn the saw's applications and limitations as well as the specific potential hazards related to this tool.
- **Make workshop childproof with padlocks and master switches, or by removing starter keys.**
- **Use the proper extension cord.** Make sure your extension cord is in good condition. Use only a cord heavy enough to carry the current your product will draw. An undersized cord will cause a drop in line voltage resulting in loss of power and overheating. A wire gauge size (A.W.G.) of at least **14** is recommended for an extension cord 25 feet or less in length. If in doubt, use the next heavier gauge. The smaller the gauge number, the heavier the cord.
- **Always wear eye protection with side shields marked to comply with ANSI Z87.1.** Failure to do so could result in objects being thrown into your eyes, resulting in possible serious injury.
- **Secure work.** Use clamps or a vise to hold work when practical. It's safer than using your hand and frees both hands to operate tool.
- **Use recommended accessories.** Consult the operator's manual for recommended accessories. The use of improper accessories may risk injury.
- **Use only correct blades.** Do not use blades with incorrect size holes. Never use blade washers or blade bolts that are defective or incorrect. The maximum blade capacity of your saw is 10 in. (254 mm).
- **Check damaged parts.** Before further use of the tool, a guard or other part that is damaged should be carefully checked to determine that it will operate properly and perform its intended function. Check for alignment of moving parts, binding of moving parts, breakage of parts, mounting and any other conditions that may affect its operation. A guard or other part that is damaged must be properly repaired or replaced by an authorized service center to avoid risk of personal injury.
- **Never leave tool running unattended. Turn the power off.** Don't leave tool until it comes to a complete stop.
- **Protect your lungs.** Wear a face or dust mask if the cutting operation is dusty.
- **Protect your hearing.** Wear hearing protection during extended periods of operation.
- **When operating a power tool outside, use an outdoor extension cord marked "W-A" or "W".** These cords are rated for outdoor use and reduce the risk of electric shock.
- **Always keep the blade guard and riving knife (splitter) in place and in working order.**
- **Keep hands away from cutting area.** Keep hands away from blades. Do not reach underneath work or around or over the blade while blade is rotating. Do not attempt to remove cut material when blade is moving.
- **Avoid awkward operations and hand positions where a sudden slip could cause your hand to move into the blade.**
- **Do not reach behind the blade with either hand from either side of the saw blade, to support the workpiece, remove wood scraps, or for any other reason while the blade is spinning.**
- **The table saw must be mounted to a firm supporting surface, such as a workbench or leg stand that positions the saw at waist height.** In addition, provide adequate support such as auxiliary tables, roller support tables, outfeed supports, etc. when cutting heavy, wide, or long . Heavy, wide, or long workpieces can tip if not securely supported. If the cut-off piece or workpiece tips, it can lift the blade guard or be thrown by the spinning blade.
- **If the workpiece or blade becomes jammed, turn the table saw off.** Wait for all moving parts to stop and disconnect the plug from the power source. Then work to free the jammed material. After the material is removed, verify that the blade is parallel to the miter gauge groove, and the riving knife and blade are aligned. If the jam occurred during a rip cut, verify that the rip fence is parallel to the blade. Adjust if necessary.

SYMBOLS

The following signal words and meanings are intended to explain the levels of risk associated with this product.

SYMBOL	SIGNAL	MEANING
	DANGER:	Indicates a hazardous situation, which, if not avoided, will result in death or serious injury.
	WARNING:	Indicates a hazardous situation, which, if not avoided, could result in death or serious injury.
	CAUTION:	Indicates a hazardous situation, that, if not avoided, may result in minor or moderate injury.
	NOTICE:	(Without Safety Alert Symbol) Indicates information considered important, but not related to a potential injury (e.g. messages relating to property damage).

Some of the following symbols may be used on this tool. Please study them and learn their meaning. Proper interpretation of these symbols will allow you to operate the tool better and safer.

SYMBOL	NAME	DESIGNATION/EXPLANATION
	Safety Alert	Indicates a potential personal injury hazard.
	Read Operator's Manual	To reduce the risk of injury, user must read and understand operator's manual before using this product.
	Eye Protection	Always wear eye protection with side shields marked to comply with ANSI Z87.1.
	No Hands Symbol	Failure to keep your hands away from the blade will result in serious personal injury.
	Wet Conditions Alert	Do not expose to rain or use in damp locations.
V	Volts	Voltage
A	Amperes	Current
Hz	Hertz	Frequency (cycles per second)
min	Minutes	Time
~	Alternating Current	Type of current
n ₀	No Load Speed	Rotational speed, at no load
	Class II Construction	Double-insulated construction
.../min	Per Minute	Revolutions, strokes, surface speed, orbits, etc., per minute

ELECTRICAL

DOUBLE INSULATION

Double insulation is a concept in safety in electric power tools, which eliminates the need for the usual three-wire grounded power cord. All exposed metal parts are isolated from the internal metal motor components with protecting insulation. Double insulated tools do not need to be grounded.

WARNING:

The double insulated system is intended to protect the user from shock resulting from a break in the tool's internal wiring. Observe all normal safety precautions to avoid electrical shock.

NOTE: Servicing of a product with double insulation requires extreme care and knowledge of the system and should be performed only by a qualified service technician. For service, we suggest you return the tool to your nearest authorized service center for repair. Always use original factory replacement parts when servicing.

ELECTRICAL CONNECTION

This tool has a precision-built electric motor. It should be connected to a **power supply that is 120 V, AC only (normal household current), 60 Hz**. Do not operate this tool on direct current (DC). A substantial voltage drop will cause a loss of power and the motor will overheat. If the tool does not operate when plugged into an outlet, double check the power supply.

POLARIZED PLUGS

See Figure 1.

To reduce the risk of electric shock, this tool has a polarized plug (one blade is wider than the other). This plug will fit in a polarized outlet only one way. If the plug does not fit fully in the outlet, reverse the plug. If it still does not fit, contact a qualified electrician to install the proper outlet. Do not change the plug in any way.

EXTENSION CORDS

When using a power tool at a considerable distance from a power source, be sure to use an extension cord that has the capacity to handle the current the product will draw. An undersized cord will cause a drop in line voltage, resulting in overheating and loss of power. Use the chart to determine the minimum wire size required in an extension cord. Only round jacketed cords listed by Underwriter's Laboratories (UL) should be used.

When working outdoors with a product, use an extension cord that is designed for outside use. This type of cord is designated with "WA" or "W" on the cord's jacket.

Before using any extension cord, inspect it for loose or exposed wires and cut or worn insulation.

**Ampere rating (on tool faceplate)

Cord Length	Wire Size (A.W.G.)					
	0-2.0	2.1-3.4	3.5-5.0	5.1-7.0	7.1-12.0	12.1-16.0
25'	16	16	16	16	14	14
50'	16	16	16	14	14	12
100'	16	16	14	12	10	—

**Used on 12 gauge - 20 amp circuit.

NOTE: AWG = American Wire Gauge

WARNING:

Keep the extension cord clear of the working area. Position the cord so that it will not get caught on lumber, tools or other obstructions while you are working with a power tool. Failure to do so can result in serious personal injury.

WARNING:

Check extension cords before each use. If damaged replace immediately. Never use product with a damaged cord since touching the damaged area could cause electrical shock resulting in serious injury.

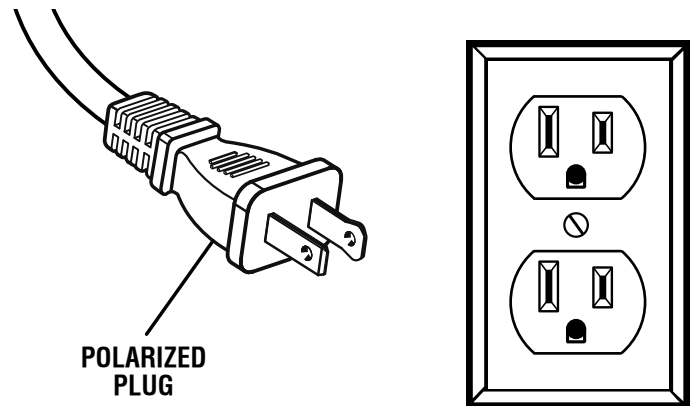


Fig. 1

GLOSSARY OF TERMS

Anti-Kickback Pawls (radial arm and table saws)

A device which, when properly installed and maintained, is designed to stop the workpiece from being kicked back toward the front of the saw during a ripping operation.

Arbor

The shaft on which a blade or cutting tool is mounted.

Bevel Cut

A cutting operation made with the blade at any angle other than 90° to the table surface.

Chamfer

A cut removing a wedge from a block so the end (or part of the end) is angled rather than at 90°.

Compound Cut

A cross cut made with both a miter and a bevel angle.

Cross Cut

A cutting or shaping operation made across the grain or the width of the workpiece.

Cutter Head (planers and jointer planers)

A rotating cutterhead with adjustable blades or knives. The blades or knives remove material from the workpiece.

Dado Cut (table saws and compound sliding miter saws)

A non-through cut which produces a square, three-sided notch or trough in the workpiece.

Featherboard (table saws)

A device used to help control the workpiece by guiding it securely against the table or fence during any ripping operation.

FPM or SPM

Feet per minute (or strokes per minute), used in reference to blade movement.

Freehand

Performing a cut without the workpiece being guided by a fence, miter fence, or other aids.

Gum

A sticky, sap-based residue from wood products.

Heel

Alignment of the blade to the miter gauge groove.

Kerf

The material removed by the blade in a through cut or the slot produced by the blade in a non-through or partial cut.

Kickback

A hazard that can occur when the blade binds or stalls, throwing the workpiece in the direction of the spinning blade.

Miter Cut

A cutting operation made with the workpiece at any angle to the blade other than 90°.

Non-Through Cuts (table saws and compound sliding miter saws)

Any cutting operation where the blade does not extend completely through the thickness of the workpiece. This is a cut where the blade will not cut the workpiece into two pieces.

Pilot Hole (drill presses and scroll saws)

A small hole drilled in a workpiece that serves as a guide for drilling large holes accurately or for insertion of a scroll saw blade.

Push Blocks (jointer planers)

Device used to feed the workpiece over the jointer planer cutterhead during any operation. This aid helps keep the operator's hands well away from the cutterhead.

Push Blocks and Push Sticks (table saws)

Devices used to feed the workpiece through the saw blade during cutting operations. When making a narrow rip cut without a jig or similar cutting aid, always use a push stick (not a push block). A push block can be used for narrow ripping operations, if a jig or similar cutting aid is used. These aids help keep the operator's hands well away from the blade.

Rabbet

A non-through cut positioned on the end or edge of the workpiece which produces a square, two-sided notch or trough in the workpiece.

Resaw (table saws and band saws)

A cutting operation to reduce the thickness of the workpiece to make thinner pieces.

Resin

A sticky, sap-based substance that has hardened.

Revolutions Per Minute (RPM)

The number of turns completed by a spinning object in one minute.

Ripping or Rip Cut (table saws)

A cutting operation along the length of the workpiece and typically in the direction of the grain.

Living Knife/Spreader/Splitter (table saws)

A metal piece, slightly thinner than the blade, which helps keep the kerf open and also helps to prevent kickback.

Saw Blade Path

The area over, under, behind, or in front of the blade. As it applies to the workpiece, that area which will be or has been cut by the blade.

Snipe (planers)

Depression made at either end of a workpiece by cutter blades when the workpiece is not properly supported.

Taper Cut

A cut where the material being cut has a different width at the beginning of the cut from the end.

Through Sawing

Any cutting operation where the blade extends completely through the thickness of the workpiece. This type of cut will separate a single workpiece into two pieces.

Workpiece or Material

The item on which the operation is being done.

Worktable

Surface where the workpiece rests while performing a cutting, drilling, planing, or sanding operation.

FEATURES

PRODUCT SPECIFICATIONS

Blade Arbor 5/8 in.
 Blade Diameter 10 in.
 Bevel Tilt 0° - 45°
 Rating 120 V~, 15 Amps, 60 Hz

No Load Speed 5,000/min. (RPM)
 Cutting Depth at 0° 3-1/8 in.
 Cutting Depth at 45° 2-1/4 in.

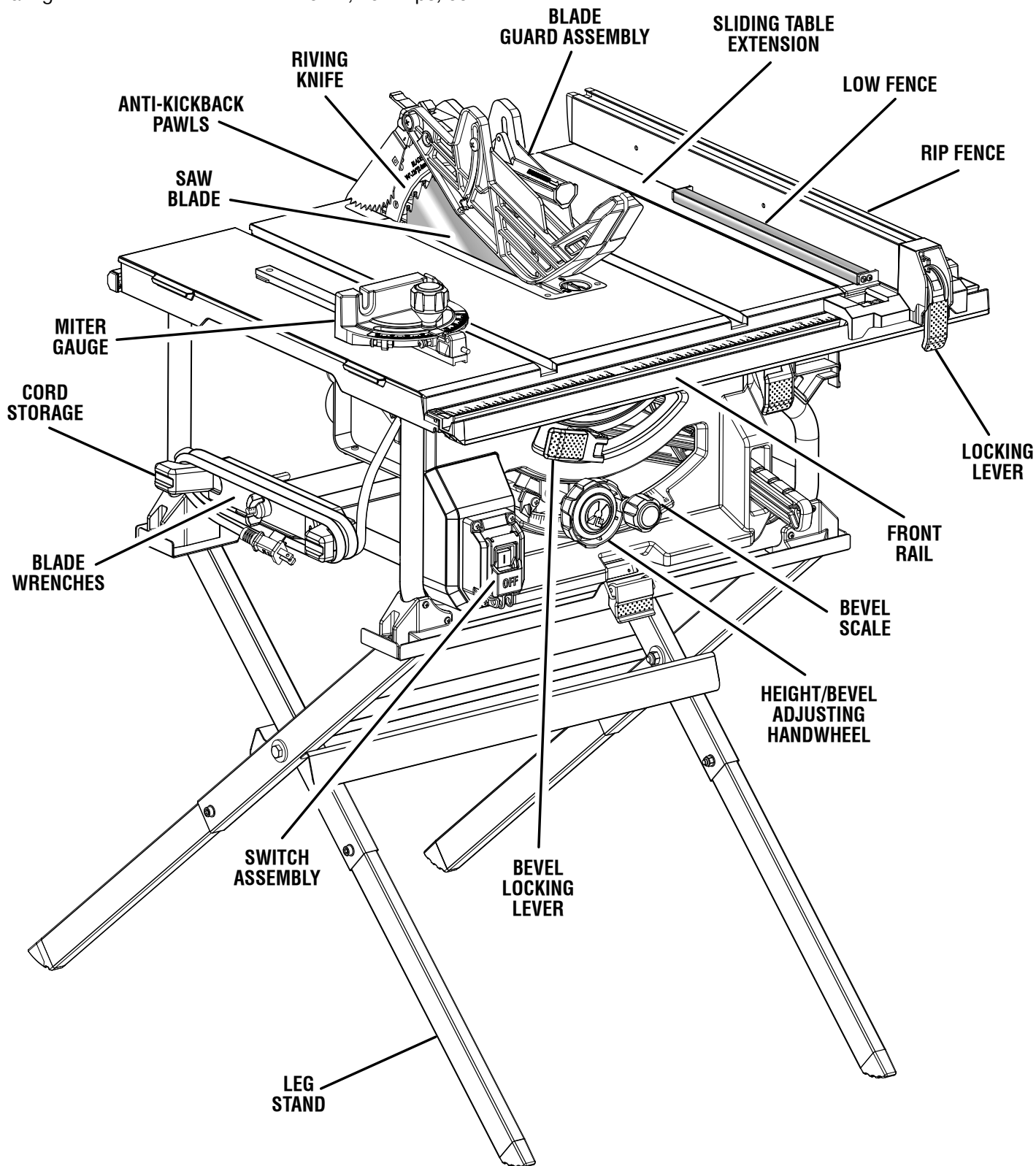


Fig. 2

FEATURES

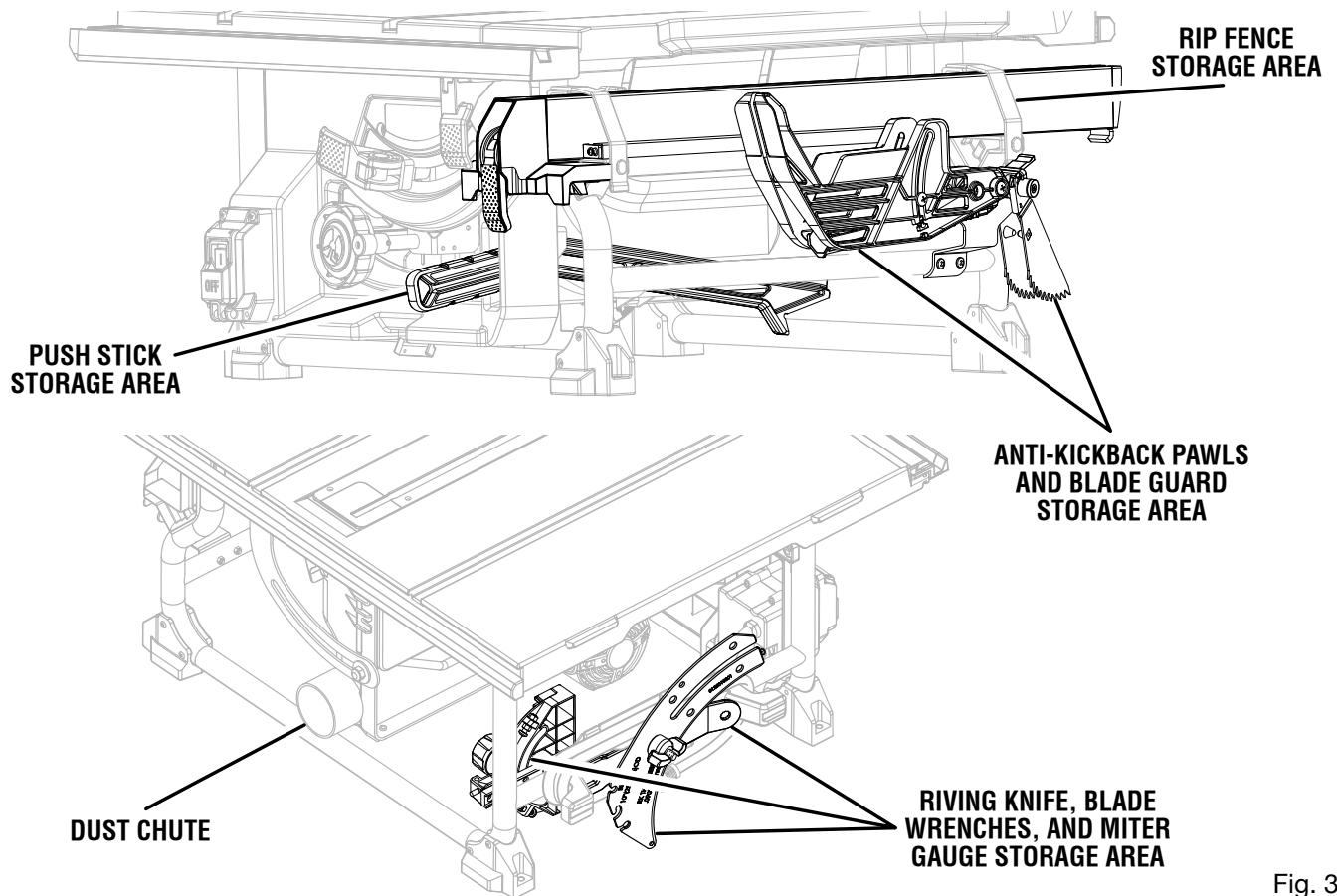


Fig. 3

KNOW YOUR TABLE SAW

See Figures 2 - 3.

The safe use of this product requires an understanding of the information on the tool and in this operator's manual as well as a knowledge of the project you are attempting. Before use of this product, familiarize yourself with all operating features and safety rules.

ACCESSORY STORAGE - Convenient storage areas for the push stick, riving knife, wrenches, blade guard, miter gauge, anti-kickback pawls, and rip fence are located underneath the saw table.

ANTI-KICKBACK PAWLS - Kickback is a hazard in which the workpiece is thrown back toward the operator. The teeth on the removable anti-kickback pawls point away from the workpiece. If the workpiece should be pulled back toward the operator, the teeth dig into the wood to help prevent or reduce the possibility of kickback.

BEVEL LOCKING LEVER - This lever, placed just under the saw table surface on the front of the saw, locks the angle setting of the blade.

BEVEL SCALE - The easy-to-read scale on the front of the saw shows the exact blade angle.

BLADE - For maximum performance, it is recommended that you use the 10 in. carbide tipped combination blade provided with your saw. The blade is raised and lowered with the height/bevel adjusting handwheel. Bevel angles are locked with the bevel locking lever. Additional blade styles of the same high quality are available for specific operations such as ripping. Your local dealer can provide you with complete information.

Blade kerf width must be within the limits stamped on the riving knife.

WARNING:

Do not use blades rated less than the speed of this tool. Failure to heed this warning could result in personal injury.

BLADE GUARD - Always keep the removable blade guard down over the saw blade for through-sawing cuts.

ELECTRIC BRAKE - An electric brake has been provided to stop blade rotation after the saw is turned off.

HEIGHT/BEVEL ADJUSTING HANDWHEEL - Located on the front of the saw, use this handwheel to lower and raise the blade for height adjustments or blade replacement and to make the adjustment for bevel angles.

FEATURES

MITER GAUGE - The miter gauge aligns the workpiece for a cross cut. The easy-to-read indicator shows the exact angle for a miter cut, with positive stops at 90° and 45°.

MITER GAUGE GROOVES - The miter gauge rides in the grooves on the saw table.

RIP FENCE - A sturdy metal fence guides the workpiece and is secured with the locking handle. Grooves run along the top and sides of the rip fence for use with optional clamps and accessories.

NOTE: The low fence should only face the blade when cutting narrow material that is 3/4 inches thick or less.

RIP SCALE - Located on the front rail, the easy-to-read rip scale provides precise measurements for rip cuts.

RIVING KNIFE - A removable metal piece of the blade guard assembly, slightly thinner than the saw blade, which helps keep the kerf open and prevent kickback. When in the through sawing, or “up” position, it is higher than the saw blade. When in the non-through sawing, or “down” position, it is below the saw blade teeth.

SLIDING TABLE EXTENSION - Located on right side of the saw table, this table extension gives the operator additional support when cutatng wide workpieces.

SOFTstart - This saw is equipped with SOFTstart. SOFTstart gradually brings the motor to operating speed by electronically reducing the load and torque at initial start. SOFTstart minimizes the likelihood of tripping circuit breakers.

SWITCH ASSEMBLY - This saw has an easy access switch assembly located below the front rail. To lock the switch, install a padlock (not included) through the holes in the switch and cover. Make certain the switch is inoperable. If the switch is still operable with the padlock installed, a padlock with a larger shackle diameter must be used. Store the padlock key in another location.

OPERATING COMPONENTS

The upper portion of the blade projects up through the table and is surrounded by an insert called the throat plate. The height of the blade is set with a handwheel on the front of the saw. Detailed instructions are provided in the *Operation* section of this manual for the basic cuts: cross cuts, miter cuts, bevel cuts, and compound cuts.

The rip fence is used to position work for lengthwise cuts. A scale on the front rail shows the distance between the rip fence and the blade.

It is very important to use the blade guard assembly for all through-sawing operations. The blade guard assembly includes: riving knife, anti-kickback pawls, and blade guard.

SWITCH ASSEMBLY

See Figure 4.

This saw is equipped with an on/off switch that has a built-in locking feature. This feature is intended to prevent unauthorized and possible hazardous use by children and others.

NOTE: The switch cover does not have to be raised to operate the switch.

TO TURN YOUR SAW ON:

- Press the top button on the switch to turn the saw on.
NOTE: If AC power is disconnected or interrupted while the saw is running, the saw will turn off. To restart the saw, restore AC power and press the top of the switch.

TO TURN YOUR SAW OFF:

- Press the bottom button on the switch to turn the saw off.

TO LOCK YOUR SAW:

- With the saw turned off, install a padlock (not included) through the holes in the switch and switch cover.

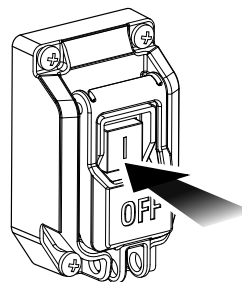
WARNING:

ALWAYS make sure your workpiece is not in contact with the blade before operating the switch to start the tool. Failure to heed this warning could cause the workpiece to be kicked back toward the operator and result in serious personal injury.

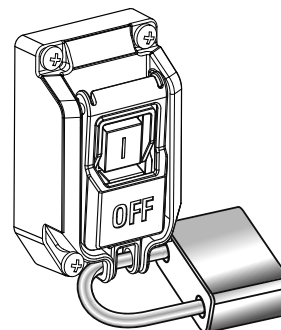
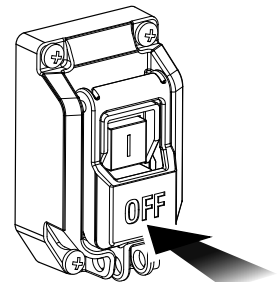
WARNING:

To reduce the risk of accidental starting, always make sure the top button on the switch is not depressed before plugging tool into the power source.

SWITCH ON



SWITCH OFF



SWITCH IN LOCKED POSITION

Fig. 4

TOOLS NEEDED

The following tools (not included or drawn to scale) are needed for assembly and adjustment:

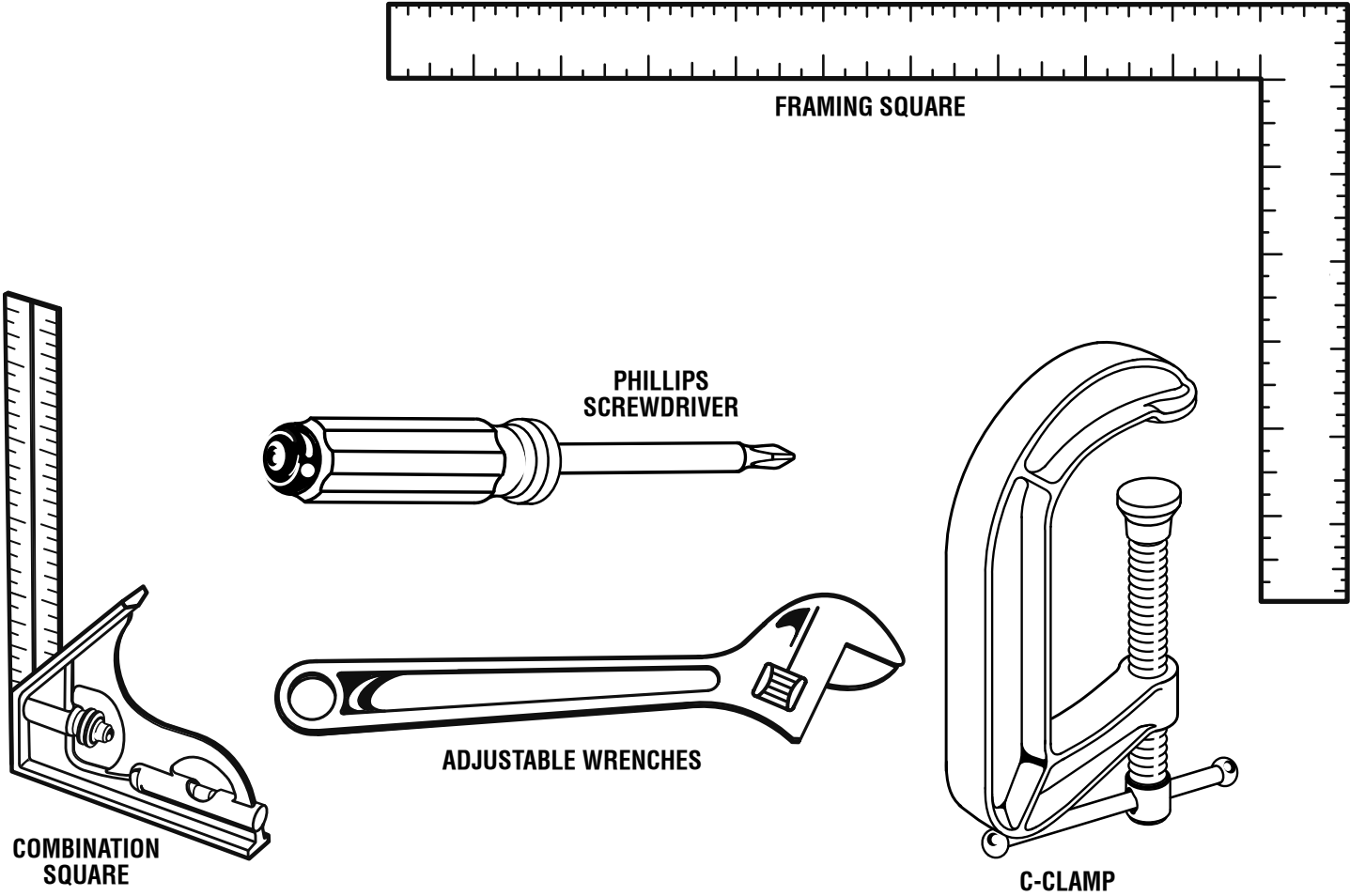


Fig. 5

LOOSE PARTS

The following items are included with your table saw:

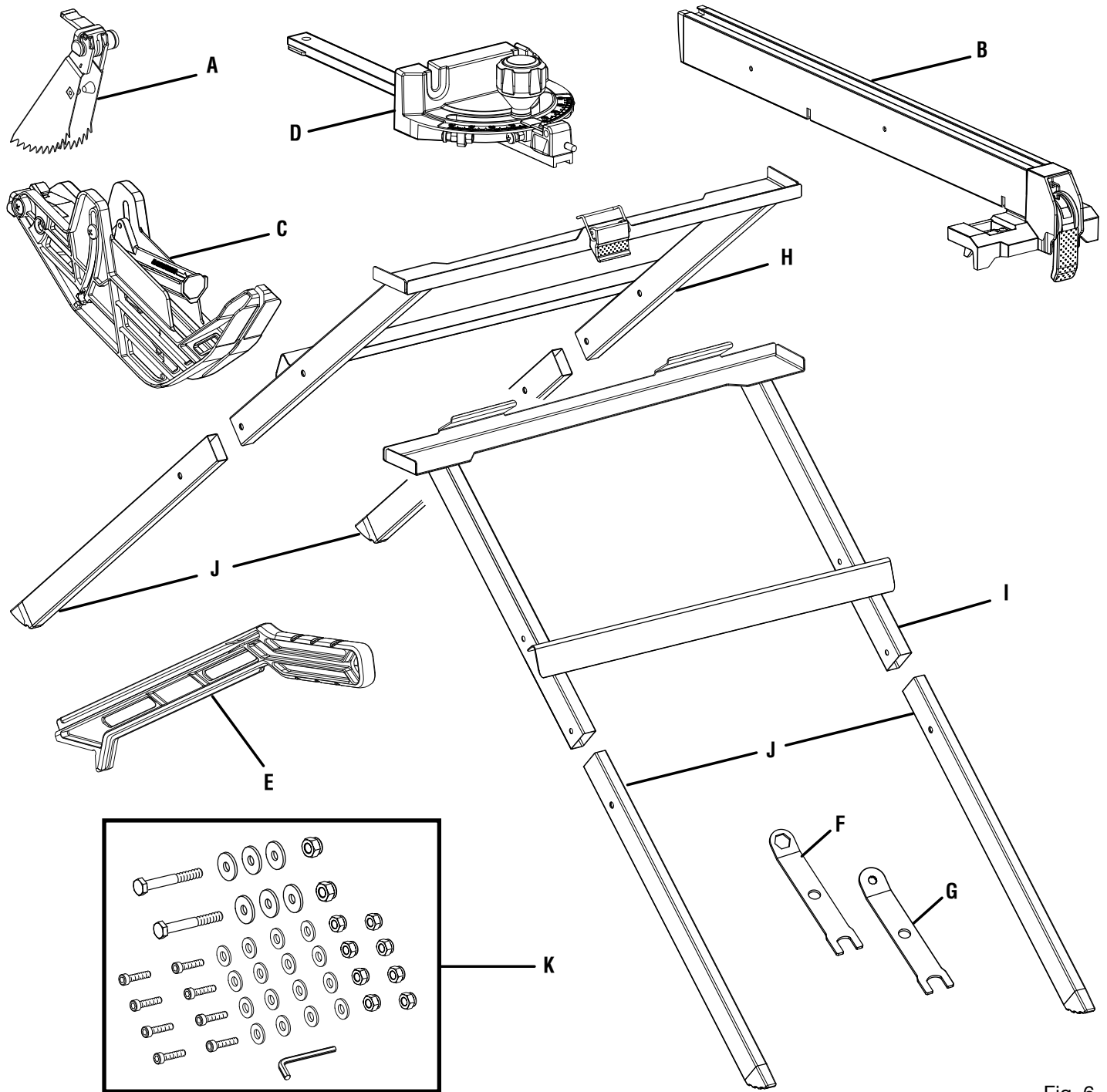


Fig. 6

A. Anti-Kickback Pawls	1	I. Outer Support Bracket	1
B. Rip Fence	1	J. Stand Legs	4
C. Blade Guard	1	K. Hardware Bag	
D. Miter Gauge	1	Hex Head Bolts	2
E. Push Stick	1	Large Washers.....	6
F. Blade Wrench, Large (in storage area)	1	Large Nuts.....	2
G. Blade Wrench, Small (in storage area)	1	Socket Head Bolts	8
H. Inner Support Bracket	1	Small Washers.....	16
		Small Nuts.....	8
		Hex Key (5 mm).....	1

ASSEMBLY

UNPACKING

This product requires assembly.

- Carefully lift the saw from the carton and place it on a level work surface.

WARNING:

Do not use this product if any parts on the *Loose Parts List* are already assembled to your product when you unpack it. Parts on this list are not assembled to the product by the manufacturer and require customer installation. Use of a product that may have been improperly assembled could result in serious personal injury.

-
- Inspect the tool carefully to make sure no breakage or damage occurred during shipping.
 - Do not discard the packing material until you have carefully inspected and satisfactorily operated the tool.

NOTE: Remove the foam block from between the saw's table and the motor by first beveling the blade, refer to **To Change Blade Angle (Bevel)** in the *Operation* section of this manual.

- The saw is factory set for accurate cutting. After assembling it, check for accuracy. If shipping has influenced the settings, refer to specific procedures explained in this manual.
- If any parts are damaged or missing, please call 1-866-539-1710 for assistance.

WARNING:

If any parts are damaged or missing do not operate this tool until the parts are replaced. Use of this product with damaged or missing parts could result in serious personal injury.

WARNING:

Do not attempt to modify this tool or create accessories not recommended for use with this tool. Any such alteration or modification is misuse and could result in a hazardous condition leading to possible serious personal injury.

WARNING:

Do not connect to power supply until assembly is complete. Failure to comply could result in accidental starting and possible serious personal injury.

WARNING:

Do not lift the saw without help. Hold it close to your body. Keep your knees bent and lift with your legs, not your back. Ignoring these precautions can result in back injury.

WARNING:

Never stand directly in line with the blade or allow hands to come closer than 3 in. to the blade. Do not reach over or across the blade. Failure to heed this warning can result in serious personal injury.

WARNING:

To avoid serious personal injury, always make sure the table saw is securely mounted to a workbench or an approved leg stand. NEVER operate the saw on the floor.

MOUNTING HOLES

The table saw must be mounted to a firm supporting surface such as a workbench or leg stand. Four bolt holes have been provided in the saw's frame for this purpose.

To mount the saw to a work bench, insert bolts that are of sufficient length to accommodate the saw base, lock washers, hex nuts, and the thickness of the workbench or other mounting surface. Tighten all bolts or screws securely. Carefully check the workbench after mounting to make sure that no movement can occur during use. If any tipping, sliding, or walking is noted, secure the workbench to the floor before operating.

To mount the saw to the leg stand, refer to specific procedures explained later in this section.

ASSEMBLY

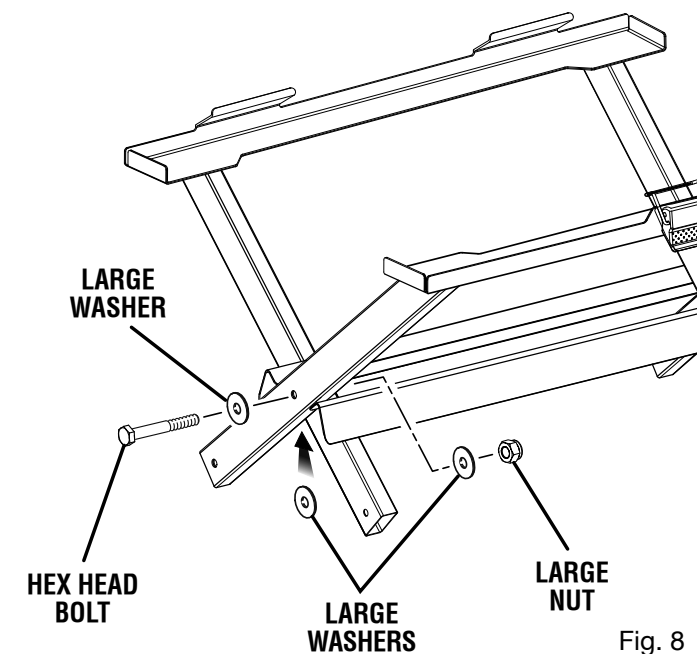
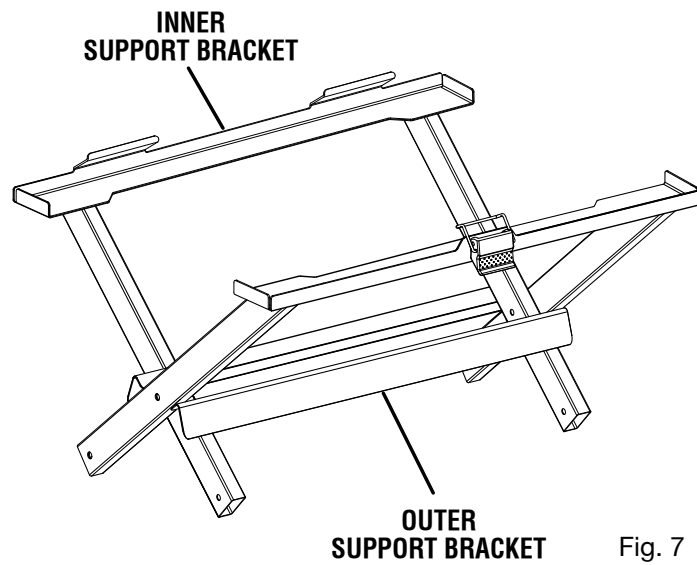
ASSEMBLING THE LEG STAND

See Figures 7 - 10.

NOTE: Do not use this leg stand with other equipment or for other purposes.

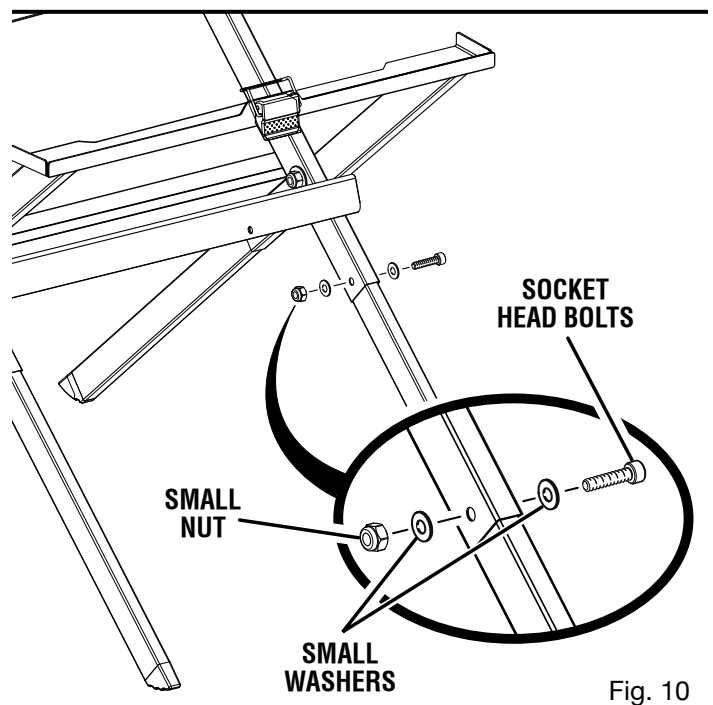
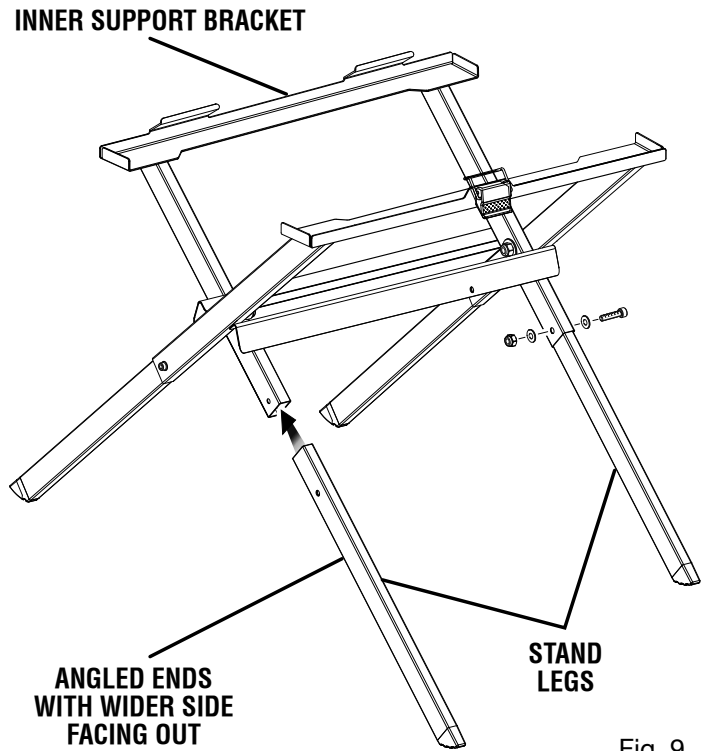
- Position the inner and outer support brackets as shown below so they resemble an "X". Align the holes for hardware.
- Insert a hex head bolt through a large washer, then through the outer support bracket, a second large washer, the inner support bracket, and a third large washer. Install a large nut and tighten securely, but **do not overtighten**. Repeat the process on the opposite side.
- Slide the stand legs into the support brackets. Align the holes for hardware.

NOTE: The longer side of the stand legs should face out.



- Using the socket head bolts, small washers and small nuts, secure the stand legs to the support brackets as shown. Tighten securely.

NOTE: Once the legs are installed, try to fold the stand. If the stand will not fold, adjust the tightness of the nuts securing the support brackets as needed just until the stand can fold without binding.



ASSEMBLY

MOUNTING THE TABLE SAW TO THE LEG STAND

See Figures 11 - 12.

WARNING:

Do not lift the saw without help. The saw weighs approximately 55 lbs. Hold it close to your body. Keep your knees bent and lift with your legs, not your back. Ignoring these precautions can result in back injury.

- With the unit in the upright position, spread the legs of the stand. Place stand on level ground.

NOTE: When positioning the stand make sure each leg is spread fully outward to ensure the stand's stability.

- Hold the table saw at a slight angle and place the rear of the saw onto the stand.

NOTE: The raised tabs on the stand should go over the saw's frame and between the saw's feet. The saw's feet should fit inside the corners of the stand.

- Once the rear of the saw is in place, lower the front of the saw down and fit the feet inside the corners of the stand.

NOTE: Make sure the table saw feet are flush against the stand and that all the stand legs are touching the ground.

- Slide the saw forward slightly and secure in place using the latch on the front of the stand.

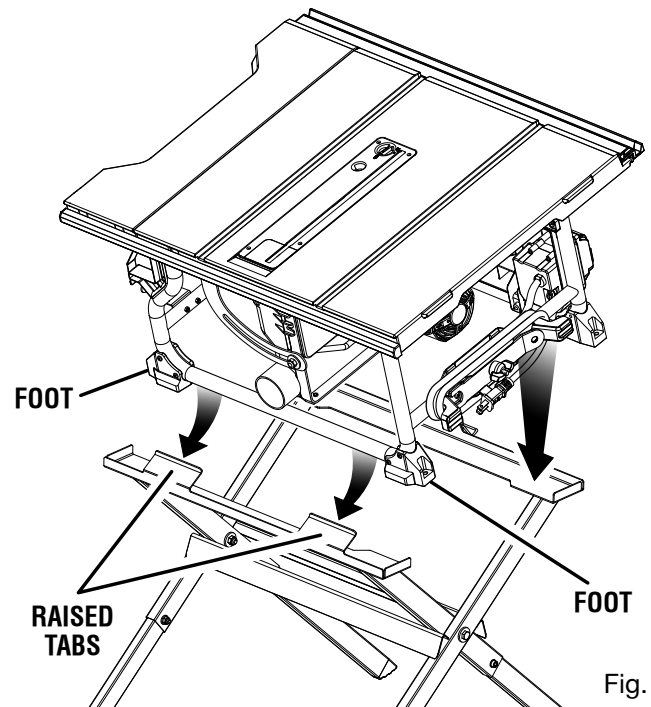


Fig. 11

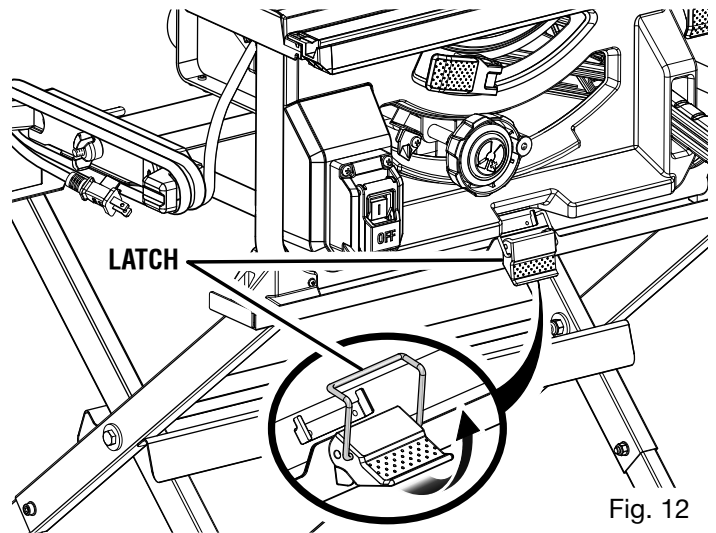


Fig. 12

ASSEMBLY

TO REMOVE/INSTALL/ALIGN THE THROAT PLATE

See Figures 13 - 14.

⚠ WARNING:

If the throat plate is too high or too low, the workpiece can catch on the uneven edges resulting in binding or kickback which could result in serious personal injury. Verify the throat plate is correctly seated. Before turning on the saw, perform a dry run of the cutting operation to make sure that no problems will occur when the cut is made. If the workpiece catches, do not attempt to use the saw. Contact customer service for assistance.

- Lower the blade by turning the height/bevel adjusting handwheel counterclockwise.
- To remove the throat plate, rotate the knob to the unlocked position. Place your index finger into the hole, lift and pull the throat plate out toward the front of the saw.
- To reinstall the throat plate, rotate the knob to the unlocked position. Place throat plate back onto the saw and rotate the knob to the locked position.

NOTE: The throat plate may move up and down over time. If necessary, use a 2.5 mm hex key to adjust the screws in the throat plate until it is level with the saw table.

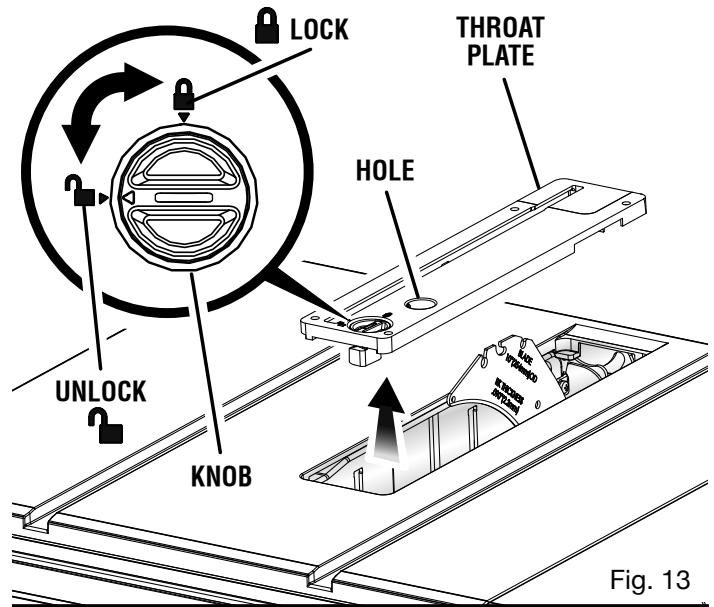


Fig. 13

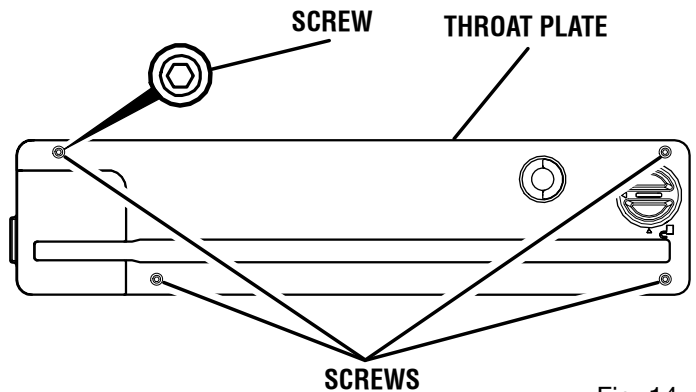


Fig. 14

ASSEMBLY

TO CHANGE RIVING KNIFE POSITIONS

See Figure 15.

This saw is shipped with a riving knife that should be placed in the “down” position for non-through cutting and must be placed in the “up” position for all other cutting operations.

CAUTION:

Use caution when reaching inside the throat in the saw table. Blade contact, even when the blade is still, may result in injury to hands or arms.

- Unplug the saw.

To place in the “up” position for all through cutting:

- Remove the throat plate.
- Raise the saw blade by turning the height/bevel adjusting handwheel clockwise.
- Unlock the release lever by pulling it up.
- Grasp the riving knife and pull it towards the right side of the saw to release the riving knife from the spring-loaded riving clamp.
- Pull the riving knife up until the internal pins are engaged and the riving knife is above the saw blade.
- Lock the release lever by pushing the lever down.

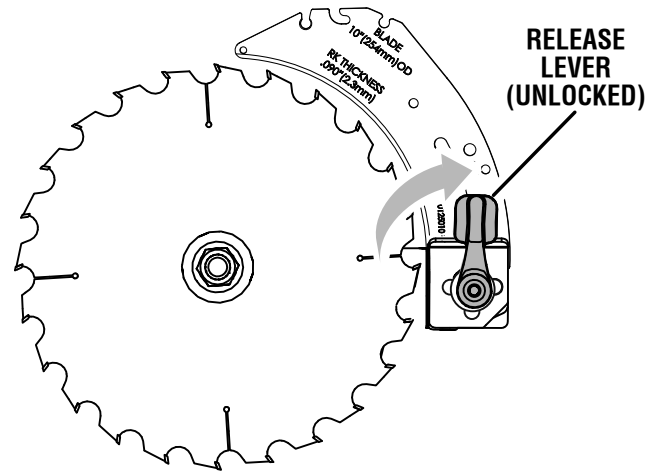
WARNING:

Make sure the release lever is fully seated. If the release lever is difficult to lock, thoroughly clean lever components using compressed air or a clean soft cloth as described in the **Cleaning The Riving Knife Lock Lever Plates** section in *Maintenance*. Failure to completely lock the release lever can allow the riving knife to change position during saw use, which could result in serious personal injury.

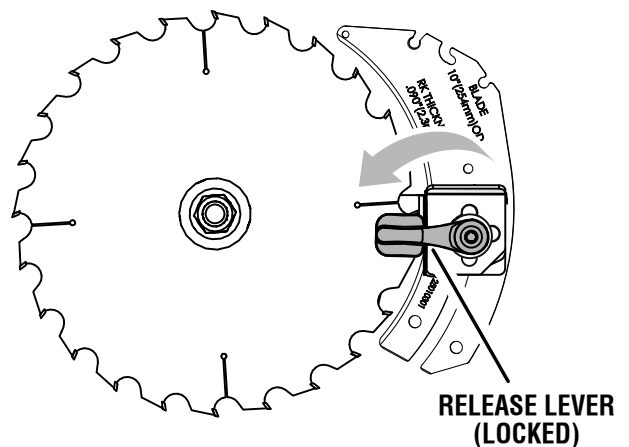
- Reinstall the throat plate.

To place in the “down” position for all non-through cutting:

- Remove the throat plate.
- Raise the saw blade by turning the height/bevel adjusting handwheel clockwise.
- Unlock the release lever by pulling it up.



IN “UP” POSITION
FOR THROUGH CUTTING



IN “DOWN” POSITION
FOR NON-THROUGH CUTTING

Fig. 15

- Grasp the riving knife and pull it towards the right side of the saw to release the riving knife from the spring-loaded riving clamp.
- Push the riving knife down until it is below the saw blade.
- Lock the release lever by pushing the lever down.
- Reinstall the throat plate.

ASSEMBLY

TO CHECK SAW BLADE INSTALLATION

See Figure 16.

NOTICE:

To work properly, the saw blade teeth must point down toward the front of the saw. Failure to heed this warning could cause damage to the saw blade, the saw, or the workpiece.

- Unplug the saw.
- Remove blade wrenches from storage area by unscrewing wing nut.
- Lower the saw blade by turning the height/bevel adjusting handwheel counterclockwise and remove the throat plate.
- Raise the saw blade to its full height by turning the height/bevel adjusting handwheel clockwise.
- Make sure the bevel locking lever is securely pushed to the left.
- Place riving knife in “up” position.

To loosen the blade:

- Using the larger blade wrench, place the flat open end on the flats on the arbor shaft.
- Insert the closed end of the smaller blade wrench over the blade nut. Holding both wrenches firmly, pull the smaller wrench forward to the front of the machine.

NOTE: Arbor shaft has right-hand threads.

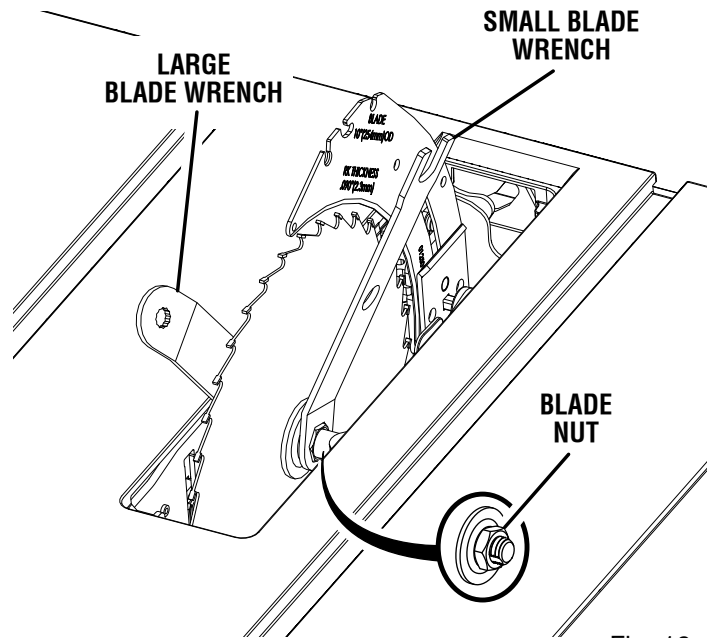


Fig. 16

To tighten the blade:

- Using the larger blade wrench, place the flat open end into the flats on the arbor shaft.
- Insert the closed end of the smaller blade wrench over the blade nut. Holding both wrenches firmly, push the smaller wrench to the back of the machine. Make sure the blade nut is securely tightened. Do not overtighten.

NOTE: Arbor shaft has right-hand threads.

- Reinstall the throat plate.
- Check all clearances for free blade rotation.

After installation, adjust the rip scale indicator to account for the kerf and thickness of the blade. Refer to **To Set the Rip Fence Scale Indicator to the Blade** in the *Operation* section of this manual. In cutting operations, the scale will be set to the side of the blade where the cut will be measured and made.

ASSEMBLY

TO INSTALL THE ANTI-KICKBACK PAWLS AND BLADE GUARD

See Figures 17 - 19.

WARNING:

Always install the blade guard and anti-kickback pawls onto the riving knife in the “up” position to provide proper blade coverage. Installing the guarding components onto the riving knife in any other position will prevent them from working as designed, which could increase the risk of serious personal injury.

WARNING:

Replace dull or damaged anti-kickback pawls. Dull or damaged pawls may not stop a kickback increasing the risk of serious personal injury.

NOTE: Anti-kickback pawls should only be installed for through cuts.

- Unplug the saw.
- Raise the saw blade by turning the height/bevel adjusting handwheel clockwise.
- Place riving knife in “up” position.
- Reinstall the throat plate.

To install anti-kickback pawls:

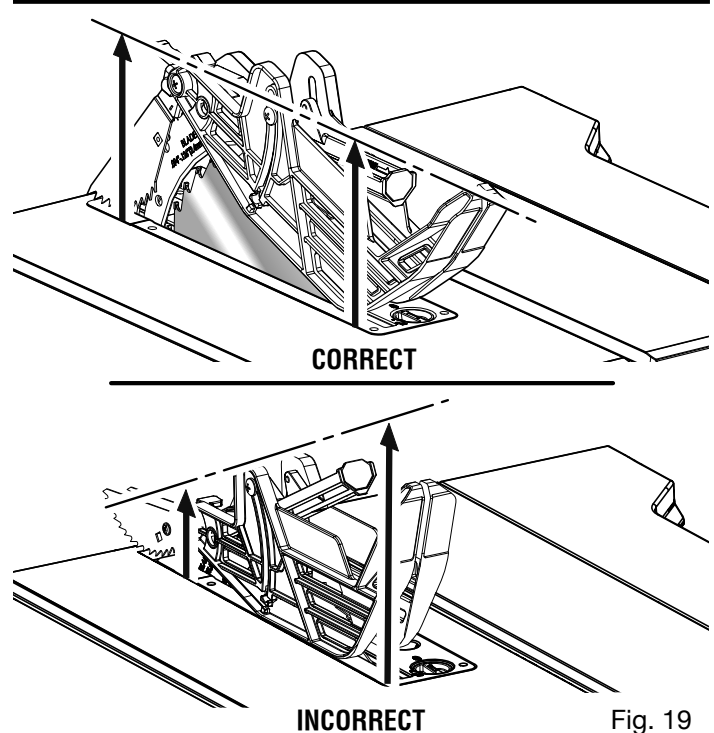
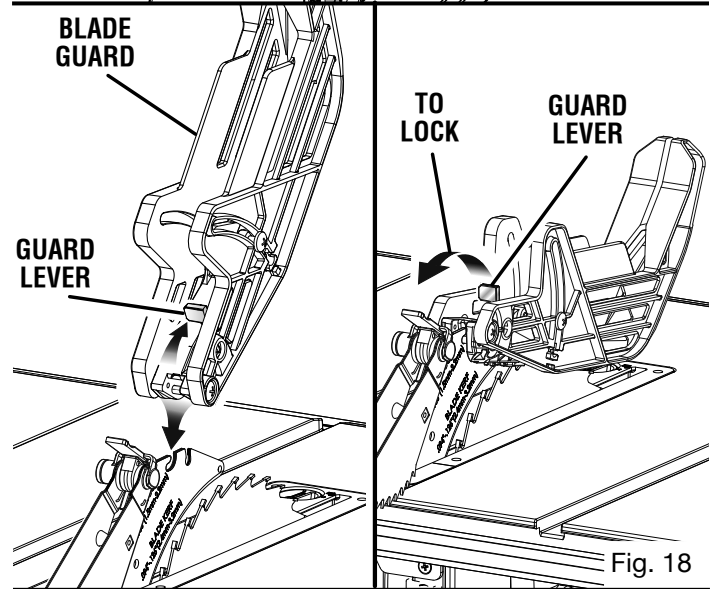
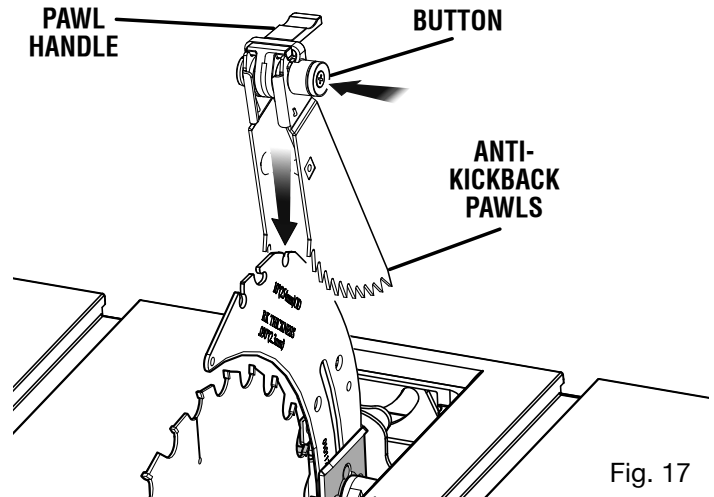
- Press and hold the button on the right side of the anti-kickback pawls.
- Align the slot in the pawls over the rear notch in the riving knife.
- Push the pawl handle down snapping them into place and release the button.

NOTE: Pull on the handle to make sure pawls are securely locked.

To install blade guard:

- Lift the guard lever up to unlock.
- With the front of the blade guard raised and the guard lever unlocked, lower the back of the guard into the middle slot of the riving knife. Push the front of the guard down until the bar inside the guard is **parallel to the table** (see figure 19). If the bar is not parallel to the table, the riving knife is not in the “up” position.
- Lock the guard in place by pushing the lever down.
- The blade guard side barriers may be lifted, then positioned out of the way without being removed for easier measurement.

NOTE: Blade alignment can be adjusted for different kerf widths. Refer to: **To Check and Align the Riving Knife and Saw Blade**. Check the blade guard assembly for clearances and free movement.



ASSEMBLY

TO CHECK AND ALIGN THE RIVING KNIFE AND SAW BLADE

See Figures 20 - 21.

To check alignment of the riving knife:

- Unplug the saw.
- Raise the saw blade by turning the height/bevel adjusting handwheel clockwise.
- Adjust the bevel angle to 0° and lock the bevel locking lever.
- Remove the anti-kickback pawls and blade guard assembly.
- To check horizontal alignment, place a framing square or straight edge against both the body of the saw blade and the riving knife. The framing square should contact both the blade body and riving knife evenly with no gaps. Check the alignment with both sides of the blade body.
- **NOTE:** The kerf or width of each tooth is wider than the blade body. When the riving knife is properly aligned, it will be centered on the kerf width.
- To check vertical alignment, place a framing square beside the riving knife. The edge of the square and the riving knife should be parallel.

If the riving knife is out of alignment with the saw blade, adjustment is needed. The riving knife must be in alignment front to back (horizontally) and top to bottom (vertically).

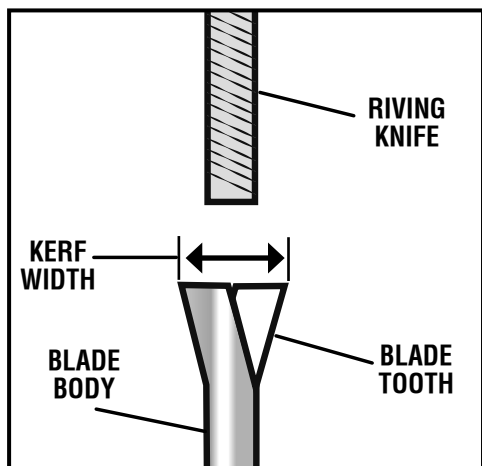
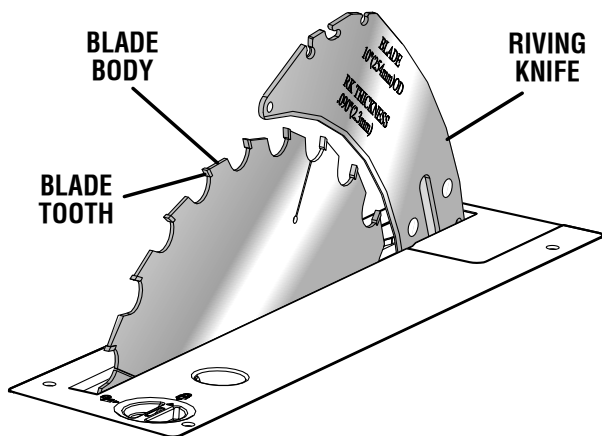


Fig. 20

To adjust (horizontally and vertically):

- Remove the anti-kickback pawls, blade guard assembly, and throat plate.
- To make horizontal adjustments - Use a 5 mm hex key to loosen the horizontal adjustment screws holding the mounting bracket. Reposition the riving knife left or right. Tighten horizontal adjustment screws and check alignment. Repeat as needed.
- To make vertical adjustments - Loosen the horizontal adjustment screws 1/4 turn. Use a 2.5 mm hex key to slowly turn the vertical adjustment screws until the riving knife is aligned with the blade. Tighten horizontal adjustment screws and check alignment. Repeat as needed.
- Replace the anti-kickback pawls, blade guard assembly, and throat plate.

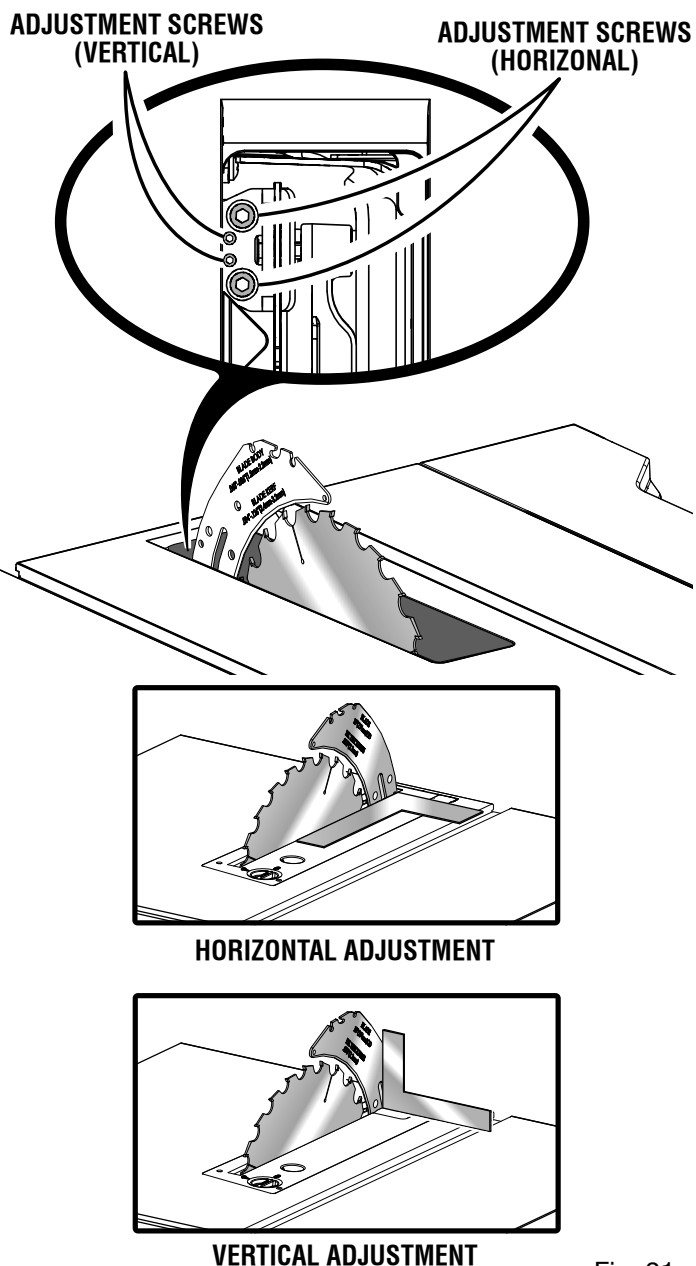


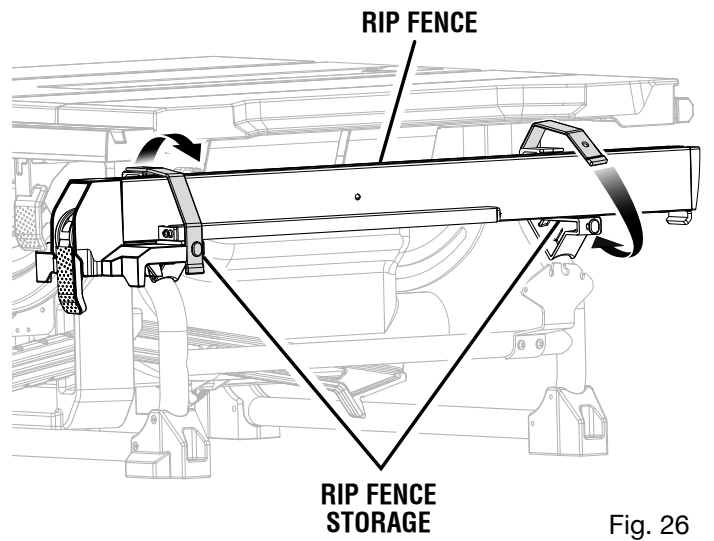
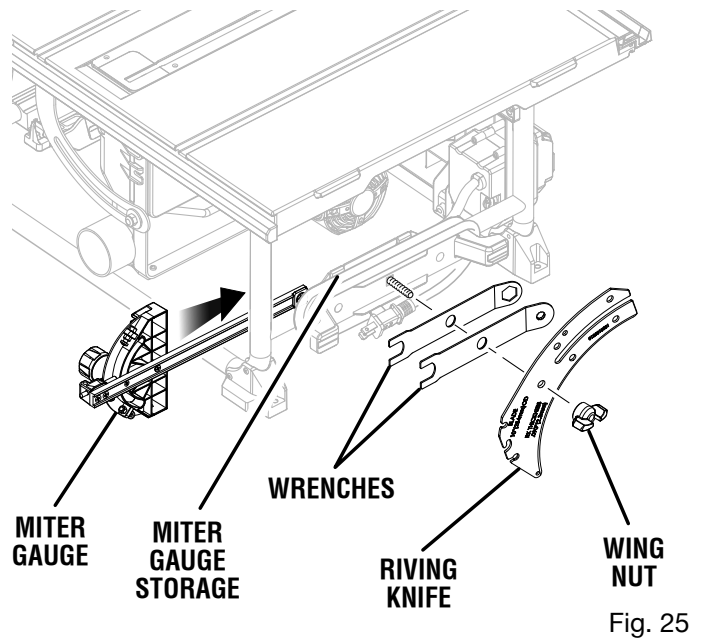
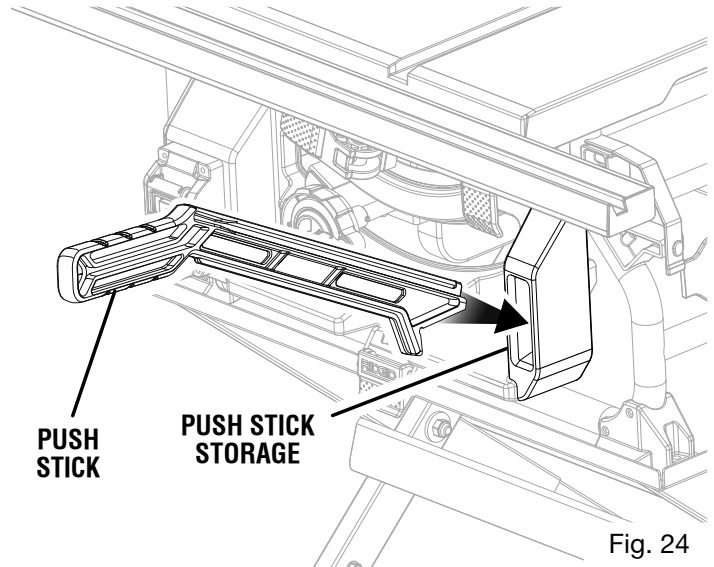
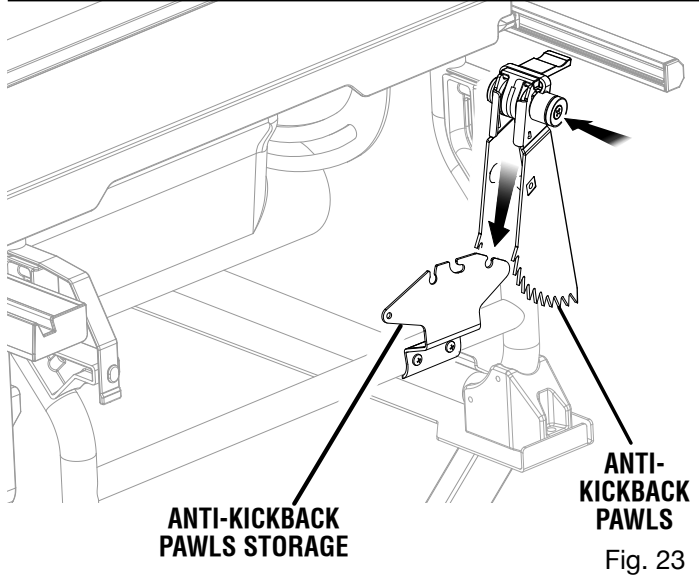
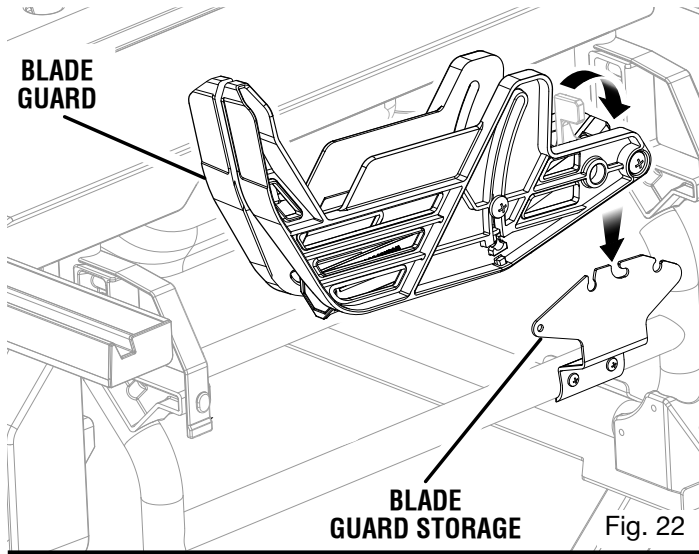
Fig. 21

ASSEMBLY

TO STORE THE TABLE SAW ACCESSORIES

See Figures 22 - 26.

When not in use the rip fence, riving knife, wrenches, blade guard, miter gauge, anti-kickback pawls, and push stick may be stored beneath the saw table.



OPERATION

WARNING:

Do not allow familiarity with tools to make you careless. Remember that a careless fraction of a second is sufficient to inflict serious injury.

WARNING:

Always wear eye protection with side shields marked to comply with ANSI Z87.1. Failure to do so could result in objects being thrown into your eyes, resulting in possible serious injury.

WARNING:

Do not use any attachments or accessories not recommended by the manufacturer of this tool. The use of attachments or accessories not recommended can result in serious personal injury.

WARNING:

Although many of the illustrations in this manual are shown with the blade guard removed for clarity, do not operate the saw without the blade guard unless specifically instructed to do so.

WARNING:

The table saw must be mounted to a firm supporting surface, such as a workbench or leg stand that positions the saw at waist height. Many illustrations in this manual are shown with the saw unmounted for clarity.

APPLICATIONS

You may use this tool for the purposes listed below:

- Straight line cutting operations such as cross cutting, ripping, mitering, beveling, and compound cutting
- Dado or molding cuts with optional accessories
- Cabinet making and woodworking

NOTE: This table saw is designed to cut wood and wood composition products only.

BASIC OPERATION OF THE TABLE SAW

To reduce the risk of electric shock, this tool has a polarized plug (one blade is wider than the other). This plug will fit in a polarized outlet only one way. If the plug does not fit fully in the outlet, reverse the plug. If it still does not fit, contact a qualified electrician to install the proper outlet. Do not change the plug in any way. Refer to the *Electrical* section in this manual.

CAUSES OF KICKBACK

Kickback can occur when the blade stalls or binds, kicking the workpiece back toward you with great force and speed. If your hands are near the saw blade, they may be jerked loose from the workpiece and may contact the blade. Obviously, kickback can cause serious injury, and it is well worth using precautions to avoid the risks.

Kickback can be caused by any action that pinches the blade in the wood, such as the following:

- Making a cut with incorrect blade depth
- Sawing into knots or nails in the workpiece
- Twisting the wood while making a cut
- Failing to support work
- Forcing a cut
- Cutting warped or wet lumber
- Using the wrong blade for the type of cut
- Not following correct operating procedures
- Misusing the saw
- Failing to use the anti-kickback pawls
- Cutting with a dull, gummed-up, or improperly set blade

AVOIDING KICKBACK

- Always use the correct blade depth setting. The top of the blade teeth should clear the workpiece by 1/8 in. to 1/4 in.
- Inspect the work for knots or nails before beginning a cut. Knock out any loose knots with a hammer. Never saw into a loose knot or nail.
- Always use the rip fence when rip cutting. Use the miter gauge when cross cutting. This helps prevent twisting the wood in the cut.
- Always use clean, sharp, and properly-set blades. Never make cuts with dull blades.
- To avoid pinching the blade, support the work properly before beginning a cut.
- When making a cut, use steady, even pressure. Never force cuts. Do not release the workpiece until you have pushed it completely past the blade.
- Do not cut wet or warped lumber. The workpiece must have a straight edge for it to be guided along the rip fence.
- Use extra caution when cutting some prefinished or composition wood products as the anti-kickback pawls may not always be effective.
- Always guide your workpiece with both hands or with push sticks and/or push blocks. Keep your body in a balanced position to be ready to resist kickback should it occur. Never stand directly in line with the blade.
- Use of a featherboard will help hold the workpiece securely against the saw table or fence.

OPERATION

- Clean the saw, blade guard, under the throat plate, and any areas where sawdust or scrap workpieces may gather.
- Keep blade guard, riving knife and anti-kickback pawls in place and proper operation. The riving knife must be in alignment with the blade and the pawls must stop a kickback once it has started. Check their operation before ripping.
- Maintain the rip fence parallel with the saw blade.
- When ripping, apply the feed force to the section of the workpiece between the blade and rip fence. Use a push stick and/or push block when appropriate.
- Use the right type of blade for the cut being made.
- Always use the riving knife for every operation where it is allowed. The use of this device will greatly reduce the risk of kickback.

CUTTING AIDS

See Figures 27 - 28.

Push sticks are devices that may be used for pushing a workpiece through the blade in any rip cut. When making non-through cuts or ripping narrow stock, always use a push stick, push block, and/or featherboard so your hands do not come within 3 inches of the saw blade. They can be made in various sizes and shapes from scrap wood and used in a specific project. The stick must be narrower than the workpiece, with a 90° notch in one end and shaped for gripping on the other end.

A push block has a handle fastened by recessed screws from the underside or secured with wood glue. Use push blocks for narrow cuts and all non-through cuts. A cutting jig or similar cutting aid may be necessary to ensure the push block does not interfere with the cut.

CAUTION:

Be sure the screws in a push block are recessed to avoid damaging the saw or workpiece.

Push blocks and push sticks like the ones shown in figure 27 can be purchased locally and a push stick is included with your saw. To make additional cutting aids, follow the instructions below.

To make a push stick:

The material, shape and size of a push stick can vary. For this project, use a piece of solid wood that is 18 in. long, 1-1/2 in. wide, and 3/4 in. thick.

- If desired, cut a curve into one end of the workpiece to serve as a grip.
- Cut a notch into the workpiece on the opposite end. During use, this end will contact the edge of the material being cut.

To make a push block:

The material, shape and size of a push block can vary. For this project, use two pieces of solid wood to make the base and handle. The base is 5 in. long, 3 in. wide, and 3/8 in. thick. The handle should be 5 in. long, 1 in. wide, and 3/4 in. thick.

- Mark the center of the base.
- Attach the handle to the center of the base using recessed screws or wood glue.

NOTE: To prevent the push block from slipping across the workpiece, you can attach a piece of sandpaper or a non-slip rubber pad to the bottom of the base.

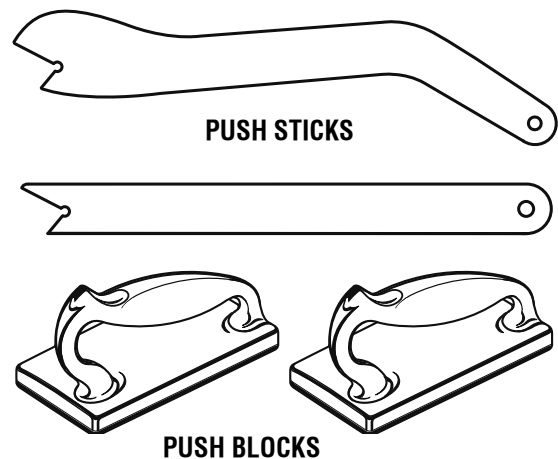


Fig. 27

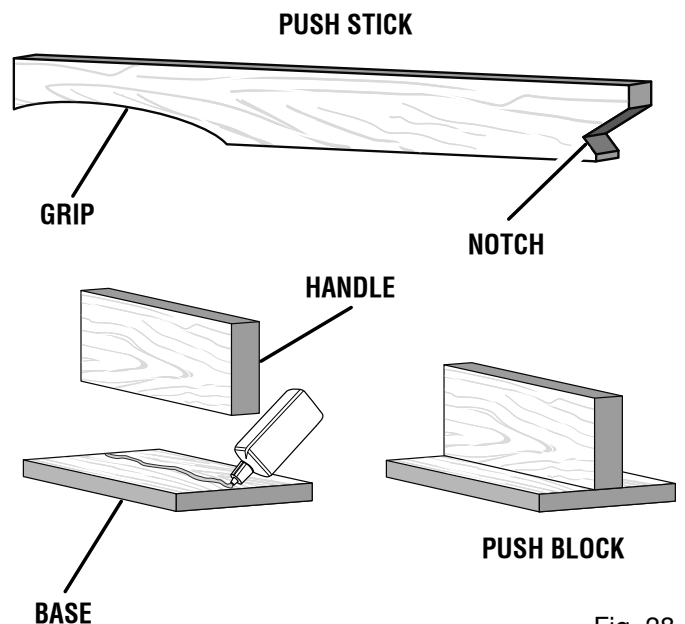


Fig. 28

OPERATION

WORKPIECE SUPPORTS

See Figure 29.

When cutting with your table saw, make sure that the workpiece you are cutting is properly supported. Properly supporting the workpiece throughout the cutting process not only improves the accuracy of the cut but also makes the cutting process safer for the user. This support could be required on the infeed side, the overhang side, or the outfeed side of the table. Improper support of the workpiece can cause the workpiece to move in unexpected ways during the process of the cut startling the user of the saw. It may also cause the user to apply abnormal forces to the workpiece to control it during the cutting process. This tipping motion of the workpiece will happen if approximately half of the workpiece overhangs any edge of the saw table.

Appropriate support can be easy to achieve. Commercially available support stands are available, or any surface that is the same height as the work surface of the saw would be acceptable. An operation that is practiced before actually making the cut will inform the user that supports may be necessary for safely completing the saw cut.

AUXILIARY FENCE

An auxiliary fence is a device used to close the gap between the rip fence and the saw table. Always make and use an auxiliary fence when ripping material 1/8 in. or thinner.

HOW TO MAKE AND ATTACH AN AUXILIARY FENCE (FOR RIP CUTTING THIN WORKPIECE)

See Figure 30.

An auxiliary fence may be made for the saw by cutting a piece of wood to 21 in. long, at least 3/4 in. thick, and at least 3-1/2 in. tall.

NOTE: The height and thickness of the auxiliary fence can be increased depending on the size and type of workpiece you are attempting to cut. Use taller auxiliary fences when cutting workpieces that are taller than the height of the rip fence.

To attach the auxiliary fence to the rip fence:

- Rotate the low fence so it will face away from the auxiliary fence, refer to **To Use the Rip Fence** later in this section.
- Place the wood against the rip fence and resting firmly on the saw table.
- From the back side of the rip fence, secure the wood to the fence using wood screws.

NOTE: Make sure the screws you use to attach the auxiliary fence do not pass through the front face of the fence.

HOW TO MAKE A JIG (FOR RIP CUTTING NARROW WORKPIECE)

See Figure 31.

If ripping a narrow workpiece places the hands too close to the blade, it will be necessary to make and use a jig.

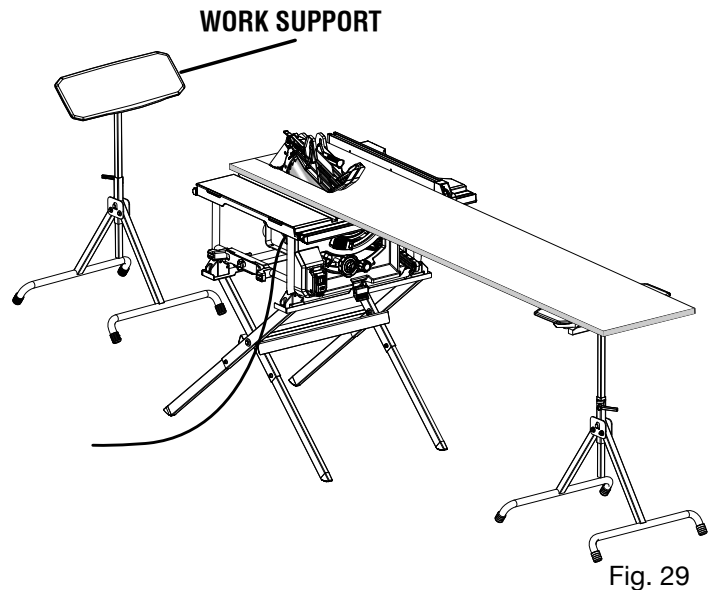


Fig. 29

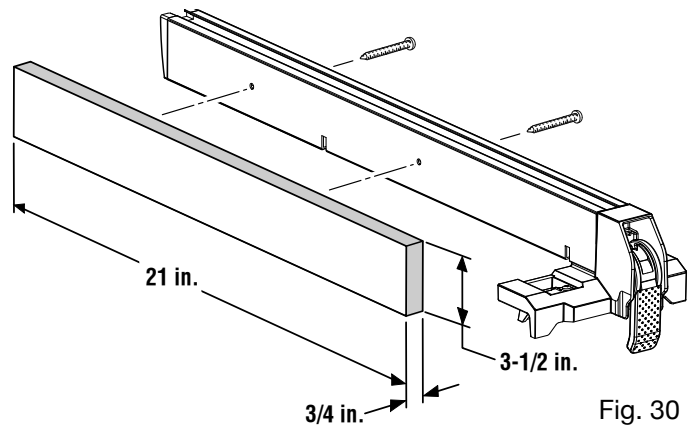


Fig. 30

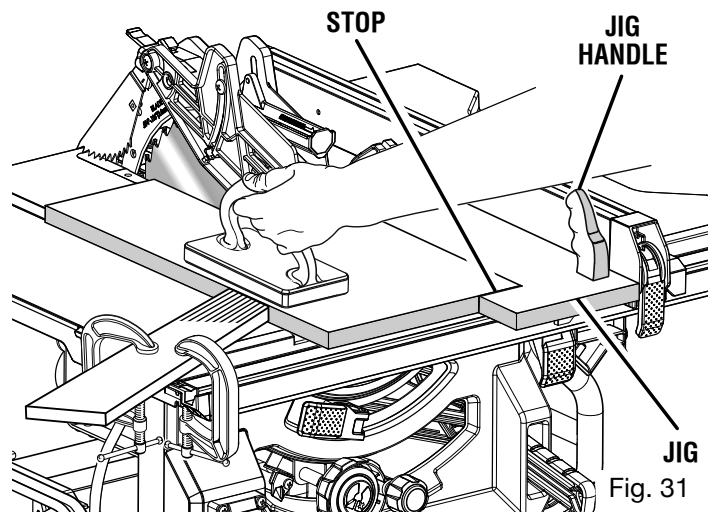


Fig. 31

To make a jig:

- Attach a handle to a long, straight piece of wood and secure from the underside using recessed screws.
- Cut an L-shaped stop in the side of the jig.

OPERATION

To use a jig:

- Position the workpiece flat on the table with the edge flush against the jig and against the stop.
- Holding the jig handle and using a push block and/or push stick make the rip cut, see **Making a Rip Cut** later in this section.

FEATHERBOARD

A featherboard is a device used to help control the workpiece by holding it securely against the table or fence. Featherboards are especially useful when ripping small workpieces and for completing non-through cuts. The end is angled with a number of short kerfs to give a friction hold on the workpiece and locked in place on the table with a C-clamp. Test that it can resist kickback.

WARNING:

Place the featherboard against the uncut portion of the workpiece to avoid kickback that could cause serious personal injury.

Commercially available featherboards can be purchased for a reasonable price. Many of these featherboards mount inside the miter slots of the saw and are convenient to mount and use on your table saw. To make a featherboard, follow the instructions in the next section.

HOW TO MAKE A FEATHERBOARD

See Figure 32.

The featherboard is an excellent project for the saw. Select a solid piece of lumber approximately 3/4 in. thick, 2-1/2 in. wide and 12 in. long. Mark the center of the width on one end of the stock. Miter the width to 70° (see page 37 for information on miter cuts). Mark the board from the widest point at four inches.

Prepare the saw for ripping as discussed on page 35. Set the rip fence to allow approximately a 1/4 in. “finger” to be cut in the stock. Feed the stock only to the mark previously made at 4 in. Turn the saw **OFF** and allow the blade to completely

stop rotating before removing the stock. Reset the rip fence and cut spaced rips into the workpiece to allow approximately 1/4 in. fingers and 1/8 in. spaces between the fingers.

HOW TO MOUNT A FEATHERBOARD

See Figure 33.

Completely lower the saw blade. Position the rip fence to the desired adjustment for the cut to be performed and lock the rip fence. Place the workpiece against the fence and over the saw blade area. Adjust the featherboard to apply resistance to the workpiece just forward of the blade. Attach C-clamps to secure the featherboard to the edge of the saw table.

WARNING:

The featherboard must be installed in front of the blade. **Do not** locate the featherboard to the rear of the blade. Kickback can result from the featherboard pinching the workpiece and binding the blade in the saw kerf if positioned improperly. Failure to heed this warning can result in serious personal injury.

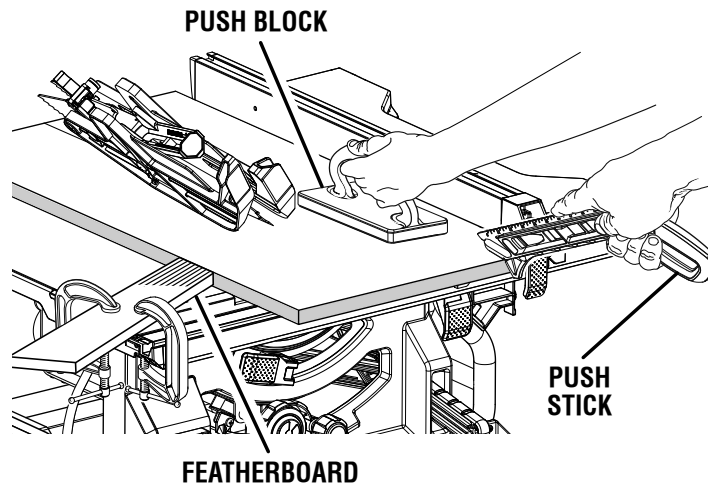


Fig. 33

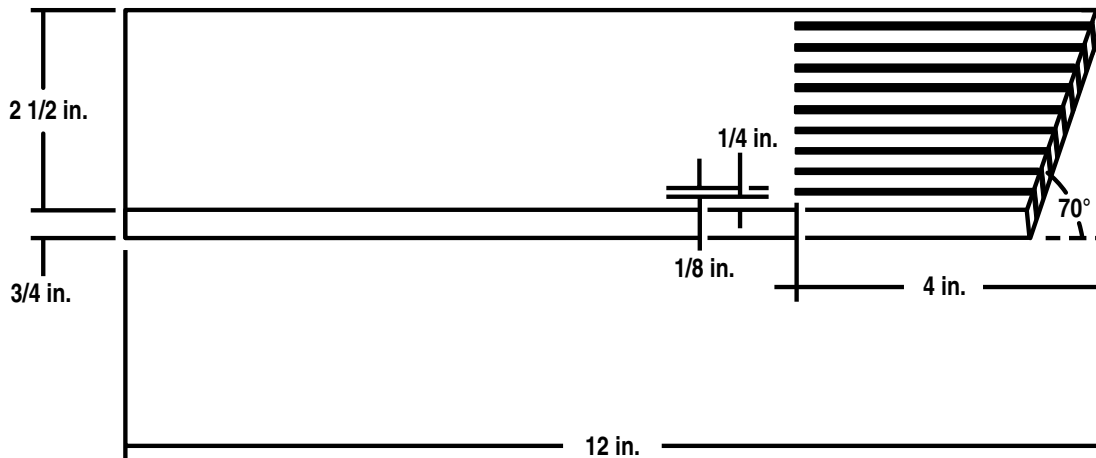


Fig. 32

OPERATION

TYPES OF CUTS

See Figure 34.

There are six basic cuts: 1) the cross cut, 2) the rip cut, 3) the miter cut, 4) the bevel cross cut, 5) the bevel rip cut, and 6) the compound (bevel) miter cut. All other cuts are combinations of these basic six. Operating procedures for making each kind of cut are given later in this section.

WARNING:

Always make sure the blade guard and anti-kickback pawls are in place and working properly when making these cuts to avoid possible injury.

Cross cuts are straight 90° cuts made across the grain of the workpiece. The wood is fed into the cut at a 90° angle to the blade, and the blade is vertical.

Rip cuts are made with the grain of the wood. To avoid kickback while making a rip cut, make sure one side of the wood rides firmly against the rip fence.

Miter cuts are made with the wood at any angle to the blade other than 90°. The blade is vertical. Miter cuts tend to “creep” during cutting. This can be controlled by holding the workpiece securely against the miter gauge.

WARNING:

Always use a push stick with small pieces of wood, and also to finish the cut when ripping a long narrow piece of wood, to prevent your hands from getting close to the blade.

Bevel cuts are made with an angled blade. Bevel cross cuts are across the wood grain, and bevel rip cuts are with the grain. The rip fence must always be on the right side of the blade for bevel rip cuts.

Compound (or bevel) miter cuts are made with an angled blade on wood that is angled to the blade. Be thoroughly familiar with making cross cuts, rip cuts, bevel cuts, and miter cuts before trying a compound miter cut.

CUTTING TIPS

Dado and rabbet cuts are non-through cuts which can be either rip cuts or cross cuts. Carefully read and understand all sections of this operator's manual before attempting any operation.

WARNING:

Do not use blades rated less than the speed of this tool. Failure to heed this warning could result in personal injury.

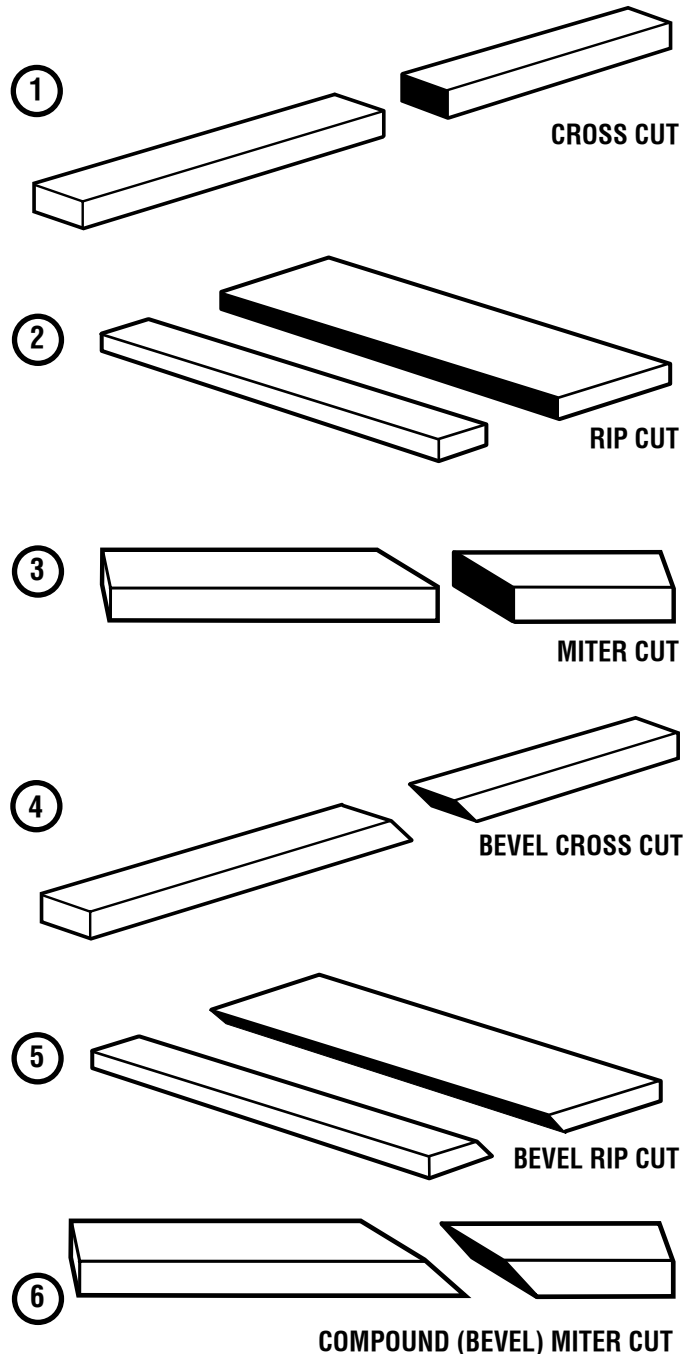


Fig. 34

- The kerf (the cut made by the blade in the wood) will be wider than the blade to avoid overheating or binding. Make allowance for the kerf when measuring wood.
- Make sure the kerf is made on the waste side of the measuring line.
- Cut the wood with the finish side up.
- Knock out any loose knots with a hammer before making the cut.
- Always provide proper support for the wood as it comes out of the saw.

OPERATION

TO CHANGE BLADE DEPTH

See Figure 35 - 36.

The blade depth should be set so the outer points of the blade are higher than the workpiece by approximately 1/8 in. to 1/4 in. but the lowest points (gullets) are below the top surface.

- Raise the blade by turning the height/bevel adjusting handwheel clockwise.
- Lower the blade by turning the handwheel counterclockwise.

TO CHANGE BLADE ANGLE (BEVEL)

See Figure 36.

NOTE: A 90° cut has a 0° bevel and a 45° cut has a 45° bevel.

- Unplug the saw.
- Unlock the bevel locking lever by pulling the lever to the right.
- Adjust the bevel angle by moving the height/bevel adjusting handwheel to the right to increase the angle of the blade or by moving it to the left to decrease the angle of the blade.
- Lock the bevel locking lever by pushing the lever to the left.

TO ADJUST THE BEVEL INDICATOR

See Figure 37.

If the bevel indicator is not at zero when the saw blade is at 0°, adjust the indicator by loosening the screw and setting it at 0° on the bevel scale. Retighten the screw.

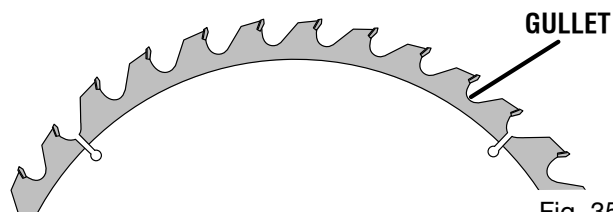


Fig. 35

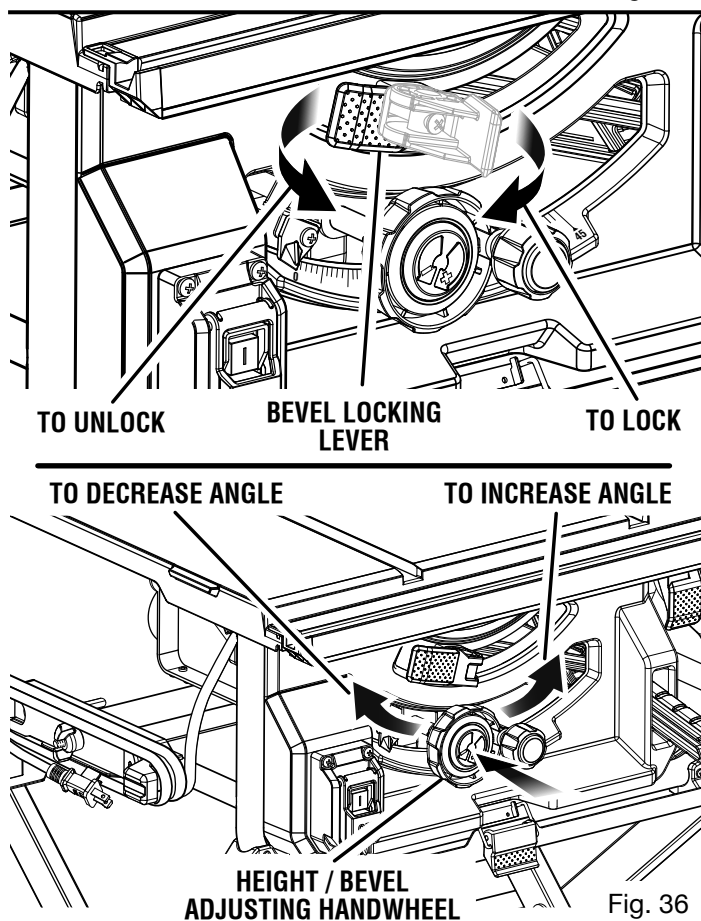


Fig. 36

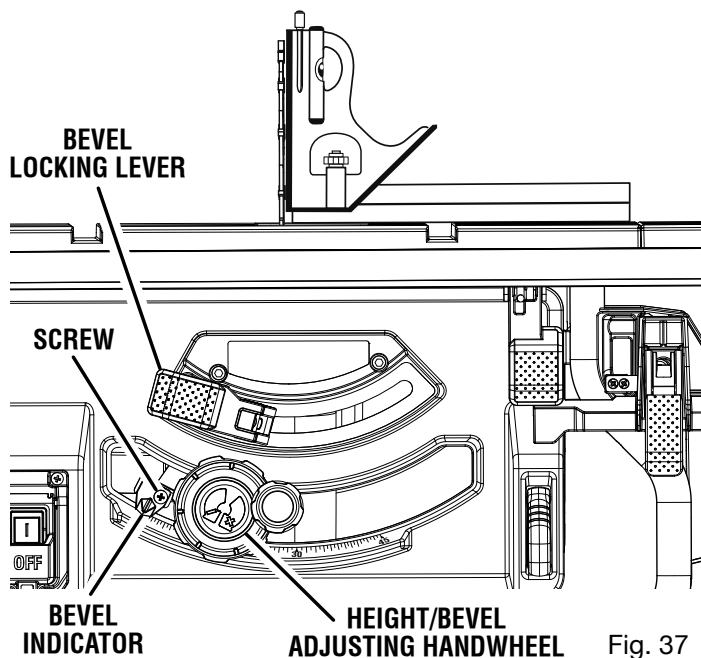


Fig. 37

OPERATION

TO USE THE RIP FENCE

See Figure 38 - 39.

WARNING:

To reduce the risk of injury, always make sure the rip fence is parallel to the blade before beginning any operation.

NOTE: The rip fence included with your saw has an adjustable low fence that can be positioned to face towards or face away from the blade. The low fence should face away from the blade when cutting material greater than 3/4 inches thick. The low fence should only face the blade when cutting narrow material that is 3/4 inches thick or less. **NEVER** support the weight of the workpiece on the low fence while making a cut.

- Loosen the rip fence by lifting the locking lever.
- Place the rear lip on the rear of the saw table and pull slightly toward the front of the unit.
- Lower the front end of the rip fence onto the guide surfaces on top of the front rail.
- Check for smooth gliding action.
- Position the rip fence the desired distance from the blade.
- With the rip fence flat on the saw table, push the fence towards the front rail to align the fence to the blade.
- Push the locking lever down to align and secure the fence. When securely locked, the locking lever should point downward.

NOTE: Ensure the locking lever secures the rip fence in place. If adjustments are needed, see **To Check The Tightness Of The Rip Fence Locking Lever** in the *Adjustment* section of this manual.

NOTE: If the rip fence is not parallel to the blade, adjustments are needed. Refer to: **To Check the Alignment of the Rip Fence to the Blade** in the *Adjustment* section of this manual.

TO SET THE RIP FENCE SCALE INDICATOR TO THE BLADE

See Figure 40.

Use the indicator on the rip fence to position the fence along the scale on the front rail.

NOTE: The anti-kickback pawls and blade guard assembly must be removed to perform this adjustment. Reinstall the blade guard assembly when the adjustment is complete.

Begin with the blade at a zero angle (straight up).

- Unplug the saw.
- Loosen the rip fence by lifting the locking lever.
- Using a framing square, set the rip fence 2 in. from the blade tip edge, then relock the lever.

NOTE: Position the low fence so that it faces away from the blade.

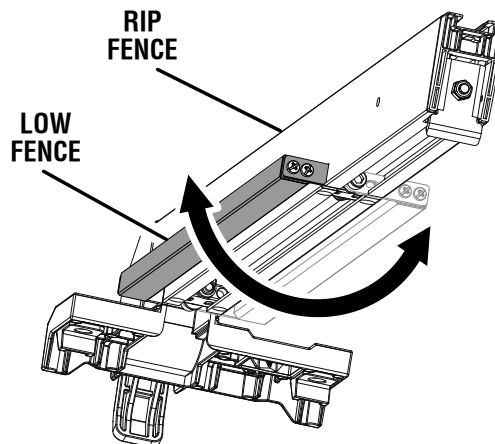


Fig. 38

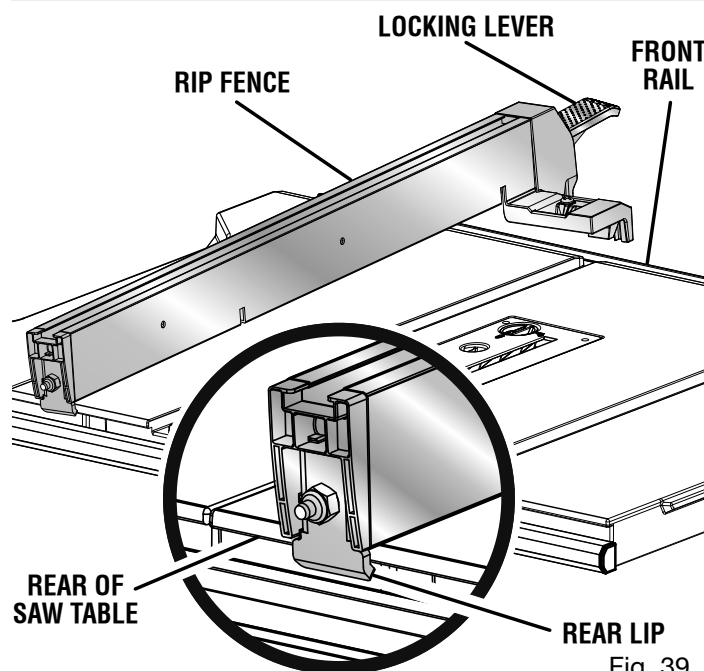


Fig. 39

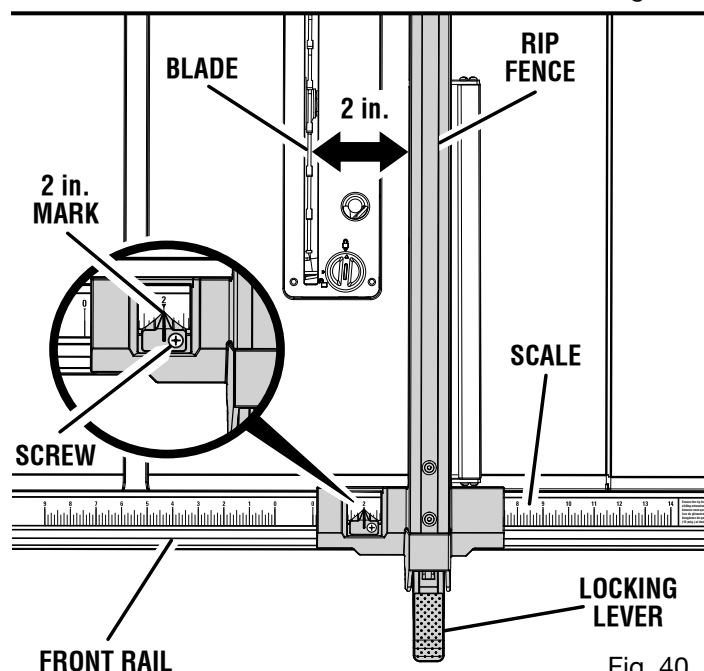


Fig. 40

OPERATION

- Loosen the screw on the scale indicator and align with the 2 in. mark as shown.
- Tighten the screw and check the dimension and the rip fence.

NOTE: When using the low fence the rip fence scale indicator will be incorrect. Always use a tape measure to set the fence to the correct position when using the low fence.

TO USE THE MITER GAUGE

See Figure 41.

The miter gauge provides greater accuracy in angled cuts. For very close tolerances, test cuts are recommended.

There are two miter gauge channels, one on either side of the blade. When making a 90° cross cut, you can use either miter gauge channel. When making a beveled cross cut (the blade tilted in relation to the table) the miter gauge should be located in the slot on the right so that the blade is tilted away from the miter gauge and your hands.

The miter gauge can be turned 60° to the right or left. Positive stops at 0° and 45° can be located by pushing in the stop pin.

- Slide the miter gauge in the miter gauge slot.
- Loosen the lock knob by turning it counterclockwise.
- Pull out the stop pin and rotate the gauge until the desired angle is reached on the scale.
- Retighten the lock knob by turning it clockwise.

TO USE THE SLIDING TABLE EXTENSION

See Figure 42.

Increase the length of the saw table by using the table extension.

- Lock the rip fence on the sliding table extension at 13 in.
NOTE: The low fence should face away from the blade when the table is extended.

WARNING:

The rip fence must be locked in the 13 in. position to ensure the accuracy of the secondary scale measurement and to provide proper support of the workpiece when using the table in the extended position. Failure to position the rip fence correctly will cause inaccurate workpiece measurements and could result in serious personal injury.

- Unlock the sliding table extension by lifting the table extension lock lever.

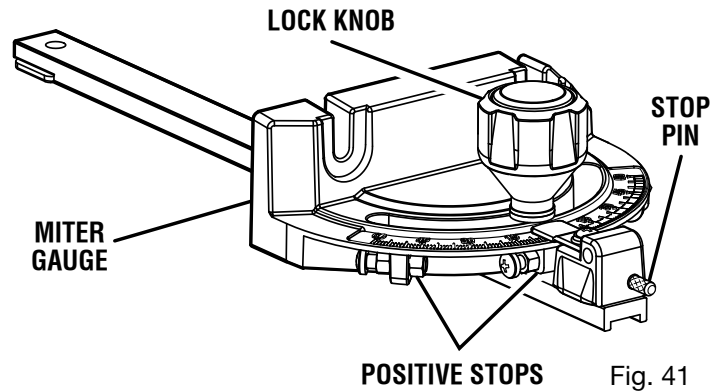


Fig. 41

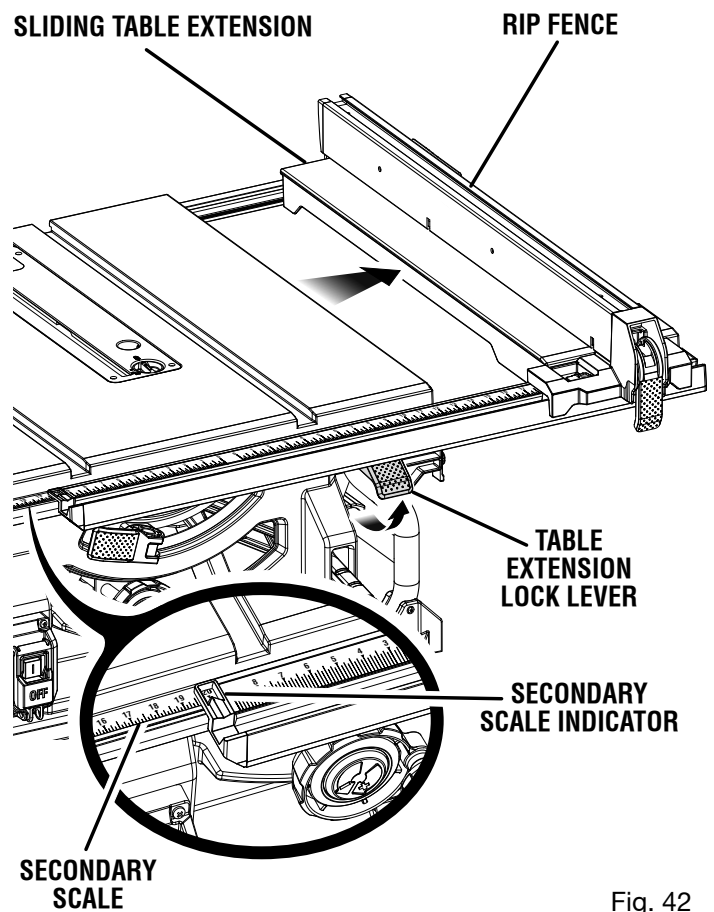


Fig. 42

- Slide the table extension to the desired width.
NOTE: Use the secondary scale on the front rail when a specific width is desired.
- Once the extension table is set to the desired width, relock the lever by pushing the lever back towards the saw base.

OPERATION

ADJUSTING THE BLADE PARALLEL TO THE MITER GAUGE GROOVE (REMOVING HEEL)

See Figures 43 - 45.

WARNING:

The blade must be made parallel to the miter gauge groove so the wood does not bind resulting in kickback. Failure to do so could result in serious personal injury.

Do not loosen any bolts for this adjustment until you have checked with a square and made test cuts to be sure adjustments are necessary. Once the bolts are loosened, these items must be reset.

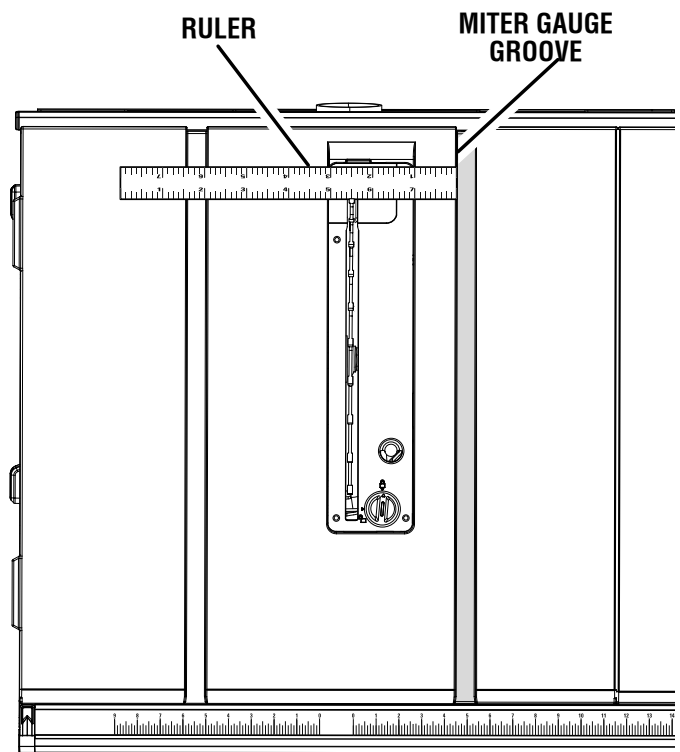
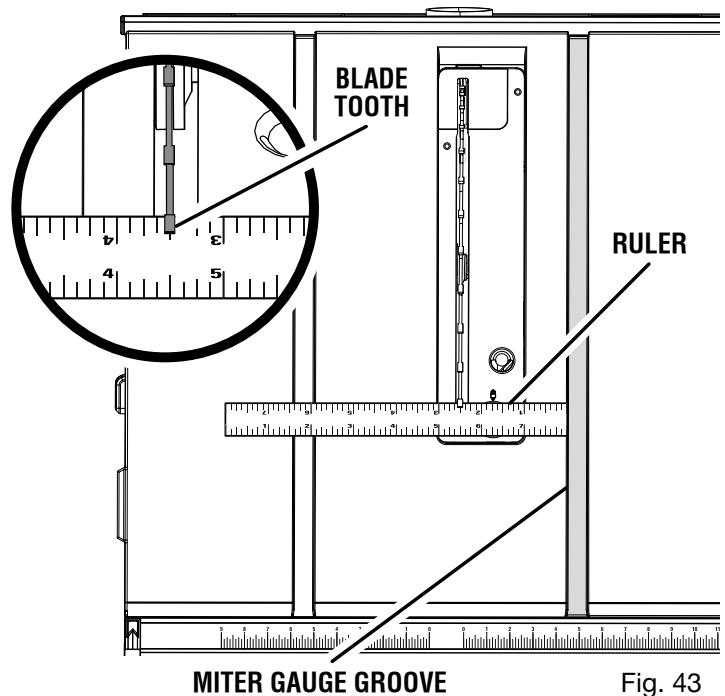
- Unplug the saw.
- Remove the blade guard, riving knife, and anti-kickback pawls. Raise the blade by turning the height/bevel adjusting handwheel.

NOTE: For details on removing and reinstalling the riving knife, see **Cleaning the Riving Knife Lock Lever Plates** in the *Maintenance* section of this manual.

- Mark beside one of the blade teeth at the front of the blade. Using a ruler, measure the distance from the inside face of the blade tooth to the left edge of the right miter gauge groove.

NOTE: For greater accuracy, place the marked blade tooth on top of the ruler.

- Turn the blade so the marked tooth is at the back.
- Move the ruler to the rear and again measure the distance from the inside face of the blade tooth to the left edge of the right miter gauge groove. If the distances are the same, the blade and the miter gauge groove are parallel.
- Replace blade guard, riving knife, and anti-kickback pawls.



OPERATION

If the distances are different:

- Remove the blade guard, riving knife, and anti-kickback pawls. Raise the blade by turning the height/bevel adjusting handwheel.
- Loosen the outer screws 1/2 turn; this allows the mechanism beneath the table to be shifted sideways.
NOTE: The screws are located at the rear of the saw under the top of the saw table.
- Turn the alignment screw left or right until the blade is parallel to the miter gauge groove.
- Tighten the outer screws. Check again for parallelism and continue to adjust if needed.
- Replace blade guard, riving knife, and anti-kickback pawls.

WARNING:

To reduce the risk of injury from kickback, align the rip fence to the blade following any blade adjustments. Always make sure the rip fence is parallel to the blade before beginning any operation.

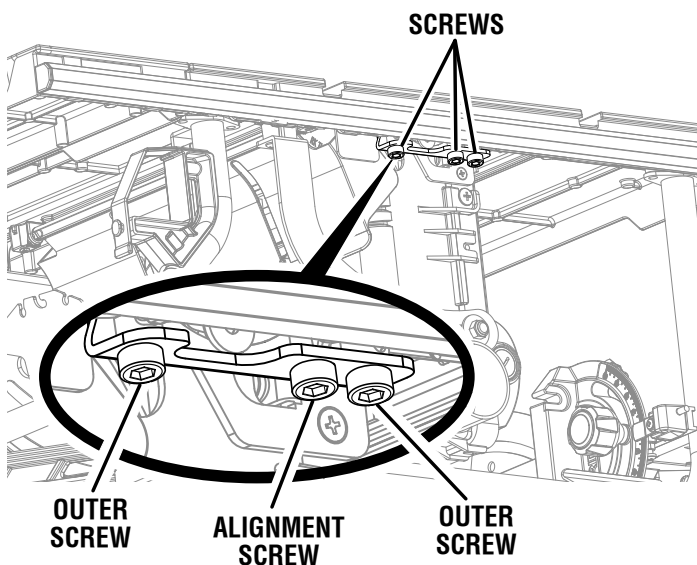


Fig. 45

MAKING CUTS

WARNING:

Before making any cuts, make sure that the table saw stand is on a firm level surface where there is plenty of room to handle and properly support the table saw and the workpiece. If a suitable location can not be found, then the saw should not be used. Operating the saw in a location that does not provide adequate space and stable footing for the table saw stand could create a tipping hazard which could result in serious personal injury.

This table saw can perform a variety of cuts that are not all mentioned in this manual. **DO NOT** attempt to make any cuts not covered here unless you are thoroughly familiar with the proper procedures and necessary accessories. Your local library has many books on table saw usage and specialized woodworking procedures for your reference.

The blade provided with your saw is a high-quality combination blade suitable for ripping and cross cut operations. Carefully check all setups and rotate the blade one full revolution to assure proper clearance before connecting saw to power source. Stand slightly to the side of the blade path to reduce the chance of injury should kickback occur.

WARNING:

Do not use blades rated less than the speed of this tool. Failure to heed this warning could result in personal injury.

Use the miter gauge when making cross, miter, bevel, and compound miter cuts. To secure the angle, lock the miter gauge in place by twisting the lock knob clockwise. Always tighten the lock knob securely in place before use.

During use the miter gauge may move slightly left or right inside the miter gauge groove. For greater accuracy, press the miter gauge against the left or right edge of the miter gauge groove when making cuts. Do not allow the gauge to go from one side to the other.

OPERATION

Always place the workpiece against the face of the miter gauge body when making cuts. To prevent the workpiece from moving, you can attach a piece of sandpaper to the miter gauge body face.

NOTE: It is recommended that you place the piece to be saved on the same side of the blade as the miter gauge, and that you make a test cut on scrap wood first.

MAKING A CROSS CUT

See Figures 46 - 48.

WARNING:

Make sure the blade guard assembly is installed and working properly to avoid serious possible injury.

WARNING:

Using the rip fence as a cutoff gauge when cross cutting will result in kickback which can cause serious personal injury.

- Remove the rip fence.
- Set the blade to the correct depth for the workpiece.
- Set the miter gauge to 0° and tighten the lock knob.
- Make sure the wood is clear of the blade before turning on the saw.
- Press the top button on the switch to turn the saw on.
NOTE: The switch cover does not have to be raised to operate the switch.
- Press the bottom button on the switch to turn the saw off.
NOTE: To prevent unauthorized use, install a padlock (not included) through the holes in the switch and cover as shown in figure 47.
- Let the blade build up to full speed before moving the workpiece into the blade.
- Hold the workpiece firmly with both hands on the miter gauge and feed the workpiece into the blade.
NOTE: The hand closest to the blade should be placed on the miter gauge lock knob and the hand farthest from the blade should be placed on the workpiece.
- When the cut is made, turn the saw off. Wait for the blade to come to a complete stop before removing the workpiece.

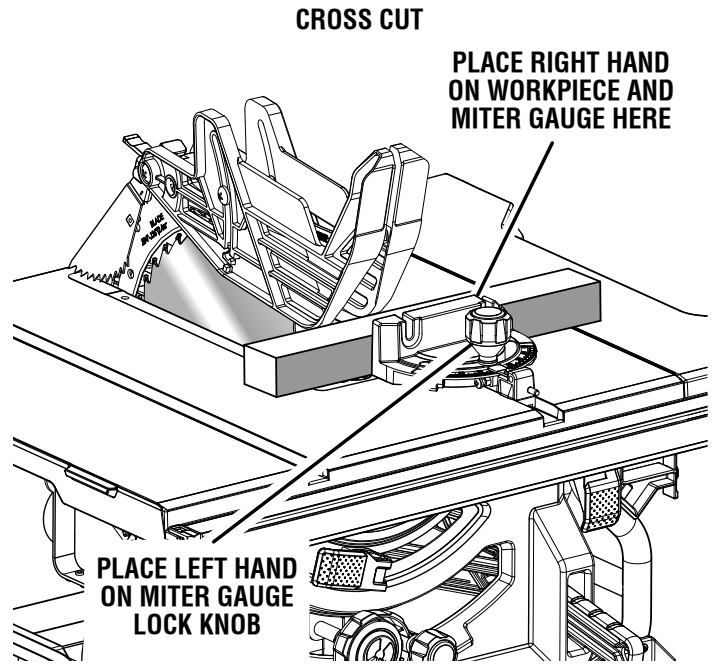
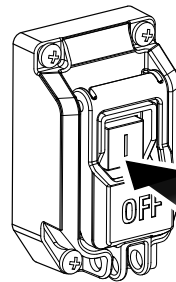
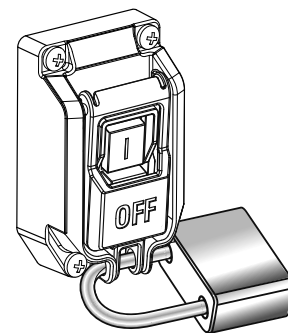
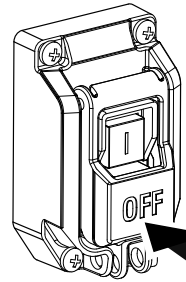


Fig. 46

SWITCH ON



SWITCH OFF



SWITCH IN LOCKED POSITION

Fig. 47

OPERATION

To make repetitive cross cuts:

A stop block can be used as a cut-off gauge to make repetitive cross cuts of the same length without having to mark the workpiece for each cut. The end of a stop block should always be in front of the blade. NEVER use the rip fence as a cut-off gauge.

- Remove the rip fence.
- Set the blade to the correct depth for the workpiece.
- Set the miter gauge to 0° and tighten the lock knob.
- Position a 3 in. block of wood at the desired distance from the blade to act as a cut-off gauge.
- Secure the stop block in place using a vice or a clamp.

WARNING:

When secured, the end of the stop block should be in front of the blade. Securing the stop block beyond the front of the blade will result in kick-back which can cause serious personal injury.

- Position the workpiece on the miter gauge with the edge flush against the stop block.
- When cutting a long or wide workpiece, place a support the same height as the table surface in front of the saw, behind the saw, and on the sides of the saw as needed.
- Turn the saw on.
- Hold the workpiece firmly with both hands on the miter gauge and feed the workpiece into the blade.

NOTE: The hand closest to the blade should be placed on the miter gauge lock knob and the hand farthest from the blade should be placed on the workpiece.

- When the cut is made, turn the saw off. Wait for the blade to come to a complete stop before removing the cut piece.
- Move the miter gauge back to the front of the saw and position the workpiece for the next cut.
- After the last cut, turn the saw off. Wait for the blade to come to a complete stop and remove the stop block.

MAKING A RIP CUT

See Figure 49 - 50.

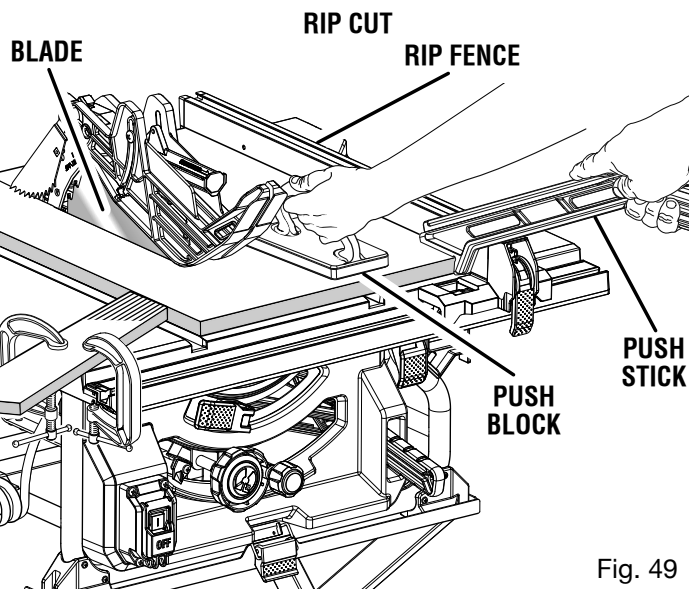
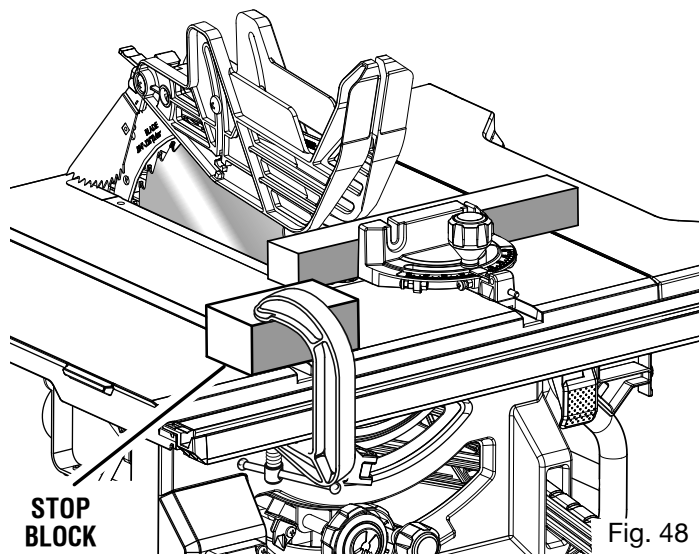
WARNING:

Make sure the blade guard assembly is installed and working properly to avoid serious possible injury.

WARNING:

Taper cuts must only be made with a special jig, which is commercially available. Do not attempt a freehand taper cut on this saw. Failure to follow these instructions could result in serious personal injury.

REPETITIVE CROSS CUT



- Set the blade to the correct depth for the workpiece.
- Move the low fence to the appropriate side of the rip fence and install the rip fence.

NOTE: The low fence should only face the blade when cutting narrow material that is 3/4 inches thick or less. Wider workpieces and workpieces thicker than 3/4 inches may be unstable and require additional hold downs to ensure stability during cutting.

- Position the rip fence the desired distance from the blade for the cut and securely lock the handle.
- When cutting a long or wide workpiece, place a support the same height as the table surface in front of the saw, behind the saw, and on the sides of the saw as needed.
- Install featherboard in the appropriate position for the cut being made.
- Make sure the wood is clear of the blade before turning on the saw.

OPERATION

- Turn the saw on.
- Position the workpiece flat on the table with the edge flush against the rip fence. Let the blade build up to full speed before feeding the workpiece into the blade.
- Using a push stick and/or push blocks, slowly feed the workpiece toward the blade. Stand slightly to the side of the workpiece as it contacts the blade to reduce the chance of injury should kickback occur.
- Once the blade has made contact with the workpiece, use the hand closest to the rip fence to guide it. Make sure the edge of the workpiece remains in solid contact with both the rip fence and the surface of the table. If ripping a narrow piece, use a push stick and/or push blocks to move the piece through the cut and past the blade.
- When the cut is made, turn the saw off. Wait for the blade to come to a complete stop before removing the workpiece.

To make rip cuts narrower than 2 inches:

If a narrow ripping jig is not used, the rip fence included with your saw has a low fence to allow narrow ripping operations.

NOTE: For cuts narrower than 2 inches, measure the distance from the blade to the fence using a tape measure. Do not use the rip scale when using the low fence.

WARNING:

When making narrow rip cuts always ensure that the piece being cut cannot fall into the throat plate of the saw. If this piece falls into the throat plate it may damage the under table guarding and create a hazardous condition to the operator.

- Move the low fence so it faces the blade and install the rip fence.

NOTE: The rip fence included with your saw has an adjustable low fence that can be positioned to face towards or face away from the blade. The low fence should face away from the blade when cutting material greater than 3/4 inches thick. The low fence should only face the blade when cutting narrow material that is 3/4 inches thick or less.

- Lift the blade guard's left or right side barrier and lower it onto either the workpiece or the narrow rip fence to ensure coverage of the cutting zone during this operation.

- Secure the rip fence.
- Position the workpiece flat on the table with the edge flush against the low fence.
- Using a push block and/or push stick make the rip cut, see **Making a Rip Cut** earlier in this section.

NOTE: This technique is for making narrow rip cuts on workpieces with a thickness of 3/4 inches or less. To make narrow rip cuts on thicker material use a narrow ripping jig, refer to **How To Make A Jig (For Rip Cutting Narrow Workpiece)** earlier in this section.

NOTE: The cutting operation illustrated in figure 50 will result in the saved piece being between the rip fence and the right side of the blade. Alternatively, you could place the rip fence and the wide portion of the workpiece on the right side of the blade, which would result in the saved piece being on the left.

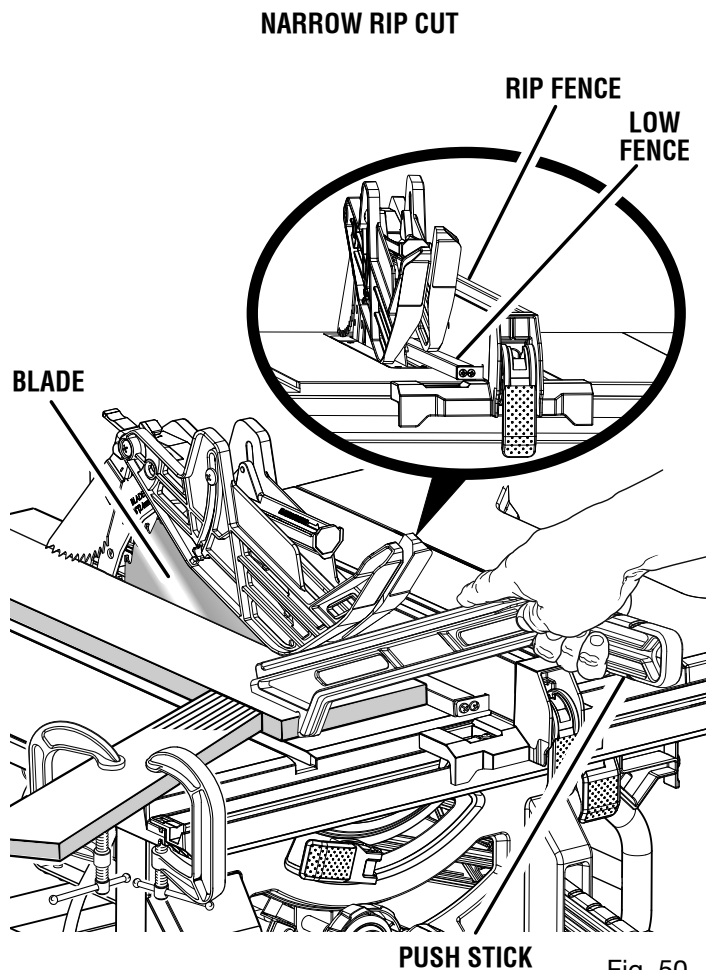


Fig. 50

OPERATION

MAKING A MITER CUT

See Figure 51.

WARNING:

Make sure the blade guard assembly is installed and working properly to avoid possible serious injury.

- Set the blade to the correct depth for the workpiece.
- Remove the rip fence.
- Set the miter gauge to the desired angle and tighten the lock knob.
- Make sure the wood is clear of the blade before turning on the saw.
- Turn the saw on.
- Let the blade build up to full speed before moving the workpiece into the blade.
- Hold the workpiece firmly with both hands on the miter gauge and feed the workpiece into the blade.

NOTE: The hand closest to the blade should be placed on the miter gauge lock knob and the hand farthest from the blade should be placed on the workpiece.

- When the cut is made, turn the saw off. Wait for the blade to come to a complete stop before removing the workpiece.

MAKING A BEVEL CROSS CUT

See Figures 52 - 53.

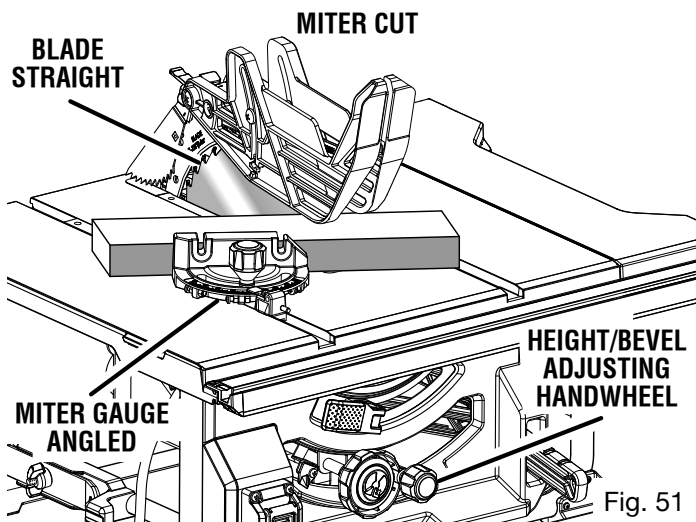
WARNING:

Make sure the blade guard assembly is installed and working properly to avoid possible serious injury.

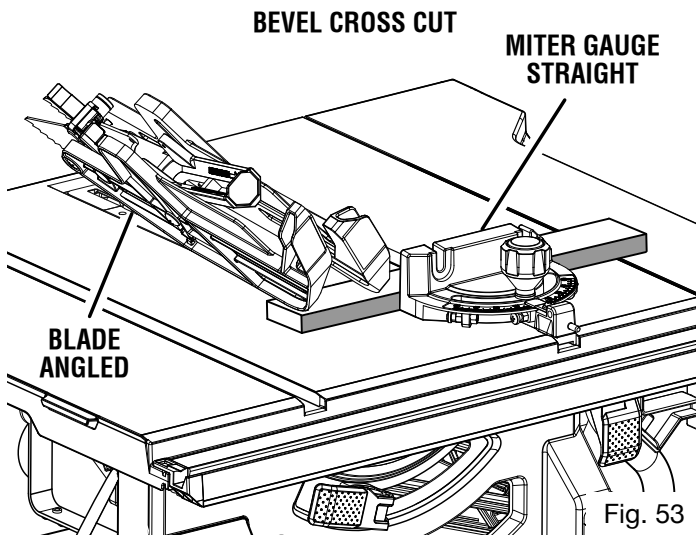
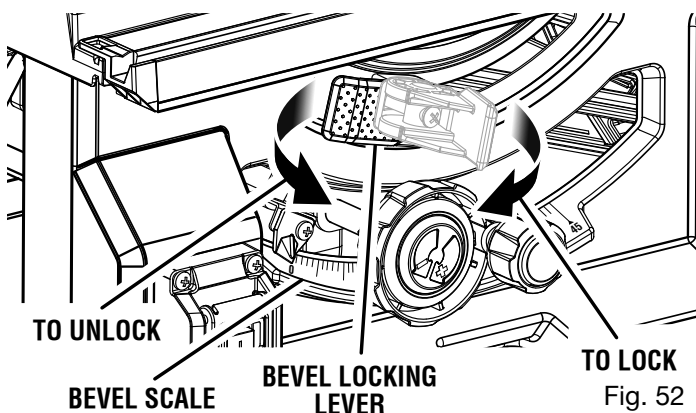
WARNING:

The miter gauge must be on the right side of the blade to avoid trapping the wood and causing kickback. Placement of the miter gauge to the left of the blade will result in kickback and the risk of serious personal injury.

- Remove the rip fence.
- Unlock the bevel locking lever.
- Adjust the bevel angle to the desired setting.
- Lock the bevel locking lever.
- Set the blade to the correct depth for the workpiece.
- Set the miter gauge to 0° and tighten the lock knob.
- Make sure the wood is clear of the blade before turning on the saw.
- Turn the saw on.
- Let the blade build up to full speed before moving the workpiece into the blade.



VIEWED FROM THE FRONT, BELOW THE TABLE SAW



- Hold the workpiece firmly with both hands on the miter gauge and feed the workpiece into the blade.
- NOTE:** The hand closest to the blade should be placed on the miter gauge lock knob and the hand farthest from the blade should be placed on the workpiece.
- When the cut is made, turn the saw off. Wait for the blade to come to a complete stop before removing the workpiece.

OPERATION

MAKING A BEVEL RIP CUT

See Figure 54.

WARNING:

Make sure the blade guard assembly is installed and working properly to avoid serious personal injury.

WARNING:

The rip fence must be on the right side of the blade to avoid trapping the wood and causing kickback. Placement of the rip fence to the left of the blade will result in kickback and the risk of serious personal injury.

- Remove the miter gauge.
- Install featherboard in the appropriate position for the cut being made.
- Unlock the bevel locking lever.
- Adjust the bevel angle to the desired setting.
- Lock the bevel locking lever.
- Set the blade to the correct depth for the workpiece.
- Position the rip fence the desired distance from the blade for the cut and securely lock the handle.
- Make sure the wood is clear of the blade before turning on the saw.
- When cutting a long or wide workpiece, place a support the same height as the table surface in front of the saw, and on the sides of the saw as needed.
- Turn the saw on.

- Position the workpiece flat on the table with the edge flush against the rip fence. Let the blade build up to full speed before feeding the workpiece into the blade.
- Using a push stick and/or push blocks, slowly feed the workpiece toward the blade. Stand slightly to the side of the wood as it contacts the blade to reduce the chance of injury should kickback occur.
- Once the blade has made contact with the workpiece, use the hand closest to the rip fence to guide it. Make sure the edge of the workpiece remains in solid contact with both the rip fence and the surface of the table. If ripping a narrow piece, use a push stick and/or push blocks to move the piece through the cut and past the blade.
- When the cut is made, turn the saw off. Wait for the blade to come to a complete stop before removing the workpiece.

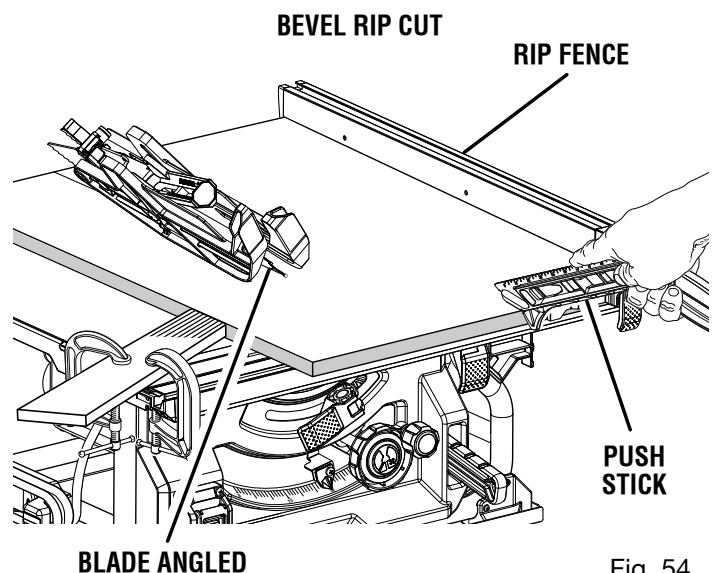


Fig. 54

OPERATION

MAKING A COMPOUND (BEVEL) MITER CUT

See Figure 55.

WARNING:

Make sure the blade guard assembly is installed and working properly to avoid possible serious injury.

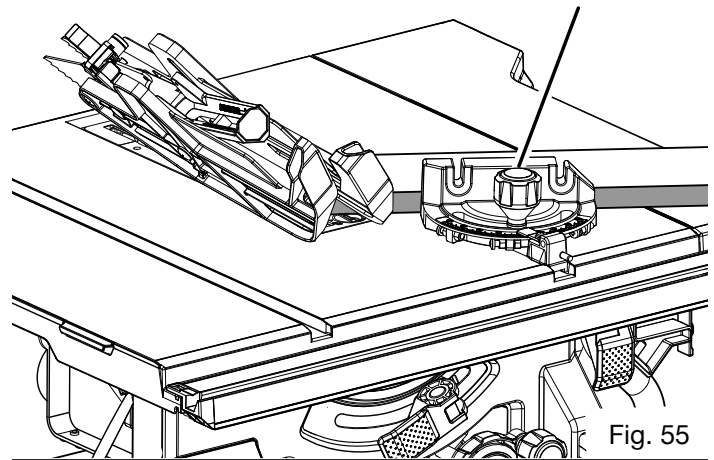
WARNING:

The miter gauge must be on the right side of the blade to avoid trapping the wood and causing kickback. Placement of the miter gauge to the left of the blade will result in kickback and the risk of serious personal injury.

- Remove the rip fence.
- Unlock the bevel locking lever.
- Adjust the bevel angle to the desired setting.
- Lock the bevel locking lever.
- Set the blade to the correct depth for the workpiece.
- Set the miter gauge to the desired angle and tighten the lock knob.
- Make sure the wood is clear of the blade before turning on the saw.
- Turn the saw on.

COMPOUND (BEVEL) MITER CUT

PLACE LEFT HAND ON
MITER GAUGE HERE



- Let the blade build up to full speed before moving the workpiece into the blade.
- Hold the workpiece firmly with both hands on the miter gauge and feed the workpiece into the blade.
NOTE: The hand closest to the blade should be placed on the miter gauge lock knob and the hand farthest from the blade should be placed on the workpiece.
- When the cut is made, turn the saw off. Wait for the blade to come to a complete stop before removing the workpiece.

OPERATION

MAKING A LARGE PANEL CUT

See Figure 56.

Make sure the saw is properly secured to a work surface to avoid tipping from the weight of a large panel.

WARNING:

Make sure the blade guard assembly is installed and working properly to avoid possible serious injury.

WARNING:

Never make freehand cuts (cuts without the miter gauge or rip fence), which can result in serious injury.

- Install featherboard in the appropriate position for the cut being made.
- When cutting a long or wide workpiece, place a support the same height as the table surface in front of the saw, behind the saw, and on the sides of the saw as needed.

WARNING:

Improper support of the workpiece on the side and/or outfeed side of the saw could create unexpected movement of the workpiece and/or the saw, resulting in serious personal injury.

- Depending on the shape of the panel, use the rip fence or miter gauge. If the panel is too large to use either the rip fence or the miter gauge, it is too large for this saw.
- Make sure the wood does not touch the blade before you turn on the saw.
- Turn the saw on.
- Position the workpiece flat on the table with the edge flush against the rip fence. Let the blade build up to full speed before feeding the workpiece into the blade.

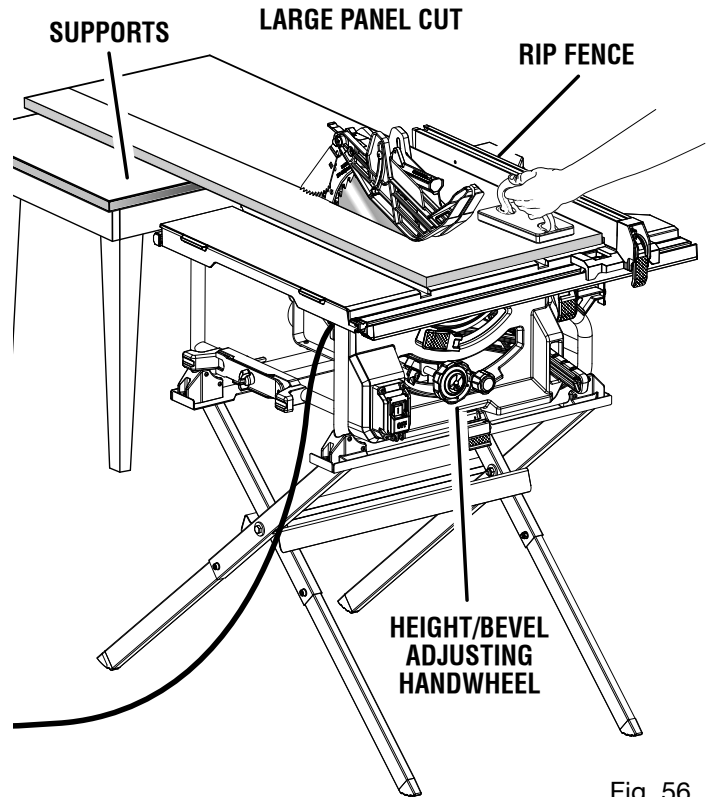


Fig. 56

- Using a push stick and/or push blocks, slowly feed the workpiece toward the blade. Stand slightly to the side of the wood as it contacts the blade to reduce the chance of injury should kickback occur.
- Once the blade has made contact with the workpiece, use the hand closest to the rip fence to guide it. Make sure the edge of the workpiece remains in solid contact with both the rip fence and the surface of the table. If ripping a narrow piece, use a push stick to move the piece through the cut and past the blade.
- When the cut is made, turn the saw off. Wait for the blade to come to a complete stop before removing the workpiece.

OPERATION

MAKING A NON-THROUGH CUT

See Figure 57.

Non-through cuts (made with a standard 10 in. blade) can be made with the grain (ripping) or across the grain (cross cut). The use of a non-through cut is essential to cutting grooves, rabbets, and dadoes. This is the only type cut that is made without the blade guard assembly installed. Make sure the blade guard assembly is reinstalled upon completion of this type of cut. Read the appropriate section which describes the type of cut in addition to this section on non-through or dado cuts. For example, if your non-through cut is a straight cross cut, read and understand the section on straight cross cuts before proceeding.

WARNING:

When making a non-through cut, the cutter is covered by the workpiece during most of the cut. Be alert to the exposed cutter at the start and finish of every cut to avoid the risk of personal injury.

WARNING:

Never feed wood with your hands when making any non-through cut such as rabbets or dadoes. To avoid personal injury, always use push blocks, push sticks, and featherboards.

- Unplug the saw.
- Remove the blade guard and anti-kickback pawls.
- Place riving knife in “down” position.
- Unlock the bevel locking lever.
- Adjust the bevel angle to the desired setting.
- Lock the bevel locking lever.
- Set the blade to the correct depth for the workpiece.
- Depending on the shape and size of the wood, use either the rip fence or miter gauge.
- Plug the saw into the power source and turn the saw on.

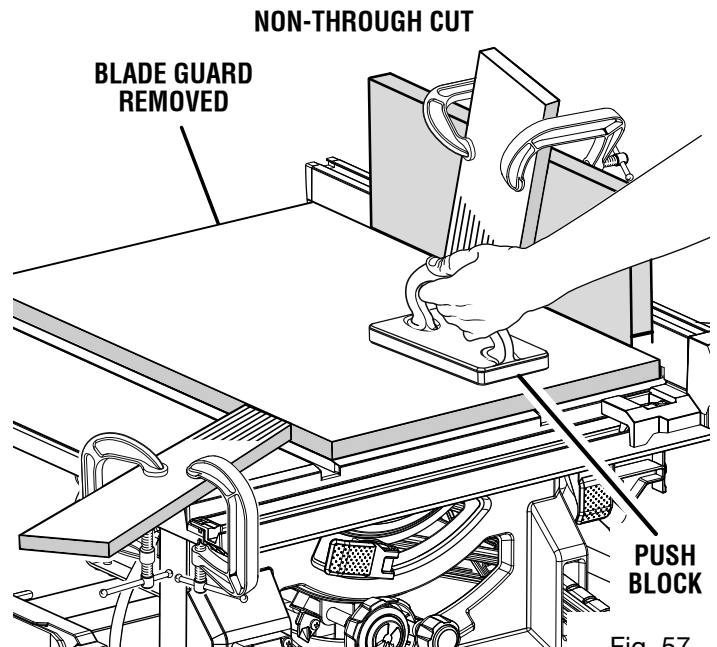


Fig. 57

- Let the blade build up to full speed before moving the workpiece into the blade.
- Always use push blocks, push sticks, and/or featherboards appropriately when making non-through cuts to reduce the risk of serious injury.
- When the cut is made, turn the saw off. Wait for the blade to come to a complete stop before removing the workpiece.

NOTE: A non-through rip cut is shown in the illustration above. To make a non-through cross cut, remove the blade guard and anti-kickback pawls. Place the riving knife in the “down” position and perform the cross cut, see **Making a Cross Cut** earlier in this section.

Once all non-through cuts are completed:

- Unplug your saw.
- Place riving knife in “up” position.
- Reinstall blade guard and anti-kickback pawls.

OPERATION

MAKING A DADO CUT

See Figure 58.

An optional dado throat plate is required for this procedure (see the *Accessories* section of this manual and check with the retailer where the table saw was purchased). All blades and dado sets must not be rated less than the speed of this tool. This saw is designed for use with a 6 in. stack dado (up to width of 3/4 in.). Do not use an adjustable dado on this saw. Rabbeting cuts are dado cuts made on the end of a workpiece. For best results, complete rabbet cuts using a dado stack blade.

NOTE: Use an auxiliary fence when making rabbet cuts to prevent the face of the rip fence from making contact with the dado blade stack during the cutting operation.

WARNING:

When making a non-through cut, the blade is covered by the workpiece during most of the cut. Be alert to the exposed blade at the start and finish of every cut to reduce the risk of personal injury.

WARNING:

Always put all blade washers, spacers, and nuts in proper location when changing back to saw blade. Failure to do so may result in possible injury and damage to the tool.

WARNING:

Always use push blocks, push sticks, and/or featherboards when making dado cuts to avoid the risk of serious injury.

- Unplug your saw.
- Remove the blade guard, anti-kickback pawls, throat plate, and riving knife.

NOTE: For details on removing and reinstalling the riving knife, see **Cleaning the Riving Knife Lock Lever Plates** in the *Maintenance* section of this manual.

- Remove the blade nut, outer blade washer, saw blade, inner blade washer, and spacer.

NOTE: Always store the blade washer and throat plate in a secure location.

- Reinstall the inner blade washer.
- Mount the dado blade, according to manufacturer instructions, using the blade and chippers appropriate for the desired width of cut.

- Reinstall and securely tighten the blade nut.

NOTE: The blade washer may be used provided the arbor shaft extends slightly beyond the arbor nut.

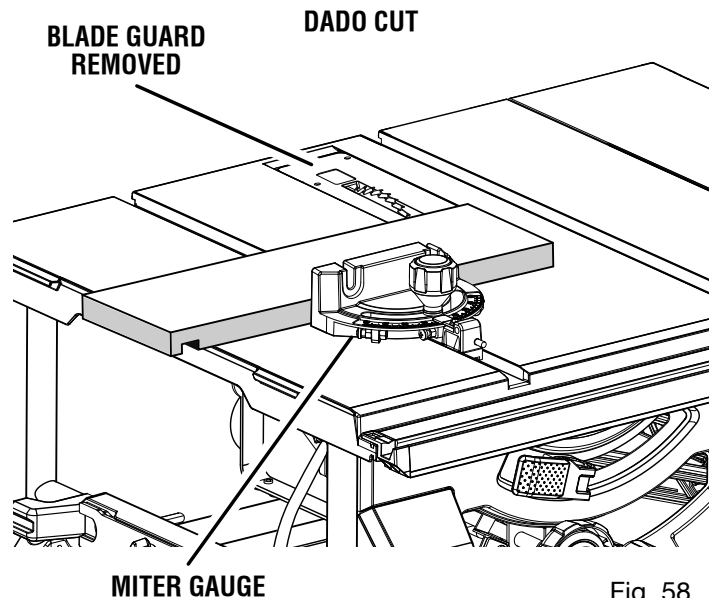


Fig. 58

- Make sure the blade nut is fully engaged and the arbor extends past a securely tightened blade nut.
- Place riving knife release lever in locked position.
- Install the dado throat plate and rotate the blade by hand to make sure it turns freely then lower the blade.
- Depending on the shape and size of the wood, use either the rip fence or miter gauge.
- If making a rip cut, install featherboard in the appropriate position for the cut being made.
- Turn the saw on.

NOTE: Make sure the wood does not touch the blade before you turn on the saw. Let the blade build up to full speed before feeding the workpiece into the blade.

- Position the workpiece flat on the table with the edge flush against the rip fence or miter gauge.
- Use a push block or push stick to move the wood through the cut past the blade. Never push a small piece of wood into the blade with your hand, always use a push stick. The use of push blocks, push sticks, and featherboards are necessary when making non-through cuts.
- When the cut is made, turn the saw off. Wait for the blade to come to a complete stop before removing the workpiece.

NOTE: A dado cross cut is shown in the illustration above. To make a dado rip cut, remove the blade guard, anti-kickback pawls, throat plate, and riving knife. Install the dado blade and dado throat plate then perform the rip cut, see **Making a Rip Cut** earlier in this section.

Once all dado cuts are completed:

- Unplug your saw.
- Remove the dado throat plate and dado blade.
- Reinstall the riving knife in the “up” position.
- Reinstall standard cutting blade, throat plate, blade guard and anti-kickback pawls.

ADJUSTMENTS

WARNING:

Before performing any adjustment, make sure the tool is unplugged from the power supply and the top button on the switch is not depressed. Failure to heed this warning could result in serious personal injury.

To avoid unnecessary set-ups and adjustments, a good practice is to check your setups carefully with a framing square and make practice cuts in scrap wood before making finish cuts in good workpieces. Do not start any adjustments until you have checked with a square and made test cuts to be sure adjustments are needed.

TO REPLACE THE BLADE

See Figures 59 - 60.

Wear gloves and other personal protective equipment when installing and removing a blade only. **DO NOT** wear gloves when operating the saw. **DO NOT** place gloved hand near blade when it is in motion.

Use correct blades. Blade kerf width and blade body thickness must be within the limits stamped on the riving knife.

- Unplug the saw.
- Remove the blade guard and anti-kickback pawls.
- Lower the saw blade and remove the throat plate.
- Lock the bevel locking lever.
- Raise the saw blade to full height.
- Using the large blade wrench, insert the open end onto the flats on the arbor shaft.
- Insert the closed end of the small blade wrench over the blade nut. Holding both wrenches firmly, pull the small blade wrench forward while pushing the large blade wrench to the back of the saw.

NOTE: Arbor shaft has right-hand threads.

- Unlock the release lever and remove the blade.

To replace the blade with an accessory blade, follow the instructions provided with the accessory.

To install a standard blade:

NOTE: Make sure the spacer and inner blade washer are in place on the arbor shaft before installing the new blade.

- Place the new blade on the arbor shaft (the teeth must point down toward the front of the saw to work properly).
- Place the blade washer and the blade nut over the arbor shaft. Be sure the domed side of the blade washer faces out from the blade and that all items are snug against the arbor flange. Make sure the blade nut is securely tightened. Do not overtighten.

NOTE: Arbor shaft has right-hand threads.

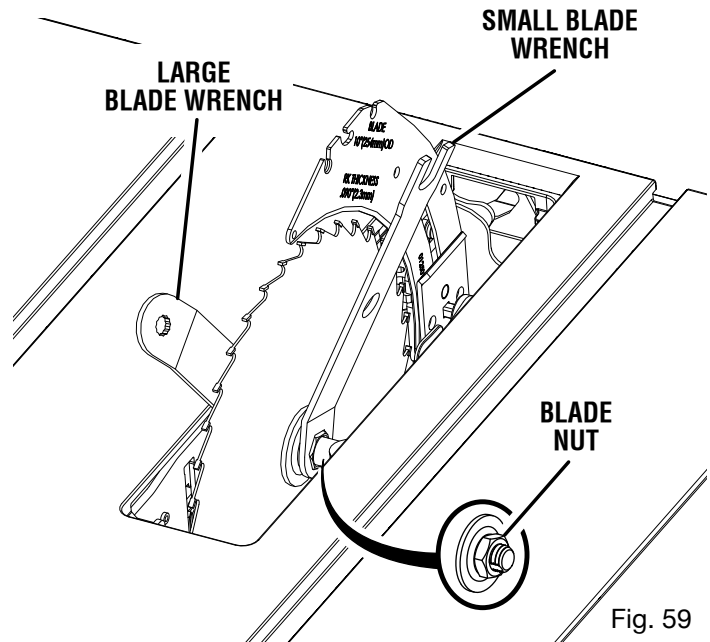


Fig. 59

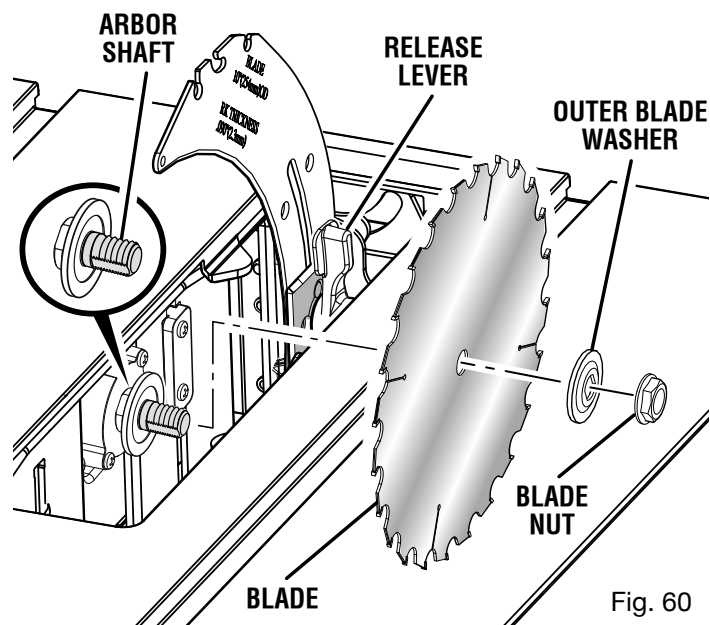


Fig. 60

- Lock the release lever.
- Rotate the blade by hand to make sure it turns freely.
- Lower the saw blade and reinstall the throat plate.
- Check all clearances for free blade rotation.

After installation, adjust the rip scale indicator to account for the kerf and thickness of the blade. Refer to **To Set the Rip Fence Scale Indicator to the Blade** in the *Operation* section of this manual. In cutting operations, the scale will be set to the side of the blade where the cut will be measured and made.

ADJUSTMENTS

TO SET THE BLADE AT 0° AND 45°

See Figures 61 - 62.

The angle settings of the saw have been set at the factory and, unless damaged in shipping, should not require setting during assembly. After extensive use, it may need to be checked.

- Unplug the saw.
- Raise the blade.
- Remove the blade guard and anti-kickback pawls.

To check for squareness, 0° bevel:

- Release the bevel locking lever.
- Rotate the height/bevel adjusting handwheel until the blade is tilted to the right as far as it will go.
- Lock the bevel locking lever.
- Place the combination square against blade. Make sure square is not touching the tip of one of the saw teeth.

If the blade is not an exact 90° (0° bevel):

- Release the bevel locking lever.
- Rotate the height/bevel adjusting handwheel until the bevel indicator points to 5°-10°.
- Turn the 0° stop screw 1/4 turn in the clockwise or counterclockwise direction.
- Rotate the height/bevel adjusting handwheel until the blade is tilted to the right as far as it will go.
- Lock the bevel locking lever and check the blade angle.
- Repeat above steps to readjust and recheck blade angle as needed.

Once blade is square to the table (0° bevel):

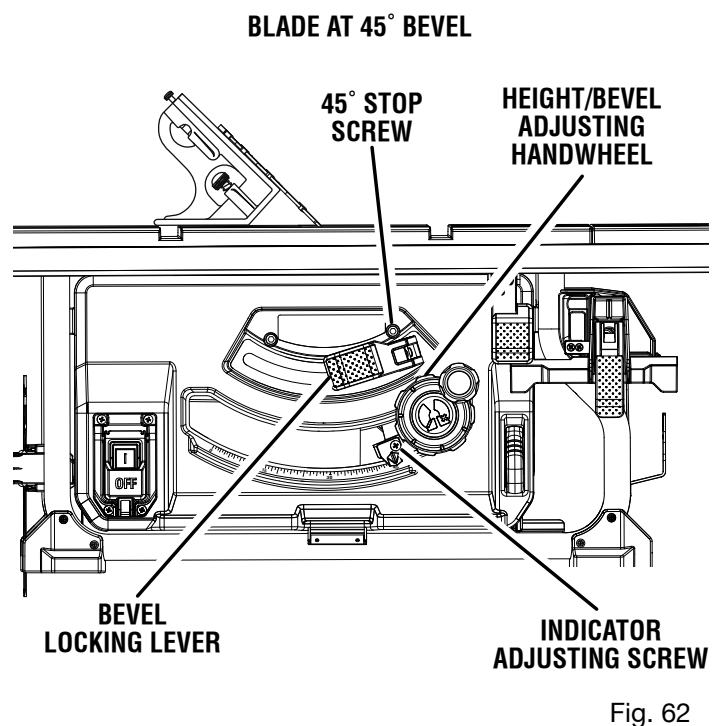
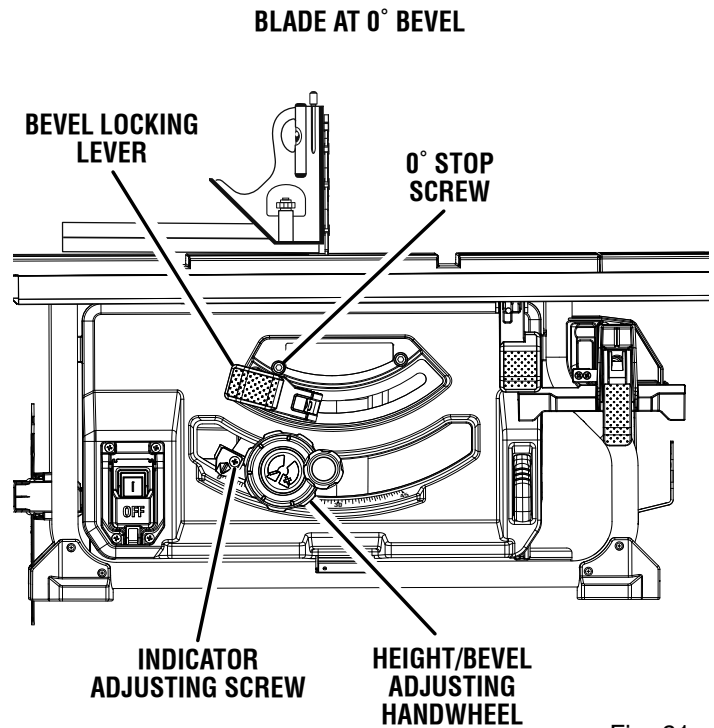
- Check bevel indicator.
- If indicator is not pointing to the 0° mark on the bevel scale, loosen the indicator adjusting screw and adjust indicator.
- Retighten screw.

To check for squareness, 45° bevel:

- Release the bevel locking lever.
- Rotate the height/bevel adjusting handwheel until the blade is tilted to the left as far as it will go.
- Lock the bevel locking lever.
- Place the combination square against blade. Make sure square is not touching the tip of one of the saw teeth.

If the blade is not an exact 45°:

- Release the bevel locking lever.
- Rotate the height/bevel adjusting handwheel until the bevel indicator points to 35°-40°.
- Turn the 45° stop screw 1/4 turn in the clockwise or counterclockwise direction.



- Rotate the height/bevel adjusting handwheel until the blade is tilted to the left as far as it will go.
- Lock the bevel locking lever and check the blade angle.
- Repeat above steps to readjust and recheck blade angle as needed.

ADJUSTMENTS

Once blade is 45° to the table:

- Check bevel indicator.
- If indicator is not pointing to the 45° mark on the bevel scale, loosen the indicator adjusting screw and adjust indicator.
- Retighten screws.

When all adjustments are complete:

- Reinstall blade guard and anti-kickback pawls.

TO ADJUST THE MITER GAUGE

See Figure 63.

You can set the miter gauge at 0° and plus or minus 45° with the miter gauge stop pin and adjustable stop screws.

NOTE: The miter gauge provides close accuracy in angled cuts. For very close tolerances, test cuts are recommended.

- Loosen knob and pull out on stop pin to rotate miter gauge base past stop screws.
- Loosen the lock nut of the 0° stop screw at the stop pin with a 8 mm wrench.
- Place a combination square against the miter gauge rod and the miter gauge base.
- If the rod is not square, loosen the knob, adjust the rod, and tighten the knob.
- Adjust the 0° stop screw until it rests against the stop pin.
- Adjust the plus and minus 45° stop screws using a 45° triangle and the steps above.

TO CHECK THE ALIGNMENT OF THE RIP FENCE TO THE BLADE

See Figure 64 - 66.

The rip fence must be parallel to the saw blade and the miter gauge grooves.

WARNING:

A misaligned rip fence can cause kickbacks and jams. To reduce the risk of injury, always maintain proper rip fence alignment.

- Unplug the saw.
- Remove the blade guard, riving knife, and anti-kickback pawls. Raise the blade by turning the height/bevel adjusting handwheel clockwise.
- Verify the blade is parallel to the miter gauge groove as described in the **Adjusting the Blade Parallel to the Miter Gauge Groove (Removing Heel)** section in *Operations*.
- Move the low fence so it faces away from the blade and install the rip fence.
- Move the rip fence near the saw blade (about three inches away) and lock the rip fence in place with the locking lever.

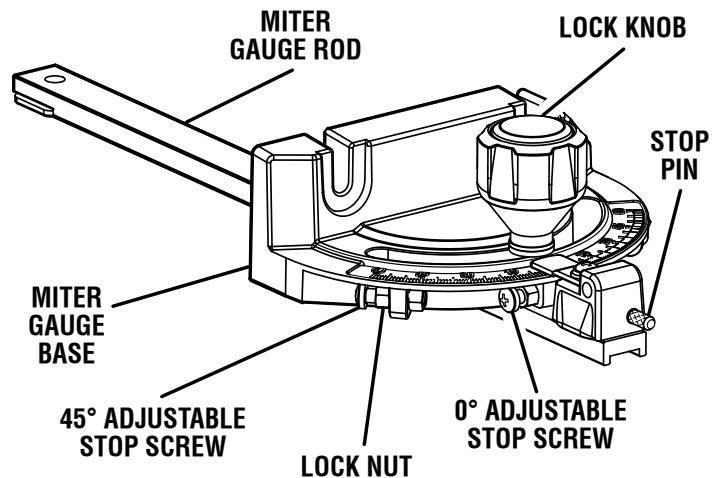


Fig. 63

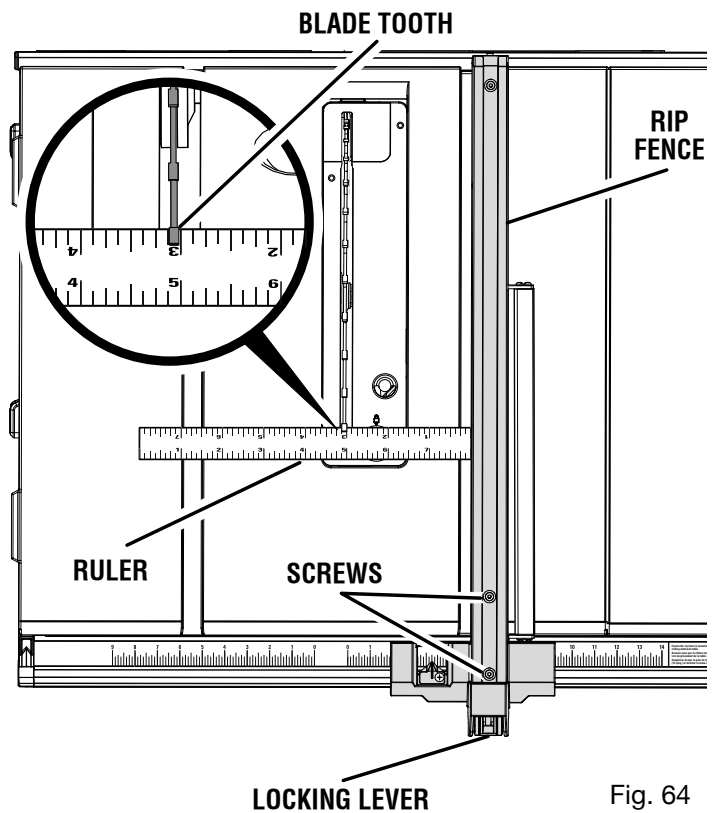


Fig. 64

- Mark beside one of the blade teeth at the front of the blade. Using a ruler, measure the distance from the inside face of the blade tooth to the inside face of the rip fence.

NOTE: For greater accuracy, place the marked blade tooth on top of the ruler.

- Turn the blade so the marked tooth is at the back.
- Move the ruler to the rear and again measure the distance from the inside face of the blade tooth to the inside face of the rip fence. If the distances are the same, the blade and the rip fence are parallel.

ADJUSTMENTS

If the distances are different:

- Loosen the two screws located on top of the rip fence.
- Adjust the rip fence.
- Alternately retighten the screws. Recheck alignment.
- Repeat steps as needed until rip fence is correctly aligned.
- Replace blade guard, riving knife, and anti-kickback pawls.

To check the alignment of the low fence:

- Unplug the saw.
- Verify the blade is parallel to the miter gauge groove as described in the **Adjusting the Blade Parallel to the Miter Gauge Groove (Removing Heel)** section in *Operations*.
- Verify that the rip fence is parallel to the saw blade as described earlier in this section.
- Remove the rip fence.
- Turn the rip fence on its side.
- Place the fence on a flat level surface with the front of the fence hanging over the edge.
- Place a combination square against the rip fence and low fence as shown.
- Measure the distance from the side of the rip fence to the exterior edge of the low fence.
- Move the combination square and measure the distance at the opposite end of the low fence.

NOTE: If the distances are the same, swing the low fence to the other side of the rip fence, turn the rip fence over, and recheck alignment.

If the distances are different:

- Loosen but **do not remove** the Phillips screws at the front and back of the low fence.

NOTE: After the screws are loosened, the position of the low fence can be adjusted by hand.

- Tighten Phillips screws.
- Recheck alignment.
- Repeat steps as needed until low fence is correctly aligned.
- Replace blade guard, riving knife, and anti-kickback pawls.
- Make two or three test cuts on scrap wood. If the cuts are not true, repeat the process.

TO CHECK THE TIGHTNESS OF THE RIP FENCE LOCKING LEVER

See Figure 67.

The locking lever on the rip fence should hold the rip fence securely against the front and back rails. The lever should not be difficult to push down and lock. To assure proper fence lock adjustment:

- Lock the rip fence in place.
- Try moving the fence from side-to-side. If the fence moves, tighten the lock nut 1/4 turn at a time, rechecking for movement after each adjustment.

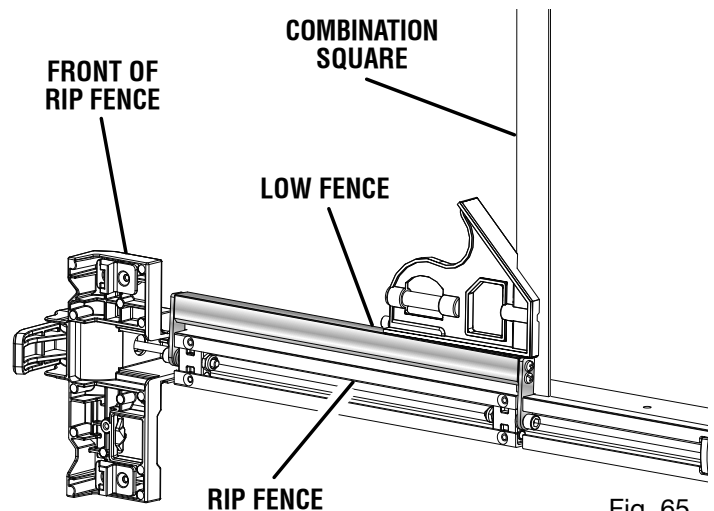


Fig. 65

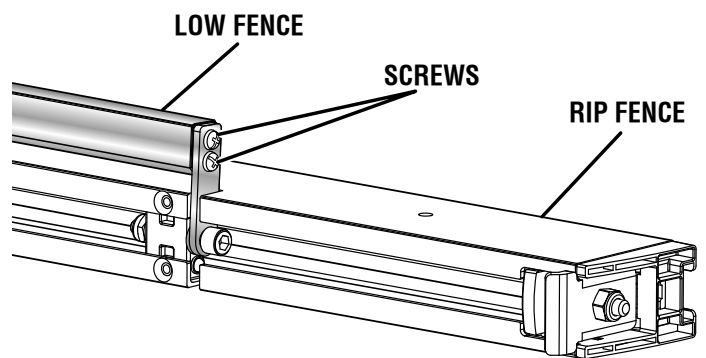


Fig. 66

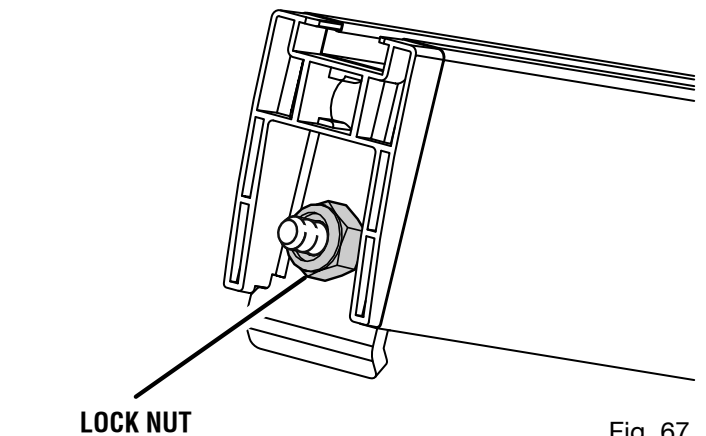


Fig. 67

- With the rip fence in the locked position, recheck rip fence parallelism with the blade and adjust if necessary.

NOTE: If it is difficult or too easy to lock and unlock the locking lever, adjust the lock nut until the lever is properly tensioned then repeat the above steps.

ADJUSTMENTS

TO ADJUST THE BEVEL LOCKING LEVER

See Figure 68.

- Release bevel locking lever and bevel saw blade to 45°.
- Push bevel locking lever to lock blade into place.
- With moderate force, attempt to move the height/bevel adjusting handwheel toward the 0° bevel.
- If height/bevel adjusting handwheel cannot be moved, no adjustment is needed. If handwheel can be moved, adjust the bevel lock nut by rotating clockwise 1/4 turn.
- Repeat above step as necessary.
- Release bevel locking lever and move height/bevel adjusting handwheel back to 0°.

CHECKING THE TABLE EXTENSION

See Figure 69.

Lock the sliding table extension. The sliding table extension should not move while locked. If the extension moves:

- Lift the table extension lock lever.
- Find the hex coupling located underneath the table at the rear of the saw.
- Loosen the hex locking nuts.
- Turn the hex coupling counterclockwise.
- Lock the table extension lock. Push and pull on the sliding table extension.
- Readjust hex coupling if necessary.
- Tighten the hex locking nuts against coupling.

TO ADJUST THE HEIGHT OF THE TABLE EXTENSION

See Figure 70.

- Lock table extension lever.
- Loosen the four nuts underneath the sliding table extension.

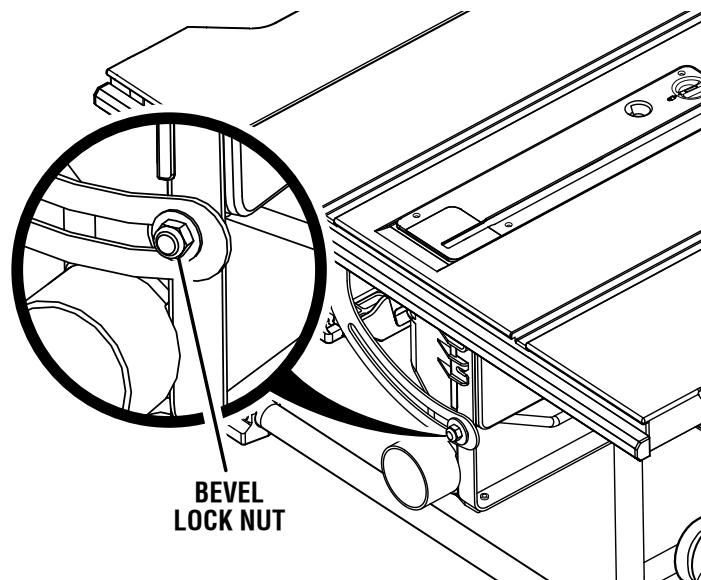


Fig. 68

- Use a square to make sure the top of the sliding table extension is the same height as the main table.
- Tighten the four hex nuts. Recheck and readjust if necessary.

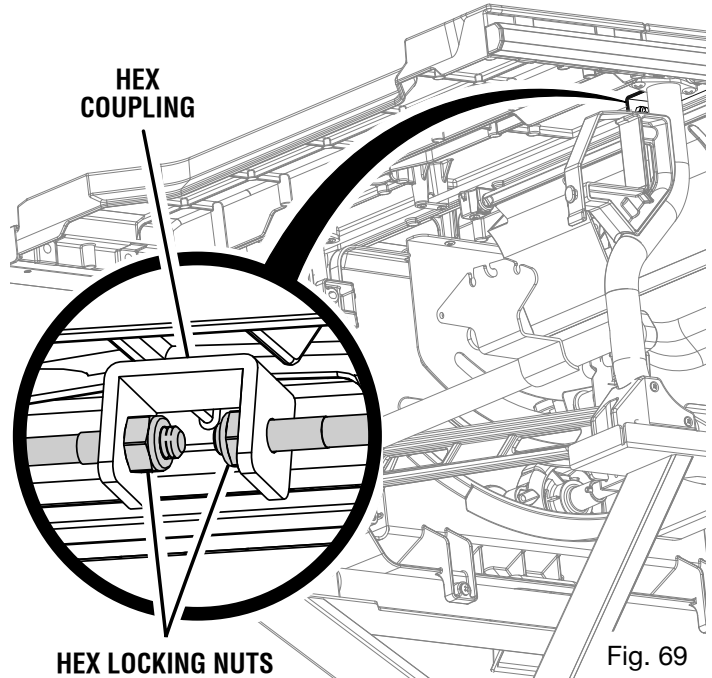


Fig. 69

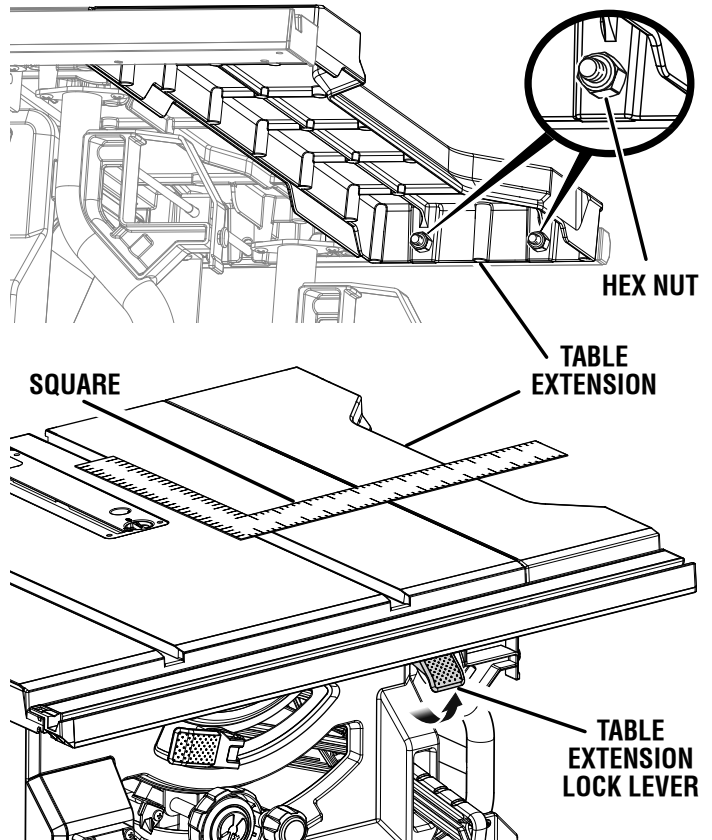


Fig. 70

MAINTENANCE

WARNING:

When servicing, use only identical replacement parts. Use of any other parts may create a hazard or cause product damage.

WARNING:

Always wear eye protection with side shields marked to comply with ANSI Z87.1 during product operation. If operation is dusty, also wear a dust mask.

WARNING:

Before performing any maintenance, make sure the tool is unplugged from the power supply and the top button on the switch is not depressed. Failure to heed this warning could result in serious personal injury.

GENERAL MAINTENANCE

Avoid using solvents when cleaning plastic parts. Most plastics are susceptible to damage from various types of commercial solvents and may be damaged by their use. Use clean cloths to remove dirt, dust, oil, grease, etc.

WARNING:

Do not at any time let brake fluids, gasoline, petroleum-based products, penetrating oils, etc., come in contact with plastic parts. Chemicals can damage, weaken or destroy plastic which may result in serious personal injury.

- Periodically check all clamps, nuts, bolts, and screws for tightness and condition. Make sure the throat plate is in good condition and in position.
- Check the blade guard assembly for proper installation, fit, clearances, and for free movement. Some wood types may cause a buildup of dust, pitch, or resin on components, so regular maintenance and cleaning is recommended. Any cleaner used must be appropriate for use on plastic parts.
- **Clean plastic parts only with a soft damp cloth. Do not** use any aerosol or petroleum solvents.
- Protect the blade by cleaning out sawdust from underneath the table and in the blade teeth. Clean blade teeth with a solvent recommended for gum and pitch removal.
- To maintain the table surfaces, fence, and rails, periodically apply paste wax to them and buff to provide smooth functioning. To prevent work from slipping during cutting operation, **do not** wax the working face of the miter gauge.

LUBRICATION

This saw's motor bearings have been packed at the factory with proper lubrication.

- Clean screw threads and nuts with a solvent recommended for gum and pitch removal.
- Lubricate screw threads, nuts, and bearing points (including those on the blade guard assembly and miter gauge).

CLEANING THE RIVING KNIFE LOCK LEVER PLATES

See Figure 71.

The lock lever on the riving knife may become difficult to lock securely after extended use due to sawdust or debris falling into the plates.

- Unplug the saw.
- Unlock the lever to remove the riving knife.
- Wipe the area with a clean dry cloth or use compressed air to blow away debris.
- Clean the riving knife.
- Reinstall the riving knife and turn the lever to lock the riving knife in place.

NOTE: If the lock lever is difficult to move or will not fully close after the plates have been cleaned, contact customer service.

WARNING:

Do not use the saw if the lock lever does not fully close. Doing so may cause serious personal injury.

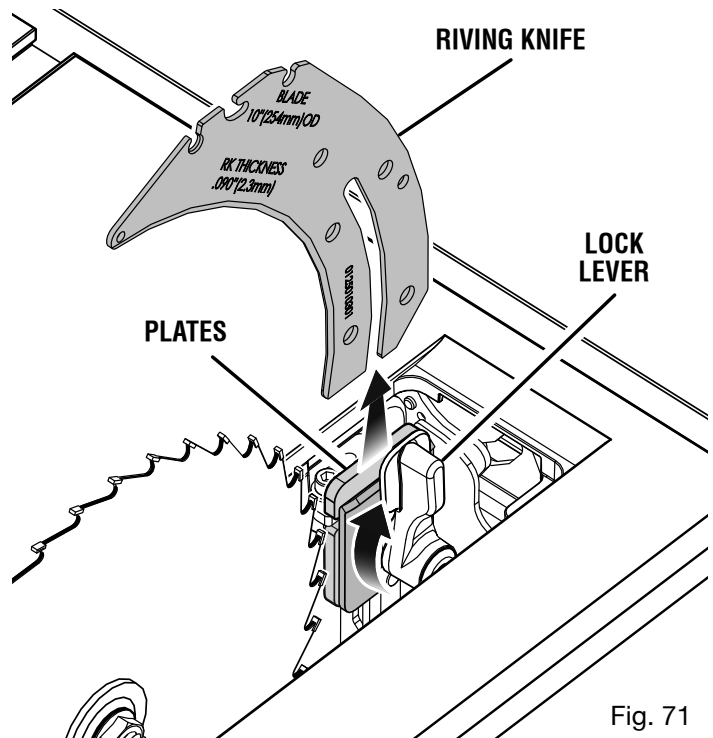


Fig. 71

MAINTENANCE

CLEANING DUST CHUTE

See Figure 72.

This saw features a dust chute for convenience in discharging sawdust. A standard shop vac can be attached to the chute, located under the back side of the saw.

During periods of extended use, the dust chute should be emptied and cleaned to prevent buildup of sawdust and to make sure there are no obstructions or other small offcuts that may have fallen into the throat plate opening that could hinder maximum performance.

To remove/clean the dust chute:

- Unplug your saw.
- Loosen wing screws.
- Lift the dust chute slightly and move it away from the blade.
- Clean sawdust and wood chips from the dust chute.

To reinstall dust chute:

- Tilt dust chute and slide the tab under the slot (A).
- Hook the right side of the dust chute under the screw (B).
- Secure in place using wing screws (C).

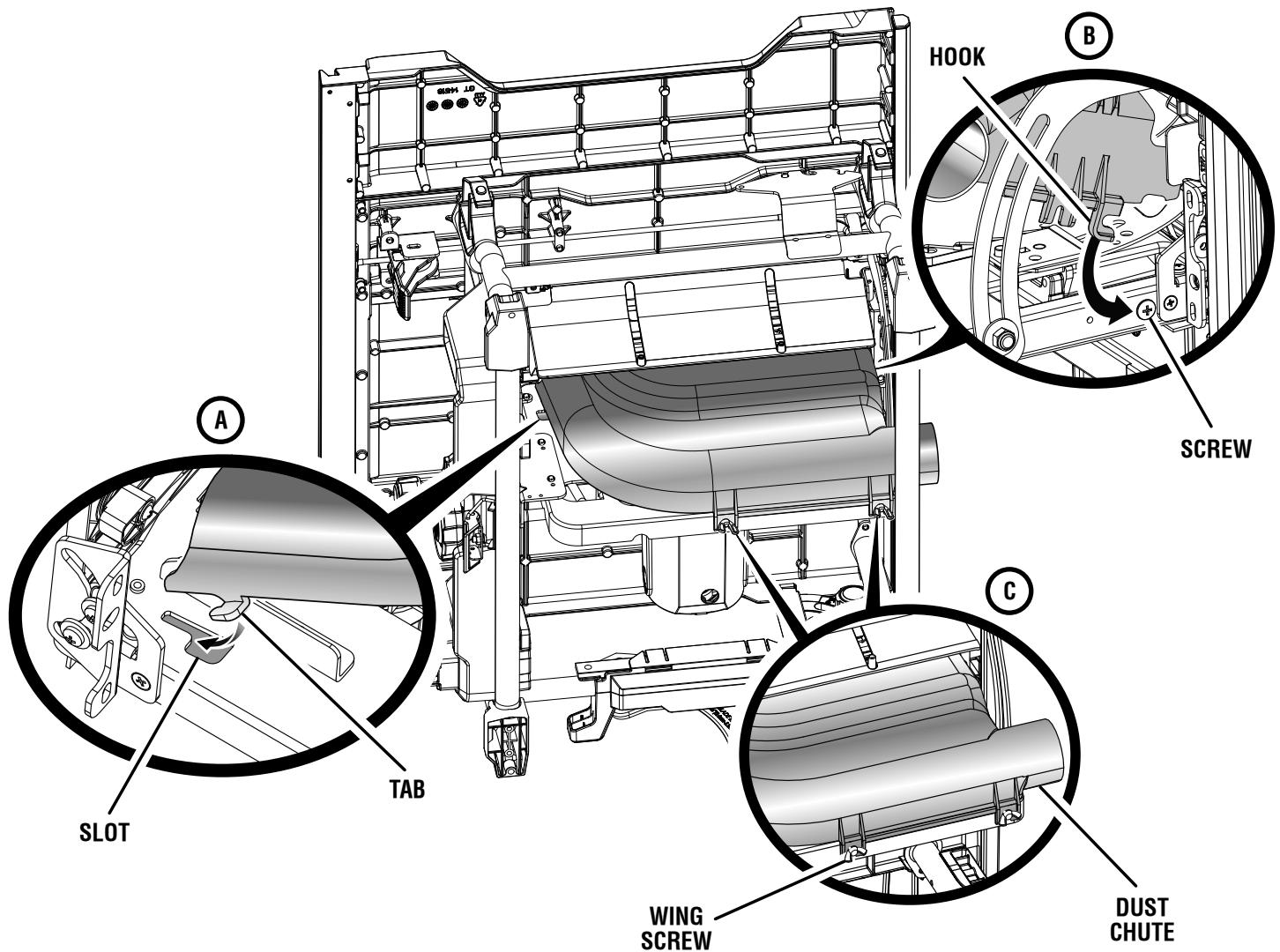


Fig. 72

MAINTENANCE

BRUSH REPLACEMENT

See Figure 73.

- Unplug the saw.
- Lower blade completely and bevel to 45°. Lock the blade.
- Turn saw upside down.
- Remove brush caps with a screwdriver.

NOTE: Brush assembly is spring load and will pop out when brush cap is removed.
- Remove brush assemblies and check for wear.
- Replace both brushes when either has less than 1/4 in. length of carbon remaining. **Do not** replace one side without replacing the other.
- Reassemble using new brush assemblies by reversing the steps listed above. Make sure curvature of brush matches curvature of motor and that brush moves freely in brush tube.
- Tighten all brush caps securely. **Do not** overtighten.

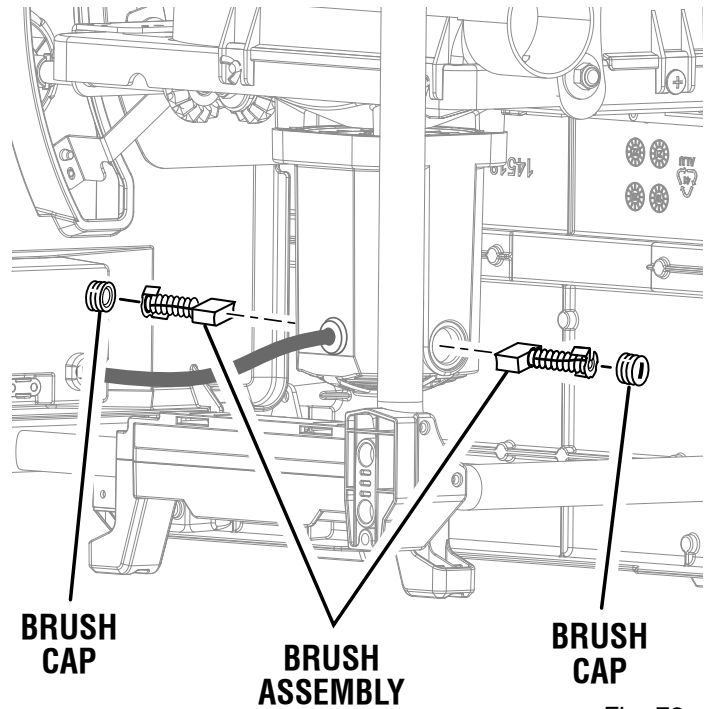


Fig. 73

ACCESSORIES

Look for these accessories where you purchased this product or call 1-866-539-1710:

- Dado Throat Plate089240028701
- Flip Top Portable Work Support.....AC9934

⚠ WARNING:

Current attachments and accessories available for use with this product are listed above. Do not use any attachments or accessories not recommended by the manufacturer of this product. The use of attachments or accessories not recommended can result in serious personal injury.

TROUBLESHOOTING

Problem	Cause	Solution
Excess vibration.	Blade is out of balance. Blade is damaged. Saw is not mounted securely. Work surface is uneven. Blade is warped.	Replace blade. Replace blade. Tighten all hardware. Reposition on flat surface. Check saw blade installation.
Rip fence does not move smoothly.	Rip fence not mounted correctly. Rails are dirty or sticky. Adjusting nut is out of adjustment.	Remount the rip fence. Clean rails. Adjust adjusting nut.

TROUBLESHOOTING

Problem	Cause	Solution
Rip fence does not lock securely.	Adjusting nut is out of adjustment.	Adjust adjusting nut.
Cutting binds or burns work.	Blade is dull. Blade is heeling. Work is fed too fast. Rip fence is misaligned. Riving knife is out of alignment. Wood is warped.	Replace or sharpen blade. See Adjusting the Blade Parallel to the Miter Gauge Groove (Removing Heel) in the Operation section. Slow the feed rate. Align the rip fence. See To Check and Align the Riving Knife and Saw Blade in the <i>Assembly</i> section. Replace the wood. Always cut with convex side to table surface.
Wood edges away from rip fence when ripping.	Rip fence is misaligned. Blade not properly aligned or set.	Check and adjust the rip fence. Resharpen or set blade.
Saw does not make 0° or 45° cuts.	Bevel stops not properly adjusted. Miter gauge is misaligned (Miter Cuts).	See To Set the Bevel Indicator and Bevel Stops at 0° and 45° (Squaring the Blade) in the <i>Adjustments</i> section. See To Adjust the Miter Gauge in the <i>Adjustments</i> section.
Height/bevel adjusting handwheel is hard to turn.	Gears or screw post behind the front panel are clogged with sawdust.	Clean the gears or screw posts.
Saw does not start.	Power cord not plugged in. Circuit fuse is blown. Circuit breaker is tripped. Cord, switch, or motor is damaged.	Plug in power cord. Replace circuit fuse. Reset circuit breaker. Have replaced by qualified service center.
Blade makes poor cuts.	Blade is dull or dirty. Blade is wrong type for cut being made. Blade is mounted backwards.	Clean, sharpen, or replace blade. Replace with correct type. Remount blade.
Blade does not lower when turning height/bevel adjusting handwheel.	Dust chute is dirty.	See cleaning instructions in the <i>Maintenance</i> section.
Motor labors in rip cut.	Blade not proper for rip cut.	Change blade; rip blade typically has fewer teeth.
Blade coasts for longer than a few seconds after the saw is turned off.	Electric brake may not be working properly.	Contact customer service.

WARRANTY

RIDGID® HAND HELD AND STATIONARY POWER TOOL 3 YEAR LIMITED SERVICE WARRANTY

Proof of purchase must be presented when requesting warranty service.

Limited to RIDGID® hand held and stationary power tools purchased 2/1/04 and after. This product is manufactured by One World Technologies, Inc. The trademark is licensed from RIDGID, Inc. All warranty communications should be directed to One World Technologies, Inc., attn: RIDGID Hand Held and Stationary Power Tool Technical Service at (toll free) 1-866-539-1710.

90-DAY SATISFACTION GUARANTEE POLICY

During the first 90 days after the date of purchase, if you are dissatisfied with the performance of this RIDGID® Hand Held or Stationary Power Tool for any reason you may return the tool to the dealer from which it was purchased for a full refund or exchange. To receive a replacement tool you must present proof of purchase and return all original equipment packaged with the original product. The replacement tool will be covered by the limited warranty for the balance of the 3 YEAR service warranty period.

WHAT IS COVERED UNDER THE 3 YEAR LIMITED SERVICE WARRANTY

This warranty on RIDGID® Hand Held and Stationary Power Tools covers all defects in workmanship or materials and normal wear items such as brushes, chucks, motors, switches, cords, gears and even cordless batteries in this RIDGID® tool for three years following the purchase date of the tool. Warranties for other RIDGID® products may vary.

HOW TO OBTAIN SERVICE

To obtain service for this RIDGID® tool you must return it; freight prepaid, or take it in to an authorized service center for RIDGID® branded hand held and stationary power tools. You may obtain the location of the authorized service center nearest you by calling (toll free) 1-866-539-1710 or by logging on to the RIDGID® website at powertools.ridgid.com. When requesting warranty service, you must present the original dated sales receipt. The authorized service center will repair any faulty workmanship, and either repair or replace any part covered under the warranty, at our option, at no charge to you.

WHAT IS NOT COVERED

This warranty applies only to the original purchaser at retail and may not be transferred. This warranty only covers defects arising under normal usage and does not cover any malfunction, failure or defect resulting from misuse, abuse, neglect, alteration, modification or repair by other than an authorized service center for RIDGID® branded hand held and stationary power tools. Consumable accessories provided with the tool such as, but not limited to, blades, bits and sand paper are not covered.

RIDGID, INC. AND ONE WORLD TECHNOLOGIES, INC. MAKE NO WARRANTIES, REPRESENTATIONS OR PROMISES AS TO THE QUALITY OR PERFORMANCE OF ITS POWER TOOLS OTHER THAN THOSE SPECIFICALLY STATED IN THIS WARRANTY.

ADDITIONAL LIMITATIONS

To the extent permitted by applicable law, all implied warranties, including warranties of MERCHANTABILITY or FITNESS FOR A PARTICULAR PURPOSE, are disclaimed. Any implied warranties, including warranties of merchantability or fitness for a particular purpose, that cannot be disclaimed under state law are limited to three years from the date of purchase. One World Technologies, Inc. and RIDGID, Inc. are not responsible for direct, indirect, incidental or consequential damages. Some states do not allow limitations on how long an implied warranty lasts and/or do not allow the exclusion or limitation of incidental or consequential damages, so the above limitations may not apply to you. This warranty gives you specific legal rights, and you may also have other rights which vary from state to state.

One World Technologies, Inc.

P.O. Box 1427
Anderson, SC 29622

RÈGLES DE SÉCURITÉ GÉNÉRALES

AVERTISSEMENT :

Lire les avertissements de sécurité, les instructions et les précisions et consulter les illustrations fournis avec cet outil électrique. Le fait de ne pas se conformer à l'ensemble des consignes présentées ci-dessous risque d'entraîner des décharges électriques, un incendie et/ou des blessures graves.

Conservier les avertissements et les instructions à des fins de référence ultérieure. Le terme « outil motorisé », utilisé dans tous les avertissements ci-dessous désigne tout outil fonctionnant sur secteur (câblé) ou sur piles (sans fil).

SÉCURITÉ DU LIEU DE TRAVAIL

- **Garder le lieu de travail propre et bien éclairé.** Les endroits encombrés ou sombres sont propices aux accidents.
- **Ne pas utiliser d'outils électriques dans des atmosphères explosives, par exemple en présence de liquides, gaz ou poussières inflammables.** Les outils électriques produisent des étincelles risquant d'enflammer les poussières ou vapeurs.
- **Garder les enfants et badauds à l'écart pendant l'utilisation d'un outil électrique.** Les distractions peuvent causer une perte de contrôle.

SÉCURITÉ ÉLECTRIQUE

- **Les fiches des outils électriques doivent correspondre à la prise secteur utilisée. Ne jamais modifier la fiche, de quelque façon que ce soit. Ne jamais utiliser d'adaptateurs de fiche avec des outils mis à la terre.** Les fiches et prises non modifiées réduisent le risque de choc électrique.
- **Éviter tout contact du corps avec des surfaces mises à la terre, telles que tuyaux, radiateurs, cuisinières et réfrigérateurs.** Le risque de choc électrique est accru lorsque le corps est mis à la terre.
- **Ne pas exposer les outils électriques à l'eau ou l'humidité.** La pénétration d'eau dans ces outils accroît le risque de choc électrique.
- **Ne pas maltraiter le cordon d'alimentation. Ne jamais utiliser le cordon d'alimentation pour transporter l'outil et ne jamais débrancher ce dernier en tirant sur le cordon. Garder le cordon à l'écart de la chaleur, de l'huile, des objets tranchants et des pièces en mouvement.** Un cordon endommagé ou emmêlé accroît le risque de choc électrique.
- **Pour les travaux à l'extérieur, utiliser un cordon spécialement conçu à cet effet.** Utiliser un cordon conçu pour l'usage extérieur pour réduire les risques de choc électrique.
- **S'il est nécessaire d'utiliser l'outil électrique dans un endroit humide, employer un dispositif interrupteur de défaut à la terre (GFCI).** L'utilisation d'un GFCI réduit le risque de décharge électrique.

SÉCURITÉ PERSONNELLE

- **Rester attentif, prêter attention au travail et faire preuve de bon sens lors de l'utilisation de tout outil électrique. Ne pas utiliser cet outil en état de fatigue ou sous l'influence de l'alcool, de drogues ou de médicaments.** Un moment d'inattention pendant l'utilisation d'un outil électrique peut entraîner des blessures graves.
- **Utiliser l'équipement de sécurité. Toujours porter une protection oculaire.** L'équipement de sécurité, tel qu'un masque filtrant, de chaussures de sécurité, d'un casque ou d'une protection auditive, utilisé dans des conditions appropriées réduira le risque de blessures.
- **Éviter les démarrages accidentels. S'assurer que le commutateur est en position d'arrêt avant de brancher l'outil et/ou bloc-piles.** Porter un outil avec le doigt sur son commutateur ou brancher un outil dont le commutateur est en position de marche peut causer un accident.
- **Retirer les clés de réglage avant de mettre l'outil en marche.** Une clé laissée sur une pièce rotative de l'outil peut causer des blessures.
- **Ne pas travailler hors de portée. Toujours se tenir bien campé et en équilibre.** Ceci permettra de mieux contrôler l'outil en cas de situation imprévue.
- **Porter une tenue appropriée. Ne porter ni vêtements amples, ni bijoux. Garder les cheveux, les vêtements et les gants à l'écart des pièces en mouvement.** Les vêtements amples, bijoux et cheveux longs peuvent se prendre dans les pièces en mouvement.
- **Si les outils sont équipés de dispositifs de dépoussiérage, s'assurer qu'ils sont connectés et correctement utilisés.** L'usage de ces dispositifs de dépoussiérage peut réduire les dangers présentés par la poussière.
- **Malgré votre expérience acquise par l'utilisation fréquente des outils, soyez toujours vigilant et respectez les principes de sécurité relatifs aux outils.** Il s'agit d'une fraction de seconde pour qu'un geste irréfléchi puisse causer de graves blessures.

UTILISATION ET ENTRETIEN DES OUTILS ÉLECTRIQUES

- **Ne pas forcer l'outil. Utiliser l'outil approprié pour l'application.** Un outil approprié exécutera le travail mieux et de façon moins dangereuse s'il est utilisé dans les limites prévues.
- **Ne pas utiliser l'outil si le commutateur ne permet pas de le mettre en marche ou de l'arrêter.** Tout outil qui ne peut pas être contrôlé par son commutateur est dangereux et doit être réparé.
- **Avant de procéder à un réglage, à un changement d'accessoire ou au rangement de l'outil, débranchez la prise de la source d'alimentation ou, si le bloc-piles est amovible, retirez-le de l'outil.** Ces mesures de sécurité préventives réduisent les risques de démarrage accidentel de l'outil.
- **Ranger les outils motorisés hors de la portée des enfants et ne laisser personne n'étant pas familiarisé avec l'outil**

RÈGLES DE SÉCURITÉ GÉNÉRALES

ou ces instructions utiliser l'outil. Dans les mains de personnes n'ayant pas reçu des instructions adéquates, les outils sont dangereux.

- **Entretien des outils motorisés et accessoires. Vérifier qu'aucune pièce mobile n'est mal alignée ou bloquée, qu'aucune pièce n'est brisée et s'assurer qu'aucun autre problème ne risque d'affecter le bon fonctionnement de l'outil. En cas de dommages faire réparer l'outil avant de l'utiliser de nouveau.** Beaucoup d'accidents sont causés par des outils mal entretenus.
- **Garder les outils bien affûtés et propres.** Des outils correctement entretenus et dont les tranchants sont bien affûtés risquent moins de se bloquer et sont plus faciles à contrôler.
- **Utiliser l'outil, les accessoires et embouts, etc. conformément à ces instructions pour les applications**

pour lesquelles ils sont conçus, en tenant compte des conditions et du type de travail à exécuter. L'usage d'un outil motorisé pour des applications pour lesquelles il n'est pas conçu peut être dangereux.

- **Gardez les poignées et les surfaces de prise sèches, propres et exemptes d'huile et de graisse.** Des poignées et des surfaces de prise glissantes empêchent la manipulation et le contrôle sécuritaires de l'outil dans des circonstances imprévues.

DÉPANNAGE

- **Les réparations doivent être confiées à un technicien qualifié, utilisant exclusivement des pièces identiques à celles d'origine.** Ceci assurera le maintien de la sécurité de l'outil.

RÈGLES DE SÉCURITÉ SCIE À TABLE

PROTÈGE-LAME, COUTEAU DIVISEUR ET CLIQUETS ANTIREBOND

- **Laisser les protecteurs en place. Les protecteurs doivent être en bon état de marche et être bien installés.** Un protecteur lâche, endommagé ou qui ne fonctionne pas correctement doit être réparé ou remplacé.
- **Toujours utiliser le protège-lame, le couteau diviseur et les cliquets antirebond pour chaque coupe complète.** Pour les coupes complètes où la lame coupe l'épaisseur entière de la pièce à travailler, le protecteur et les autres dispositifs de sécurité aident à réduire le risque de blessures.
- **Immédiatement rattacher le système de protection après une coupe (tels que les biseaux, les rainures ou les refentes) qui requiert d'enlever le protecteur, le couteau diviseur ou les cliquets antirebond.** Le protège-lame, le couteau diviseur et les cliquets antirebond aident à réduire le risque de blessures.
- **S'assurer que la lame ne touche pas au protège-lame, au couteau diviseur ou à la pièce à travailler avant d'allumer l'interrupteur.** Un contact accidentel de ces éléments avec la lame pourrait causer des conditions dangereuses.
- **Ajuster le couteau diviseur conformément aux instructions du manuel.** Un mauvais espacement, positionnement ou alignement peut rendre le couteau diviseur inefficace en réduisant la probabilité d'un rebond.
- **Pour que le couteau diviseur et les cliquets antirebond fonctionnent, ils doivent être pris dans la pièce à travailler.** Le couteau diviseur et les cliquets antirebond sont inefficaces lorsqu'on coupe des pièces à travailler trop petites pour être prises avec le couteau diviseur et les cliquets antirebond. Sous ces conditions, un rebond ne peut être empêché par couteau diviseur et les cliquets antirebond.
- **Utiliser la bonne lame pour le couteau diviseur.** Pour que le couteau diviseur fonctionne correctement, le diamètre de la lame doit correspondre au bon couteau, le corps de la lame doit être plus étroit que l'épaisseur du couteau et

l'épaisseur de la coupe de la lame doit être plus large que l'épaisseur du couteau.

PROCÉDURES DE COUPE

- **DANGER : Ne jamais placer les doigts ou les mains à proximité de la lame ou dans la ligne de coupe.** Un moment d'inattention ou un glissement peut diriger votre main vers la lame, ce qui peut provoquer des blessures graves.
- **Pousser la pièce à travailler vers la lame dans le sens inverse de la rotation.** Pousser la pièce à travailler dans la même direction que la rotation de la lame au-dessus de la table peut tirer la pièce, et votre main, vers la lame.
- **Ne jamais utiliser un guide d'onglet pour pousser le morceau la pièce à travailler lors de la refente et ne pas utiliser le guide longitudinal comme arrêt de longueur lorsqu'on coupe transversalement avec le guide d'onglet.** Guider la pièce à travailler à la fois avec le guide longitudinal et le guide d'onglet augmente la probabilité de grippage et de rebond.
- **Lors de la refente, toujours appliquer la force pour pousser la pièce à travailler entre le guide et la lame. Utiliser un poussoir lorsque la distance entre le guide et la lame est inférieure à 150 mm, et utiliser un bloc poussoir lorsque la distance est inférieure à 50 mm.** Les dispositifs d'aide au travail garderont vos mains à une distance sécuritaire de la lame.
- **Utiliser seulement le poussoir fourni par le fabricant ou construit conformément aux instructions.** Ce poussoir offre une distance suffisante entre la main et la lame.
- **Ne jamais utiliser un poussoir endommagé ou coupé.** Un poussoir endommagé peut briser et faire glisser votre main sur la lame.
- **Ne pas faire de coupe « à main levée ». Toujours utiliser le guide longitudinal ou le guide d'onglet pour placer et guider la pièce à travailler.** « À main levée » signifie l'utilisation des mains pour soutenir ou guider la pièce à travailler au lieu d'un guide longitudinal ou d'onglet. La coupe « à main

RÈGLES DE SÉCURITÉ SCIE À TABLE

levée » provoque un mauvais alignement, du grippage et un rebond.

- **Ne jamais tenter de passer autour ou par-dessus une lame qui tourne.** Tenter d'atteindre la pièce à travailler ainsi peut provoquer un contact accidentel avec la lame en mouvement.
- **Assurer un soutien auxiliaire pour la pièce à travailler à l'arrière ou sur les côtés de la scie à table pour les morceaux longs ou larges pour qu'ils restent de niveau.** Les pièces à travailler longues ou larges ont tendance à pivoter sur le bord de la table, provoquant une perte de contrôle, ou un grippage ou un rebond de la lame.
- **Pousser la pièce à travailler à une vitesse égale. Ne pas plier ou tourner la pièce à travailler. Si un blocage survient, éteindre immédiatement l'outil, le débrancher et dégager le blocage.** Un blocage de la lame en raison du morceau peut provoquer un rebond ou faire caler le moteur.
- **Ne pas retirer les morceaux de matériau coupé pendant que la lame tourne.** Le matériau peut rester coincé entre le guide ou l'intérieur du protège-lame et la lame, tirant vos doigts vers la lame. Éteindre la scie et attendre que la lame cesse de bouger avant de retirer le matériau.
- **Utiliser un guide auxiliaire en contact avec le dessus de la table lors de la refente de pièces à travailler de moins de 2 mm d'épaisseur.** Une pièce à travailler mince peut se coincer sous le guide longitudinal et créer un rebond.

REBOND

Le rebond est une réaction soudaine de la pièce à travailler en raison d'une lame coincée, pincée ou d'une ligne de coupe mal alignée avec la lame, ou lorsqu'une partie de la pièce à travailler gripe entre la lame et le guide longitudinal ou un autre objet fixe.

Plus fréquemment durant un rebond, la pièce à travailler est soulevée de la table par la portion arrière de la lame et projetée vers l'utilisateur.

Le rebond est le résultat d'une mauvaise utilisation ou de procédures d'utilisation ou de conditions incorrectes, et peut être évité en prenant les précautions nécessaires énumérées ci-dessous.

- **Ne jamais se tenir directement aligné avec la lame. Toujours placer le corps du même côté de la lame que le guide.** Un rebond peut propulser la pièce à travailler à grande vitesse vers quiconque se tient devant et aligné avec la lame.
- **Ne jamais tenter de passer par-dessus ou vers l'arrière de la lame pour tirer ou soutenir la pièce à travailler.** Un contact accidentel avec la lame peut se produire ou un rebond peut attirer vos doigts sur la lame.
- **Ne jamais tenir la pièce à travailler et appuyer dessus contre la lame en mouvement.** Appuyer la pièce à travailler contre la lame crée un grippage et un rebond.
- **Aligner le guide afin qu'il soit parallèle avec la lame.** Un guide mal aligné peut pincer la pièce à travailler contre la lame et causer un rebond.
- **Utiliser un guide de pression pour guider la pièce à travailler contre la table et le guide lorsqu'on fait des coupes non complètes, par exemple pour les biseaux,**

les rainures ou les refentes. Un guide de pression aide à contrôler la pièce à travailler s'il y a un rebond.

- **Faire très attention lorsqu'on procède à une coupe dans les zones cachées des pièces à travailler assemblées.** La lame peut couper des objets qui provoqueront un rebond.
- **Soutenir les grands panneaux afin de minimiser le risque de pinçage et de rebond.** Les grands panneaux ont tendance à fléchir sous leur propre poids. Placer des soutiens sous toutes les portions du panneau qui dépassent de la table.
- **Faire très attention lorsqu'on coupe une pièce à travailler qui est tordue ou gauchie, qui contient des nœuds ou qui n'a pas un bord droit pour guider avec un guide d'onglet ou longitudinal.** Une pièce à travailler qui est tordue ou gauchie ou qui contient des nœuds est instable et cause un désalignement du trait de coupe, du grippage et des rebonds.
- **Ne jamais couper plus d'une pièce à travailler, empilées verticalement ou horizontalement.** La lame pourrait agripper une ou plusieurs pièces et provoquer un rebond.
- **Lorsqu'on redémarre la scie avec la lame dans la pièce à travailler, centrer la lame sur le trait de coupe afin que les dents de la lame ne soient pas prises dans le matériau.** Si la scie gripe, elle peut soulever la pièce à travailler et provoquer un rebond lorsque la lame est redémarrée.
- **Garder les lames propres, affûtées et bien installées. Ne jamais utiliser de lames gauchies ou qui ont des dents craquées ou brisées.** Les lames affûtées et bien installées minimisent le grippage, le calage et le rebond.

FONCTIONNEMENT DE LA SCIE À TABLE

- **Éteindre la scie à table et débrancher le cordon d'alimentation lorsqu'on retire la plaque de lumière, qu'on change la lame ou qu'on fait des ajustements au couteau diviseurs, aux cliquets antirebond ou au protège-lame, et lorsque l'appareil est laissé sans surveillance.** Ces mesures de précaution éviteront des accidents.
- **Ne jamais laisser la scie à table en marche sans surveillance. Éteindre l'outil et ne pas le laisser tant que la lame n'est pas complètement arrêtée.** Une scie qui fonctionne sans surveillance est un danger non contrôlé.
- **Placer la scie à table dans un endroit bien éclairé et de niveau, où on peut avoir pied et garder un bon équilibre. Elle devrait être installée dans un endroit assez spacieux pour facilement manipuler la taille de la pièce à travailler.** Les endroits restreints et sombres, et même les planchers glissants, appellent les accidents.
- **Nettoyer et retirer la sciure régulièrement de sous la scie à table ou du dépoussiéreur.** La sciure est un combustible et peut s'enflammer.
- **La scie à table doit être fixe.** Une scie à table qui n'est pas bien fixée peut bouger ou basculer.
- **Retirer les outils, les bouts de bois, etc. de la table avant d'allumer la scie.** Une distraction ou un blocage potentiel peuvent être dangereux.
- **Toujours utiliser les lames avec les bonnes taille et forme (en diamant vs ronde) des trous de l'arbre.** Les lames qui ne correspondent pas aux éléments de fixation de la scie

RÈGLES DE SÉCURITÉ SCIE À TABLE

tourneront de manière déportée, provoquant une perte de contrôle.

- **Ne jamais utiliser un élément de fixation, soit un collet, une rondelle de lame, un écrou ou un boulon, endommagé ou incorrect.** Ces éléments sont conçus particulièrement pour la scie, pour un fonctionnement sécuritaire et un rendement optimal.




- **Ne jamais se tenir debout sur la scie à table, ne pas l'utiliser comme tabouret.** Si l'outil bascule ou qu'on entre en contact accidentellement avec la lame, des blessures graves pourraient survenir.
- **S'assurer que la lame est installée pour tourner dans la bonne direction. Ne pas utiliser de meules, de brosse métallique ou de roue de ponçage sur une scie à table.** Une lame mal installée ou l'utilisation d'accessoires non recommandés peut causer des blessures graves.

RÈGLES DE SÉCURITÉ SUPPLÉMENTAIRES







- **Veiller à bien connaître l'outil.** Lire attentivement le manuel d'utilisation. Apprendre les applications et les limites de la scie, ainsi que les risques spécifiques relatifs à son utilisation.
- **Assurer la sécurité des enfants en installant des cadenas et des disjoncteurs ou en retirant les clés de contact.**
- **Utiliser un cordon prolongateur adéquat.** S'assurer que le cordon prolongateur est en bon état. Utiliser exclusivement un cordon d'une capacité suffisante pour supporter le courant de fonctionnement de l'outil. Un cordon de capacité insuffisante causerait une baisse de la tension de ligne, entraînant une perte de puissance et une surchauffe. Un calibre de fil (A.W.G) d'au minimum **14** est recommandé pour un cordon prolongateur de 7,5 m (25 pi) ou moins. En cas de doute, utiliser un cordon du calibre immédiatement supérieur. Moins le numéro de calibre est élevé, plus la capacité du fil est grande.
- **Toujours porter une protection oculaire avec écrans latéraux certifiée conforme à la norme ANSI Z87.1.** Si cette précaution n'est pas prise, des objets peuvent être projetés dans les yeux et causer des lésions graves.
- **Assujettir les pièces.** Dans la mesure du possible, utiliser des serre-joints ou un étau pour maintenir la pièce. Cette pratique réduit les risques et laisse les deux mains libres.
- **Utiliser les accessoires recommandés.** Voir les accessoires recommandés dans le manuel d'utilisation. L'utilisation d'accessoires inadéquats peut causer des blessures.
- **N'utiliser que les lames appropriées.** Ne pas utiliser de lames dont le trou n'est pas de la taille correcte. Ne jamais utiliser de rondelles ou boulons de lame défectueux ou de type incorrect. La taille maximum de lame pouvant être utilisée sur cette scie est de 254 mm (10 po).
- **Vérifier l'état des pièces.** Avant d'utiliser l'outil de nouveau examiner soigneusement les pièces et dispositifs de protection qui semblent endommagés afin de déterminer s'ils fonctionnent correctement et s'ils remplissent les fonctions prévues. Vérifier l'alignement des pièces mobiles, s'assurer qu'aucune pièce n'est bloquée ou cassée, vérifier la fixation de chaque pièce et s'assurer qu'aucun autre problème ne risque d'affecter le bon fonctionnement de l'outil. Pour éviter les risques de blessures, toute protection ou pièce endommagée doit être correctement réparée ou remplacée dans un centre de réparations agréé.
- **Ne jamais laisser l'outil en fonctionnement sans surveillance.** Couper l'alimentation électrique. Ne pas s'éloigner de l'outil avant qu'il soit parvenu à un arrêt complet.
- **Porter une protection respiratoire.** Porter un masque facial ou respiratoire si le travail produit de la poussière.
- **Porter une protection auditive.** Porter une protection auditive durant les périodes d'utilisation prolongée.
- **Pour les travaux à l'extérieur, utiliser un cordon spécialement conçu à cet effet, marqué « W-A » ou « W ».** Ces cordons réduisent les risques de choc électrique.
- **Toujours garder la garde de lame et l'couteau diviseur (diviseur) en place et en bon état de fonctionnement.**
- **Garder les mains à l'écart de la zone de coupe.** Garder les mains à l'écart des lames. Ne pas mettre les mains sous le travail, ou autour ou au dessus de la lame lorsqu'elle est en rotation. Ne pas essayer de retirer une pièce coupée pendant que la lame est en rotation.
- **Éviter les opérations difficiles et les positions de mains incommodes qui, en cas de glissement, pourraient placer votre main contre la lame.**
- **Ne pas atteindre la zone derrière la lame avec une main depuis les deux côtés de la lame de scie, pour soutenir la pièce à travailler, retirer les bouts de bois ou toute autre raison lorsque la lame tourne.**
- **La scie à table doit être installée sur un plan de travail ferme, tel qu'un établi ou un support à pieds qui positionne la scie à la hauteur de la taille.** De plus, fournir un support adéquat tel que des tables auxiliaires, des tables de soutien à rouleaux, des supports de sortie, etc., lors de la découpe de pièces lourdes, larges ou longues. Les pièces à travailler qui sont lourdes, larges ou longues peuvent basculer, si elles ne sont pas soutenues en toute sécurité. Si la pièce à travailler ou à découper bascule, elle peut soulever le protège-lame ou être projetée par la lame tournante.
- **Si la pièce à travailler ou la lame se bloque, éteindre la scie à table.** Attendre que toutes les pièces mobiles s'arrêtent et débrancher la prise de sa source d'alimentation. Libérer ensuite les matériaux coincés. Une fois les matériaux retirés, vérifier que la lame est parallèle à la rainure du guide à onglet et que le couteau diviseur et la lame sont alignés. Si un blocage a lieu pendant une coupe longitudinale, vérifier que le guide longitudinal est parallèle à la lame. Ajuster au besoin.

SYMBOLS

Les termes de mise en garde suivants et leur signification ont pour but d'expliquer le degré de risques associé à l'utilisation de ce produit.

SYMBOLE	SIGNAL	SIGNIFICATION
	DANGER :	Indique une situation dangereuse qui, si elle n'est pas évitée, aura pour conséquences des blessures graves ou mortelles.
	AVERTISSEMENT :	Indique une situation dangereuse qui, si elle n'est pas évitée, pourrait entraîner des blessures graves ou mortelles.
	ATTENTION :	Indique une situation dangereuse qui, si elle n'est pas évitée, pourrait entraîner des blessures légères ou de gravité modérée.
	AVIS :	(Sans symbole d'alerte de sécurité) Indique les informations jugées importantes sans toutefois représenter un risque de blessure (ex. : messages concernant les dommages matériels).

Certains des symboles ci-dessous peuvent être utilisés sur l'outil. Veiller à les étudier et à apprendre leur signification. Une interprétation correcte de ces symboles permettra d'utiliser l'outil plus efficacement et de réduire les risques.

SYMBOLE	NOM	DÉSIGNATION / EXPLICATION
	Symbole d'alerte de sécurité	Indique un risque de blessure potentiel.
	Lire le manuel d'utilisation	Pour réduire les risques de blessures, l'utilisateur doit lire et veiller à bien comprendre le manuel d'utilisation avant d'utiliser ce produit.
	Protection oculaire	Toujours porter une protection oculaire avec écrans latéraux certifiée conforme à la norme ANSI Z87.1.
	Symbole Mains à l'écart	Le non-respect de cette mise en garde peut entraîner des blessures graves.
	Avertissement concernant l'humidité	Ne pas exposer à la pluie ou l'humidité.
V	Volts	Tension
A	Ampères	Intensité
Hz	Hertz	Fréquence (cycles par seconde)
min	Minutes	Temps
~	Courant alternatif	Type de courant
n_0	Vitesse à vide	Vitesse de rotation à vide
	Construction de classe II	Construction à double isolation
.../min	Par minute	Tours, coups, vitesse périphérique, orbites, etc., par minute

ELECTRICAL

DOUBLE ISOLATION

La double isolation est un dispositif de sécurité utilisé sur les outils à moteur électriques, éliminant le besoin de cordon d'alimentation habituel à trois fils avec terre. Toutes les pièces métalliques exposées sont isolées des composants internes du moteur par l'isolation protectrice. Les outils à double isolation ne nécessitent pas de mise à la terre.

⚠ AVERTISSEMENT :

Le système à double isolation est conçu pour protéger l'utilisateur contre les chocs électriques causés par une rupture du câblage interne de l'outil. Prendre toutes les précautions de sécurité normales pour éviter les chocs électriques.

NOTE : La réparation d'un outil à double isolation exigeant des précautions extrêmes ainsi que la connaissance du système, elle ne doit être confiée qu'à un réparateur qualifié. En ce qui concerne les réparations, nous recommandons de confier l'outil au centre de réparation le plus proche. Utiliser exclusivement des pièces d'origine pour les réparations.

CONNEXIONS ÉLECTRIQUES

Cet outil est équipé d'un moteur électrique de précision. Il doit être branché uniquement sur **une alimentation 120 V, c.a. (courant résidentiel standard), 60 Hz**. Ne pas utiliser cet outil sur une source de courant continu (c.c.). Une chute de tension importante causerait une perte de puissance et une surchauffe du moteur. Si l'outil ne fonctionne pas une fois branché, vérifier l'alimentation électrique.

FICHES POLARISÉES

Voir la figure 1.

Pour réduire les risques de choc électrique, cet outil est équipé d'une fiche polarisée (une broche est plus large que l'autre). Cette fiche ne peut être branchée sur une prise polarisée que dans un sens. Si la fiche ne peut pas être insérée dans la prise, l'inverser. Si elle ne peut toujours pas être insérée, faire installer une prise adéquate par un électricien qualifié. Ne pas modifier la fiche, de quelque façon que ce soit.

CORDONS PROLONGATEURS

Lors de l'utilisation d'un outil électrique à grande distance d'une prise secteur, veiller à utiliser un cordon prolongateur d'une capacité suffisante pour supporter l'appel de courant de l'outil. Un cordon de capacité insuffisante causerait une baisse de la tension de ligne, entraînant une perte de puissance et une surchauffe. Se reporter au tableau ci-dessous pour déterminer le calibre minimum de fil requis pour un cordon donné. Utiliser exclusivement des cordons à gaine cylindrique homologués par Underwriter's Laboratories (UL).

Pour le travail à l'extérieur, utiliser un cordon prolongateur spécialement conçu à cet effet. Ce type de cordon porte l'inscription « WA » ou « W » sur sa gaine.

Avant d'utiliser un cordon prolongateur, vérifier que ses fils ne sont ni détachés ni exposés et que son isolation n'est ni coupée, ni usée.

**Intensité nominale (sur la plaquette signalétique de l'outil)

0-2.0 2.1-3.4 3.5-5.0 5.1-7.0 7.1-12.0 12.1-16.0

Longueur du cordon	Calibre de fil (A.W.G.)					
	16	16	16	16	14	14
25'	16	16	16	16	14	14
50'	16	16	16	14	14	12
100'	16	16	14	12	10	—

**Utilisé sur circuit de calibre 12 – 20 A

NOTE: AWG = American Wire Gauge

⚠ AVERTISSEMENT :

Maintenir le cordon prolongateur à l'écart de la zone de travail. Lors du travail avec un cordon électrique, placer le cordon de manière à ce qu'il ne risque pas de se prendre dans les pièces de bois, outils et autres obstacles. Ne pas prendre cette précaution peut entraîner des blessures graves.

⚠ AVERTISSEMENT :

Vérifier l'état des cordons prolongateurs avant chaque utilisation. Remplacer immédiatement tout cordon endommagé. Ne jamais utiliser un outil dont le cordon d'alimentation est endommagé, car tout contact avec la partie endommagée pourrait causer un choc électrique et des blessures graves.

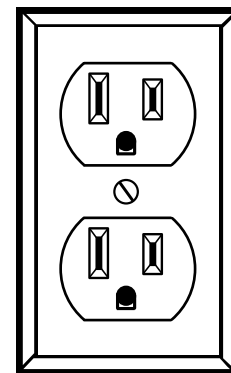
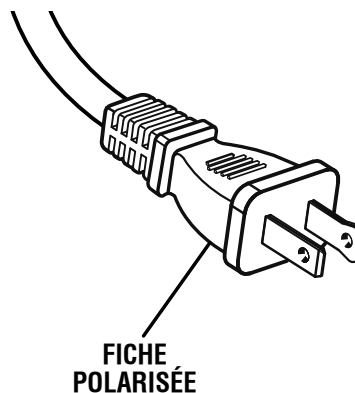


Fig. 1

GLOSSAIRE

Griffes antirebond (scies à table et radiales)

Dispositifs qui, s'ils sont correctement installés et entretenus, sont conçus pour empêcher que la pièce coupée soit propulsée en direction de l'opérateur durant la refente.

Axe

Pièce sur laquelle une lame ou un outil de coupe est monté.

Coupe en biseau

Coupe effectuée avec la lame sur toute position autre que perpendiculaire (90°) à la table.

Chanfrein

Coupe en biseau effectuée sur l'extrémité (ou une partie de l'extrémité) d'une pièce, de manière à ce qu'il présente un angle autre que 90°.

Coupe composée

Coupe transversale présentant un angle d'onglet et un angle de biseau.

Coupe transversale

Coupe ou profilage effectué en travers du grain de la pièce.

Tête de coupe (raboteuses et raboteuses/dégauchisseuses)

Pièce rotative munie de lames réglables. La tête de coupe enlève du matériau de la pièce.

Rainage (scies à table et scies à onglets composés)

Entaille qui produit une rainure ou gorge de forme rectangulaire dans la pièce de bois.

Cale-guide (scies à table)

Dispositif utilisé pour faciliter le contrôle de la pièce à couper en la guidant contre la table ou le guide lors des coupes longitudinales.

pi/min ou coups/min

Nombre de pieds par minute (ou coups par minute). Terme utilisé en référence au mouvement de la lame.

Main levée

Exécution d'une coupe sans que la pièce soit soutenue par un guide longitudinal, un guide d'onglet ou autre dispositif.

Gomme

Résidu collant formé par la sève du bois.

Talon

Alignement de la lame par rainure du guide à onglet.

Trait de scie

Quantité de matériau éliminé par la lame lors de coupes traversantes ou l'entaille produite lors de coupes non traversantes ou partielles.

Rebond

Réaction dangereuse se produisant lorsque la lame est pincée ou bloquée et projetant la pièce en train d'être coupée dans le sens de la rotation de la lame.

Coupe d'onglet

Coupe effectuée avec la lame sur toute position autre que perpendiculaire (90°) à la table.

Coupes non traversantes (scies à table et scies à onglets composés)

Toute coupe avec laquelle la lame ne traverse pas complètement la pièce. Il s'agit de faire une coupe sans que la lame coupe la pièce à travailler en deux.

Trou pilote (perceuses à colonne et scie à découper)

Petit trou pratiqué dans une pièce servant de guide pour assurer la précision d'un trou de plus grand diamètre ou pour l'insertion d'une lame de scie à découper.

Blocs poussoirs (dégauchisseuses/raboteuses)

Dispositifs utilisés pour pousser le matériau contre la tête de coupe lors de toute opération. Ce dispositif aide à tenir la main de l'opérateur bien à l'écart de la lame.

Blocs poussoirs et bâtons poussoirs (scies à table)

Dispositifs utilisés pour pousser le matériau contre la lame lors de la coupe. Un bâton poussoir (pas un bloc poussoir) doit être utilisé pour la refente de pièces étroites. Ce dispositif aide à tenir la main de l'opérateur bien à l'écart de la lame.

Feuillure

Entaille située au bout ou sur le bord de la pièce de bois qui y produit une rainure ou une gorge de forme rectangulaire.

Refente (scies à table et scies à ruban)

Opération de coupe destinée à réduire l'épaisseur d'une pièce pour en produire plusieurs, plus minces.

Résine

Résidu collant formé par la sève du bois durcie.

Révolutions par minute (min ou RPM)

Nombre de rotations effectuées par un objet en une minute.

Coupe longitudinale ou refente (scies à table)

Opération de coupe dans le sens de la longueur de la pièce et normalement dans le sens du grain du bois.

Couteau diviseur/écarteur (scies à table)

Pièce de métal légèrement plus mince que la lame, gardant le trait de scie ouvert pour empêcher le rebond.

Trajectoire de la lame de scie

Zone au-dessus, au-dessous, en avant ou en arrière de la lame. En ce qui concerne la pièce, la partie qui sera ou a été coupée par la lame.

Sifflet (raboteuses)

Enfoncement à l'extrémité d'une pièce causé par les lames de la tête de coupe lorsque la pièce n'est pas correctement soutenue.

Effiler la Coupe

Une coupe où le matériel est coupé à une ancho différente au début de la coupe de la fin.

Coupe traversante

Toute opération de coupe avec laquelle la lame traverse toute l'épaisseur de la pièce.

Pièce ou matériau

L'article sur lequel le travail est effectué.

Table

Surface sur laquelle la pièce repose lors des opérations de coupe, de perçage, de rabotage ou de ponçage.

CARACTÉRISTIQUES

FICHE TECHNIQUE

Axe de lame.....16 mm (5/8 po)
Diamètre de la lame.....254 mm (10 po)
Inclinaison biseau.....0° - 45°
Valeurs nominales 120 V~, 15 A, 60 Hz

Vitesse à vide 5 000/min (RPM)
Profondeur de coupe à 0° 79,4 mm (3-1/8 po)
Profondeur de coupe à 45° 57,2 mm (2-1/4 po)

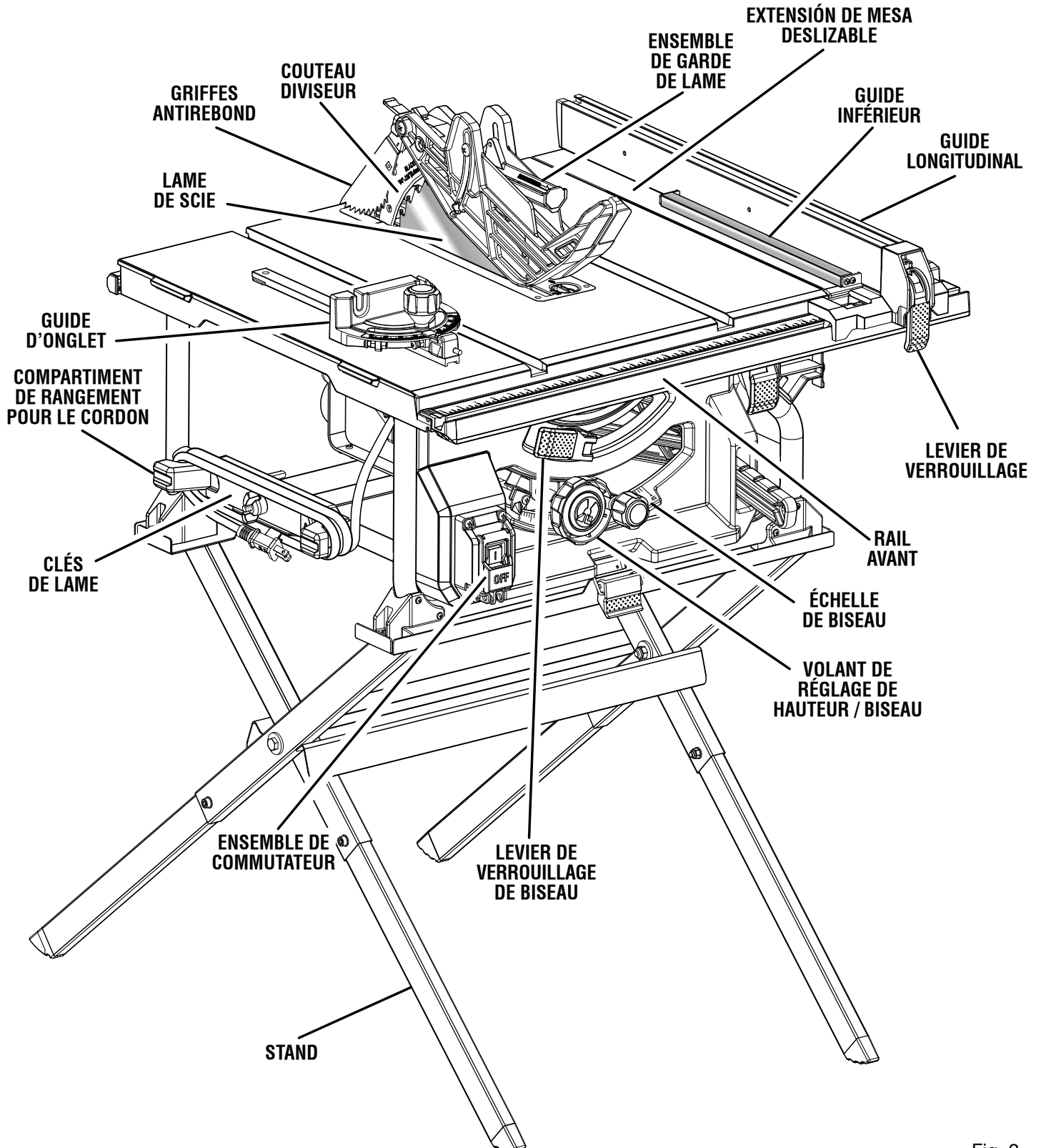


Fig. 2

CARACTÉRISTIQUES

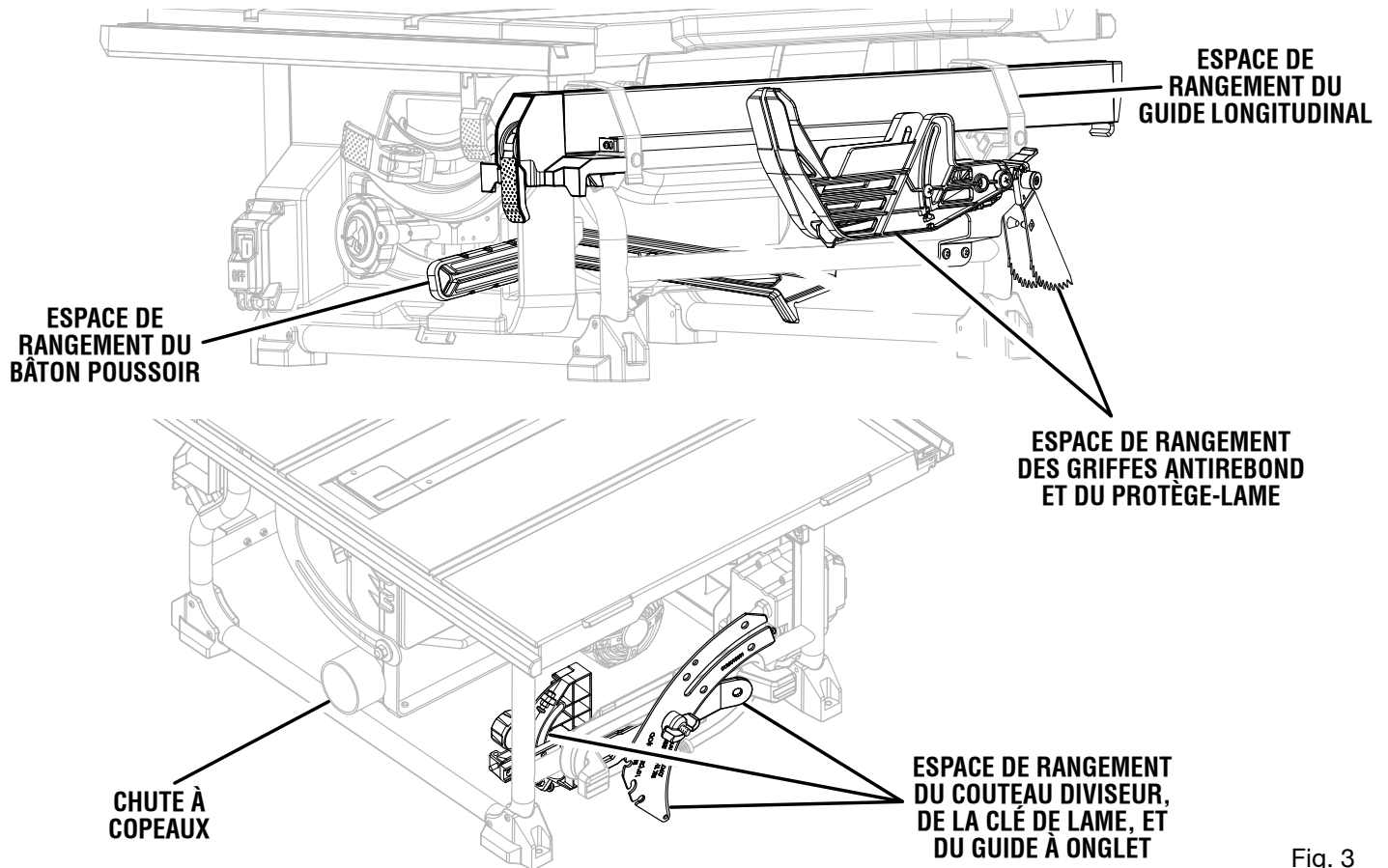


Fig. 3

POUR SE FAMILIARISER AVEC LA SCIE À TABLE

Voir les figures 2 et 3.

L'utilisation sûre de ce produit exige une compréhension des renseignements figurant sur l'outil et contenus dans le manuel d'utilisation, ainsi qu'une bonne connaissance du projet entrepris. Avant d'essayer d'utiliser ce produit, se familiariser avec toutes ses fonctions et tous ses dispositifs de sécurité.

RANGEMENT DES ACCESSOIRES - Des espaces de rangement pratiques pour le bâton poussoir, le couteau diviseur, les clés, le protège-lame, le guide à onglet, les griffes antirebond et le guide longitudinal se trouve sous la table à scie.

GRIFFES ANTIREBOND - Le rebond pose un danger : la pièce de bois est projetée vers l'utilisateur. Les dents des détachable griffes antirebond sont orientées à l'écart de la pièce. Si la pièce est tirée en direction de l'opérateur, les griffes mordent dans le bois pour empêcher ou réduire le rebond.

LEVIER DE VERROUILLAGE DE BISEAU - Ce levier, placé juste au-dessous de la surface de la table de travail à l'avant du scie, verrouille le réglage d'angle de la lame.

ÉCHELLE DE BISEAU - L'échelle facile à lire du devant du scie indique l'angle exact de la lame.

LAME - Pour le fonctionnement optimal, il est recommandé d'utiliser la lame de 254 mm (10 po) au carbure dents à usages multiples fournie avec votre scie. La lame est élevée et abaissée au moyen du volant de réglage de hauteur / biseau. Les angles de biseau sont verrouillés au moyen du levier de verrouillage de biseau. Des lames supplémentaires de même haute qualité

sont disponibles pour des tâches spécifiques telles que le sciage en long. Vous pouvez trouver toute l'information chez votre concessionnaire local.

La trait de scie lame doit être dans les limites affranchies sur le couteau diviseur.

⚠ AVERTISSEMENT :

Ne pas utiliser de lames dont la vitesse de rotation nominale est inférieure à celle de l'outil. Le non-respect de cet avertissement pourrait entraîner des blessures graves.

GARDE DE LAME - Toujours laisser la détachable garde de lame abaissée sur la lame pour des coupes transversales.

FREIN ÉLECTRIQUE - Un frein électrique est fourni pour arrêter la rotation de la lame après avoir éteint la scie.

VOLANT DE RÉGLAGE DE HAUTEUR / BISEAU - Situé sur le devant du scie, ce volant permet d'abaisser et relever la lame pour effectuer les réglages ou les remplacements et pour l'ajustement des angles de biseau.

GUIDE D'ONGLET - Le guide d'onglet aligne le pièce pour les coupes transversales. Le rapporteur facile à lire indique l'angle exact pour la coupe de l'onglet et présente des butées fixes à 90 et 45°.

RAINURES DE GUIDE D'ONGLET - Le guide d'onglet se déplace dans les rainures de la table de scie.

CARACTÉRISTIQUES

GUIDE LONGITUDINAL - Un robuste guide métallique, verrouillé par une poignée, guide la pièce à couper. Des rainures s'étendent sur le haut et les côtés du guide longitudinal pour permettre l'utilisation de serre-joints et d'accessoires optionnels.

NOTE : Le guide inférieur doit faire face à la lame seulement pour couper un matériau avec une épaisseur égale ou inférieure à 19,05 mm (3/4 po).

ÉCHELLE DE REFENTE - Sur le rail avant, l'échelle de refente facile à lire donne des mesures précises pour les coupes longitudinales.

COUTEAU DIVISEUR - Pièce de détachable métal de l'ensemble de garde de lame, légèrement plus mince que la lame, gardant le trait de scie ouvert pour empêcher le rebond. Quand dans le hors du passage tête de coupe, ou « en haut » la position, le c'est plus haut que la lame de scie. Quand dans le coupes non traversante, ou « en bas » la position, le c'est au dessous des dents de lame de scie.

RALLONGES DE TABLE COULISSANTES - Situées de chaque côté de la table de scie, ces rallonges procurent un support additionnel lors de la coupe de pièces larges.

DÉMARRAGE en douceur - Cette scie est dotée d'un dispositif de démarrage EN DOUCEUR. CE DISPOSITIF amène progressivement le moteur à sa vitesse de fonctionnement en réduisant de façon électronique la charge et le couple au démarrage. LE DÉMARRAGE en douceur minimise la possibilité d'un déclenchement des disjoncteurs.

ENSEMBLE DE COMMUTATEUR - La scie à table est dotée d'un ensemble de commutateur facile d'accès se trouvant au-dessous du rail avant. Pour verrouiller le commutateur, installer un cadenas (non compris) à travers les trous du commutateur et du cache. S'assurer que le commutateur est inutilisable. Si le commutateur est toujours utilisable avec le cadenas installé, il faut utiliser un cadenas avec un étrier plus large. Ranger la clé du cadenas dans un autre endroit.

COMPOSANTS FONCTIONNELS

La partie supérieure de la lame traverse la table et elle est entourée par un insert appelé plaque à gorge. La hauteur de la lame est ajustée par un volant de réglage situé à l'avant du scie. Des instructions détaillées pour les coupes élémentaires se trouvent dans la section *Utilisation* de ce manuel : coupes transversales, coupes d'onglet, coupes en biseau et coupes composées.

Le guide longitudinal permet de positionner les pièces à couper dans le sens de la longueur. Une échelle graduée à l'avant de la table de la scie indique la distance entre le guide longitudinal et la lame.

Il est impératif d'utiliser la garde de lame pour toutes les coupes traversantes. L'ensemble de garde de lame comprend : le couteau diviseur, les griffes antirebond et la garde de lame.

ENSEMBLE DE COMMUTATEUR

Voir la figure 4.

Ce produit est équipé d'un ensemble de commutateur avec dispositif de verrouillage intégré. Ce dispositif est conçu pour empêcher l'utilisation non autorisée et potentiellement dangereuse par des enfants ou personnes non compétentes.

NOTE : Il n'est pas nécessaire de soulever le cache du commutateur pour utiliser le commutateur.

POUR METTRE LA SCIE EN MARCHÉ :

- Appuyer sur le bouton supérieur du commutateur pour mettre la scie en marche.

NOTE : Si l'alimentation CA est déconnectée ou interrompue lorsque la scie tourne, celle-ci s'éteindra. Pour redémarrer la scie, rétablir l'alimentation CA et appuyer sur le bouton supérieur du commutateur.

POUR ARRÊTER LA SCIE :

- Appuyer sur le bouton inférieur du commutateur pour éteindre la scie.

POUR VERROUILLER LA SCIE :

- Une fois la scie éteinte, installer un cadenas (non compris) à travers les trous du commutateur et du cache.

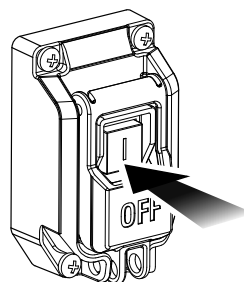
⚠ AVERTISSEMENT :

TOUJOURS s'assurer que la pièce n'est pas en contact avec la lame avant de mettre le commutateur de l'outil en position de marche. Ne pas prendre cette précaution peut causer le rebond de la pièce en direction de l'opérateur et entraîner des blessures graves.

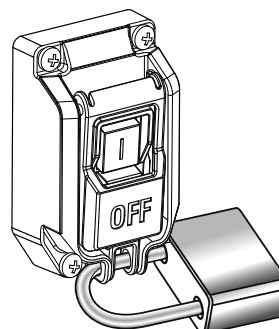
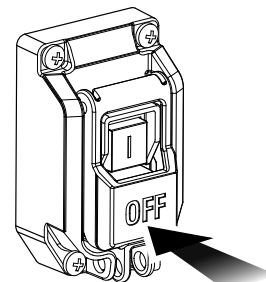
⚠ AVERTISSEMENT :

Pour réduire le risque de démarrage accidentel, toujours veiller à ce que le bouton supérieur du commutateur ne soit pas enfoncé avant de brancher l'outil dans une source d'alimentation.

COMMUTATEUR EN POSITION DE MARCHÉ



COMMUTATEUR EN POSITION D'ARRÊT



COMMUTATEUR EN POSITION VERROUILLÉE

Fig. 4

OUTILS NÉCESSAIRES

Les outils suivants (non inclus ou dessiné pour escalader) sont nécessaires pour l'assemblage et les réglages :

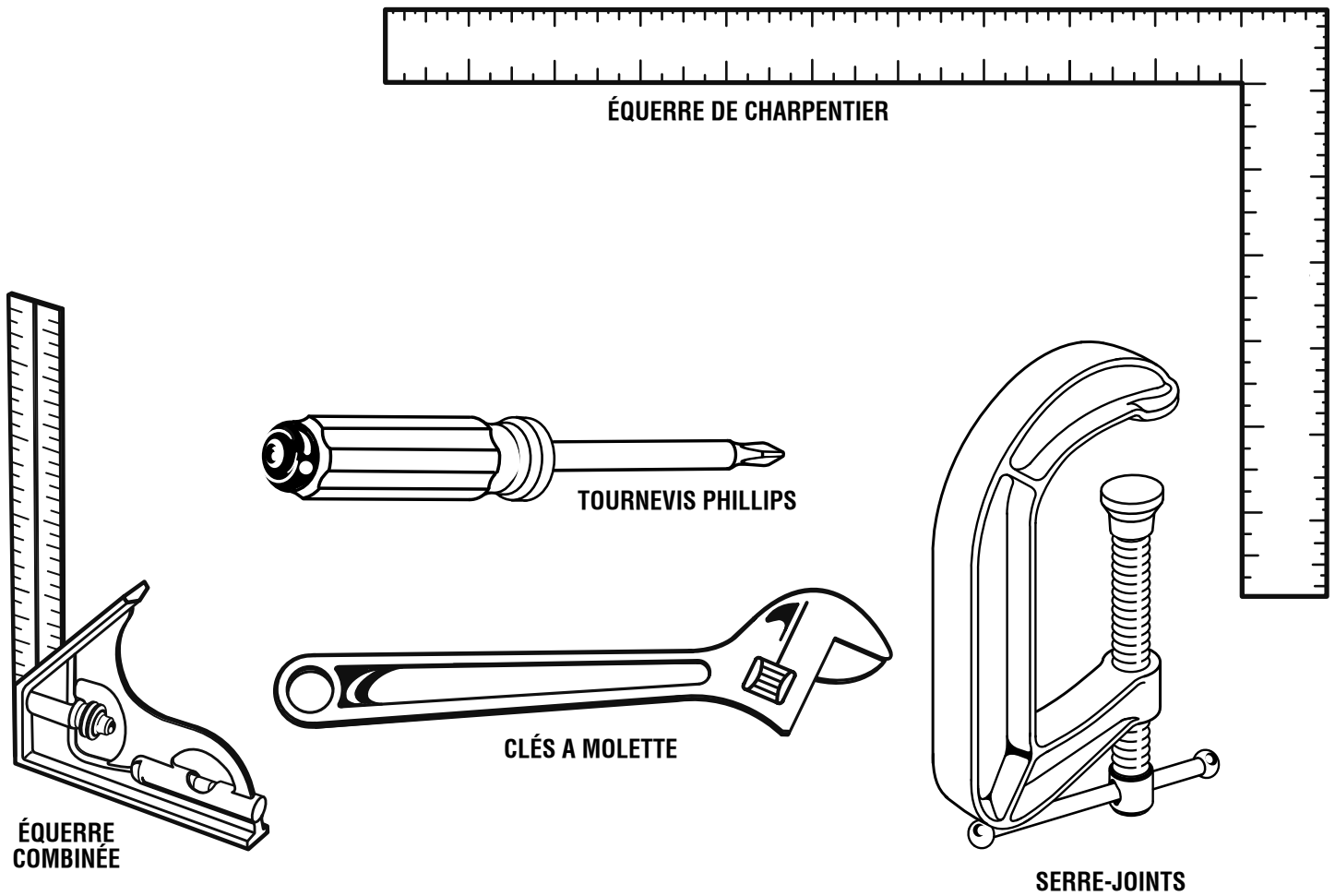


Fig. 5

LISTE DES PIÈCES DÉTACHÉES

Les composants suivants sont inclus avec votre scie à table :

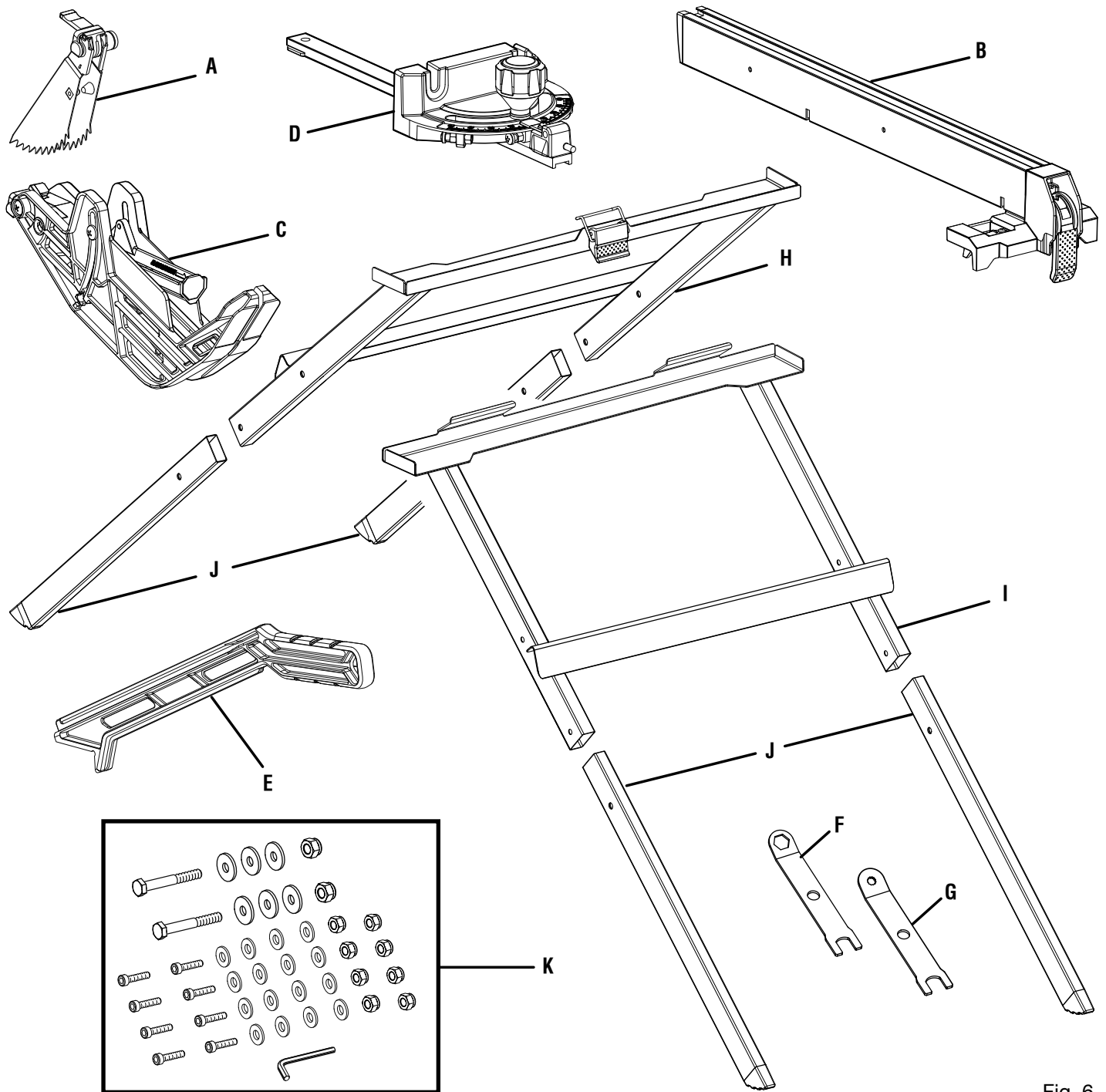


Fig. 6

A. Griffes antirebond.....	1	I. Ferrure de support extérieure.....	1
B. Guide longitudinal	1	J. Pattes	4
C. Protège-lame	1	K. Sachet de quincaillerie	
D. Guide d'onglet.....	1	Boulon à tête hex.	2
E. Bâton poussoir	1	Grand rondelles.....	6
F. Clé à lame, grand (dans l'espace de rangement).....	1	Grand écrous.....	2
G. Clé à lame, petite (dans l'espace de rangement).....	1	Boulons à tête creuse	8
H. Ferrure de support intérieure.....	1	Petite rondelles.....	16
		Petite écrous	8
		Clé hexagonale (5 mm).....	1

ASSEMBLAGE

DÉBALLAGE

Ce produit doit être assemblé.

- Sortir la scie du carton avec précaution et la poser une un plan de travail stable.

AVERTISSEMENT :

Ne pas utiliser le produit si, en le déballant, vous constatez que des éléments figurant dans la *Liste des pièces détachées* sont déjà assemblés. Certaines pièces figurant sur cette liste n'ont pas été assemblées par le fabricant et exigent une installation. Le fait d'utiliser un produit qui a été assemblé de façon inadéquate peut entraîner des blessures.

-
- Examiner soigneusement l'outil pour s'assurer que rien n'a été brisé ou endommagé en cours de transport.
 - Ne pas jeter les matériaux d'emballage avant d'avoir soigneusement examiné l'outil et avoir vérifié qu'il fonctionne correctement.

NOTE: Retirer le bloc de mousse placé entre la table de la scie et le moteur par biseau premièrement la lame, consulter la partie **Réglage de l'angle de lame (biseau)** de la section *Utilisation de ce manuel*.

- La scie est réglée en usine pour effectuer une coupe précise. Après l'avoir assemblée, vérifier sa précision. Si les réglages ont été modifiés en cours d'expédition, voir les procédures spécifiques présentées dans ce manuel.
- Si des pièces manquent ou sont endommagées, téléphoner au 1-866-539-1710.

AVERTISSEMENT :

Si des pièces manquent ou sont endommagées, ne pas utiliser ce outil avant qu'elles aient été remplacées. Le fait d'utiliser ce produit même s'il contient des pièces endommagées ou s'il lui manque des pièces peut entraîner des blessures graves.

AVERTISSEMENT :

Ne pas essayer de modifier cet outil ou de créer des accessoires non recommandés pour l'outil. De telles altérations ou modifications sont considérées comme un usage abusif et peuvent créer des conditions dangereuses, risquant d'entraîner des blessures graves.

AVERTISSEMENT :

Ne pas brancher sur le secteur avant d'avoir terminé l'assemblage. Le non respect de cet avertissement peut causer un démarrage accidentel, entraînant des blessures graves.

AVERTISSEMENT :

Ne pas soulever la scie sans aide. La tenir la près du corps. Garder les genoux pliés et soulever avec les jambes et non avec le dos. Le non respect de ces précautions pourrait résulter en une blessure au dos.

AVERTISSEMENT :

Ne jamais se tenir en ligne avec la lame ou laisser les mains approcher la lame à moins de 76,2 mm (3 po). Ne pas essayer de passer la main au-dessus ou au-delà de la lame. Le non-respect de cette mise en garde peut entraîner des blessures graves.

AVERTISSEMENT :

Pour éviter des blessures graves, toujours s'assurer que la scie à table est solidement fixée sur un établi ou un stand approuvé. NE JAMAIS utiliser la scie posée sur le sol.

TROUS DE FIXATION

La scie à table doit être montée solidement sur un plan de travail ferme, tel qu'un établi ou un stand. Pour ce faire, la cadre de la scie comporte quatre trous.

Pour le montage sur un établi, les boulons doivent être assez longs pour traverser la base de la scie, les rondelles frein, les écrous et l'établi elles frein, les écrous et l'établi ou autre surface de fixation. Serrer les boulons ou vis fermement. Une fois le montage terminé, vérifier soigneusement l'établi pour s'assurer qu'aucun mouvement ne peut se produire en cours d'utilisation. Si l'établi bascule, glisse ou se déplace, l'assujettir sur le sol avant d'utiliser la scie.

Pour le montage sur le stand, lire le specific procédures spécifiques expliquées plus loin dans cette section.

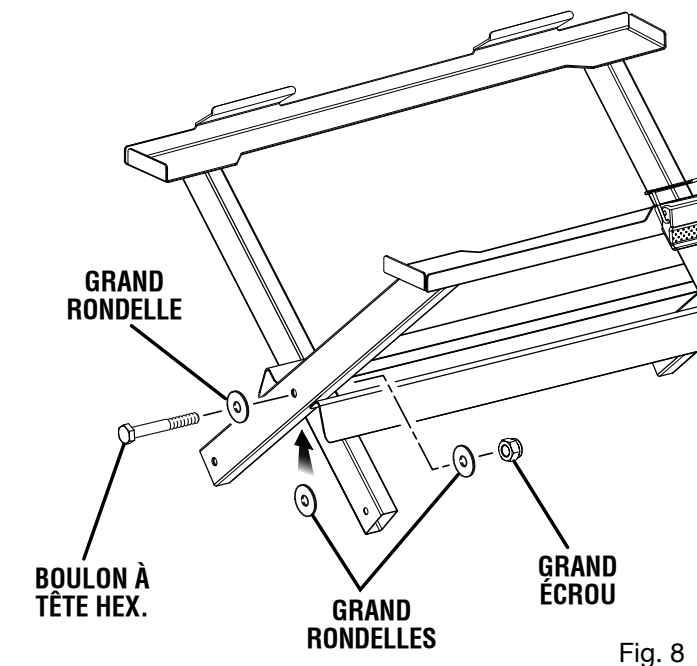
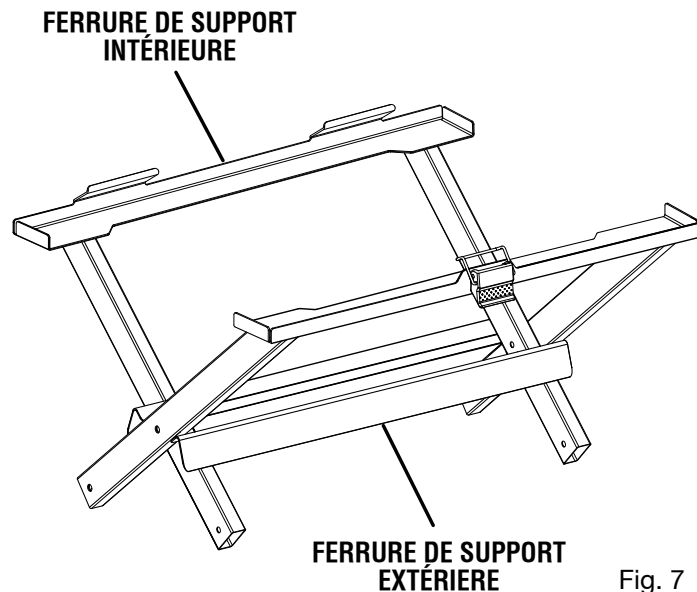
ASSEMBLAGE

ASSEMBLAGE DE STAND

Voir les figures 7 à 10.

NOTE : Ne pas se stand à un usage autre que celui pour lequel il est conçu.

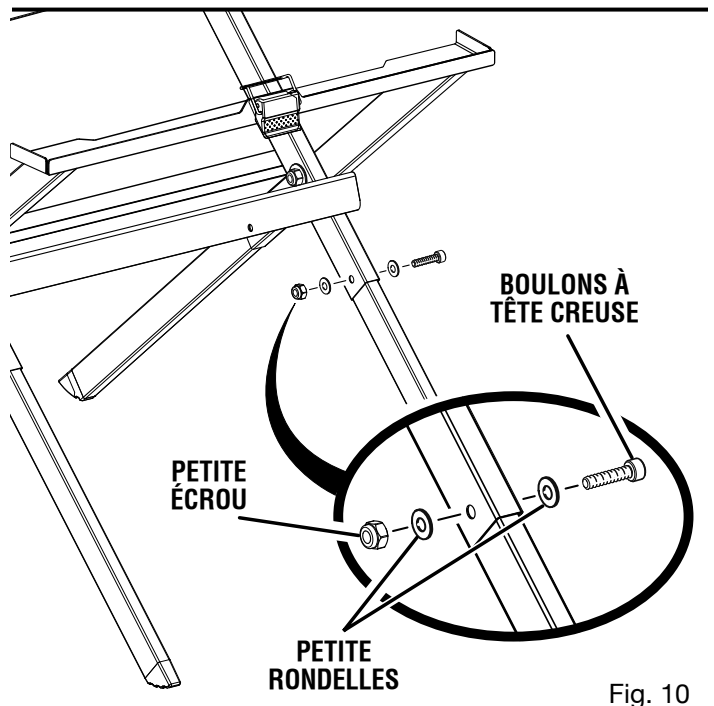
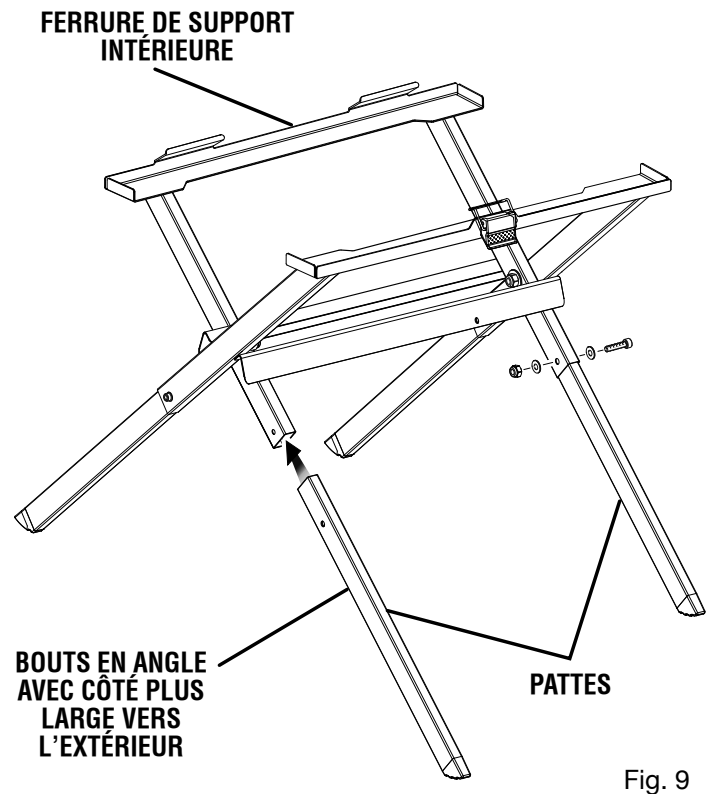
- Positionner les ferrures de support intérieure et extérieure de telle sorte à former un « X », comme il est illustré ci-après. Aligner les trous pour insérer la quincaillerie.
- Insérer un boulon à tête hexagonale dans une grande rondelle, puis dans la ferrure de support extérieure, une deuxième grande rondelle, la ferrure de support intérieure et une troisième grande rondelle. Poser un grand écrou et bien serrer, mais **éviter de trop serrer**. Répéter pour l'autre côté.
- Glisser les pattes du support dans les ferrures de support. Aligner les trous pour insérer la quincaillerie.



NOTE : Le plus long côté des pattes du support doit faire face à l'extérieur.

- Fixer les pattes du support aux ferrures de support avec les boulons à tête creuse, les petites rondelles et les petits écrous, comme il est illustré. Serrer fermement.

NOTE : Une fois les pattes installées, essayer de plier le support à pattes. Si la stand ne plie pas, ajuster la tension sur les écrous fixant les ferrures de support jusqu'à ce que la stand puisse plier sans difficulté.



ASSEMBLAGE

MONTAGE DU SUPPORT SUR LA STAND DE LA SCIE

Voir les figures 11 et 12.

AVERTISSEMENT :

Ne soulevez pas la scie sans l'aide d'une autre personne. La scie pèse environ 55 lb. Tenez-la près de votre corps, pliez les genoux et soulevez-la avec les jambes, et non pas avec le dos. Si ces précautions ne sont pas prises, vous pourriez vous faire mal au dos.

- En plaçant l'appareil en position verticale, déployer les pattes du support. Déposer le stand sur un sol à niveau.

NOTE : Lors du positionnement de la stand, s'assurer que les pattes sont totalement déplacé vers extérieur pour assurer la stabilité.

- Tenir la scie à table légèrement inclinée et placer l'arrière de la scie sur le support à pattes.

NOTE : Les languettes surélevées du support à pattes doivent se mettre sur le cadre de la scie et entre les pieds de la scie. Les pieds de la scie doivent se placer à l'intérieur des coins du support à pattes.

- Une fois l'arrière de la scie en place, abaisser l'avant de la scie et positionner les pieds à l'intérieur des coins du support à pattes.

NOTE : S'assurer que les pattes de la scie à table sont encastrées au support et que toutes les pattes du support reposent au sol.

- Glisser la scie légèrement vers l'avant et sécuriser en place à l'aide du loquet situé à l'avant du support à pattes.

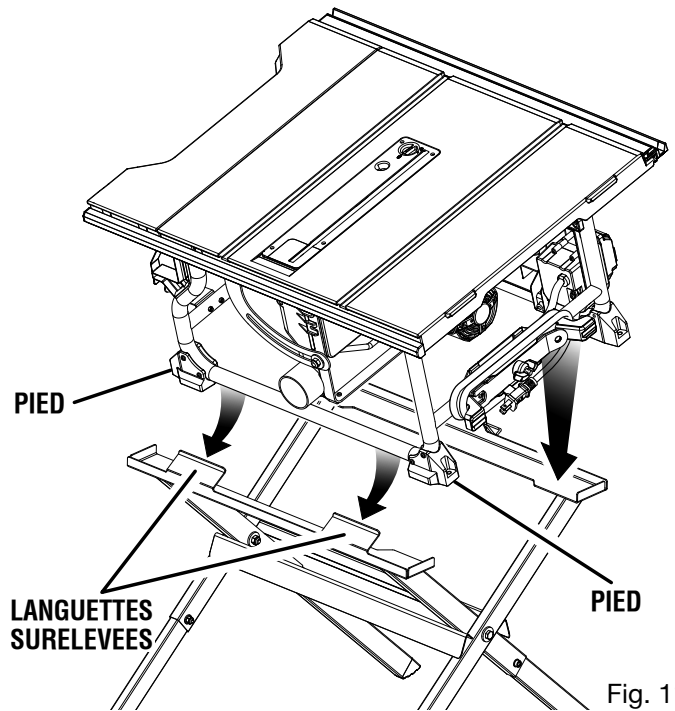


Fig. 11

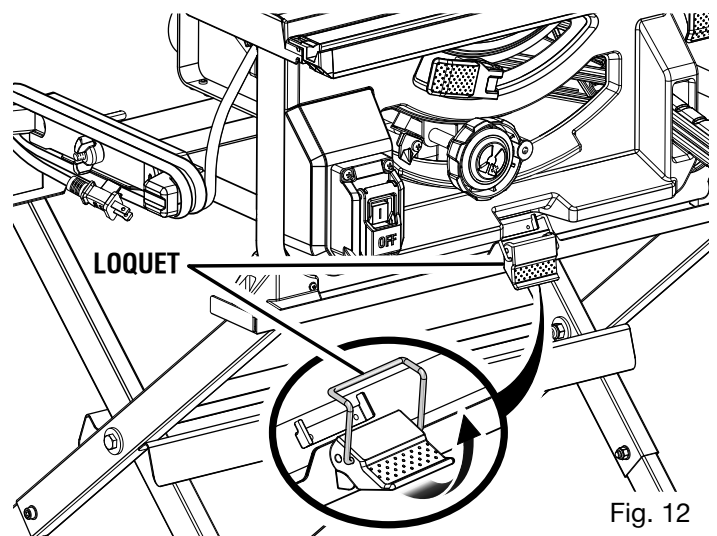


Fig. 12

ASSEMBLAGE

POUR ENLEVER/INSTALLER/ALIGNER DE LA PLAQUE À GORGE

Voir les figures 13 et 14.

AVERTISSEMENT :

Si la plaque à gorge est trop haute ou trop basse, la pièce à travailler peut s'accrocher sur les bords inégaux et ainsi provoquer un blocage ou un rebond, qui pourrait à son tour entraîner des blessures graves. Vérifier que la plaque à gorge est correctement positionnée. Avant d'allumer la scie, réaliser un essai de l'opération de coupe pour s'assurer qu'aucun problème n'existe lorsque la coupe est effectuée. Si la pièce à travailler s'accroche, ne pas tenter d'utiliser la scie. Contacter le service à la clientèle pour obtenir de l'aide.

- Abaisser la lame en tournant le volant de réglage de hauteur / biseau vers la gauche.
- Pour retirer la plaque à gorge, tourner le bouton en position déverrouillée. Placer votre index dans le trou, soulever la plaque à gorge et tirer vers l'avant de la scie.
- Pour réinstaller la plaque à gorge, tourner le bouton en position déverrouillée. Remettre la plaque à gorge sur la scie et tourner le bouton en position verrouillée.

NOTE : La plaque à gorge peut se déplacer vers le haut ou vers le bas au fil du temps. Au besoin, utiliser une clé hexagonale de 2,5 mm pour ajuster les vis de la plaque à gorge jusqu'à ce qu'elle soit au même niveau que la table à scie.

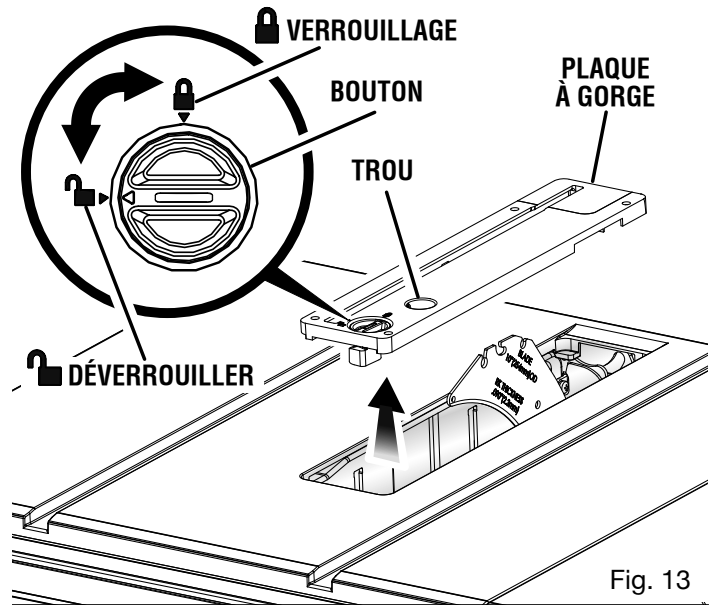


Fig. 13

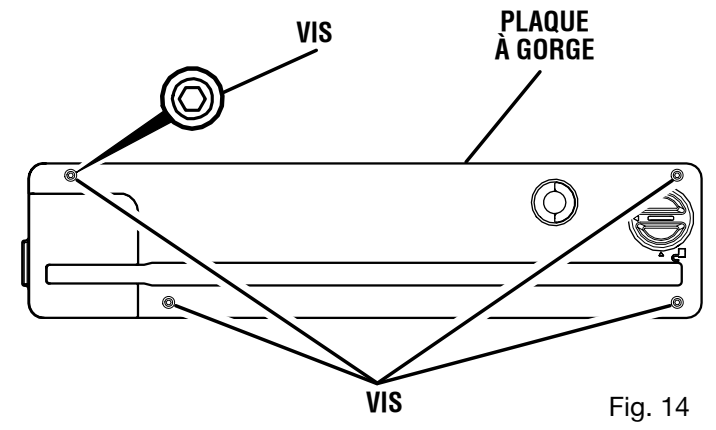


Fig. 14

ASSEMBLAGE

POUR CHANGER ENTRE UNE COUPEAU DIVISEUR

Voir la figure 15.

Cette scie est expédiée avec le couteau diviseur placé en la position « bas » pour les coupes de non traversante et doit être placé en la position « haut » pour autres opérations de coupe.

⚠ ATTENTION :

Faire preuve de prudence lorsque vous mettez votre main à l'intérieur de la gorge de la scie à table. Le contact avec la lame, même si la lame est immobile peut entraîner des blessures aux mains ou aux bras.

- Débrancher la scie.

Placer en la position « haut » pour tout par les coupes traversante :

- Retrait de la plaque à gorge.
- Élever la lame de scie en tournant le volant de réglage de hauteur / biseau vers la droite.
- Ouvrir le levier de dégagement en le tirant en haut.
- S'emparer de l'écarteur et le tirer vers le côté droit de la scie pour relâcher l'écarteur du serre-joint de couteau diviseur.
- Le tire l'écarteur en haut jusqu'à ce que es goupilles internes sont engagées et l'écarteur c'est ci-dessus de la lame de scie.
- Verrouiller le levier de dégagement en appuyant le levier.

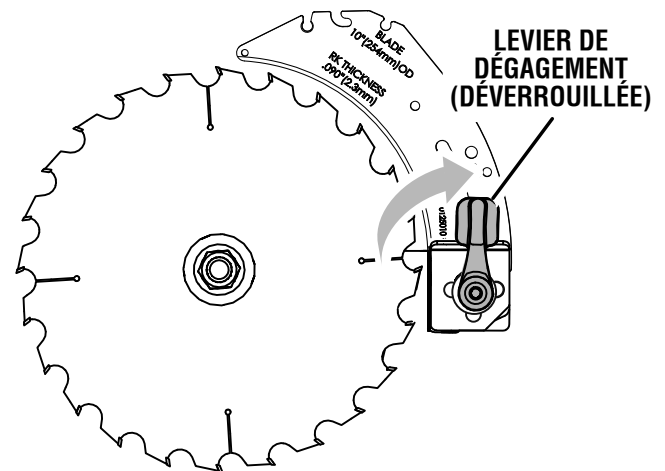
⚠ AVERTISSEMENT :

S'assurer que le levier de dégagement est entièrement appuyé. Si le levier de dégagement est difficile à verrouiller, nettoyer à fond les composants du levier avec de l'air comprimé ou un linge doux propre, comme il est décrit à la partie **Nettoyer les plaques du levier de verrouillage du couteau fendeur** dans la section *Entretien*. À défaut de verrouiller le levier de dégagement complètement peut entraîner un changement de position du couteau diviseur lors de l'utilisation de la scie et peut causer des blessures corporelles graves.

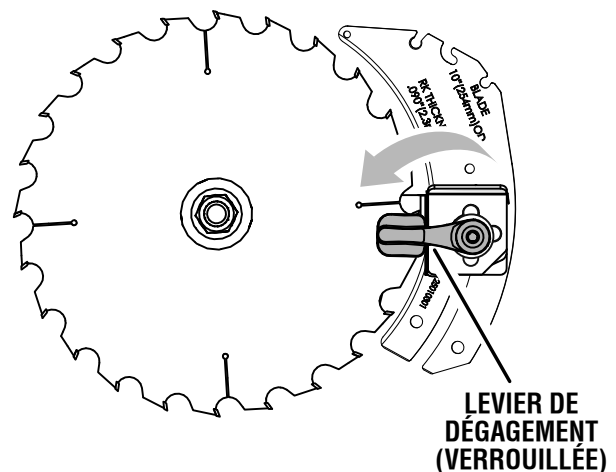
- Réinstallez de la plaque à gorge.

Placer en la position « bas » pour tout par les coupes non traversante :

- Retirer de la plaque à gorge.
- Élever la lame de scie en tournant le volant de réglage de hauteur / biseau vers la droite.



EN « HAUT » POSITION POUR TOUT PAR TRAVERSANTE



EN « BAS » POSITION POUR TOUTE COUPE DE NON TRAVERSANTE

Fig. 15

- Ouvrir le levier de dégagement en le tirant en haut.
- S'emparer de l'écarteur et le tirer vers le côté droit de la scie pour relâcher l'écarteur du serre-joint de couteau diviseur.
- Appuyer le couteau diviseur jusqu'à ce que c'est au dessous de la lame de scie.
- Verrouiller le levier de dégagement en appuyant le levier.
- Réinstallez de la plaque à gorge.

ASSEMBLAGE

POUR VÉRIFIER L'INSTALLATION DE LA LAME

Voir la figure 16.

AVIS :

Pour fonctionner correctement, les dents de la lame de scie doivent être orientées vers le bas et le devant de la scie. Le non respect de cet avertissement pourrait causer un dommage à la lame, la scie, ou la pièce à travailler.

- Débrancher la scie.
- Enlever les clés pour lame du rangement en dévissant l'écrou à oreilles.
- Abaisser la lame en tournant le volant de réglage de hauteur/biseau vers la gauche et retirer la plaque à gorge.
- Lever la lame à la hauteur maximum en tournant le volant de réglage de hauteur / biseau vers la droite.
- S'assurer que le levier de verrouillage de biseau est poussé à fond vers la gauche.
- Placer le couteau diviseur en la posición « en haut ».

Pour desserrer la lame :

- Engager la plus grande clé plates sur les méplats de l'axe d'entraînement.
- Engager l'extrémité fermée de la plus petite clé sur l'écrou. Saisir les deux clés fermement et tirer la plus petite clé vers l'avant de la machine.

NOTE : L'axe de lame est enfile de droite.

Pour serrer la lame :

- L'utilisation la grande clé, insérer le bout ouvert méplats de axe de lame.
- Avec le bout fermé de la petite clé, serrer l'écrou de lame. En tenant fermement les deux clés, tirer la petite clé vers

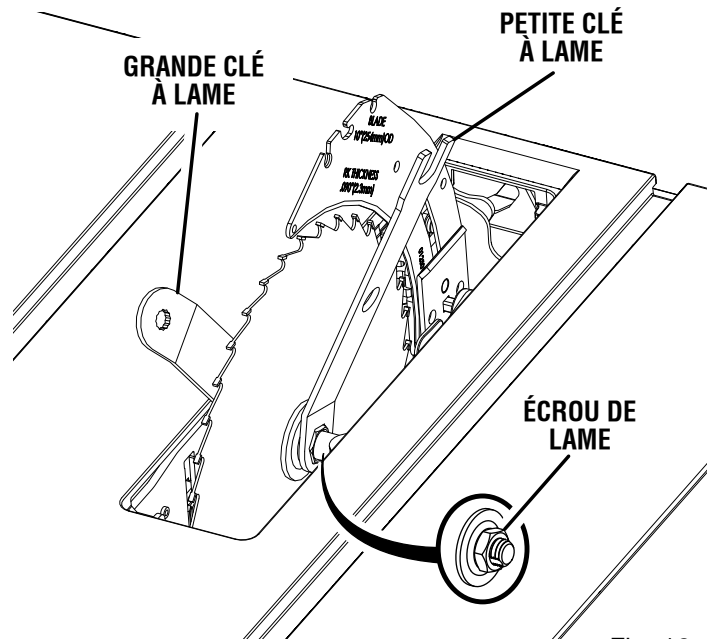


Fig. 16

l'arrière de la machine. S'assurer sûr que l'écrou de la lame est fermement serré. Ne pas serrer excessivement.

NOTE: L'axe de lame est enfile de droite.

- Réinstallez de la plaque à gorge.
- Vérifier que la lame tourne librement, sans toucher quoi que ce soit.

Après l'installation, ajuster l'indicateur de l'échelle de refente pour tenir compte du trait et de l'épaisseur de la lame. Rappelez-vous à **Pour régler l'échelle graduée sur la lame** dans la section *Utilisation* dans ce manuel. Lors de la coupe, l'échelle doit être placée du côté de la lame où la coupe est mesurée et exécutée.

ASSEMBLAGE

INSTALLATION DE LA GRIFFES ANTIREBOND ET GARDE DE LAME

Voir les figures 17 à 19.

⚠ AVERTISSEMENT :

Toujours installer le garde de lame et les griffes antirebond sur le couteau diviseur vers le haut afin de protéger adéquatement la lame. L'installation de composants protecteurs sur le couteau diviseur dans toute autre position nuira au bon fonctionnement du couteau diviseur et augmentera le risque de blessures graves.

⚠ AVERTISSEMENT :

Remplacer des cliquets ternes ou endommagés griffes antirebond. Atténuer ou avoir endommagé des griffes ne peut pas arrêter un rebond augmentant les risques de blessures graves.

NOTE: Les griffes antirebond devraient être seulement installés pour coupes traversante.

- Débrancher la scie.
- Lever la lame à la hauteur maximum en tournant le volant de réglage de hauteur / biseau vers la droite.
- Placer le couteau diviseur en la posición « en haut ».
- Remettre la plaque à gorge en place.

Installation la griffes antirebond :

- Appuyer et prise le bouton sur le côté droite la griffes antirbond.
- Aligner le fente dans les griffes sur le dernier encoche dans le couteau diviseur.
- Appuyer le poignée de griffes claquer que les pour placer les et relâchez le bouton.

NOTE : Tire la poignée pour assurer que les griffes sont assurément verrouillés.

Installation de protégé-lame :

- Soulever le levier du garde en haut pour déverrouiller
- Avec le devant du protégé-lame a élevé, abaisser le dos du garde dans le trou arrière le couteau diviseur comme illustré. Abaisser l'avant du garde jusqu'à ce que la barre à l'intérieur du garde soit **parallèle à la table** (voir la figure 19). Si la barre n'est pas parallèle à la table, le couteau diviseur n'est pas en position « en haut ».
- Verrouiller le garde à sa place en appuyant le levier du garde.
- Les barrières latérales du protégé-lame peuvent être soulevées, et ensuite placées hors du chemin sans être retirées pour faciliter la mesure.

NOTE : L'alignement de la lame peut être ajusté selon les largeurs différentes du trait. Voir : **Vérification et alignement du couteau diviseur et la lame**. Vérifier que la garde de lame fonctionne librement, sans heurter d'autres pièces.

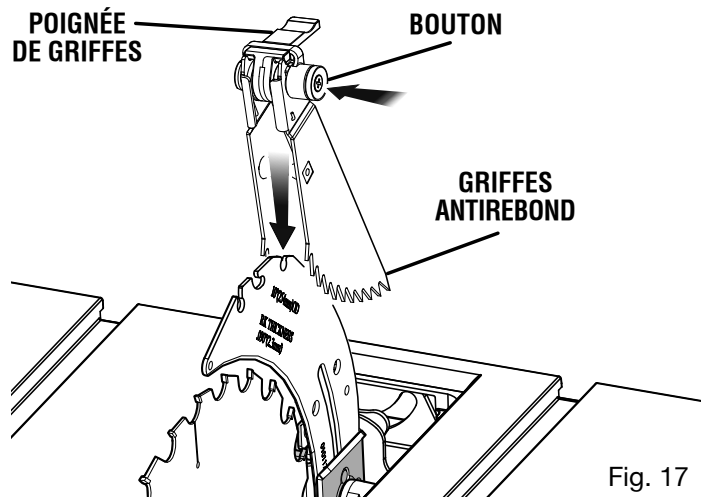


Fig. 17

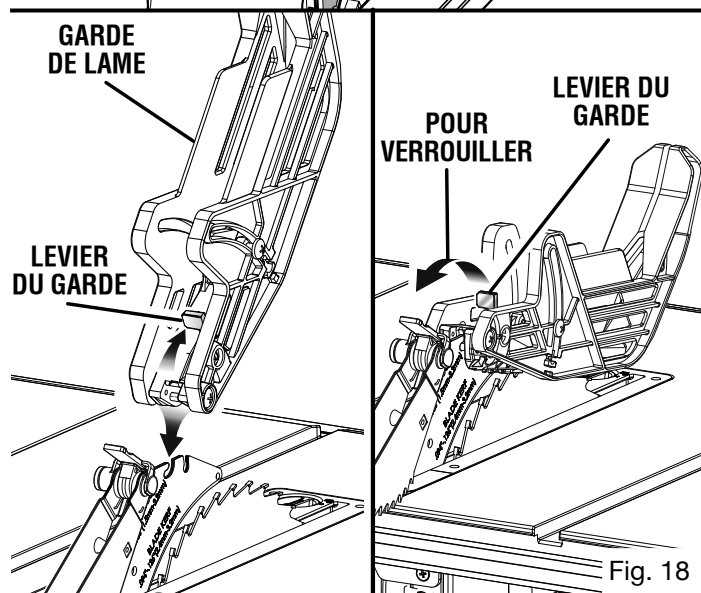


Fig. 18

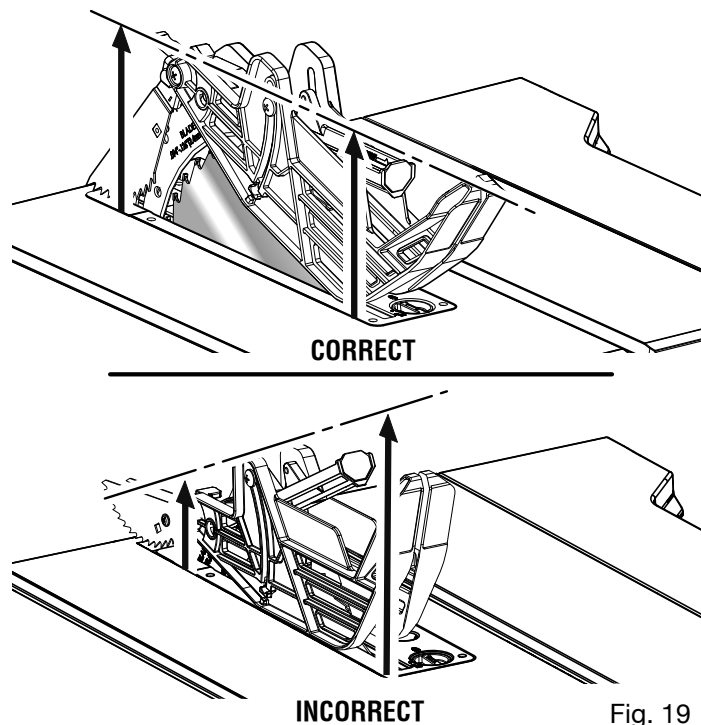


Fig. 19

ASSEMBLAGE

VÉRIFICATION ET ALIGNEMENT DU COUTEAU DIVISEUR ET LA LAME

Voir les figures 20 et 21.

Vérification de l'alignement du couteau diviseur :

- Débrancher la scie.
- Élever la lame de scie en tournant le volant de réglage de hauteur / biseau vers la droite.
- Régler l'angle du biseau à 0° et verrouiller le levier de blocage du biseau.
- Relever les griffes antirebond et ensemble de protège-lame.
- Pour vérifier l'alignement horizontal, placer une équerre de charpentier ou un bord droit contre le corps de la lame de scie et le couteau diviseur. L'équerre de charpentier doit toucher le corps de la lame et le couteau diviseur uniformément et sans écart. Vérifier l'alignement des deux côtés du corps de la lame.

NOTE : Le trait ou la largeur de chaque dent est plus large que le corps de la lame. Lorsque le couteau diviseur est correctement aligné, il sera centré sur la largeur du trait.

- Pour vérifier l'alignement vertical, placer une équerre de charpentier à côté du couteau diviseur. Le bord de l'équerre et le couteau diviseur doivent être parallèles.

Si le couteau diviseur n'est pas alignée sur la lame, un réglage est nécessaire. Le couteau diviseur doit être dans l'alignement de l'avant vers l'arrière (horizontalement) et le dessus pour inférieure (verticalement).

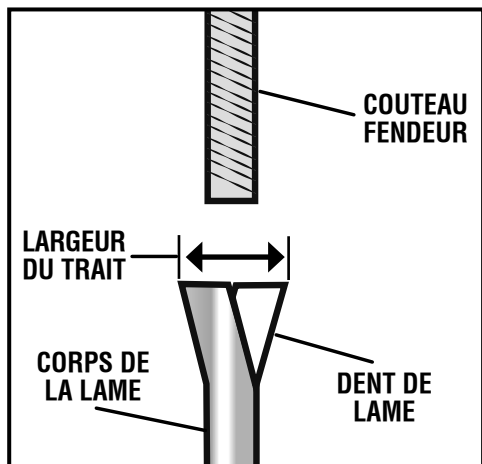
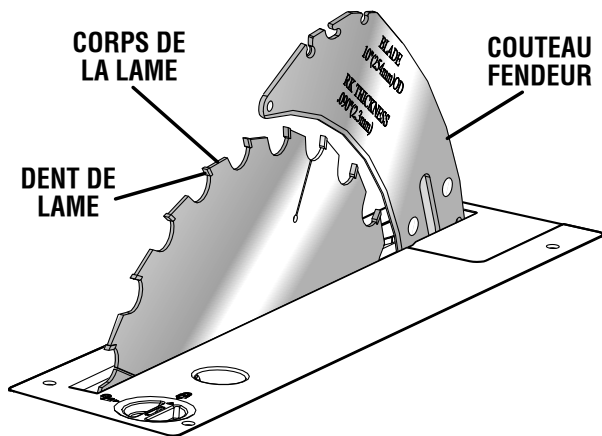


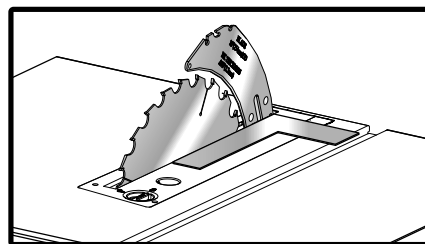
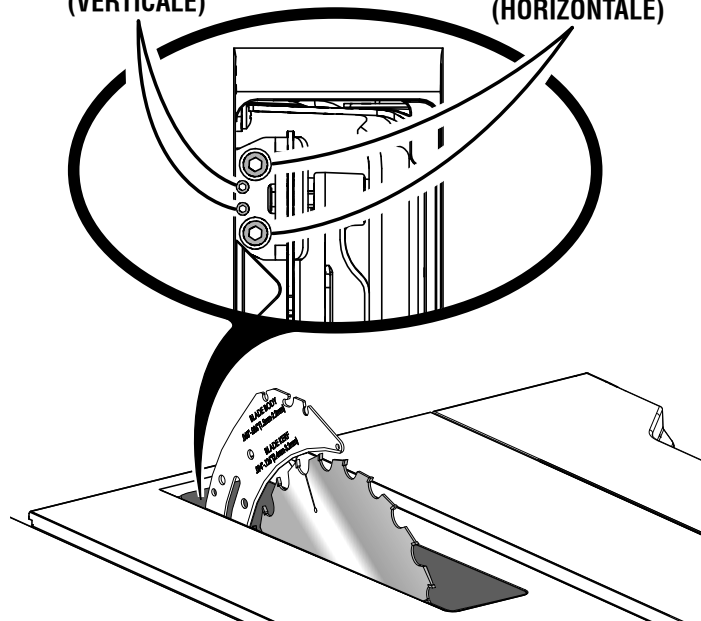
Fig. 20

Réglage (horizontale et verticale) :

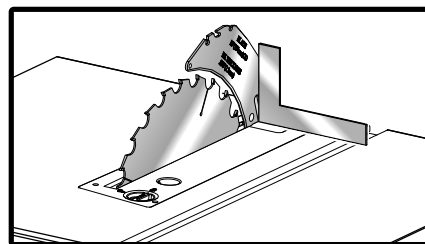
- Relever les griffes antirebond, ensemble de protège-lame, et plaque à gorge.
- Pour effectuer des ajustements horizontaux – utiliser une clé hexagonale de 5 mm pour desserrer les vis de réglage horizontales qui maintiennent le support de montage. Repositionner le couteau diviseur à gauche ou à droite. Serrer les vis de réglage horizontales et vérifier l'alignement. Répéter au besoin.
- Pour effectuer des ajustements verticaux – desserrer les vis de réglage horizontales à un quart de tour. Utiliser une clé hexagonale de 2,5 mm pour tourner lentement les vis de réglage verticales jusqu'à ce que le couteau diviseur s'aligne sur la lame. Serrer les vis de réglage horizontales et vérifier l'alignement. Répéter au besoin.
- Remettre les griffes antirebond, l'ensemble du protège-lame et la plaque à gorge.

VIS DE RÉGLAGE (VERTICALE)

VIS DE RÉGLAGE (HORIZONTALE)



PRÉCISION HORIZONTALE



PRÉCISION VERTICALE

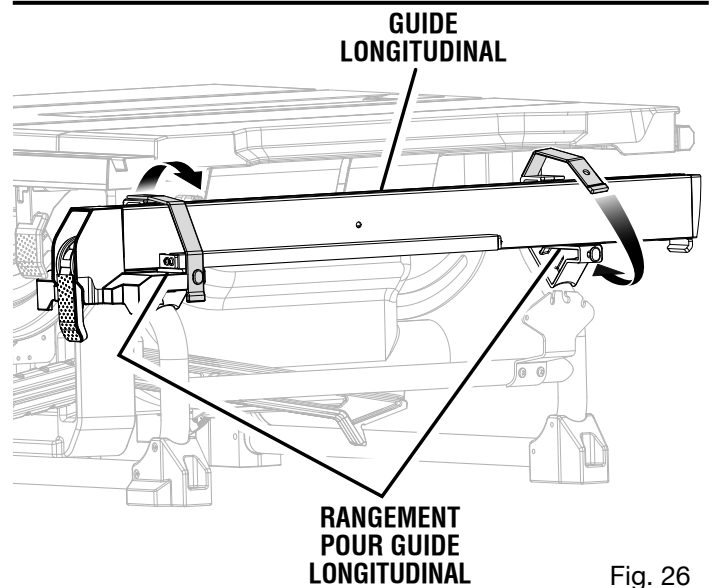
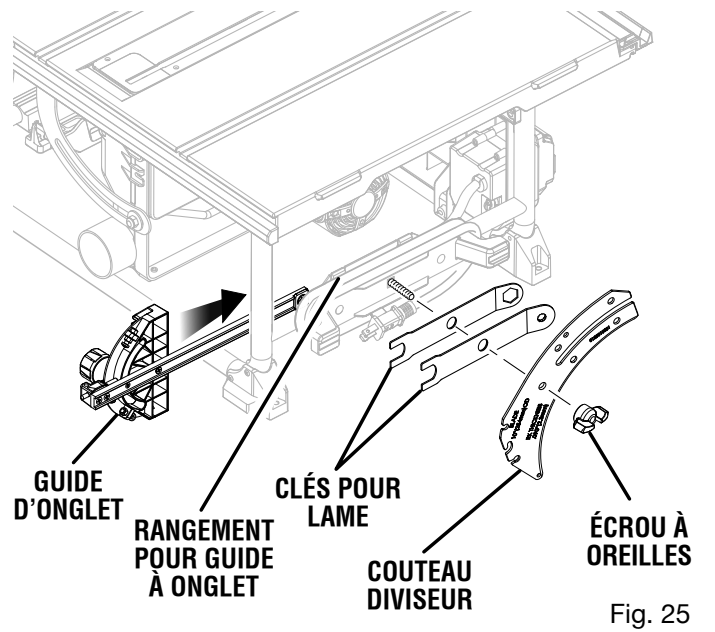
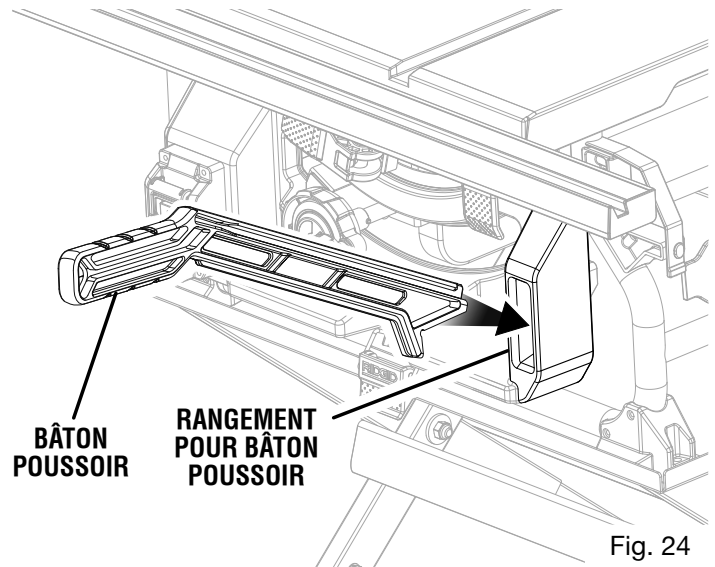
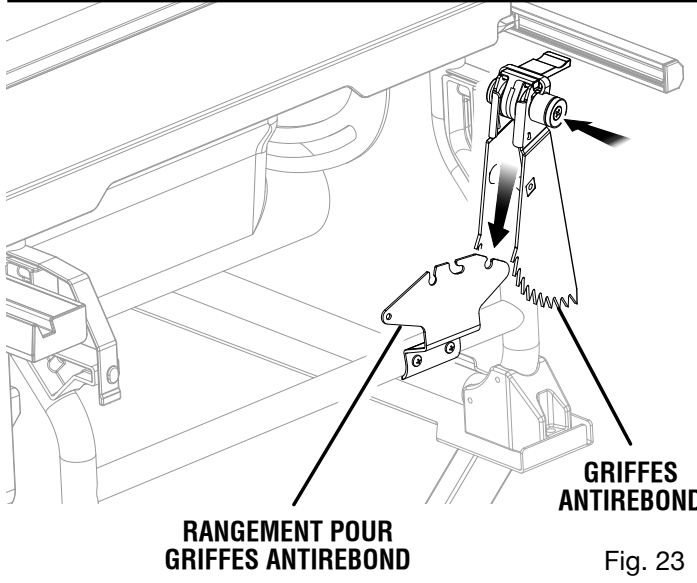
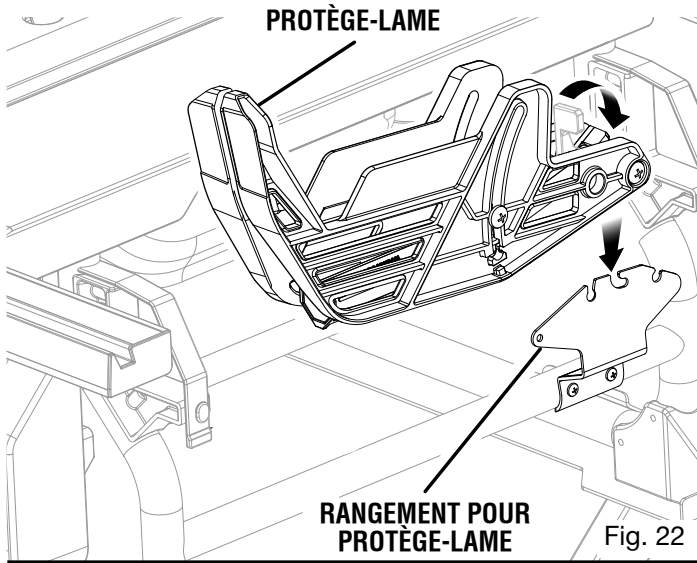
Fig. 21

ASSEMBLAGE

RANGEMENT DES ACCESSOIRES DE LA TABLE À SCIE

Voir les figures 22 à 26.

Lorsque le guide longitudinal, le couteau diviseur, les clés, le protège-lame, le guide à onglet, les griffes antirebond et le bâton poussoir ne sont pas utilisés, ils peuvent être rangés sous la table à scie.



UTILISATION

AVERTISSEMENT :

Ne pas laisser la familiarité avec les outils faire oublier la prudence. Ne pas oublier qu'une fraction de seconde d'inattention peut entraîner des blessures graves.

AVERTISSEMENT :

Toujours porter une protection oculaire certifiée conforme à la norme ANSI Z87.1. Si cette précaution n'est pas prise, des objets peuvent être projetés dans les yeux et causer des lésions graves.

AVERTISSEMENT :

Ne pas utiliser d'outils ou accessoires non recommandés pour cet outil. L'utilisation de pièces et accessoires non recommandés peut entraîner des blessures graves.

AVERTISSEMENT :

Bien que beaucoup des illustrations de ce manuel montrent la scie sans la garde de lame pour plus de clarté, la scie ne doit être utilisée sans la garde que si les instructions l'indiquent expressément.

AVERTISSEMENT :

La scie à table doit être installée sur un plan de travail ferme, tel qu'un établi ou un support à pieds qui positionne la scie à la hauteur de la taille. Bien que beaucoup des illustrations de ce manuel montrent la scie non montée pour plus de clarté, la scie ne doit être utilisée sans la garde que si les instructions l'indiquent expressément.

APPLICATIONS

Cet outil peut être utilisé pour les applications ci-dessous :

- Coupes en ligne droite telles que les coupes transversales, longitudinales, d'onglets, en biseau et composées
- Coupes de rainurage et de moulage avec des accessoires en option
- Ébénisterie et menuiserie

NOTE : Cette scie à table est conçue pour couper du bois et de l'aggloméré uniquement.

UTILISATION ÉLÉMENTAIRE DE LA SCIE À TABLE

Pour réduire le risque de choc électrique, cet outil est équipé d'une fiche polarisée (une broche est plus large que l'autre). Cette fiche ne peut être branchée sur une prise polarisée que dans un sens. Si la fiche ne peut pas être insérée dans la prise, l'inverser. Si elle ne peut toujours pas être insérée, faire installer une prise adéquate par un électricien qualifié. Ne pas modifier la fiche de quelque façon que ce soit. Voir la section *Caractéristiques électriques* de ce manuel.

CAUSES DE REBOND

Un rebond peut se produire lorsque la lame se bloque ou se coince, et propulse violemment la pièce à couper en direction de l'opérateur. Si les mains se trouvent près de lame, elles pourraient être éjectées de la pièce et entrer en contact avec la lame. Il est évident que le rebond peut causer des blessures graves et il est vivement recommandé de prendre des précautions afin d'éviter ce risque.

Le rebond peut être causé par toute action causant le pincement de la lame dans le bois. Par exemple :

- Réglage de profondeur de coupe incorrect
- Sciage de noeuds ou de clous dans le bois
- Déviation du bois en cours de coupe
- Pièce à couper non soutenue
- Coupe forcée
- Coupe de planches humides ou voilées
- Utilisation d'une lame inadéquate pour le type de coupe
- Procédures de travail incorrectes
- Utilisation incorrecte de la scie
- Non utilisation des griffes antirebond
- Coupe avec une lame émoussée, encrassée ou mal réglée

POUR EVITER LE REBOND

- Toujours utiliser le réglage de profondeur de coupe correct. La pointe des dents de la lame doit dépasser la pièce de 3,2 à 6,4 mm (1/8 po à 1/4 po).
- S'assurer de l'absence de noeuds ou de clous dans le bois avant de commencer une coupe. Retirer les noeuds décollés à l'aide d'un marteau. Ne jamais scier de noeuds décollés ou de clous.
- Toujours utiliser le guide longitudinal pour les coupes en long. Toujours utiliser le guide d'onglet pour les coupes transversales. Ceci évite la déviation du bois pendant la coupe.
- Toujours utiliser des lames propres, bien affûtées et correctement réglées. Ne jamais couper avec une lame émoussée.
- Afin d'éviter le pincement de la lame, soutenir la pièce avant de commencer la coupe.
- Appliquer une pression constante et régulière sur la pièce. Ne jamais forcer la coupe. Ne pas relâcher la pièce à travailler avant de l'avoir poussé complètement au-delà de la lame.
- Ne pas couper des planches humides ou voilées. La pièce à travailler doit avoir un bord droit pour être guidée le long du guide longitudinal.
- Utiliser la attention extra en coupant quelque prefinished ou les produits de bois de composition comme les griffes antirebond toujours ne peuvent pas être efficaces.
- Toujours diriger votre la pièce avec les deux mains ou avec des bâtons pousoirs et/ou blocs pousoirs. Se tenir bien campé afin de pouvoir la maîtriser en cas de rebond. Ne jamais se tenir en ligne avec la lame.
- L'usage d'un cale-guide aidera la prise la pièce assurément contre la table de scie ou le guide.

UTILISATION

- Nettoyer la scie, le protège-lame, sous la plaque à gorge, et n'importe quels sciure où n'importe quelle poussière de scie ou les pièces de fragment peuvent rassembler.
- Maintenir le protège-lame, le couteau diviseur et les griffes antirebond en place et en bon état. Le couteau diviseur doit être aligné sur la lame et les griffes doivent arrêter un rebond une fois démarré. Vérifier leur état avant toute coupe longitudinale.
- Garder le guide longitudinal parallèlement à la lame de scie.
- Lors d'une coupe longitudinale, exercer la force d'avance sur la partie de la pièce à travailler qui se trouve entre la lame et le guide longitudinal. Utiliser un bouton poussoir ou un bloc poussoir au besoin.
- Utiliser des lames dont le type correspond au type de coupe.
- Toujours utiliser couteau diviseur pour chaque opération où il est permis. L'usage de cet appareil réduira fort le risque de rebond.

CONSEILS DE COUPE

Voir les figures 27 et 28.

Les bâtons poussoir permettent de pousser une pièce contre la lame en toute sécurité dans coupe longitudinal. En faisant les coupes de non traversante ou refente des planches étroites toujours utiliser un bâton poussoir, bloc poussoir et/ou cale-guide afin de ne pas risquer que les mains à moins de 76,2 mm (3 po) de la lame. Leur forme et taille peuvent varier en fonction du travail à exécuter et il peuvent être fabriqués avec une chute de bois. Le bâton doit être plus étroit que la pièce et présenter une découpe à 90° à une extrémité et découpe permettant de le saisir fermement à l'autre.

Un bloc poussoir est muni d'une poignée fixée par des vis noyées, insérées par le dessous ou sécurisées avec de la colle à bois. Il doit être utiliser pour les coupes non traversantes. Un gabarit de coupe ou toute aide de coupe similaire peut être nécessaire pour assurer que le bloc poussoir ne gêne pas la coupe.

⚠ ATTENTION :

S'assurer que la vis du bloc poussoir est noyée afin qu'elle ne risque pas d'endommager la scie ou la pièce.

Les blocs poussoirs et les bâtons poussoirs, tels que ceux illustrés à la figure 27, peuvent être achetés localement et un bâton poussoir est fourni avec la scie. Pour fabriquer une aide de coupe supplémentaire, suivre les instructions ci-dessous.

Pour fabriquer un bâton poussoir :

Le matériau, la forme et la taille d'un bâton poussoir peuvent varier. Pour ce projet, utiliser une pièce de bois solide mesurant 457,20 mm (18 po) de long, 38,10 mm (1-1/2 po) de large et 19,05 mm (3/4 po) d'épaisseur.

- Au besoin, découper une courbe sur un bout de la pièce à travailler pour servir de prise.
- Tailler une encoche sur le bout opposé de la pièce à travailler. Pendant l'utilisation, ce bout touchera le bord du matériau à couper.

Pour fabriquer un bloc poussoir :

Le matériau, la forme et la taille d'un bloc poussoir peuvent varier. Pour ce projet, utiliser deux pièces de bois solide pour créer la base et la poignée. La base mesure 127,00 mm (5 po) de long, 76,20 mm (3 po) et 9,52 mm (3/8 po). La poignée devrait mesurer 127,00 mm (5 po) de long, 25,40 mm (1 po) et 19,05 mm (3/4 po).

- Marquer le centre de la base.
- Fixer la poignée au centre de la base avec des vis noyées ou de la colle à bois.

NOTE : Pour éviter que le bloc poussoir glisse sur la pièce à travailler, attacher un morceau de papier abrasif ou un patin en caoutchouc antidérapant sous la base.

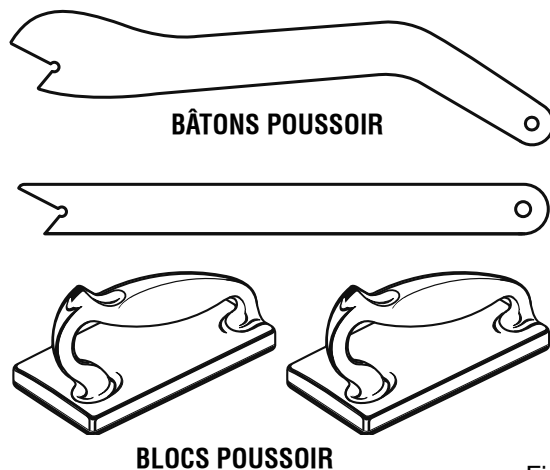


Fig. 27

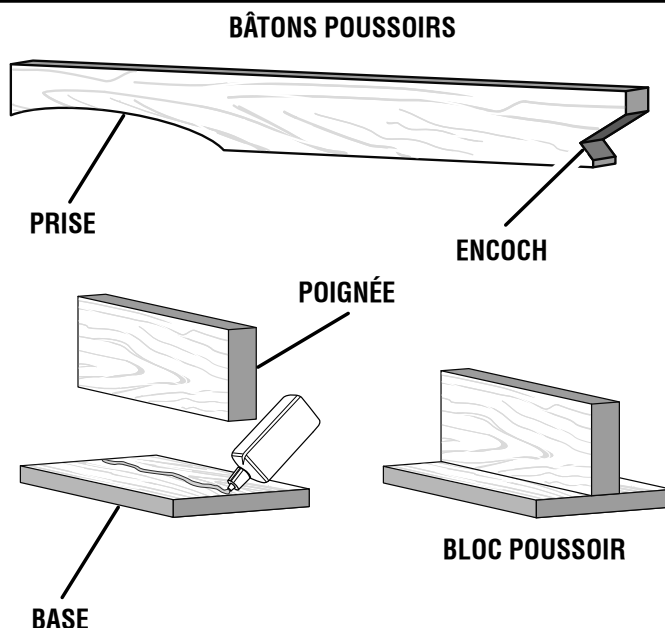


Fig. 28

UTILISATION

SUPPORTS DE LA PIÈCE À TRAVAILLER

Voir la figure 29.

En coupant avec votre scie à table, veiller à ce que la pièce à couper soit correctement soutenue. Bien soutenir la pièce à travailler lors de la découpe permet non seulement d'améliorer la précision de coupe, mais aussi de rendre la coupe plus sécuritaire pour l'utilisateur. Ce support peut être nécessaire à l'entrée, par dessus ou à la sortie de la table. Un mauvais soutien de la pièce à travailler peut faire bouger la pièce de manière inattendue pendant la découpe, surprenant ainsi l'utilisateur de la scie. Cela peut également entraîner l'utilisateur à exercer une force anormale sur la pièce à travailler pour la contrôler lors de la découpe. Ce mouvement de bascule de la pièce à travailler aura lieu, si environ la moitié de la pièce dépasse un bord de la table à scie.

Il est possible d'obtenir aisément un support approprié. Des supports commerciaux sont disponibles ou toute surface de même hauteur que la surface de travail de la scie est acceptable. Une utilisation essayée avant de réaliser la coupe en vrai alertera l'utilisateur si un support est nécessaire pour effectuer la coupe en toute sécurité.

GUIDE AUXILIAIRE

Une guide auxiliaire est un appareil qui est utilisé fermer l'écart entre la guide longitudinal et la table de scie. Toujours la marquer et utiliser un la guide auxiliaire en déchirant du matériel 1/8 po ou plus mince.

COMMENT FABRIQUER ET CONNEXION UNE GUIDE AUXILIAIRE (POUR LA COUPE LONGITUDINAL PIÈCE DE FABRICATION DILUER)

Voir la figure 30.

Un guide auxiliaire peut être fabriqué pour la scie, en découpant un morceau de bois selon les dimensions suivantes : 787 mm (31 po) de long, au moins 19,05 mm (3/4 po) d'épaisseur et au moins 89,90 mm (3-1/2 po) de haut.

NOTE : La hauteur et l'épaisseur du guide auxiliaire peuvent être augmentées selon la taille et le type de la pièce à travailler que vous tentez de couper. Utiliser des guides auxiliaires pour couper les pièces qui dépassent la hauteur du guide longitudinal.

Pour fixer le guide auxiliaire à la guide longitudinal :

- Tourner le guide inférieur afin de l'orienter loin du guide auxiliaire. Voir la partie **Pour utiliser le guide longitudinal** ci-après dans cette section.
- Positionner le bois contre le guide longitudinal et le poser fermement sur la table à scie.
- À partir de l'arrière du guide longitudinal, sécuriser le bois au guide à l'aide des vis à bois.

NOTE : S'assurer que les vis utilisées pour fixer le guide auxiliaire ne traversent pas la face avant du guide.

COMMENT FAIRE UNE SAUTEUSE (POUR LA COUPE LONGITUDINAL LA REFENTE DES PLANCHES PIÈCE)

Voir la figure 31.

Si refente des planches étroites place les mains fermant aussi à la lame, le ce sera nécessaire de faire et utiliser une sauteuse.

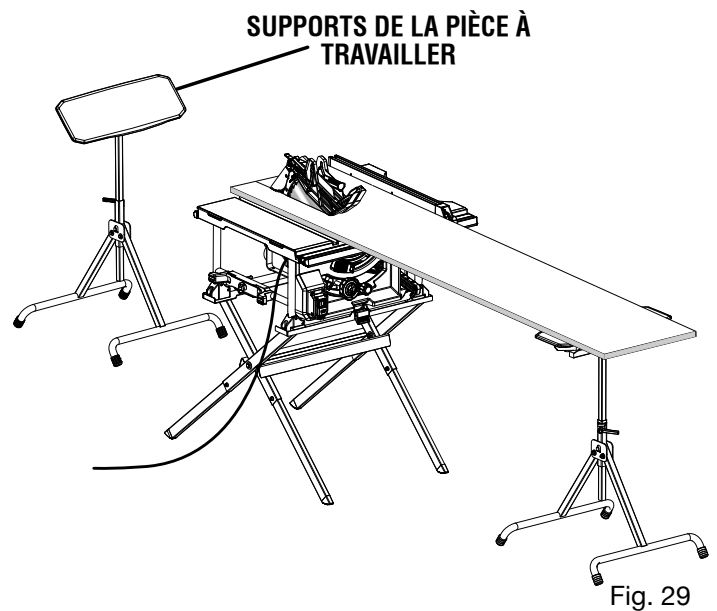


Fig. 29

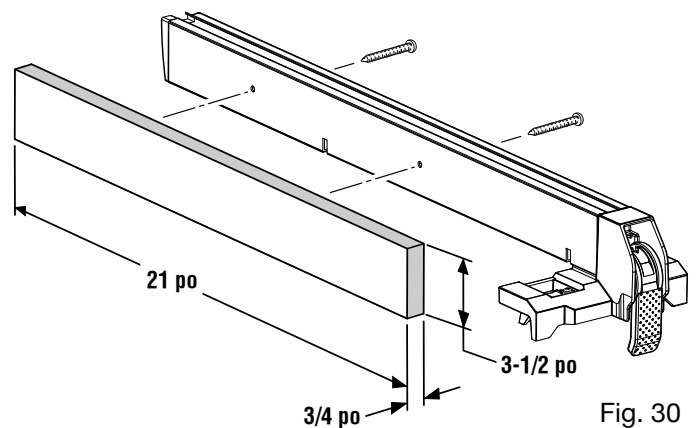


Fig. 30

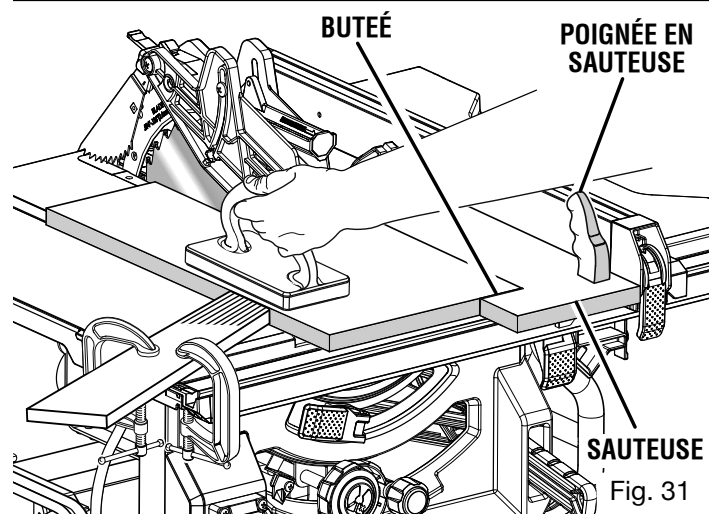


Fig. 31

Pour effectuer une sauteuse:

- Attacher une poignée à un morceau long et droit de bois et obtient du dessous utilisant des vis noyées.
- Couper un arrêt en forme de L dans le côté de la sauteuse.

UTILISATION

Pour utiliser sauteuse:

- Disposer la pièce plate sur la table avec l'éclat de bord contre la sauteuse et contre buté.
- L'avoir la poignée de sauteuse et l'utilisation d'un bâton poussoir et/ou de bloc poussoir, voir ci-après la partie **Coupe longitudinale** dans cette section.

CALE-GUIDE

Une cale-guide est un outil qui permet de contrôler la pièce en la retient fermement contre la table ou le guide. Les cales-guides sont surtout utiles lors de coupes en long de petites pièces et de coupes non traversantes. L'extrémité est oblique, avec plusieurs courtes entailles permettant de maintenir la pièce par friction et les cales guide se fixent sur la table au moyen d'un serre-joint. Vérifier qu'elle peut résister à un rebond.

AVERTISSEMENT :

Placer la cale-guide contre la partie non coupée de la pièce afin d'éviter un rebond qui pourrait entraîner des blessures graves.

Les cales-guides commerciales peuvent être achetées à un prix abordable. De nombreuses cales-guides s'installent à l'intérieur des fentes du guide à onglet de la scie et sont pratiques à poser et utiliser sur la scie à table. Pour fabriquer une cale-guide, suivre les instructions à la partie suivante.

COMMENT FABRIQUER UNE CALE-GUIDE

Voir la figure 32.

La cale-guide est un excellent projet pour la scie. Sélectionner une planche de bois solide d'environ 19 mm (3/4 po) d'épaisseur environ, 63,5 mm (2-1/2 po) de large et 304,8 mm (12 po) de long. Marquer le centre de la largeur sur l'une des extrémités de la planche. Couper une des extrémités à 70° « pour des informations sur les coupes d'onglets, voir la page 39 ». Marquer la planche à 101,6 mm (4 po) de cette point le plus large.

Préparer la scie pour une coupe longitudinale comme expliqué à la page 37. Régler le guide longitudinal afin de pouvoir couper un « doigt » d'environ 6 mm (1/4 po) dans la planche. Avancer la planche seulement jusqu'au repère de 101,6 mm (4 po).

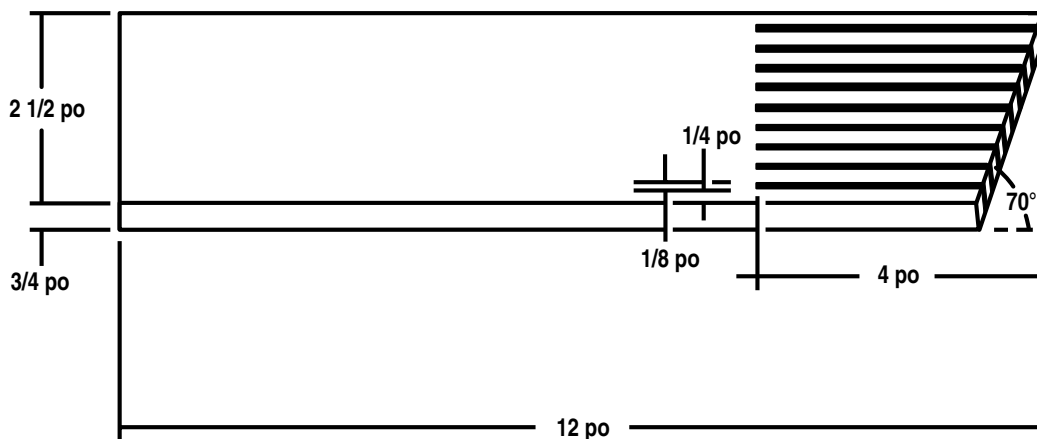


Fig. 32

ARRÊTER la scie et attendre que la lame soit complètement immobilisée avant de retirer la planche. Ajuster le guide et effectuer des coupes longitudinales dans la pièce pour obtenir des entailles d'environ 6 mm (1/4 po), séparées de 3 mm (1/8 po).

COMMENT INSTALLER UNE CALE-GUIDE

Voir la figure 33.

Abaisser complètement la lame. Placer le guide longitudinal à la distance voulue de la lame pour la coupe et le verrouiller. Placer la pièce à couper contre le guide à proximité de la lame. Ajuster la cale-guide de manière à appliquer une résistance juste en avant de la lame. Utiliser un serre-joint pour mieux maintenir les cales-guides contre le bord de la table de la scie.

AVERTISSEMENT :

Le cale-guide doit être installé devant la lame. **Ne pas** placer la cale-guide à l'arrière de la lame. Le rebond peuvent être causé par le pincement de la pièce par la cale-guide et le blocage de la lame dans le trait de scie, lorsque l'entaille n'est pas correctement positionnée. Le non-respect de cette mise en garde peut entraîner des blessures graves.

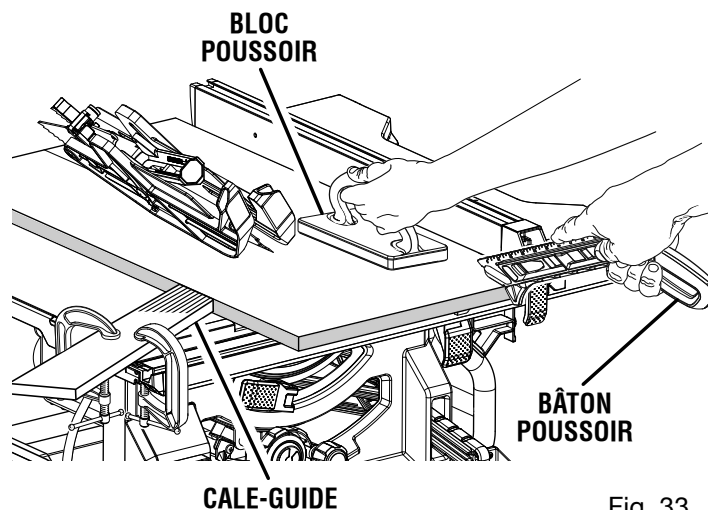


Fig. 33

UTILISATION

TYPES DE COUPE

Voir la figure 34.

Il y a six principaux types de coupe : 1) coupe transversale, 2) coupe longitudinale, 3) coupe d'onglet, 4) coupe transversale en biseau, 5) coupe en long en biseau et 6) coupe d'onglet composé (en biseau). Toutes les autres coupes sont des combinaisons de ces six types de coupe. Les méthodes de travail pour chaque type de coupe sont expliqués plus loin dans cette section.

⚠ AVERTISSEMENT :

Toujours s'assurer que la garde de lame et les griffes antirebond sont en place et fonctionnent correctement pendant les coupes afin d'éviter le risque de blessures.

Les coupes transversales sont des coupes droites à 90° effectuées en travers du grain de la pièce de bois. La pièce est engagée à 90° par rapport à la lame et celle-ci est verticale.

Les coupes longitudinales sont effectuées dans le sens du grain du bois. Afin d'éviter tout rebond pendant une coupe en long, s'assurer qu'un des côtés de la pièce de bois est fermement appuyée contre le guide.

Les coupes d'onglet sont celles effectuées avec la planche sur toute position autre que 90°. La lame est verticale. Les planches ont tendance à glisser pendant la coupe d'onglets. Cela peut être contrôlé en maintenant la pièce fermement contre le le guide d'onglet.

⚠ AVERTISSEMENT :

Toujours utiliser un bâton poussoir lors de la coupe longitudinale de pièces longues et étroites afin d'éviter que les mains n'approchent trop de la lame.

Les coupes en biseau sont effectuées avec la lame en biais. Les coupes transversales en biseau sont effectuées contre le grain du bois et les coupes en long en biseau dans le sens du grain. Le guide longitudinal doit toujours se trouver sur le côté droit de la lame pour les coupes en long en biseau.

Les coupes d'onglet composé (ou en biseau) sont effectuées avec une lame en biais la pièce étant placée en oblique par rapport à la lame. Bien se familiariser avec les coupes transversales, longitudinales, en biseau et d'onglets avant d'essayer d'exécuter une coupe d'onglet composée.

CONSEILS DE COUPE

Les rainages et feuillures sont des coupes non traversantes qui peuvent être soit longitudinales, soit transversales. Lire attentivement et veiller à bien comprendre toutes les sections de ce manuel d'utilisation avant d'entreprendre une coupe quelconque.

⚠ AVERTISSEMENT :

Ne pas utiliser de lames dont la vitesse de rotation nominale est inférieure à celle de l'outil. Le non respect de cet avertissement pourrait entraîner des blessures graves.

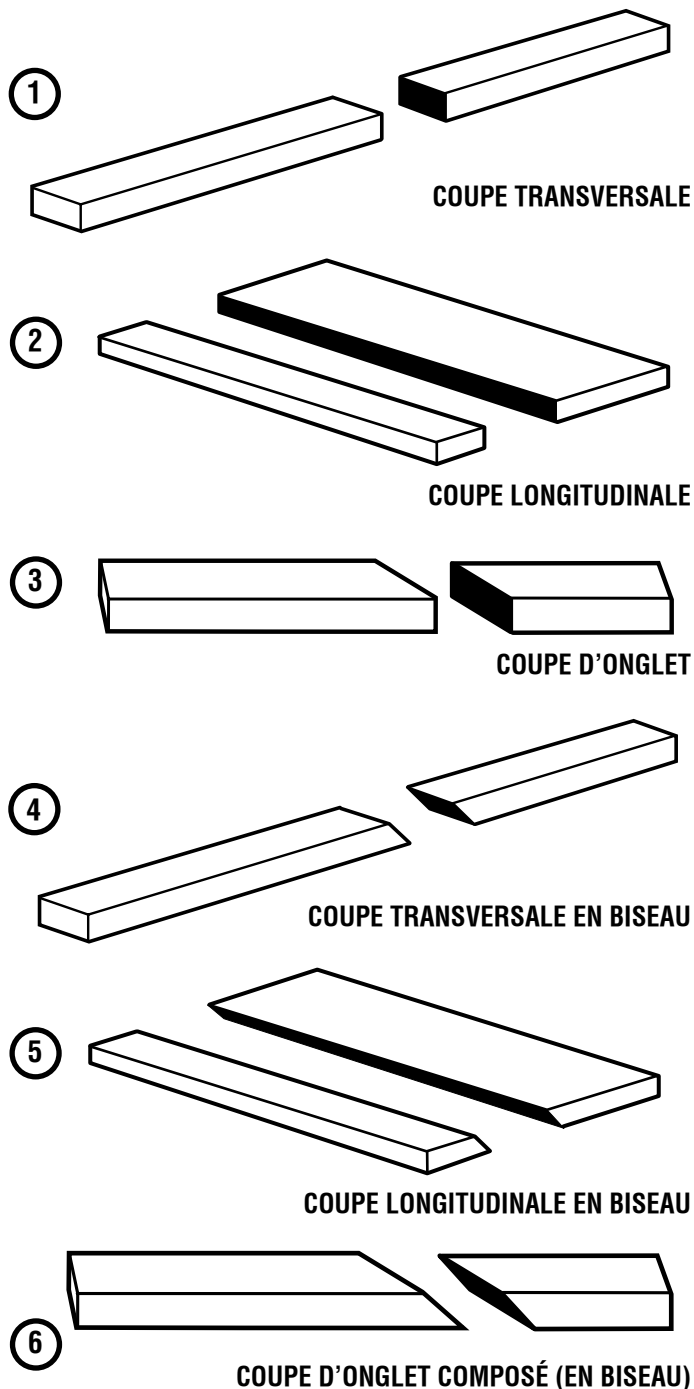


Fig. 34

- Le trait de scie (entaille pratiquée par la lame dans le bois) sera plus large que la lame afin d'éviter une surchauffe ou un blocage. Lors des mesures, ne pas oublier tenir compte du trait de scie.
- S'assurer que le trait de scie est effectué sur le côté chute de la ligne de mesure.
- Couper le bois côté fini vers le haut.
- Retirer les noeuds décollés à l'aide d'un marteau avant d'effectuer la coupe.
- Toujours utiliser un support adéquat sous une planche à la sortie de la scie.

UTILISATION

RÉGLAGE DE LA PROFONDEUR DE LAME

Voir la figure 35 et 36.

La profondeur de coupe doit être réglée pour que les pointes extérieures des dents de la lame dépassent la pièce de bois d'environ 3 à 6 mm (1/8 à 1/4 po) mais que les points les plus bas (creux) soient au-dessous de la surface supérieure de la pièce.

- Relever la lame en tournant le volant de réglage de hauteur / biseau vers la droite.
- L'abaisser en tournant le volant de réglage vers la gauche.

RÉGLAGE DE L'ANGLE DE LAME (BESEAU)

Voir la figure 36.

NOTE : Pour une coupe à 90°, le réglage de biseau est de 0° et pour une coupe à 45°, le réglage est de 45°.

- Débrancher la scie.
- Déverrouiller le levier de verrouillage de biseau en tirant le levier à fond vers la droite.
- Ajustez l'angle de biseau en déplaçant le volant de réglage de hauteur / biseau vers la droite pour augmenter l'angle de la lame ou en le déplaçant vers la gauche pour diminuer l'angle de la lame.
- Verrouillage le levier de verrouillage de biseau en poussant le levier à fond vers la gauche.

RÉGLAGE DE L'INDICATEUR DE BISEAU

Voir la figure 37.

Si l'indicateur de biseau n'est pas sur zéro lorsque la lame de la scie est à 0°, le régler en desserrant la vis et en le plaçant sur la graduation 0° de l'échelle de biseau. Resserrer la vis.

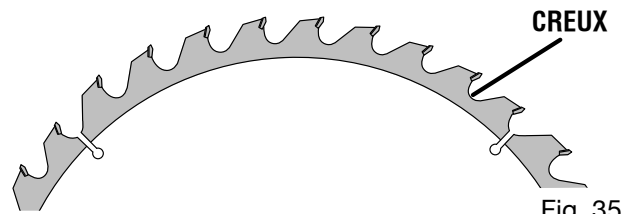


Fig. 35

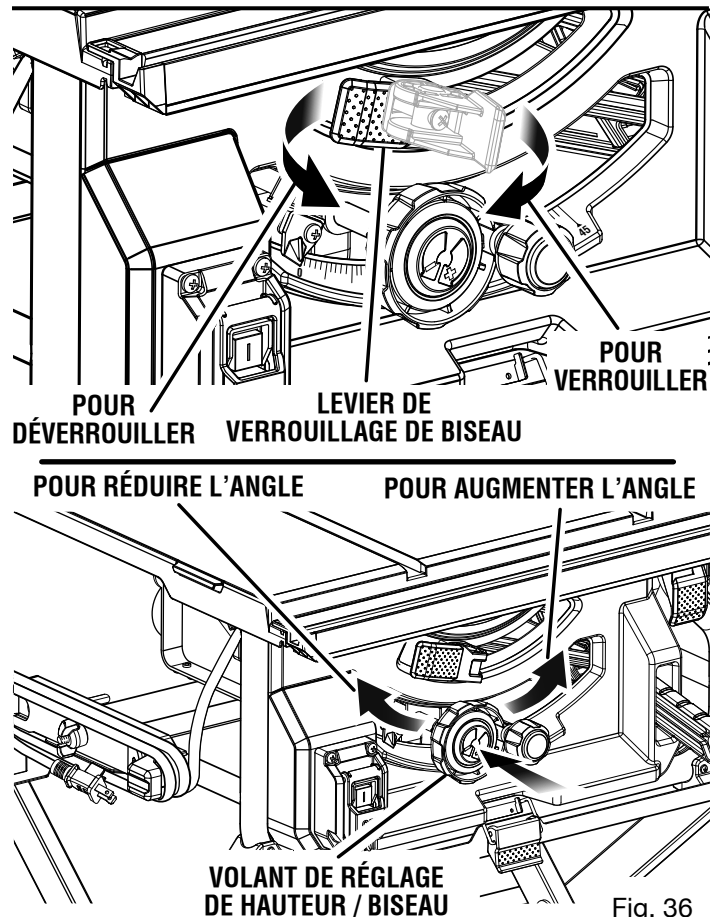


Fig. 36

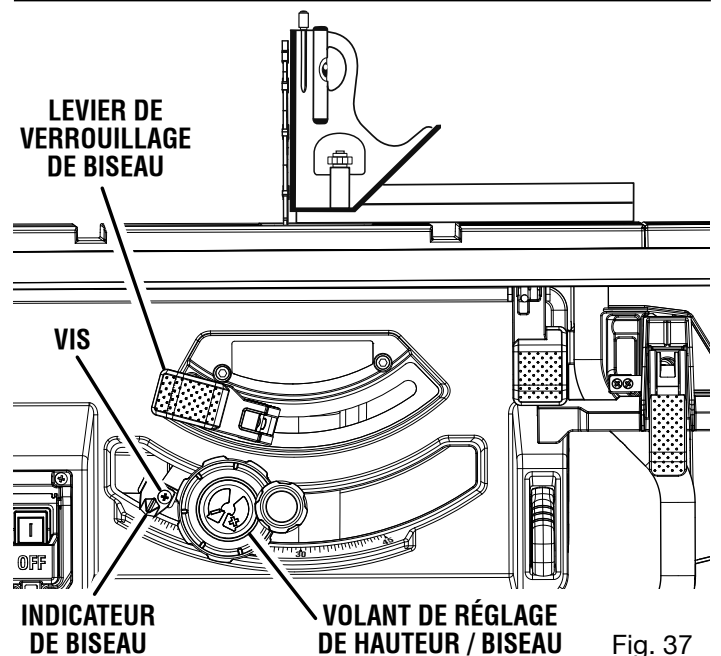


Fig. 37

UTILISATION

POUR UTILISER LE GUIDE LONGITUDINAL

Voir les figures 38 et 39.

AVERTISSEMENT :

Pour réduire le risque de blessures, toujours vérifier que le guide longitudinal est parallèle à la lame avant de commencer une coupe.

NOTE: Le guide longitudinal fourni avec la scie possède un guide inférieur réglable, qui peut être orienté vers l'avant ou loin de la lame. Le guide inférieur doit être orienté loin de la lame, lors de la découpe d'un matériau avec une épaisseur supérieure à 19,05 mm (3/4 po). Le guide inférieur doit faire face à la lame seulement pour couper un matériau avec une épaisseur égale ou inférieure à 19,05 mm (3/4 po). **NE JAMAIS** soutenir le poids d'une pièce à travailler sur le guide inférieur lors d'une coupe.

- Desserrer le guide longitudinal en relevant le levier de verrouillage.
- Placer le rebord arrière du guide sur l'arrière de la scie à table et le tirer légèrement vers l'avant.
- Abaisser l'extrémité avant sur les surfaces de guide du rail avant.
- Vérifier la facilité du glissement.
- Placer le guide longitudinal à la distance voulue de la lame.
- Avec le guide longitudinal à plat sur la table à scie, pousser le guide vers le rail avant pour aligner la guide sur la lame.
- Abaisser le levier de verrouillage pour aligner et bloquer le guide. Si bien verrouillé, le levier de verrouillage devrait être orienté vers le bas.

NOTE: S'assurer que le levier de verrouillage tient bien le guide de refente en place. Si des réglages sont nécessaires, voir **Vérification de l'étanchéité du levier de verrouillage du guide longitudinal** à la section *Réglages* de ce manuel.

NOTE : Si le guide longitudinal n'est pas parallèle à la lame, des ajustements sont nécessaires. Se reporter à la partie **Vérification de l'alignement du guide longitudinal sur la lame** dans la section *Réglages* de ce manuel.

POUR RÉGLER L'ÉCHELLE GRADUÉE SUR LA LAME

Voir la figure 40.

Utiliser l'indicateur sur le guide longitudinal pour positionner le guide par rapport à l'échelle sur le rail devant.

NOTE : Les griffes antirebond et ensemble de garde de lame doit être retirée pour effectuer ce réglage. Une fois le réglage effectué, réinstaller le garde de lame.

Commencer avec la lame réglée sur zéro degré (à la verticale).

- Débrancher la scie.
- Desserrer le guide longitudinal en relevant le levier de verrouillage.
- À l'aide d'une équerre de charpentier, régler le guide longitudinal à 51 mm (2 po) de la pointe des dents de la lame, puis relâchez le levier.

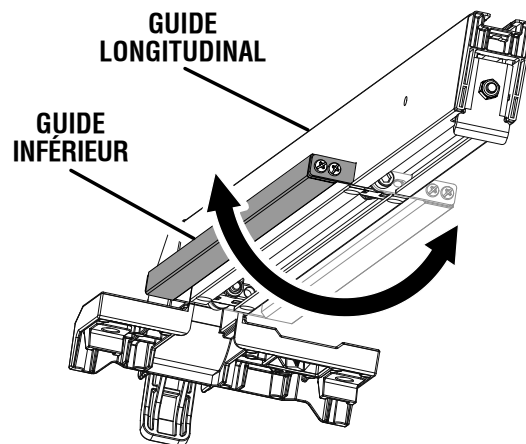


Fig. 38

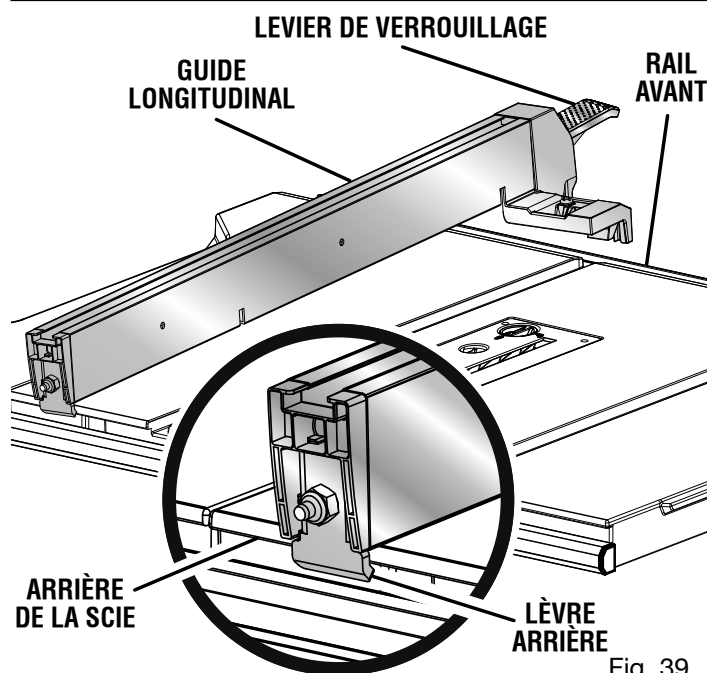


Fig. 39

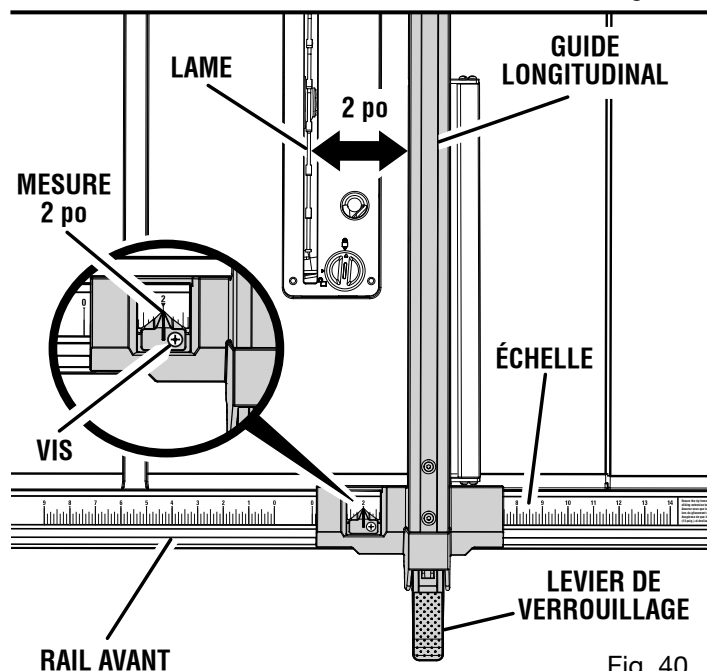


Fig. 40

UTILISATION

NOTE : Positionner le guide inférieur de sorte qu'il soit orienté loin de la lame.

- Desserrer la vis de l'indicateur et placer ce dernier sur la graduation 51 mm (2 po), comme illustré.
- Resserrer la vis, puis vérifier la dimension et la position du guide longitudinal.

NOTE : Lors de l'utilisation du guide inférieur, l'indicateur de l'échelle de refente sera incorrect. Toujours se servir d'un ruban à mesurer pour régler le guide à la bonne position, au moment d'utiliser le guide inférieur.

POUR UTILISER LE GUIDE À ONGLET

Voir la figure 41.

Le guide à onglet permet d'effectuer des coupes angulaires avec plus de précision. Lorsque les tolérances sont réduites, il est recommandé de faire des coupes d'essai.

Le guide d'onglet a deux rainures, une sur chaque côté de la lame. Quand vous faites une coupe transversale de 90°, vous pouvez utiliser l'une ou l'autre rainure. Lorsque vous faites une coupe transversale biseautée (la lame en biais par rapport à la table) le guide à onglet devrait être placé dans la fente à droite de façon à ce que la lame soit orientée loin du guide à onglet et de vos mains.

Le guide d'onglet peut être tourné 60° à droite ou à gauche. Des butées de 0° et de 45° peuvent être réglées en enfonçant la goupille d'arrêt.

- Glisser le guide d'onglet dans la fente du guide d'onglet.
- Desserrer le bouton de verrouillage en la tournant dans le sens contraire à celui des aiguilles d'une montre.
- Retirer la goupille d'arrêt et tournez le guide jusqu'à obtenir l'inclinaison désirée sur l'échelle.
- Resserrer le levier de verrouillage en la tournant dans le sens des aiguilles d'une montre.

UTILISATION DE RALLONGE DE TABLE COULISSANTE

Voir la figure 42.

Augmenter la longueur de la table de scie à l'aide d'une rallonge.

- Verrouiller à 330,20 mm (13 po) le guide longitudinal sur la rallonge de table coulissante.

NOTE : Le guide inférieur devrait toujours être orienté loin de la lame, quand la table est prolongée.

AVERTISSEMENT :

Le guide longitudinal doit être verrouillé à la position de 330,20 mm (13 po) pour assurer l'exactitude de la mesure de l'échelle secondaire et fournir un support adéquat à la pièce à travailler pendant l'utilisation de la table en position rallongée. Un positionnement inadéquat du guide longitudinal cause des mesures erronées de la pièce à travailler et peut entraîner des blessures graves.

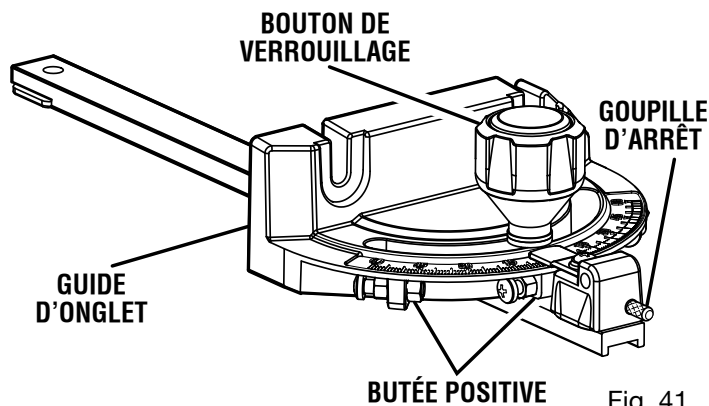


Fig. 41

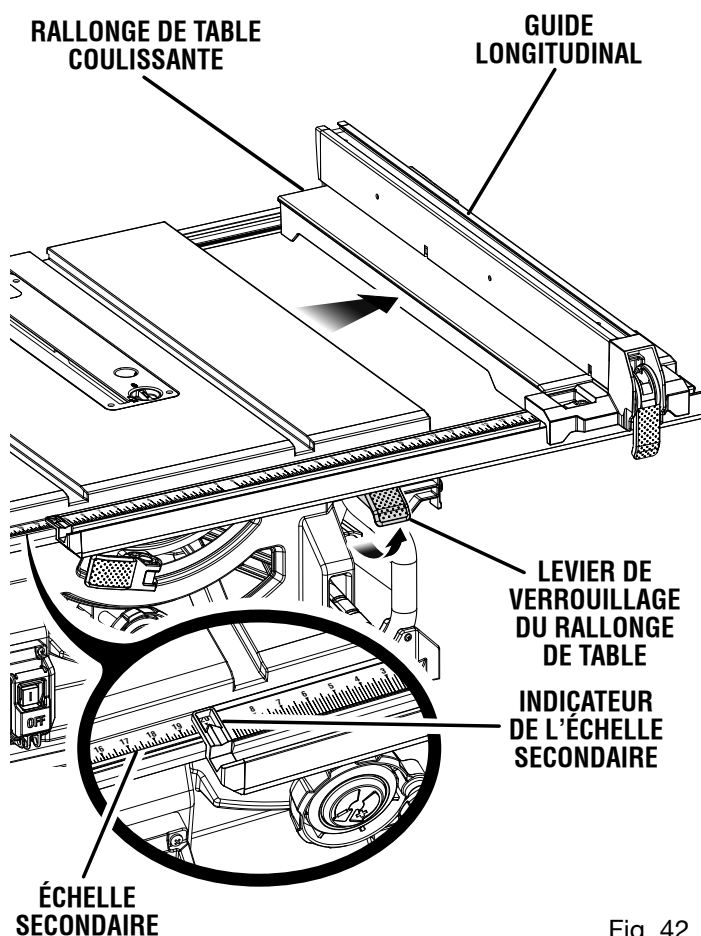


Fig. 42

- Déverrouiller la rallonge de table coulissante en tirant le levier de verrouillage vers le haut.
- Faire glisser la rallonge pour obtenir la largeur désirée.
NOTE : Utiliser l'échelle secondaire située sur le rail avant, quand une largeur spécifique est souhaitée.
- Une fois la rallonge de table coulissante réglée à la largeur voulue, verrouiller le levier avant et arrière en les rabattant vers l'arrière de la base de la scie.

UTILISATION

RÉGLAGE DE LA LAME PARALLÈLEMENT À LA RAINURE DU GUIDE D'ONGLET (SUPPRESSION DU TALON)

Voir les figures 43 à 45.

AVERTISSEMENT :

La lame doit être parallèle à la rainure du guide d'onglet afin que le pièce ne pince pas la lame, entraînant ainsi un rebond. Ne pas prendre cette précaution peut entraîner des blessures graves.

Ne desserrer aucune bouton pour effectuer ce réglage avant d'avoir vérifié le parallélisme avec une équerre et exécuté des coupes d'essai, pour déterminer si des réglages sont nécessaires. Une fois les boutons desserrés, les réglages doivent être refaits.

- Débrancher la scie.
- Retirer la garde de lame, le couteau diviseur et griffes antirebond. Relever la lame au maximum en tournant le volant de réglage de hauteur / biseau.

NOTE : Pour en savoir plus sur la dépose et la réinstallation du couteau diviseur, voir la partie **Nettoyer les plaques du levier de verrouillage du couteau fendeur** dans la section *Entretien* de ce manuel.

- Tracer un repère à côté de l'une des dents de l'avant de la lame. À l'aide d'une règle, mesurer la distance entre la face intérieure de la dent de lame et le rebord gauche de la rainure droite du guide d'onglet.

NOTE : Pour une précision accrue, positionner la dent marquée de la lame sur le dessus de la règle.

- Tourner la lame pour que la dent marquée se trouve à l'arrière.
- Déplacer la règle vers l'arrière et mesurer de nouveau la distance entre la face intérieure d'une dent de lame et le rebord gauche de la rainure droite du guide d'onglet. Si les distances sont identiques, la lame et la rainure du guide à onglet sont parallèles.
- Replacer la garde de lame, le couteau diviseur et griffes antirebond.

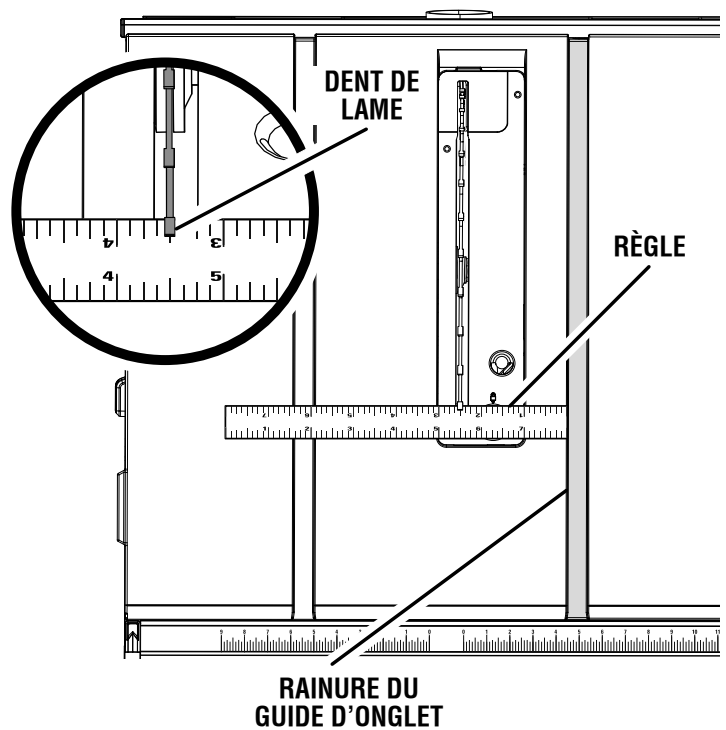


Fig. 43

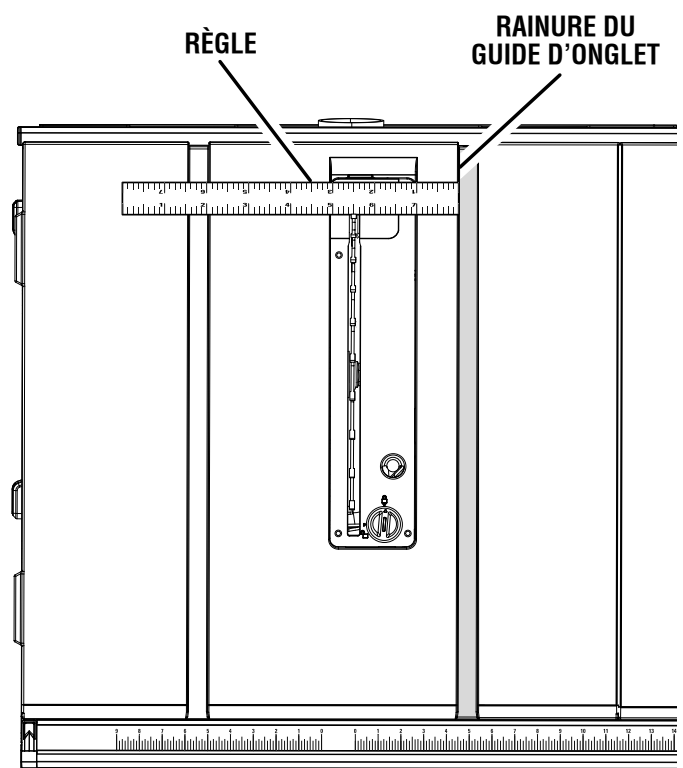


Fig. 44

UTILISATION

Si les distances mesurées sont différentes :

- Retirer la garde de lame, le couteau diviseur et griffes antirebond. Relever la lame au maximum en tournant le volant de réglage de hauteur / biseau.
- Desserrez d'un demi-tour les vis extérieures; ceci permet au mécanisme situé sous la table de se déplacer latéralement.

NOTE : Les vis se trouvent à l'arrière de la scie, sous le dessus de la table à scie.

- Tourner la vis de réglage à gauche ou à droite jusqu'à ce que la lame soit parallèle à la rainure du guide à onglet.
- Serrer vis extérieure. Vérifier de nouveau le parallélisme et poursuivre le réglage au besoin.
- Replacer la garde de lame, le couteau diviseur et griffes antirebond.

AVERTISSEMENT :

Après tout réglage, aligner le guide longitudinal et la lame pour réduire le risque de blessures causées par un rebond. Toujours vérifier que le guide longitudinal est parallèle à la lame avant de commencer une coupe.

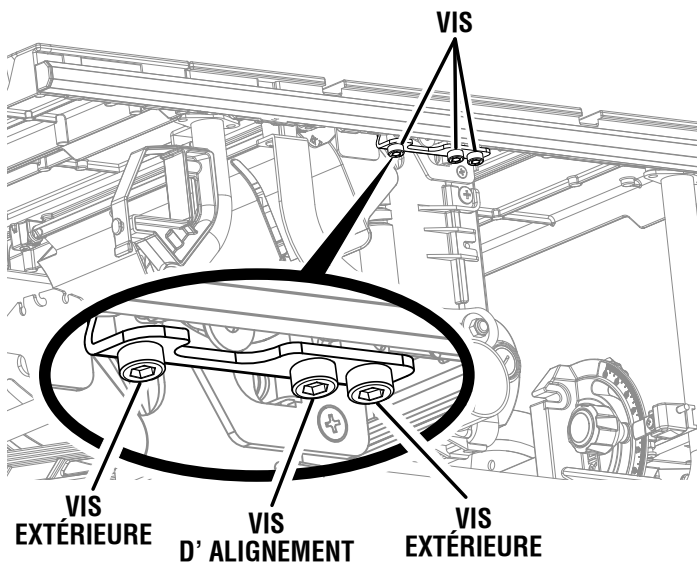


Fig. 45

EXÉCUTION DE COUPES

AVERTISSEMENT :

Avant d'effectuer des coupes, s'assurer que le support de la scie à table est sur une surface ferme et de niveau avec suffisamment d'espace pour manipuler et soutenir correctement la scie à table et la pièce de travail. S'il est impossible de trouver un emplacement convenable, ne pas utiliser la scie. Opérer la scie dans un emplacement qui ne possède pas suffisamment d'espace ainsi qu'une bonne stabilité pour le support de la scie à table peut produire un risque de basculement et causer des blessures graves.

Cette scie à table peut exécuter un assortiment de coupes qui ne sont pas tout mentionné dans ce manuel. NE PAS tenter de faire n'importe quelles coupes n'ont pas couvert ici à moins que vous êtes à fond familier avec les procédures correctes et les accessoires nécessaires. Votre bibliothèque locale a beaucoup de livres sur la scie à table l'usage et les procédures de travail du bois spécialisé pour votre référence.

La lame fournie avec la scie est une lame mixte de haute qualité qui peut être utilisée pour les coupes longitudinales et transversales. Vérifier attentivement tous les réglages et faire tourner la lame d'un tour complet pour assurer qu'elle tourne librement avant de brancher la scie. Se tenir légèrement sur la trajectoire de la lame pour réduire les possibilités de blessure en cas de rebond.

AVERTISSEMENT :

Ne pas utiliser de lames dont la vitesse de rotation nominale est inférieure à celle de l'outil. Le non respect de cet avertissement pourrait entraîner des blessures graves.

Utiliser le guide d'onglet lors de coupes transversales, à onglet, en biseau et à onglet composé. Pour verrouiller l'angle, tourner le bouton de verrouillage du guide d'onglet vers la droite. Toujours serrer fermement le bouton de verrouillage avant d'utiliser la scie.

Pendant l'utilisation, le guide à onglet peut se bouger légèrement vers la gauche ou la droite, à l'intérieur de la rainure du guide à onglet. Pour une meilleure précision lors des découpes, appuyer le guide à onglet contre le bord gauche ou droit de la rainure du guide à onglet. Ne pas laisser le guide se déplacer d'un côté à l'autre.

UTILISATION

Lors de la coupe, toujours placer la pièce à travailler contre la face du guide à onglet. Pour empêcher la pièce à travailler de bouger, attacher un morceau de papier abrasif sur la face du guide à onglet.

NOTE : Il est recommandé de placer la pièce à conserver sur le même côté de la lame que le guide d'onglet et de d'abord faire un essai sur une chute de bois.

COUPE TRANSVERSALE

Voir les figures 46 à 48.

AVERTISSEMENT :

Pour éviter des risques de blessures graves, s'assurer que le protège-lame est installée et fonctionne correctement.

AVERTISSEMENT :

Lors d'une coupe transversale, l'utilisation du guide longitudinal causerait un rebond pouvant causer des blessures graves.

- Retirer le guide en relevant le levier de verrouillage.
 - Régler la profondeur de lame correcte pour la pièce.
 - Régler le guide d'onglet sur 0° et serrer le bouton de verrouillage.
 - Avant d'allumer la scie, s'assurer que la pièce ne touche pas la lame.
 - Appuyer sur le bouton supérieur du commutateur pour mettre la scie en marche.
- NOTE :** Il n'est pas nécessaire de soulever le cache du commutateur pour utiliser le commutateur.
- Appuyer sur le bouton inférieur du commutateur pour éteindre la scie.
- NOTE :** Pour éviter toute utilisation non autorisée, installer un cadenas (non compris) à travers les trous du commutateur et du cache, comme il est illustré à la figure 47.
- Laisser la lame parvenir à sa vitesse maximale avant d'engager la pièce.
 - Maintenir la pièce fermement sur le guide d'onglet et engager la pièce sur la lame.

NOTE : La main la plus proche de la lame doit être placée sur le bouton de verrouillage du guide d'onglet et la main la plus éloignée, sur la pièce à couper.

- Après la coupe, éteindre la scie. Attendre que la lame s'arrête complètement avant de retirer la pièce.

COUPE TRANSVERSALE

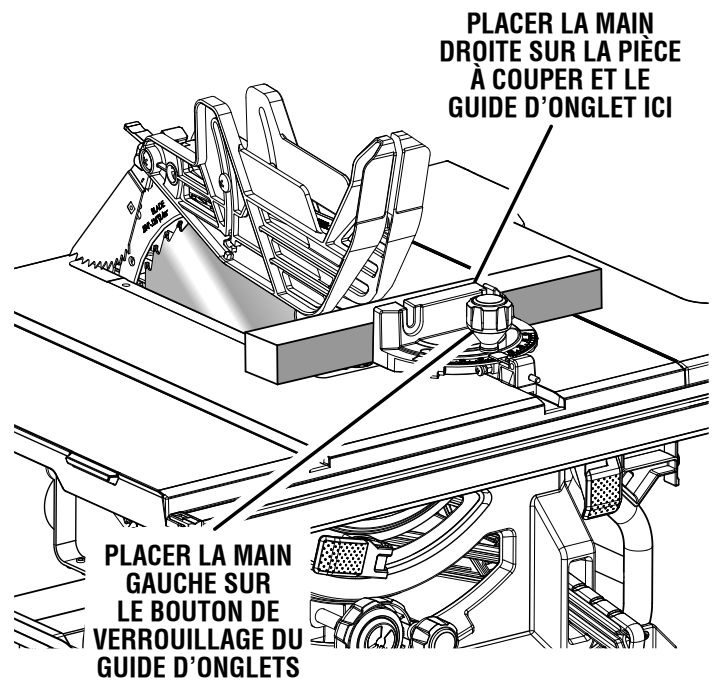
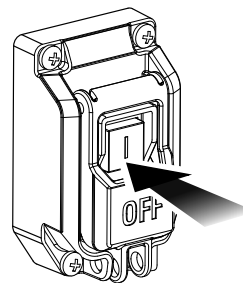
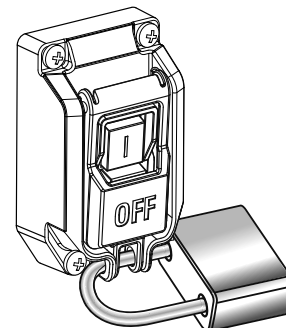
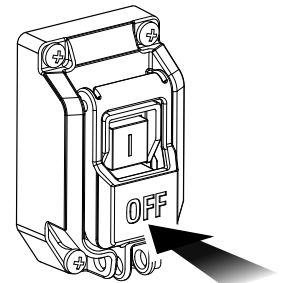


Fig. 46

COMMUTATEUR EN POSITION DE MARCHÉ



COMMUTATEUR EN POSITION D'ARRÊT



COMMUTATEUR EN POSITION VERROUILLÉE

Fig. 47

UTILISATION

Pour effectuer des coupes transversales répétitives :

Un bloc d'arrêt peut servir comme guide d'arrêt pour réaliser des coupes transversales répétitives de même longueur sans avoir à marquer la pièce à travailler pour chaque coupe. L'extrémité d'un bloc d'arrêt doit toujours être devant la lame. **NE JAMAIS** utiliser le guide longitudinal comme guide d'arrêt.

- Enlever le guide longitudinal.
- Régler la lame sur la profondeur adéquate pour la pièce à travailler.
- Régler le guide à onglet sur 0° et serrer le bouton de verrouillage.
- Mettre un bloc de bois de 76,20 mm (3 po) à la distance souhaitée de la lame pour servir de guide d'arrêt.
- Sécuriser le bloc d'arrêt en place avec un étau ou un serre-joint.

AVERTISSEMENT :

Une fois le bloc d'arrêt sécurisé, son extrémité doit se trouver devant la lame. En sécurisant le bloc d'arrêt au-delà du devant de la lame, un rebond se produira et pourrait ainsi entraîner des blessures graves.

- Placer la pièce à travailler sur le guide à onglet avec le bord affleurant le bloc d'arrêt.
- Pour découper une pièce longue ou large, placer au besoin un support de même hauteur que la surface de la table à l'avant de la scie, derrière la scie et sur les côtés de la scie.
- Mettre la scie en marche.
- Tenir fermement la pièce à travailler avec les deux mains sur le guide à onglet et avancer la pièce vers la lame.

NOTE : La main la plus proche de la lame doit être posée sur le bouton de verrouillage du guide à onglet et la main la plus loin de la lame doit reposer sur la pièce à travailler.

- Quand la coupe est terminée, éteindre la scie. Attendre que la lame s'arrête complètement avant d'enlever la pièce coupée.
- Remettre le guide à onglet à l'avant de la scie et positionner la pièce à travailler pour la prochaine coupe.
- Après la dernière coupe, éteindre la scie. Attendre que la lame s'arrête complètement, puis enlever le bloc d'arrêt.

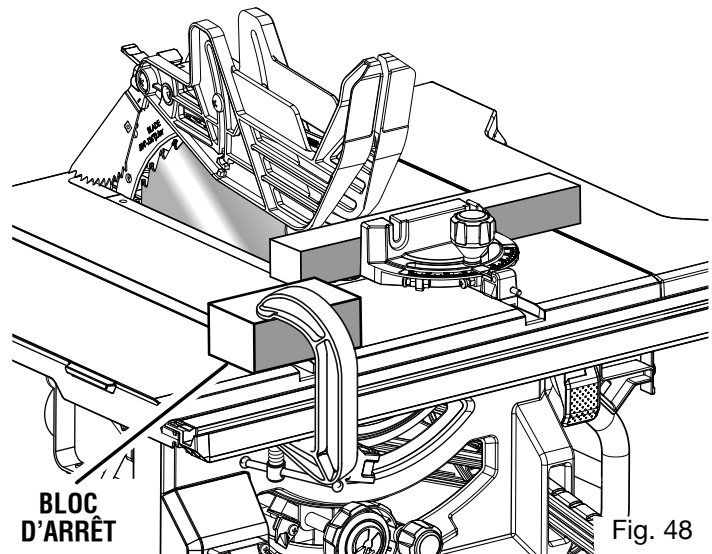
COUPE LONGITUDINALE

Voir les figures 49 et 50.

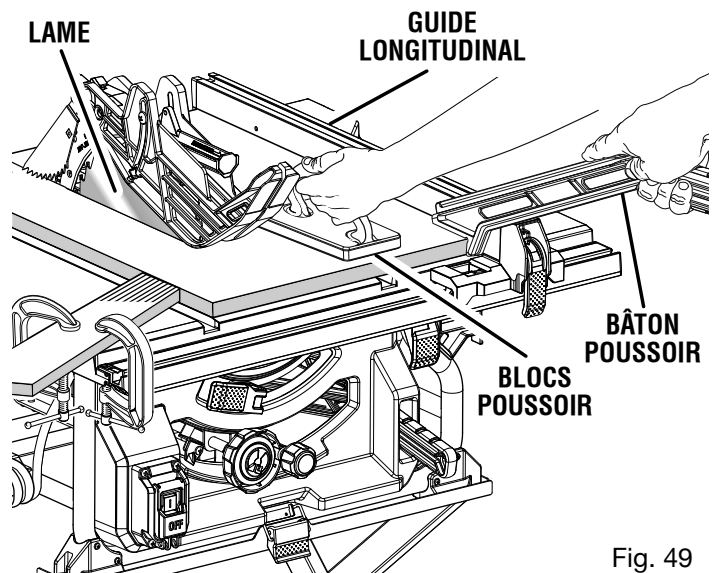
AVERTISSEMENT :

Afin d'éviter le risque de blessures graves, s'assurer que la garde de lame est installée et fonctionne correctement.

COUPES TRANSVERSALES RÉPÉTITIVES



COUPE LONGITUDINALE



AVERTISSEMENT :

Les coupes de effiler doivent être seulement faites avec une sauteuse spéciale, qui est disponible dans le commerce. Ne pas tenter la coupe de effiler de à main levée sur cette scie. Le non respect des instructions de sécurité peut entraîner des blessures graves.

- Régler la lame sur la profondeur de coupe correcte pour la pièce.
- Déplacer le guide inférieur vers le côté approprié du guide longitudinal et installer le guide longitudinal.

NOTE : Le guide inférieur doit faire face à la lame seulement pour couper un matériau avec une épaisseur égale ou inférieure à 19,05 mm (3/4 po). Les pièces à travailler d'une épaisseur supérieure à 19,05 mm (3/4 po) peuvent être

UTILISATION

instables et nécessiter d'autres soutiens pour assurer la stabilité lors de la découpe.

- Placer le guide longitudinal à la distance voulue de la lame pour la coupe et verrouiller fermement la poignée.
- Pour découper une pièce longue ou large, placer au besoin un support de même hauteur que la surface de la table à l'avant de la scie, derrière la scie et sur les côtés de la scie.
- Installer la cale-guide en la position appropriée pour le type de coupe.
- Avant d'allumer la scie, s'assurer que le pièce ne touche pas la lame.
- Mettre le commutateur en position de marche.
- Placer la pièce à couper à plat sur la table, son bord solidement appuyé contre le guide longitudinal. Laisser la lame parvenir à sa vitesse maximum avant d'engager la pièce.
- Avec un bloc et/ou un bâton pousoir, pousser lentement la pièce vers la lame. Se tenir légèrement sur le côté du bois au moment du contact avec la lame pour réduire les possibilités de blessure en cas de rebond.
- Une fois la pièce en contact avec la lame, utiliser la main la plus proche du guide longitudinal pour guider la pièce. S'assurer que le bord de la pièce est fermement en contact avec le guide longitudinal et la surface de la table. Lors de la coupe longitudinale d'une pièce étroite, la pousser avec un bâton jusqu'au delà de la lame.
- Une fois la coupe effectuée, arrêter la scie. Attendre que la lame s'arrête complètement avant de retirer la pièce.

Pour réaliser des coupes longitudinales d'une largeur inférieure à 50,80 mm (2 po) :

Si un gabarit longitudinal étroit n'est pas utilisé, le guide longitudinal fourni avec la scie est équipé d'un guide inférieur pour permettre les coupes longitudinales étroites.

NOTE : Pour des coupes d'une épaisseur inférieure à 50,80 mm (2 po), mesurer la distance de la lame au guide à l'aide d'un ruban à mesurer. Ne pas se servir de l'échelle de refente lorsque le guide inférieur est utilisé.

AVERTISSEMENT :

Au moment de réaliser des coupes longitudinales étroites, s'assurer que la pièce à couper ne puisse pas tomber dans la plaque à gorge de la scie. Si cette pièce tombe dans la plaque à gorge, cela peut endommager la garde sous la table et créer une situation dangereuse pour l'utilisateur.

- Déplacer le guide inférieur pour qu'il soit en face de la lame et installer le guide longitudinal.

NOTE : Le guide longitudinal fourni avec la scie possède un guide inférieur réglable, qui peut être orienté vers l'avant ou loin de la lame. Le guide inférieur doit être orienté loin de la lame, lors de la découpe d'un matériau avec une épaisseur supérieure à 19,05 mm (3/4 po). Le guide inférieur doit faire

face à la lame seulement pour couper un matériau avec une épaisseur égale ou inférieure à 19,05 mm (3/4 po).

- Soulever l'entrave droite ou gauche du protège-lame et l'abaisser sur la pièce à travailler ou le guide longitudinal étroit, afin de couvrir la zone de coupe pendant cette opération.
- Sécuriser le guide longitudinal.
- Placer la pièce à travailler à plat sur la table avec le bord affleurant le guide inférieur.
- À l'aide d'un bloc pousoir ou d'un bâton pousoir, réaliser la coupe longitudinale. Consulter la partie précédente **Coupe longitudinale** dans cette section.

NOTE : Cette technique est destinée aux coupes longitudinales étroites des pièces à travailler d'une épaisseur égale ou inférieure à 19,05 mm (3/4 po). Pour effectuer des coupes longitudinales étroites sur un matériau plus épais, utiliser un gabarit longitudinal étroit. Consulter la partie précédente **Comment Faire une sauteuse (pour la coupe longitudinal la refente des planches pièce)** dans cette section.

NOTE : L'opération de coupe illustrée à la figure 50 positionnera en résultat la pièce sauvegardée entre le guide longitudinal et le côté droit de la lame. Alternativement, il est possible de placer le guide longitudinal et la partie large de la pièce à travailler sur le côté droit de la lame, ce qui placera la pièce sauvegardée sur la gauche.

COUPE LONGITUDINALE ÉTROITE

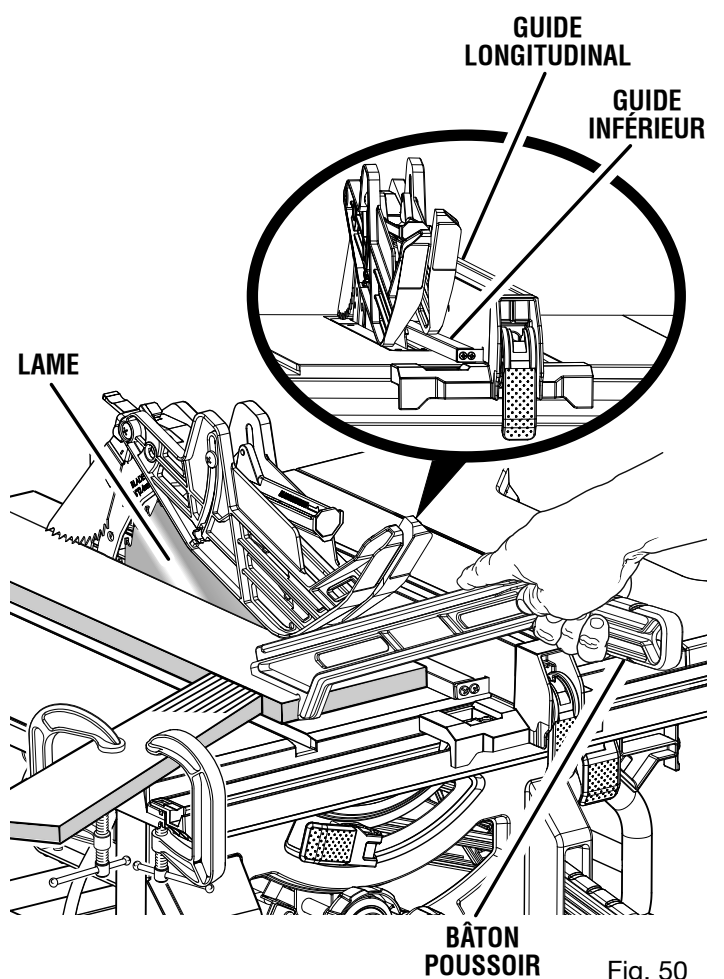


Fig. 50

UTILISATION

COUPE D'ONGLET

Voir la figure 51.

AVERTISSEMENT :

Afin d'éviter le risque de blessures graves, s'assurer que la garde de lame est installée et fonctionne correctement.

- Régler la lame sur la profondeur de coupe correcte pour la pièce.
- Retirer le guide longitudinal.
- Régler le guide d'onglet sur l'angle voulu et serrer le bouton de verrouillage.
- Avant de mettre la scie en marche, s'assurer que la pièce ne touche pas la lame.
- Mettre le commutateur en position de marche.
- Laisser la lame parvenir à sa vitesse maximale avant d'engager la pièce.
- Maintenir la pièce fermement avec les deux mains sur le guide d'onglet et engager la pièce sur la lame.

NOTE : La main la plus proche de la lame doit être placée sur le bouton de verrouillage du guide d'onglet et la main la plus éloignée, sur la pièce à couper.

- Une fois la coupe effectuée, arrêter la scie. Attendre que la lame s'arrête complètement avant de retirer la pièce.

COUPE TRANSVERSALE EN BISEAU

Voir les figures 52 et 53.

AVERTISSEMENT :

Afin d'éviter le risque de blessures graves, s'assurer que la garde de lame est installée et fonctionne correctement.

AVERTISSEMENT :

Pour éviter de coincer le bois et causer un rebond, le guide d'onglet doit toujours se trouver sur la droite de la lame. Le placement du guide d'onglet sur la gauche de la lame causerait un rebond susceptible d'entraîner des blessures graves.

- Retirer le guide longitudinal.
- Désengager le levier de verrouillage de biseau.
- Ajuster le guide de biseau sur l'angle désiré.
- Engager le levier de verrouillage de biseau.
- Régler la lame sur la profondeur de coupe correcte pour la pièce.
- Régler le guide d'onglet sur 0° et serrer le bouton de verrouillage.
- Avant de mettre la scie en marche, s'assurer que la pièce ne touche pas la lame.
- Mettre le commutateur en position de marche.

COUPE D'ONGLET

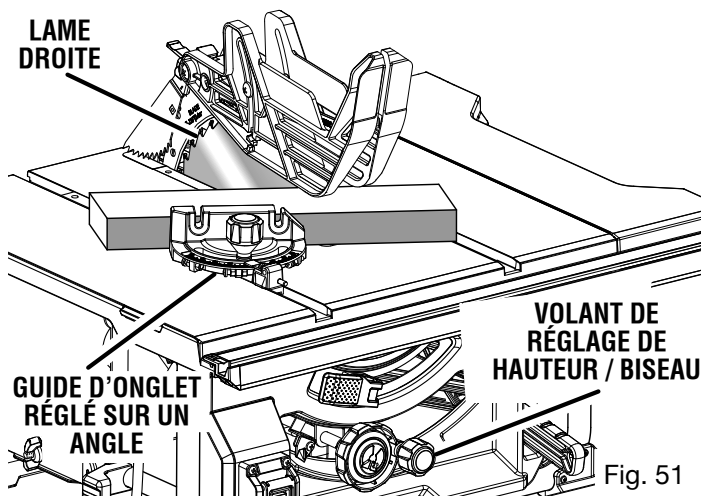


Fig. 51

VUE DE FACE, AU-DESSOUS DE LA SCIE À TABLE

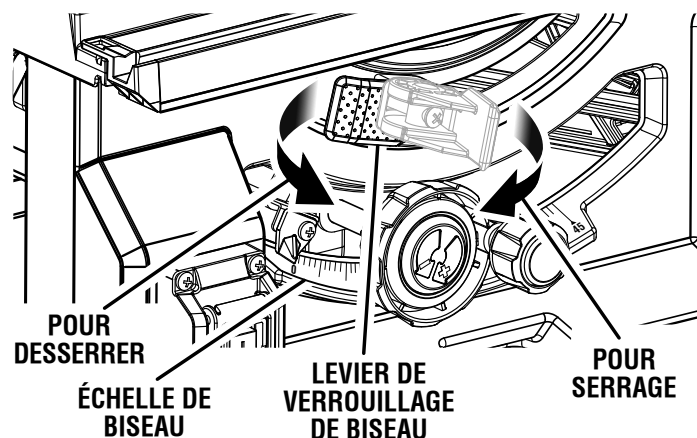


Fig. 52

COUPE TRANSVERSALE EN BISEAU

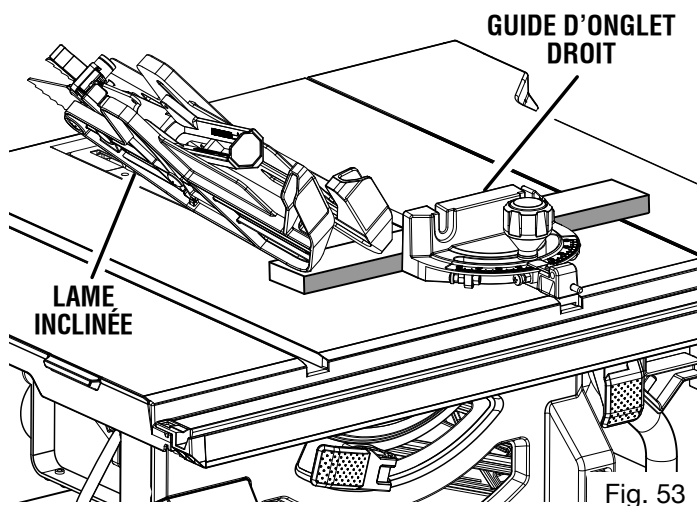


Fig. 53

- Laisser la lame parvenir à sa vitesse maximale avant d'engager la pièce.
- Maintenir la pièce fermement avec les deux mains sur le guide d'onglet et engager la pièce sur la lame.

UTILISATION

NOTE : La main la plus proche de la lame doit être placée sur le bouton de verrouillage du guide d'onglet et la main la plus éloignée, sur la pièce à couper.

- Une fois la coupe effectuée, arrêter la scie. Attendre que la lame s'arrête complètement avant de retirer la pièce.

COUPE LONGITUDINALE EN BISEAU

Voir la figure 54.

AVERTISSEMENT :

Afin d'éviter le risque de blessures graves, s'assurer que la garde de lame est installée et fonctionne correctement.

AVERTISSEMENT :

The rip fence must be on the right side of the blade to avoid trapping the wood and causing kickback. Placement of the rip fence to the left of the blade will result in kickback and the risk of serious personal injury.

- Retirer le guide d'onglet.
- Installer la cale-guide en la position appropriée pour le type de coupe.
- Désengager le levier de verrouillage de biseau.
- Ajuster le guide de biseau sur l'angle désiré.
- Engager le levier de verrouillage de biseau.
- Régler la lame sur la profondeur de coupe correcte.
- Placer le guide longitudinal à la distance voulue de la lame pour la coupe et verrouiller fermement la poignée.
- Avant de mettre la scie en marche, s'assurer que la pièce ne touche pas la lame.
- Pour découper une pièce longue ou large, placer au besoin un support de même hauteur que la surface de la table à l'avant de la scie, derrière la scie et sur les côtés de la scie.

- Mettre la scie en marche.
- Placer la pièce à couper à plat sur la table, son bord solidement appuyé contre le guide longitudinal. Laisser la lame parvenir à sa vitesse maximum avant d'engager la pièce.
- Avec un bloc et/ou un bâton pousoir, pousser lentement la pièce vers la lame. Se tenir légèrement sur le côté du bois au moment du contact avec la lame pour réduire les possibilités de blessure en cas de rebond.
- Une fois la pièce en contact avec la lame, utiliser la main la plus proche du guide longitudinal pour guider la pièce. S'assurer que le bord de la pièce est fermement en contact avec le guide longitudinal et la surface de la table. Lors de la coupe longitudinale d'une pièce étroite, la pousser avec un bâton jusqu'au delà de la lame.
- Une fois la coupe effectuée, arrêter la scie. Attendre que la lame s'arrête complètement avant de retirer la pièce.

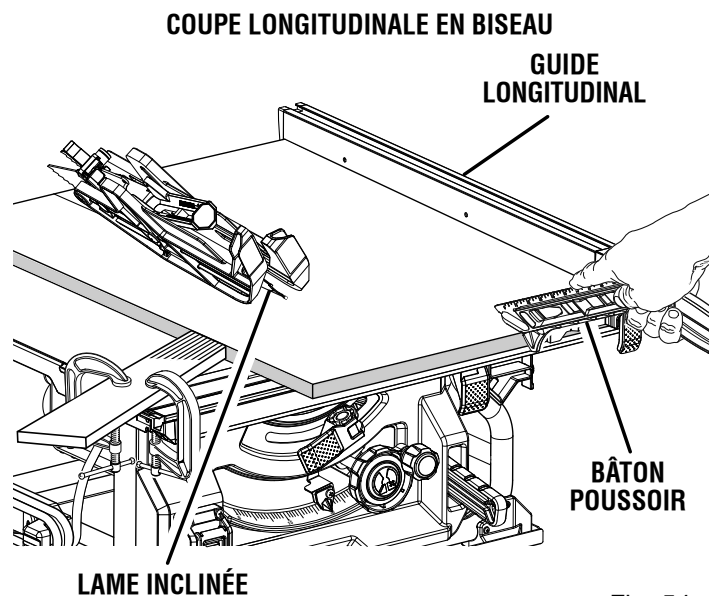


Fig. 54

UTILISATION

COUPE D'ONGLET COMPOSÉ (EN BISEAU)

Voir la figure 55.

AVERTISSEMENT :

Afin d'éviter le risque de blessures graves, s'assurer que la garde de lame est installée et fonctionne correctement.

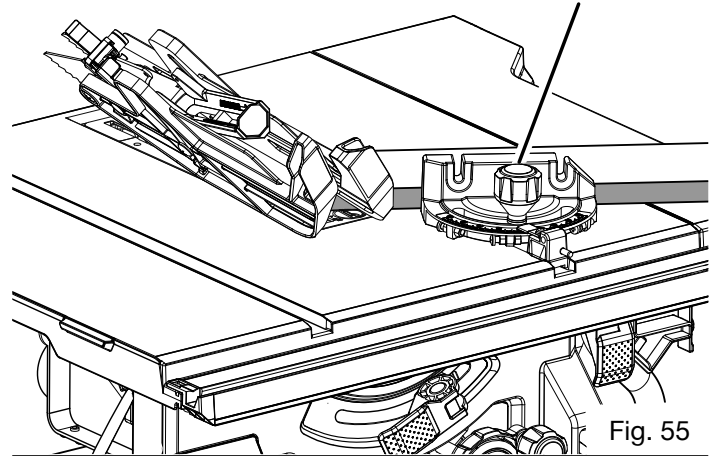
AVERTISSEMENT :

Pour éviter de coincer le bois et causer un rebond, le guide d'onglet doit toujours se trouver sur la droite de la lame. Le placement du guide d'onglet sur la gauche de la lame causerait un rebond susceptible d'entraîner des blessures graves.

- Retirer le guide longitudinal.
- Désengager le levier de verrouillage de biseau.
- Ajuster le guide de biseau sur l'angle désiré.
- Engager le levier de verrouillage de biseau.
- Régler la lame sur la profondeur de coupe correcte.
- Régler le guide d'onglet sur l'angle voulu et serrer le bouton de verrouillage.
- Avant de mettre la scie en marche, s'assurer que le pièce ne touche pas la lame.
- Mettre le commutateur en position de marche.

COUPE D'ONGLET COMPOSÉ (EN BISEAU)

PLACER LA MAIN GAUCHE
SUR LE GUIDE D'ONGLET ICI



- Laisser la lame parvenir à sa vitesse maximale avant d'engager la pièce.
- Maintenir la pièce fermement avec les deux mains sur le guide d'onglet et engager la pièce sur la lame.
- **NOTE :** La main la plus proche de la lame doit être placée sur le bouton de verrouillage du guide d'onglet et la main la plus éloignée, sur la pièce à couper.
- Une fois la coupe effectuée, arrêter la scie. Attendre que la lame s'arrête complètement avant de retirer la pièce.

UTILISATION

COUPE D'UNE PIÈCE DE GRANDE TAILLE

Voir la figure 56.

S'assurer que la scie est solidement assujettie sur le plan de travail, afin que le poids d'une grande planche ne risque pas de la faire basculer.

AVERTISSEMENT :

Afin d'éviter le risque de blessures graves, s'assurer que la garde de lame est installée et fonctionne correctement.

AVERTISSEMENT :

Ne jamais effectuer de coupes à main levée (coupes sans le guide d'onglet ou le guide longitudinal), ce qui pourrait entraîner des blessures graves.

- Installer la cale-guide en la position appropriée pour le type de coupe.
- Pour découper une pièce longue ou large, placer au besoin un support de même hauteur que la surface de la table à l'avant de la scie, derrière la scie et sur les côtés de la scie.

AVERTISSEMENT :

Un soutien incorrect de la pièce de travail sur le côté et/ou le côté sortant de la scie peut créer un mouvement inattendu de la pièce de travail et/ou la scie, ce qui peut entraîner des blessures corporelles graves.

- Selon la forme de la planche, utiliser le guide longitudinal ou le guide d'onglet. Si la planche est trop grande pour permettre d'utiliser le guide longitudinal ou le guide d'onglet, elle est trop grande pour cette scie.
- Avant de mettre la scie en marche, s'assurer que la pièce ne touche pas la lame.
- Mettre le commutateur en position de marche.

COUPE D'UNE PLANCHE DE GRANDE TAILLE

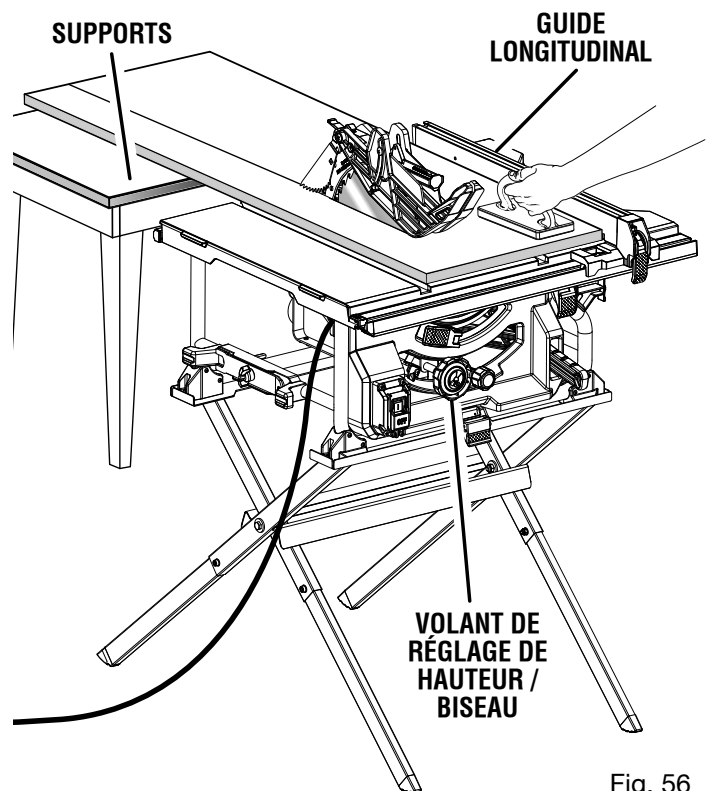


Fig. 56

- Placer la pièce à couper à plat sur la table, son bord solidement appuyé contre le guide longitudinal. Laisser la lame parvenir à sa vitesse maximum avant d'engager la pièce.
- Avec un bloc et/ou un bâton poussoir, pousser lentement la pièce vers la lame. Se tenir légèrement sur le côté du bois au moment du contact avec la lame pour réduire les possibilités de blessure en cas de rebond.
- Une fois que la lame ait touché la pièce, utiliser la main la plus proche du guide longitudinal pour guider la pièce. S'assurer que le bord de la pièce est fermement en contact avec le guide longitudinal et la surface de la table. Lors de la coupe longitudinale d'une pièce étroite, la pousser avec un bâton jusqu'au delà de la lame.
- Une fois la coupe effectuée, arrêter la scie. Attendre que la lame s'arrête complètement avant de retirer la pièce.

UTILISATION

COUPE NON TRAVERSANTE

Voir la figure 57.

Les coupes non traversantes (a fait avec une norme lame de 10 po) peuvent être effectuées avec le grain (longitudinale) ou contre le grain (transversale). L'utilisation d'une coupe non traversante est essentielle pour couper les rainures et les feuillures. Seul ce type de coupe est effectué sans le garde lame. S'assurer que la garde de lame est réinstallée après avoir exécuté de telles coupes. Outre la présente section sur les coupes non traversantes ou de rainage, lire la section appropriée sur le type de coupe. Par exemple, si la coupe non traversante est transversale, lire et comprendre la section sur les coupes transversales avant de procéder.

AVERTISSEMENT :

Lors d'une coupe non traversante, la lame est couverte par la pièce pendant la plus grande partie de la coupe. Se méfier de la lame exposée au début et à la fin de chaque coupe pour éviter le risque de blessures graves.

AVERTISSEMENT :

Avec les coupes non traversantes telles que les feuillures ou les rainages, ne jamais engager le bois avec les mains. Pour éviter des blessures, toujours utiliser un bloc / bâton poussoir et des cales guide.

- Débrancher la scie.
- Retirer la garde de lame et griffes antirebond.
- Placer le couteau diviseur en la position « en bas ».
- Désengager le levier de verrouillage de biseau.
- Ajuster le guide de biseau sur l'angle désiré.
- Engager le levier de verrouillage de biseau.
- Régler la profondeur de lame correcte pour la pièce.
- Selon la forme et de la taille du bois, utiliser le guide longitudinal ou le guide d'onglet.
- Brancher la scie et tourner le scie.

COUPE NON TRAVERSANTE

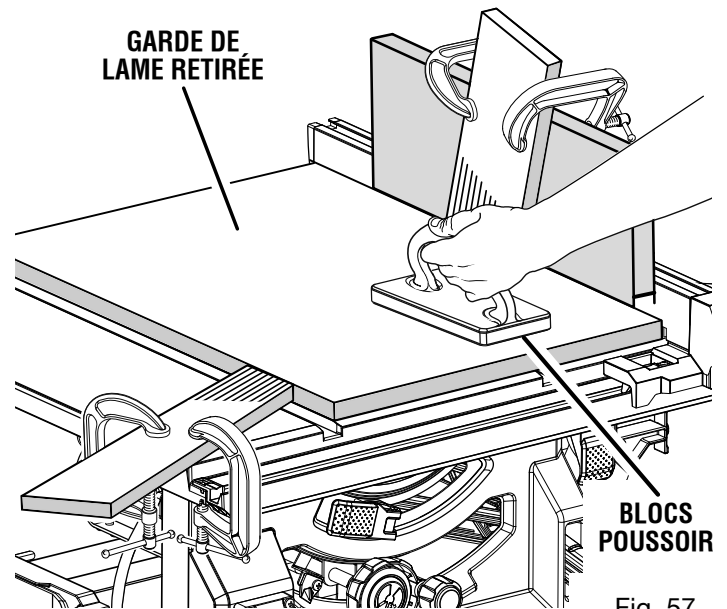


Fig. 57

- Laisser la lame parvenir à sa vitesse maximale avant d'engager la pièce.
- Toujours utiliser un bloc poussoir, un bâton poussoir et / ou une cale-guide appropriée lors des coupes non traversantes, pour réduire des blessures graves.
- Une fois la coupe effectuée, arrêter la scie. Attendre que la lame s'arrête complètement avant de retirer la pièce.

NOTE: Une coupe longitudinale non traversante est illustrée à la figure ci-dessus. Pour réaliser des coupes transversales non traversantes, enlever le protège-lame et les griffes antirebond. Placer le couteau diviseur en position « en bas » et effectuer la coupe transversale. Voir la partie précédente **Coupe transversale** dans cette section.

Une fois toutes les coupes non traversantes terminées :

- Débrancher la scie.
- Placer le couteau diviseur en la position « en haut ».
- Réinstaller la garde de lame et griffes antirebond.

UTILISATION

EXÉCUTION D'UN RAINAGE

Voir la figure 58.

Une plaque à gorge spéciale en option est requise pour cette procédure (voir la section *Accessoires* de ce manuel et consulter le magasin le plus proche). Toutes les lames standard, à rainurer et moulurer doivent présenter une vitesse de rotation nominale est inférieure à celle de l'outil. La scie est conçue pour être utilisée avec des lames à rainure double de 152,4 mm (6 po) (avec une épaisseur jusqu'à 13 mm [1/2 po]). Ne pas utiliser une lame réglable ou les coupeurs de moulure sur cette scie.

Les coupes de feuillure sont des coupes de rainurage faites sur l'extrémité d'une pièce à travailler. Pour obtenir de meilleurs résultats, réaliser les coupes de feuillure à l'aide d'une lame à rainurer.

NOTE : Utiliser un guide auxiliaire pour les coupes de feuillure, afin d'éviter que la face du guide longitudinal ne touche la lame à rainurer pendant la découpe.

AVERTISSEMENT :

Lors d'une coupe non traversante, la lame est couverte par la pièce pendant la plus grande partie de la coupe. Se méfier de la lame exposée au début et à la fin de chaque coupe pour éviter le risque de blessures graves.

AVERTISSEMENT :

Toujours placer les rondelles de lame, les entretoises et les écrous à l'emplacement correct lors du changement de la lame. Ne pas prendre cette précaution pourrait entraîner des blessures graves et des dommages à l'outil.

AVERTISSEMENT :

Toujours utiliser un bloc poussoir, un bâton poussoir et / ou une cale-guide lors du rainage, pour éviter des blessures graves.

- Débrancher la scie.
- Retirer la garde de lame, griffes antirebond, la plaque à gorge, et le couteau diviseur.
NOTE: Pour en savoir plus sur la dépose et la réinstallation du couteau diviseur, voir la partie **Nettoyer les plaques du levier de verrouillage du couteau fendeur** dans la section *Entretien* de ce manuel.
- Retirer écrou de lame, rondelle de la lame extérieure, lame de scie, rondelle de la lame intérieure et entretoise.
NOTE : Toujours mettre la rondelle de lame et la plaque à gorge à l'emplacement verrouiller.
- Réinstaller et serrer fermement l'écrou de lame.
- Monter la lame, selon les instructions de fabricant, à rainurer à l'aide de la lame et des cales appropriées pour obtenir la largeur de coupe désirée.
- Réinstaller le écrou de lame.
NOTE : La rondelle de lame ne peut être utilisée que si l'axe dépasse légèrement de l'écrou.

COUPE NON TRAVERSANTE

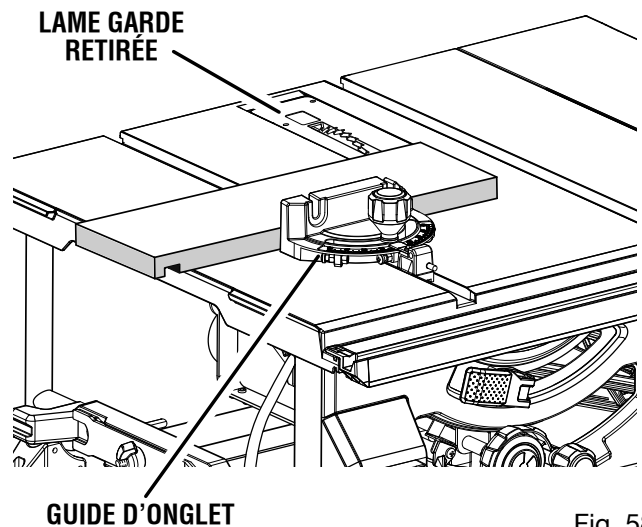


Fig. 58

- S'assurer que écrou de lame est pleinement engagé et l'axe dépasse d'au moins un filetage complet de écrou de lame fermement serré.
- Placer le levier de degagement du couteau diviseur en la posición verrouillée.
- Installer la plaque à gorge de rainage et faire tourner la lame à la main pour s'assurer qu'elle fonctionne librement et l'abaisser.
- Selon la forme et de la taille du bois, utiliser le guide longitudinal ou le guide d'onglet.
- Si faire une coupe longitudinal, installer la cale-guide en la position appropriée pour le type de coupe.
- Mettre le commutateur en position de marche.
NOTE : Avant de mettre la scie en marche, s'assurer que la pièce ne touche pas la lame. Laisser la lame parvenir à sa vitesse maximum avant d'engager la pièce.
- Placer la pièce à couper à plat sur la table, son bord solidement appuyé contre le guide longitudinal ou le guide d'onglet.
- Utiliser un bloc ou un bâton poussoir pour pousser le bois au-delà de la lame. Ne jamais pousser une petite pièce de bois contre la lame avec les mains, toujours utiliser un bâton poussoir. Avec les coupes non traversantes, l'utilisation des blocs poussoir, bâtons poussoir et cales-guide est nécessaire.
- Une fois la coupe effectuée, arrêter la scie. Attendre que la lame s'arrête complètement avant de retirer la pièce.

NOTE: Une coupe transversale de rainurage est illustrée à la figure ci-dessus. Pour effectuer une coupe longitudinale de rainurage, enlever le protège-lame, les griffes antirebond, la plaque à gorge et le couteau diviseur. Installer la lame à rainurer et la plaque à gorge à rainurer, puis réaliser la coupe longitudinale. Voir la partie précédente **Coupe longitudinale** dans cette section.

Une fois toutes le coupe rainage terminées :

- Débrancher la scie.
- Enlever la plaque à gorge pour rainures et lame pour rainures.
- Réinstaller l'écarteur dans la position vers le haut.
- Réinstaller la lame de coupe standard, la plaque à gorge, le protège-lame et les griffes anti rebond.

RÉGLAGES

AVERTISSEMENT :

Avant d'effectuer tout réglage, s'assurer que l'outil est débranché et le bouton supérieur du commutateur n'est pas enfoncé. Le non-respect de cet avertissement pourrait entraîner des blessures graves.

Pour éviter des ajustements inutiles, il est bon de vérifier les réglages soigneusement au moyen d'une équerre de charpentier et de pratiquer des coupes d'essais sur des chutes, avant de travailler sur une bonne pièce. Ne procéder à aucun réglage avant d'avoir effectué des vérifications avec une équerre et exécuté des coupes d'essai, pour s'assurer que des réglages sont nécessaires.

REMPACEMENT DE LA LAME

Voir les figures 59 et 60.

Porter des gants et tout autre équipement de protection individuel uniquement pour installer et retirer une lame. **NE PAS** porter de gants en utilisant la scie. **NE PAS** placer une main gantée près de la lame si elle tourne.

Utiliser les lames appropriées. La largeur du trait de lame et l'épaisseur du corps de lame doivent être dans les limites indiquées sur le couteau diviseur.

- Débrancher la scie.
- Retirer la garde de lame et griffes antibond.
- Abaisser la lame de scie et enlever la plaque à gorge.
- Engager le levier de verrouillage de biseau.
- Relever la lame à la hauteur maximum.
- L'utilisation la grande clé, insérer le bout ouvert méplats de axe de lame.
- Engager l'extrémité fermée de la petite clé sur l'écrou de lame. L'avoir les deux clés fermement, tirer l'hors de la petite clé en avant pendant que pousser l'intérieur le grande clé au arrière de la scie.

NOTE : L'axe de lame est enfile de droite.

- Déverrouiller segurar la palanca de afloje pour retirer la lame.

Pour l'installation d'une lame spéciale, suivre les instructions fournies avec cette lame.

Installation d'une lame standard :

NOTE : S'assurer que l'espaceur et la rondelle de la lame intérieure sont bien en place sur l'axe d'entraînement avant d'installer la nouvelle lame.

- Placer la lame sur axe de lame (pour qu'elle fonctionne correctement, ses dents doivent être orientées vers le bas et l'avant de la scie).
- Installer la rondelle de la lame et écrou de lame sur axe de lame. S'assurer que le côté concave de la rondelle est placé contre la lame et que toutes les pièces sont bien serrées contre la bride de l'axe. S'assurer que écrou de lame soit fermement serré. Ne pas trop serrer.

NOTE : L'axe de lame est enfile de droite.

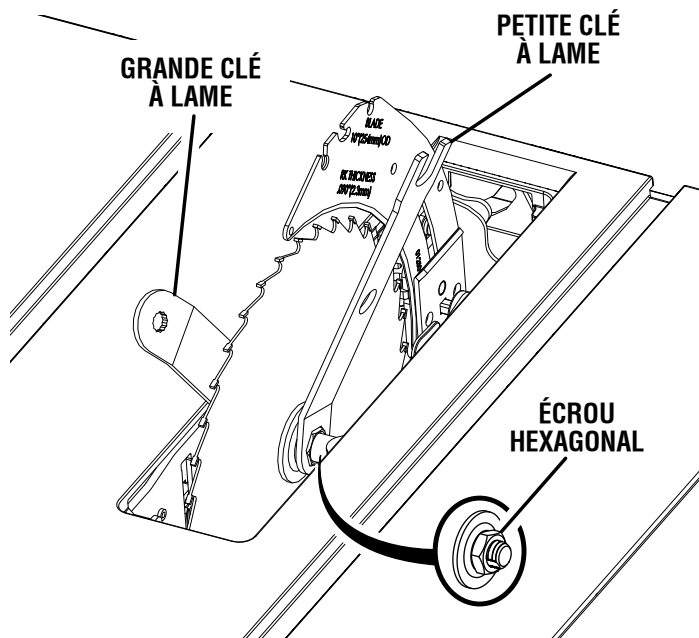


Fig. 59

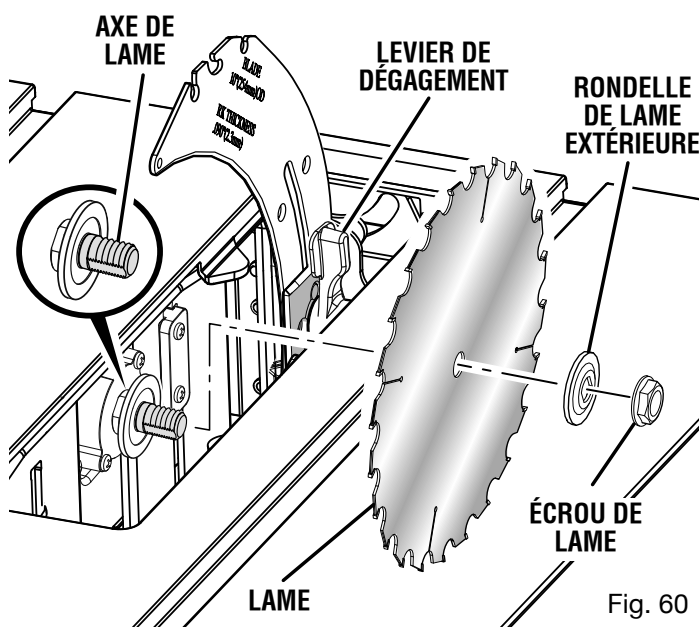


Fig. 60

- Verrouillage le levier de dégagement.
- Faire tourner la lame à la main pour s'assurer qu'elle fonctionne librement.
- Abaisser la lame et remettre la plaque à gorge en place.
- Vérifier que la lame tourne librement, sans toucher quoi que ce soit.

Après l'installation, ajuster l'indicateur de l'échelle de refente pour tenir compte du trait et de l'épaisseur de la lame. Rapportez-vous à **Pour régler l'échelle graduée sur la lame** dans la section *Utilisation* dans ce manuel. Lors de la coupe, l'échelle doit être placée du côté de la lame où la coupe est mesurée et exécutée.

RÉGLAGES

RÉGLAGE DE LA LAME À 0 ET 45°

Voir les figures 61 et 62.

La scie a été réglée en usine et, à moins qu'elle ait été endommagée en cours de transport, aucun réglage ne devrait être nécessaire. Après un usage prolongé, il peut être nécessaire de vérifier les réglages.

- Débrancher la scie.
- Relever la lame.
- Retirer la garde de lame et griffes antibond.

Pour vérifier l'équerrage (biseau à 0°) :

- Relâcher le levier de verrouillage de la coupe en biseau.
- Tourner le volant de réglage de biseau jusqu'à ce que la lame soit inclinée vers la droite autant que possible.
- Fermer le levier de verrouillage de la coupe en biseau.
- Placer l'équerre contre la lame. S'assurer que l'équerre ne touche pas à la pointe d'une de dents de la scie.

Si la lame n'est pas exactement à 90° (biseau à 0°) :

- Relâcher le levier de verrouillage de la coupe en biseau.
- Tourner le volant de réglage de hauteur / biseau, jusqu'à ce que l'indicateur pointe sur 5°-10°.
- Tourner 0° vis de réglage de butée 1/4 tourne dans le droit ou gauche.
- Tourner le volant de réglage de biseau jusqu'à ce que la lame soit inclinée vers la droite autant que possible.
- Fermer le levier de verrouillage de la coupe en biseau et vérifier l'angle de lame.
- Répéter les étapes ci-dessus au besoin pour réajuster et revérifier l'angle de la lame.

Dès que la lame est perpendiculaire à la table (biseau à 0°) :

- Vérifier l'indicateur de biseau.
- Si l'indicateur ne pointe pas vers la marque 0° sur l'échelle du biseau, desserrer la vis d'ajustement de l'indicateur et régler l'indicateur.
- Resserrer les vis.

Pour vérifier l'équerrage (biseau à 45°) :

- Relâcher le levier de verrouillage de la coupe en biseau.
- Tourner le volant de réglage de biseau jusqu'à ce que la lame soit inclinée vers la gauche autant que possible.
- Fermer le levier de verrouillage de la coupe en biseau.
- Placer l'équerre contre la lame. S'assurer que l'équerre ne touche pas à la pointe d'une de dents de la scie.

Si la lame n'est pas exactement à 45° :

- Relâcher le levier de verrouillage de la coupe en biseau.
- Tourner le volant de réglage de hauteur / biseau, jusqu'à ce que l'indicateur pointe sur 35°-40°
- Tourner 45° vis de réglage de butée 1/4 tourne dans le droit ou gauche.

LAME INCLINÉE À BISEAU À 0°

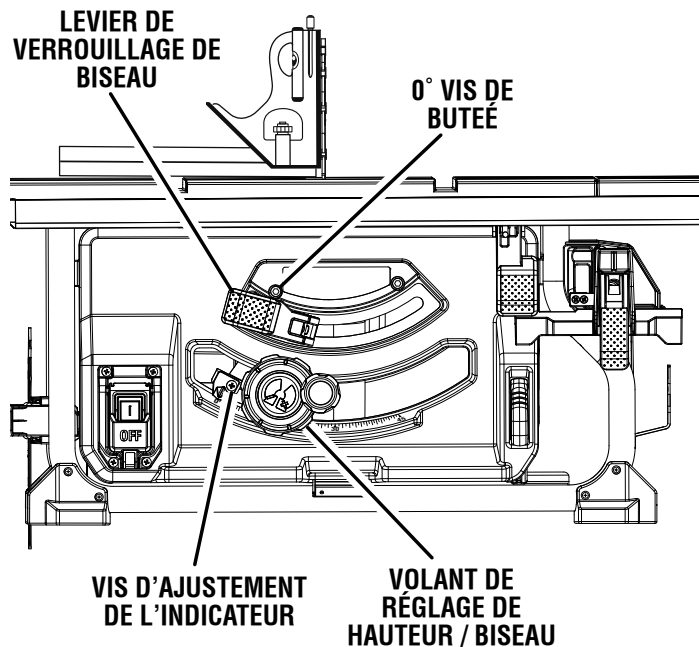


Fig. 61

LAME INCLINÉE À BISEAU À 45°

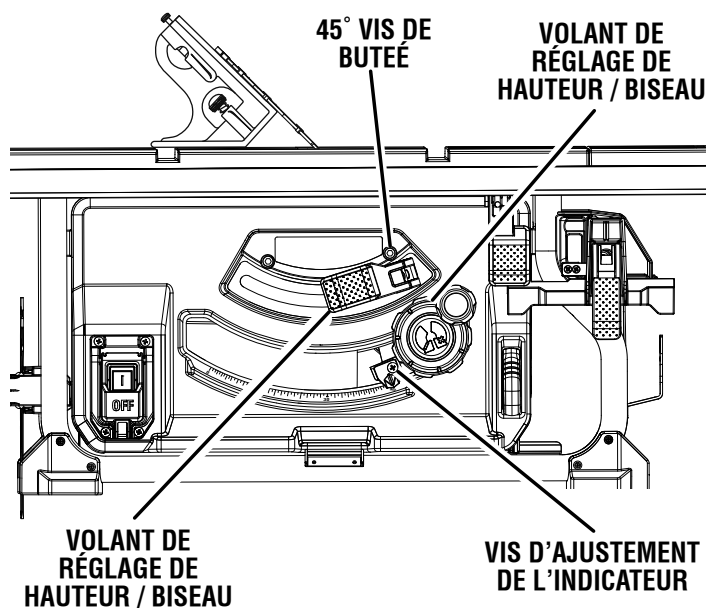


Fig. 62

- Tourner le volant de réglage de biseau jusqu'à ce que la lame soit inclinée vers la gauche autant que possible.
- Fermer le levier de verrouillage de la coupe en biseau et vérifier l'angle de lame.
- Répéter les étapes ci-dessus au besoin pour réajuster et revérifier l'angle de la lame.

RÉGLAGES

Dès que la lame est à 45° de la table :

- Vérifier l'indicateur de biseau.
- Si l'indicateur n'indique pas la marque 45° sur le rapporteur d'angle de biseau, desserrer les vis d'ajustement de l'indicateur et ajustez l'indicateur.
- Resserrer les vis.

Quand tous les ajustements sont complets :

- Réinstaller la garde de lame et griffes antirebond.

RÉGLAGE DU GUIDE D'ONGLET

Voir la figure 63.

Le guide d'onglet peut être réglé à 0° et plus ou moins 45° au moyen de son axe de blocage et de ses vis d'arrêt.

NOTE : Le guide d'onglet permet d'effectuer des coupes en biais de grande précision. Il est recommandé d'effectuer des coupes d'essai lorsque les tolérances sont réduites.

- Desserrer le bouton et tirer sur goupille de butée pour faire tourner le guide d'onglet au-delà des vis d'arrêt.
- Desserrer l'écrou de la vis d'arrêt à 0° se trouvant au niveau de l'axe de blocage avec une clé de 8 mm.
- Placer une équerre combinée la tige et la base du guide d'onglet.
- Si la tige n'est pas d'équerre, desserrer le bouton, ajuster la tige et resserrer le bouton.
- Régler la vis d'arrêt à 0° de manière à ce qu'elle contacte l'axe de blocage.
- Régler les vis d'arrêt à plus et moins 45° au moyen d'une équerre à 45°, selon les instructions ci-dessus.

VÉRIFICATION DE L'ALIGNEMENT DU GUIDE LONGITUDINAL SUR LA LAME

Voir les figures 64 à 66.

Le guide longitudinal doit être installé en parallèle avec la lame et les rainures du guide d'onglet.

AVERTISSEMENT :

Un guide longitudinal incorrectement aligné peut causer des rebonds et des blocages. Pour réduire les risques de blessures, maintenir l'alignement correct du guide longitudinal.

- Débrancher la scie.
- Retirer la garde de lame, le couteau diviseur et griffes antirebond. Relever la lame au maximum en tournant le volant de réglage de hauteur / biseau vers la droite.
- Vérifier que la lame est parallèle avec la rainure du guide d'onglet, conformément à ce qui est décrit à la section **Réglage de la lame parallèlement à la rainure du guide d'onglet (suppression du talon)** dans la section *Utilisation*.
- Déplacer le guide inférieur sur le guide longitudinal afin qu'il soit orienté loin de la lame, puis installer le guide longitudinal.
- Amener le guide longitudinal près de la lame de la scie (à environ 76,20 mm [3 po] de la lame), puis verrouiller le guide à l'aide du levier de verrouillage.

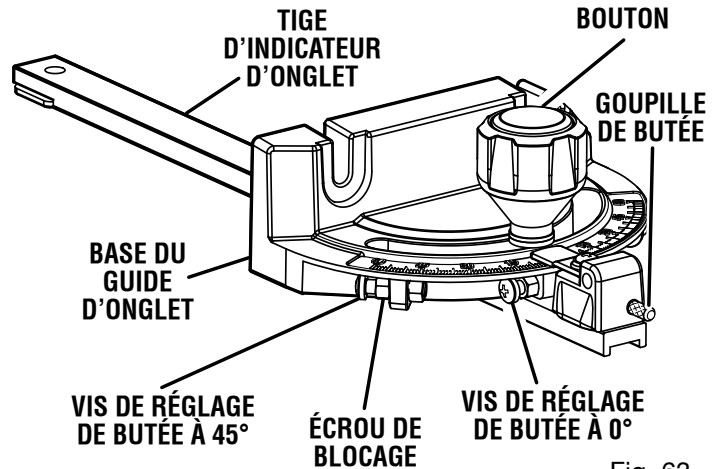


Fig. 63

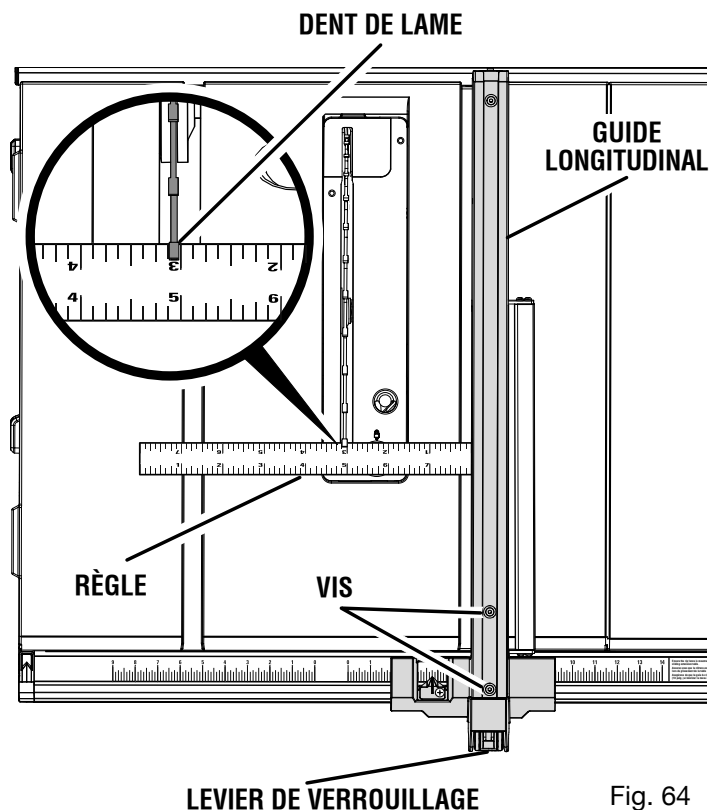


Fig. 64

- Faites une marque derrière une dent sur le devant de la lame. À l'aide d'une règle, mesurer la distance entre la face intérieure de la dent de lame et la face intérieure du guide longitudinal.

NOTE : Pour une précision accrue, positionner la dent marquée de la lame sur le dessus de la règle.

- Tournez la lame pour que la dent marquée se retrouve en arrière.
- Déplacer la règle vers l'arrière et mesurer de nouveau la distance entre la face intérieure de la dent de lame et la face intérieure du guide longitudinal. Si les distances sont identiques, la lame et le guide longitudinal sont parallèles.

Si les distances mesurées sont différentes :

- Déserrer les deux vis situées sur le guide de coupe.
- Régler le guide longitudinal.

RÉGLAGES

- Serrer les vis alternance. Vérifier de nouveau l'alignement.
- Répéter la procédure selon le besoin jusqu'à ce que le guide longitudinal soit correctement aligné.
- Replacer la garde de lame, le couteau diviseur et griffes antirebond.

Pour vérifier l'alignement du guide inférieur :

- Débrancher la scie.
- Vérifier que la lame est parallèle avec la rainure du guide d'onglet, conformément à ce qui est décrit à la section **Réglage de la lame parallèlement à la rainure du guide d'onglet (suppression du talon)** dans la section *Utilisation*.
- Vérifier que le guide longitudinal est parallèle à la lame de scie comme il est décrit plus tôt dans cette section.
- Retrait le guide longitudinal.
- Retourner le guide longitudinal sur son côté.
- Placer le guide sur une surface plate avec l'avant du guide dépassant le bord.
- Placer un équerre combinée contre le guide longitudinal et le guide inférieur comme il est illustré.
- Mesurer la distance depuis le côté du guide longitudinal jusqu'au bord extérieur du guide inférieur.
- Bouger l'équerre combinée et mesurer la distance à l'extrémité opposée du guide inférieur.

NOTE : Si les distances sont identiques, basculer le guide inférieur vers l'autre côté du guide longitudinal, retourner le guide longitudinal, puis vérifier de nouveau l'alignement.

Si les distances mesurées sont différentes :

- Desserrer, mais **ne pas enlever** les vis Phillips situées à l'avant et l'arrière du guide inférieur.

NOTE : Après avoir desserré les vis, la position du guide inférieur peut être ajustée à la main.

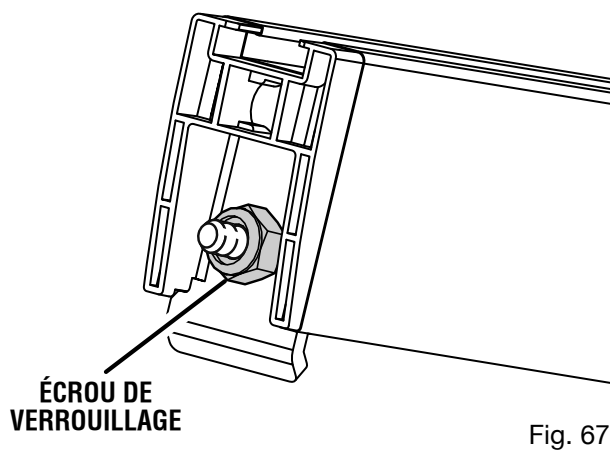
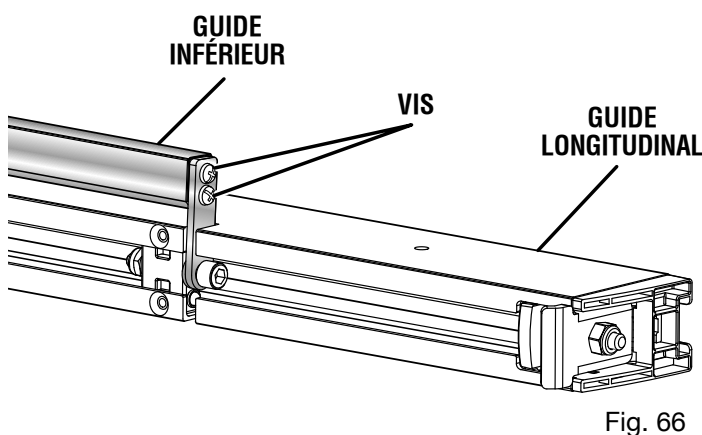
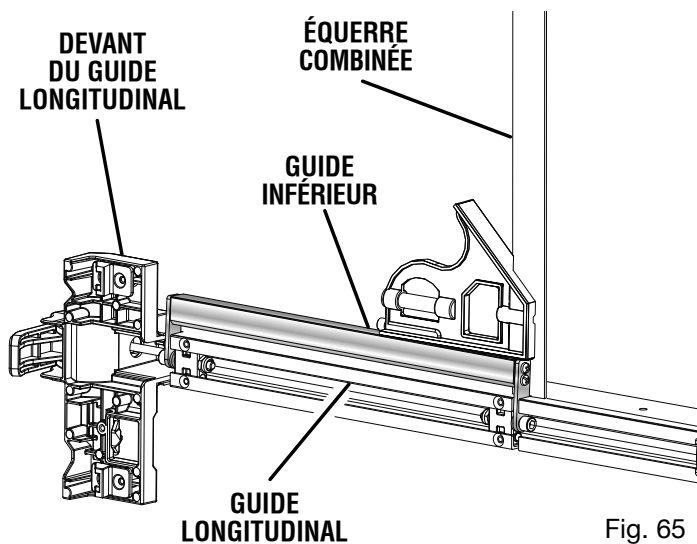
- Serrer les vis Phillips.
- Vérifier de nouveau l'alignement.
- Répéter les étapes au besoin, jusqu'à ce que le guide inférieur soit correctement aligné.
- Replacer la garde de lame, le couteau diviseur et griffes antirebond.
- Effectuer deux ou trois coupes d'essai sur des chutes de bois. Si les coupes ne sont pas précises, reprendre les étapes précédentes.

VÉRIFICATION DE L'ÉTANCHÉITÉ DU LEVIER DE VERROUILLAGE DU GUIDE LONGITUDINAL

Voir la figure 67.

Le levier de verrouillage du guide longitudinal doit maintenir ce dernier fermement appuyé contre les rails avant et arrière. Le levier doit pouvoir être abaissé et verrouillé sans effort. Pour assurer un réglage correct du verrouillage de guide :

- Verrouiller le guide longitudinal à sa place.
- Essayer déplaçant le guide longitudinal du côté-à-le côté. Si le guide bouge, serrer l'écrou de blocage à un quart de tour à la fois et revérifier tout mouvement après chaque réglage.



- Une fois le guide longitudinal en position verrouillée, vérifier de nouveau son parallélisme avec la lame et le régler selon le besoin.

NOTE : S'il est difficile ou trop facile de verrouiller et déverrouiller le levier de blocage, ajuster l'écrou de blocage jusqu'à ce que le levier est bien serré et répéter les étapes ci-dessus.

RÉGLAGES

POUR AJUSTER LE LEVIER DE VERROUILLAGE DE LA COUPE EN BISEAU

Voir la figure 68.

- Relâcher le levier de verrouillage de la coupe en biseau et la lame en biseau à 45°.
- Appuyer sur le levier de verrouillage de la coupe en biseau pour bloquer la lame.
- An appliquant une force modérée, essayer de déplacer le volant de réglage de hauteur / biseau au niveau 0°.
- Si le volant de réglage de hauteur / biseau ne bouge pas, aucun ajustement n'est nécessaire. Si le volant bouge, ajustez l'écrou de blocage de biseau en effectuant ¼ de rotation en direction des aiguilles d'une montre.
- Répéter ces étapes si nécessaire.
- Relâcher le levier de verrouillage de biseau et tournez le volant de réglage de hauteur / biseau de retour sur le 0°.

VÉRIFICATION DE RALLONGE DE TABLE

Voir la figure 69.

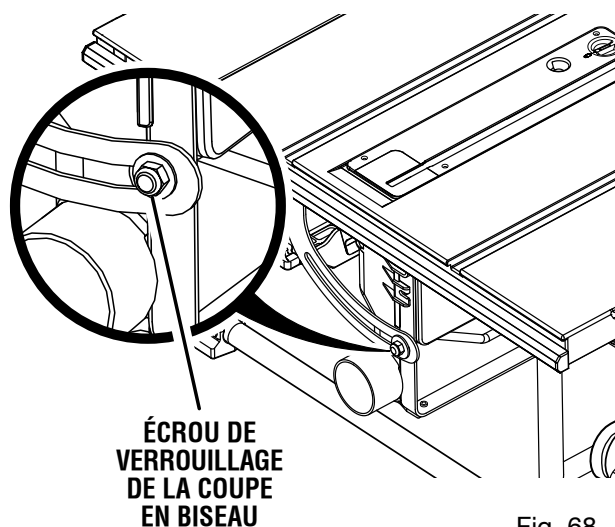
Verrouiller la rallonge mobile de la table. La rallonge mobile ne devrait pas bouger lorsqu'elle est verrouillée. Si la rallonge se déplace :

- Relever le levier de verrouillage de la rallonge.
- Trouver le raccord hexagonal se trouvant sous la table, à l'arrière de la scie.
- Desserrer l'écrou de verrouillage hexagonal.
- Tourner le manchon hexagonal dans le sens contraire à celui des aiguilles d'une montre.
- Verrouiller le blocage de rallonge de la table. Appuyer et tirer sur la rallonge mobile.
- Réajuster le manchon hexagonal si nécessaire.
- Serrer l'écrou de verrouillage hexagonal sur le manchon.

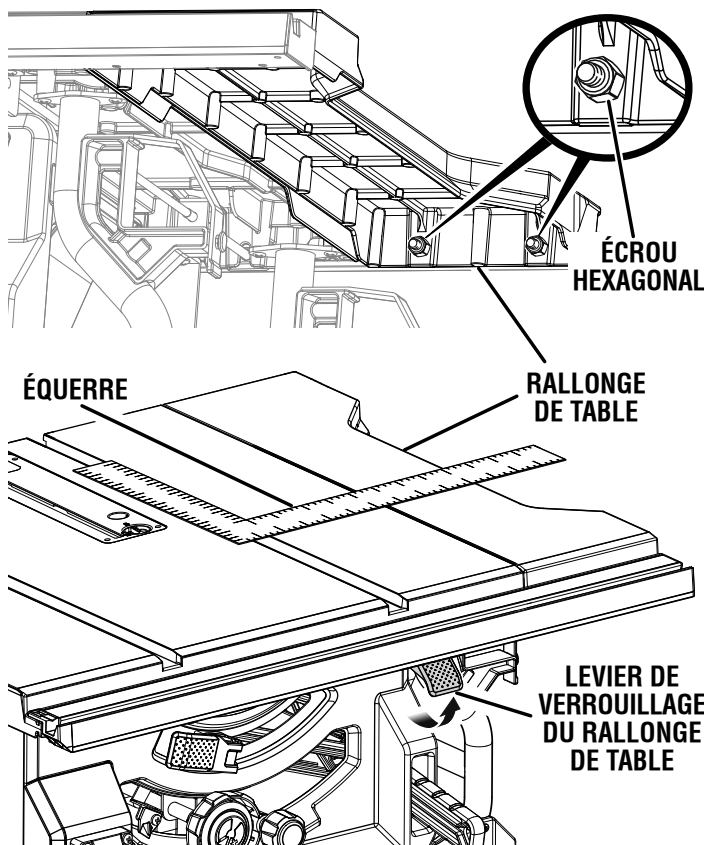
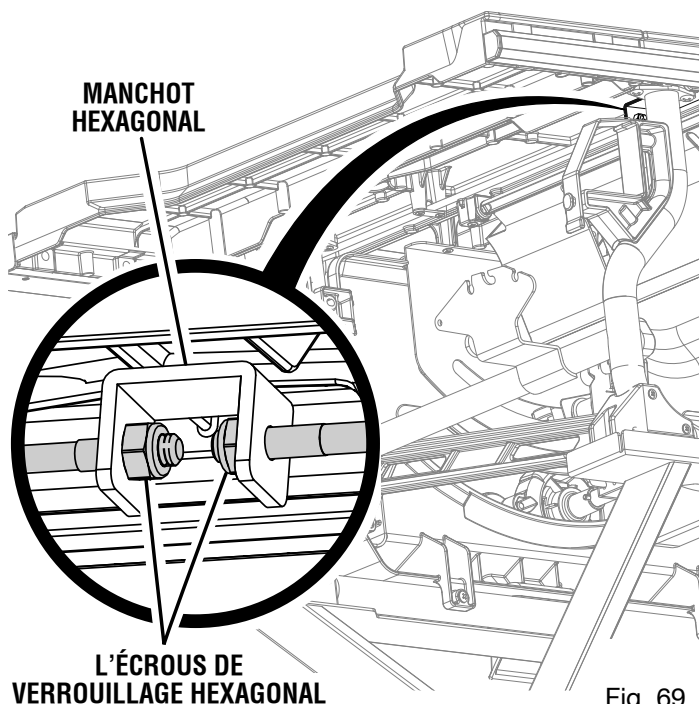
POUR AJUSTER LA HAUTEUR DE LA RALLONGE DE TABLE

Voir la figure 70.

- Verrouiller le levier de rallonge de table.
- Desserrer les quatre écrous en dessous de la rallonge mobile.



- Utiliser une équerre pour s'assurer que le haut de la rallonge est à la même hauteur que la table principale.
- Serrer les quatre écrous hexagonaux. Vérifiez de nouveau et réajuster si nécessaire.



ENTRETIEN

AVERTISSEMENT :

Utiliser exclusivement des pièces d'origine pour les réparations. L'usage de toute autre pièce pourrait créer une situation dangereuse ou endommager l'outil.

AVERTISSEMENT :

Toujours porter une protection oculaire certifiée conforme à la norme ANSI Z87.1 lors de l'utilisation de produit. Si une opération dégage de la poussière, porter également un masque anti-poussière.

AVERTISSEMENT :

Avant d'effectuer tout entretien, assurez-vous que la outil est débranchée et le bouton supérieur du commutateur n'est pas enfoncé. Le non-respect de cette règle peut occasionner de graves blessures.

ENTRETIEN GÉNÉRAL

Éviter d'utiliser des solvants pour le nettoyage des pièces en plastique. La plupart des matières plastiques peuvent être endommagées par divers types de solvants du commerce. Utiliser un chiffon propre pour éliminer la saleté, la poussière, l'huile, la graisse, etc.

AVERTISSEMENT :

Ne jamais laisser de liquides tels que le fluide de freins, l'essence, les produits à base de pétrole, les huiles pénétrantes, etc., entrer en contact avec les pièces en plastique. Les produits chimiques peuvent endommager, affaiblir ou détruire le plastique, ce qui peut entraîner des blessures graves.

- Vérifier régulièrement le serrage et l'état de tous les colliers, écrous boulons et vis. S'assurer que la plaque à gorge est en bon état et bien en place.
- Vérifier l'assemblage du guide de la lame pour assurer une bonne installation, qu'il est bien ajusté et qu'il possède les dégagements nécessaires, permettant un mouvement en toute liberté. Certains types de bois peuvent occasionner une accumulation de poussière, de dépôts ou de résine sur les composants alors un entretien périodique et nettoyage est recommandé. Tout nettoyant utilisé doit convenir pour usage sur les pièces en plastique.
- **Nettoyer les pièces en plastique uniquement avec un chiffon doux humide. Ne pas utiliser de produits en aérosol ni de solvants pétroliers.**
- Éliminer la sciure se trouvant au-dessous de la table et entre les dents de la lame pour protéger cette dernière. Nettoyer les dents de scie avec un solvant recommandé pour résine et gommés.

- Appliquer périodiquement de la cire en pâte sur la table, le guide et les rails pour assurer un fonctionnement en douceur. Pour éviter que la pièce glisse pendant la coupe, **ne pas** cirer la face de travail du guide d'onglet.

LUBRIFICATION

Les paliers du moteur de cette scie ont été correctement garnis en usine.

- Nettoyer le filetage des boulons et écrous avec un solvant recommandé pour résine et gommés.
- Lubrifier le filetage des boulons, écrous et points d'appui (y compris ceux de la garde de lame et du guide d'onglets).

NETTOYER LES PLAQUES DU LEVIER DE VERROUILLAGE DU COUTEAU FENDEUR

Voir la figure 71.

Le loquet de verrouillage du couteau fendeur peut devenir difficile à bien verrouiller après une utilisation prolongée à cause de la sciure ou des débris se logeant dans les plaques.

- Débrancher la scie.
- Déverrouiller le levier pour retirer le couteau fendeur.
- Nettoyer l'endroit avec un chiffon propre et sec, ou utiliser de l'air comprimé pour souffler les débris.
- Nettoyer le couteau fendeur.
- Réinstaller le couteau fendeur et tourner le levier pour le verrouiller en place.

NOTE : Si le levier de verrouillage est difficile à bouger ou ne se ferme pas entièrement après avoir nettoyé les plaques, contacter le service à la clientèle.

AVERTISSEMENT :

Ne pas utiliser la scie si le levier de verrouillage ne se ferme pas complètement. Cela pourrait entraîner des blessures graves.

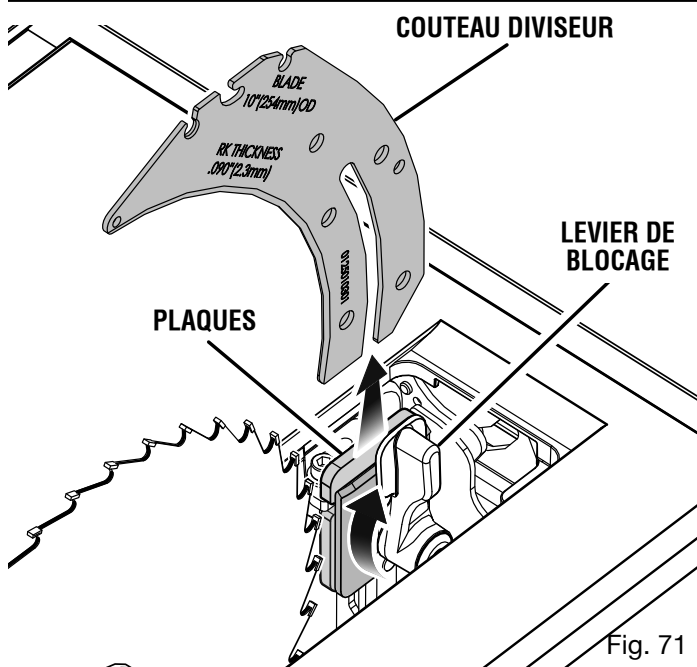


Fig. 71

ENTRETIEN

NETTOYER LE CHUTE À COPEAUX

Voir la figure 72.

Cette scie comprend une chute à copeaux utile pour débarrasser la sciure. Un aspirateur d'atelier ordinaire peut être fixé à la chute, située sous le dessous de la scie.

Pendant des périodes d'utilisation prolongée, la chute à copeaux doit être vidée et nettoyée pour éviter l'accumulation de sciure ainsi que pour s'assurer qu'aucune obstruction ou autre petit copeau ne soit tombé dans l'ouverture de la plaque à gorge et ne nuise ainsi au rendement optimal.

Pour nettoyer la chute à copeaux :

- Débrancher la scie.
- Desserrer les vis à oreilles.
- Soulever légèrement la chute à copeaux et la déplacer loin de la lame.
- Nettoyer les copeaux de bois et la sciure se trouvant dans la chute à copeaux.

Pour réinstaller le couvercle du lame :

- Inclinaison de couvercle et glisser le ergot tab sous l'fente (A).
- Accrocher le côté droit de la couverture sous le vis (B).
- L'assujettir avec vis à oreilles (C).

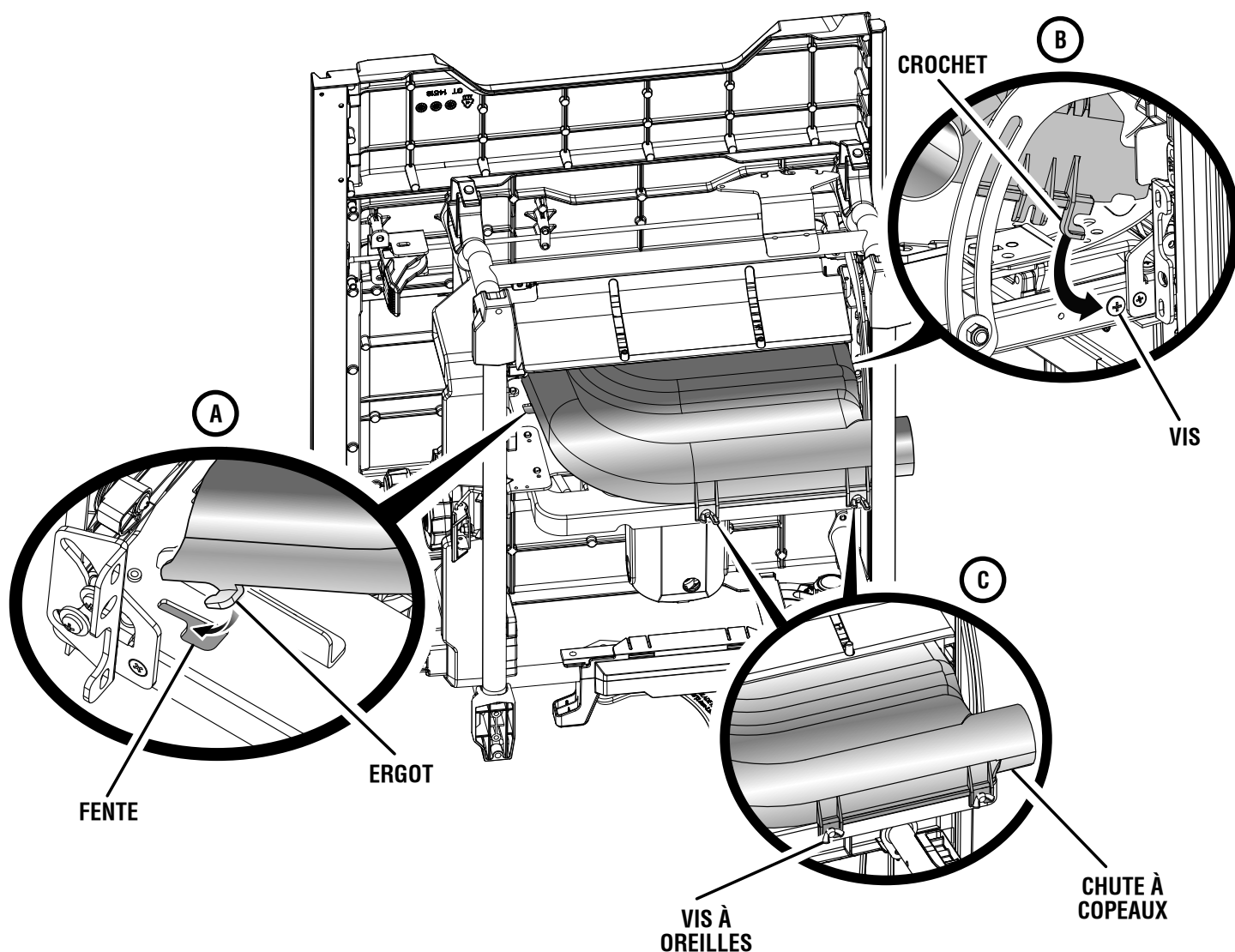


Fig. 72

ENTRETIEN

REPLACEMENT DU BALAIS

Voir la figure 73.

- Débrancher la scie.
- Abaisser complètement la lame et biseauter à 45°. Verrouiller la lame.
- Tourner la scie à l'envers.
- Enlever les capuchons du balais avec un tournevis.
NOTE : Le ensemble de balais est muni d'un ressort et va rebondir quand le capuchon est enlevé.
- Enlever le balais et inspecter pour les signes d'usure.
- Remplacez les deux balais quand il y'en a un à qu'il ne reste plus que 6,4 mm (1/4 po) de charbon. **Ne pas** remplacer un côté sans remplacer l'autre.
- Assembler de nouveau en utilisant de nouveaux balais en suivant les étapes décrits en haut en ordre inverse. S'assurer que la forme du balais s'ajuste à la forme du moteur et que le balais bouge librement dans la tube à balais.
- Serrer tous les capuchons de balais. **Ne pas** serrer excessivement.

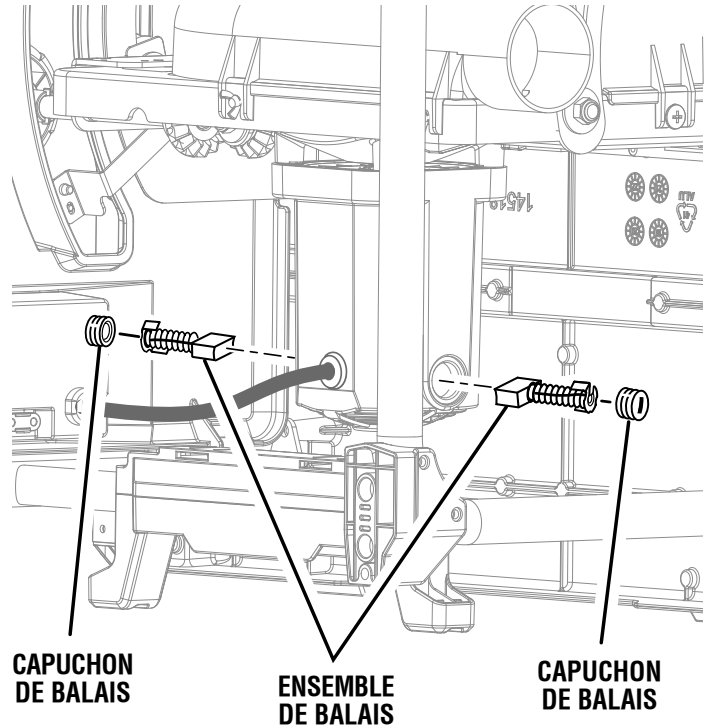


Fig. 73

ACCESSOIRES

Rechercher ces accessoires où vous avez acheté ce produit ou en appelant au 1-866-539-1710 :

- Plaque à gorge pour lame à rainer..... 089240028701
- Support de travail portable Flip Top AC9934

AVERTISSEMENT :

Les outils et accessoires disponibles actuellement pour cet outil sont listés ci-dessus. Ne pas utiliser d'outils ou accessoires non recommandés pour cet outil. L'utilisation de pièces et accessoires non recommandés peut entraîner des blessures graves.

DÉPANNAGE

Problème	Cause	Solution
Vibrations excessives.	Lame déséquilibrée. Lame endommagée. La scie n'est pas solidement assujettie. Surface de travail irrégulière. Lame voilée.	Remplacer la lame. Remplacer la lame. Serrer tous les écrous, vis et boulons. Repositionner sur une surface plane. Remplacer la lame.
Le guide longitudinal ne se déplace pas en douceur.	Guide longitudinal pas correctement installé. Rails encrassés ou collants. Vis de serrage déréglée.	Réinstaller le guide longitudinal. Nettoyer et cirer les rails. Régler la vis de serrage.

DÉPANNAGE

Problème	Cause	Solution
Le guide longitudinal ne se verrouille pas fermement.	Vis de serrage déréglée.	Régler la vis de serrage.
La lame se bloque ou brûle le bois.	Lame émoussée. Lame désalignée. Pièce à couper avancée trop rapidement. Guide longitudinal mal aligné. Couteau diviseur mal aligné. Pièce est voilée.	Replace or sharpen blade. Voir Réglage de la lame parallèlement à la rainure du guide d'onglet (suppression du talon) à la section Utilisation. Ralentir l'avance. Aligner le guide longitudinal. Voir Vérification et alignement du couteau diviseur et la lame , à la section Assemblage. Changer de pièce à couper. Toujours couper avec le côté convexe face à la table.
Le chant de la pièce n'est pas contre le guide longitudinal lors de la coupe en long.	Guide longitudinal mal aligné. Lame incorrectement alignée ou installée.	Vérifier et régler le guide longitudinal. Affûter ou ajuster la lame.
La scie n'exécute pas les coupes à 0 ou 45°.	Butées de biseau pas correctement réglées. Guide d'onglet pas correctement aligné (coupe d'onglets).	Voir Réglage des butées d'indicateur de biseau à 0 et 45° (Équerrage de la lame) à la section Réglages. Voir Réglage du guide d'onglets à la section Réglages.
Les volants de réglage de hauteur et de biseau sont difficiles à tourner.	Les engrenages ou la vis sans fin de l'intérieur de l'armoire sont bloqués par de la sciure.	Nettoyer les engrenages et la vis sans fin.
La scie ne démarre pas.	Cordon d'alimentation pas branché. Fusible de circuit grillé. Disjoncteur débranché. Cordon, commutateur ou moteur endommagé.	Brancher le cordon d'alimentation. Remplacer le fusible. Réarmer le disjoncteur. Faire remplacer dans un centre de réparations qualifié.
La lame ne coupe pas correctement.	Lame émoussée ou encrassée. Lame de type incorrect pour la coupe. Lame montée à l'envers.	Nettoyer, affûter ou remplacer la lame. Utiliser une lame de type approprié. Réinstaller la lame.
La lame ne s'abaisse pas lorsque le volant de réglage de hauteur / biseau est tourné.	La chute à copeaux est sale.	Voir les instructions de nettoyage dans la section Entretien.
Le moteur force lors d'une coupe longitudinale.	Lame incorrecte pour la coupe longitudinale.	Remplacer la lame pour coupe longitudinale.
Les lames tournent librement pendant plus que quelques secondes après avoir éteint la scie.	Il est possible que le frein électrique ne fonctionne pas correctement.	Contactez le service à la clientèle.

GARANTIE

GARANTIE D'ENTRETIEN DE 3 ANS SUR LES OUTILS ÉLECTRIQUES À MAIN ET D'ÉTABLI RIDGID®

Une preuve d'achat doit être présentée pour toute demande de réparation sous garantie.

Cette garantie se limite aux outils électriques à main et d'établi RIDGID® achetés à partir du 1/2/04. Ce produit est fabriqué par One World Technologies, Inc., sous licence de marque de RIDGID, Inc. Toutes les correspondances relatives à la garantie doivent être adressées à One World Technologies, Inc. à l'intention de: Service technique des outils motorisés à main et d'établi RIDGID, au 1-866-539-1710 (appel gratuit).

POLITIQUE DE SATISFACTION ASSURÉE DE 90 JOURS

En cas de non satisfaction pour quelque raison que ce soit au cours des 90 jours suivant la date d'achat de cet outil à main ou d'établi RIDGID®, il pourra être retourné au point de vente pour échange ou remboursement intégral. Pour obtenir un outil en échange, l'équipement original devra être retourné, dans son emballage d'origine, accompagné d'une preuve d'achat. L'outil fourni en échange sera couvert par la garantie limitée pour le restant de la période de validité de 3 ANS.

CE QUI EST COUVERT PAR LA GARANTIE LIMITÉE DE 3 ANS

Cette garantie sur les outils électriques à main et d'établi RIDGID® couvre tous les vices de matériaux et de fabrication, ainsi que les articles de consommation courants, tels que balais, mandrins, moteurs, commutateurs, cordons, engrenages et même les batteries d'outils sans fil de cet outil RIDGID®, pour une période de trois ans, à compter de la date d'achat. Les garanties d'autres produits RIDGID® peuvent être différentes.

RÉPARATIONS SOUS GARANTIE

Pour toute réparation sous garantie, cet outil RIDGID® devra être retourné, en port payé, à un centre de réparations RIDGID® pour outils motorisés à main et d'établi agréé. L'adresse du centre de réparations agréé le plus proche peut être obtenue en appelant le 1-866-539-1710 (appel gratuit), ou en accédant au site Internet RIDGID®, powertools.ridgid.com. Le reçu de vente daté doit être présenté lors de toute demande de réparation sous garantie. Le centre de réparations agréé corrigera tout défaut de fabrication et réparera ou remplacera (à notre choix) gratuitement, toute pièce défectueuse.

CE QUI N'EST PAS COUVERT

La garantie ne couvre que l'acheteur au détail original et n'est pas transférable. Cette ne couvre pas les problèmes de fonctionnement, défaillances ou autres défauts résultant d'un usage incorrect ou abusif, de la négligence, de la modification, de l'altération ou de réparations effectuées par quiconque autre qu'un centre de réparations d'outils motorisés à main et d'établi RIDGID® agréé. Les articles de consommation fournis avec cet outil, tels que, mais sans y être limité, les lames, embouts et abrasifs, ne sont pas couverts.

ONE WORLD TECHNOLOGIES, INC. NE FAIT AUCUNE AUTRE GARANTIE, REPRÉSENTATION OU PROMESSE CONCERNANT LA QUALITÉ ET LES PERFORMANCES DE CET OUTIL ÉLECTRIQUE, AUTRES QUE CELLES EXPRESSÉMENT INDIQUÉES DANS LE PRÉSENT DOCUMENT.

AUTRES LIMITATIONS

Sous réserve que les lois en vigueur le permettent, toutes les garanties implicites sont exclues, y compris les GARANTIES DE VALEUR MARCHANDE ou D'ADÉQUATION À UN USAGE PARTICULIER. Toutes les garanties implicites, y compris les garanties de valeur marchande ou d'adéquation à un usage particulier ne pouvant pas être exclues en raison des lois en vigueur, sont limitées à une durée de trois ans, à compter de la date d'achat. One World Technologies, Inc. et RIDGID, Inc. déclinent toute responsabilités pour les dommages directs ou indirects. Certains états et provinces ne permettant pas de limitation sur la durée des garanties implicites, et/ou l'exclusion ou la limitation des dommages directs ou indirects, les restrictions ci-dessus peuvent ne pas être applicables. Cette garantie donne au consommateur des droits spécifiques, et celui-ci peut bénéficier d'autres droits, qui varient selon les états ou provinces.

One World Technologies, Inc.

P.O. Box 1427

Anderson, SC 29622

REGLAS DE SEGURIDAD GENERALES

ADVERTENCIA:

Lea todas las advertencias, instrucciones, ilustraciones y especificaciones proporcionadas con esta herramienta eléctrica. No seguir las instrucciones indicadas a continuación puede provocar descargas eléctricas, incendios o lesiones graves.

Guarde todas las advertencias e instrucciones para consultarlas en el futuro. El término “herramienta eléctrica” en las advertencias se refiere a las herramientas eléctricas que funcionan con corriente (con cordón) o las que funcionan con batería (inalámbricas).

ÁREA DE TRABAJO

- **Mantenga limpia y bien iluminada el área de trabajo.** Un área de trabajo mal despejada o mal iluminada propicia accidentes.
- **No utilice herramientas motorizadas en atmósferas explosivas, como las existentes alrededor de líquidos, gases y polvos inflamables.** Las herramientas eléctricas generan chispas que pueden encender el polvo y los vapores inflamables.
- **Mantenga alejados a los niños y circunstantes al maniobrar una herramienta eléctrica.** Toda distracción puede causar la pérdida del control de la herramienta.

SEGURIDAD ELÉCTRICA

- **Las clavijas de las herramientas eléctricas deben corresponder a las tomas de corriente donde se conectan. Nunca modifique la clavija de ninguna forma. No utilice ninguna clavija adaptadora con herramientas eléctricas dotadas de contacto a tierra.** Conectando las clavijas originales en las tomas de corriente donde corresponden se disminuye el riesgo de una descarga eléctrica.
- **Evite el contacto del cuerpo con las superficies de objetos conectados a tierra, como las tuberías, radiadores, estufas y refrigeradores.** Existe un mayor riesgo de descargas eléctricas si el cuerpo está haciendo tierra.
- **No exponga las herramientas eléctricas a la lluvia ni a condiciones de humedad.** La introducción de agua en una herramienta eléctrica aumenta el riesgo de descargas eléctricas.
- **No maltrate el cordón eléctrico. Nunca utilice el cordón para trasladar, desconectar o tirar de la herramienta eléctrica. Mantenga el cordón lejos del calor, aceite, bordes afilados y piezas móviles.** Los cordones eléctricos dañados o enredados aumentan el riesgo de descargas eléctricas.
- **Al utilizar una herramienta eléctrica a la intemperie, use un cordón de extensión apropiado para el exterior.** Usando un cordón adecuado para el exterior se disminuye el riesgo de descargas eléctricas.
- **Si debe operar una herramienta en lugares húmedos, use un suministro protegido por un interruptor de circuito con pérdida a tierra (GFCI).** El uso de un GFCI reduce el riesgo de descargas eléctricas.

SEGURIDAD PERSONAL

- **Permanezca alerta, preste atención a lo que esté haciendo y aplique el sentido común al utilizar herramientas eléctricas. No utilice la herramienta eléctrica si está cansado o se encuentra bajo los efectos de alguna droga, alcohol o medicamento.** Un momento de inatención al utilizar una herramienta eléctrica puede causar lesiones corporales serias.

- **Utilice protección el equipo otros. Siempre póngase protección ocular.** El uso de equipo protector como mascarilla para el polvo, calzado de seguridad, casco y protección para los oídos en las circunstancias donde corresponda disminuye el riesgo de lesiones.
- **Evite que la herramienta se active accidentalmente. Asegúrese de que el interruptor esté en la posición de apagado antes de conectar la herramienta a un suministro de corriente o de colocar un paquete de baterías.** Transportar herramientas eléctricas con el dedo en el interruptor o enchufar herramientas eléctricas que tienen el interruptor encendido puede ocasionar accidentes.
- **Retire toda llave o herramienta de ajuste antes de encender la herramienta eléctrica.** Toda llave o herramienta de ajuste dejada en una pieza giratoria de la herramienta eléctrica puede causar lesiones.
- **No estire el cuerpo para alcanzar mayor distancia. Mantenga una postura firme y buen equilibrio en todo momento.** De esta manera se logra un mejor control de la herramienta eléctrica en situaciones inesperadas.
- **Vístase adecuadamente. No vista ropas holgadas ni joyas. Mantenga el cabello, la ropa y los guantes alejados de las piezas móviles.** Las ropas holgadas y las joyas, así como el cabello largo, pueden engancharse en las piezas móviles.
- **Si se suministran dispositivos para conectar mangueras de extracción y captación de polvo, asegúrese de que éstas estén bien conectadas y se usen correctamente.** El uso de la captación de polvo puede reducir los peligros relacionados con éste.
- **No permita que la familiaridad obtenida por el uso frecuente de las herramientas lo vuelva complaciente e ignore los principios de seguridad de las herramientas.** Una acción descuidada puede causar lesiones graves en una fracción de segundo.

EMPLEO Y CUIDADO DE LA HERRAMIENTA ELÉCTRICA

- **No fuerce la herramienta eléctrica. Utilice la herramienta eléctrica adecuada para cada trabajo.** La herramienta eléctrica adecuada efectúa mejor y de manera más segura el trabajo, si además se maneja a la velocidad para la que está diseñada.
- **No utilice la herramienta si el interruptor no enciende o no apaga.** Cualquier herramienta eléctrica que no pueda controlarse con el interruptor es peligrosa y debe repararse.
- **Desconecte el enchufe de la fuente de alimentación o retire el paquete de baterías, si es desmontable, de la herramienta eléctrica antes de realizar ajustes, cambiar accesorios o almacenar herramientas eléctricas.** Tales medidas preventivas de seguridad reducen el riesgo de poner en marcha accidentalmente la herramienta.
- **Guarde las herramientas eléctricas desocupadas fuera del alcance de los niños y no permita que las utilicen personas no familiarizadas con las mismas o con estas instrucciones.** Las herramientas eléctricas son peligrosas en manos de personas no capacitadas en el uso de las mismas.
- **Mantenimiento de las herramientas eléctricas y accesorios. Revise para ver si hay desalineación o atoramiento de piezas móviles, ruptura de piezas o toda otra condición que pueda afectar el funcionamiento de la herramienta eléctrica. Si está dañada la herramienta eléctrica, permita**

REGLAS DE SEGURIDAD GENERALES

que la reparen antes de usarla. Numerosos accidentes son causados por herramientas eléctricas mal cuidadas.

- **Mantenga las herramientas de corte afiladas y limpias.** Las herramientas de corte bien cuidadas y con bordes bien afilados, tienen menos probabilidad de atascarse en la pieza de trabajo y son más fáciles de controlar.
- **Use la herramienta eléctrica, los accesorios, las brocas, etc. según estas instrucciones, teniendo en cuenta las condiciones de trabajo y la tarea que se va a realizar.** Si se utiliza la herramienta eléctrica para operaciones diferentes de las indicadas podría originar una situación peligrosa.

- **Mantenga los mangos y superficies de agarre limpias y libres de aceite y grasa.** Los mangos y superficies de agarre resbalosas no permiten la manipulación y control seguro de la herramienta en situaciones inesperadas.

SERVICIO

- **Permita que un técnico de reparación calificado preste servicio a la herramienta eléctrica, y sólo con piezas de repuesto idénticas.** De esta manera se mantiene la seguridad de la herramienta eléctrica.

REGLAS DE SEGURIDAD SIERRA DE MESA

PROTECTOR DE HOJA, CUÑA DE SEPARACIÓN Y TRINQUETES ANTICONTRAGOLPE

- **Mantenga los protectores en su lugar. Los protectores deben funcionar correctamente y colocarse de forma apropiada.** Repare o reemplace el protector si está flojo, dañado o no funciona correctamente.
- **Use siempre el protector de la hoja, la cuña de separación y los trinquetes anticontracolpe en todas las operaciones de corte completo.** En las operaciones de corte completo donde la hoja de la sierra traspasa todo el grosor de la pieza de trabajo, el protector y otros dispositivos de seguridad ayudan a reducir el riesgo de lesiones.
- **Vuelva a colocar el sistema de protección de inmediato después de completar una operación (como cortes de rebajado, ranurado o verticales) que requiera quitar el protector, la cuña de separación y los trinquetes anticontracolpe.** El protector, la cuña de separación y los trinquetes anticontracolpe ayudan a reducir el riesgo de lesiones.
- **Asegúrese de que la hoja de la sierra no esté en contacto con el protector, la cuña de separación ni la pieza de trabajo antes de encender la sierra.** El contacto inadvertido de estos elementos con la hoja de la sierra podría ocasionar una situación peligrosa.
- **Ajuste la cuña de separación según se describe en el manual de instrucciones.** El espaciado, el posicionamiento y la alineación incorrectos pueden hacer que la cuña de separación no cumpla con su función de reducir la posibilidad de contragolpes.
- **Para que la cuña de separación y los trinquetes anticontracolpe funcionen, deben hacer contacto con la pieza de trabajo.** La cuña de separación y los trinquetes anticontracolpe son ineficientes al cortar piezas de trabajo demasiado cortas para que hagan contacto con estos elementos. En estas condiciones, estos dos elementos no pueden evitar un contragolpe.
- **Use la hoja de sierra apropiada para la cuña de separación.** Para que la cuña de separación funcione de manera adecuada, el diámetro de la hoja de la sierra debe ajustarse a la cuña de separación apropiada, el cuerpo de la hoja de la sierra debe ser más delgado que el grosor de la cuña de separación y el ancho de corte de la hoja de la sierra debe ser mayor que el grosor de la cuña de separación.

PROCEDIMIENTOS DE CORTE

- **PELIGRO: Nunca coloque los dedos o las manos cerca o en línea con la hoja de la sierra.** Un momento de desatención o un deslizamiento podrían hacer que se le escapen las manos hacia la hoja de la sierra y ocasionar lesiones personales graves.
- **Inserte la pieza de trabajo en la hoja de la sierra en dirección inversa a la rotación.** Si lo hace en la misma dirección de la rotación de la sierra sobre la mesa, la pieza de trabajo y la mano podrían irseles hacia la hoja de la sierra.
- **Nunca use el medidor de inglete para insertar la pieza de trabajo al cortar y no use la guía de corte como tope de longitud al hacer cortes completos rectos con el medidor de inglete.** Si guía la pieza de trabajo con la guía de corte y el medidor de inglete al mismo tiempo, incrementará la posibilidad de que la hoja de la sierra se trabe con el material o se produzca un contragolpe.
- **Al cortar, aplique siempre la fuerza de inserción de la pieza de trabajo entre la guía y la hoja de la sierra. Use un empujador si la distancia entre la guía y la hoja de la sierra es menor de 150 mm, y un bloqueador de empuje si la distancia es menor de 50 mm.** Los dispositivos de “asistencia en el trabajo” mantendrán la mano a una distancia segura con respecto a la hoja de la sierra.
- **Use solo el empujador provisto por el fabricante o uno fabricado según las instrucciones.** El empujador ofrece distancia suficiente entre la mano y la hoja de la sierra.
- **Nunca use un empujador quebrado o dañado.** Un empujador dañado podría romperse y hacer que la mano se le vaya hacia la hoja de la sierra.
- **No realice operaciones “a mano alzada”. Use siempre la guía de corte o el medidor de inglete para colocar y guiar la pieza de trabajo.** “A mano alzada” significa usar las manos para sostener o guiar la pieza de trabajo en lugar de usar la guía de corte o el medidor de inglete. Si realiza operaciones “a mano alzada”, podría ocasionar desalineación, que la hoja se trabe contra el material o contragolpes.
- **Nunca se acerque o acerque las manos a una hoja de sierra en movimiento.** Si lo hace, podría tocar la hoja de la sierra en movimiento de manera accidental.

REGLAS DE SEGURIDAD SIERRA DE MESA

- **Proporcione apoyo auxiliar para la pieza de trabajo en la parte trasera y los laterales de la mesa de la sierra cuando corte piezas largas o anchas, a fin de mantenerlas niveladas.** Las piezas de trabajo largas o anchas tienden a pivotar con el borde de la mesa, lo que podría hacer perder el control, que la hoja de la sierra se trabe con el material o se origine un contragolpe.
- **Inserte la pieza de trabajo a un ritmo uniforme. No doble ni fuerce la pieza de trabajo. Si se produce un atasco, apague la herramienta de inmediato, desenchufe la sierra y quite el atasco.** Si la pieza de trabajo queda atascada con la hoja de la sierra, podría producirse un contragolpe o detenerse el motor.
- **No retire pedazos de material cortado mientras la sierra esté en funcionamiento.** El material podría quedar atrapado entre la guía o dentro del protector de la hoja y la hoja de la sierra, y hacer que se le vayan los dedos hacia la hoja de la sierra. Apague la sierra y espere hasta que se detenga la hoja antes de retirar el material.
- **Use una guía auxiliar que esté en contacto con la superficie de la mesa al cortar piezas de trabajo de menos de 2 mm de grosor.** Una pieza de trabajo delgada podría quedar debajo de la guía de corte y originar un contragolpe.

CONTRAGOLPE

Contragolpe es una reacción repentina de la pieza de trabajo debido a una hoja atascada o una línea de corte desalineada en la pieza de trabajo con respecto a la hoja de la sierra, o en caso de que una parte de la pieza de trabajo se trabe entre la hoja de la sierra y la guía de corte u otro objeto fijo.

En la mayoría de los casos donde se produce un contragolpe, la parte trasera de la hoja hace saltar la pieza de trabajo hacia arriba y en dirección al usuario.

Un contragolpe es resultado del uso inadecuado de la sierra o de condiciones o procedimientos operativos incorrectos, y puede evitarse tomando las precauciones apropiadas, como se indica a continuación.

- **Nunca se pare directamente en línea con la hoja de la sierra. Coloque siempre el cuerpo del mismo lado de la guía.** El contragolpe podría impulsar la pieza de trabajo a gran velocidad en dirección a cualquier persona que esté parada en frente y en línea con la hoja de la sierra.
- **Nunca se acerque a la hoja de la sierra ni coloque las manos detrás de ella para empujar o sostener la pieza de trabajo.** Podría contactar accidentalmente la hoja de la sierra o un contragolpe podría arrastrarle los dedos hacia la hoja.
- **Nunca sostenga y presione la porción de la pieza de trabajo que está cortando contra la hoja de la sierra en movimiento.** Si presiona la pieza de trabajo que está cortando contra la hoja de la sierra, la hoja podría trabarse con el material y originarse un contragolpe.
- **Alinee la guía para que quede paralela con la hoja de la sierra.** Si la guía está desalineada, la pieza de trabajo quedará atascada contra la hoja de la sierra y se generará un contragolpe.
- **Use una tabla de canto biselado para guiar la pieza de trabajo contra la mesa y la guía al realizar cortes parciales, como cortes de rebajado, ranurado o verticales.** La tabla de canto biselado ayuda a controlar la pieza de trabajo en caso de un contragolpe.
- **Tenga mayor precaución cuando realice un corte en áreas ciegas de piezas de trabajo ensambladas.** La hoja de la sierra sobresaliente podría cortar objetos que causen un contragolpe.
- **Sostenga los paneles grandes para minimizar el riesgo de que la hoja de la sierra quede atorada o se produzcan contragolpes.** Los paneles grandes tienden a caerse por el propio peso. Debe colocar soportes en todas las porciones del panel que sobresalgan de la superficie de la mesa.
- **Tenga mayor precaución al cortar una pieza de trabajo torcida, hinchada, deformada o que no tenga un borde recto para guiarlo con un medidor de inglete o a lo largo de la guía.** Una pieza de trabajo en alguna de estas condiciones no ofrece estabilidad y hace que el corte de la sierra quede desalineado con la hoja de la sierra, la hoja se trabe con el material o se origine un contragolpe.
- **Nunca corte más de una pieza de trabajo apilada de manera vertical u horizontal.** La hoja de la sierra podría levantar una o más piezas, y originar un contragolpe.
- **Al volver a encender la sierra con la hoja en la pieza de trabajo, centre la hoja en el corte de la sierra de modo que los dientes de la sierra no queden agarrados del material.** Si la hoja de la sierra se traba con el material, podría levantar la pieza de trabajo y originar un contragolpe al volver a encender la sierra.
- **Mantenga las hojas de la sierra limpias, afiladas y con los dientes en la dirección correcta. Nunca use hojas de sierra retorcidas u hojas con dientes rotos o resquebrajados.** Las hojas de sierra afiladas y con dientes en la dirección correcta minimizan la posibilidad de que se traben con el material o se detengan, o de que se origine un contragolpe.

USO DE LA SIERRA DE MESA

- **Apague la sierra de mesa y desconecte el cable de alimentación al extraer la placa de la garganta, cambiar la hoja de la sierra o hacer ajustes en la cuña de separación, los trinquetes anticontragolpe o el protector de la hoja, además de cuando abandone la mesa.** Las medidas preventivas ayudarán a evitar accidentes.
- **Nunca abandone la sierra de mesa mientras esté funcionando. Apáguela y no abandone la herramienta hasta que se detenga por completo.** Si abandona la sierra en funcionamiento, podría producirse una situación peligrosa.
- **Coloque la sierra de mesa en un área bien iluminada y una superficie nivelada donde usted pueda caminar de forma cómoda y equilibrada. Además, debe colocarla en un lugar que ofrezca espacio suficiente para manipular el tamaño de la pieza de trabajo con facilidad.** Los lugares incómodos y oscuros, y los pisos resbaladizos y desparejos contribuyen a que se originen accidentes.
- **Limpie con frecuencia y quite el aserrín que queda debajo de la mesa de la sierra o el dispositivo de recolección de polvo.** El aserrín acumulado es combustible y podría encenderse solo.
- **La sierra de mesa debe estar segura.** Si la sierra de mesa no está segura, podría moverse o voltearse.
- **Retire las herramientas, los pedacitos de madera y cualquier otro objeto que perturbe en la mesa antes de encender la sierra.** Una distracción o un posible atasco podrían ser peligrosos.
- **Use siempre hojas de sierra con orificios de encastre de un tamaño y una forma apropiados (hojas con diamante en comparación con hojas redondas).** Las hojas de sierra que no se adapten de forma apropiada al sistema de montaje de la sierra se descentrarán, lo que hará perder el control.

REGLAS DE SEGURIDAD SIERRA DE MESA

- **Nunca use medios de montaje de hojas de sierra dañados o incorrectos, como bridas, arandelas de hoja de sierra, pernos o tuercas.** Estos medios de montaje se diseñaron específicamente para su sierra a fin de obtener un rendimiento óptimo y seguro.
- **Nunca se pare sobre la sierra de mesa. No la use como taburete para pararse.** Si la herramienta vuelca o usted toca

accidentalmente la herramienta de corte, podría sufrir una lesión grave.




- **Asegúrese de instalar la hoja de la sierra para que gire en la dirección apropiada. No use discos de esmerilado, cepillos de alambre ni discos abrasivos con la sierra de mesa.** La instalación inapropiada de la hoja de la sierra o el uso de accesorios no recomendados podrían ocasionar lesiones graves.

ADVERTENCIAS DE SEGURIDAD ADICIONALES

- **Familiarícese con su herramienta eléctrica.** Lea cuidadosamente el manual del operador. Aprenda los usos y limitaciones de la sierra, así como los posibles peligros específicos de esta herramienta.
- **Haga su taller a prueba de niños, con candados, interruptores maestros y retirando las llaves de arranque.**
- **Use un cable de extensión adecuado.** Asegúrese de que la extensión eléctrica esté en buen estado. Si se utiliza un cable de extensión, debe ser del calibre suficiente para soportar la corriente que consume el producto. Un cordón de grosor insuficiente causará una caída del voltaje de línea, lo que produce recalentamiento y pérdida de potencia. Se recomienda un calibre mínimo de 14 (A.W.G.) Para cables de extensión de 7,6 metros (25 pies) de largo o menos. Si tiene alguna duda, utilice un cable del calibre más grueso siguiente. Cuanto menor es el número de calibre, tanto mayor es el grosor del cordón.
- **Toujours porter une protection oculaire munie d'écrans latéraux certifiée conforme à la norme ANSI Z87.1.** Si cette précaution n'est pas prise, des objets peuvent être projetés dans les yeux et causer des lésions graves.
- **Afiance la pieza de trabajo.** Cuando convenga, sujete la pieza de trabajo con peine de sujeción. Es más seguro que detenerla manualmente y así ambas manos quedan libres para manejar la herramienta.
- **Use los accesorios recomendados.** Consulte este manual del operador, donde aparecen los accesorios recomendados. El empleo de accesorios inadecuados puede plantear el riesgo de lesiones.
- **Use sólo las hojas de corte correctas.** No use hojas con orificios de tamaño incorrecto. Nunca utilice arandelas ni pernos de hoja de corte que estén dañados o no sean los adecuados. La sierra admite hojas de un diámetro máximo de 254 mm (10 pulg.).
- **Inspeccione las piezas dañadas.** Antes de seguir utilizando la herramienta, es necesario inspeccionar cuidadosamente toda protección o pieza dañada, para verificar si funcionará correctamente y cumplirá la función a la que está destinada. Compruebe que las partes móviles estén bien alineadas y que no estén trabadas, que no haya piezas rotas, el montaje de las partes y cualquier otra condición que pudiera afectar su funcionamiento. Toda protección o pieza que esté dañada debe repararse apropiadamente o reemplazarse en un centro de servicio autorizado.
- **Nunca deje desatendida la herramienta funcionando. Apague la corriente.** No se aleje de la herramienta hasta ver que se detenga totalmente.
- **Protéjase los pulmones.** Use una careta o mascarilla contra el polvo si la operación de corte genera mucho polvo.
- **Protéjase el oído.** Durante períodos largos de uso de la unidad póngase protección para los oídos.
- **Al utilizar una herramienta eléctrica en el exterior, utilice un cordón eléctrico de extensión que lleve las marcas "W-A" o "W".** Estos cordones eléctricos están aprobados para el uso en exteriores y reducen el riesgo de descargas eléctricas.
- **Siempre mantenga el protector de la hoja y el cuchilla separador (abridora) en su lugar y en buenas condiciones de funcionamiento.**
- **Mantenga las manos alejadas del área de corte.** Mantenga las manos alejadas de la hoja de corte. No meta las manos por abajo de la pieza de trabajo ni alrededor o por encima de la hoja de corte mientras ésta está girando. No intente retirar ningún material cortado mientras la hoja de corte esté girando.
- **Evite operaciones y posiciones de mano incómodas, ya que un deslizamiento repentino podría hacer que se le escape la mano hacia la hoja.**
- **No coloque las manos detrás de la hoja de la sierra desde ningún costado de la hoja para sostener la pieza de trabajo, retirar restos de madera o por ningún otro motivo mientras la hoja esté girando.**
- **La sierra de mesa debe montarse sobre una superficie de apoyo firme, como una mesa de trabajo o un pedestal con patas que permita colocar la sierra a la altura de la cintura.** Además, proporcione un soporte adecuado, como mesas auxiliares, mesas de soporte con ruedas, soportes de salida, etc., cuando corte piezas de trabajo pesadas, anchas o largas. Las piezas de trabajo pesadas, anchas o largas pueden volcar si no se apoyan de manera segura. Si la pieza cortada o la pieza de trabajo vuelca, podría levantar la protección de la hoja o salir despedida por la hoja en movimiento.
- **Si se atora la pieza de trabajo o la hoja, apague la sierra de mesa.** Espere a que todas las partes en movimiento se detengan y desconecte el enchufe de la fuente de alimentación. Luego, libere el material atascado. Después de retirar el material, verifique que la hoja esté en posición paralela a la ranura del medidor de inglete y que la cuchilla separadora y la hoja estén alineadas. Si el atasco se produjo durante un corte al hilo, verifique que la guía de corte al hilo esté en posición paralela a la hoja. Realice ajustes si es necesario.

SÍMBOLOS

Las siguientes palabras de señalización y sus significados tienen el objeto de explicar los niveles de riesgo relacionados con este producto.

SÍMBOLO	SEÑAL	SIGNIFICADO
	PELIGRO:	Indica una situación peligrosa, la cual, si no se evita, causará la muerte o lesiones serias.
	ADVERTENCIA:	Indica una situación peligrosa, la cual, si no se evita, podría causar la muerte o lesiones serias.
	PRECAUCIÓN:	Indica una situación peligrosa, la cual, si no se evita, podría causar lesiones menores o leves.
	AVISO:	(Sin el símbolo de alerta de seguridad) Indica la información que se considera importante, pero no relacionada con lesiones potenciales (por ej. en relación a daños a la propiedad).

Es posible que se empleen en esta herramienta algunos de los siguientes símbolos. Le suplicamos estudiarlos y aprender su significado. Una correcta interpretación de estos símbolos le permitirá utilizar mejor y de manera más segura la herramienta.

SÍMBOLO	NOMBRE	DENOMINACIÓN/EXPLICACIÓN
	Alerta de seguridad	Indica un peligro posible de lesiones personales.
	Lea el manual del operador	Para reducir el riesgo de lesiones, el usuario debe leer y comprender el manual del operador antes de usar este producto.
	Protección ocular	Siempre póngase protección ocular con protección lateral con la marca de cumplimiento de la norma ANSI Z87.1.
	Símbolo de no acercar las manos	Si no mantiene las manos alejadas de la hoja de corte, se causará serias lesiones corporales.
	Alerta de condiciones húmedas	No exponga la unidad a la lluvia ni la use en lugares húmedos.
V	Volts	Voltaje
A	Amperes	Corriente
Hz	Hertz	Frecuencia (ciclos por segundo)
min	Minutos	Tiempo
~	Corriente alterna	Tipo de corriente
n ₀	Velocidad en vacío	Velocidad de rotación, en vacío
	Fabricación Clase II	Fabricación con doble aislamiento
.../min	Por minuto	Revoluciones, carreras, velocidad superficial, órbitas, etc., por minuto

ASPECTOS ELÉCTRICOS

DOBLE AISLAMIENTO

El doble aislamiento es una característica de seguridad de las herramientas eléctricas, la cual elimina la necesidad de usar el típico cordón eléctrico de tres conductores con conexión a tierra. Todas las partes metálicas expuestas están aisladas de los componentes metálicos internos del motor por medio de aislamiento de protección. No es necesario conectar a tierra las herramientas con doble aislamiento.

ADVERTENCIA:

El sistema de doble aislamiento está destinado para proteger al usuario contra las descargas eléctricas resultantes de la ruptura del cableado interno de la herramienta. Observe todas las precauciones de seguridad para evitar descargas eléctricas.

NOTA: El mantenimiento de una herramienta con doble aislamiento requiere sumo cuidado y conocimiento del sistema, y únicamente deben realizarlo técnicos de servicio calificados. Para el servicio de la herramienta, le sugerimos llevarla al centro de servicio autorizado más cercano para toda reparación. Siempre utilice piezas de repuesto de la fábrica original al dar servicio a la unidad.

CONEXIÓN ELÉCTRICA

Esta herramienta dispone de un motor eléctrico fabricado con precisión. Debe conectarse únicamente a **un suministro de voltaje de 120 V, corriente alterna solamente (corriente normal para uso doméstico), 60 Hz.** No utilice esta herramienta con corriente continua (c.c.). Una caída considerable de voltaje causa una pérdida de potencia y el recalentamiento del motor. Si la herramienta no funciona al conectarla en una toma de corriente, vuelva a verificar el suministro de voltaje.

CLAVIJAS POLARIZADAS

Vea la figura 1.

Las herramientas con aislamiento doble están equipadas de una clavija polarizada (una patilla es más ancha que la otra). Esta clavija encaja de una sola forma en una toma de corriente polarizada. Si la clavija no encaja completamente en la toma de corriente, invierta la clavija. Si aún así no encaja, comuníquese con un electricista calificado para que instale una toma de corriente adecuada. No modifique la clavija de ninguna manera.

CORDONES DE EXTENSIÓN

Al utilizar una herramienta eléctrica a una distancia considerable de la fuente de voltaje, asegúrese de utilizar un cordón de extensión con la suficiente capacidad para soportar la corriente de consumo de la herramienta. Un cordón de un calibre insuficiente causa una caída en el voltaje de línea, la cual a su vez produce recalentamiento y pérdida de potencia. Básese en la tabla suministrada para determinar el grosor mínimo requerido del cordón de extensión. Solamente

deben utilizarse cordones con forro redondo registrados en Underwriter's Laboratories (UL).

Al trabajar a la intemperie con una herramienta, utilice un cordón de extensión fabricado para uso en el exterior. Este tipo de cordón lleva las letras "WA" o "W" en el forro.

Antes de utilizar un cordón de extensión, inspecciónelo para ver si tiene conductores flojos o expuestos y aislamiento cortado o gastado.

**Amperaje (aparece en la placa de datos de la herramienta)

Longitud del cordón	Calibre conductores (A.W.G.)					
	0-2.0	2.1-3.4	3.5-5.0	5.1-7.0	7.1-12.0	12.1-16.0
25'	16	16	16	16	14	14
50'	16	16	16	14	14	12
100'	16	16	14	12	10	—

**Se usa en los circuitos de calibre 12, de 20 amperes.

NOTA: AWG = American Wire Gauge

ADVERTENCIA:

Mantenga el cordón de extensión fuera del área de trabajo. Al trabajar con una herramienta eléctrica, coloque el cordón de tal manera que no pueda enredarse en la madera, herramientas ni en otras obstrucciones. La inobservancia de esta advertencia puede causar lesiones serias.

ADVERTENCIA:

Inspeccione los cordones de extensión cada vez antes de usarlos. Si están dañados reemplácelos de inmediato. Nunca utilice la herramienta con un cordón dañado, ya que si toca la parte dañada puede producirse una descarga eléctrica, y las consecuentes lesiones serias.

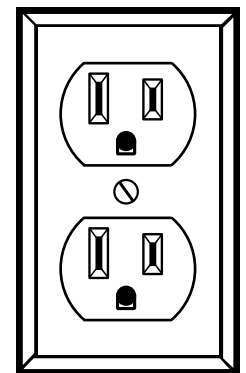
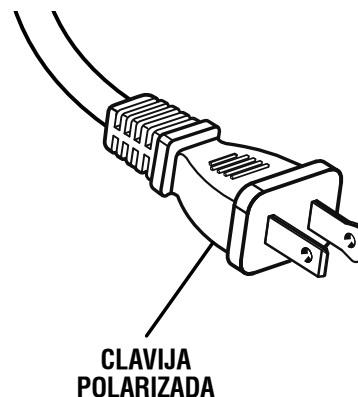


Fig. 1

GLOSARIO DE TÉRMINOS

Trinquetes anticontragolpe (sierras radiales y de mesa)

Es un dispositivo, el cual, cuando se instala y da mantenimiento correctamente, sirve para detener la pieza de trabajo para no ser lanzada hacia atrás, hacia la parte frontal la sierra durante una operación de corte al hilo.

Árbol

Es el eje donde se monta una hoja o herramienta de corte.

Corte en bisel

Es una operación de corte efectuada con la hoja a un ángulo diferente de 90° con respecto a la superficie de la mesa.

Chaflán

Es un corte efectuado para eliminar una cuña de un bloque de manera que el extremo (o una parte del mismo) quede a un ángulo diferente de 90°.

Corte combinado

Es un corte transversal efectuado a inglete y a bisel.

Corte transversal

Es una operación de corte o fresado efectuada a través de la fibra o ancho de la pieza de trabajo.

Cabeza de corte (cepillos normales y de juntas)

Es una cabeza de corte giratoria con hojas o cuchillas ajustables. Las hojas o cuchillas eliminan material de la pieza de trabajo.

Corte de ranura (sierras de mesa y sierras ingleteadoras deslizantes combinadas)

Un corte no pasante que produce una muesca cuadrada, de tres lados o en V en la pieza de trabajo.

Peine de sujeción (sierras de mesa)

Es un dispositivo empleado como ayuda para controlar la pieza de trabajo guiándola con seguridad contra la mesa o la guía durante las operaciones de corte al hilo.

PPM o GPM

Pies por minuto (o golpes por minuto), se emplea refiriéndose al movimiento de la hoja.

A pulso

Es efectuar un corte sin guiar la pieza de trabajo con ninguna guía, guía de ingletes ni ningún otro medio.

Goma

Es el residuo pegajoso de savia presente en la madera.

Talón

Es la alineación de la hoja con respecto a la ranura de la guía de inglete.

Corte

Es la cantidad de material eliminado por la hoja en un corte completo con traspaso, o en una ranura producida por la hoja en un corte sin traspaso o parcial.

Contragolpe

Es un peligro que puede ocurrir cuando la hoja se atora o se atasca, y lanza la pieza de trabajo hacia atrás, en la dirección de la hoja giratoria.

Corte a inglete

Es una operación de corte efectuada con la pieza de trabajo a un ángulo diferente de 90° con respecto a la hoja.

Cortes sin traspaso (sierras de mesa y sierras ingleteadoras deslizantes combinadas)

Es cualquier operación de corte en la cual la hoja de corte no traspasa completamente el espesor de la pieza de trabajo. Este

es un corte en el cual la hoja no corta la pieza de trabajo en dos pedazos.

Agujero guía (taladradoras de columna y sierras caladoras)

Es un agujero pequeño taladrado en una pieza de trabajo, el cual sirve como guía para taladrar con precisión agujeros más grandes.

Bloques empujadores (para cepillos de juntas)

Son dispositivos empleados para avanzar la pieza de trabajo por el cepillo de juntas durante cualquier operación. Este medio ayuda al operador a mantener las manos alejadas de la cabeza de corte.

Bloques y palos empujadores (para sierras de mesa)

Son dispositivos empleados para avanzar la pieza de trabajo a través de la sierra durante operaciones de corte. Para las operaciones de cortes al hilo angostos debe emplearse un palo empujador (no un bloque empujador). Estos medios ayudan al operador a mantener las manos alejadas de la hoja de corte.

Rebaje

Un corte no pasante ubicado en el extremo o borde de la pieza de trabajo que produce una muesca cuadrada, de dos lados o en V en la pieza de trabajo.

Reaserrado (sierras de mesa y sierras de banda)

Es una operación de corte efectuada para reducir el espesor de la pieza de trabajo para hacer piezas más delgadas.

Resina

Es la sustancia pegajosa a base de savia que se endurece.

Revoluciones por minuto (RPM)

Es el número de vueltas realizadas por un objeto en movimiento de giro en un minuto.

Corte longitudinal o al hilo (sierras de mesa)

Es una operación de corte paralela al largo de la pieza de trabajo y generalmente en la dirección del grano.

Cuchilla separadora/Abridor/Separador (sierras de mesa)

Es una pieza metálica, levemente más delgada que la hoja, la cual se emplea para mantener abierto el corte y también ayuda a evitar un contragolpe.

Trayectoria de la hoja de la sierra

Es el área encima, abajo, detrás o delante de la hoja. En relación con la pieza de trabajo, es el área que será o ha sido cortada por la hoja.

Redondeo de aristas (cepillos)

Es una depresión hecha en cualquiera de los dos extremos de una pieza de trabajo por las cuchillas de corte cuando no se proporciona un apoyo adecuado a la pieza de trabajo.

Cónico Corte

Un corte donde el material para ser corte tiene una anchura diferente al principio del corte del el fin.

Aserrado con traspaso

Es cualquier operación de corte en la cual la hoja de corte traspasa completamente el espesor de la pieza de trabajo. Este tipo de corte separa la pieza de trabajo simple en dos pedazos.

Pieza de trabajo o material

Es la pieza a la que se efectúa la operación.

Mesa

Es la superficie sobre la cual descansa la pieza de trabajo mientras se le efectúa una operación de corte, taladrado, cepillado o lijado.

CARACTERÍSTICAS

ESPECIFICACIONES DEL PRODUCTO

Árbol de la hoja de corte 16 mm (5/8 pulg.)
Diámetro de la hoja 254 mm (10 pulg.)
Inclinación de la hoja 0° - 45°
Especificaciones eléctricas 120 V ~, 13 A, 60 Hz

Velocidad en vacío 5 000/min. (RPM)
Profundidad de corte a 0°: 74,4 mm (3-1/8 pulg.)
Profundidad de corte a 45°: 57,2 mm (2-1/4 pulg.)

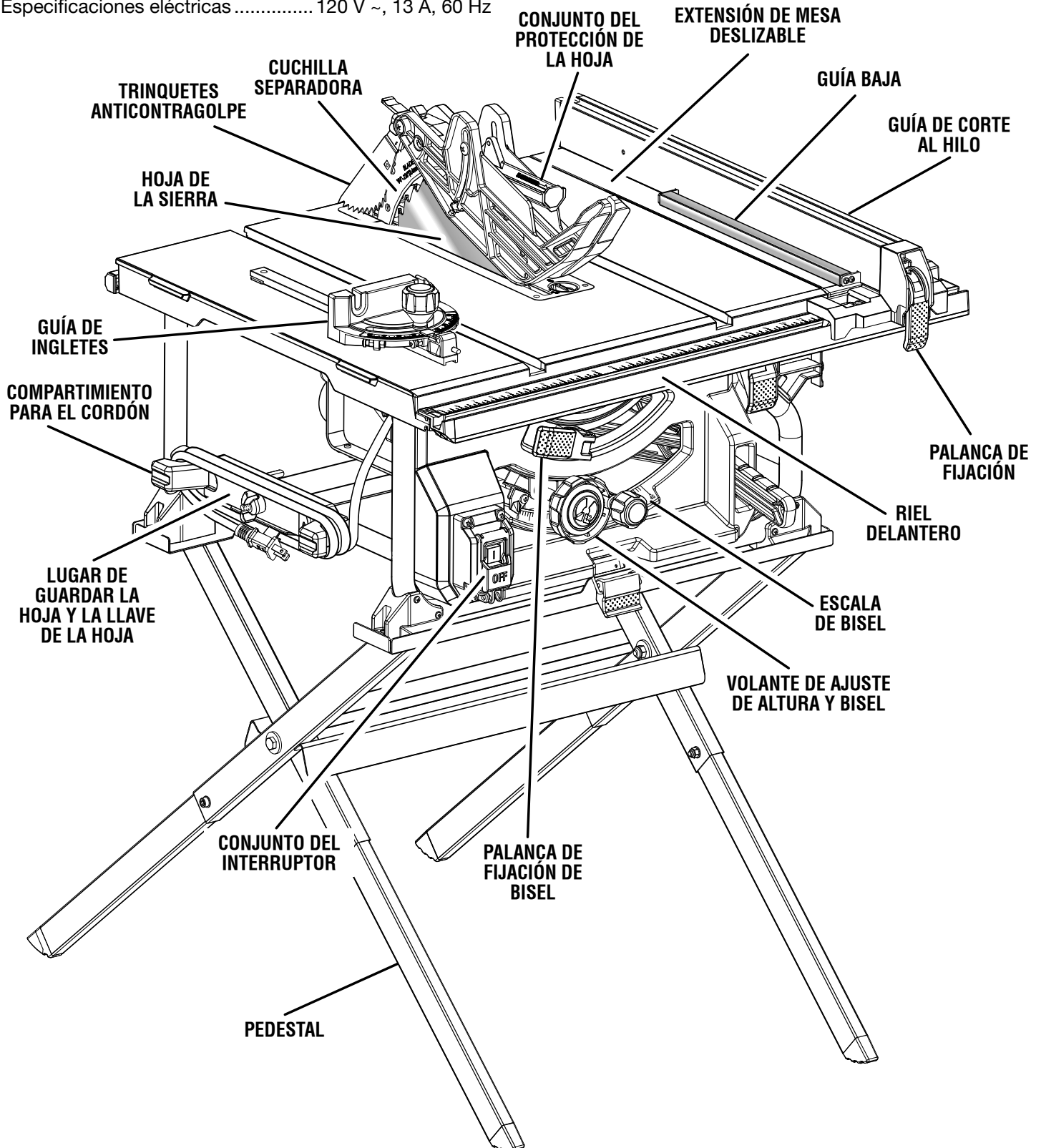


Fig. 2

CARACTERÍSTICAS

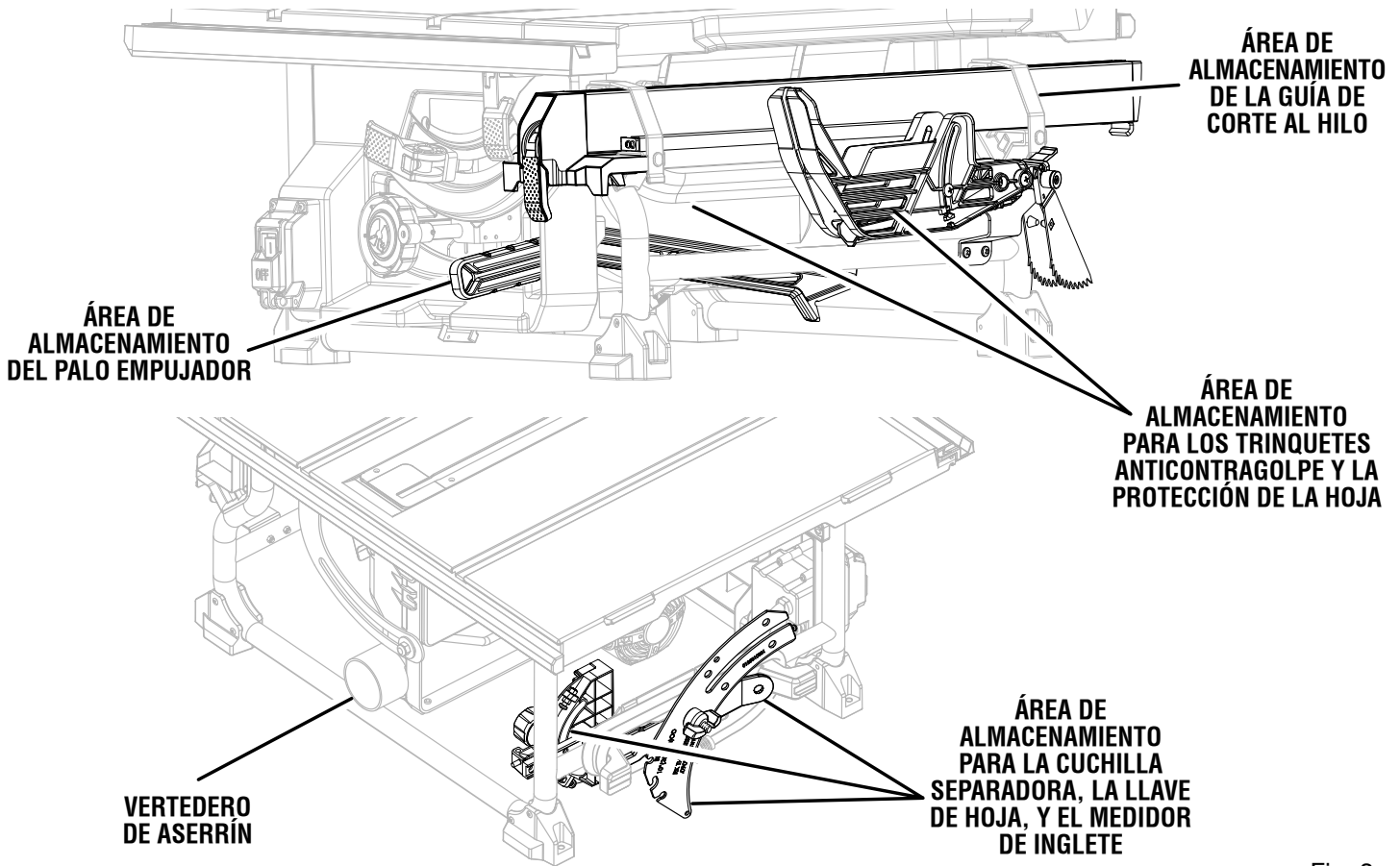


Fig. 3

FAMILIARÍCESE CON LA SIERRA DE MESA

Vea las figuras 2 y 3.

El uso seguro que este producto requiere la comprensión de la información impresa en la herramienta y en el manual del operador así como ciertos conocimientos sobre el proyecto a realizar. Antes de usar este producto, familiarícese con todas las características de funcionamiento y normas de seguridad.

ALMACENAMIENTO DE ACCESORIOS - Debajo de la mesa de la sierra, hay áreas de almacenamiento prácticas para el palo empujador, la cuchilla separadora, las llaves, la protección de la hoja, el medidor de inglete, los trinquetes anticongolpe y la guía de corte al hilo.

TRINQUETES ANTICONGOLPE - El conragolpe es un peligro en el cual la pieza de trabajo resulta lanzada hacia atrás, en dirección del operador. Los separable trinquetes anticongolpe apuntan hacia la dirección opuesta de la pieza de trabajo. En caso de que ésta resulte empujada hacia el operador, entonces los dientes muerden la madera para impedir o reducir la posibilidad de un conragolpe.

PALANCA DE FIJACIÓN DE BISEL - Esta palanca, situada justo bajo la superficie de la mesa de la sierra al frente de la sierra, sirve para fijar el ángulo de la hoja.

ESCALA DE BISEL - Esta escala de fácil lectura situada en la parte frontal de la sierra muestra el ángulo exacto de la hoja de corte.

HOJA DE CORTE - Para un óptimo desempeño, se recomienda el uso de la hoja de corte de 254 mm (10 pulg.) con puntas de carburo suministrada con la sierra. La hoja se sube y baja con el volante de ajuste de altura. Los ángulos de bisel se fijan con la palanca

de fijación de bisel. Hay disponibles estilos adicionales de hojas de corte de la misma alta calidad para operaciones específicas tales como el corte al hilo. El distribuidor de la localidad puede proporcionarle la información completa.

La anchura del corte debe estar dentro de los límites estampados en el cuchilla separadora.

ADVERTENCIA:

Asegúrese de usar únicamente hojas con velocidad nominal mínima inferior a la de esta herramienta. Pregunte en la tienda local al menudeo de su preferencia.

PROTECCIÓN DE LA HOJA - Siempre mantenga la separable protección de la hoja sobre ésta al efectuar cortes con traspaso del espesor de la pieza.

FRENO ELÉCTRICO - Se proporciona un freno eléctrico para detener la rotación de la hoja después de apagar la sierra.

VOLANTE DE AJUSTE DE ALTURA Y BISEL - Este volante, situado en la parte delantera de la sierra, sirve para subir y bajar la hoja con el fin de efectuar ajustes a la altura de la misma, o reemplazarla y para ajuste del ángulo de bisel.

GUÍA DE INGLETES - La guía de ingletes sirve para alinear la pieza de trabajo para cortes transversales. Este indicador de fácil lectura muestra el ángulo exacto para cortes a inglete, y tiene topes a 90° y a 45°.

RANURAS DE LA GUÍA DE INGLETES - La guía de ingletes se desplaza por las ranuras de la mesa de la sierra.

CARACTERÍSTICAS

GUÍA DE CORTE AL HILO - Es una resistente guía metálica que sirve de apoyo a la pieza de trabajo y se fija con la manija de bloqueo. Las ranuras están colocadas a lo largo de la parte superior y en los lados de la guía de corte al hilo para permitir el uso de mordazas (prensas) y accesorios optativos.

NOTA: La guía baja solo debe estar orientada hacia la hoja cuando corte materiales angostos de 19,05 mm (3/4 pulg.) de grosor o menos.

ESCALA DE CORTE AL HILO - Esta escala de corte al hilo de fácil lectura se encuentra en el riel delantero, y permite obtener mediciones exactas en los cortes al hilo.

CUCHILLA SEPARADORA - Es una separable pieza metálica, levemente más delgada que la hoja de la sierra, la cual se emplea para mantener abierto el corte y evitar así un contragolpe. Cuando en el por lanzamiento, o “arriba” posición, es más alto que la hoja de sierra. Cuando en el corte no pasante que aserrado, o “hacia abajo” posición, está debajo de los dientes de hoja de sierra.

EXTENSIÓN DE MESA DESLIZABLE - Estas extensión de mesa están situadas a derecho de la mesa de la sierra, y brindan al operador soporte adicional al cortar piezas de trabajo anchas.

ARRANQUE SUAVE - esta sierra está equipada con ARRANQUE suave. EL ARRANQUE suave lleva gradualmente el motor a la velocidad de funcionamiento al reducir electrónicamente la carga y la torsión en el arranque inicial. EL ARRANQUE suave minimiza la probabilidad de activación de disyuntores.

CONJUNTO DEL INTERRUPTOR - Esta sierra dispone de un conjunto del interruptor de fácil acceso ubicado bajo el riel delantero. Para bloquear el interruptor, instale un candado (no incluido) en los orificios del interruptor y la cubierta. Una vez que lo haga, asegúrese de que el interruptor no funcione. Si el interruptor sigue funcionando con el candado instalado, debe usarse un candado con un diámetro de grillete más grande. Guarde la llave del candado en otro lugar.

COMPONENTES EMPLEADOS EN EL MANEJO DE LA UNIDAD

La porción superior de la hoja sobresale de la mesa, y está rodeada por un inserto llamado placa de la garganta. La altura de la hoja se fija por medio de un volante ubicado en la parte frontal de la sierra. Se incluyen instrucciones detalladas para los cortes básicos en la sección *Funcionamiento* de este manual: cortes rectos transversales, cortes en inglete, cortes en bisel y cortes compuestos.

La guía de corte al hilo se emplea para acomodar la pieza de trabajo con el fin de efectuar cortes longitudinales. Una escala situada en el riel delantero muestra la distancia existente entre la guía de corte al hilo y la hoja.

Es muy importante utilizar el conjunto de protección de la hoja en todas las operaciones de corte con traspaso. El conjunto protector de la hoja cortadora incluye: una cuchilla separadora, trinquetes anticontragolpe y protección de la hoja.

CONJUNTO DEL INTERRUPTOR

Vea la figura 4.

Esta sierra está equipada con un conjunto del interruptor dotado de cerradura de llave integrada. Esta característica tiene la finalidad de evitar el uso no autorizado y posiblemente peligroso por niños y otras personas.

NOTA: No es necesario que levante la cubierta del interruptor para operarlo.

PARA ENCENDER LA SIERRA:

- Presione el botón superior del interruptor para encender la sierra.

NOTA: Si se desconecta o interrumpe la alimentación de CA mientras la sierra está funcionando, esta se apagará. Para volver a encender la sierra, restablezca la alimentación de CA y presione la parte superior del interruptor.

PARA APAGAR LA SIERRA:

- Presione el botón inferior del interruptor para apagar la sierra.

PARA ASEGURAR LA SIERRA:

- Con la sierra apagada, instale un candado (no incluido) en los orificios y la cubierta del interruptor.

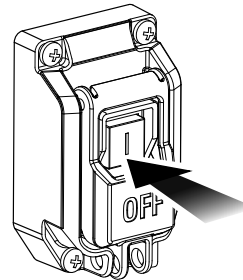
⚠ ADVERTENCIA:

SIEMPRE asegúrese de que la pieza de trabajo no toque la hoja antes de accionar el interruptor para encender la herramienta. La inobservancia de esta advertencia puede causar el lanzamiento violento de la pieza de trabajo hacia el operador, con consiguientes posibles lesiones serias.

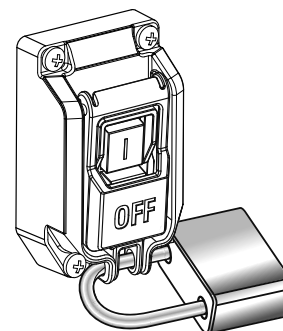
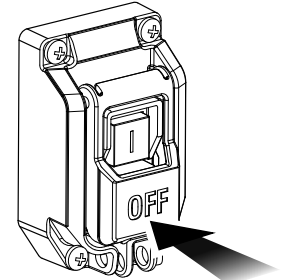
⚠ ADVERTENCIA:

Para reducir el riesgo de un arranque accidental, asegúrese siempre de que el botón superior del interruptor no esté presionado antes de enchufar la herramienta a la fuente de alimentación.

INTERRUPTOR EN POSICIÓN DE ENCENDIDO



INTERRUPTOR EN POSICIÓN DE APAGADO



INTERRUPTOR EN POSICIÓN ASEGURADA

Fig. 4

HERRAMIENTAS NECESARIAS

Se necesitan las siguientes herramientas (no incluido o dibujado para escalar) para el armado y la alineación:

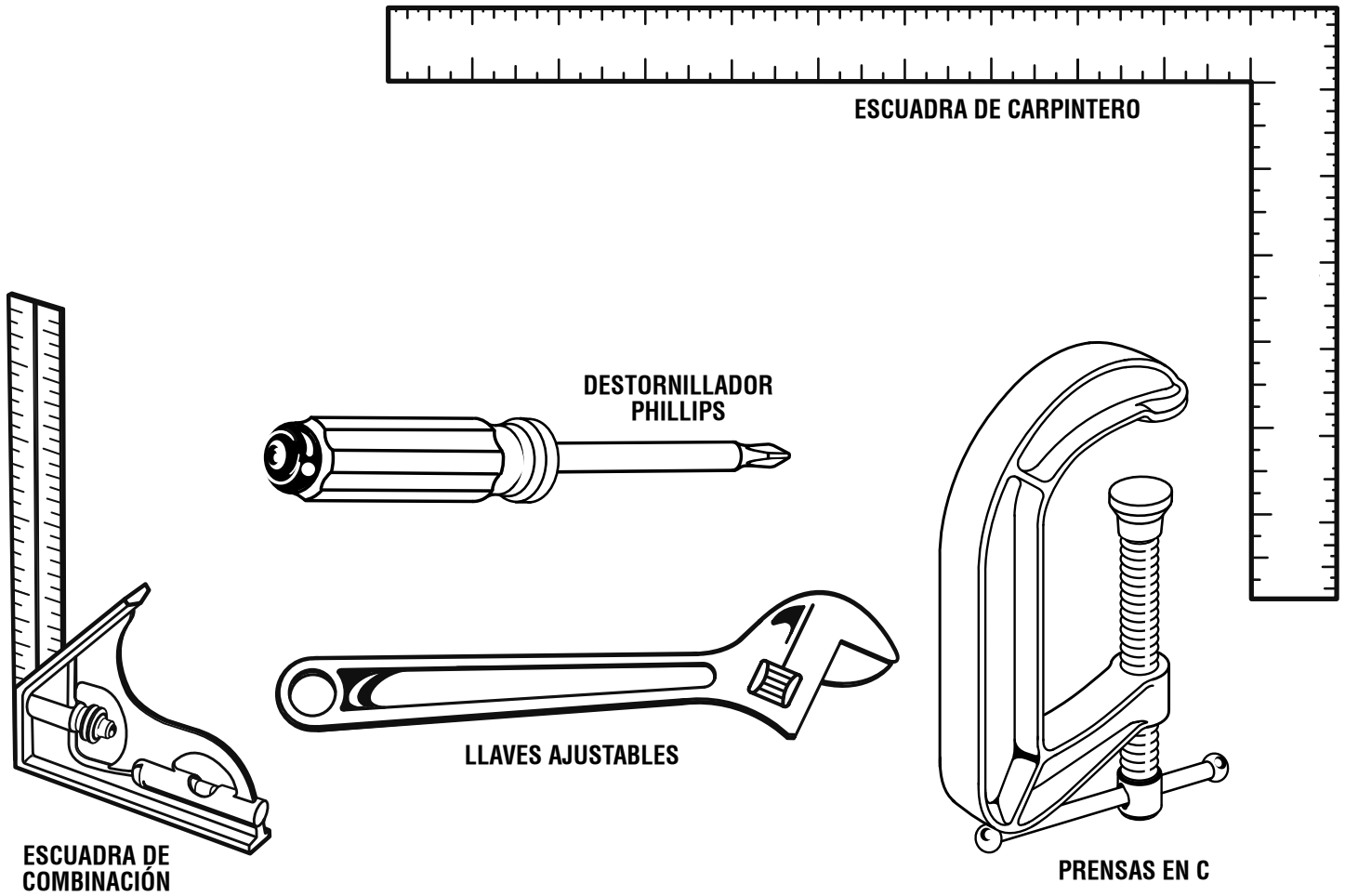


Fig. 5

PIEZAS SUELTAS

Con la sierra de mesa vienen incluidos los siguientes artículos:

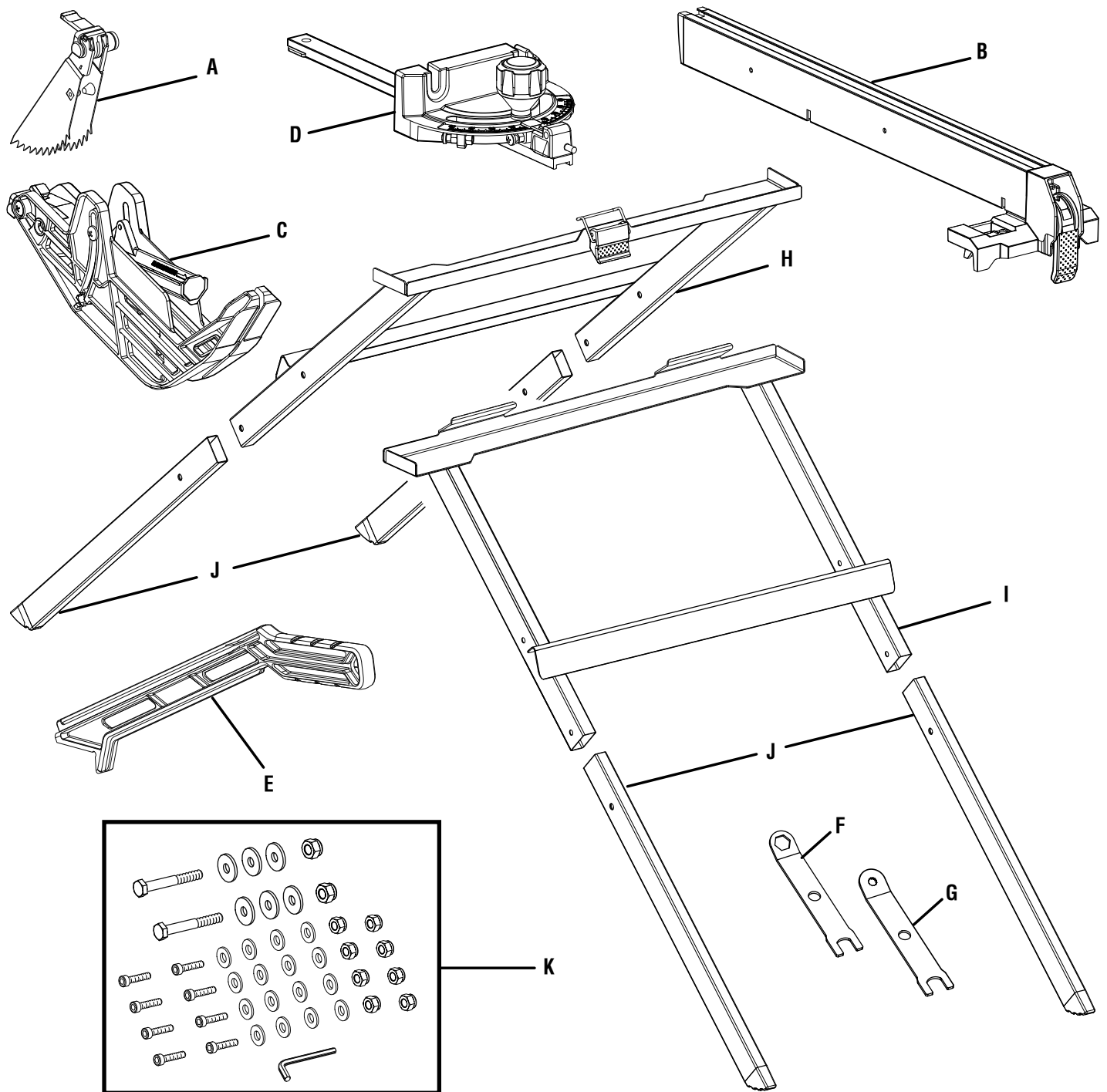


Fig. 6

A. Trinquetes anticontraGolpe.....	1	I. Soporte de apoyo externo	1
B. Guía de corte al hilo	1	J. Patas	4
C. Protección de la hoja	1	K. Bolsa de piezas de ferretería	
D. Guía de ingletes	1	Perno de cabeza hexagonal	2
E. Palos empujadora	1	Arandela grande	6
F. Llave de la hoja, grande (en el área de almacenamiento)	1	Tuerca grande.....	2
G. Llave de la hoja, pequeña (en el área de almacenamiento) ...	1	Pernos de cabeza hueca.....	8
H. Soporte de apoyo interno	1	Arandela pequeña	16
		Tuerca pequeña.....	8
		Llave hexagonal (5 mm).....	1

ARMADO

DESEMPAQUETADO

Este producto requiere armarse.

- Levante cuidadosamente de la caja la sierra y colóquela sobre una superficie de trabajo nivelada.

ADVERTENCIA:

No utilice este producto si alguna pieza incluida en la *lista de piezas sueltas* ya está ensamblada al producto cuando lo desempaqueta. El fabricante no ensambla las piezas de esta lista en el producto. Éstas deben ser instaladas por el usuario. El uso de un producto que puede haber sido ensamblado de forma inadecuada podría causar lesiones personales graves.

-
- Inspeccione cuidadosamente la herramienta para asegurarse de que no haya sufrido ninguna rotura o daño durante el transporte.
 - No deseche el material de empaquetado sin haber inspeccionado cuidadosamente la herramienta y haberla utilizado satisfactoriamente.

NOTA: Retire el bloque de espuma del área intermedia-situada entre el mesa de la sierra y el motor por bisel primero la hoja, consulte **Para cambiar el ángulo de la hoja (bisel)** en la sección de *Funcionamiento* de este manual.

- La sierra viene ajustada desde la fábrica para realizar cortes exactos. Después de armarla verifique la exactitud de la misma. Si en el envío resultaron afectados los ajustes, consulte los procedimientos específicos explicados en este manual.
- Si hay alguna parte dañada o faltante, llame al 1-866-539-1710, donde le brindaremos asistencia.

ADVERTENCIA:

Si hay piezas dañadas o faltantes, no utilice esta herramienta sin haber reemplazado todas las piezas. Usar este producto con partes dañadas o faltantes puede causar lesiones serias al operador.

ADVERTENCIA:

No intente modificar esta herramienta ni hacer accesorios no recomendados para ella. Cualquier alteración o modificación constituye un uso indebido, y puede crear una situación peligrosa que culmine en lesiones corporales graves.

ADVERTENCIA:

No conecte la unidad al suministro de corriente sin haber terminado de armarla. De lo contrario la unidad puede ponerse en marcha accidentalmente, con el consiguiente riesgo de lesiones corporales serias.

ADVERTENCIA:

No levante la sierra sin ayuda. Sosténgala cerca de su cuerpo. Mantenga dobladas las rodillas y levante con las piernas, no con la espalda. Si ignora estas medidas de precaución, puede causarse lesiones en la columna.

ADVERTENCIA:

Nunca se pare directamente en la misma línea de la hoja ni acerque las manos a menos de 76,2 mm (3 pulg.) de ella. No trate de alcanzar nada extendiendo el brazo por encima o alrededor de la hoja. La falta de atención a esta advertencia puede redundar en lesiones graves.

ADVERTENCIA:

Para evitar lesiones graves, siempre asegúrese de que la sierra de mesa esté firmemente montada en un banco de trabajo o en un pedestal de patas aprobado. NUNCA utilice la sierra colocada en el piso.

AGUJEROS DE MONTAJE

La sierra de mesa debe montarse en una superficie de soporte firme, como un banco de trabajo o un pedestal de patas. Hay cuatro agujeros para perno en la armazón de la sierra para este fin.

Si se atornilla a un banco de trabajo, los pernos deben ser de la suficiente longitud para dar acomodo a la base de la sierra, las arandelas de seguridad, las tuercas hexagonales y el espesor del banco de trabajo o otra superficie de montaje. Apriete firmemente los pernos o los tornillos. Después del montaje revise cuidadosamente el banco de trabajo para asegurarse de que no haya ocurrido ningún desplazamiento. Si el banco de trabajo se inclina, desliza o camina, asegúrelo al piso antes de utilizar la unidad.

Para instalar la sierra en el pedestal, consulte el procedimientos específicos, más abajo en este manual.

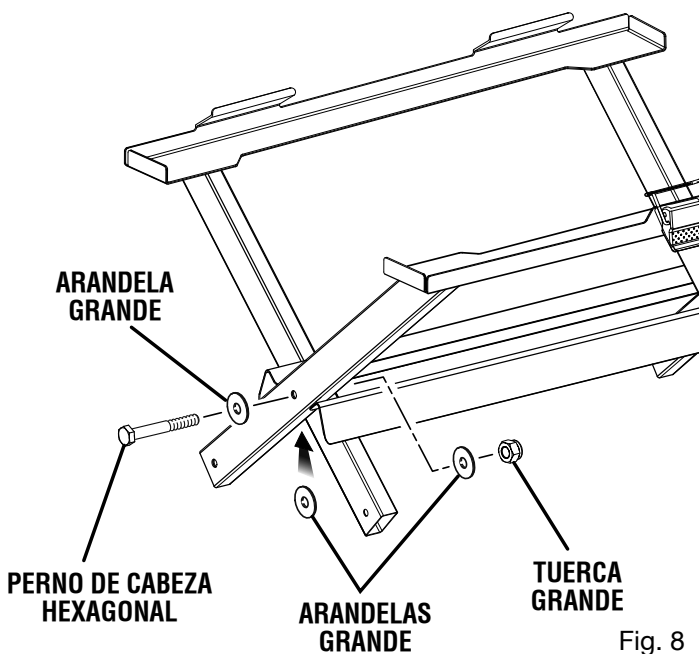
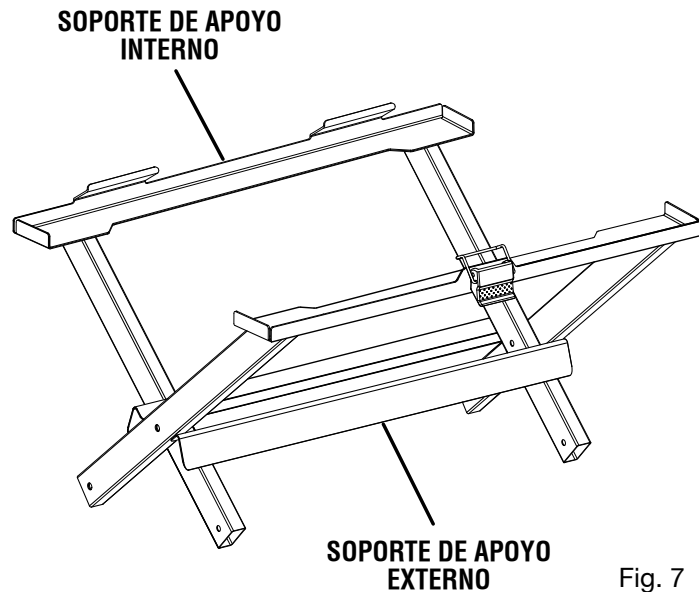
ARMADO

ARMADO DE PEDESTAL

Veá las figuras 7 a 10.

NOTA: No use este pedestal de patas con otros equipos ni para otros propósitos.

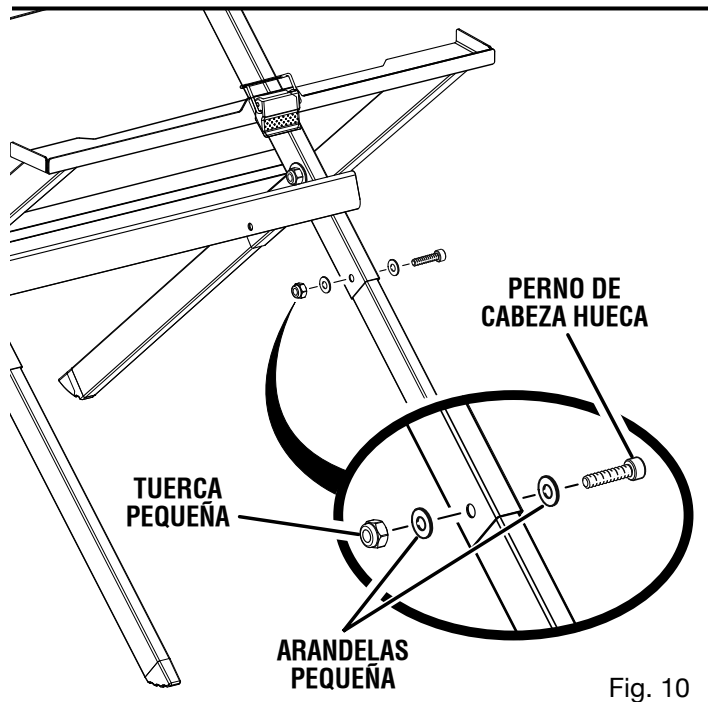
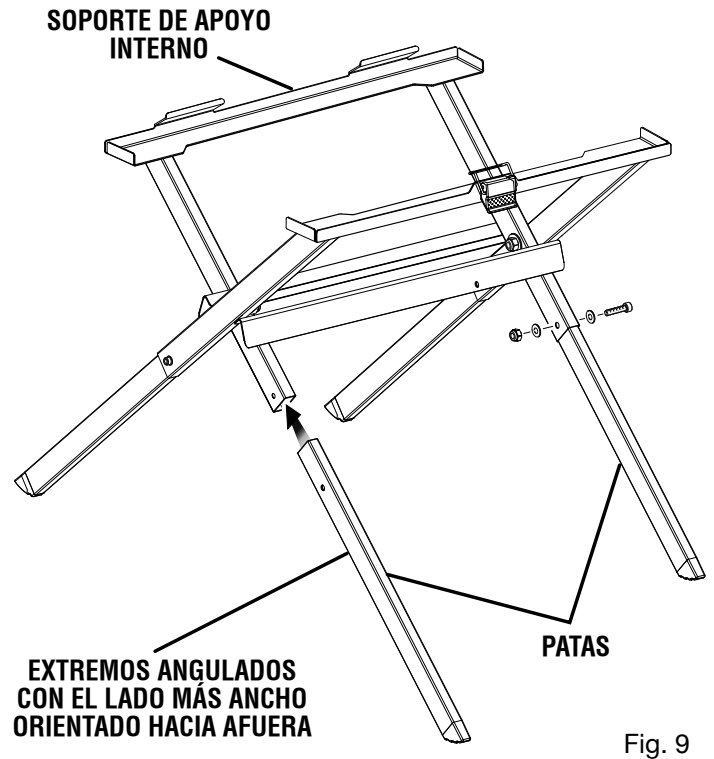
- Coloque los soportes de apoyo interno y externo como se muestra a continuación de modo que formen una "X". Alinee los orificios para las piezas de ferretería.
- Inserte un perno de cabeza hexagonal en una arandela grande, luego por el soporte de apoyo externo, luego coloque una segunda arandela grande, luego haga pasar el perno por el soporte de apoyo interno y finalmente coloque una tercera arandela grande. Instale una tuerca grande y ajústela con firmeza, pero **no lo haga en exceso**. Repita el proceso de alineación.
- Deslice las patas del pedestal en los soportes de apoyo. Alinee los orificios para las piezas de ferretería.



NOTA: El lado más largo de las patas del pedestal debe mirar hacia fuera.

- Usando los pernos de cabeza hueca, las arandelas pequeñas y las tuercas pequeñas, asegure las patas del pedestal a los soportes de apoyo como se muestra en la imagen. Ajuste con firmeza.

NOTA: Una vez que las patas estén instaladas, intente plegar el pedestal. Si el pedestal no se pliega, ajuste (afloje) la tensión de las tuercas que aseguran los soportes de apoyo según sea necesario hasta que el pedestal pueda plegarse con facilidad.



ARMADO

MONTAJE DEL PEDESTAL CON PATAS EN LA BASE DE LA SIERRA DE MESA

Vea las figuras 11 y 12.

ADVERTENCIA:

No levante la sierra sin tener ayuda. De la sierra pesa aproximadamente 55 libras. Manténgala cerca de su cuerpo. Mantenga sus rodillas dobladas y levante con sus piernas, no con su espalda. El incumplimiento de estas advertencias puede resultar en una lesión a la espalda.

- Con la unidad en posición ascendente, coloque las patas sobre el pedestal. Ubique el pedestal sobre un terreno nivelado.

NOTA: Cuando se coloca el pedestal, asegúrese de que los pies se mueva completamente hacia el exterior para asegurar la estabilidad del pedestal.

- Sostenga la sierra de mesa ligeramente inclinada y coloque la parte posterior de la sierra sobre el pedestal.

NOTA: Las lengüetas levantadas del pedestal deben ir sobre el marco de la sierra y entre las patas de esta. Las patas de la sierra deben ir dentro de las esquinas del pedestal.

- Una vez que la parte trasera de la sierra esté en su lugar, baje la parte delantera de la sierra y coloque las patas en las esquinas del pedestal.

NOTA: Asegúrese de que los pies de la sierra de mesa queden alineados contra el pedestal y de que todas las patas del pedestal toquen el suelo.

- Deslice la sierra hacia delante ligeramente y asegúrela con el pestillo de la parte frontal del pedestal.

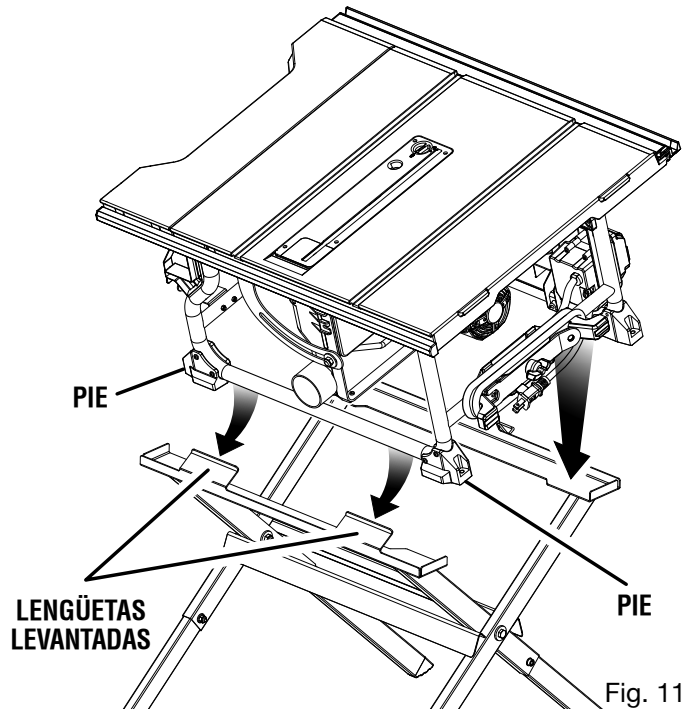


Fig. 11

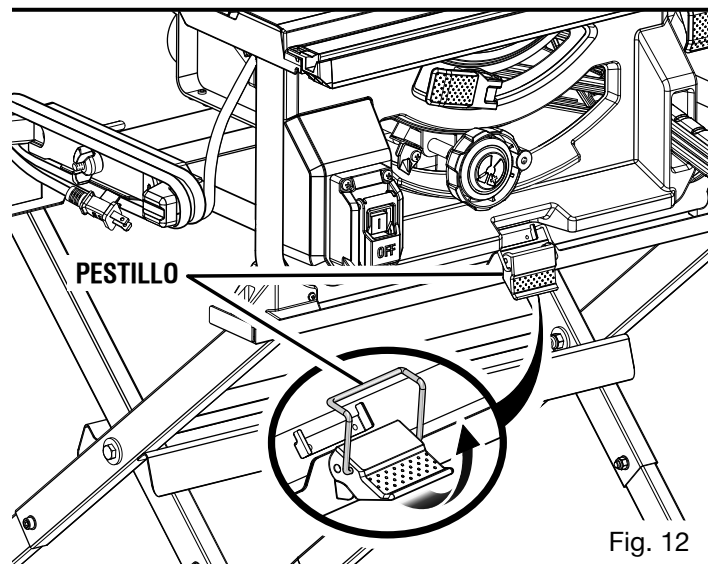


Fig. 12

ARMADO

PARA RETIRAR/INSTALAR/ALINEAR LA PLACA DE LA GARGANTA

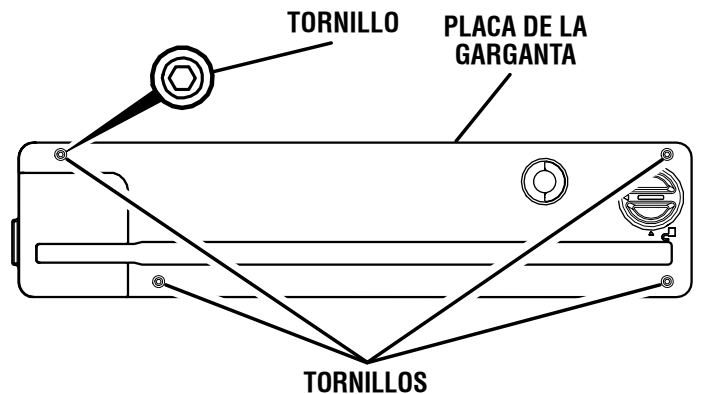
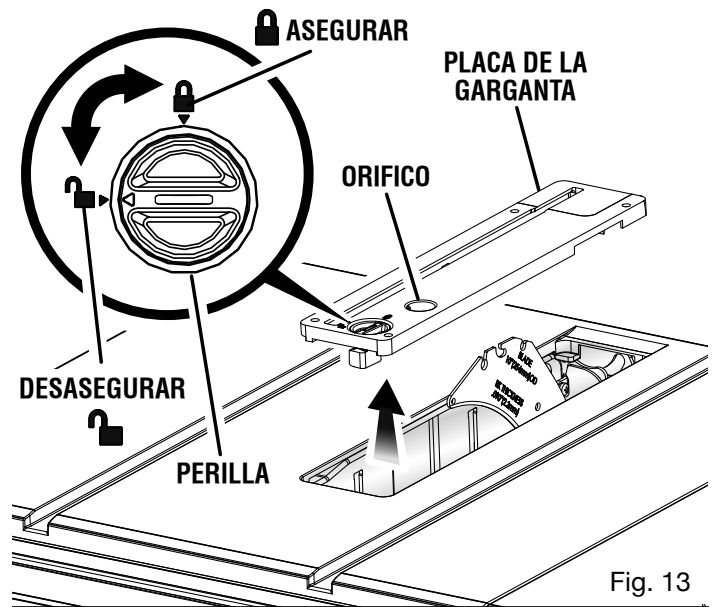
Vea las figuras 13 y 14.

⚠ ADVERTENCIA:

Si la placa de la garganta está demasiado alta o demasiado baja, es posible que la pieza de trabajo se enganche en los bordes desiguales, lo que puede resultar en atascos o contragolpes que podrían provocar lesiones personales graves. Verifique que la placa de la garganta esté colocada correctamente. Antes de encender la sierra, realice una operación de corte en seco para asegurarse de que no haya problemas cuando realice el corte. Si la pieza de trabajo se engancha, no intente utilizar la sierra. Póngase en contacto con el servicio de atención al cliente para obtener ayuda.

- Gire a la izquierda el volante de ajuste de altura y bisel para bajar la hoja de la sierra.
- Para quitar la placa de la garganta, gire la perilla a la posición de desbloqueo. Coloque el dedo índice en el orificio, y levante y tire de la placa de la garganta hacia la parte frontal de la sierra.
- Para volver a colocar la placa de la garganta, gire la perilla a la posición de desbloqueo. Coloque la placa de la garganta nuevamente en la sierra y gire la perilla a la posición de bloqueo.

NOTA: La placa de garganta puede moverse hacia arriba y hacia abajo a través del tiempo. Si es necesario, use una llave hexagonal de 2,5 mm para ajustar los tornillos de la placa de la garganta hasta que quede nivelada con la mesa de la sierra.



ARMADO

PARA CAMBIAR POSICIÓN UN CUCHILLA SEPARADORA

Ve la figura 15.

La sierra es enviado con el cuchilla separadora colocó en la posición “abajo” para cortes no pasante y debe estar ser colocado en la posición “arriba” para todas las otras operaciones de cortes.

PRECAUCIÓN:

Tenga cuidado al meter las manos dentro de la garganta de la mesa de la sierra. El contacto con la hoja, incluso cuando esté detenida, podría causar lesiones en las manos o los brazos.

- Desconecte la sierra.

Para colocar en la posición de “arriba” para todo por cortes pasante:

- Desmontaje de la placa de la garganta.
- Eleve la hoja de la sierra, para ello, gire a la hacia la derecha el volante de ajuste de altura y bisel.
- Desbloquear la palanca de afloje tirandolo arriba.
- Alcanae el cuchilla separadora y tire hacia lado derecho del sierra para soltar de la el separador de la munis de ressorts de la abrazadera cuchilla separadora.
- Tire el cuchilla separadora hasta que los pasadores interno son enganchada et el separador esté arriba del hoja de la sierra.
- Asegurar la palanca de afloje empujando la palanca hacia abajo.

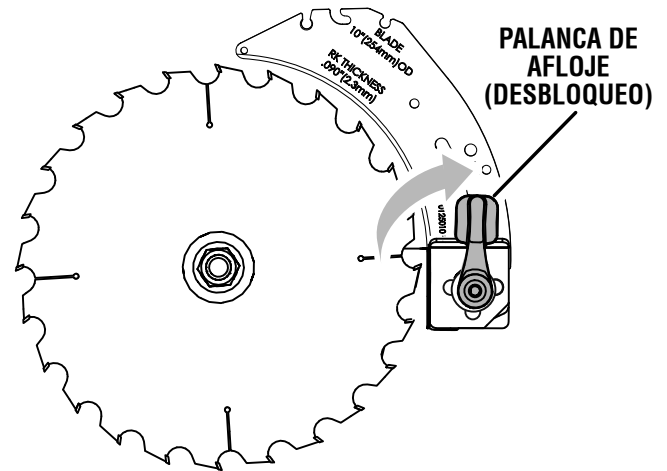
ADVERTENCIA:

Asegúrese de que la palanca de afloje esté completamente bloqueada. Si resulta difícil bloquear la palanca de liberación, limpie bien los componentes de la palanca con aire comprimido o con un trapo suave y limpio, como se describe en la sección **Cómo limpiar las placas de la palanca de bloqueo de la cuchilla separadora** en *Mantenimiento*. Si no bloquea la palanca de afloje por completo, la cuchilla separadora podría cambiar de posición durante el uso de la sierra, lo que podría, a su vez, resultar en lesiones personales graves.

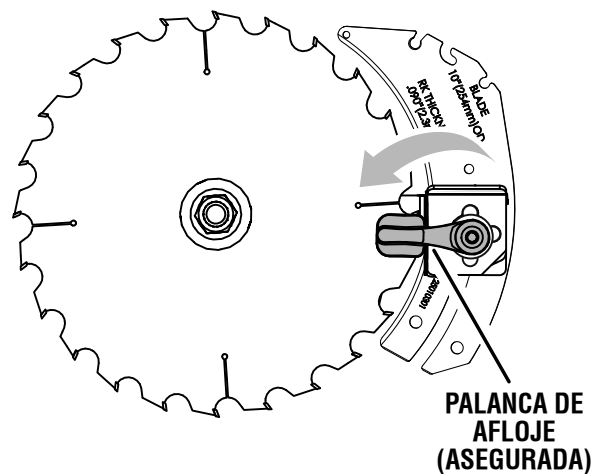
- Réinstaller de la placa de la garganta.

Para colocar en la posición de “abajo” para todo por cortes no pasante:

- Desmontaje de la placa de la garganta.
- Eleve la hoja de la sierra, para ello, gire a la hacia la derecha el volante de ajuste de altura y bisel.
- Desbloquear la palanca de afloje tirandolo arriba.



EN POSICIÓN “ARRIBA” CUCHILLA SEPARADOR PARA TODO POR PASANTE



EN POSICIÓN “ABAJO” CUCHILLA SEPARADORA PARA TODO CORTAR DE NO PASANTE

Fig. 15

- Alcanae el cuchilla separadora y tire hacia lado derecho del sierra para soltar de la el separador de la munis de ressorts de la abrazadera cuchilla separadora.
- Empuje hacia abajo el cuchillo separadora hasta que esté debajo del hoja de la sierra.
- Asegurar la palanca de afloje empujando la palanca hacia abajo.
- Réinstaller de la placa de la garganta.

ARMADO

PARA REVISAR LA INSTALACIÓN DE LA HOJA DE LA SIERRA

Vea la figura 16.

AVISO:

Para funcionar correctamente, los dientes de la hoja deben apuntar hacia la parte frontal de la sierra, hacia abajo. De lo contrario podrían causarse daños a la hoja, a la sierra o a la pieza de trabajo.

- Desconecte la sierra.
- Quite la llave de la hoja de la área de guardar desatornillando la tuerca de mariposa.
- Baje la hoja de la sierra, para ello, gire a la izquierda el volante de ajuste de altura y bisel y quite la placa de la garganta.
- Suba la hoja a su máxima altura; para ello, gire a la derecha el volante de ajuste de altura y bisel.
- Asegúrese de que la palanca de fijación de bisel esté fijamente a la izquierda.
- Colocar cuchilla separador en la posición “arriba”.

Para aflojar la hoja:

- Coloque el extremo abierto plano de la llave grande de la hoja en las partes planas del árbol.
- Coloque el extremo cerrado de la llave pequeña de la hoja en la tuerca de la hoja. Sujetando firmemente ambas llaves, tire de la llave pequeña hacia la parte delantera de la máquina.

NOTA: El árbol tiene mano de enhebra derechos.

Para apretar la hoja:

- Coloque el extremo abierto plano de la llave grande de la hoja en las partes planas del árbol.
- Coloque el extremo cerrado de la llave pequeña de la hoja en la tuerca de la hoja. Sujetando firmemente ambas llaves, empuje la llave pequeña hacia la parte posterior de la máquina.

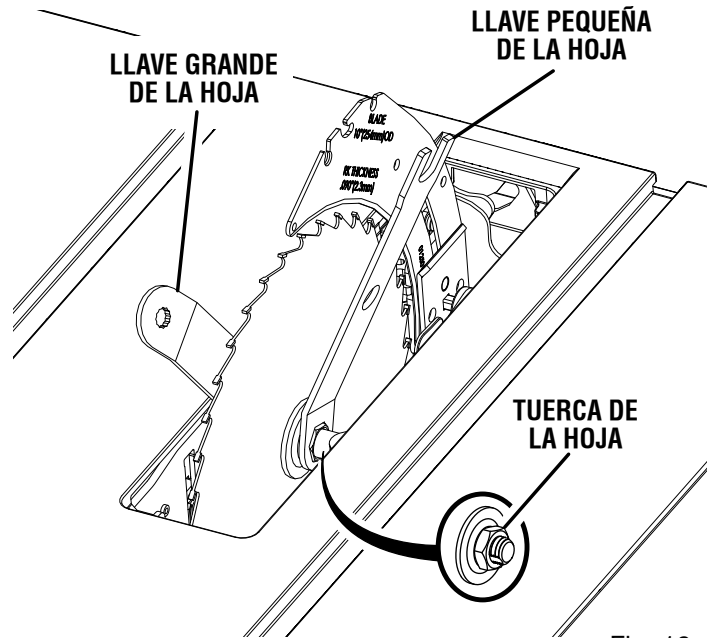


Fig. 16

Asegúrese de que la tuerca de la hoja esté firmemente apretada. No efectúe un apriete excesivo.

NOTA: El árbol tiene mano de enhebra derechos.

- Vuelva a instalar la placa de la garganta.
- Verifique la existencia de los espacios necesarios para permitir el giro libre de la hoja.

Después de la instalación, ajuste el indicador de escala de corte al hilo para adaptarlo al ancho de corte y el grosor de la hoja. Consulte el apartado **Para ajustar a la hoja el indicador de la escala de la guía de corte al hilo** en la sección *Funcionamiento* de este manual. En las operaciones de corte la escala se ajusta con respecto al lado de la hoja donde se medirá y efectuará el corte.

ARMADO

PARA INSTALAR EL TRANQUETES ANTI-CONTRAGOLPE Y PROTECCIÓN DE LA HOJA

Vea las figuras 17 a 19.

⚠ ADVERTENCIA:

Instale siempre la protección de la hoja y las garras que no permiten el retroceso en la cuchilla separadora en la posición “ascendente” para suministrar una cobertura de hoja adecuada. Instalar los componentes protectores en la cuchilla separadora en otra posición evitará que funcione tal como fue diseñada, lo que podría incrementar el riesgo de lesiones personales graves.

⚠ ADVERTENCIA:

Reemplace trinquetes lánguidos o dañado trinquetes anticongolpe. Embote o dañó trinquetes no pueden parar una contragolpe que aumenta el riesgo de lesiones corporales serias.

NOTA: Los trinquetes anticongolpe sólo deben ser instalados para cortes pasante.

- Desconecte la sierra.
- Eleve la hoja de la sierra, para ello, gire a la derecha el volante de ajuste de altura y bisel.
- Colocar cuchilla separador en la posición “arriba”.
- Vuelva a instalar la placa de la garganta.

Para instalar el tranquetes anticongolpe:

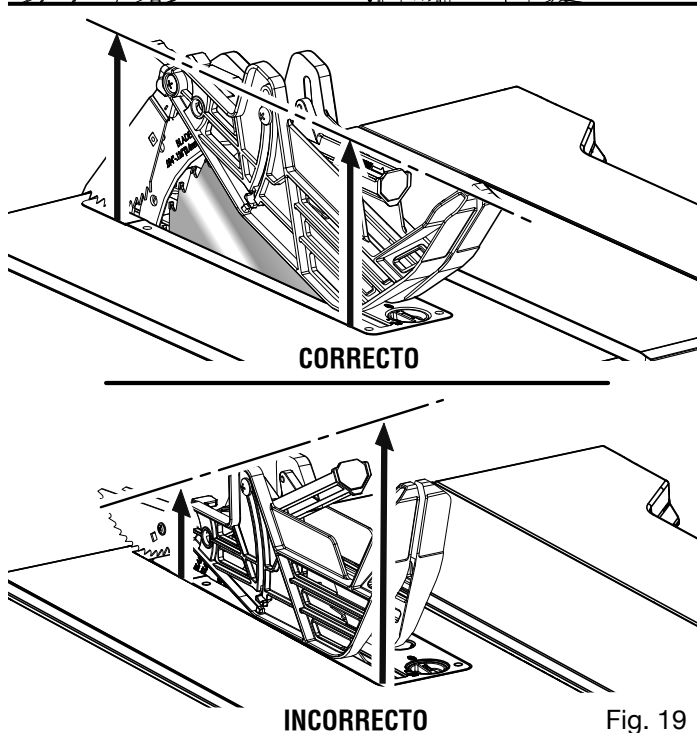
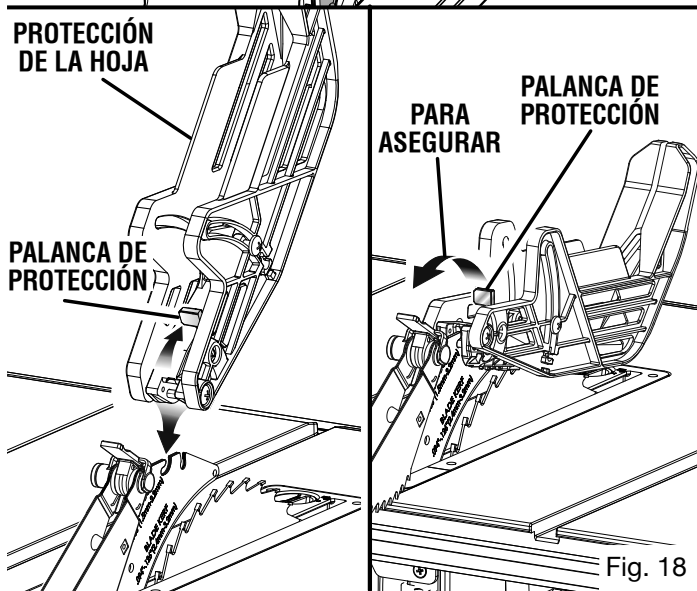
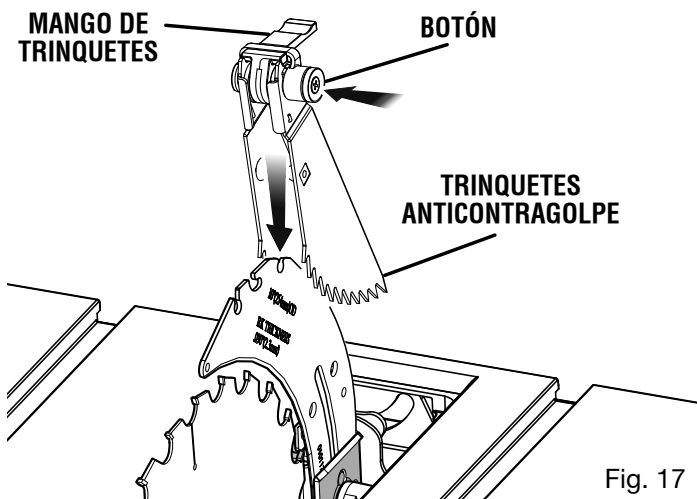
- Presione y sostenga el botón en el lado derecho de los trinquetes anticongolpe.
- Alinee la ranura en los trinquetes sobre el último muesca en el cuchilla separadora.
- Apriete los mango de trinquetes los chasquearlos colocar en lugar y botón de afloje.

NOTA: Tire del mango para asegurarse trinquetes son cerrados firmemente.

Para instalar el protección de la hoja:

- Levante la palanca de protección hasta para desbloquear.
- Con la frente del protección de la hoja levantó y la palanca de protección desbloqueado, baja la espalda del protección en el muesca mediano del cuchilla separadora. Presione la parte delantera del protector hacia abajo hasta que la barra que está dentro del protector quede en posición **paralela a la mesa** (consulte la figura 19). Si la barra no está en posición paralela a la mesa, la cuchilla separadora no está en la posición “hacia arriba”.
- Cierre al protección en el lugar empujando la palanca de protección.
- Las barreras laterales de protección de la hoja pueden plegarse hacia atrás sin quitarla para realizar mediciones con mayor facilidad.

NOTA: La alineación de la hoja de corte se puede ajustar para hojas de diferentes espesores. Consulte el apartado **Para revisar o alinear cuchilla separadora y la hoja**. Verifique los espacios libres y la libertad de movimiento del conjunto de protección de la hoja.



ARMADO

PARA REVISAR Y ALINEAR CUCHILLA SEPARADORA Y LA HOJA

Veá las figuras 20 y 21.

Para verificar la alineación del cuchilla separadora:

- Unplug the saw.
- Eleve la hoja de la sierra; para ello, gire a la derecha el volante de ajuste de altura y bisel.
- Ajuste el ángulo de bisel a 0° y bloquee la palanca de bloqueo de bisel.
- Levante los trinquetes anticontraGolpe y conjunto de protección de la hoja.
- Para verificar la alineación horizontal, coloque una escuadra de entramado o un borde recto contra el cuerpo de la hoja de sierra y la cuchilla separadora. La escuadra de entramado debe hacer contacto tanto con el cuerpo de la hoja como con la cuchilla separadora de manera uniforme, sin espacios. Verifique la alineación con ambos lados del cuerpo de la hoja.

NOTA: El ancho de corte o de cada diente es más ancho que el cuerpo de la hoja. Cuando la cuchilla separadora esté alineada correctamente, quedará centrada en el ancho del corte.

- Para verificar la alineación vertical, coloque una escuadra de entramado junto a la cuchilla separadora. El borde de la escuadra de entramado y la cuchilla separadora deben estar paralelos.

Si el cuchilla separadora está desalineado con respecto a la hoja, es necesario efectuar un ajuste. El cuchilla separadora debe estar frente alineado de apoyar (horizontalmente) y la cubierta para inferior (verticalmente).

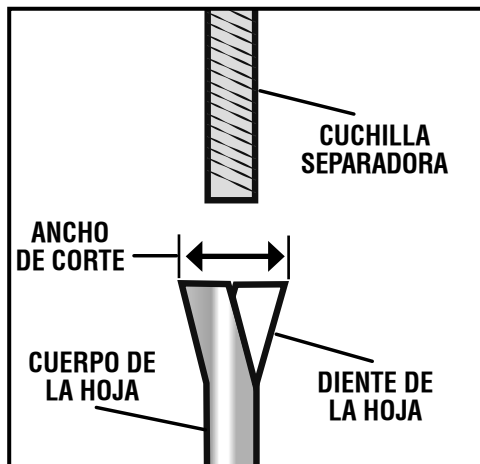
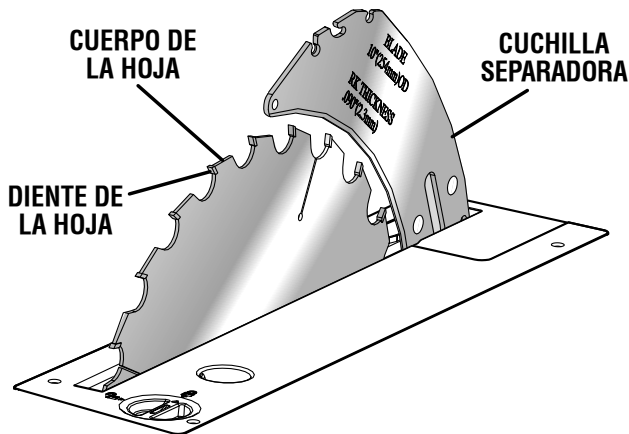


Fig. 20

Para ajustar (horizontal y verticalmente):

- Levante los trinquetes anticontraGolpe, conjunto de protección de la hoja, y placa de la garganta.
- Para realizar ajustes horizontales, use una llave hexagonal de 5 mm para aflojar los tornillos de ajuste horizontal que sujetan el soporte de montaje. Vuelva a colocar la cuchilla separadora hacia la izquierda o hacia la derecha. Ajuste los tornillos de ajuste horizontal y verifique la alineación. Repita el procedimiento según sea necesario.
- Para realizar ajustes verticales, afloje los tornillos de ajuste horizontal 1/4 de giro. Use una llave hexagonal de 2,5 mm para girar lentamente los tornillos de ajuste vertical hasta que la cuchilla separadora quede alineada con la hoja. Ajuste los tornillos de ajuste horizontal y verifique la alineación. Repita el procedimiento según sea necesario.
- Vuelva a colocar los trinquetes anticontraGolpe, el conjunto de la protección de la hoja y la placa de la garganta.

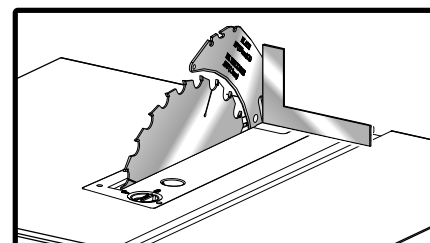
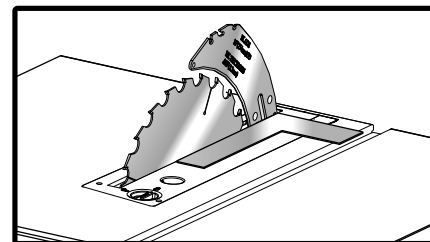
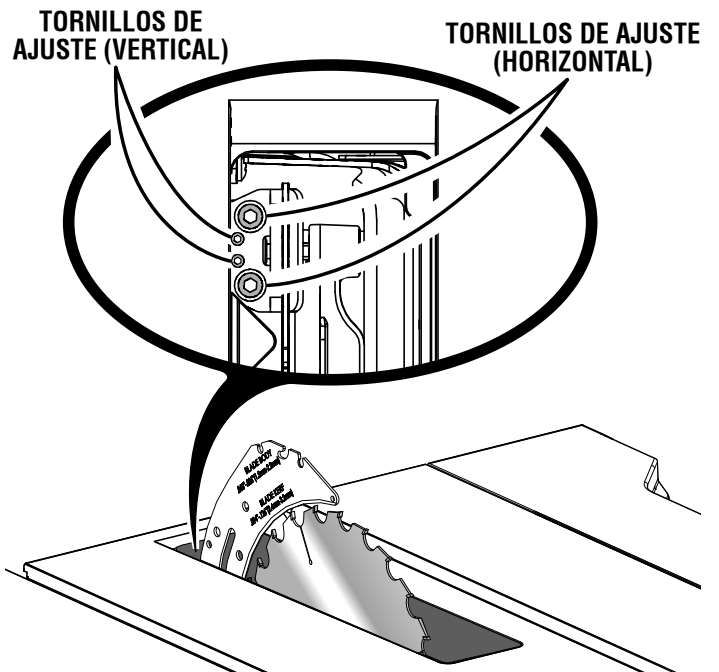


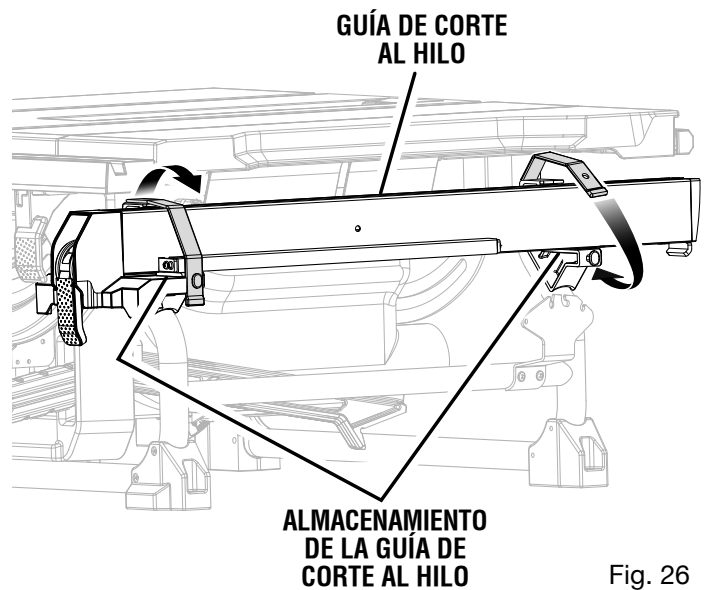
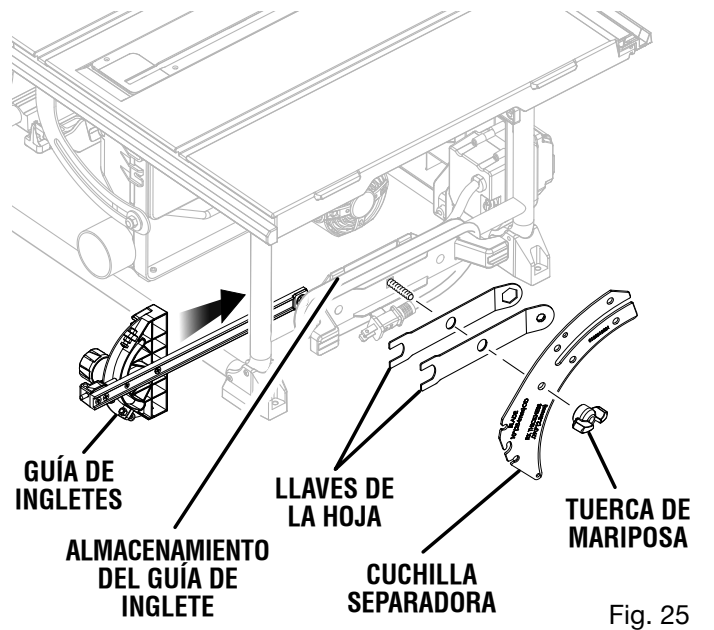
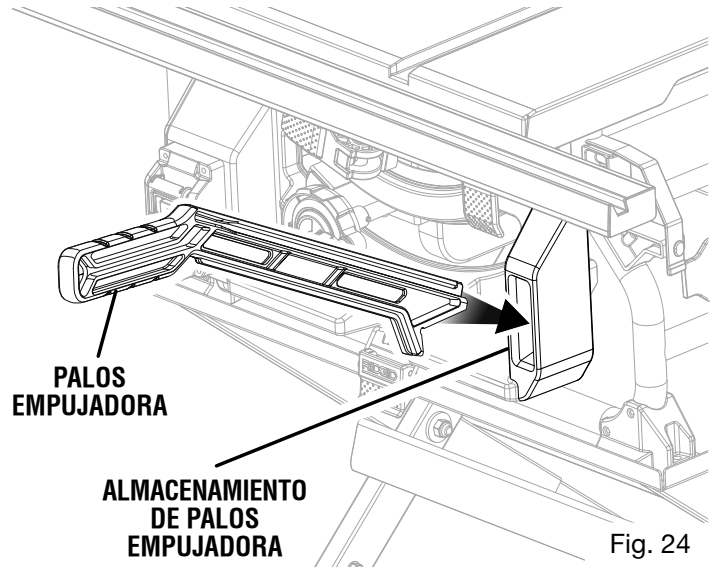
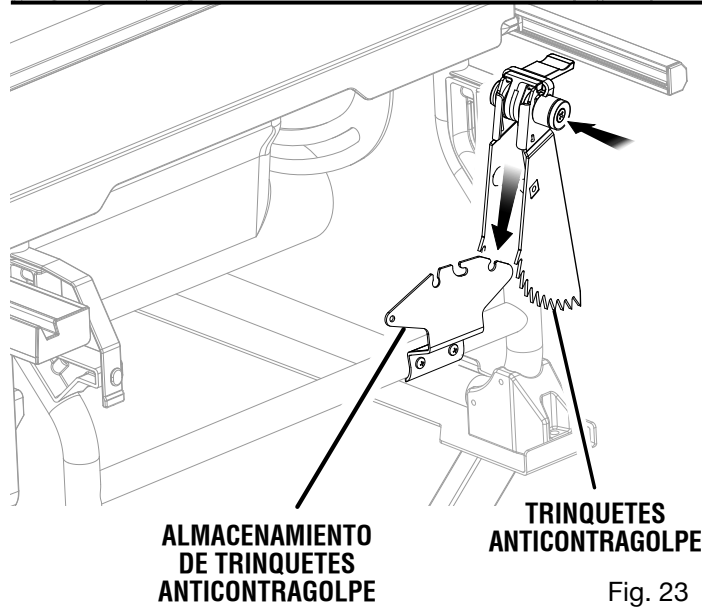
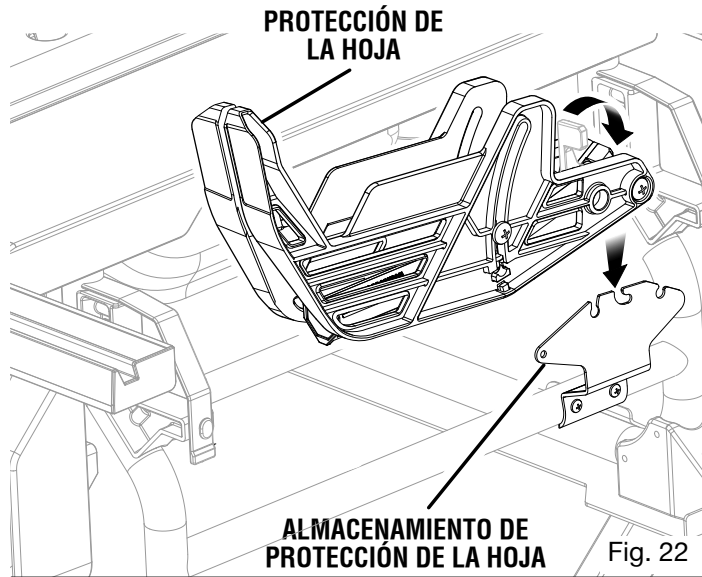
Fig. 21

ARMADO

ALMACENAMIENTO DE ACCESORIOS DE LA SIERRA DE MESA

Vea las figuras 22 - 26.

Cuando no estén en uso, la guía de corte al hilo, la cuchilla separadora, las llaves, la protección de la hoja, el medidor de inglete, los trinquetes anticontragolpe y el palo empujador pueden guardarse debajo de la mesa de la sierra.



FUNCIONAMIENTO

ADVERTENCIA:

No permita que su familiarización con las herramientas lo vuelva descuidado. Tenga presente que un descuido de un instante es suficiente para causar una lesión grave.

ADVERTENCIA:

Siempre póngase protección ocular con la marca de cumplimiento de la norma ANSI Z87.1. Si no cumple esta advertencia, los objetos que salen despedidos pueden producirle lesiones serias en los ojos.

ADVERTENCIA:

No utilice ningún aditamento o accesorio no recomendado por el fabricante de esta herramienta. El empleo de aditamentos o accesorios no recomendados podría causar lesiones serias.

ADVERTENCIA:

Aunque en muchas de las ilustraciones de este manual aparece la protección de la hoja quitada para mayor claridad, no utilice la sierra sin la misma, a menos que se indique así específicamente.

ADVERTENCIA:

La sierra de mesa debe montarse sobre una superficie de apoyo firme, como una mesa de trabajo o un pedestal con patas que permita colocar la sierra a la altura de la cintura. Muchas de las ilustraciones de este manual aparece la sierra no montado para mayor claridad, no utilice la sierra sin la misma.

APLICACIONES

Esta herramienta puede emplearse para los fines enumerados abajo:

- Operaciones de corte en línea recta como cortes transversales, cortes al hilo, cortes a inglete, cortes en bisel y cortes combinados
- Cortes de ranurado o moldeados con accesorios opcionales
- Ebanistería y carpintería

NOTA: Esta sierra de mesa está diseñada para cortar madera y productos de composición de la misma solamente.

FUNCIONAMIENTO BÁSICO DE LA SIERRA DE MESA

Para reducir el riesgo de descarga eléctrica, esta herramienta tiene un enchufe polarizado (una clavija es más ancha que la otra). Este enchufe encajará en un tomacorriente polarizado de una sola manera. Si el enchufe no encaja completamente en el tomacorriente, invierta el enchufe. Si aún no encaja, comuníquese con un electricista cualificado para instalar el tomacorriente adecuado. No cambie el enchufe de ninguna manera. Consulte el apartado *Aspectos eléctricos* de este manual.

CAUSAS DE LOS CONTRAGOLPES

El contragolpe puede ocurrir cuando la hoja se atasca o dobla, lanzando la pieza de trabajo hacia atrás, hacia usted, con gran fuerza y velocidad. Si tiene las manos cerca de la hoja de la sierra, pueden soltarse de la pieza de trabajo y tocar la hoja. Obviamente, el contragolpe puede causar lesiones graves y vale la pena tener precauciones para evitar riesgos.

Cualquier acción que pellizque la hoja en la madera puede causar un contragolpe, como las siguientes:

- Hacer un corte con una profundidad incorrecta de la hoja
- Cortar nudos o clavos presentes en la pieza de trabajo
- Girar la madera al efectuar un corte
- No sujetar la pieza de trabajo
- Efectuar cortes forzados
- Cortar madera combada o húmeda
- Utilizar una hoja equivocada para el tipo de corte deseado
- No seguir los procedimientos correctos de trabajo
- Hacer mal uso de la sierra
- No utilizar los trinquetes contragolpe
- Cortar con una hoja desafilada, cubierta de goma o mal triscada

FORMA DE EVITAR CONTRAGOLPES

- Siempre utilice el ajuste correcto de profundidad de la hoja. La parte superior de los dientes de la hoja debe sobresalir de la pieza de trabajo de 3,2 a 6,4 mm (de 1/8 a 1/4 pulg.).
- Inspeccione la pieza de trabajo para ver si contiene nudos o clavos antes de empezar a cortar. Desaloje todo nudo suelto con un martillo. Nunca corte nudos sueltos ni clavos.
- Siempre utilice la guía de corte al hilo para efectuar cortes de este tipo. Siempre utilice la guía de ingletes para efectuar cortes transversales. Esto ayuda a evitar el giro de la madera durante el corte.
- Siempre utilice hojas limpias, afiladas y triscadas correctamente. Nunca efectúe cortes con hojas sin filo.
- Para evitar pellizcar la hoja, apoye adecuadamente la pieza de trabajo antes de iniciar un corte.
- Aplique una presión estable y uniforme al efectuar el corte. Nunca efectúe cortes forzados. No suelte la pieza de trabajo hasta que termine de pasarla por la hoja.
- No corte madera combada o húmeda. La pieza de trabajo debe tener un borde recto para que pueda guiarla a lo largo de la guía de corte al hilo.
- Utilice precaución adicional al cortar algún prefinished o productos de madera de composición como los trinquetes anticontragolpe confidencial no siempre pueden ser efectivos.
- Siempre indique la pieza de trabajo con ambas manos o con palos empujadoras y/o bloques empujadores. Mantenga el cuerpo en una posición equilibrada para estar preparado para resistir un contragolpe si llega a ocurrir. Nunca se pare en línea frente a la hoja.
- El uso de un peine de sujeción ayudará a asidero el pieza de trabajo firmemente contra la mesa de sierra o guía.
- Limpie el sierra, protección de la hoja, bajo el placa de la garanta, y bajo cualquier área donde sierra o pieza de trabajo o aserrín puede reunir

FUNCIONAMIENTO

- Mantenga la protección de la hoja, la cuchilla separadora y los trinquetes anticontraGolpe en su lugar y en un estado de funcionamiento apropiado. La cuchilla separadora debe estar alineada con la hoja y los trinquetes anticontraGolpe deben detener un contraGolpe una vez que se haya iniciado. Verifique su funcionamiento antes de realizar un corte al hilo.
- Mantenga la guía de corte al hilo en posición paralela a la hoja de sierra.
- Al realizar un corte al hilo, aplique la fuerza de alimentación a la sección de la pieza de trabajo entre la hoja y la guía de corte al hilo. Use un palo empujador o empujador cuando resulte apropiado.
- Utilice el tipo correcto de hoja para el corte por efectuar.
- Siempre utilice el cuchilla separadora para cada operación donde lo es permitido. El uso de este dispositivo reducirá mucho el riesgo de contraGolpes.

AYUDAS PARA CORTAR

Vea la figura 27 y 28.

Las estacas empujadoras son dispositivos empleados para empujar la pieza de trabajo por la hoja en cualquier corte al hilo. Al hacer cortes de no pasante o longitudinal estrechos, siempre utilice un palo empujador, bloque empujador y/o peine de sujeción tan sus manos no vienen dentro de 76,2 mm (3 pulg.) de la hoja de sierra. Se pueden hacer a partir de madera de desperdicio, en varios tamaños y formas para utilizarse en proyectos específicos. El palo empujador debe ser más angosto que la pieza de trabajo, con una muesca a 90° en un extremo y la forma para sujetarlo con la mano en el otro extremo.

Una palo empujador instalado un mango fijado con tornillos empotrados por el lado inferior o pegado con pegamento para madera. Se utiliza en cortes sin traspaso del espesor de la pieza de trabajo. Puede ser necesaria una plantilla de corte o un elemento de ayuda de corte similar para garantizar que el bloque empujador no interfiera con el corte.

PRECAUCIÓN:

Asegúrese de que los tornillos de la plancha empujadora estén en hueco para evitar dañar la sierra o la pieza de trabajo.

Puede comprar bloques y palos empujadores como los que se muestran en la figura 27 en su tienda local. Tenga en cuenta que la sierra incluye un palo empujador. Para fabricar elementos adicionales de ayuda de corte, siga las siguientes instrucciones.

Para fabricar un palo empujador:

El material, la forma y el tamaño del palo empujador pueden variar. Para este proyecto, use un pedazo de madera maciza de 457,20 mm (18 pulg.) de largo, 38,10 mm (1-1/2 pulg.) de ancho y 19,05 mm (3/4 pulg.) de espesor.

- Si lo desea, corte una curva en un extremo de la pieza de trabajo que sirva de agarre.
- Corte una muesca en el extremo opuesto de la pieza de trabajo. Durante el uso, este extremo hará contacto con el borde del material que desea cortar.

Para fabricar un bloque empujador:

El material, la forma y el tamaño del bloque empujador pueden variar. Para este proyecto, use dos piezas de madera maciza para hacer la base y el mango. La base tiene 127,00 mm (5 pulg.) de largo, 76,20 mm (3 pulg. de ancho) y 9,53 mm (3/8 pulg.) de espesor. El mango debe tener 127,00 mm (5 pulg.) de largo, 25,40 mm (1 pulg. de ancho) y 19,05 mm (3/4 pulg.) de espesor.

- Marque el centro de la base.
- Fije el mango al centro de la base con tornillos empotrados o pegamento para madera.

NOTA: Para evitar que el bloque empujador se deslice sobre la pieza de trabajo, puede colocar un pedazo de papel de lija o una almohadilla de goma antideslizante en la parte inferior de la base.

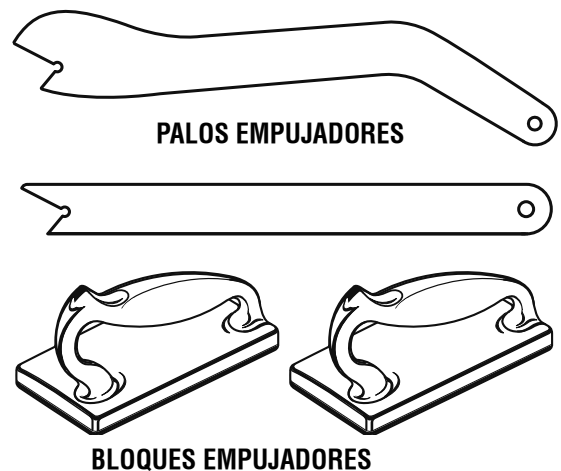


Fig. 27

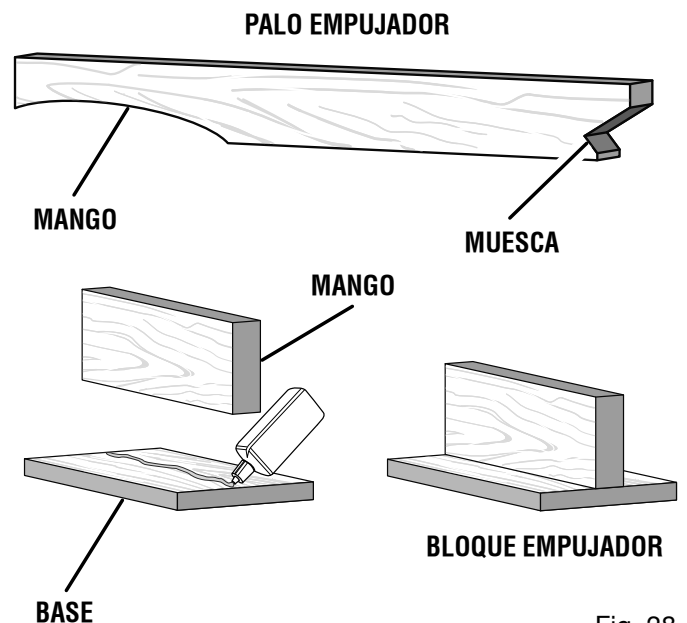


Fig. 28

FUNCIONAMIENTO

SOPORTES DE LA PIEZA DE TRABAJO

Vea la figura 29.

Cuando corte con la sierra de mesa, asegúrese de que la pieza de trabajo esté bien sujeta. El soporte adecuado de la pieza de trabajo durante el proceso de corte no solo mejora la precisión del corte, sino que también permite que este proceso sea más seguro para el usuario. Este soporte podría ser necesario en el lado de alimentación, en los laterales o en el lado de salida de la mesa. El soporte inadecuado de la pieza de trabajo puede hacer que la pieza se mueva de manera inesperada durante el proceso de corte y sorprender al usuario de la sierra. También puede hacer que el usuario aplique fuerza anormal en la pieza de trabajo para controlarla durante el proceso de corte. Este movimiento de inclinación de la pieza de trabajo ocurrirá si sobresale aproximadamente la mitad de la pieza de trabajo de alguno de los bordes de la mesa de la sierra.

Es fácil lograr el soporte adecuado. Hay pedestales de soporte disponibles en el mercado; también puede usar cualquier superficie que tenga la misma altura que la superficie de trabajo de la sierra. Si realiza una operación de prueba antes de hacer el corte que desea, sabrá si resultan necesarios soportes para completar el corte con la sierra de manera segura.



Fig. 29

GUÍA AUXILIAR

Una guía auxiliar es un dispositivo que es utilizado para cerrar la guía de corte al hilo y la mesa de sierra. Siempre marca y utiliza y guía auxiliar al rasgar materia 1/8 pulg. o más delgado.

FORMA DE ELABORAR Y CONECTAR UNA GUÍA AUXILIAR (PARA EL CORTE AL HILO PIEZA DE TRABAJO AFINE)

Vea la figura 30.

Puede fabricar una guía auxiliar para la sierra cortando un trozo de madera de 787,40 mm (31 pulg.) de largo, al menos 19,05 mm (3/4 de pulg.) de espesor y al menos 88,90 mm (3-1/2 pulg.) de altura.

NOTA: La altura y el grosor de la guía auxiliar se pueden aumentar según el tamaño y el tipo de pieza de trabajo que desee cortar. Use guías auxiliares más altas cuando corte piezas de trabajo más altas que la altura de la guía de corte al hilo.

Para conectar la guía auxiliar a la guía de corte al hilo:

- Gire la guía baja para que quede orientada hacia fuera con respecto a la guía auxiliar; consulte **Para usar la guía de corte al hilo** más adelante en esta sección.
- Coloque la madera contra la guía de corte al hilo y apoyada firmemente sobre la mesa de la sierra.
- Desde la parte posterior de la guía de corte al hilo, fije la madera a la guía con tornillos para madera.

NOTA: Asegúrese de que los tornillos que utilice para fijar la guía auxiliar no atraviesen la cara frontal de la guía.

CÓMO HACER UNA VAIVÉN (PARA EL CORTE AL HILO PIEZA DE TRABAJO)

Vea la figura 31.

Si longitudinal estreche acciones coloca las manos cierran también a la hoja, será necesario para hacer y utilizar una vaivén.

Para efectuara una vaivén:

- Conecte un mango a un pedazo largo y recto de madera y asegure de la cara inferior que utiliza tornillos empotrados.
- Corte una parada en forma de L en el lado de la vaivén.

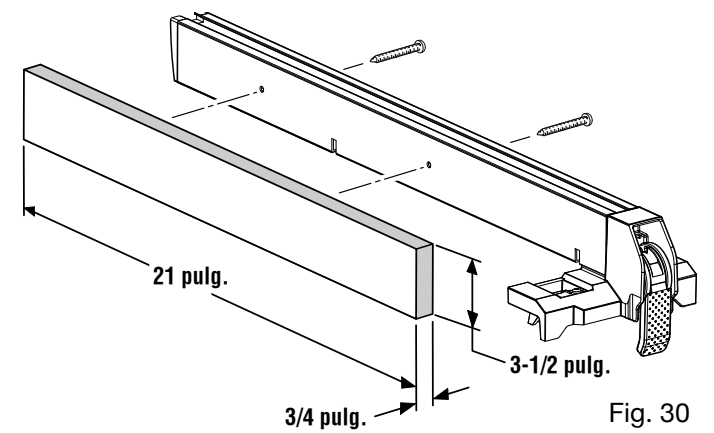


Fig. 30

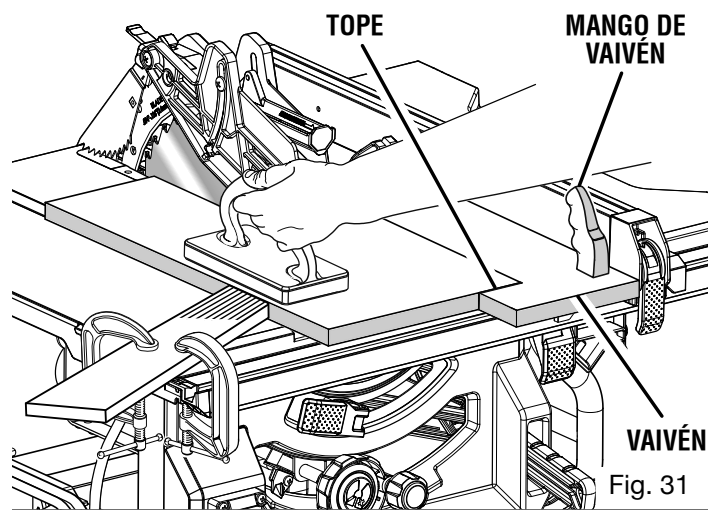


Fig. 31

FUNCIONAMIENTO

Para utilizar vaivén:

- Posicione el pieza de trabajo plano sobre la mesa con el rubor de orilla contra la vaivén y contra la tope.
- Tener el mango de vaivén y utilizar un palos empujadora y/o bloque empujador, consulte **Cómo efectuar cortes al hilo** más adelante en esta sección.

PEINES DE SUJECIÓN

El peine de sujeción es un dispositivo que se utiliza para ayudar a controlar la pieza de trabajo sujetándola con seguridad contra la mesa o guía. Los peines de sujeción son especialmente útiles cuando se cortan al hilo piezas de trabajo pequeñas o para terminar cortes sin traspaso del espesor de la pieza de trabajo. El extremo es angulado con un cierto número de cortes cortos para aplicar fuerza de sujeción por fricción a la pieza de trabajo, y se asegura en su lugar sobre la mesa mediante una prensa de mano. Verifique que pueda resistir un contragolpe.

⚠ ADVERTENCIA:

Coloque el peine de sujeción contra la porción sin cortar de la pieza de trabajo, para evitar un contragolpe que podría causar lesiones corporales graves.

Se pueden comprar peines de sujeción en el mercado por un precio razonable. Muchos de estos peines de sujeción se montan en las ranuras de inglete de la sierra y son fáciles de montar y usar en su sierra de mesa. Para hacer un peine de sujeción, siga las instrucciones en la siguiente sección.

FORMA DE ELABORAR UN PEINE DE SUJECIÓN

Ve la figura 32.

El peine de sujeción es un proyecto excelente para utilizar la sierra. Seleccione una pieza de madera sólida de 19 mm (3/4 pulg.) de grueso, 63,5 mm (2-1/2 pulg.) de ancho y 304,8 mm (12 pulg.) largo aproximadamente. Marque el centro del ancho en un extremo de la tabla. Corte a inglete de 70° una mitad del ancho (vea la página 37, donde encontrará información sobre los cortes a inglete).

Prepare la sierra para cortar al hilo como se explicó en la page 35. Coloque la guía de corte al hilo para permitir cortar un "diente" de 6,4 mm (1/4 pulg.) en la tabla. Avance la tabla lentamente hasta la marca hecha previamente a 101,6 mm (4 pulg.). **APAGUE** la sierra

y permita que la hoja deje de girar completamente antes de retirar la tabla. Reajuste la guía de corte al hilo y haga cortes espaciados en la pieza de trabajo para dejar dedos de 6,4 mm (1/4 pulg.) y 3,2 mm (1/8 pulg.) de espacio entre los dedos aproximadamente.

FORMA DE MONTAR UN PEINE DE SUJECIÓN

Ve la figura 33.

Baje completamente la hoja de la sierra. Coloque la guía de corte al hilo a la distancia que requiera el corte deseado y asegúrela. Coloque la pieza de trabajo contra la guía, en el área de la hoja de corte. Ajuste el peine de sujeción para aplicar resistencia a la pieza de trabajo justo hacia adelante de la hoja. Coloque una prensa de mano para fijar los peine de sujeción al borde de la mesa de la sierra.

⚠ ADVERTENCIA:

El peine de sujeción debe ser instalado delante de la hoja. **No** coloque el peine de sujeción en la parte posterior de la hoja. Si se coloca inadecuadamente, puede producirse un contragolpe al apretar el peine de sujeción la pieza de trabajo y doblar la hoja en el corte efectuado por la sierra. La inobservancia de esta advertencia puede causar lesiones corporales serias.

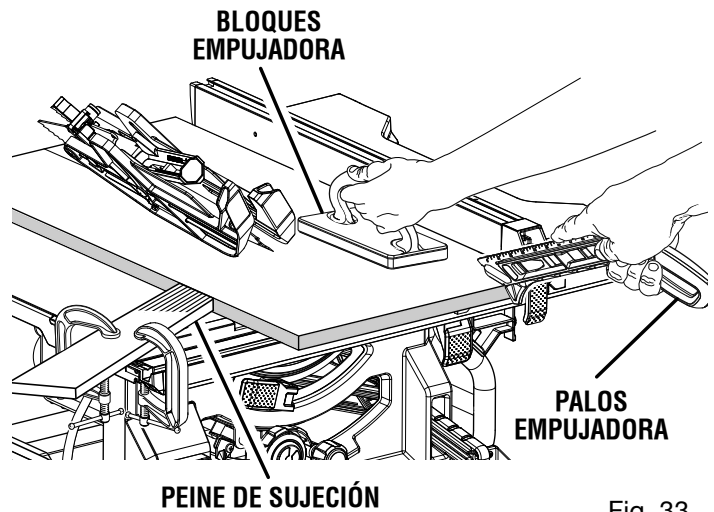


Fig. 33

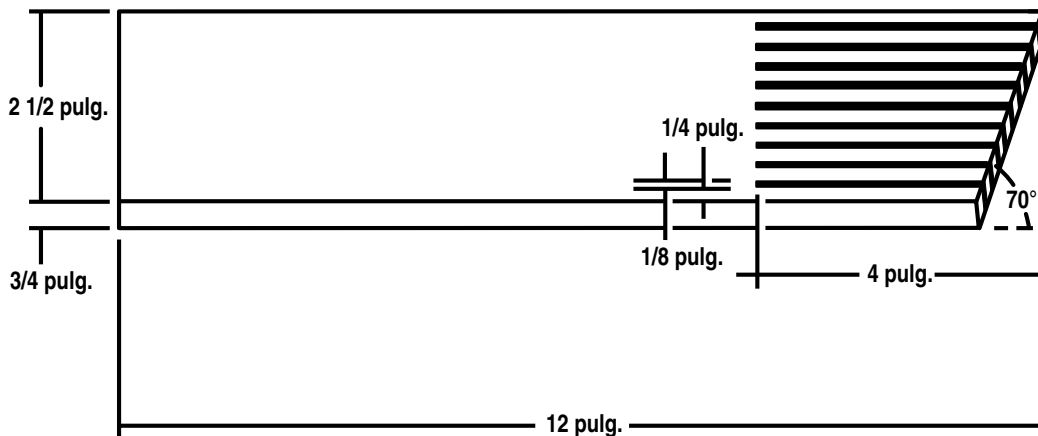


Fig. 32

FUNCIONAMIENTO

TIPOS DE CORTES

Vea la figura 34.

Hay seis cortes básicos: 1) el corte transversal, 2) el corte al hilo, 3) el corte a inglete, 4) el corte transversal en bisel, 5) el corte al hilo en bisel y 6) el corte a inglete combinado (en bisel). Todos los otros cortes son combinaciones de estos seis básicos. Los procedimientos de trabajo para hacer cada tipo de corte se dan más adelante en esta sección.

⚠ ADVERTENCIA:

Al efectuar estos cortes, siempre asegúrese de que la protección de la hoja y los trinquetes anticontrgolpe estén en su lugar y de que funcionan adecuadamente, para evitar posibles lesiones.

Los cortes transversales son cortes rectos a 90° hechos transversalmente a la fibra de la pieza de trabajo. La madera se avanza al corte a un ángulo de 90° de la hoja, y ésta está vertical.

Los cortes al hilo se efectúan en dirección paralela a la fibra de la madera. Para evitar un contragolpe al efectuar un corte al hilo, asegúrese de que uno de los lados de la madera se desplace firmemente contra la guía de corte al hilo.

Los cortes a inglete se hacen con la madera a cualquier ángulo de la hoja diferente de 90°. La hoja está vertical. Los cortes a inglete tienden a “correrse” durante el corte. Esto se puede controlar sosteniendo firmemente la pieza de trabajo contra la guía de ingletes.

⚠ ADVERTENCIA:

Siempre utilice un palo empujador con piezas pequeñas de madera, y también para terminar un corte al hilo cuando se haga en una tabla larga y angosta, para prevenir que las manos se acerquen a la hoja.

Los cortes en bisel se hacen con la hoja en ángulo. Los cortes transversales en bisel son a través de la fibra de la madera, y los cortes al hilo en bisel son paralelos a la fibra. Para cortes al hilo en bisel, la guía de corte al hilo siempre debe estar al lado derecho de la hoja.

Los cortes a inglete combinados (con bisel) se hacen con la hoja en ángulo, en una tabla en ángulo con la hoja. Familiarícese totalmente con los cortes transversales, al hilo, en bisel y a inglete antes de intentar efectuar cortes a inglete combinados.

SUGERENCIAS PARA CORTAR

Los cortes de ranurado y rebajado son cortes sin traspaso del espesor de la tabla, y pueden ser cortes al hilo o transversales. Lea cuidadosamente y comprenda todas las secciones de este manual del operador antes de intentar cualquier operación.

⚠ ADVERTENCIA:

No utilice hojas con una velocidad nominal inferior a la de esta herramienta. La inobservancia de esta advertencia podría causar lesiones corporales.

- El corte hecho por la hoja en la madera es más ancho que la hoja para evitar que la hoja se sobrecaliente o se atore. Al medir la madera considere la parte eliminada por el corte.

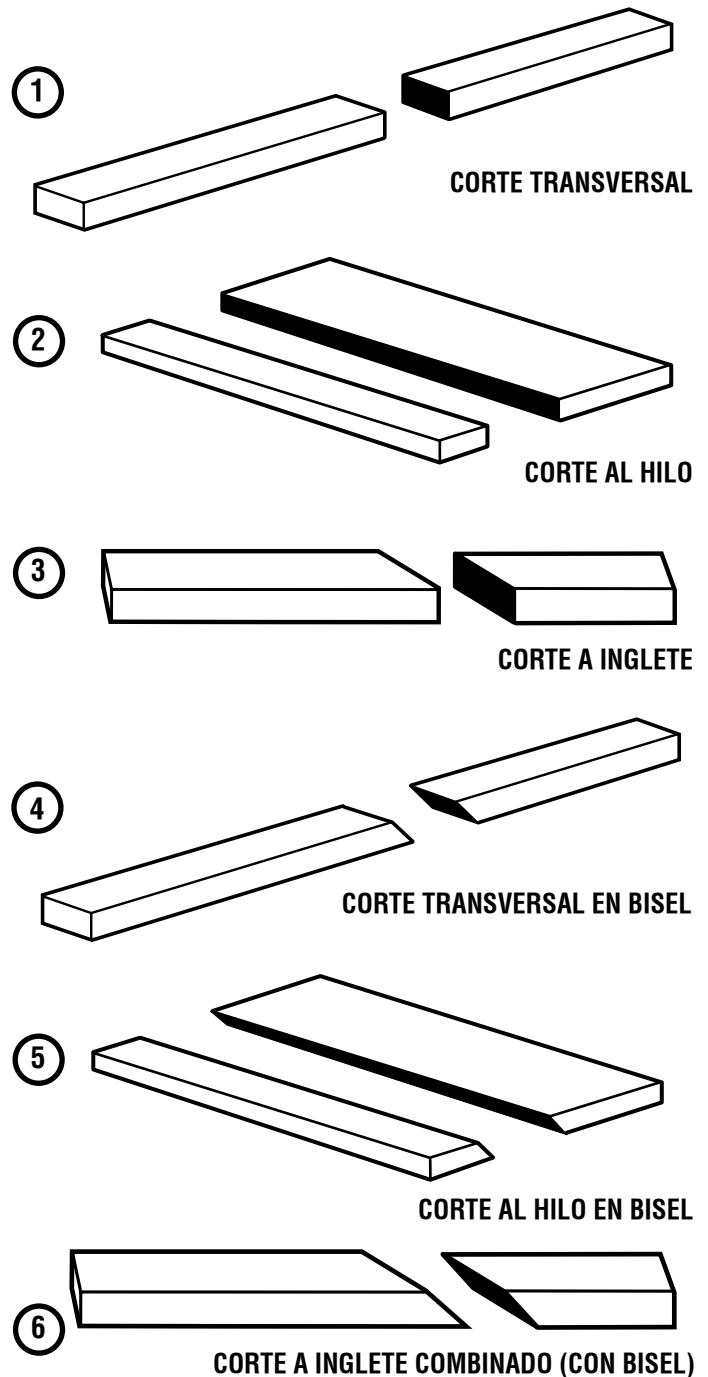


Fig. 34

- Asegúrese de que el corte se efectúe en el lado del desperdicio de la línea de medición.
- Corte la madera con el lado acabado hacia arriba.
- Desaloje todo nudo suelto con un martillo antes de efectuar el corte.
- Siempre proporcione soporte adecuado para la madera conforme sale de la sierra.

FUNCIONAMIENTO

PARA CAMBIAR LA PROFUNDIDAD DE LA HOJA

Vea la figura 35 y 36.

Se debe ajustar la profundidad de la hoja de la sierra de manera que las puntas exteriores de la hoja queden más elevadas que la pieza de trabajo de 3,2 a 6,4 mm (1/8 pulg. a 1/4 pulg.) aproximadamente, pero los puntos más bajos (las gargantas) queden bajo la superficie superior.

- La hoja de corte se sube girando a la derecha el volante de ajuste de altura y bisel.
- Se baja girando éste a la izquierda.

PARA CAMBIAR EL ÁNGULO DE LA HOJA (BISEL)

Vea la figura 36.

NOTA: Un corte a 90° tiene un bisel de 0°, y un corte de 45° tiene un bisel de 45°.

- Desconecte la sierra.
- Desbloquear la palanca de fijación de bisel para ello, tire completamente a la derecha la palanca.
- Ajuste el ángulo de bisel moviendo el volante de ajuste de altura / bisel hacia la derecha para aumentar el ángulo de la cuchilla o moviéndolo hacia la izquierda para disminuir el ángulo de la cuchilla..
- Asegurar la palanca de fijación de bisel para ello, empuje completamente a la izquierda la palanca.

PARA AJUSTAR EL INDICADOR DE BISEL

Vea la figura 37.

Si el indicador de bisel no está a cero cuando la hoja de la sierra está a 0°, ajuste el indicador; para ello, afloje el tornillo y póngalo a 0° en la escala de bisel. Vuelva a apretar el tornillo.

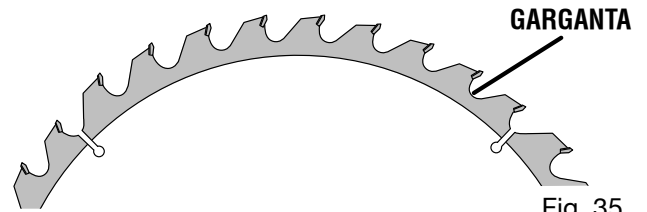


Fig. 35

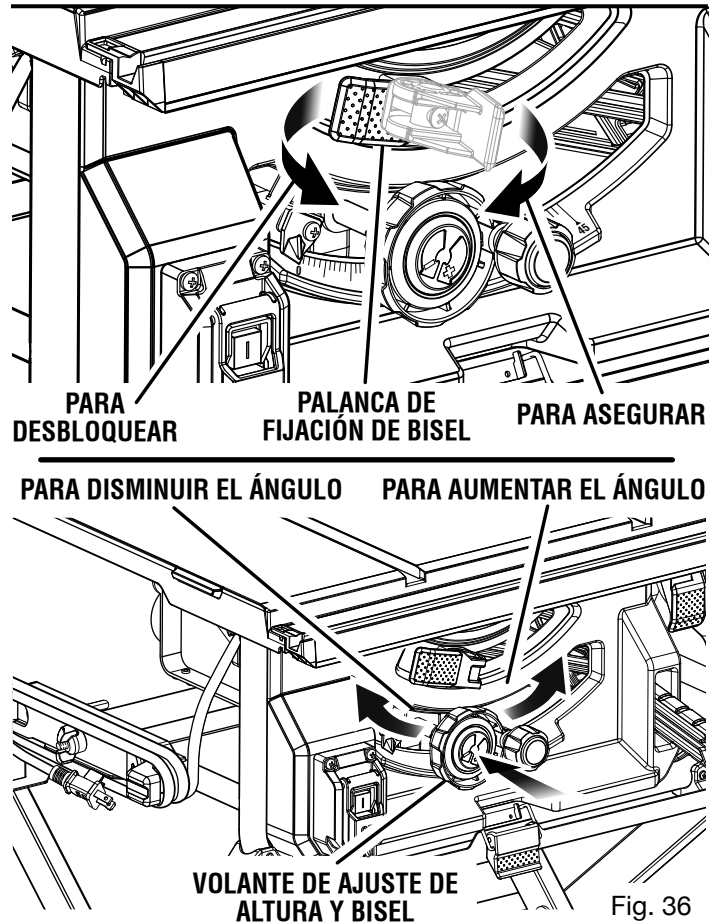


Fig. 36

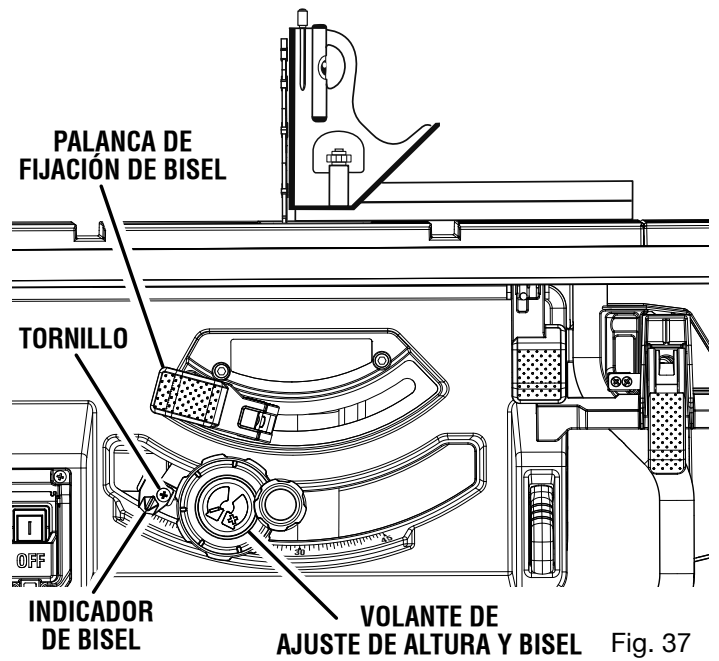


Fig. 37

FUNCIONAMIENTO

PARA USAR LA GUÍA DE CORTE AL HILO

Vea las figuras 38 y 39.

⚠ ADVERTENCIA:

Para reducir el riesgo de sufrir lesiones, siempre asegúrese de que la guía de corte al hilo esté paralela a la hoja, antes de iniciar cualquier operación.

NOTA: La guía de corte al hilo que se incluye con la sierra tiene una guía baja ajustable que puede colocarse de manera que quede orientada hacia la hoja o hacia fuera con respecto a ella. La guía baja debe quedar orientada hacia fuera con respecto a la hoja cuando corte materiales de más de 19,05 mm (3/4 pulg.) de espesor. La guía baja solo debe estar orientada hacia la hoja cuando corte materiales angostos de 19,05 mm (3/4 pulg.) de grosor o menos. **NUNCA** apoye el peso de la pieza de trabajo sobre la guía baja mientras realiza un corte.

- Afloje la guía de corte al hilo; para ello, levante la palanca de fijación.
- Coloque el reborde trasero en la parte posterior de la mesa de la sierra y tire de aquélla un poco hacia la parte delantera de la unidad.
- Baje el extremo delantero de la guía de corte al hilo hasta las superficies guía de la parte superior del riel delantero.
- Verifique que haya un movimiento deslizante suave.
- Coloque la guía de corte al hilo a la distancia deseada de la hoja.
- Con la guía de corte al hilo apoyada sobre la mesa de la sierra, empuje la guía hacia el riel delantero para alinear la guía con la hoja.
- Empuje hacia abajo la palanca de fijación para alinear y fijar la guía. Cuando está bloqueada firmemente, la palanca de fijación debe apuntar hacia abajo.

NOTA: Asegúrese de que la palanca de seguridad asegure la guía de corte al hilo en su lugar. Si es necesario realizar ajustes, vea el apartado **Verificación la tirantez del palanca de bloqueo de la guía de corte al hilo**, en la sección *Ajuste* de este manual.

NOTA: Si la guía de corte al hilo no está en posición paralela a la hoja, deberá realizar ajustes. Consulte: **Verificación del alineamiento de la guía de corte al hilo en relacion a la hoja** en la sección *Ajustes* de este manual.

PARA AJUSTAR A LA HOJA EL INDICADOR DE LA ESCALA DE LA GUÍA DE CORTE AL HILO

Vea la figura 40.

Use el indicador de la guía de corte al hilo para posicionar la guía sobre la escala en el riel delantero.

NOTA: Para poder efectuar este ajuste, debe retirarse los trinquetes anticontrgolpe y conjunto de protección. Una vez terminado el ajuste, vuelva a instalar el conjunto de protección de la hoja.

Comience con la hoja a un ángulo de cero grados (vertical).

- Desconecte la sierra.
- Afloje la guía de corte al hilo; para ello, levante la palanca de fijación.
- Con una escuadra de carpintero fije la guía de corte al hilo a 51 mm (2 pulg.) del borde de la punta de la hoja, luego vuelva a colocar la palanca.

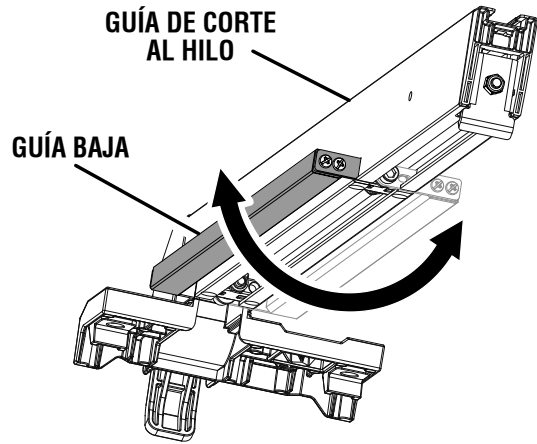


Fig. 38

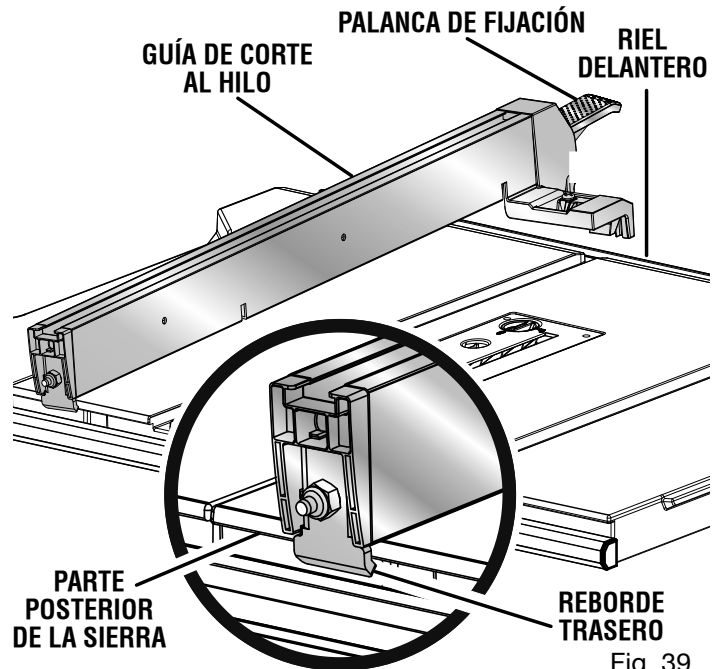


Fig. 39

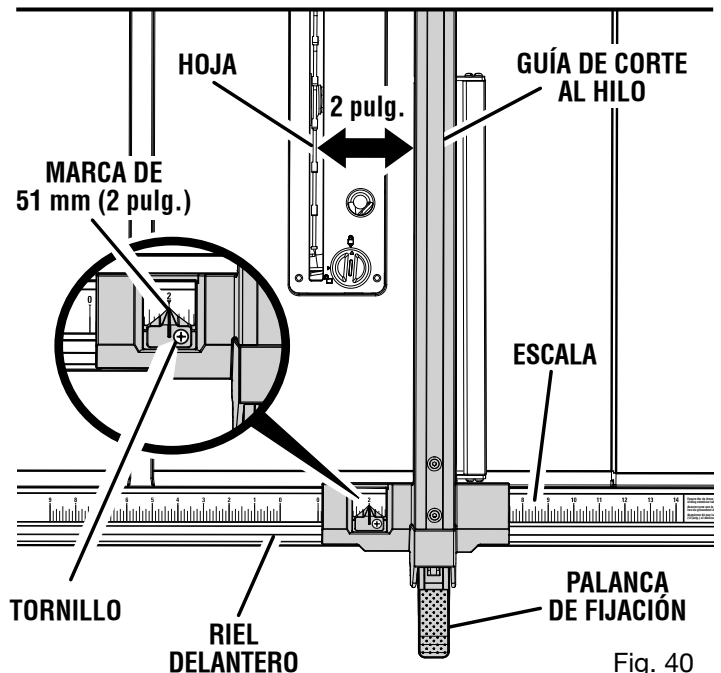


Fig. 40

FUNCIONAMIENTO

NOTA: Coloque la guía baja de manera que quede hacia fuera con respecto a la hoja.

- Afloje el tornillo del indicador de escala y alinea con la 51 mm (2 pulg.) marca como mostrado.
- Apriete el tornillo y verifique la dimensión y la guía de corte al hilo.

NOTA: Cuando use la guía baja, la medición del indicador de la escala de la guía de corte al hilo será incorrecta. Use siempre una cinta métrica para colocar la guía en la posición correcta cuando use la guía baja.

PARA USAR LA GUÍA DE INGLETES

Vea la figura 41.

La guía de ingletes brinda una gran precisión en los cortes en ángulo. Para efectuar cortes con tolerancias muy estrechas se recomienda efectuar cortes de prueba.

Hay dos canales para la guía de ingletes, uno a cada lado de la hoja. Al efectuar cortes transversales a 90°, puede utilizarse cualquiera de los dos canales de la guía de ingletes. Al realizar cortes transversales en bisel (con la hoja inclinada en relación con la mesa), la guía de ingletes debe estar en la ranura de la derecha, de manera que la hoja se incline en dirección opuesta a donde están la guía de ingletes y las manos del operador.

La guía de ingletes puede girarse 60° a la derecha o a la izquierda. Los topes a 0° y 45° se pueden ubicar empujando el pasador de tope.

- Deslice la guía de ingletes puesta en la ranura correspondiente.
- Afloje la perilla de bloqueo girándola hacia la izquierda.
- Extraiga el pasador de tope y gire la guía hasta alcanzar el ángulo deseado en la escala.
- Vuelva a apretar la perilla de bloqueo girándola hacia la derecha.

PARA USAR LA EXTENSIÓN DE MESA DESLIZABLE

Vea la figura 42.

Aumente la longitud de la mesa de la sierra usando la extensión de la mesa.

- Bloquee la guía de corte sobre la extensión de la mesa deslizable de 330,20 mm (13 pulg.).

NOTA: La guía baja debe quedar orientada hacia fuera con respecto a la hoja cuando extienda la mesa.

ADVERTENCIA:

La guía de corte debe bloquearse en la posición de 330,20 mm (13 pulg.) para garantizar la precisión de la medición de la escala secundaria y proporcionar un soporte adecuado para la pieza de trabajo al usar la mesa en posición extendida. Si no se coloca correctamente la guía de corte, se producirán mediciones imprecisas de la pieza de trabajo y podrá dar lugar a lesiones personales graves.

- Desasegure la extensión de la mesa deslizable subiendo la palanca de fijación de la extensión de la mesa.

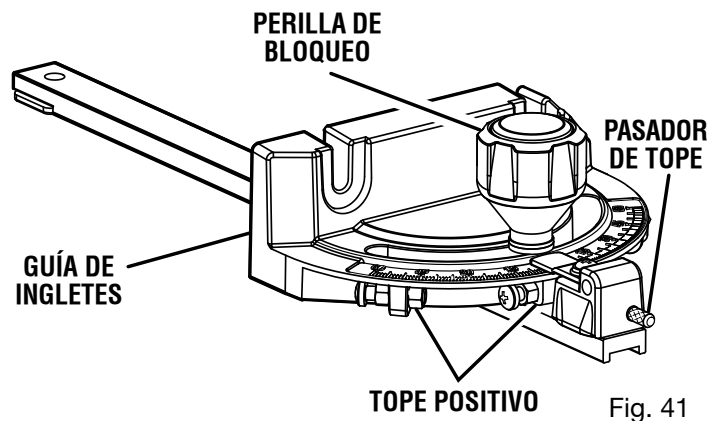


Fig. 41

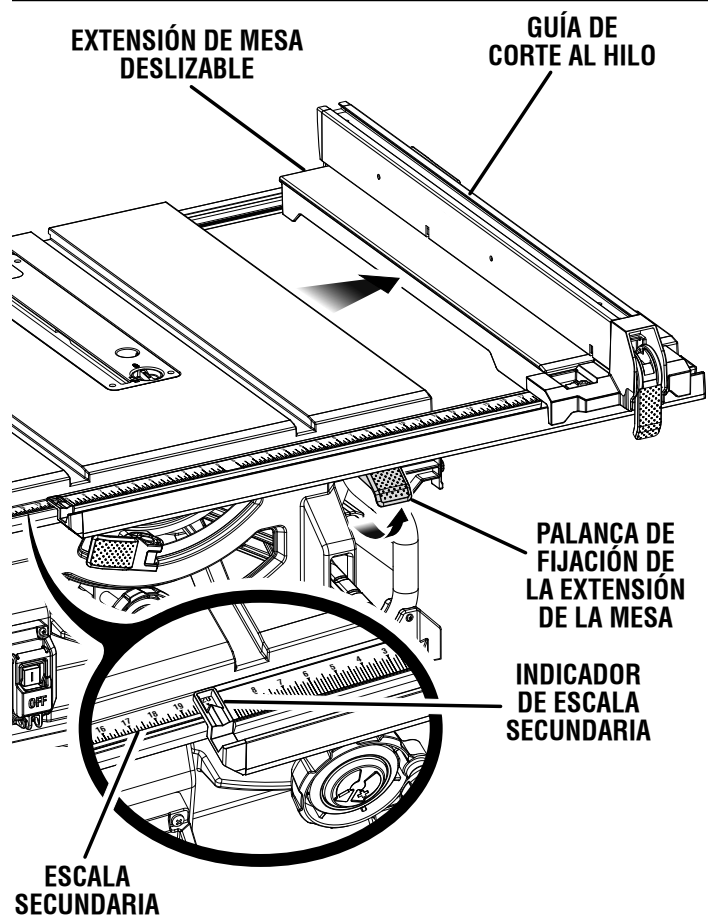


Fig. 42

- Ponga la extensión de la mesa al ancho deseado.
NOTA: Use la escala secundaria del riel delantero cuando desee obtener un ancho específico.
- Una vez fijadas la extensión de la mesa al ancho deseado, vuelva a asegurar ambas palanca de fijación; para ello, empuje de nuevo cada palanca hacia la base de la sierra.

FUNCIONAMIENTO

AJUSTE DE LA HOJA PARALELA A LA RANURA DEL CALIBRE DE INGLETE (REMOCIÓN DEL TALÓN)

Vea las figuras 43 a 45.

ADVERTENCIA:

La hoja debe estar paralela a la ranura del calibre de inglete para que la pieza de trabajo no se atasque, lo que generaría un rebote. La inobservancia de esta advertencia puede causar lesiones serias.

No afloje ningún perno para este ajuste hasta que haya revisado con una escuadra y haya efectuado cortes de prueba para asegurarse de que son necesarios los ajustes. Una vez aflojados los tornillos, deben reajustarse estos elementos.

- Desconecte la sierra.
- Retirar la protección de la hoja, el cuchilla separadora y trinquetes anticontragolpe. Eleve la hoja de la sierra; para ello, gire a la izquierda el volante de ajuste de altura y bisel.

NOTA: Para obtener detalles sobre cómo retirar y volver a colocar la cuchilla separadora, consulte **Cómo limpiar las placas de la palanca de bloqueo de la cuchilla separadora** en la sección *Mantenimiento* de este manual.

- Marque un lado de uno de los dientes de la parte frontal de la hoja. Con una regla, mida la distancia desde la cara interna del diente de la hoja al borde izquierdo de la ranura derecha del calibre de inglete.

NOTA: Para una mayor precisión, coloque el diente marcado de la hoja sobre la regla.

- Gire la hoja de manera que el diente marcado quede atrás.
- Mueva la regla a la parte posterior y mida nuevamente la distancia desde la cara interna del diente de la hoja al borde izquierdo de la ranura derecha del calibre de inglete. Si ambas distancias son iguales, significa que la hoja y la ranura de la guía de ingletes están paralelas.
- Vuelva a colocar el protección de la hoja, el cuchilla separadora y trinquetes anticontragolpe.

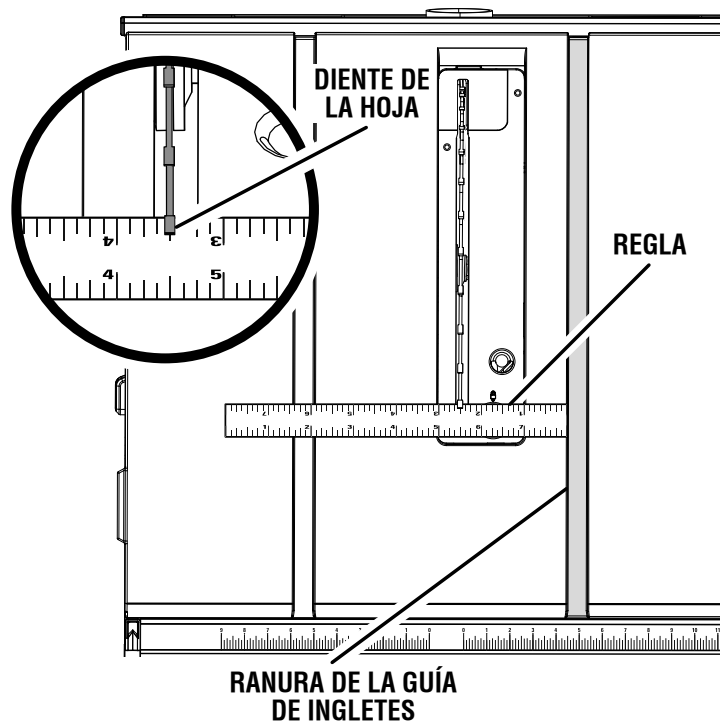


Fig. 43

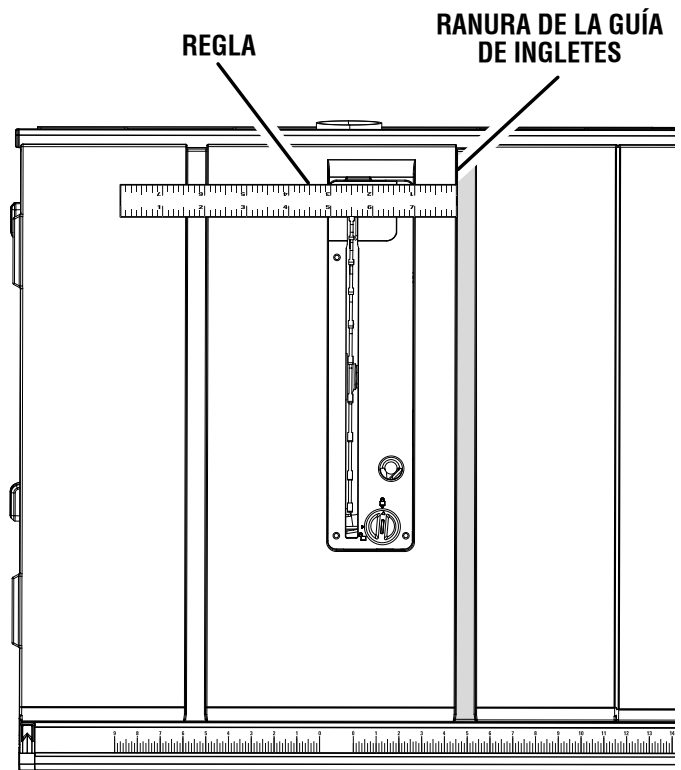


Fig. 44

FUNCIONAMIENTO

Si ambas distancias medidas son diferentes:

- Retirar la protección de la hoja, el cuchilla separadora y trinquetes anticontraGolpe. Eleve la hoja de la sierra; para ello, gire el volante de ajuste de altura y bisel.

- Afloje 1/2 vuelta los tornillos exterior; esto permitirá que el mecanismo que está debajo de la mesa se desplace lateralmente.

NOTE: Los tornillos están ubicados en la parte posterior de la sierra, debajo de la parte superior de la mesa de la sierra.

- Gire el tornillo de alineación hacia la izquierda o hacia la derecha hasta que la hoja quede en posición paralela a la ranura del medidor de inglete.

- Apriete los tornillos exterior. Verifique nuevamente el paralelismo y realice ajustes según resulte necesario.

- Vuelva a colocar el protección de la hoja, el cuchilla separadora y trinquetes anticontraGolpe.

⚠ ADVERTENCIA:

Para reducir el riesgo de lesiones por un contraGolpe, alinee la guía de corte al hilo con la hoja en seguida de los ajustes de ésta. Siempre asegúrese de que la guía de corte al hilo esté paralela a la hoja antes de iniciar cualquier operación.

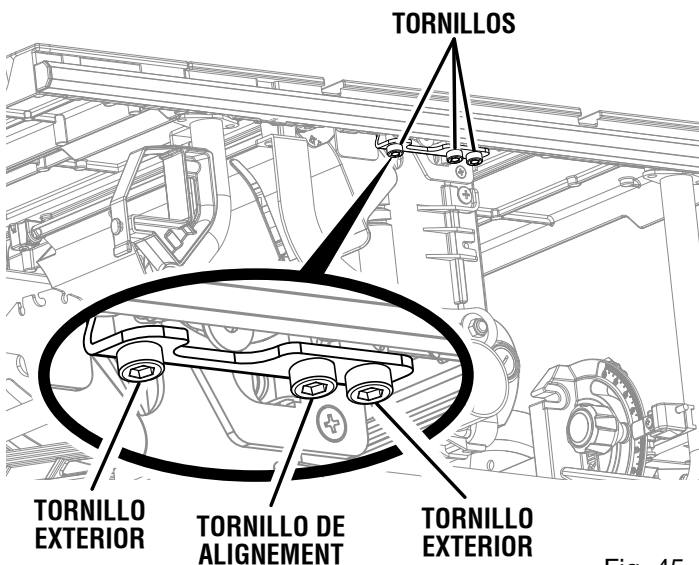


Fig. 45

FORMA DE EFECTUAR CORTES

⚠ ADVERTENCIA:

Antes de realizar cortes, asegúrese de que el pedestal de la sierra de mesa esté en una superficie firme y nivelada donde haya mucho espacio para manipular y sostener la sierra de mesa y la pieza de trabajo. Si no encuentra una ubicación adecuada, no use la sierra. Si usa la sierra en una ubicación sin el espacio adecuado e inestable, la sierra podría caerse y causar lesiones personales graves.

Su sierra de mesa puede realizar una variedad de cortes que no es mencionado todo en este manual. NO procure hacer ningún corte no cubrió aquí a menos que usted esté completamente familiarizado con los procedimientos apropiados y accesorios necesarios. Su biblioteca local tiene muchos libros en la mesa vieron uso y procedimientos especializados de carpintería para su referencia.

La hoja suministrada con la sierra es una hoja combinada de alta calidad adecuada para operaciones de corte al hilo y transversal. Verifique cuidadosamente todos los ajustes y gire la hoja una vuelta completa para asegurarse de que haya espacio libre adecuado antes de conectar la sierra al suministro de corriente. Párese un trayectoria de la hoja para reducir la posibilidad de lesiones si ocurre un contraGolpe.

⚠ ADVERTENCIA:

No utilice hojas con una velocidad nominal inferior a la de esta herramienta. La inobservancia de esta advertencia podría causar lesiones corporales.

Utilice la guía de ingletes cuando efectúe cortes trans-versales, a inglete, en bisel y a inglete combinados. Para fijar el ángulo, deje bloqueada la guía de ingletes en su lugar girando la perilla de bloqueo hacia la derecha. Siempre apriete firmemente en su lugar la perilla de bloqueo antes de utilizar la unidad.

Durante el uso, el medidor de inglete puede moverse ligeramente hacia la izquierda o hacia la derecha dentro de la ranura del medidor de inglete. Para lograr mayor precisión, presione el medidor de inglete contra el borde izquierdo o derecho de la ranura del medidor de inglete al realizar cortes. No permita que el medidor se mueva de un lado al otro.

Coloque siempre la pieza de trabajo contra la cara del cuerpo del medidor de inglete al realizar cortes. Para evitar que la pieza de trabajo se mueva, puede colocar un pedazo de papel de lija en la cara del cuerpo del medidor de inglete.

NOTA: Se recomienda colocar la pieza que se va a conservar en el mismo lado de la hoja y efectuar primero un corte de prueba en madera de desecho.

FUNCIONAMIENTO

CÓMO EFECTUAR CORTES TRANS-VERSALES

Vea las figuras 46 a 48.

ADVERTENCIA:

Asegúrese de que esté instalado y funcione adecuadamente el conjunto de protección de la hoja, para evitar posibles lesiones graves.

ADVERTENCIA:

El uso de la guía de corte al hilo como guía tope al efectuar cortes transversales produce un contragolpe que puede causar lesiones corporales graves.

- Desmonte la guía de corte al hilo.
- Ajuste la hoja a la profundidad correcta para la pieza de trabajo.
- Fije la guía de ingletes a 0° y apriete la perilla de fijación.
- Asegúrese de que la pieza de trabajo está lejos de la hoja antes de encender la sierra.
- Presione el botón superior del interruptor para encender la sierra.
NOTA: No es necesario que levante la cubierta del interruptor para operarlo.
- Presione el botón inferior del interruptor para apagar la sierra.
NOTA: Para evitar el uso no autorizado de la sierra, coloque un candado (no incluido) en los orificios del interruptor y la cubierta, como se muestra en la figura 47.
- Permita que la hoja alcance la velocidad plena antes de mover la pieza de trabajo hacia la hoja.
- Sostenga firmemente la pieza de trabajo con ambas manos en la guía de ingletes y alimente la pieza a la hoja de corte.
NOTA: La mano más cercana a la hoja debe colocarse en la perilla de bloqueo de la guía de ingletes y la mano más alejada debe colocarse en la pieza de trabajo.
- Cuando termine el corte, apague la sierra. Espere a que la hoja se detenga por completo antes de retirar la pieza de trabajo.

CORTE TRANSVERSAL

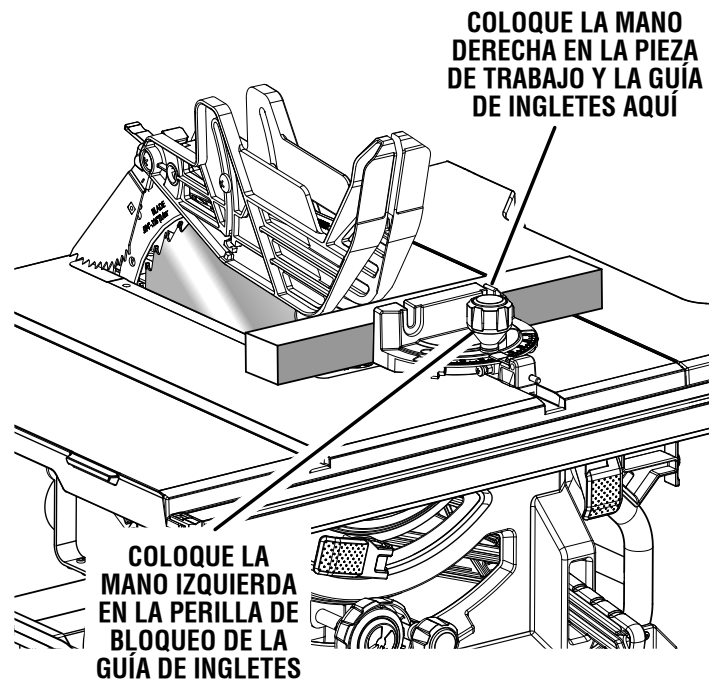
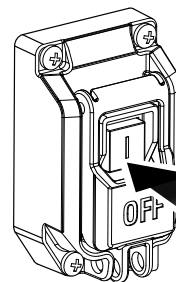
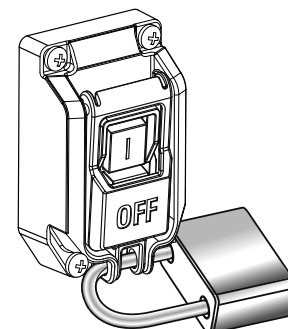
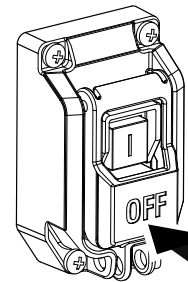


Fig. 46

INTERRUPTOR EN POSICIÓN DE ENCENDIDO



INTERRUPTOR EN POSICIÓN DE APAGADO



INTERRUPTOR EN POSICIÓN ASEGURADA

Fig. 47

FUNCIONAMIENTO

Para realizar cortes transversales repetitivos, siga estos pasos:

Se puede usar un bloque de detención como indicador de corte para realizar cortes transversales repetitivos de la misma longitud sin tener que marcar la pieza de trabajo para hacer cada corte. El extremo del bloque de detención debe estar siempre delante de la hoja. NUNCA use la guía de corte al hilo como un indicador de corte.

- Retire la guía de corte al hilo.
- Establezca la hoja en la profundidad correcta para la pieza de trabajo.
- Coloque el medidor de inglete en 0° y ajuste la perilla de bloqueo.
- Coloque un bloque de madera de 76,20 mm (3 pulg.) que funcione como indicador de corte a la distancia deseada de la hoja.
- Asegure el bloque de detención en su lugar con una morsa o abrazadera.

ADVERTENCIA:

Cuando esté asegurado, el extremo del bloque de detención debe estar en frente de la hoja. Si asegura el bloque de detención más allá de la parte frontal de la hoja, podría originarse un contragolpe y causar lesiones personales graves.

- Coloque la pieza de trabajo en el medidor de inglete con el borde plano contra el bloque de detención.
 - Cuando corte una pieza de trabajo larga o ancha, coloque un soporte de la misma altura que la superficie de la mesa delante de la sierra, detrás de la sierra y a ambos lados de la sierra, según sea necesario.
 - Encienda la sierra.
 - Sostenga la pieza de trabajo firmemente con ambas manos en el medidor de inglete y empuje la pieza de trabajo hacia la hoja.
- NOTA:** La mano más cercana a la hoja debe colocarse en la perilla de bloqueo del medidor de inglete y la mano más alejada de la hoja debe colocarse en la pieza de trabajo.

- Cuando termine de realizar el corte, apague la sierra. Espere a que la hoja se detenga por completo antes de retirar la pieza cortada.
- Vuelva a colocar el medidor de inglete delante de la sierra y ubique la pieza de trabajo para realizar el siguiente corte.
- Después de realizar el último corte, apague la sierra. Espere a que la hoja se detenga por completo y retire el bloque de detención.

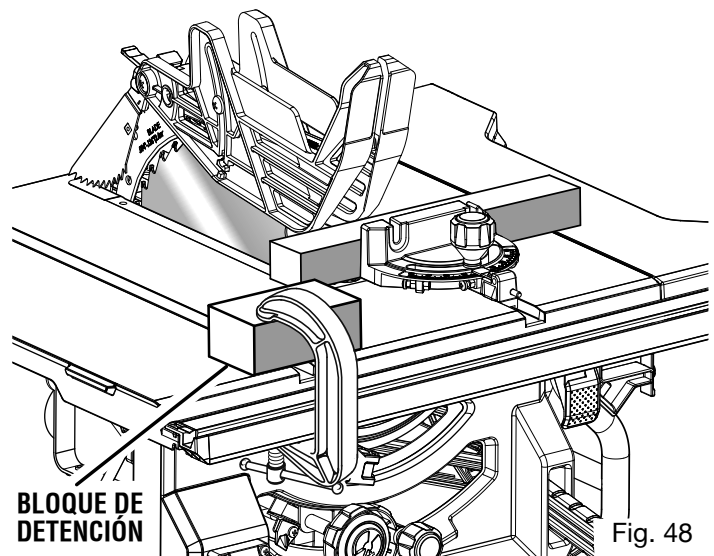
CÓMO EFECTUAR CORTES AL HILO

Vea las figuras 49 y 50.

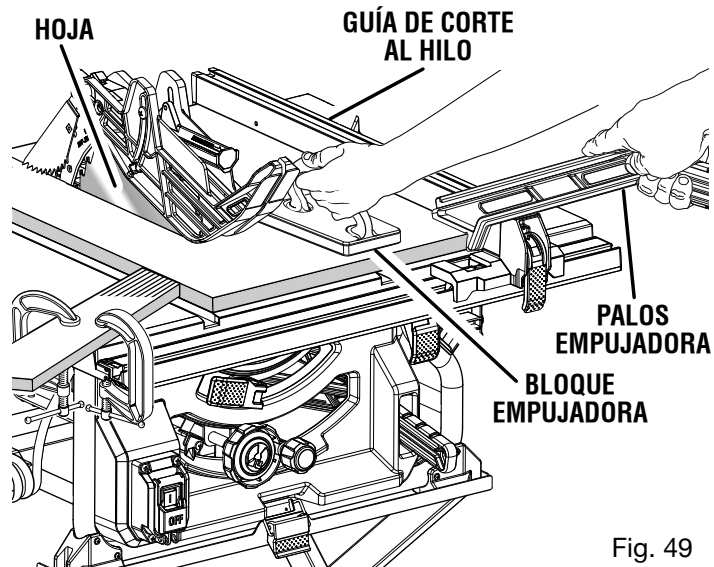
ADVERTENCIA:

Asegúrese de que esté instalado y funcione adecuadamente el conjunto de protección de la hoja para evitar posibles lesiones graves.

CORTE TRANSVERSAL REPETITIVO



CORTE AL HILO



ADVERTENCIA:

Los cortes de cónico sólo deben ser hechos con una vaivén especial, que está disponible comercialmente. No procure corte de cónico de a pulso en esta sierra. La inobservancia las instrucciones abajo puede causar lesiones corporales graves.

- Ajuste la hoja a la profundidad correcta para la pieza de trabajo.
- Mueva la guía baja al lado apropiado de la guía de corte al hilo e instale la guía de corte al hilo.

NOTA: La guía baja solo debe estar orientada hacia la hoja cuando corte materiales angostos de 19,05 mm (3/4 pulg.) de grosor o menos. Las piezas de trabajo de más de 19,05 mm (3/4 pulg.) de ancho pueden ser inestables y requerir mayor sujeción para asegurar la estabilidad durante el corte.

FUNCIONAMIENTO

- Coloque la guía de corte al hilo a la distancia deseada de la hoja para el corte y asegure firmemente la manija.
- Cuando corte una pieza de trabajo larga o ancha, coloque un soporte de la misma altura que la superficie de la mesa delante de la sierra, detrás de la sierra y a ambos lados de la sierra, según sea necesario.
- Instale el peine de sujeción en la posición adecuada para el corte que se hizo.
- Asegúrese de que la pieza de trabajo está lejos de la hoja antes de encender la sierra.
- Encienda la sierra.
- Coloque la pieza de trabajo plana sobre la mesa con la orilla pegada contra la guía de corte al hilo. Permita que la hoja alcance la velocidad plena antes de avanzar la pieza de trabajo hacia la hoja.
- Con una estaca empujadora y/o planchas empujadoras avance lentamente la pieza de trabajo hacia la hoja. Párese a un lado de la pieza de trabajo conforme toca la hoja para reducir la posibilidad de lesiones si ocurre un contragolpe.
- Una vez que la hoja toque la pieza de trabajo, utilice la mano más cercana a la guía de corte al hilo para guiarla. Asegúrese de que la orilla de la pieza de trabajo permanezca en contacto sólido tanto con la guía de corte al hilo como con la superficie de la mesa. Si corta al hilo una pieza angosta, utilice una estaca empujadora para mover la pieza durante el corte a través de la hoja.
- Cuando termine el corte, apague la sierra. Espere a que la hoja se detenga por completo antes de retirar la pieza de trabajo.

Para hacer cortes al hilo de menos de 50,80 mm (2 pulg.) de ancho:

Si no se utiliza una plantilla de corte al hilo estrecho, la guía de corte al hilo incluida con la sierra tiene una guía baja que permite operaciones de corte al hilo estrecho.

NOTA: Para realizar cortes de menos de 50,80 mm (2 pulg.) de ancho, mida la distancia que hay desde la hoja hasta la guía con una cinta métrica. No utilice la escala de corte al hilo al usar la guía baja.

ADVERTENCIA:

Cuando realice cortes al hilo estrechos, asegúrese siempre de que la pieza que desea cortar no pueda caer dentro de la placa de la garganta de la sierra. Si la pieza cae dentro de la placa de la garganta, podría dañar la protección debajo de la mesa, lo cual sería peligroso para el operador.

- Mueva la guía baja de manera que quede orientada hacia la hoja e instale la guía de corte al hilo.

NOTA: La guía de corte al hilo que se incluye con la sierra tiene una guía baja ajustable que puede colocarse de manera que quede orientada hacia la hoja o hacia fuera con respecto a ella. La guía baja debe quedar orientada hacia fuera con respecto a la hoja cuando corte materiales de más de 19,05 mm (3/4 pulg.) de espesor. La guía baja solo debe estar orientada

hacia la hoja cuando corte materiales angostos de 19,05 mm (3/4 pulg.) de grosor o menos.

- Levante la barrera del lateral izquierdo o derecho de la protección de la hoja y bájela sobre la pieza de trabajo o la guía de corte al hilo estrecho para asegurar la cobertura de la zona de corte durante esta operación.
- Asegure la guía de corte al hilo.
- Apoye la pieza de trabajo sobre la mesa con el borde nivelado contra la guía baja.
- Con un bloque o palo empujador, haga el corte al hilo; consulte **Cómo efectuar cortes al hilo** anteriormente en esta sección.

NOTA: Esta técnica sirve para hacer cortes al hilo estrechos en piezas de trabajo de 19,05 mm (3/4 pulg.) de espesor o menos. Para hacer cortes al hilo estrechos en materiales más gruesos, use una plantilla de corte al hilo estrecho; consulte **Cómo Hacer una vaivén (para el corte al hilo pieza de trabajo)** anteriormente en esta sección.

NOTA: La operación de corte ilustrada en la figura 50 hará que la pieza guardada se encuentre entre la guía de corte al hilo y el lado derecho de la hoja. También puede colocar la guía de corte al hilo y la parte ancha de la pieza de trabajo en el lado derecho de la hoja, lo que haría que la pieza guardada esté a la izquierda.

CORTE AL HILO ESTRECHO

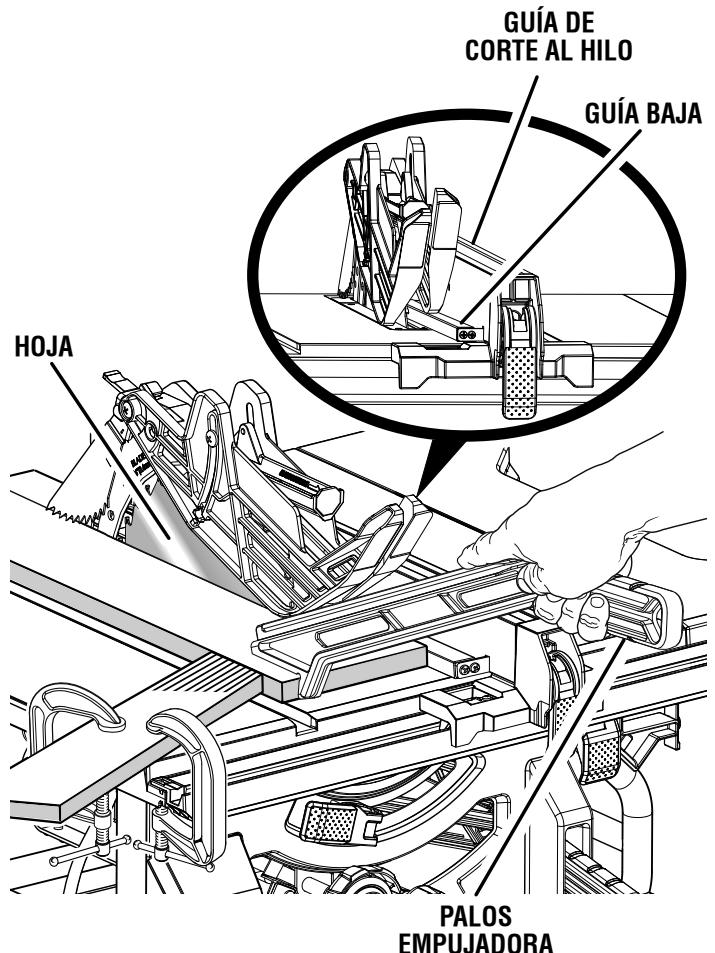


Fig. 50

FUNCIONAMIENTO

CÓMO EFECTUAR CORTES AL HILO

Vea la figura 51.

⚠ ADVERTENCIA:

Asegúrese de que esté instalado y funcione adecuadamente el conjunto de protección de la hoja para evitar posibles lesiones graves.

- Ajuste la hoja a la altura correcta para la pieza de trabajo en cuestión.
- Desmonte la guía de corte al hilo levantando la manija de bloqueo.
- Coloque la guía de ingletes en el ángulo deseado y apriete la palanca de la perilla de bloqueo.
- Asegúrese de que la pieza de trabajo esté lejos de la hoja antes de encender la sierra.
- Encendido la sierra.
- Permita que la hoja alcance la velocidad plena antes de avanzar la pieza de trabajo hacia la hoja.
- Sostenga firmemente la pieza de trabajo con ambas manos en la guía de ingletes y aváncela hacia la hoja.

NOTA: La mano más cercana a la hoja debe colocarse en la perilla de bloqueo de la guía de ingletes y la mano más alejada debe colocarse en la pieza de trabajo.

- Cuando termine el corte, apague la sierra. Espere a que la hoja se detenga por completo antes de retirar la pieza de trabajo.

CÓMO EFECTUAR CORTES TRANSVERSALES EN BISEL

Vea las figuras 52 y 53.

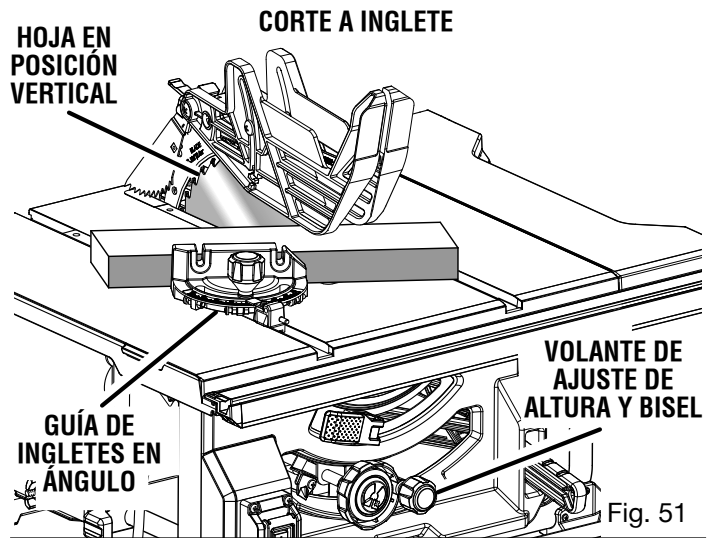
⚠ ADVERTENCIA:

Asegúrese de que esté instalado y funcione adecuadamente el conjunto de protección de la hoja para evitar posibles lesiones graves.

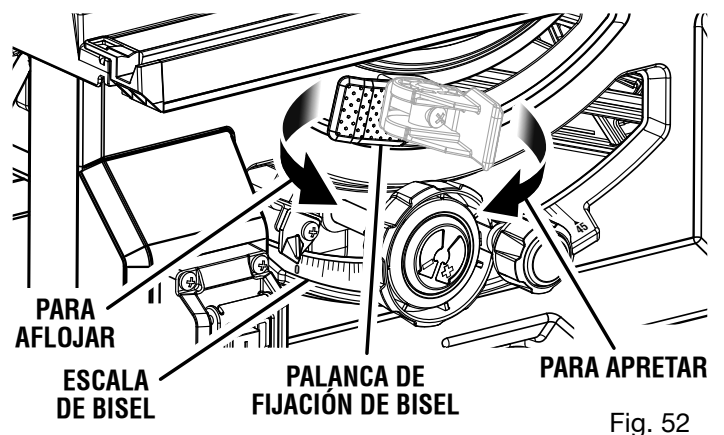
⚠ ADVERTENCIA:

La guía de ingletes debe estar del lado derecho de la hoja para evitar atrapar la madera y causar un contragolpe. La colocación de la guía de ingletes a la izquierda de la hoja produciría un contragolpe y el consiguiente riesgo de lesiones corporales graves.

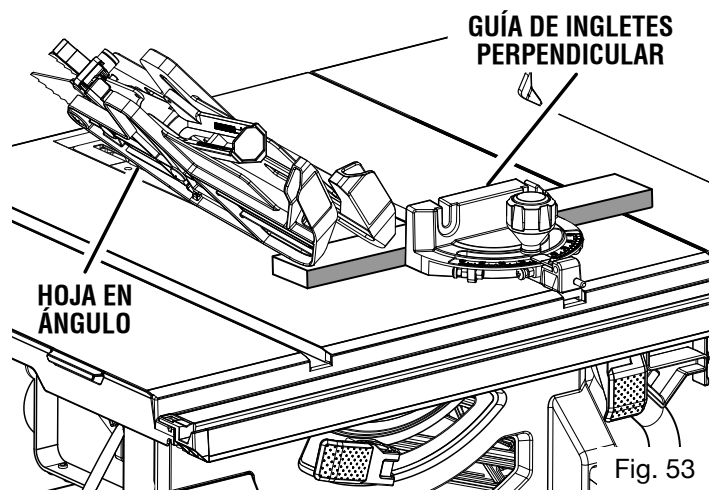
- Desmonte la guía de corte al hilo.
- Afloje la palanca de fijación de bisel.
- Ajuste el ángulo de bisel según desee.
- Enganche la palanca de fijación de bisel.
- Ajuste la hoja a la profundidad correcta para la pieza de trabajo.
- Fije la guía de ingletes a 0° y apriete la perilla de fijación.
- Asegúrese de que la pieza de trabajo está lejos de la hoja antes de encender la sierra.
- Encendido la sierra.
- Permita que la hoja alcance la velocidad plena antes de mover la pieza de trabajo hacia la hoja.



VISTA DESDE EL FRENTE, DEBAJO DE LA SIERRA DE MESA



CORTE TRANSVERSAL EN BISEL



- Sostenga firmemente la pieza de trabajo con ambas manos en la guía de ingletes y alimente la pieza a la hoja de corte.
- NOTA:** La mano más cercana a la hoja debe colocarse en la perilla de bloqueo de la guía de ingletes y la mano más alejada debe colocarse en la pieza de trabajo.
- Cuando termine el corte, apague la sierra. Espere a que la hoja se detenga por completo antes de retirar la pieza de trabajo.

FUNCIONAMIENTO

CÓMO EFECTUAR CORTES AL HILO EN BISEL

Vea la figura 54.

ADVERTENCIA:

Asegúrese de que esté instalado y funcione adecuadamente el conjunto de protección de la hoja para evitar lesiones graves.

ADVERTENCIA:

La guía de corte al hilo debe estar del lado derecho de la hoja para evitar atrapar la madera y causar un contragolpe. La colocación de la guía de corte al hilo a la izquierda de la hoja produciría un contragolpe y el consiguiente riesgo de lesiones corporales graves.

- Retire la guía de ingletes.
- Instalar de peine de sujeción en la posición adecuada para el corte que se hizo.
- Afloje la palanca de fijación de bisel.
- Ajuste el ángulo de bisel según desee.
- Enganche la palanca de fijación de bisel.
- Ajuste la hoja a la profundidad correcta para la pieza de trabajo.
- Coloque la guía de corte al hilo a la distancia deseada de la hoja para el corte y asegure firmemente la manija.
- Asegúrese de que la pieza de trabajo esté lejos de la hoja antes de encender la sierra.
- Cuando corte una pieza de trabajo larga o ancha, coloque un soporte de la misma altura que la superficie de la mesa delante de la sierra, detrás de la sierra y a ambos lados de la sierra, según sea necesario.
- Encendido la sierra.

- Coloque la pieza de trabajo plana sobre la mesa con la orilla pegada contra la guía de corte al hilo. Permita que la hoja alcance la velocidad plena antes de avanzar la pieza de trabajo hacia la hoja.
- Con un palo empujador y/o bloques empujadores avance lentamente la pieza de trabajo hacia la hoja. Párese a un lado de la madera conforme toque la hoja para reducir la posibilidad de lesiones si ocurre un contragolpe.
- Una vez que la hoja toque la pieza de trabajo, utilice la mano más cercana a la guía de corte al hilo para guiarla. Asegúrese de que la orilla de la pieza de trabajo permanezca en contacto sólido tanto con la guía de corte al hilo como con la superficie de la mesa. Si corta al hilo una pieza angosta, utilice una estaca empujadora y/o bloques empujadores para mover la pieza durante el corte a través de la hoja.
- Cuando termine el corte, apague la sierra. Espere a que la hoja se detenga por completo antes de retirar la pieza de trabajo.

CORTE AL HILO EN BISEL

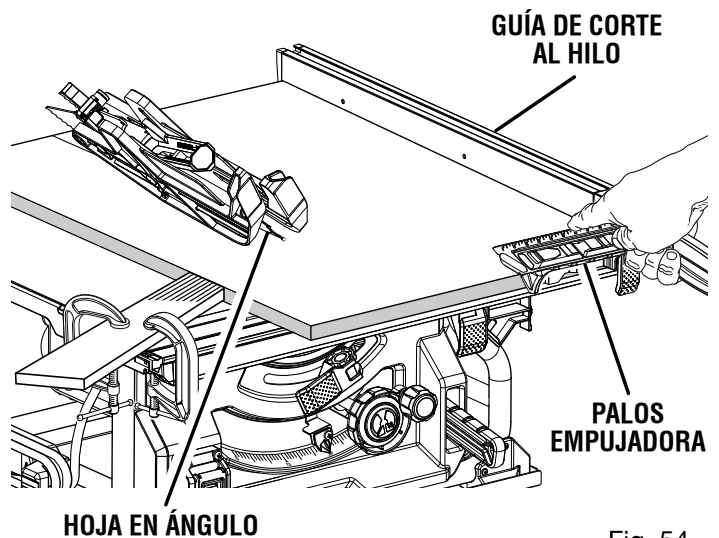


Fig. 54

FUNCIONAMIENTO

CÓMO EFECTUAR CORTES A INGLETE COMBINADOS (EN BISEL)

Vea la figura 55.

ADVERTENCIA:

Asegúrese de que esté instalado y funcione adecuadamente el conjunto de protección de la hoja para evitar posibles lesiones graves.

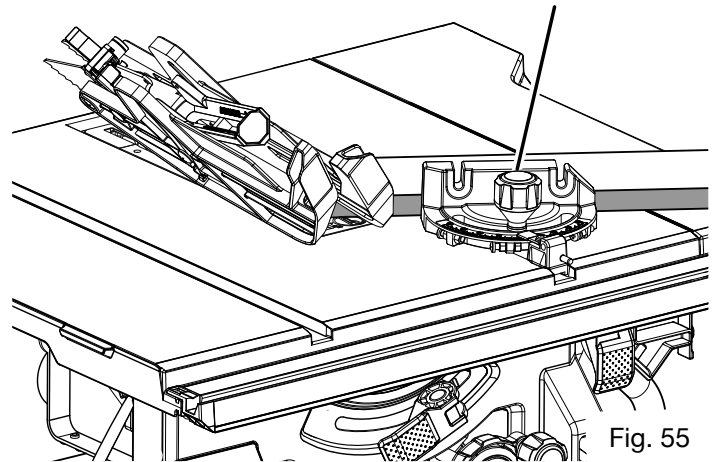
ADVERTENCIA:

La guía de ingletes debe estar del lado derecho de la hoja para evitar atrapar la madera y causar un contragolpe. La colocación de la guía de ingletes a la izquierda de la hoja produciría un contragolpe y el consiguiente riesgo de lesiones corporales graves.

- Desmunte la guía de corte al hilo.
- Afloje la palanca de fijación de bisel.
- Ajuste el ángulo de bisel según desee.
- Enganche la palanca de fijación de bisel.
- Ajuste la hoja a la profundidad correcta para la pieza de trabajo.
- Afloje la perilla de fijación de la guía de ingletes, fije ésta al ángulo deseado y apriete la perilla de fijación.
- Asegúrese de que la pieza de trabajo está lejos de la hoja antes de encender la sierra.
- Encendido la sierra.

CORTE A INGLETE COMBINADO (EN BISEL)

COLOQUE LA MANO IZQUIERDA
LA GUÍA DE INGLETES AQUÍ



- Permita que la hoja alcance la velocidad plena antes de avanzar la pieza de trabajo hacia la hoja.
- Sostenga firmemente la pieza de trabajo con ambas manos en la guía de ingletes y aváncela hacia la hoja.

NOTA: La mano más cercana a la hoja debe colocarse en la perilla de bloqueo de la guía de ingletes y la mano más alejada debe colocarse en la pieza de trabajo.

- Cuando termine el corte, apague la sierra. Espere a que la hoja se detenga por completo antes de retirar la pieza de trabajo.

FUNCIONAMIENTO

CÓMO CORTAR UN PANEL GRANDE

Vea la figura 56.

Asegúrese de que la sierra esté debidamente asegurada a una superficie de trabajo para evitar cualquier volcamiento producido por un panel grande.

ADVERTENCIA:

Asegúrese de que esté instalado y funcione adecuadamente el conjunto de protección de la hoja para evitar posibles lesiones graves.

ADVERTENCIA:

Nunca efectúes cortes a pulso (cortes sin ninguna de las guías), lo cual puede producir lesiones graves.

- Instalar de peine de sujeción en la posición adecuada para el corte que se hizo.
- Cuando corte una pieza de trabajo larga o ancha, coloque un soporte de la misma altura que la superficie de la mesa delante de la sierra, detrás de la sierra y a ambos lados de la sierra, según sea necesario.

ADVERTENCIA:

El soporte inadecuado de la pieza de trabajo en el lateral o el lado de salida de la sierra podría ocasionar el movimiento inesperado de la pieza o la sierra, lo que podría, a su vez, resultar en lesiones personales graves.

- Según sea la forma del panel, utilice la guía de corte al hilo o la guía de ingleses. Si el panel es demasiado grande para usar ya sea la guía de corte al hilo o la guía de ingleses, es demasiado grande para esta sierra.
- Asegúrese de que la pieza de trabajo no toque la hoja antes de encender la sierra.
- Encendido la sierra.
- Coloque la pieza de trabajo plana sobre la mesa con la orilla pegada contra la guía de corte al hilo. Permita que la hoja alcance la velocidad plena antes de avanzar la pieza de trabajo hacia la hoja.

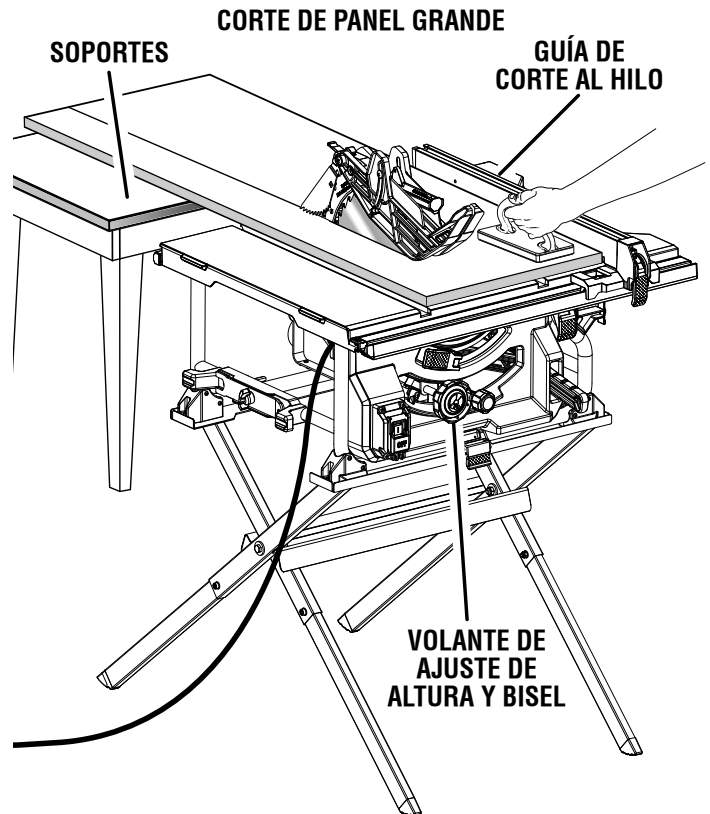


Fig. 56

- Con una estaca empujadora y/o planchas empujadoras avance lentamente la pieza de trabajo hacia la hoja. Párese a un lado de la madera conforme toca la hoja para reducir la posibilidad de lesiones si ocurre un contragolpe.
- Una vez que la hoja toque la pieza de trabajo, utilice la mano más cercana a la guía de corte al hilo para guiarla. Asegúrese de que la orilla de la pieza de trabajo permanezca en contacto sólido tanto con la guía de corte al hilo como con la superficie de la mesa. Si corta al hilo una pieza angosta, utilice una palas empujadora y/o bloque empujador para mover la pieza durante el corte a través de la hoja.
- Cuando termine el corte, apague la sierra. Espere a que la hoja se detenga por completo antes de retirar la pieza de trabajo.

FUNCIONAMIENTO

CÓMO EFECTUAR UN CORTE SIN TRASPASO

Vea la figura 57.

Pueden efectuarse cortes sin traspaso (hizo con un estándar 10 pulg. hoja) del espesor de la pieza de trabajo paralelos a la fibra de la madera (corte al hilo) o transversales a la fibra (corte transversal). El corte sin traspaso del espesor de la pieza de trabajo es esencial para cortar ranuras, rebajos y mortajas. Este es el único tipo de corte que se efectúa sin el conjunto de protección de la hoja instalado. Asegúrese de reinstalar el conjunto de protección de la hoja al terminar este tipo de corte. Lea la sección correspondiente donde se describe el tipo de corte en cuestión, además de esta sección sobre cortes sin traspaso del espesor de la pieza de trabajo, o de ranuras. Por ejemplo, si corte sin traspaso de la pieza de trabajo es un corte transversal recto, antes de proseguir lea y comprenda la sección sobre cortes transversales rectos.

ADVERTENCIA:

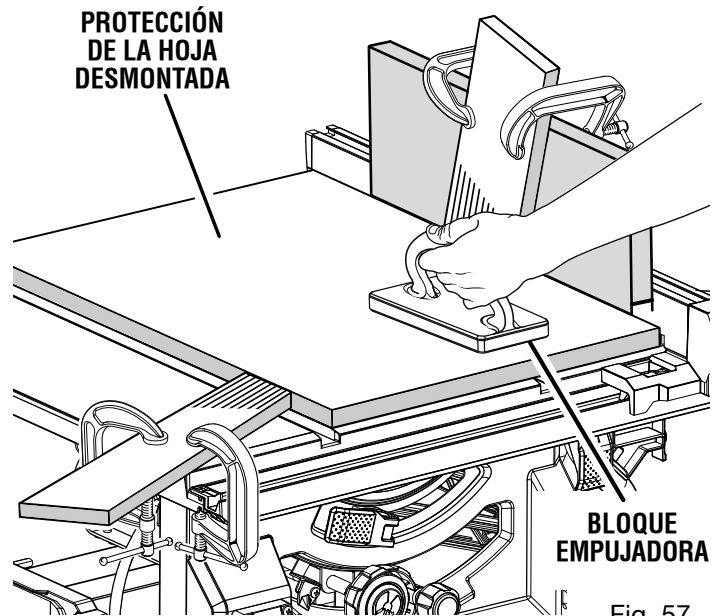
Cuando se hace un corte sin traspaso del espesor de la pieza de trabajo, la hoja queda cubierta con la pieza de trabajo durante la mayor parte del corte. Para evitar el riesgo de lesiones, esté alerta de la hoja expuesta al principio y final de cada corte.

ADVERTENCIA:

Cuando haga cualquier corte sin traspaso del espesor de la pieza de trabajo, como rebajos y ranuras, nunca avance la madera con las manos. Para evitar lesiones, siempre utilice planchas y estacas empujadoras, así como peines de sujeción.

- Desconecte la sierra.
- Retirar el conjunto de protección de la hoja y trinquetes anticontragolpe.
- Coloque cuchilla separadora “abajo” en la posición.
- Afloje la palanca de fijación de bisel.
- Ajuste el ángulo de bisel según desee.
- Enganche la palanca de fijación de bisel.
- Ajuste la hoja a la altura correcta para la pieza de trabajo.
- Según sea la forma y el tamaño de la madera, utilice la guía de corte al hilo o la guía de ingletes.
- Conecte la sierra en el suministro de corriente y gire la sierra.

CORTE SIN TRASPASO



- Permita que la hoja alcance la velocidad plena antes de mover la pieza de trabajo hacia la hoja.
- Cuando haga cortes sin traspaso del espesor de la pieza de trabajo, siempre utilice bloques y/o palos empujadores y peines de sujeción apropiadamente para reducir el riesgo de lesiones graves.
- Cuando termine el corte, apague la sierra; para ello, ponga el botón en la posición apagado. Espere a que la hoja se detenga por completo antes de retirar la pieza de trabajo.

NOTA: En la ilustración de arriba, se muestra un corte al hilo sin traspaso. Para hacer un corte transversal sin traspaso, retire la protección de la hoja y los trinquetes anticontragolpe. Coloque la cuchilla separadora en la posición “hacia abajo” y realice el corte transversal; consulte **Cómo efectuar cortes trans-versales** anteriormente en esta sección.

Una vez terminados todos los cortes no pasante:

- Desconecte la sierra.
- Coloque cuchilla separadora “arriba” en la posición.
- Vuelva a instalar el protección de la hoja y trinquetes anticontragolpe.

FUNCIONAMIENTO

CÓMO EFECTUAR CORTES DE RANURA

Vea la figura 58.

Para este procedimiento se requiere una placa de la garganta para corte de ranuras optativa (vea la sección *Accesorios* de este manual y consulte al personal de la tienda de menudeo de su preferencia). Todos las hojas y juegos de hojas de ranurado debe tener una velocidad nominal inferior a la de esta herramienta. Esta sierra está diseñada para usarse con un conjunto de hojas de ranurar de 152,4 mm (6 pulg.) (de un espesor de 19 mm [3/4 pulg.]). No utilice hojas de ranurar ajustables con esta sierra.

Los cortes de rebajado son cortes de ranurado en el extremo de una pieza de trabajo. Para obtener los mejores resultados, realice cortes de rebajado con una hoja de ranurado apilada.

NOTA: Use una guía auxiliar cuando haga cortes de rebajado para evitar que la cara de la guía de corte al hilo haga contacto con la pila de la hoja de ranurado durante la operación de corte.

ADVERTENCIA:

Cuando se hace un corte sin traspaso del espesor de la pieza de trabajo, la hoja queda cubierta con la pieza de trabajo durante la mayor parte del corte. Para evitar el riesgo de lesiones, esté alerta de la hoja expuesta al principio y final de cada corte.

ADVERTENCIA:

Siempre coloque todos los arandelas de la hoja, los separadores y los tuercas en la posición adecuada cuando vuelva a cambiar la configuración para usar la hoja de la sierra. La inobservancia de esta advertencia puede causar lesiones corporales y daños a la herramienta.

ADVERTENCIA:

Cuando haga cortes de ranuras, siempre utilice bloques o palos empujadoras, y/o peines de sujeción, para evitar el riesgo de lesiones graves.

- Desconecte la sierra.
- Retirar el conjunto protector de la hoja de corte, trinquetes anticontragolpe, la placa de la garganta, y el cuchilla separadora.
NOTA: Para obtener detalles sobre cómo retirar y volver a colocar la cuchilla separadora, consulte **Cómo limpiar las placas de la palanca de bloqueo de la cuchilla separadora** en la sección de *Mantenimiento* de este manual.
- Quite tuerca de la hoja, arandela exterior de la hoja, hoja de la sierra, arandela interior de la hoja, y separador.
NOTA: Siempre almacene la arandela de la hoja y placa de la garganta en una ubicación segura.
- Vuelva a instalar las arandelas interior de la hoja.
- Montar la hoja de ranurar, según instrucciones de fabricante, utilizando la hoja y cindeles giratorios adecuados para el ancho de corte deseado.
- Vuelva a colocar la tuerca de la hoja y ajústela con firmeza.
NOTA: La arandela de la hoja puede utilizarse siempre y cuando el árbol sobrepase ligeramente la tuerca del mismo.
- Asegúrese de que la tuerca de la hoja esté totalmente enroscada y de que el árbol sobresalga después de apretar firmemente la tuerca de la hoja.

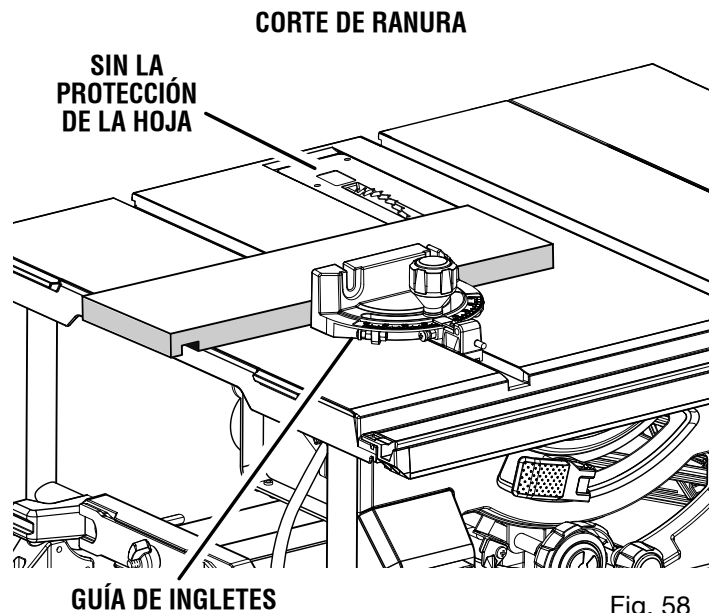


Fig. 58

- Colocar la palanca de afloje del cuchilla separadora en en la posición asegurada.
 - Instale la placa de la garganta para cortes de ranuras y gire la hoja de sierra con la mano para asegurarse de que gire libremente y luego baje la hoja.
 - Según sea la forma y el tamaño de la madera, utilice la guía de corte al hilo o la guía de ingletes.
 - Si efectuar cortes al hilo, instale de peine de sujeción en la posición adecuada para el corte que se hizo.
 - Encendido la sierra.
NOTA: Asegúrese de que la pieza de trabajo no toque la hoja antes de encender la sierra. Permita que la hoja alcance la velocidad plena antes de avanzar la pieza de trabajo hacia la hoja.
 - Coloque la pieza de trabajo plana sobre la mesa con la orilla pegada contra la guía de corte al hilo o la guía de ingletes.
 - Utilice una plancha o estaca empujadora para mover la madera durante el corte a través de la hoja. Nunca empuje una pieza pequeña de madera hacia la hoja con la mano. Siempre utilice una estaca empujadora. El uso de planchas empujadoras, estacas empujadoras y peines de sujeción es necesario al efectuar cortes sin traspaso del espesor de la pieza de trabajo.
 - Cuando termine el corte, apague la sierra; para ello, ponga el botón en la posición apagado. Espere a que la hoja se detenga por completo antes de retirar la pieza de trabajo.
NOTA: En la ilustración de arriba, se muestra un corte transversal de ranurado. Para hacer un corte al hilo de ranurado, retire la protección de la hoja, los trinquetes anticontragolpe, la placa de la garganta y la cuchilla separadora. Instale la hoja de ranurado y la placa de la garganta de la hoja de ranurado y realice el corte al hilo; vea **Cómo efectuar cortes al hilo** anteriormente en esta sección.
- Una vez terminados todos los cortes de ranura:**
- Desconecte la sierra.
 - Quite la placa de la garganta de la hoja para cortar ranuras y la hoja para cortar ranuras.
 - Vuelva a instalar la cuchilla separadora en la posición hacia arriba.
 - Vuelva la hoja de corte estándar, la placa de la garganta estándar, y el conjunto protector.

AJUSTES

⚠ ADVERTENCIA:

Antes de efectuar cualquier ajuste, asegúrese de que la herramienta esté desconectada del suministro de corriente y que el botón superior del interruptor no esté presionado. La falta de atención a esta advertencia podría causar lesiones corporales graves.

Para evitar configuraciones y ajustes innecesarios, una buena práctica es verificar cada configuración cuidadosamente con una escuadra de entramar, y efectuar cortes en madera de desecho antes de efectuar cortes finales en piezas de trabajo buenas. No inicie ningún ajuste sin haber revisado con una escuadra y haber efectuado cortes de prueba para asegurarse de que son necesarios los ajustes.

PARA REEMPLAZAR LA HOJA

Veá las figuras 59 y 60.

Use guantes y otros elementos de protección personal solamente cuando instale y retire una hoja. **NO** use guantes cuando opere la sierra. **NO** coloque la mano enguantada cerca de la hoja cuando esté en movimiento.

Utilice las hojas indicadas. El ancho de corte de la hoja y el grosor del cuerpo de la hoja deben estar dentro de los límites marcados en la cuchilla separadora.

- Desconecte la sierra.
- Retirar el conjunto de protección de la hoja y trinquetes anticontraGolpe.
- Baje la hoja de la sierra y quite la placa de la garganta.
- Enganche la palanca de fijación de bisel.
- Suba la hoja a su máxima altura.
- Utilizar una llave grande, inserte el abra abierto en las caras planas de polea del árbol.
- Coloque el extremo cerrado de la llave pequeña en la tuerca de la hoja. Teniendo ambas llaves firmemente, tiran la llave pequeña delantero al empujar el llave grande a la trasero de la sierra.

NOTA: El árbol tiene mano de enhebra derechos.

- Verrouillage le levier de dégagement y retirar la hoja.

Para sustituir la hoja estándar por una de accesorio, siga las instrucciones suministradas con éste.

Para instalar la hoja estándar:

NOTA: Asegúrese de que el separador y la arandela interior de la hoja estén en su lugar en el eje antes de instalar la nueva hoja.

- Coloque la nueva hoja sobre el vástago del polea del (para funcionar correctamente, los dientes deben apuntar hacia abajo en dirección al frente de la sierra).
- Coloque la arandela de la hoja y la tuerca de la hoja sobre el vástago de la hoja. Verifique que el lado redondeado de la arandela de la hoja esté cara afuera con respecto a la hoja, y que todos los componentes estén bien colocados contra la brida del árbol. Asegúrese de que la tuerca de la hoja esté firmemente apretada. No apriete excesivamente.

NOTA: El árbol tiene mano de enhebra derechos.

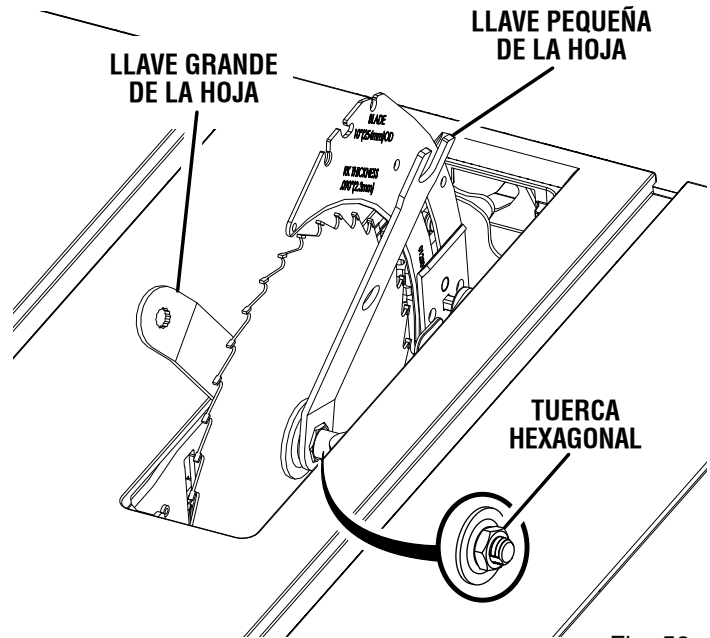


Fig. 59

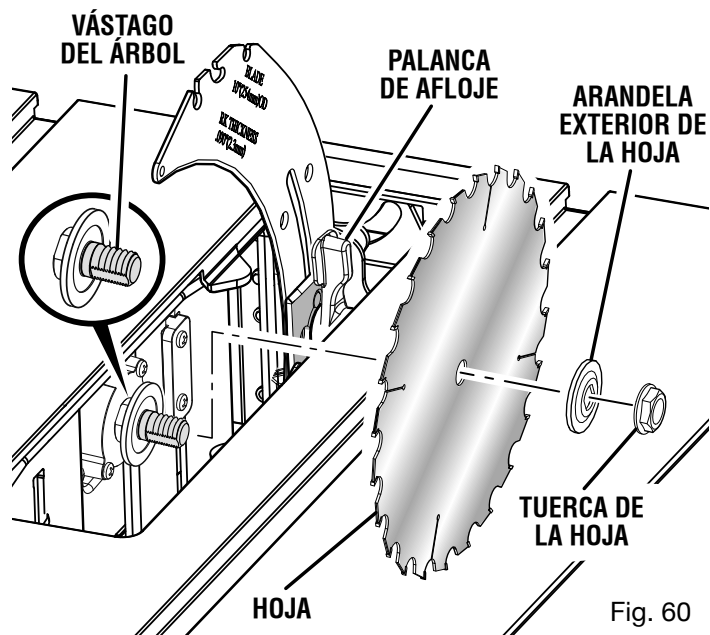


Fig. 60

- Asegurar la palanca de afloje.
- Baje la hoja y haga girar la hoja con la mano para comprobar.
- Baje la hoja de la sierra y instale la placa de garganta.
- Verifique la existencia de los espacios necesarios para permitir el giro libre de la hoja.

Después de la instalación, ajuste el indicador de escala de corte al hilo para adaptarlo al ancho de corte y el grosor de la hoja. Consulte el apartado **Para ajustar a la hoja el indicador de la escala de la guía de corte al hilo** en la sección *Funcionamiento* de este manual. En las operaciones de corte la escala se ajusta con respecto al lado de la hoja donde se medirá y efectuará el corte.

AJUSTES

PARA AJUSTAR LA HOJA DE CORTE A 0° O 45°

Vea las figuras 61 y 62.

Los ajustes de ángulo de su sierra se hicieron en la fábrica y, a menos que se hayan dañado durante el transporte, no necesitan ajuste durante el armado. Después de un uso intenso, es posible que se necesite revisar.

- Desconecte la sierra.
- Suba la hoja.
- Retirar el conjunto de protección de la hoja y trinquetes anticontragolpe.

Para verificar la cuadratura (bisel de 0°):

- Suelte la palanca de fijación de bisel.
- Gire la manivela de ajuste del ángulo del bisel hasta que la hoja se incline hacia la derecha en la mayor medida posible.
- Enganche la palanca de fijación de bisel.
- Coloque la escuadra contra la hoja. Asegúrese de que la escuadra no esté tocando la punta de uno de los dientes de la sierra.

Si la hoja no forma un ángulo exacto de 90° (bisel de 0°):

- Suelte la palanca de fijación de bisel.
- Gire la volante de ajuste de altura y bisel hasta que el indicador de bisel indique 5°-10°.
- Gire 0° tornillo de tope 1/4 vuelta a la derecha o a la izquierda.
- Gire la manivela de ajuste del ángulo del bisel hasta que la hoja se incline hacia la derecha en la mayor medida posible.
- Enganche la palanca de fijación de bisel y examine de ángulo de hoja.
- Repita los pasos anteriores para reajustar y volver a verificar el ángulo de la hoja según sea necesario.

Una vez que la hoja forme un ángulo recto con la mesa (bisel de 0°):

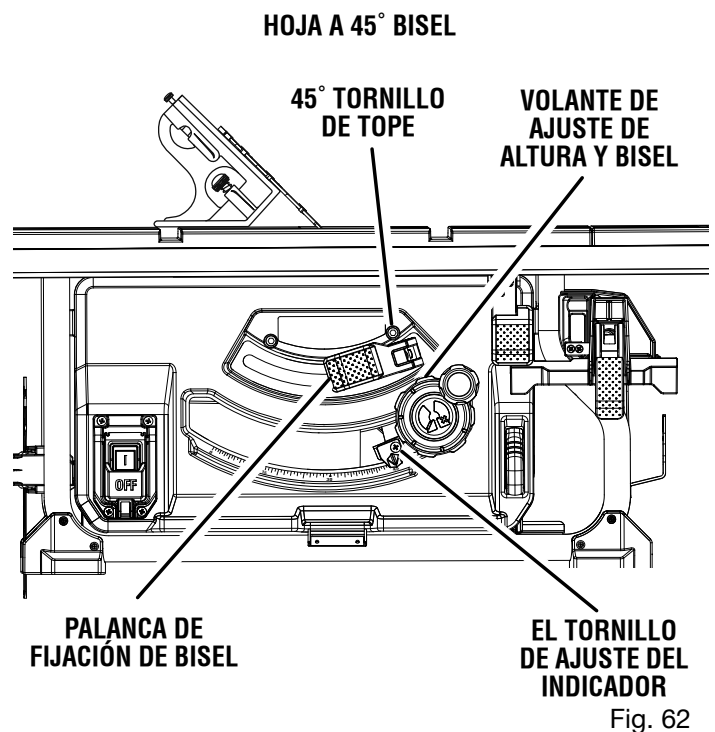
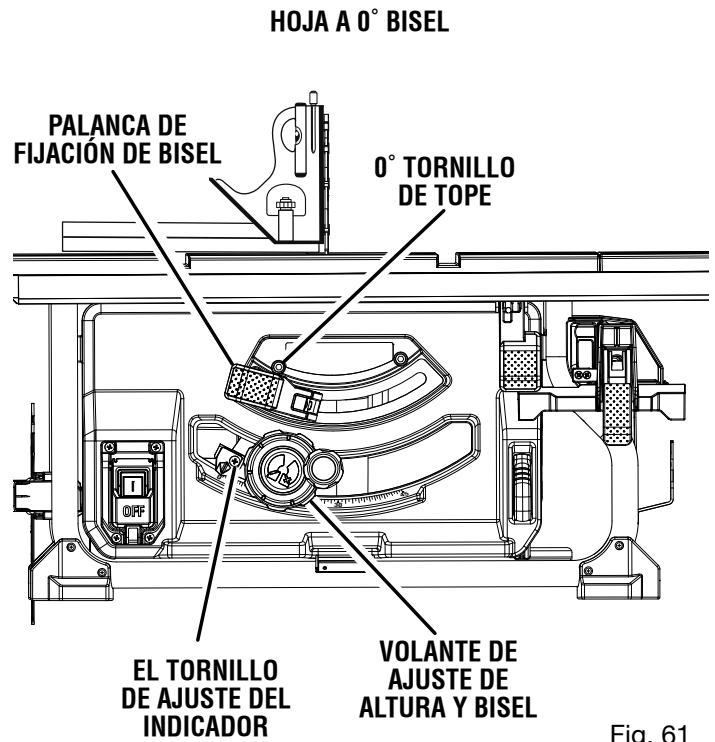
- Verifique el indicador de bisel.
- Si el indicador no marca 0° en la escala de bisel, afloje el tornillo de ajuste del indicador y ajuste el indicador.
- Vuelva a apretar el tornillo.

Para verificar la cuadratura (bisel de 45°):

- Suelte la palanca de fijación de bisel.
- Gire la manivela de ajuste del ángulo de bisel hasta que la hoja se incline hacia la izquierda en la mayor medida posible.
- Enganche la palanca de fijación de bisel.
- Coloque la escuadra contra la hoja. Asegúrese de que la escuadra no esté tocando la punta de uno de los dientes de la sierra.

Si la hoja no forma un ángulo exacto de 45°:

- Suelte la palanca de fijación de bisel.
- Gire la volante de ajuste de altura y bisel hasta que el indicador de bisel indique 35°-40°.
- Gire 45° tornillo de tope 1/4 vuelta a la derecha o a la izquierda.
- Gire la manivela de ajuste del ángulo de bisel hasta que la hoja se incline hacia la izquierda en la mayor medida posible.



- Enganche la palanca de fijación de bisel y examine de ángulo de hoja.
- Repita los pasos anteriores para reajustar y volver a verificar el ángulo de la hoja según sea necesario.

AJUSTES

Una vez que la hoja forme un ángulo de 45° con respecto a la mesa:

- Controle el indicador de bisel.
- Si el indicador no está apuntando a la marca de 45° en la escala del bisel, afloje el tornillo de ajuste del indicador y ajuste el indicador.
- Vuelva a apretar los tornillos.

Cuando todos los ajustes son completos:

- Instalar el protección de la hoja y trinquetes anticontragolpe.

AJUSTE DEL GUÍA DE INGLETE

Vea la figura 63.

Puede fijar el guía de inglete a 0° y a más o menos 45° con la clavija de parada del guía de inglete y los tornillos de parada ajustable.

NOTA: El guía de inglete provee una buena precisión en los cortes en ángulo. Si las tolerancias son muy pequeñas, se recomienda hacer cortes de prueba.

- Afloje la perilla y tire hacia afuera de la clavija de parada para hacer girar la base del guía de inglete hasta pasar los tornillos de parada.
- Afloje la contratuerca del tornillo de parada a 0° en la clavija de parada con una llave de 8 mm.
- Coloque una escuadra de combinación contra la varilla del guía de inglete y la base del calibrador de inglete.
- Si la varilla no está a escuadra, afloje la perilla, ajuste la varilla, y apriete la perilla.
- Ajuste el tornillo de parada a 0° hasta que descansa contra la clavija de parada.
- Ajuste los tornillos de parada a más y menos 45° utilizando un triángulo de 45° y los pasos anteriores.

VERIFICACION DEL ALINEAMIENTO DE LA GUÍA DE CORTE AL HILO EN RELACION A LA HOJA

Vea las figuras 64 a 66.

La guía de corte al hilo debe estar paralela a la hoja de la sierra y a las ranuras de la guía de ingletes.

ADVERTENCIA:

Cualquier desalineación de la guía de corte al hilo puede causar contragolpes y atoramientos. Para disminuir el riesgo de lesiones, siempre mantenga bien alineada la guía de corte al hilo.

- Desconecte la sierra.
- Retirar la protección de la hoja, el cuchilla separadora y trinquetes anticontragolpe. Eleve lo más posible la hoja con un giro a la derecha el volante de ajuste de altura y bisel.
- Verifique que la hoja esté paralela a la ranura del calibre de inglete, tal como se describe en la sección **Ajuste de la hoja paralela a la ranura del calibre de inglete (remoción del talón)** en *Operaciones*.
- Mueva la guía baja en la guía de corte al hilo para que quede orientada hacia fuera con respecto a la hoja e instale la guía de corte al hilo.

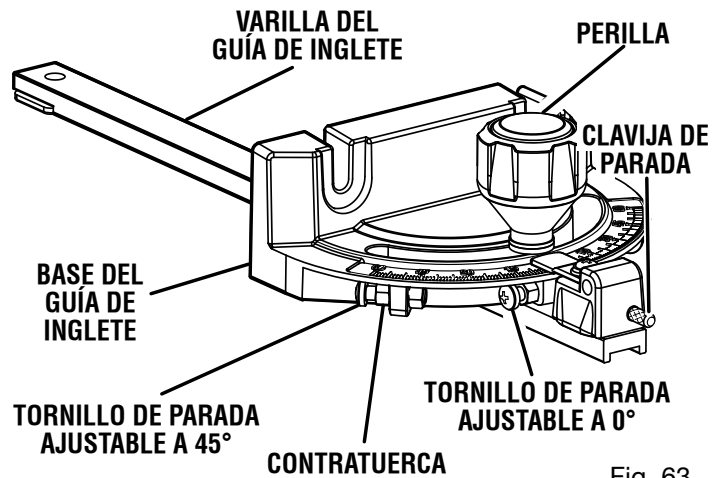


Fig. 63

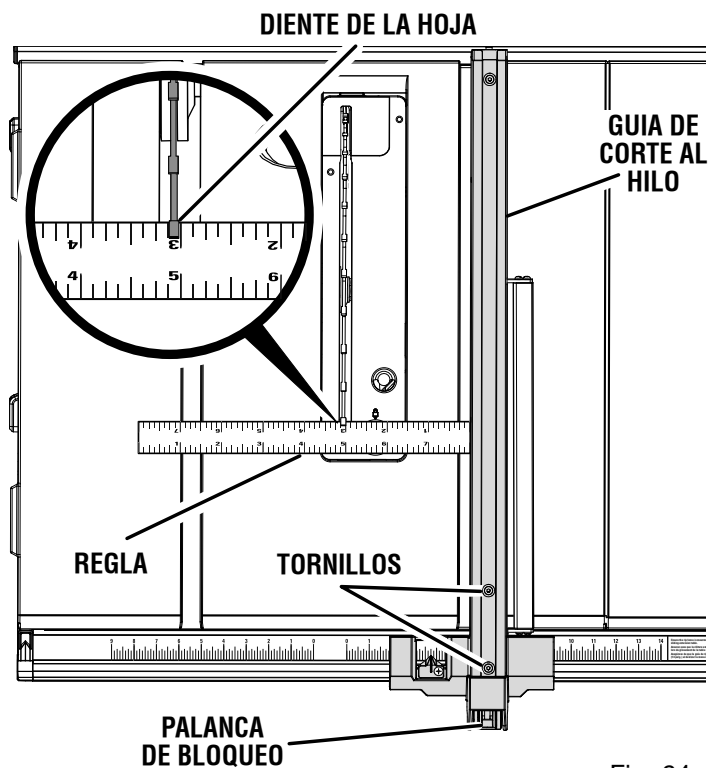


Fig. 64

- Mueva la guía de corte cerca de la hoja de la sierra (unos 76,2 mm [3 pulg.] de distancia) y fíjela con la palanca de bloqueo.
- Marque un lado de uno de los dientes de la parte frontal de la hoja. Con una regla, mida la distancia desde la cara interna del diente de la hoja a la cara interna de la guía de corte.
NOTA: Para una mayor precisión, coloque el diente marcado de la hoja sobre la regla.
- Gire la hoja de manera que el diente marcado quede atrás.
- Mueva la regla a la parte posterior y mida nuevamente la distancia desde la cara interna del diente de la hoja a la cara interna de la guía de corte. Si las distancias son iguales, la hoja y la guía de corte están paralelas.

AJUSTES

Si ambas distancias medidas son diferentes:

- Afloje los dos tornillos ubicados en la parte superior de la guía de corte al hilo.
- Ajuste la guía de corte.
- Apriete de forma alternada los tornillos. Vuelva a revisar la alineación.
- Repita los pasos necesarios hasta que quede correctamente alineada la guía de corte al hilo.
- Vuelva a colocar el protección de la hoja, el cuchilla separadora y trinquetes anticontragolpe.

Para verificar la alineación de la guía baja:

- Desconecte la sierra.
- Verifique que la hoja esté paralela a la ranura del calibre de inglete, tal como se describe en la sección **Ajuste de la hoja paralela a la ranura del calibre de inglete (remoción del talón)** en *Operaciones*.
- Verifique que la guía de corte al hilo esté en posición paralela a la hoja de la sierra, como se describió anteriormente en esta sección.
- Desmonte la guía de corte al hilo.
- Gire la guía de corte al hilo hacia un costado.
- Coloque la guía sobre una superficie plana y nivelada de manera que la parte frontal de la guía cuelgue sobre el borde.
- Coloque una escuadra combinada contra la guía de corte al hilo y la guía baja, como se muestra en la imagen.
- Mida la distancia que hay desde el lado de la guía de corte al hilo hasta el borde exterior de la guía baja.
- Mueva la escuadra combinada y mida la distancia en el extremo opuesto de la guía baja.

NOTA: Si las distancias son las mismas, gire la guía baja hacia el otro lado de la guía de corte al hilo, dé vuelta la guía de corte al hilo, y vuelva a verificar la alineación.

Si ambas distancias medidas son diferentes:

- Afloje pero **no retirar** los tornillos Phillips de la parte delantera y trasera de la guía baja.

NOTA: Después de aflojar los tornillos, puede ajustar la posición de la guía baja con la mano.

- Ajuste los tornillos Phillips.
- Vuelva a verificar la alineación.
- Repita los pasos según sea necesario hasta que la guía baja esté alineada correctamente.
- Vuelva a colocar el protección de la hoja, el cuchilla separadora y trinquetes anticontragolpe.
- Haga dos o tres cortes de prueba en restos de madera. Si los cortes no están a escuadra, repita el proceso.

VERIFICACION LA TIRANTEZ DEL PALANCA DE BLOQUEO DE LA GUÍA DE CORTE AL HILO

Vea la figura 67.

La palanca de bloqueo de la guía de corte al hilo debe fijar firmemente ésta contra los rieles delantero y trasero. La palanca no debe presentar ninguna dificultad para bajarse y fijarse. Para asegurar un adecuado ajuste de la palanca de bloqueo de la guía:

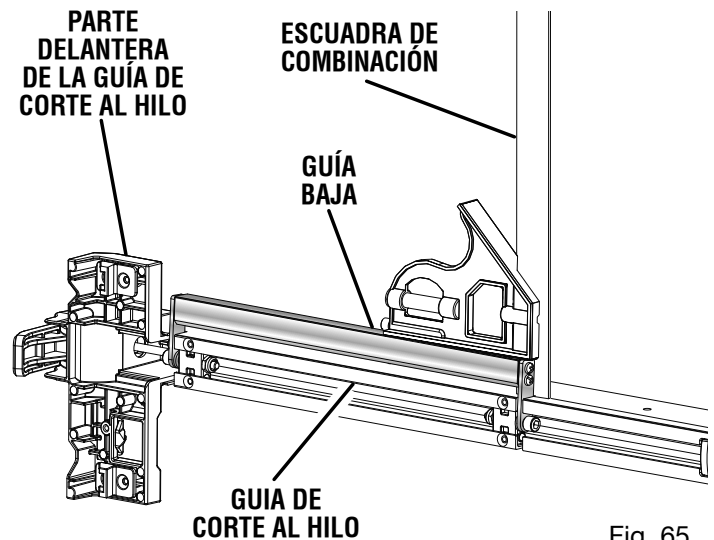


Fig. 65

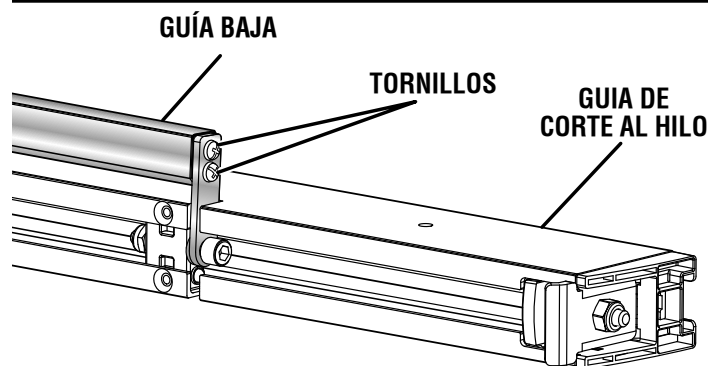


Fig. 66

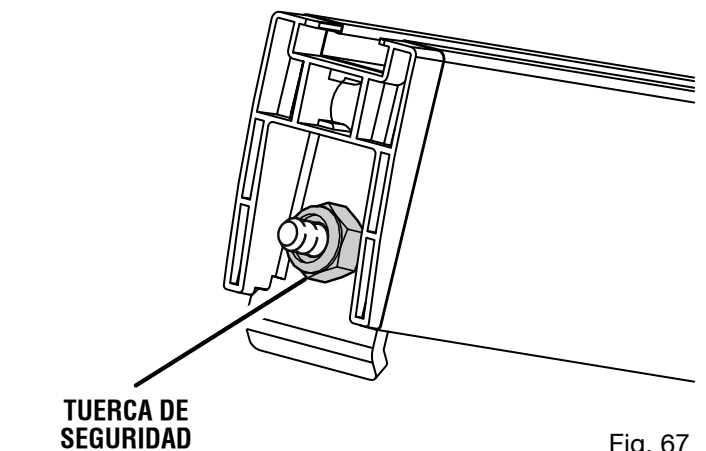


Fig. 67

- Asegurar la guía de corte al hilo seguro el lugar.
- Intente de mover la guía de corte al hilo del lado a lado. Si la guía se mueve, ajuste la tuerca de seguridad 1/4 de vuelta por vez y vuelva a verificar el movimiento después de cada ajuste.
- Teniendo la guía de corte al hilo bloqueada con la palanca, vuelva a revisar para ver si dicha guía está paralela a la hoja y efectúe los ajustes necesarios.

NOTA: Si resulta difícil o demasiado fácil bloquear y desbloquear la palanca de bloqueo, ajuste la tuerca de seguridad hasta que la palanca quede correctamente tensionada y, luego, repita los pasos anteriores.

AJUSTES

PARA AJUSTAR LA PALANCA DE FIJACIÓN DE BISEL

Vea la figura 68.

- Suelte la palanca de fijación de bisel y la hoja de la sierra del bisel a 45°.
- Empuje la palanca de fijación de bisel para fijar la hoja en su lugar.
- Con fuerza moderada, intente mover el volante de ajuste de altura y bisel hacia el bisel a 0°.
- Si no se puede mover el volante de ajuste de altura y bisel, no es necesario hacer ajustes. Si se puede mover el volante, ajuste la tuerca de seguridad de bisel rotándola 1/4 de vuelta.
- Repita los pasos señalados arriba según sea necesario.
- Suelte la palanca de fijación de bisel y mueva el volante de ajuste de altura y bisel nuevamente a 0°.

CONTROL DE LA EXTENSIÓN DE LA MESA

Vea la figura 69.

Asegure la extensión deslizante de la mesa. La extensión deslizante de la mesa no se debe mover mientras está asegurada. Si la extensión se mueve:

- Suba la palanca de fijación de la extensión de la mesa.
- Busque el acoplamiento hexagonal ubicado debajo de la mesa en la parte posterior de la sierra.
- Afloje las tuercas de seguridad hexagonal.
- Gire el acoplamiento hexagonal hacia la izquierda.
- Asegure la traba de la extensión de la mesa. Presione y jale la extensión deslizante de la mesa.
- Vuelva a ajustar el acoplamiento hexagonal si es necesario.
- Apriete las tuercas de seguridad hexagonal contra el acoplamiento.

PARA AJUSTAR LA ALTURA DE LA EXTENSIÓN DE LA MESA

Vea la figura 70.

- Asegure la palanca de extensión de la mesa.
- Afloje las cuatro tuercas debajo de la extensión deslizante de la mesa.

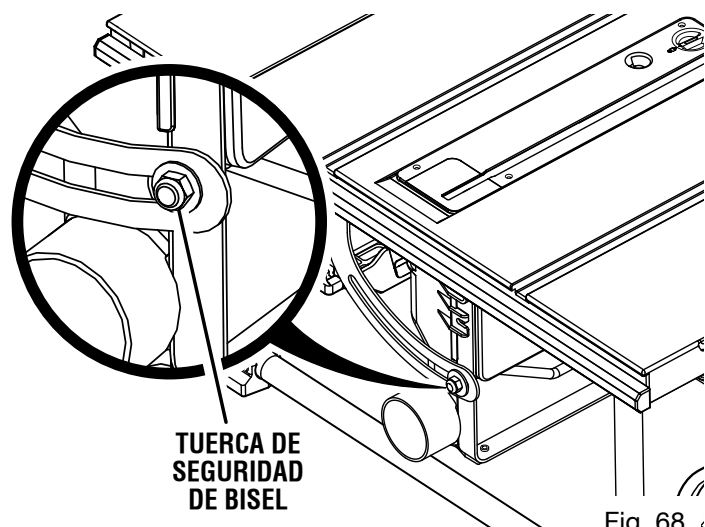


Fig. 68

- Use una escuadra para asegurarse de que la parte superior de la extensión deslizante de la mesa esté a la misma altura que el cuerpo principal de la mesa.
- Apriete las cuatro tuercas hexagonales. Vuelva a controlar y a ajustar si es necesario.

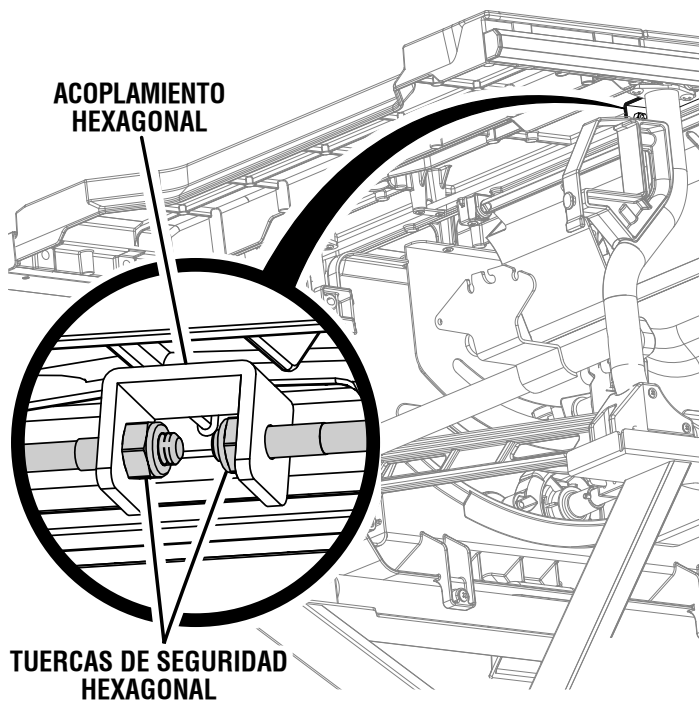


Fig. 69

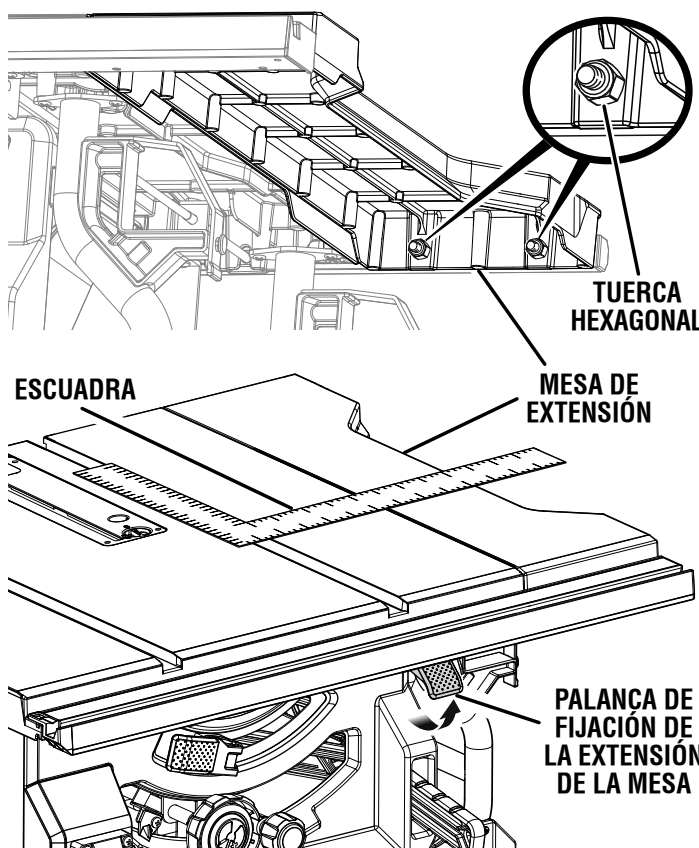


Fig. 70

MANTENIMIENTO

⚠️ ADVERTENCIA:

Al dar servicio a la unidad, sólo utilice piezas de repuesto idénticas. El empleo de piezas diferentes puede presentar un peligro o causar daños al producto.

⚠️ ADVERTENCIA:

Siempre póngase protección ocular con la marca de cumplimiento de la norma ANSI Z87.1. Si la operación genera mucho polvo, también póngase una mascarilla contra el polvo.

⚠️ ADVERTENCIA:

Antes de efectuar cualquier mantenimiento, asegúrese de que la herramienta esté desconectada de la fuente de alimentación y que el botón superior del interruptor no esté presionado. El incumplimiento de esta advertencia puede causar una lesión personal grave.

MANTENIMIENTO GENERAL

Evite el empleo de solventes al limpiar piezas de plástico. La mayor parte de los plásticos son susceptibles a diferentes tipos de solventes comerciales y pueden dañarse. Utilice paños limpios para eliminar la suciedad, polvo, aceite, grasa, etc.

⚠️ ADVERTENCIA:

No permita en ningún momento que fluidos para frenos, gasolina, productos a base de petróleo, aceites penetrantes, etc., lleguen a tocar las piezas de plástico. Las sustancias químicas pueden dañar, debilitar o destruir el plástico, lo cual a su vez puede producir lesiones corporales serias.

- Revise periódicamente el apriete y el estado físico de todas las mordazas, tuercas, pernos y tornillos. Asegúrese de que esté en buen estado y en su posición la placa de la garganta.
- Verifique el conjunto de la protección de la hoja para determinar si la instalación y los espacios son adecuados, además de que haya movimiento libre. Algunos tipos de madera pueden causar la acumulación de polvo, alquitrán o resina en los componentes, así que recomendamos el mantenimiento regular y la limpieza. El limpiador que utilice debe ser apropiado para usar en partes plásticas.
- **Limpie las piezas de plástico solamente con un paño suave húmedo. NO** use ningún solvente en aerosol o a base de petróleo.
- Proteja la hoja limpiando el aserrín que cae bajo la mesa y entre los dientes. Limpie los dientes de la sierra con un solvente recomendado para eliminar goma y resina.
- Para mantener las superficies de las mesas, de las guías y de los rieles en buen estado, aplique cera y luego lustrelos para que funcionen con suavidad, encérelos periódicamente. **No** encere la superficie de trabajo de la guía de inglete, para evitar que el trabajo se deslice cuando está siendo cortado.

LUBRICACION

Los cojinetes del motor de esta sierra han sido empaquetados en la fábrica con la debida lubricación.

- Limpie las roscas de los tornillos y tuercas con un solvente recomendado para eliminar goma y resina.
- Lubrique las roscas de tornillos y tuercas, así como los puntos de desgaste (incluyendo los del conjunto de la protección de la hoja y la guía de ingletes).

CÓMO LIMPIAR LAS PLACAS DE LA PALANCA DE BLOQUEO DE LA CUCHILLA SEPARADORA

Vea la figura 71.

La palanca de bloqueo de la cuchilla separadora podría resultar difícil de bloquear de forma segura después del uso prolongado, debido a la acumulación de aserrín o suciedad en las placas.

- Desconecte la sierra.
- Desbloquee la palanca para quitar la cuchilla separadora.
- Limpie el área con un trapo limpio y seco, o use aire comprimido para quitar la suciedad.
- Limpie la cuchilla separadora.
- Vuelva a colocar la cuchilla separadora y gire la palanca para bloquear la cuchilla en su lugar.

NOTA: Si resulta difícil mover la palanca de bloqueo o esta no se cierra completamente después de limpiar las placas, comuníquese con el servicio de atención al cliente.

⚠️ ADVERTENCIA:

No use la sierra si la palanca de seguridad no cierra totalmente. Si lo hace, podría sufrir lesiones personales graves.

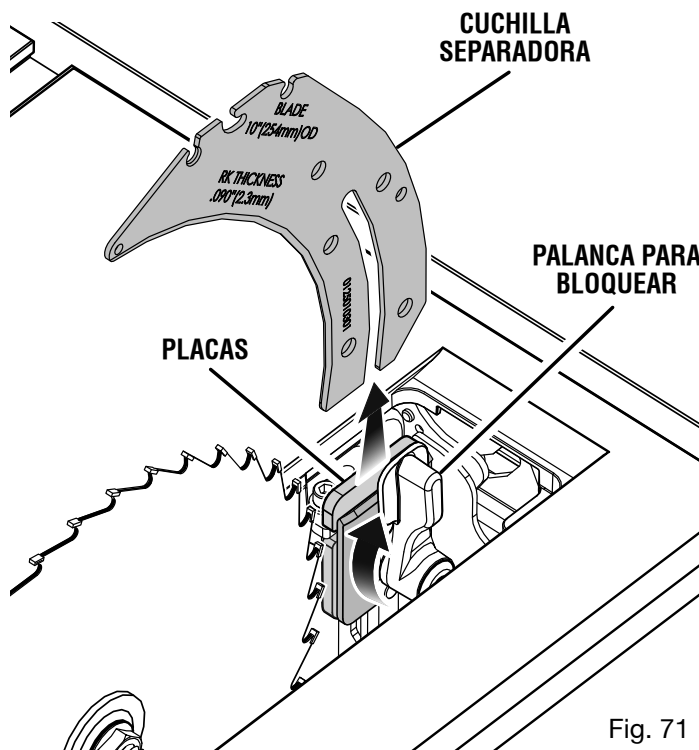


Fig. 71

MANTENIMIENTO

LIMPIEZA DEL VERTEDERO DE ASERRÍN

Vea la figura 72.

Esta sierra incluye un vertedero de aserrín práctico para descargar el aserrín. Puede conectar una aspiradora común al vertedero de aserrín, ubicado debajo de la parte trasera de la sierra.

Durante períodos de uso prolongado, el vertedero de aserrín debe vaciarse y limpiarse para evitar la acumulación de aserrín y para asegurarse de que no haya obstrucciones u otros recortes pequeños que puedan haber caído por la abertura de la placa de la garganta, ya que esto podría disminuir rendimiento.

Para limpiar el vertedero de aserrín:

- Desconecte la sierra.
- Afloje los tornillos mariposa.
- Levante el vertedero de aserrín ligeramente y aléjelo de la hoja.
- Limpie el aserrín y las astillas de madera en el vertedero de aserrín.

Para volver a instalar la cubierta del hoja:

- Inclínalo de vertedero de aserrín y deslice la orejeta bajo la ranura (A).
- Enganche el lado derecho de vertedero de aserrín bajo el tornillo (B).
- Asegúrelo en su lugar con tornillo de mariposa (C).

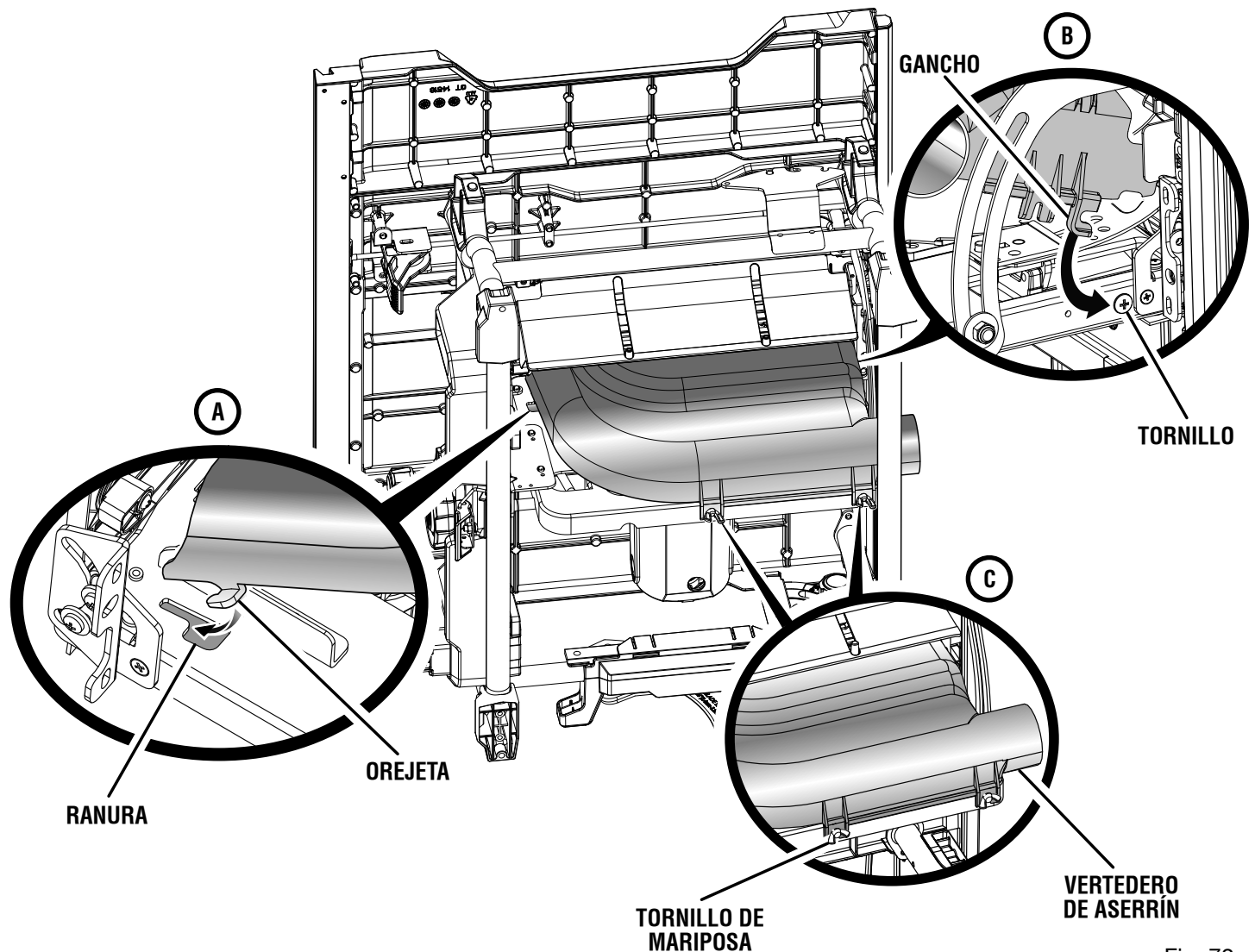


Fig. 72

MANTENIMIENTO

REEMPLAZO DE LAS ESCOBILLAS

Vea la figura 73.

- Desconecte la sierra.
- Baje completamente la hoja y el bisel a 45°. Asegure la hoja.
- Ponga la sierra boca abajo.
- Retire las tapas de las escobillas con un destornillador.
NOTA: El conjunto de cada escobilla tiene un resorte y salta al retirarse la tapa de la escobilla.
- Retire los conjuntos de las escobillas y verifique el grado de desgaste.
- Reemplace ambas escobillas cuando una u otra tenga menos de 6,35 mm (1/4 pulg.) de carbón restante. **No** reemplace un solo lado sin reemplazar el otro.
- Vuelva a armar la unidad usando nuevos conjuntos de escobillas; para ello, siga en sentido inverso los pasos enumerados arriba. Asegúrese de que la curvatura de las escobillas corresponda a la del motor y de que las escobillas se muevan libremente en los tubos de las mismas.
- Apriete firmemente las tapas de las dos escobillas. **No** apriete excesivamente.

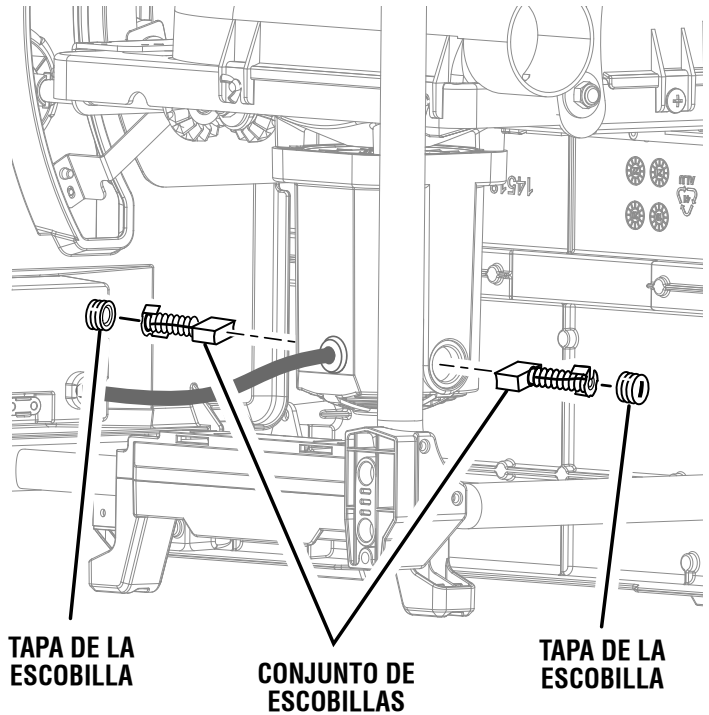


Fig. 73

ACCESORIOS

Busque estos accesorios donde adquirió este producto o llame al 1-866-539-1710:

- Placa de ranurar para la garganta 089240028701
- Soporte portátil para piezas de trabajo Flip Top AC9934

⚠ ADVERTENCIA:

Arriba se señalan los aditamentos y accesorios disponibles para usarse con esta herramienta. No utilice ningún aditamento o accesorio no recomendado por el fabricante de esta herramienta. El empleo de aditamentos o accesorios no recomendados puede causar lesiones serias.

CORRECCIÓN DE PROBLEMAS

Problema	Causa	Solución
Vibración excesiva.	Está desequilibrada la hoja. Está dañada la hoja. No está montada firmemente la hoja. Está desigual la superficie de trabajo. Está combada la hoja.	Reemplace la hoja. Reemplace la hoja. Apriete todas las piezas. Coloque la pieza de trabajo sobre una superficie plana. Reemplace la hoja.
No se desplaza con suavidad la guía de corte al hilo.	No está montada correctamente la guía de corte al hilo. Están sucios o pegajosos los rieles. Tornillo de la mordaza desajustado.	Vuelva a montar la guía de corte al hilo. Limpie y encere los rieles. Ajuste tornillo de la mordaza.

CORRECCIÓN DE PROBLEMAS

Problema	Causa	Solución
La guía de corte al hilo no queda bien bloqueada.	Tornillo de la mordaza desajustado.	Ajuste tornillo de la mordaza.
La pieza de trabajo se quema o atora durante el corte.	Está desafilada la hoja de corte. La hoja está taloneando. Está empujándose demasiado rápido la pieza de trabajo. Está desalineada la guía de corte al hilo. Está desalineado el cuchilla separadora. Está combada la pieza de trabajo.	Reemplace o afile la hoja. Vea el apartado Ajuste de la hoja paralela a la ranura del calibre de inglete (remoción del talón) , en la sección <i>Functionamiento</i> . Disminuya la velocidad de avance. Alinee la guía de corte al hilo. Vea el apartado Para revisar y alinear cuchilla separadora y la hoja , en la sección <i>Armado</i> . Reacomode la pieza de trabajo. Siempre corte con el lado convexo hacia la superficie de la mesa.
La madera se separa de la guía de corte al hilo al efectuarse este tipo de corte.	Está desalineada la guía de corte al hilo. No está debidamente alineada o triscada la hoja.	Revise y ajuste la guía de corte al hilo. Afile o trisque de nuevo la hoja.
La sierra no efectúa cortes a 0° ó 45°.	No están debidamente ajustados topes de ángulo de biselado. Está desalineada la guía de corte a inglete (para los cortes a inglete).	Vea el apartado Para fijar el indicador y topes de ángulo de biselado en 0° y 45° (Escuadrar la hoja) , en la sección <i>Ajustes</i> . Vea el apartado Para ajustar la guía de ingletes en la sección <i>Ajustes</i> .
Es difícil girar la volante de ajuste de altura/bisel.	Los engranajes o el poste del tornillo dentro de la sierra están obstruidos con aserrín.	Limpie los engranajes o el poste del tornillo.
La sierra no se pone en marcha.	El cordón del motor o el cordón mural no está enchufado. Reemplace el fusible del circuito. El disyuntor está disparado. El cordón o el interruptor está dañado.	Enchufe el cordón del motor o el cordón mural. El fusible del circuito está quemado. Resposicione el disyuntor. Reemplace el cordón o el interruptor en un centro de servicio calificado.
La hoja hace cortes deficientes.	La hoja hace cortes deficientes. La hoja es del tipo incorrecto para el corte que se está efectuando. La hoja está instalada al revés.	Limpie, afile o reemplace la hoja. Reemplace con el tipo correcto. Vuelva a instalar la hoja.
La hoja no desciende cuando se gira la volante de ajuste de altura/bisel.	El vertedero de aserrín está sucio.	Vea limpiando instrucciones en la sección de <i>Mantenimiento</i> .
El motor trabaja mucho en los cortes al hilo.	La hoja no es adecuada para cortes al hilo de la madera.	Cambie la hoja; generalmente la hoja para cortes al hilo tiene menos dientes.
La hoja se mueve durante varios segundos después de apagar la sierra.	El freno eléctrico podría no estar funcionando correctamente.	Comuníquese con el servicio de atención al cliente.

GARANTÍA

HERRAMIENTAS ELÉCTRICAS DE MANO Y ESTACIONARIAS RIDGID® —

GARANTÍA DE SERVICIO LIMITADA DE TRES AÑOS

Debe presentarse prueba de la compra al solicitar servicio al amparo de la garantía.

Se limita a las herramientas de mano y estacionarias RIDGID® adquiridas a partir de 1/Feb./04. Este producto está manufacturado por One World Technologies, Inc., La licencia de uso de la marca comercial es otorgada por RIDGID, Inc. Toda comunicación en relación con la garantía debe dirigirse a One World Technologies, Inc., a la atención de: Servicio Técnico de Herramientas Eléctricas de Mano y Estacionarias RIDGID, al (línea gratuita) 1-866-539-1710.

POLÍTICA DE GARANTÍA DE SATISFACCIÓN DE 90 DÍAS

Durante los primeros 90 días a partir de la fecha de compra, si no está satisfecho con el desempeño de esta herramienta de mano o estacionaria RIDGID® por cualquier razón, puede devolverla al establecimiento donde la adquirió, donde se le proporcionará un reembolso total o un intercambio. Para recibir una herramienta de reemplazo, debe presentar documentación de prueba de la compra, y devolver el equipo original empaquetado con el producto original. La herramienta de reemplazo queda cubierta por la garantía limitada por el resto del período de garantía de servicio de 3 AÑOS.

LO QUE ESTÁ CUBIERTO POR LA GARANTÍA DE SERVICIO LIMITADA DE 3 AÑOS

Esta garantía de las herramientas de mano y estacionarias RIDGID® cubre todos los defectos en materiales y mano de obra, así como piezas desgastables como escobillas, portabrocas, motores, interruptores, cordones eléctricos, engranajes e incluso las pilas inalámbricas de esta herramienta RIDGID® por tres años a partir de la fecha de compra de la herramienta. Las garantías de otros productos RIDGID® pueden ser diferentes.

FORMA DE OBTENER SERVICIO

Para obtener servicio para esta herramienta RIDGID®, debe devolverla, ya sea con el flete pagado por anticipado, o llevarla a un centro de servicio autorizado para herramientas eléctricas de mano y estacionarias de la marca RIDGID®. Para obtener información sobre el centro de servicio autorizado más cercano a usted, le suplicamos llamar al (línea gratuita) 1-866-539-1710 o visitar el sitio electrónico de RIDGID® en la red mundial, powertools.ridgid.com. Al solicitar servicio al amparo de la garantía, debe presentar el recibo fechado de venta. El centro de servicio autorizado reparará toda mano de obra deficiente del producto, y reparará o reemplazará cualquier pieza cubierta en la garantía, a nuestra sola discreción, sin ningún cargo al consumidor.

LO QUE NO ESTÁ CUBIERTO

Esta garantía se ofrece exclusivamente al comprador original al menudeo y no puede transferirse. Esta garantía sólo cubre defectos que surjan en el uso normal de la herramienta y no cubre ningún malfuncionamiento, falla o defecto producido por el uso indebido, maltrato, negligencia, alteración, modificación o reparación efectuada por terceros diferentes de los centros de servicio autorizados para herramientas eléctricas de mano y estacionarias de la marca RIDGID®. No están cubiertos los accesorios suministrados con la herramienta, como las hojas, brocas, papel de lija, etc.

RIDGID, INC. Y ONE WORLD TECHNOLOGIES, INC. NO OFRECEN NINGUNA GARANTÍA, DECLARACIÓN O PROMESA EN RELACIÓN CON LA CALIDAD O EL DESEMPEÑO DE SUS HERRAMIENTAS ELÉCTRICAS MÁS QUE LAS SEÑALADAS ESPECÍFICAMENTE EN ESTA GARANTÍA.

LIMITACIONES ADICIONALES

Hasta donde lo permiten las leyes relevantes, se desconoce toda garantía implícita, incluidas las GARANTÍAS DE COMERCIABILIDAD o IDONEIDAD PARA UN USO EN PARTICULAR. Toda garantía implícita, incluidas las garantías de comerciabilidad o idoneidad para un uso en particular, que no pueda desconocerse según las leyes estatales, está limitada a tres años a partir de la fecha de compra. One World Technologies, Inc. y RIDGID, Inc. no son responsables de daños directos, indirectos, incidentales o consecuentes. Algunos estados no permiten limitaciones en cuanto al período de vigencia de una garantía implícita y/o no permiten exclusiones o limitaciones de daños incidentales o consecuentes, por lo tanto es posible que esta limitación no se aplique en el caso de usted. Esta garantía le confiere derechos legales específicos, y es posible que usted goce de otros derechos, los cuales pueden variar de estado a estado.

One World Technologies, Inc.

P.O. Box 1427

Anderson, SC 29622

OPERATOR'S MANUAL

MANUEL D'UTILISATION

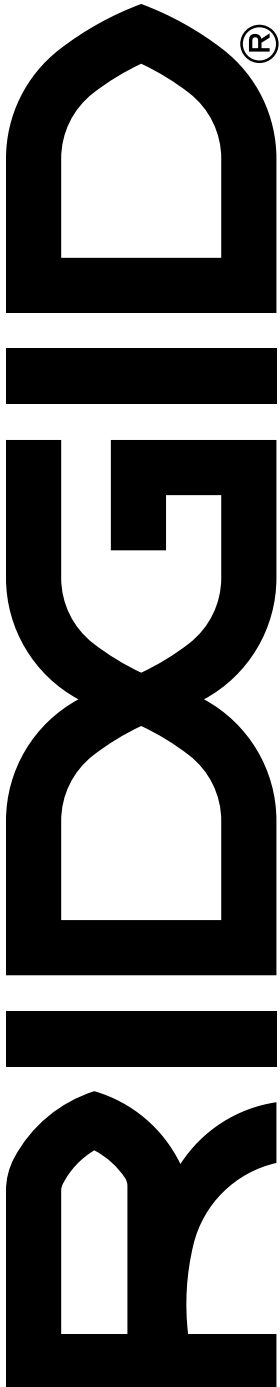
MANUAL DEL OPERADOR

10 in. TABLE SAW

SCIE À TABLE de 254 mm (10 po)

SIERRA DE MESA de 254 mm (10 pulg.)

R4518/R4518T



Customer Service Information:

For parts or service, do not return this product to the store. Contact your nearest RIDGID® authorized service center. Be sure to provide all relevant information when you call or visit. For the location of the authorized service center nearest you, please call 1-866-539-1710 or visit us online at powertools.ridgid.com.

MODEL NO.* _____ SERIAL NO. _____

**Model number on product may have additional letters at the end. These letters designate manufacturing information and should be provided when calling for service.*

Service après-vente :

Pour acheter des pièces ou pour un dépannage, ne pas retourner ce produit au magasin. Contacter le centre de réparations RIDGID® agréé le plus proche. Veiller à fournir toutes les informations pertinentes lors de tout appel téléphonique ou visite. Pour obtenir l'adresse du centre de réparations agréé le plus proche, téléphoner au 1-866-539-1710 ou visiter notre site powertools.ridgid.com.

NO. DE MODÈLE* _____ NO. DE SÉRIE _____

**Le numéro de modèle sur le produit peut contenir des lettres supplémentaires à la fin. Ces lettres désignent les informations du fabricant et doivent être fournies lors d'un appel de demande de service.*

Información sobre servicio al consumidor:

Para piezas de repuesto o servicio, no devuelva este producto a la tienda. Comuníquese con el centro de servicio autorizado de productos RIDGID® de su preferencia. Asegúrese de proporcionar todos los datos pertinentes al llamar o al presentarse personalmente. Para obtener información sobre el centro de servicio autorizado más cercano a usted, le suplicamos llamar al 1-866-539-1710 o visitar nuestro sitio en la red mundial, en la dirección powertools.ridgid.com.

NÚM. DE MODELO* _____ NÚM. DE SERIE _____

**El número de modelo que figura en el producto podría tener letras adicionales al final. Estas designan información de fabricación y deben suministrarse cuando llame para obtener asistencia o servicio.*

ONE WORLD TECHNOLOGIES, INC.

P.O. Box 1427

Anderson, SC 29622 USA

1-866-539-1710 ■ powertools.ridgid.com

RIDGID is a registered trademark of RIDGID, Inc., used under license.