

Müller

Ultra Compact Portable Countertop Dishwasher

MODEL: DW-600



USER MANUAL

Your satisfaction is guaranteed. If you are not completely satisfied with our Ultra Compact and the results it brings, we insist that you let us know. We'll help you make the countertop dishwasher work for you, or we'll refund your money.

CONTENTS

IMPORTANT SAFETY INSTRUCTIONS	1
Important safeguards.....	1
Electrical requirements.....	3
PARTS AND FEATURES	4
Packaging content.....	4
Features.....	4
Parts.....	5
INSTALLATION	6
Unpacking and proper placement.....	7
Built-in installation diagram.....	7
Countertop layout diagrams.....	7
Inlet hose connection.....	8
Drain hose connection.....	10
Level and secure the dishwasher.....	10
USING YOUR ULTRA COMPACT	11
Prior to use.....	11
Loading the dishwasher.....	11
Detergent dispenser.....	13
Detergents.....	13
Detergent tablets/pods.....	13
Filling the Rinse aid dispenser.....	14
Operating the dishwasher.....	14
Wash cycle table.....	15
Child lock.....	15
Delay function.....	15
CARE AND MAINTENANCE	16
How to maintain your dishwasher.....	16
Cleaning the dishwasher.....	16
Cleaning the door.....	16
Filter system.....	16
Cleaning the Spray arms.....	17
Protect against freezing.....	17
Preparation for storage.....	18
Moving the dishwasher.....	18
TROUBLESHOOTING	18
TECHNICAL SPECIFICATIONS	21
CIRCUIT DIAGRAM	21

IMPORTANT SAFETY INSTRUCTIONS

Inside you will find helpful information on how to use and maintain your dishwasher properly. Following these guidelines can save you a great deal of time and money over the life of your dishwasher. Additional answers to common problems can be found in the chart of Troubleshooting Tips.

WARNING! To prevent the risk of fire, electric shock, or injury to user and other people, the following safety and electrical instructions must be followed when using this appliance.

WARNING! DO NOT USE THIS APPLIANCE FOR ANY OTHER PURPOSE THAN ITS INTENDED USE. FAILURE TO ADHERE TO THESE INSTRUCTIONS AND PRECAUTIONS WILL VOID THE MANUFACTURER'S WARRANTY.

IMPORTANT SAFEGUARDS

READ THIS MANUAL AND ALL INSTRUCTIONS BEFORE USE.

- For household use. Do not use this appliance for commercial dishwashing purposes.

- **This appliance is not intended for use by persons (including children) with reduced physical, sensory or mental capabilities, or lack of experience and knowledge, unless they have been given supervision or instruction concerning use of the appliance by a person responsible for their safety. Children should be supervised to ensure that they do not play with the appliance.**

- Please keep the appliance at room temperature for 8 hours after receiving the product in winter.

- Remove the cable ties on the drainage pipe and power cord carefully during unpacking. Sharp scissors might burst the pipe or cord and cause leakage.

- This appliance must be properly installed in accordance with the installation instructions before its use.

- This appliance must be connected to a proper electrical outlet with the correct electrical supply.

- The installation position of the drainage pipe CANNOT exceed 15.5in / 40cm higher than the top of the appliance, which would cause poor drainage, electrical leakage, and water leakage.

- Proper grounding must be ensured to reduce the risk of shock and fire. DO NOT CUT OR REMOVE THE GROUNDING PLUG. If you do not have a three-prong electric receptacle outlet in the wall, have a certified electrician install the proper receptacle. The wall receptacle MUST be properly grounded.

- If the power cord is replaced, replacement work must be performed by authorized personnel only.

- Position the appliance in the desired location. Confirm that the machine has been leveled.
- Do not use extension cords or adapters to connect the unit to any electrical power source.
- Do not unplug your appliance by pulling on the power cord. Always grasp the plug firmly and pull it straight out from the outlet.
- Do not operate your appliance in the presence of explosive fumes.
- Do not add or mix any flammable or explosive substances to the dishwasher to wash.
- Do not operate your appliance when parts are missing or broken.
- Do not abuse, sit on, or stand on the door or the dishwasher rack.
- Do not put anything else on either side of the dishwasher. The openings must not be obstructed.
- Use specialized detergents or wetting agents recommended for use in a dishwasher and keep them out of reach of children. Do not use washing-up liquid, washing powder, hand sanitizer soap or other detergents that are not specialized for a dishwasher.
- Do not wash plastic items unless they are marked “dishwasher safe” or the equivalent. For plastic items without such markings, check the manufacturer’s recommendations.
- Knives and other sharp utensils with sharp points must be loaded in the basket with their points facing downwards or placed in a horizontal position.
- When loading items to be washed, carefully position sharp items to prevent any damage to the door seal.
- Utensils will be hot after washing. Allow 30 minutes to cool off before taking out.
- Do not operate this appliance unless all enclosure panels are properly in place.
- Do not tamper with controls.
- Do not allow children to play in or on the appliance. To reduce risk of injury, close supervision and observation of children is needed around the dishwasher.
- Do not repair or replace any part of the appliance or attempt any servicing unless specifically recommended in the user repair instructions and you understand and have the necessary skills to carry out such dishwasher servicing.
- Do not move or clean the appliance while it is working. It might cause electrical or water leakage.
- Do not open the door during operation as the steam dispersed may harm you. If it is necessary to load or unload some items, please push the Pause button and wait 10 seconds, then open the door slightly and wait for the steam to dissipate completely, then open the door and move your items.
- Do not use this dishwasher outdoors.
- Do not try to use this appliance in a damp place. High humidity may cause the

appliance to rust.

- This dishwasher is an automatic appliance, do not add water manually when the appliance is working. It will cause overflow and is dangerous.

- To reduce the risk of injury, immediately replace work power cords, loose plugs and/or power outlets.

- Disconnect electrical power and water intake hose to the dishwasher before cleaning and/or servicing.

- If your old appliance is not being used, we recommend that you store the unit out of the reach of children and remove its door. This will reduce the risk of injury to children.

- Hydrogen gas may be produced if the water heater has not been used in more than two weeks. This could be explosive and can explode under certain circumstances. If this is the case, before using this appliance, turn on all the hot water faucets and let the hot water run for a few minutes. This will let the trapped hydrogen escape. During this process do not turn on an electric appliance, smoke, light a match or lighter, or use a flame to avoid serious injury, due to the highly flammable nature of hydrogen gas.

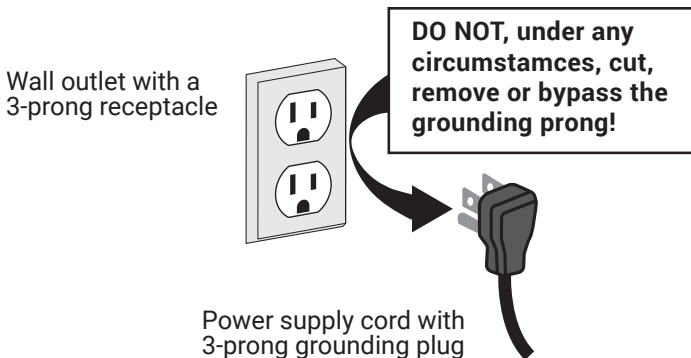
ELECTRICAL REQUIREMENTS

GROUNDING INSTRUCTIONS

This appliance must be plugged into at least a 120 Volt 60 Hz outlet. This appliance must be grounded. It is equipped with a 3-prong power cord with a grounding plug. The plug must be plugged into an outlet that is properly installed and grounded.

⚠ WARNING! Improper use of the grounded wire can result in the risk of electric shock.

Consult a qualified electrician if necessary. Do not attempt to tamper or modify the plug in any form.



Avoid the use of an extension cord because it may overheat and cause a risk of fire.

However, if it is necessary to use an extension cord:

A) Use only a 3-prong extension cord with a 3-prong grounding plug.

B) The marked rating of the extension cord must be equal to or greater than the rating of this appliance.

C) The extension cord should be positioned such that it does not drape over the counter or tabletop where it can be pulled by children or tripped over.

ATTEMPTING ANY MAINTENANCE OR CLEANING

To minimize the possibility of electric shock, unplug this appliance from the power supply or disconnect at the household's electrical panel by removing the fuse or switching off the circuit breaker before attempting any maintenance or cleaning.

NOTE: Pressing the Power ON/OFF button to an OFF position does NOT disconnect the appliance from the power supply.

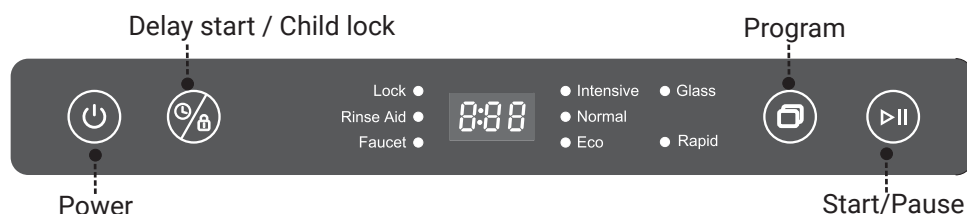
PARTS AND FEATURES

PACKAGING CONTENT:

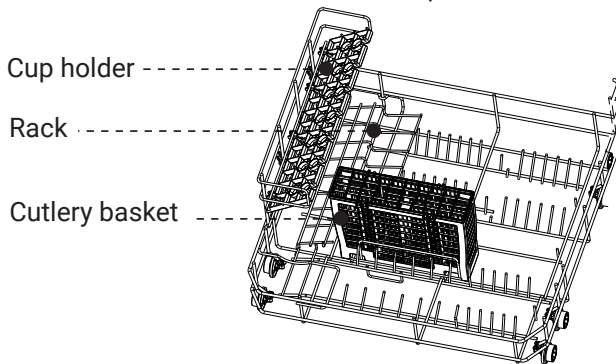
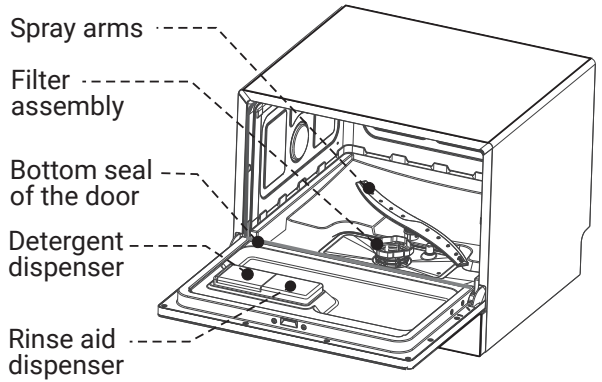
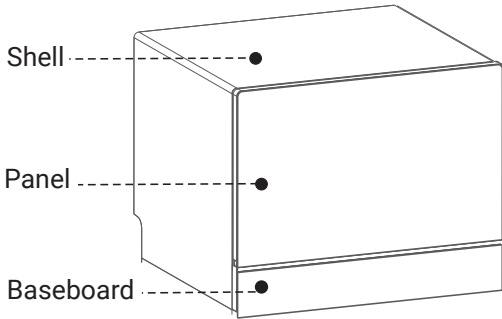
NAME	QUANTITY	NAME	QUANTITY
Complete appliance	1	Drain hose	1
Rack	1	Screws	2
Cutlery basket	1	Clamping band	1
Inlet water hose	1	User manual	1

FEATURES:

CONTROL PANEL



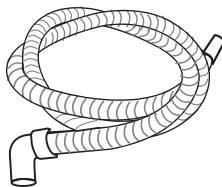
PARTS:



ACCESSORIES:



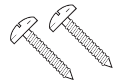
Inlet water hose



Drain hose



Clamping band



Screws

INSTALLATION

UNPACKING AND PROPER PLACEMENT

UNPACKING:

WARNING: Ensure that any packing material, including any plastic bags or film, are disposed of safely and kept out of the reach of children.

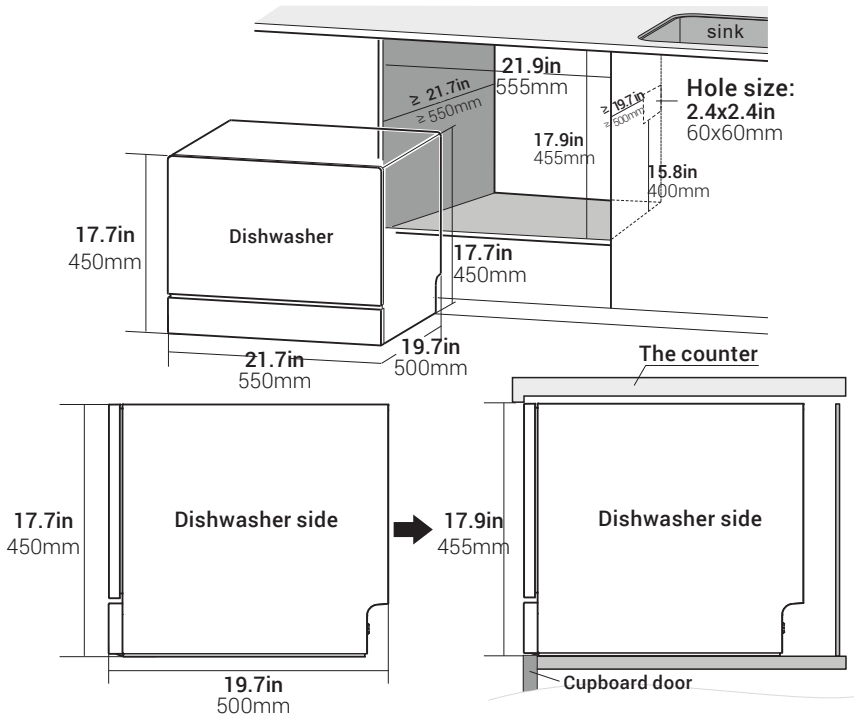
1. Inspect and remove any remains of packaging, tape, or printed materials before powering on your appliance.
2. Check to see if you have all of the following parts:
 - Rack (1)
 - Cutlery/Silverware Basket (1)
 - Inlet water hose (1)
 - Drain hose (1)
 - Screws (2)
 - Clamping band (1)
3. Clean the interior surface with lukewarm water using a soft cloth.

PROPER PLACEMENT:

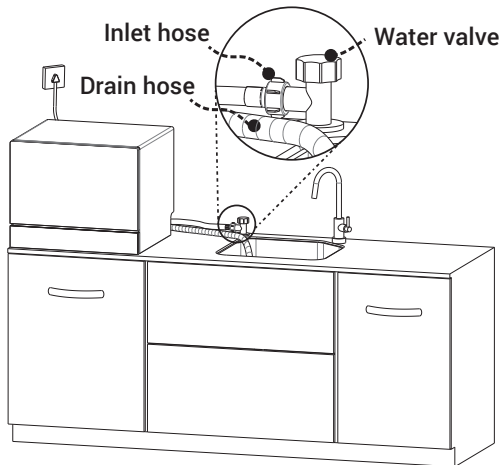
1. First determine the best location for your new dishwasher. It must be close to a 120 Volt outlet and a sink with water supply and drainage system.
2. The minimum height clearance required to install your dishwasher on a countertop surface with overhead cupboards or kitchen cabinets is 17.8". This countertop dishwasher is 17.7" in height.

BUILT-IN INSTALLATION DIAGRAM:

The direction of perforation 2.4 x 2.4in (60x60mm) according to the position of the sewer

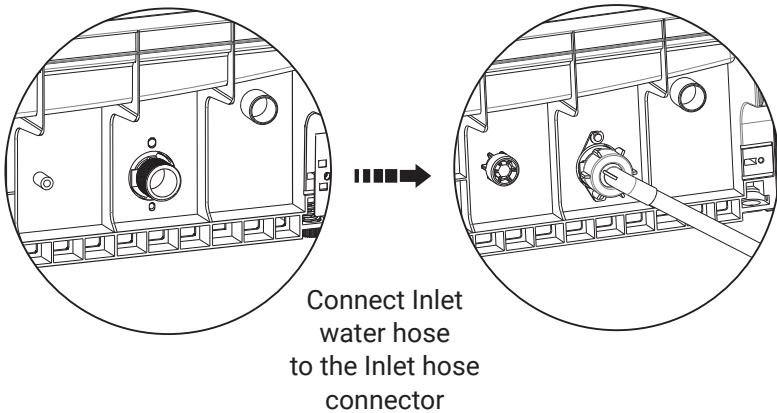
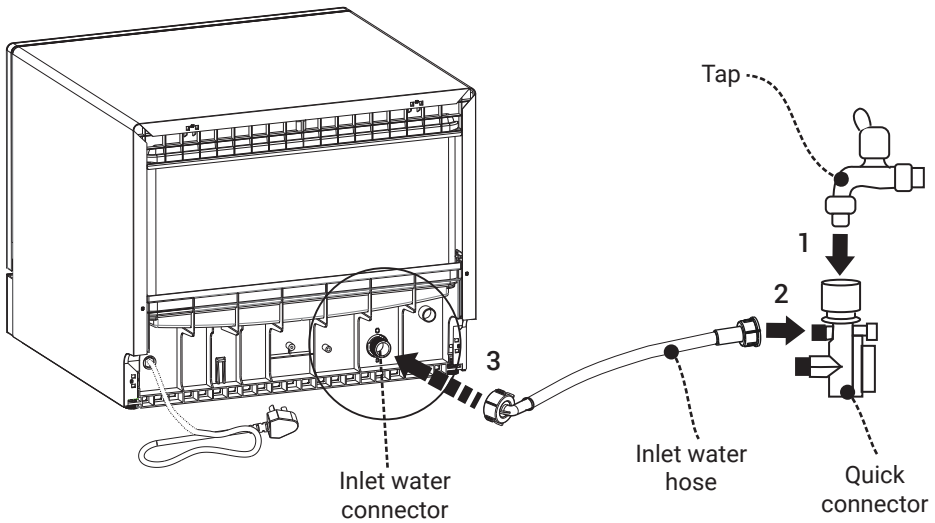


COUNTERTOP LAYOUT DIAGRAMS:



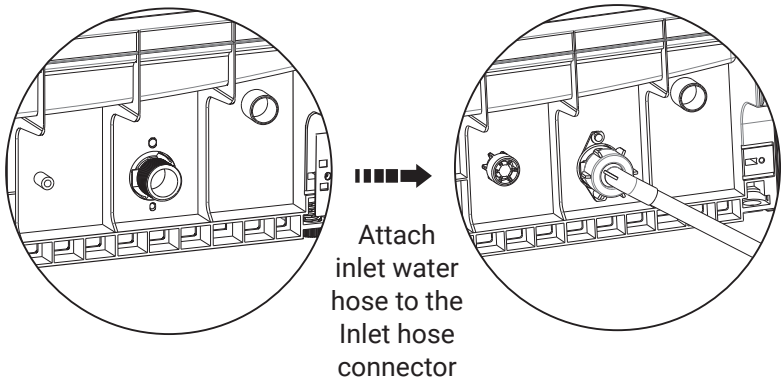
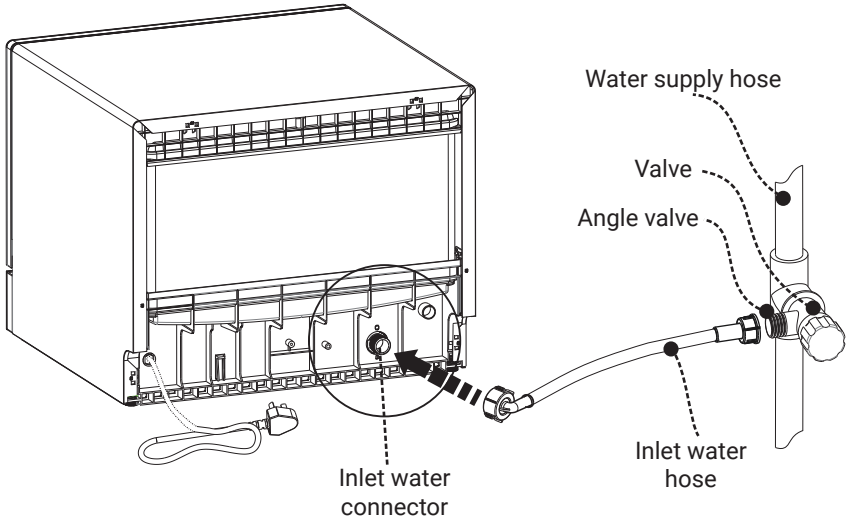
INLET WATER HOSE CONNECTION:

Connecting the Inlet water hose to the Tap:

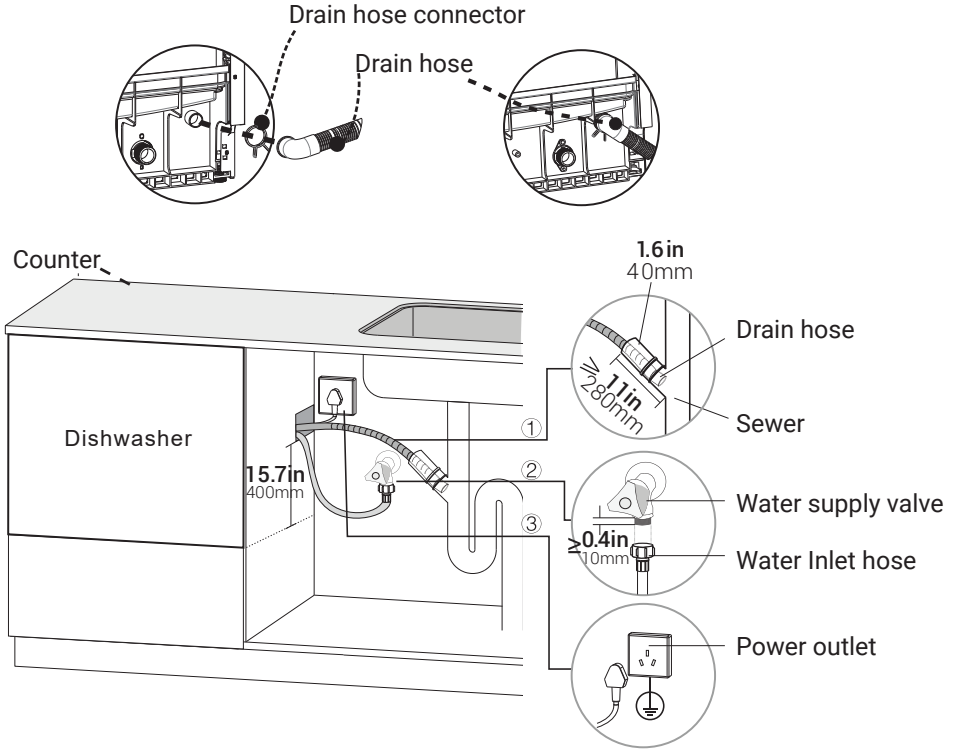


1. Connect the Quick connector to the Tap.
2. Connect one end of the Inlet water hose to the Quick connector.
3. Connect the other end of the Inlet water hose to the Inlet hose connector located at the back side of the dishwasher.

Connecting the Inlet water hose to the Water supply pipe:



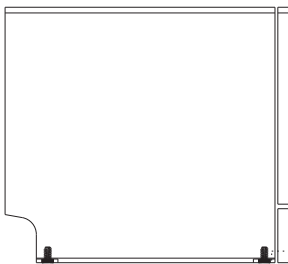
DRAIN HOSE CONNECTION:



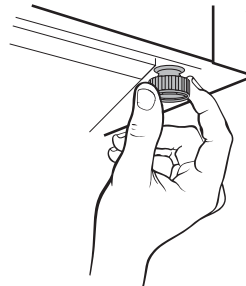
LEVEL AND SECURE THE DISHWASHER:

Ensure that the appliance is leveled before operation; otherwise, it may cause an overflow and electric leakage.

If the dishwasher does not seem level, you can adjust the adjustable feet to balance the unit. Turn the adjustable foot clockwise to raise the height, and counterclockwise to lower the height.



Bottom vent
21.6x2 in
550x50 mm



If the dishwasher is to be **built-in**, after the dishwasher has been balanced, use the two screws provided to screw into the allocated area on both sides of the dishwasher to secure it to the cabinet. Then put on the side safety caps.



TIPS:

- After installation, save this User Manual for future reference.
- NOTE: Each product is tested before leaving the manufacturing facility. If you notice a yellowish water during the initial use, do not worry. That is normal due to water residue. We recommend running an empty cycle during initial use to remove any foreign residue.

USING YOUR ULTRA COMPACT

IMPORTANT! To get the best performance from your dishwasher, read all operating instructions.

PRIOR TO USE:

The following should be checked before starting the dishwasher.

1. The dishwasher is level.
2. The water supply is open.
3. There are no leaks at the connections.
4. The plug is connected securely to a properly grounded outlet.
5. The power is switched on.
6. The inlet and drain hoses are properly connected.
7. All packing and printed materials are removed from the dishwasher.

LOADING THE DISHWASHER:

A properly loaded dishwasher is key for optimal performance. Never overfill the dishwasher as it can reduce the unit's efficiency. Improper placement of items can also affect the dishwasher's performance. Position the dishes and utensils so they are secure during the wash cycle and will not be moved by sprayed water.

NOTE: DO NOT wash items that are not listed as dishwasher safe.

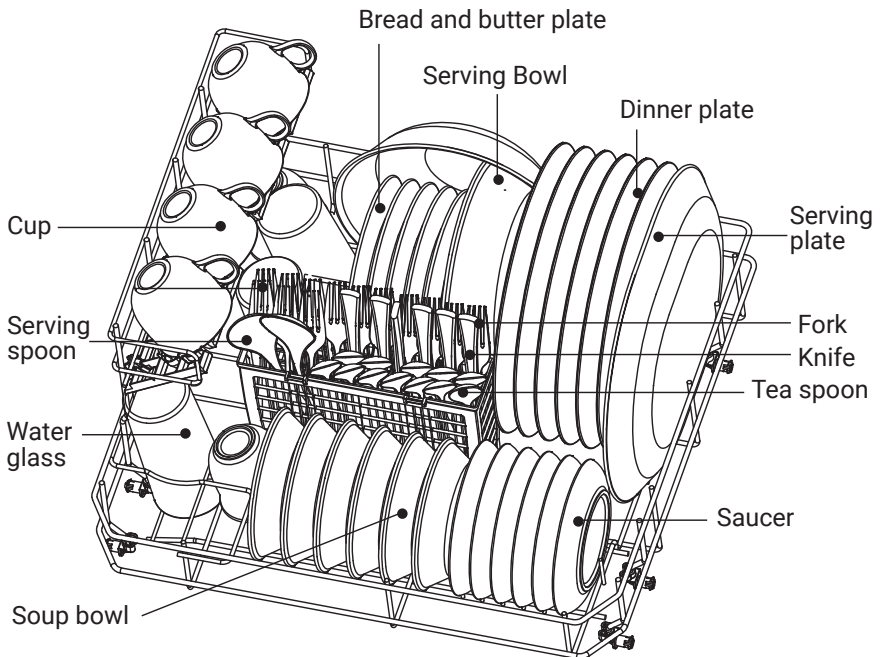
NOTE: Some types of glasses may become dull after a large number of washes.

NOTE: Silver and aluminum may tarnish or discolor during washing.

NOTE: Cast iron items may rust after being washed in a dishwasher.

For best performance, follow these guidelines when loading:

1. Scrape off any large amounts of leftover food. Soak burnt food in pans to loosen. It is not necessary to rinse the dishes under running water.
2. Place items such as cups, glasses, pots/pans etc. face down so that water will not collect in them.
3. Curved items, or those with recesses, should be loaded at a slant so that water can run off.
4. All utensils should be placed in a manner so that they cannot tip over.
5. All utensils should be placed in the way that prevents them from interfering with the spray arm during washing.
6. Items should not be inside one another or covering other items.
7. DO NOT let large glasses touch each other. Doing so may damage them.
8. Most silverware should be placed in the cutlery basket with handles down.
9. Small knives and sharp objects should be placed handle up to prevent injury.
10. Large sharp objects such as long-bladed knives can present a hazard and should be placed horizontally in the rack.
11. DO NOT put small items that can fall out of the basket in the dishwasher.
12. DO NOT overload your dishwasher.
13. When pushing the basket back, do not let any sharp utensils cut the door seal/gasket.
14. The top coating of the basket should not be scratched; otherwise, it may rust.
15. Move the spray arms manually after pushing the basket in, to check if the spray arms can freely rotate.



WARNING: DO NOT allow any item to stick out below the dish rack as that may interfere with the spray arm and damage the dishwasher.

WARNING: DO NOT load any sharp objects point up. Place them point down or lay them horizontally in the rack.

ALWAYS position the dishes and cookware in a manner that will prevent them from being moved by spraying water.

DETERGENT DISPENSER:

Dishwasher detergent is necessary to remove food from dishes and help move it out of the dishwasher. Only use detergents that are specifically made for dishwashers. Fill the detergent dispenser before the start of each wash. ALWAYS add the detergent just before starting the dishwasher to avoid it getting wet as that may prevent it from dissolving properly.

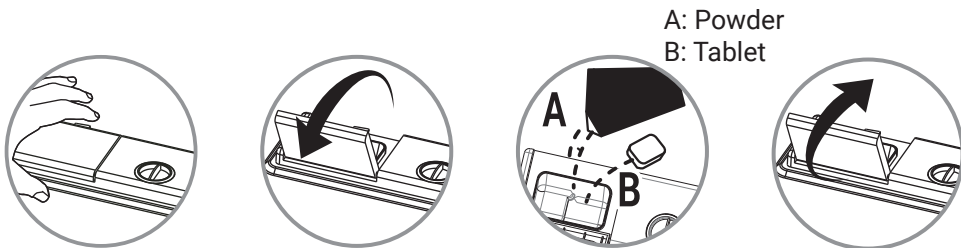
DETERGENTS:

If powdered detergents that do not contain phosphate are used with hard water, white spots may appear on dishes. If this occurs, add more detergent to the dishwasher for better results. Detergents that do not have chlorine may not completely remove food and spots from dishes. If this occurs, choose a wash program with a higher temperature.

DETERGENT TABLETS/PODS:

Different brands of detergent tablets/pods dissolve at different rates. For this reason, some tablets/pods may not fully dissolve and therefore may not fully clean the dishes. When using tablets/pods, be sure to use a longer wash program to ensure that the tablet dissolves and that all residual detergent is rinsed out of the dishwasher.

To add the detergent powder, or a tablet/pod:



1. Press the release button on the detergent compartment.
2. The cover will open.
3. Add a detergent powder, or a tablet/pod.
4. Close the cover.

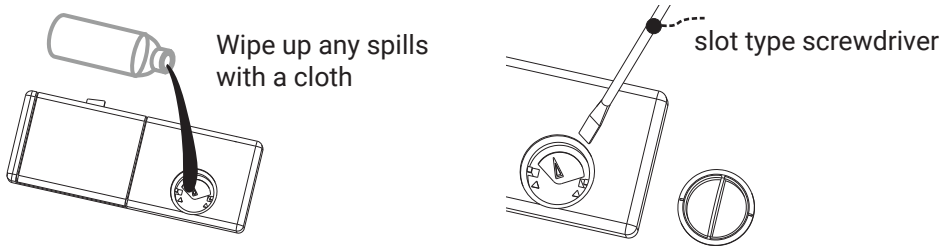
FILLING THE RINSE AID DISPENSER:

The rinse aid is released during the final rinse to prevent water droplets that can leave spots and streaks from forming on your dishes. It also improves drying by allowing water to 'sheet' and drain off the dishes. Your dishwasher is designed to use liquid rinse aids. The rinse aid dispenser is located on the inside surface of the door next to the detergent dispenser.

When the Rinse Aid compartment needs refilling, the indicator light will illuminate on the display panel.

The amount of rinse aid released can be adjusted. The default settings is 3. Larger value means increasing the dosage, and vice versa. Turn the arrow adjuster inside the dispenser to the desired setting by either using your fingers or inserting a flat-blade screwdriver into the center of the arrow and turning.

NOTE: If the surface of the dishes feel greasy after a cycle, lower the rinse aid settings and wash again.



OPERATING THE DISHWASHER

- To operate the dishwasher, load the basket as described in previous instructions, add the detergent and rinse aid based on the wash cycle being chosen, close the door and press the On/Off button.


- Press the Program Select button to filter through wash cycles and choose the one you want: INTENSIVE >> NORMAL >> ECO >> GLASS >> RAPID

- Press the Start/Pause button, and the dishwasher will start.


NOTE: When you press the Start/Pause button to pause the wash cycle, all the lights on the display will illuminate, and the program will pause until you restart it.

NOTE: If you open the door while the dishwasher is running, the unit will pause the wash cycle. When you close the door, the wash cycle will continue.




Close the door of the dishwasher and start the appliance by pressing  for one second



Press the  button to select the desired program



Start wash cycle by pressing  button

WASH CYCLE TABLE:

PROGRAM	TYPE OF SOILING	CONSUMPTION OF DETERGENT	TIME CYCLE
		WASHING POWDER	
Eco	Part dried, common household food remnants	0.4 + 0.4 oz / 11.5 + 11.5 g	2:25
Normal	Little dried, normal household food remnants	0.8oz / 23g	1:10
Intensive	Very adhesive burned-on or dried-on food remnants	0.8oz / 23g	2:10
Glass	Slightly adhesive, temperature-sensitive plastic and glasses	0.8oz / 23g	1:40
Rapid	Fresh food remnants, Light and less oil	0.8oz / 23g (or no detergent)	0:25

NOTE: For better washing results when using the Eco program, it is recommended to add 1/2 of detergent powder directly into the interior of the dishwasher, and another 1/2 into the detergent dispenser.

NOTE: The detergent is not necessary for the Rapid program.

CHILD LOCK:

With the child lock feature you can prevent any program from being unintentionally terminated, and door opened (e.g. improper operation by children).

To activate the lock button: Hold down the Delay/Child lock button for 3 seconds until "Lock" is illuminated on the digital display.





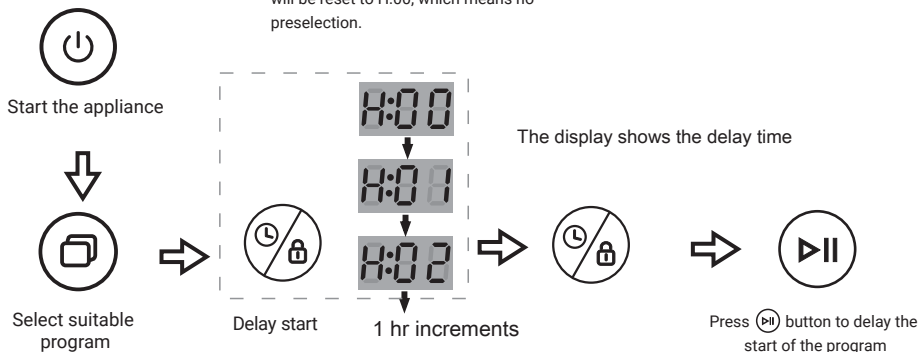
To deactivate the button lock: Hold down the Delay/Child lock button for 3 seconds until the "Lock" light turns off.

DELAY FUNCTION:

The start of the dishwasher can be delayed between 1 and 24 hours, with adjustment in one-hour increments.

Steps:

Press  button, the display repeatedly shows H:00 H:01...H:24. Select delay start time. If press  for 3 seconds, the screen will be reset to H:00, which means no preselection.



CARE AND MAINTENANCE:

HOW TO MAINTAIN YOUR DISHWASHER:

After each use, leave the dishwasher door slightly ajar so that any moisture and odor are not trapped inside the appliance.

CLEANING THE DISHWASHER:

To clean the exterior and rubber parts of the dishwasher, do not use solvents or abrasive cleaning products. Rather, use a soft wash cloth and warm soapy water. To remove spots or strains from the interior surface, use a soft wash cloth dampened with water and a little white vinegar, or a cleaning product made specifically for dishwashers.

CLEANING THE DOOR:

Use only a soft, damp cloth with warm water to clean the edges around the door. To avoid penetration of water into the door lock and electrical components, do not use a spray cleaner of any kind.

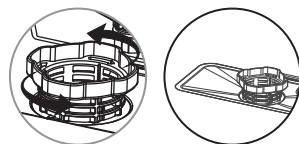
FILTER SYSTEM:

For best performance and results, the filter must be cleaned regularly. For this reason, it is a good idea to remove the larger food particles trapped in the filters after each wash cycle by rinsing the filters under running water.

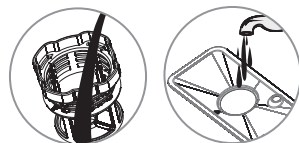
NOTE: It is recommended that the filter assembly should be cleaned once a week.

 **WARNING:** Never run the dishwasher without the filter in place!

1. Rotate the filter assembly counterclockwise, then lift upward.



2. Remove the stainless steel filter from the filter assembly.



3. Rinse the filter assembly and stainless steel filter with running water.

4. After cleaning, position the stainless steel filter back to its place. Insert the filter assembly back into the stainless steel filter, and turn clockwise to lock in place.



CLEANING THE SPRAY ARMS:

The spray arm can be easily removed for periodic cleaning of the nozzles to prevent possible clogging and limescale buildup.

Remove the spray arm by grasping the middle and pull upwards. Wash the spray arm under running water and carefully reinstall making sure the rotary movement is in no way impeded.

NOTE: If spray arms water holes are blocked, use a thin wire to remove the blockages out of the holes, or flush the holes with water.



PROTECT AGAINST FREEZING:

Please take frost protection measures during the winter months. Please follow these procedures after each wash:

1. Turn off the dishwasher.
2. Turn off the water supply and disconnect the water inlet hose from the back of the unit.
3. Drain water from the inlet hose and inlet port - use a pan to catch the water.
4. Reconnect the water inlet hose to the inlet port.
5. Remove the Stainless steel filter (see "Filter System" above), and use a sponge to absorb the water in the sump.

NOTE: if your dishwasher cannot operate due to ice, please contact a service professional.

PREPARATION FOR STORAGE:

It is recommended you run a wash cycle with the dishwasher empty. Disconnect from power and turn off the water supply. Remove any water remaining in the sump area with a sponge. Leave the door slightly open, this will help the door seals to last longer and prevent odors from forming inside the dishwasher.

MOVING THE DISHWASHER:

If the dishwasher must be moved, try to keep it in the upright position. Never position the dishwasher on its side or upside down.

TROUBLESHOOTING:

Error code	Cause	Solution
E01	Thermistor short circuit	Please contact authorized service provider.
E02	Thermistor short circuit	Please contact authorized service provider.
E03	The appliance is not heating	1. Ensure tableware is placed correctly. Water can get trapped in a plate/bowl. 2. Please contact authorized service provider.
E04	Inlet valve failure	Please contact authorized service provider.
E05	Overflow	1. Lean the appliance about 30° to 45° to pour out excess water from the bottom plate. 2. Check if the drainage pipe is placed too high. 3. Check if the pipe is blocked. 4. Check if the appliance is properly positioned/level. 5. Exclude above causes, and restart the appliance. Please contact authorized service provider.
E06	Heating function abnormal	Please contact authorized service provider.
E10	Water inflow abnormal	1. The valve is not fully opened. 2. Small inflow and low water pressure. 3. Start-up multiple times in case of water shortage. 4. Please contact authorized service provider.

	Problem	Possible Causes	Solution
Technical Problems	Dishwasher does not start	Fuse blown or circuit breaker tripped.	Replace fuse or reset circuit breaker. Remove any other appliances sharing the same circuit with the dishwasher.
		Power supply not turned on.	Make sure the dishwasher is turned on and the door is closed securely. Make sure the power cord is properly plugged into the wall socket.
		Door of dishwasher not properly closed.	Close door completely and make sure it is latched.
	Water not pumped from dishwasher	Kink in drain hose.	Check drain hose.
		Filter is clogged.	Check filter system.
		Kitchen sink clogged.	Check sink to make sure it is draining well. If sink is clogged, you may need a plumber.
General Problems	Suds in the tub	Improper detergent.	Use only dishwasher detergents to avoid suds. If suds occurs, open the dishwasher and let suds evaporate. Close the door then Start the "Rapid" wash cycle. Repeat if necessary.
		Spilled Rinse Aid.	ALWAYS wipe up rinse-aid spills immediately.
	Stained tub interior	Detergent with colorant was used.	DO NOT use detergents with colorants or dyes.
	White film on inside surface	Hard water minerals.	To clean the interior, use a damp sponge with dishwasher de-tergent and wear rubber gloves. Never use any other cleaner than dishwasher detergent for the risk of foaming or suds.
	Rust stains on cutlery	Cutlery is not corrosion resistant.	Only put corrosion resistant items in the dishwasher.
		A program was not run after dishwasher detergent was added. Traces of detergent have gotten into the wash cycle.	Run the Rapid wash cycle without any dishes or utensils in the dishwasher after adding dishwasher detergent.
Noise	Knocking noise inside the wash cabinet	The spray arm is hitting an item in the basket.	If you are able to, interrupt the program and rearrange the items which are obstructing the spray arm.
	Rattling noise in the wash cabinet	Item inside is loose.	If you are unable to interrupt the program, fix the spray arm position after cycle is complete.
	Knocking noise in the water pipes	This may be caused by on-site installation or the cross-section of the piping.	If you are able to, interrupt the program and rearrange items in the dishwasher. This has no influence on dishwasher function. If in doubt, contact a suitably qualified plumber.

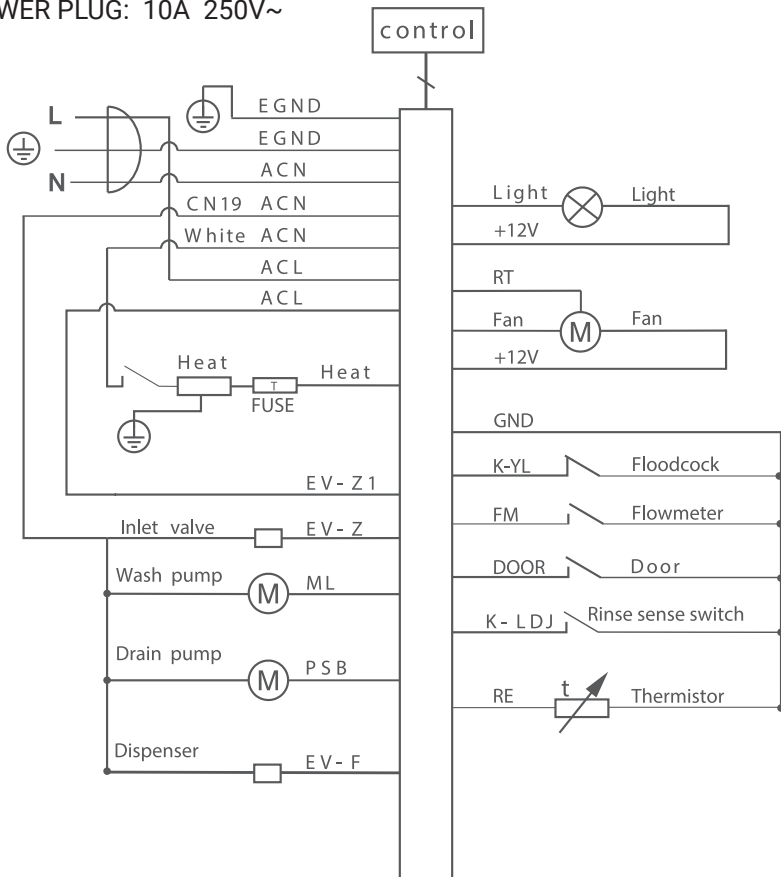
	Problem	Possible Causes	Solution
Unsatisfactory Washing	The dishes are not clean	Dishes not loaded correctly.	Make sure dishes are loaded correctly per the "Loading the Dishwasher" section.
		Improper wash program selected.	Select a more intensive program. Refer to "Wash Cycle Table".
		Not enough detergent was dispensed.	Use more detergent, or change your detergent.
		Items are blocking the path of spray arms.	Rearrange the items so that the spray arms can rotate freely.
		The filter system in the base of wash cabinet is not clean or is not correctly fitted. This may cause the spray arm jets to get blocked.	Clean and/or fit the filter correctly. Clean the spray arm jets. Refer to "Dishwasher Care" section.
	Glassware is cloudy	Combination of soft water and too much detergent.	Use less detergent if you have soft water and select a short cycle to wash the glassware and to get it clean. See "Wash Cycle Table".
	Black or gray marks on dishes	Aluminum utensils have rubbed against dishes.	Use a mild abrasive cleaner to eliminate the marks.
Unsatisfactory Drying	The dishes are not drying	Dishes blocking detergent cups.	Re-load the dishes properly. See the "Loading the Dishwasher" section.
		Dishes not loaded correctly.	Load the dishwasher as suggested in the directions.
		Too little rinse aid.	Increase the amount of rinse aid or refill the rinse aid dispenser.
		Dishes removed too soon.	DO NOT empty your dishwasher immediately after washing. Open the door slightly so that the steam can escape. Begin unloading the dishwasher only once the dishes are cool enough to touch.
		Wrong program Selection.	Short wash cycles use lower temperatures which lessen performance. Choose a longer wash program.
		Using cutlery with a low-quality coating.	Water drainage is more difficult with these items. Cutlery or dishes of this type are not suitable for washing in the dishwasher.

TECHNICAL SPECIFICATIONS:

Outline Size	W 21.6 x H 17.7 x D 21.6 in
Water Pressure	5.8 – 145PSI
Inlet Water Temperature	≤ 120°F
Nominal Voltage	120V
Frequency	60Hz
Rated Power	870W
Waterproof	IPX1
Capacity	6 Place Settings + 6 Serving Pieces

CIRCUIT DIAGRAM

POWER PLUG: 10A 250V~



Müller



Your purchase comes with a 100% satisfaction guarantee from Müller

If you are not happy with the product for any reason, please contact us at support@muellerdirect.com or **888-632-9981** with your feedback or questions, and we will do our best to make things right for you!

Müller USA

168 Mason Way Unit #4A,
City of Industry, CA 91746
Telephone: (888) 632-9981
E-mail: support@muellerdirect.com
Web: www.muellerhome.us