

INSTALLATION INSTRUCTIONS

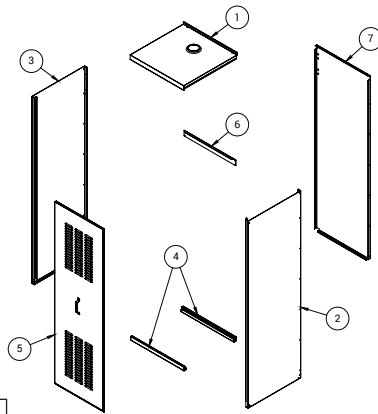
Installation Tools Required:

- Phillips Head Screwdriver
- Gloves
- Eye Protection

QUICK SHED™ Water Heater

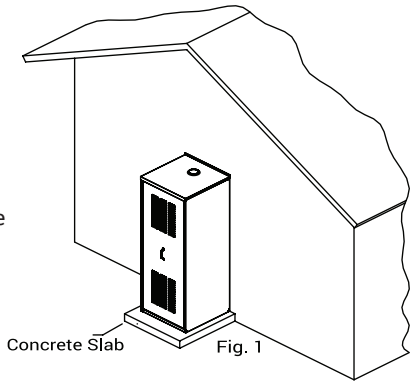
Enclosure Components:

1. Top
2. Right side
3. Left side
4. Bottom beams (2x)
5. Door Assembly
6. Back brace
7. Back Panel (-B model only)
8. Hardware (not shown)



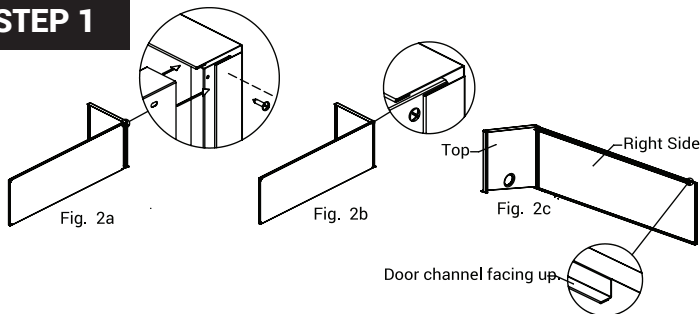
Read Before You Start Assembly:

It is recommended to place water heater and enclosure on a 3-inch thick slab of concrete (check local codes for specific requirements). You can use a paved or pre-cast slab. Slab must be wider than the enclosure in order to completely support water heater and enclosure. If anchoring QUICK SHED™ enclosure to a vertical wall structure, make sure slab is positioned so enclosure can be fastened to the side of the building structure without obstruction (see Fig. 1).



NOTE: Fasteners for mounting to Building Structure are not included.

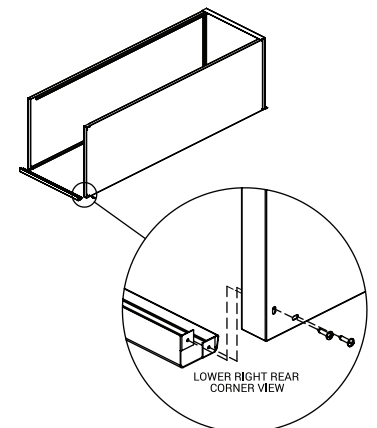
STEP 1



Place the Top vertically (front side facing up) and insert the Right side perpendicularly with the door channel facing up (see Fig. 2a and 2c). Make sure fastener holes are aligned. Install two Screws (included) with screw driver until hand tight (see Fig. 2b). Repeat for Left side. Make sure the inside door channels are facing up (see Fig. 2c).

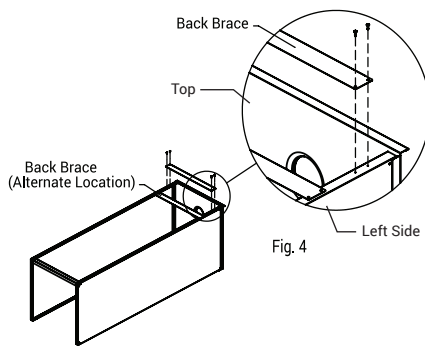
STEP 2

Align holes of the Bottom beam with fastener holes in both side panels (positioned at the back of the QUICK SHED™) and install two Screws (included) for each side with screw driver, until hand tight (see Fig. 3).



STEP 3

Turn the QUICK SHED™ over (front facing down). Align Back brace holes with the Side panel holes that are 3-inches below the top (see Fig. 4). If plumbing pipes conflict with the Back brace location, use the alternative holes located at 9-inches below the top. Install two Screws (included) through each end of Back brace with screw driver, until hand tight.



Place QUICK SHED™ on slab against building structure, but do not secure to building structure yet. Place water heater on slab inside water heater enclosure.

STEP 4 ("B" MODELS ONLY)

With the QUICK SHED standing upright, tilt the supplied Rear Panel at an angle with the lower lip resting inside and behind the rear Bottom Beam (see Fig. 6).

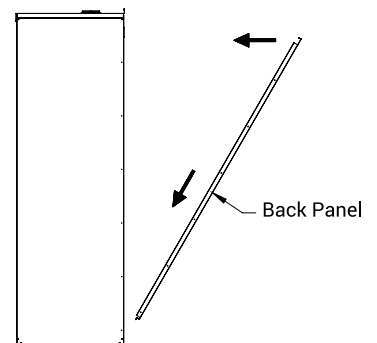


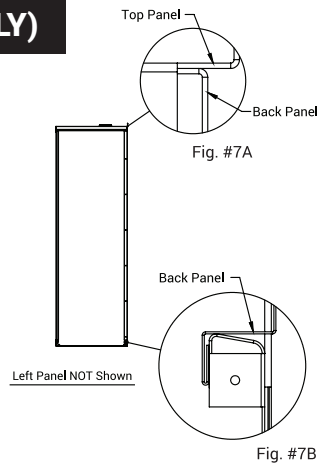
Fig. #6

CONTINUE ►

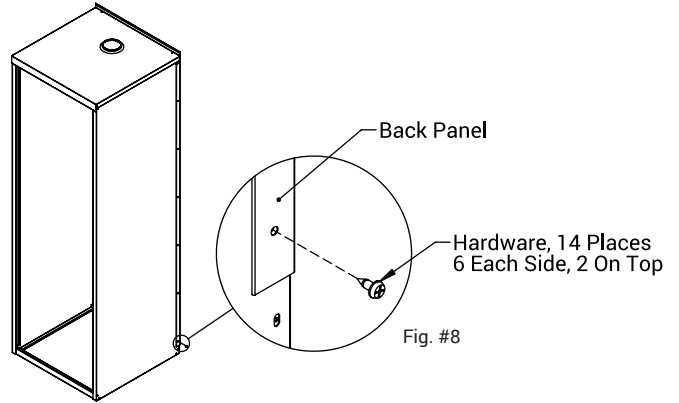
**ALWAYS USE SAFETY EQUIPMENT WHEN INSTALLING THIS PRODUCT.
USE GLOVES AND EYE PROTECTION AT A MINIMUM.**

STEP 5 ("B" MODELS ONLY)

Making sure that both edge flanges on the Rear Panel slide outside the Left and Right Side Panels, carefully tip the Rear Panel upright until it seats against the back edges of the Left and Right Side Panels. The lower lip must slide down slightly and be held in place behind the Bottom Beam. Finish by sliding the upper flange of the Rear Panel under the back edge of the Top Panel until fully assembled (see Fig. 7A, 7B).

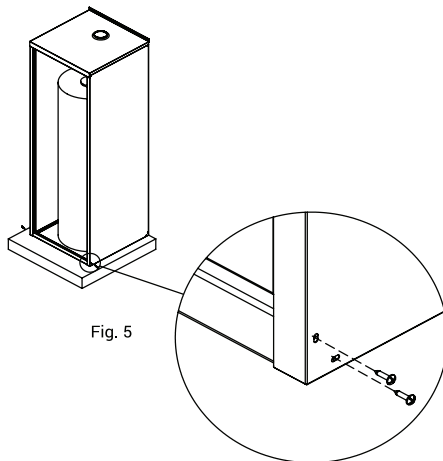


STEP 6 ("B" MODELS ONLY)



STEP 7

Align the holes of the second Bottom beam with the fastener holes of both Side panels (positioned at the front of the QUICK SHED™) and install two Screws (included) for each side with screw driver, until hand tight (see Fig. 5).



STEP 8

Finish installing water heater plumbing and venting per local code and water heater manufacturer's instructions.

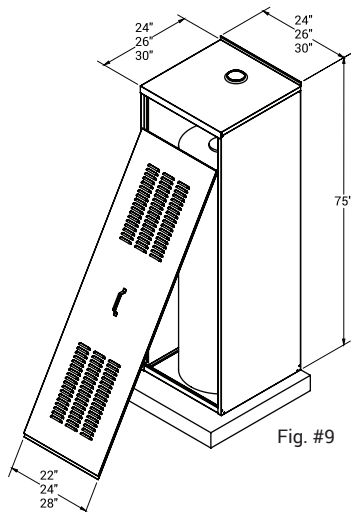
It is recommended (and local codes may require) that your QUICK SHED™ be attached to the adjoining building structure using proper fasteners, such as screws or anchors (not included). If installing QUICK SHED™ free-standing (ie. with Rear Panel), anchorage to the slab/floor is recommended. Use remaining pre-drilled holes in back flanges or self-drill as needed.



If installing a Rear Panel on the QUICKSHED instead of attaching it to an adjoining building structure, complete Steps 1-4 of the box instructions and the plumbing and venting installation per Step 5, then proceed. If B model with Rear Panel is not being installed, skip to Step 9.

STEP 9

Place door into position by tilting it forward into the side channels just below the Top flange and slide it upward. Tilt the bottom of the door into place so it is flush to the front (see Fig. 9). Slide down and lock door's bottom tab into the front Bottom beam channel.



Did You Know?



HOLDRITE®

— CARRIES A FULL LINE OF —
WATER HEATER ACCESSORIES!

HOLDRITE carries water heater connectors, water heater restraints, water heater drain pans and equipment platforms. Learn more:

www.HOLDRITE.com/products/water-heater-accessories/