



## Renovators Supply, Inc.© [www.rensup.com](http://www.rensup.com)

Please Read The Following Instructions Before Installing.

**NOTE:** It is not recommended to pre-install or rough-in the product before actually receiving it on location. This is due to slight variations in the product.

### Preparation and disassembly:

1. Shut off water supply to the existing water closet
2. Disconnect water supply tubing from existing tank and angle stop valve
3. Remove existing water closet and tank from floor
4. Remove old wax seal and clean area around the drain

### Toilet Bowl Installation

1. To install the toilet bowl turn it upside-down. Place the new wax ring (available at any hardware or plumbing supply store) and sleeve over the drain horn. Press it down firmly. Note: if the ring has a paper cover, remove it.
2. Make sure the toilet flange is clean and the floor bolts point straight up. Carefully position the toilet bowl over the flange, and fit the holes in the toilet base directly over the floor bolts.
3. Press down on the toilet bowl to compress the wax ring. To form a tight seal. Attach the washers and nuts to the floor bolts, and tighten them with a (non-scratch) adjustable wrench.  
**(Note:** Don't over-tighten the bolts as you may crack the ceramic base).

Toilet Bolt Covers are available at [rensup.com](http://rensup.com)

17612 White

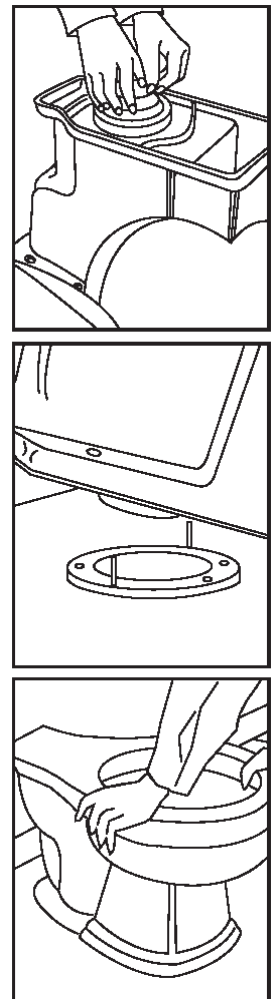
17613 Bone

17614 Black

Our No Slam Toilet Seats are available at [rensup.com](http://rensup.com)

White round 14349, elongated 13506.

Bone round 15390, elongated 15389.

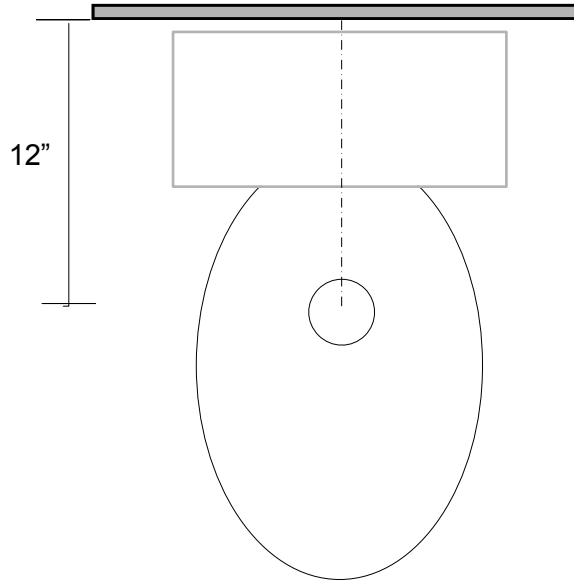


These instructions and drawings disclose confidential and other data of proprietary nature owned by Renovator's Supply Inc.© and may not be used or disclosed to others without the prior written consent of Renovator's Supply Inc.©

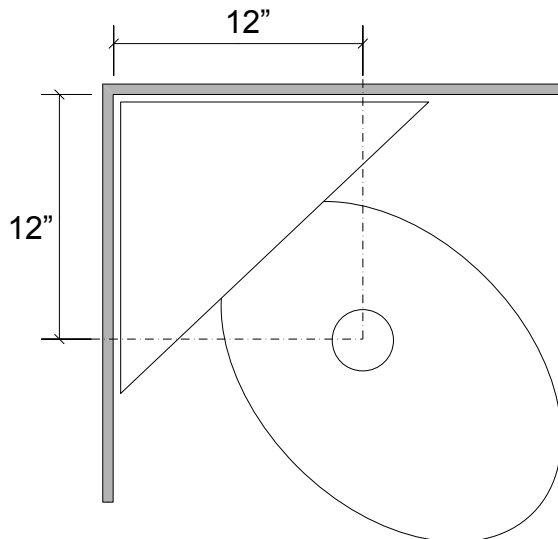
Please Read The Following Instructions Before Installing.

**NOTE:** It is not recommended to pre-install or rough-in the product before actually receiving it on location. This is due to slight variations in the product.

Standard 12 inch rough-in:



Corner 12 inch rough-in:



These instructions and drawings disclose confidential and other data of proprietary nature owned by Renovator's Supply Inc.© and may not be used or disclosed to others without the prior written consent of Renovator's Supply Inc.©