

# LED TROFFERS

## 2'X2' / 2'X4'

L35TF2240D, L35TF2250D,  
L34TF2440D, L34TF2450D



### OVERVIEW

Our DLC-certified LED troffers are designed for installation in T-bar grid or drop-in ceilings. They are the ideal solution for replacing inefficient traditional fluorescent troffers. They produce an even, bright light ideal for commercial settings including office buildings, schools, hospitals and more. Their attractive design allows them to integrate seamlessly into any setting, offering high-quality, reliable lighting.



BEAM  
ANGLE



50,000  
HOURS



FLICKER-  
FREE



TRUE  
COLOR



### 5-Year Limited Warranty

AM Conservation Group, Inc. guarantees to the original purchaser or recipient of this lamp that it is free from defects in material and workmanship for five years from date of purchase. Warranty is limited to repair or replacement of the lamp. Lamps being returned must include proof of purchase.

### For warranty claims, please contact:

[customercare@amconservationgroup.com](mailto:customercare@amconservationgroup.com)

### To learn more, please visit:

[www.amconservationgroup.com](http://www.amconservationgroup.com)

<b>Rated Power (W):</b>	2x2: 35W 2x4: 34W	<b>THD:</b>	6.48%
<b>Color Temp (CCT):</b>	4000K, 5000K	<b>Ignition Time:</b>	Instant-On
<b>Efficacy (lm/w):</b>	125 lm/w	<b>Line Frequency:</b>	60 Hz
<b>Beam Angle:</b>	110°	<b>Dimmable:</b>	0-10V
<b>Operation Temperature:</b>	-4°F-104°F	<b>Safety Certification:</b>	ETL
<b>Storage Temperature:</b>	-40°F-185°F	<b>Typical Lumens (lm):</b>	35W: 4,375 lm 34W: 4,250 lm
<b>Input Voltage (V):</b>	120-277V	<b>Product Life</b>	50,000 Hrs.
<b>Power Factor:</b>	≥0.9		

### KEY FEATURES

- Center basket design provides advanced light distribution with architectural styling
- Fits standard 1" "T-bar" grids
- High efficacy, excellent color rendering and low glare

## SPECIFICATIONS TABLE

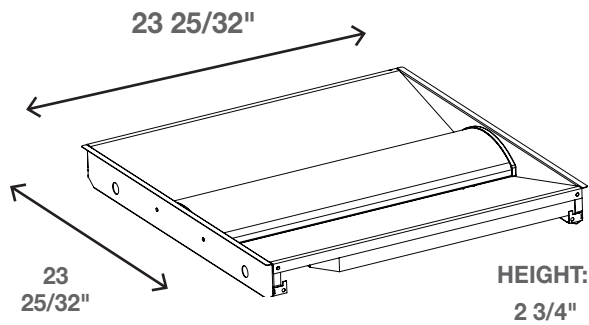
ITEM #	WATTS	DIMENSIONS	CCT	LM	CRI	VOLTAGE
L35TF2240D	35W	23 25/32" x 23 25/32" x 2 3/4"	4000K	4375	≥80	120-277V
L35TF2250D	35W	23 25/32" x 23 25/32" x 2 3/4"	5000K	1800	≥80	120-277V
L34TF2440D	34W	49 1/4" x 24 51/64" x 2 3/4"	4000K	4250	≥80	120-277V
L34TF2450D	34W	49 1/4" x 24 51/64" x 2 3/4"	5000K	4250	≥80	120-277V

## MODEL SELECTION

FAMILY	WATTAGE	LAMP TYPE	PRODUCT SIZE	CCT.	DIMMABLE
L = LED Linear	35 = 35 Watts 34 = 34 Watts	TF=Troffer	22 = 2' x 2' 24 = 2' x 4'	40 = 4000K 50 = 5000K	D = Dimmable

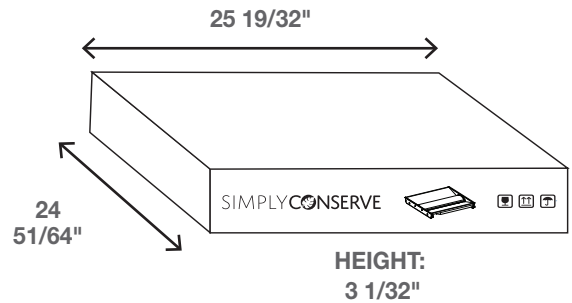
## DIMENSIONS

### PRODUCT: L35TF2240D, L35TF2250D

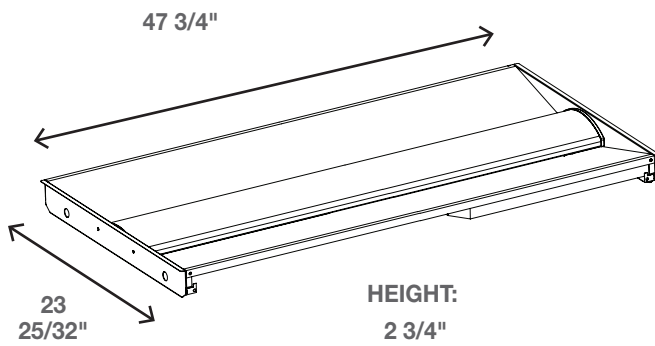


### PACKAGING

#### Case



### PRODUCT: L35TF2440D, L35TF2450D



### PACKAGING:

#### Case

