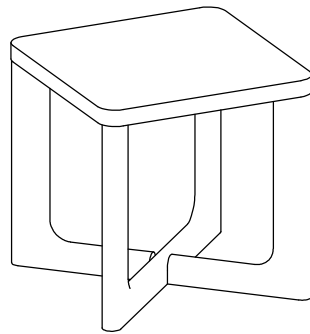
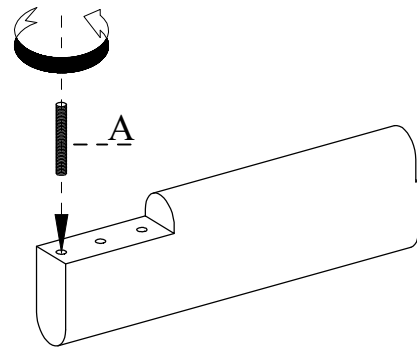
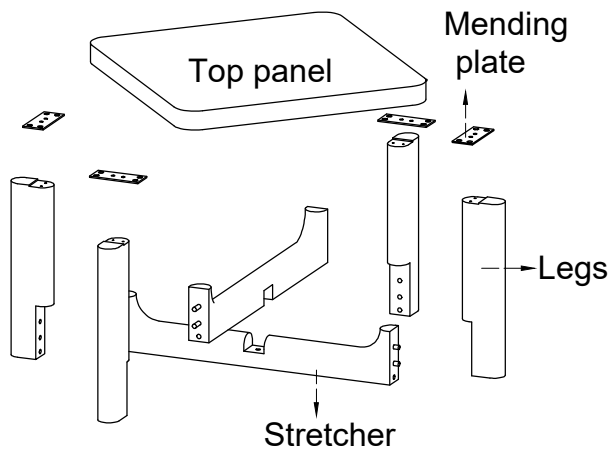


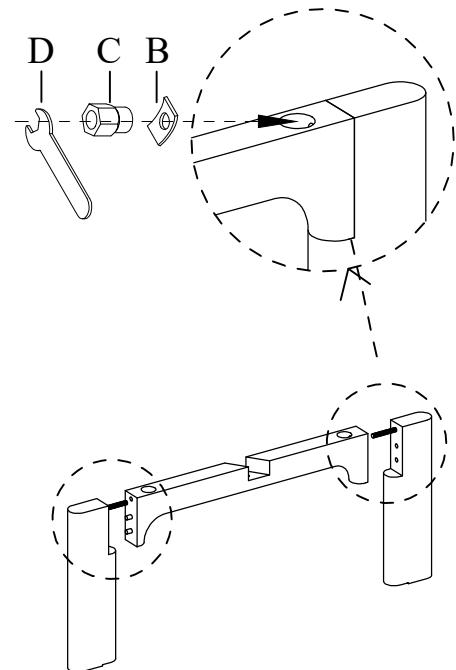
ASSEMBLY INSTRUCTIONS



Step 1



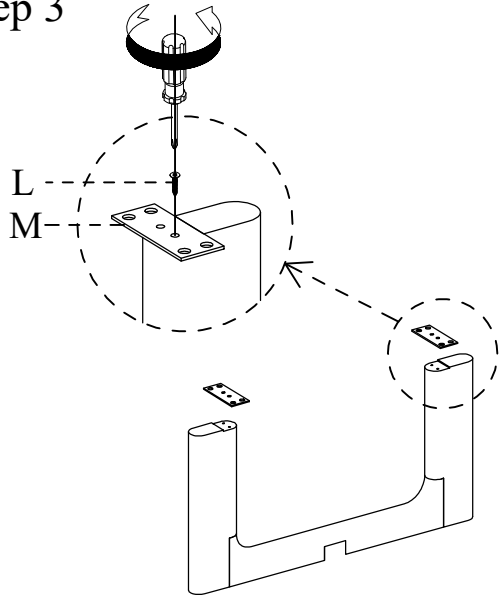
Step 2



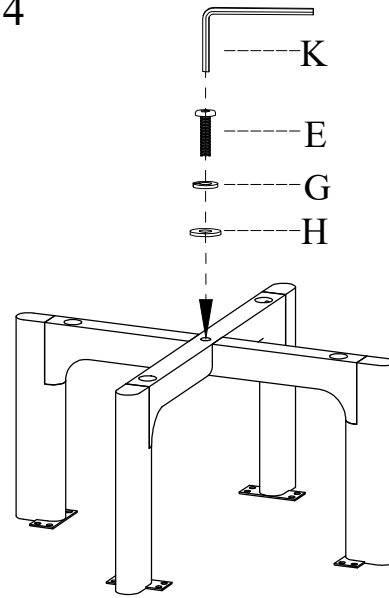
HARDWARE LIST

A		Threaded rod $\text{Ø}5/16'' \times 3-1/2''$	4pcs
B		Half moon washer $\text{Ø}5/16''$	4pcs
C		Nut $\text{Ø}5/16'' \times \text{M}12$	4pcs
D		Wrench M12	1pc
E		Bolt $\text{Ø}1/4'' \times 1-1/2''$	1pc
F		Bolt $\text{Ø}1/4'' \times 3/4''$	16pcs
G		Spring Washer $\text{Ø}1/4''$	17pcs
H		Flat Washer $\text{Ø}1/4'' \times \text{Ø}5/8''$	17pcs
K		Allen Wrench (4mm)	1pc
L		Screw	8pcs
M		Mending plate	4pcs

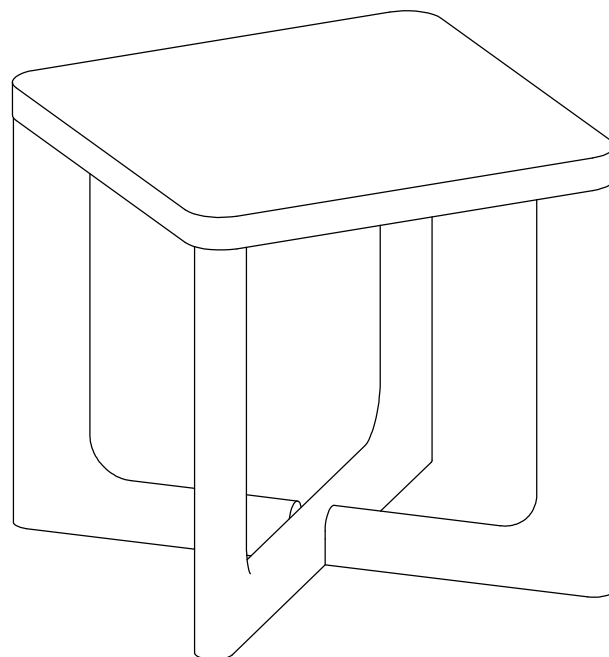
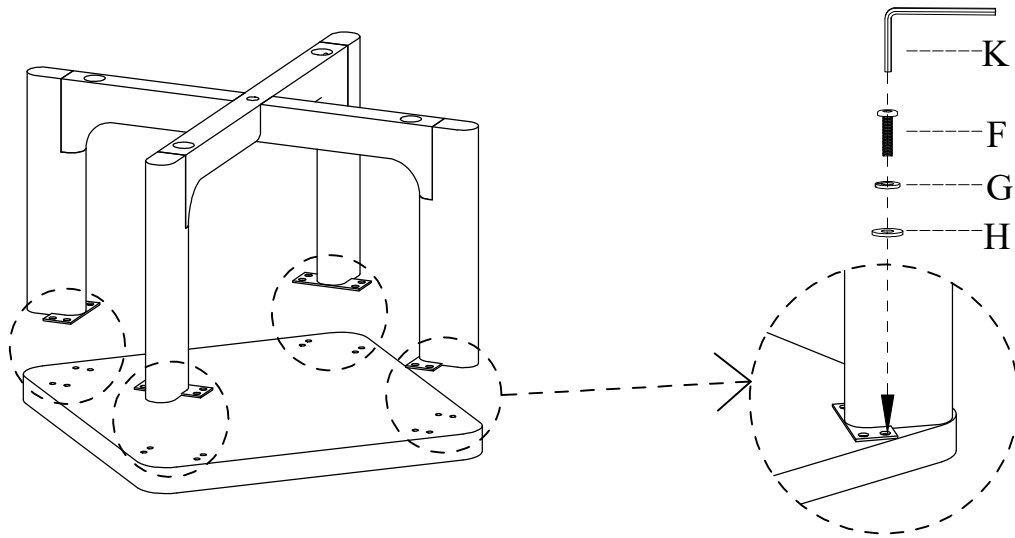
Step 3



Step 4



Step 5



OK