



VAN EQUIPMENT
FOR THE WAY YOU WORK™

ACCESSORY CENTER CROSSMEMBER Model 233-3-01

WWW.WEATHERGUARD.COM

ATTENTION: PLEASE READ AND UNDERSTAND ALL INSTRUCTIONS AND WARNINGS BEFORE ASSEMBLING, INSTALLING OR USING THIS PRODUCT.

WARNING

This product is only intended and safe for use in storing and transporting small tools, equipment and other similar materials. These instructions are to be followed using the parts and fasteners supplied for proper installation. Any modifications or improper installation of this product will create a hazardous condition that could result in death, serious personal injury and/or property damage.

– NOTICE –

Any modification or unintended use of this product shall immediately void all manufacturers warranties. Manufacturer disclaims all liability for injuries to persons or property resulting from any modification to, or unintended use of this product.

INSTALLATION TIME

Approximate installation time: 24 min. (0.4 hrs.) depending on van equipment installation experience.

TOOLS REQUIRED

- Ruler
- 5/16" Nut Driver
- Ratchet Wrench
- 3" Socket Extension
- Loctite® thread locker
- 1/2" Socket (deep well preferred)
- 3/8" Socket

PARTS LIST

- 1- Crossmember
- 2- Center Stands
- 2- Center Stand Plates
- Bulk Cushion Strip

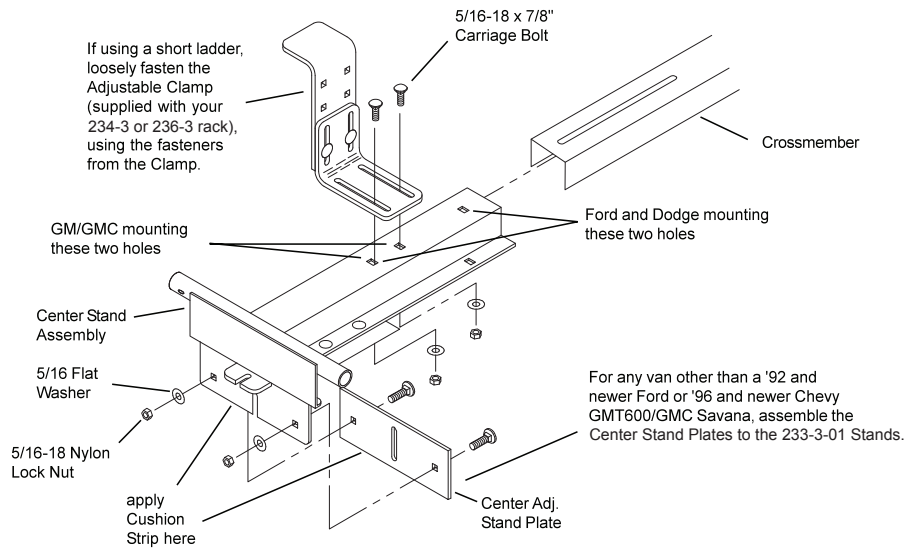
BOLT KITS

Bolt Kit #32-0126 is provided with Model 233-3-01, check this bolt kit to be sure the following parts are included:

	DESCRIPTION	
12	5/16" Flat Washer	
10	5/16-18 x 7/8" Carriage Bolt	
12	5/16-18 Nylon Lock Nut	
2	5/16-18 x 2" Carriage Bolt	
2	1/4-20 x 1/2" Taptite Screw	

ASSEMBLY INSTRUCTIONS

STEP 1. Assemble Center Stand to Crossmember.



STEP 2. Unfasten the Center Rail from the Front and Rear Side Rails of the rack. Slide the Center Rail rearward, then unfasten and remove the Center Support.

STEP 3. Adjust the stands to the approximate gutter width dimensions for your vehicle shown below. Position the rack assembly on the vehicle. Locate the stands as close as possible to the roof on all vans except the 1996 and newer Chevy GMT600/GMC Savana. Check to make sure the Crossmember is centered between the stands before tightening the Crossmember/Socket bolts.

STEP 4. Reassemble the Center Rail, making sure to use a drop of thread locker on the screws.

STEP 5. Fasten the Stand Clamps.

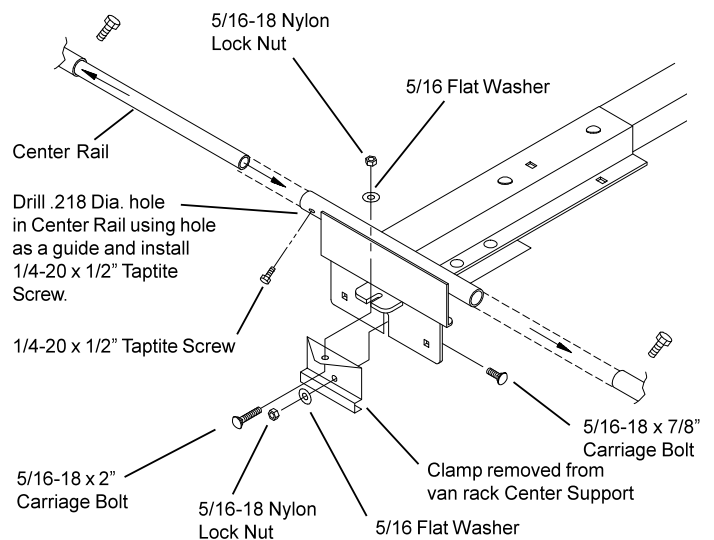
STEP 6. Drill a .218 Diameter hole through one side of Center Rail using hole in short tube as a guide. Install 1/4-20 x 1/2" Taptite Screw into hole using a drop of thread locker on the screws.

Approximate Gutter Widths

- Ford 64-1/4"
- Dodge 64-7/8"
- GM* 66-3/4"
- GM** 58-3/4"

* - 1996 and older GM vans

** - 1996 and newer Chevy GMT600/
GMC Savana vans



WEATHER GUARD® PRODUCT REFINISHING PROCEDURES

All WEATHER GUARD® products are finished with a polyester powder coating, and it is important to follow these procedures to get proper adhesion. As Knaack LLC cannot control the finishing of the products, the warranty for WEATHER GUARD® Products on paint is not applicable on refinished products.

1. Sand the surface to be painted with 180-200 grit sand paper to rough up the surface. This should be followed by wet sanding with a 400 grit wet or dry paper.
2. Wipe down the sanded surface with ketone based thinner. This removes the dust and softens the powder coating for better paint adhesion.
3. Wipe sanded area with a tack rag to remove loose dust and particles before painting.

NOTE: Do not use a lacquer

KNAACK LLC LIMITED LIFETIME WARRANTY FOR WEATHER GUARD® PRODUCTS

WEATHER GUARD® Products — Limited Lifetime Warranty

(Purchased on or after 1/1/2009)

Knaack LLC (the "Manufacturer") warrants to the original purchaser only that WEATHER GUARD® Truck and Van Products (the "WEATHER GUARD® Product") will be free from defects in material and workmanship from the date of purchase and continuing for the expected lifetime of the WEATHER GUARD® Product. A copy of the original sales receipt must be supplied to the Manufacturer at the time a warranty claim is made. This warranty terminates if the original purchaser transfers the WEATHER GUARD® Product to any other person.

What is Covered

All WEATHER GUARD® Products identified above that are purchased on or after January 1, 2009.

What We Will Do to Correct Problems

Subject to the limitations and exclusions described in this limited warranty, the Manufacturer will remedy defects in materials or workmanship by providing one of the following remedies at its option and without charge to the original purchaser for parts or labor: (a) repairing the defective portion of the WEATHER GUARD® Product or (b) replacing the entire WEATHER GUARD® Product. In addition, the manufacturer may elect at its option, not to repair or replace the WEATHER GUARD® Product, but rather issue to the original purchaser a refund equal to the purchase price paid for the WEATHER GUARD® Product or a credit to be used toward the purchase of new WEATHER GUARD® Product.

What is Not Covered

This limited warranty expressly excludes:

- Defects caused by normal wear and tear, cosmetic rust, scratches, accidents, unlawful vehicle operation, or modification to the product, or any types or repair of a WEATHER GUARD® Product other than those authorized or provided by the Manufacturer.
- Defects resulting from conditions beyond the Manufacturer's control including, but not limited to misuse, overloading, or failure to assemble, mount or use the WEATHER GUARD® Product in accordance with the Manufacturer's written instructions or guidelines included with the WEATHER GUARD® Product or made available to the original purchaser.
- Damage to the contents of the box or vehicle.
- TO THE EXTENT PERMITTED BY LAW, IN NO EVENT SHALL THE MANUFACTURER BE LIABLE FOR ANY INCIDENTAL, SPECIAL, INDIRECT, OR CONSEQUENTIAL DAMAGES, INCLUDING ANY ECONOMIC LOSS, WHETHER RESULTING FROM NONPERFORMANCE, USE, MISUSE OR INABILITY TO USE THE WEATHER GUARD® PRODUCT OR THE MANUFACTURER'S NEGLIGENCE.

No Other Express Warranty Applies

This Limited Lifetime Warranty is the sole and exclusive warranty for WEATHER GUARD® products. No employee, agent, dealer, or other person is authorized to alter this warranty or make any other warranty on behalf of Knaack LLC.

Notification Procedures

If the WEATHER GUARD® Product does not conform with the terms of this limited warranty, the original owner must promptly notify the Manufacturer in writing upon discovery of the nonconformity. In order to receive the remedies under this limited warranty, the warranty claim must describe the nature of the nonconformity, and a copy of the original sales receipt, invoice, bill or other proof of purchase must accompany the claim. Repairs or modifications made to the WEATHER GUARD® Product by other than the Manufacturer or its authorized agent will nullify this limited warranty. Coverage under this limited warranty is conditioned at all times upon the owner's compliance with these required notification and repair procedures. Warranty claims must include reciprocal contact information and may be made via certified mail to:

**Knaack LLC
ATTN: Warranty Claims
420 E. Terra Cotta Avenue, Crystal Lake, IL 60014**

If you have any questions, please call toll free at 1-800-456-7865.

©2011 Knaack LLC

