



ZIPPITY

Easy Does It!

**LIBERTY
LATTICE**
OPTIONAL TABLETOP
(36"W X 36"L)

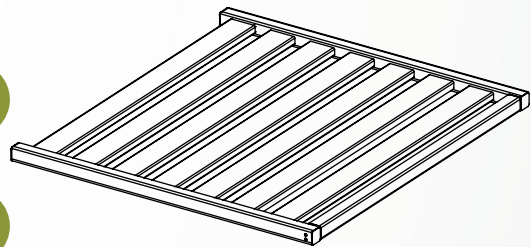
**ASSEMBLY
INSTRUCTIONS**
ZP19053

15 MIN

Approximate assembly time

Want to see a video on how to
assemble this product?

Scan the QR code



GENERAL INFORMATION



IMPORTANT

- Check the inside of the larger pieces in your box for other materials packed inside.
- When assembling components, place on a non-abrasive surface (i.e. shipping box) to avoid scratching.
- We recommend an area approximately 5'x 8' for unobstructed assembling.
- You should not need to use excessive force when assembling components.

MISSING OR DAMAGED PARTS?

VISIT OUR WEBSITE FIRST, SO WE CAN HELP YOU RIGHT AWAY!

Although great care has been taken to ensure proper packaging and handling of this product, occasionally problems occur. If you discover any missing, damaged or defective parts, please visit our website to order replacement parts. If you experience any further trouble with your product, please contact our customer service department.

 parts.nychbrands.com

 support@zippity-outdoor.com

 **704-892-5222 / 877-234-6196**

Customer service agents are available to take calls weekdays from 9am-5pm EST. If you call outside of business hours, please leave a voicemail.

To help you quickly and accurately, please have reference item number **ZP19053** and the specific part name which can be found on page 4. It is helpful if you can provide the batch lot which is a stamped number inside the box.

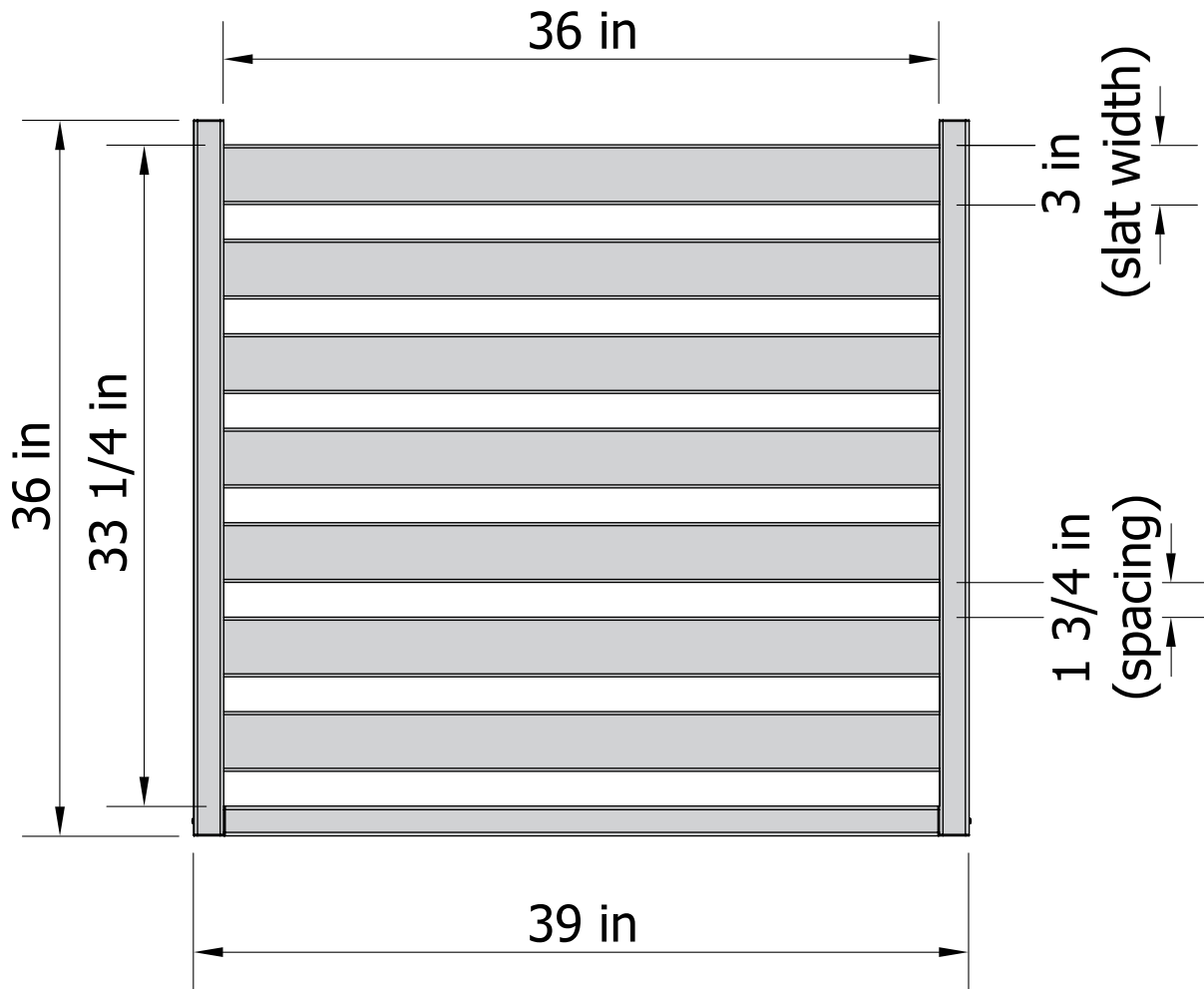
NEED ASSEMBLY HELP?

If you are having problems with the assembly or installation of this product, we are happy to assist you with the process, **so please give us a call at 704-892-5222 / 877-234-6196.**

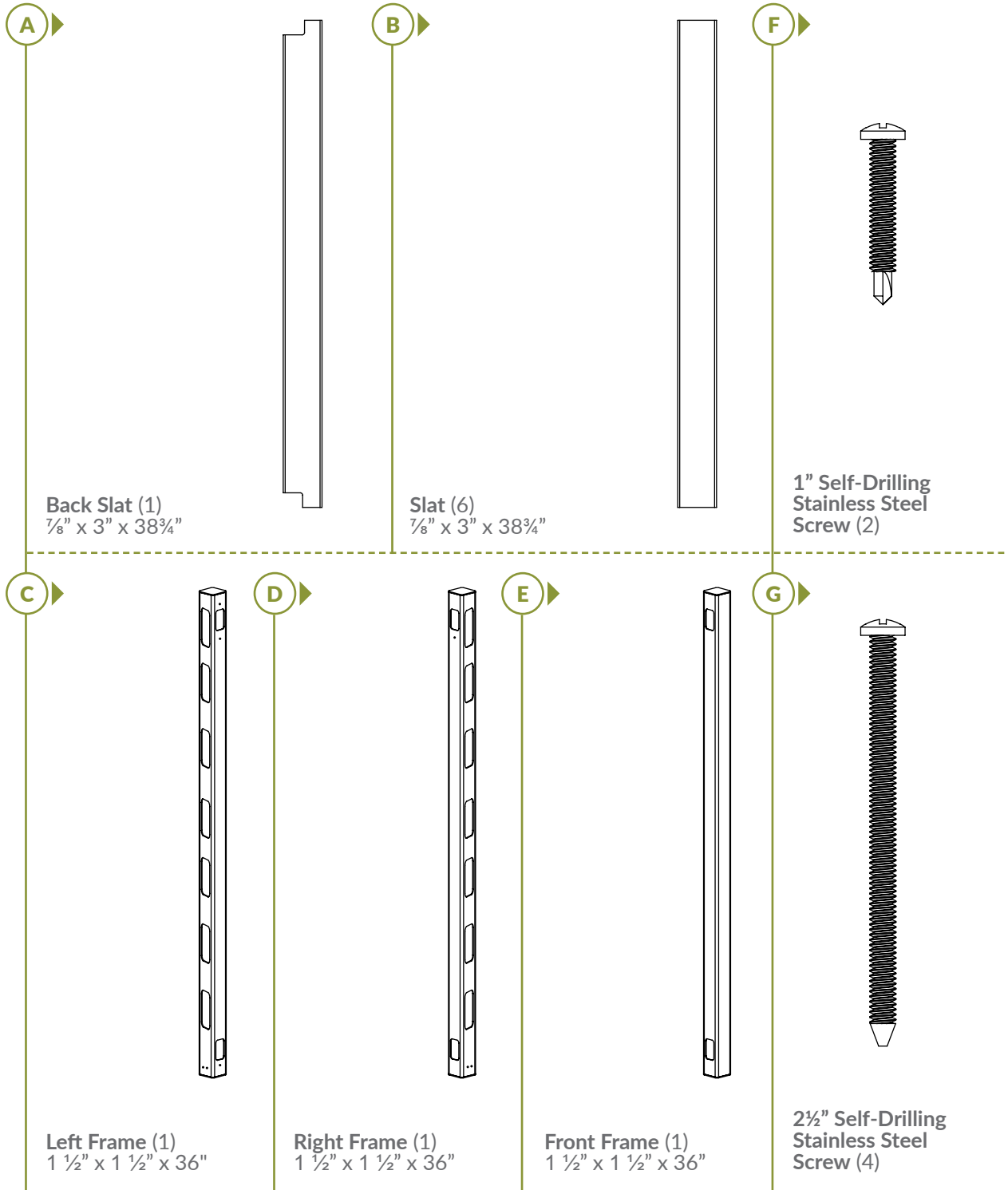
NEED TO RETURN?

If for some reason you need to return this product, please allow us to help resolve your issues first. If you still decide to return the product, **you will need to initiate the return from the company you originally purchased from.**

Detailed Product Dimensions & Specifications



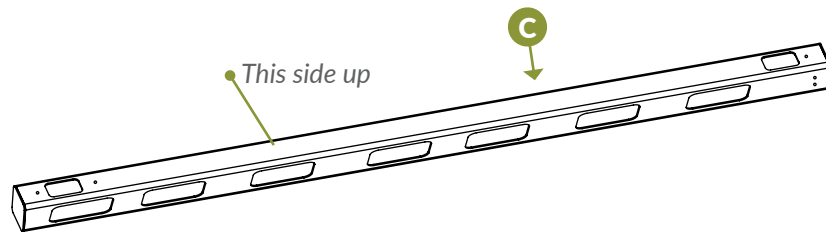
STEP 1: LAY OUT MATERIALS



STEP 2: INSTALL THE BOARDS

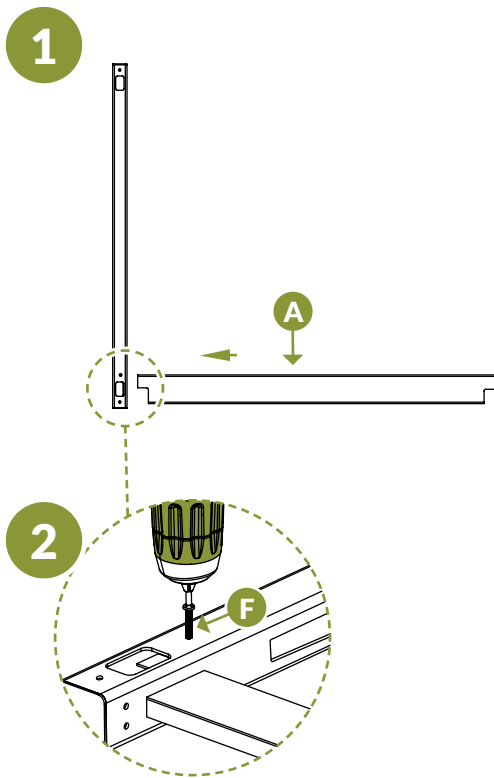
STEP 2.1 ▶

▶ Identify the Left Frame (C) and lay it on a flat surface. The left frame has three pre-drilled holes on the underside of the rail.



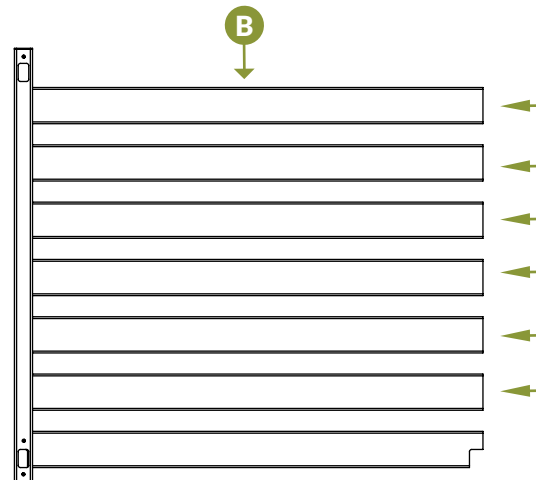
STEP 2.2 ▶

1. Insert the Back Slat (A) into the slot in the left frame under the pre-drilled hole.
2. Drive (1) 1" Self-Drilling Stainless Steel Screw (F) into the pre-drilled hole in the left frame.



STEP 2.3 ▶

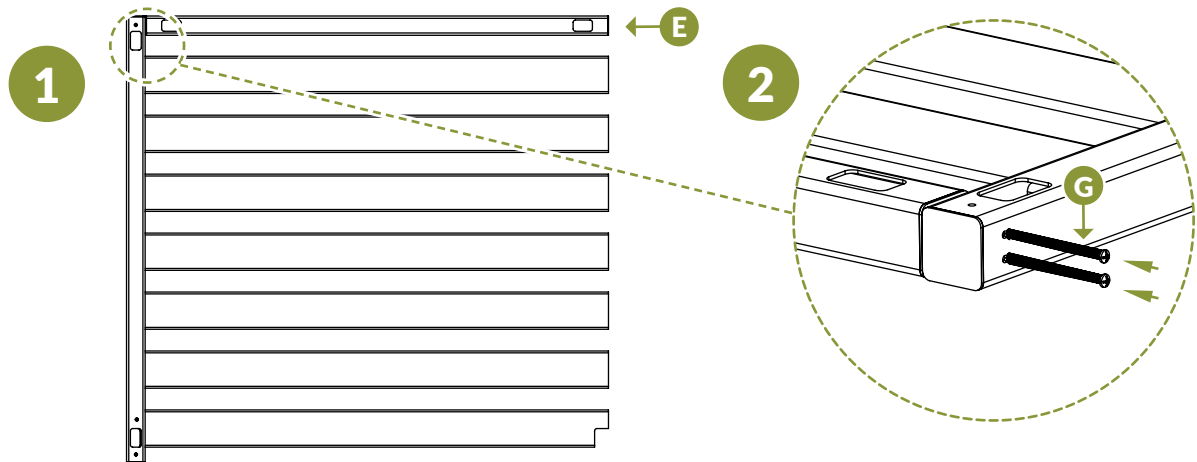
▶ Insert (6) Slats (B) into the holes in the left frame until they hit the back wall.



STEP 3: SECURE THE FRONT FRAME

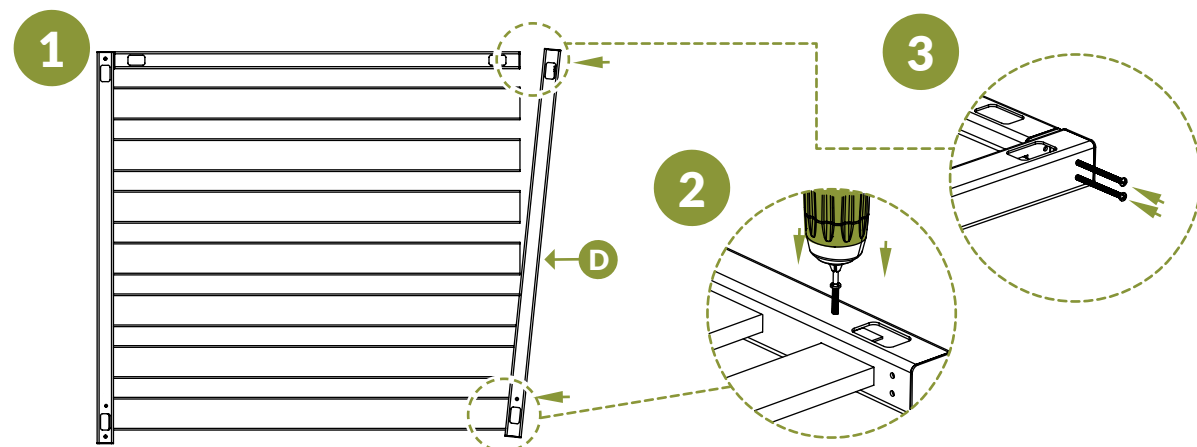
STEP 3.1

1. Take the Front Frame (E) and position it in an L-shape relative to the left frame as shown below.
2. Drive (2) 2½" Self-Drilling Stainless Steel Screws (G) into the pre-drilled holes in the side of the left frame.



STEP 3.2

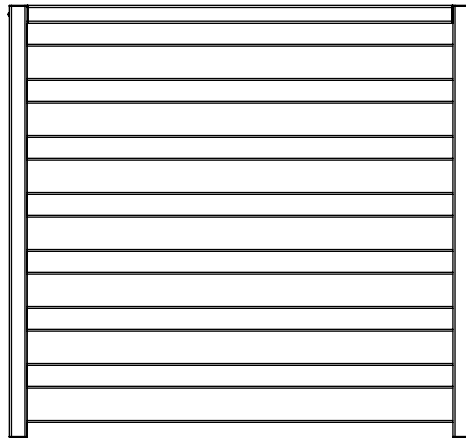
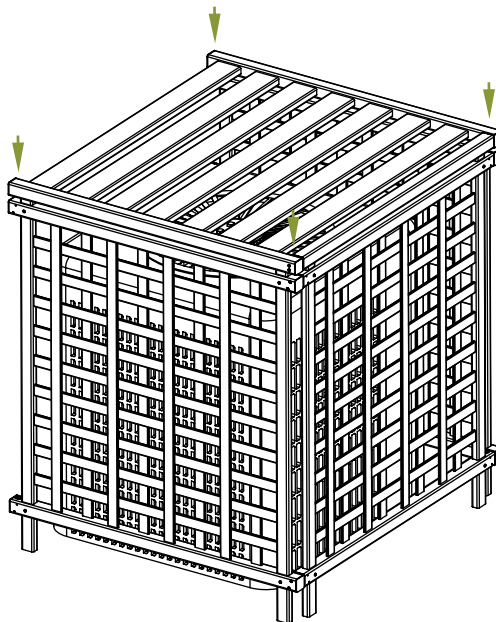
1. Slide the holes in the Right Frame (D) one by one over the slats until the right frame is in an L-shape relative to the front frame.
2. Drive (1) 1" self-drilling stainless steel screw into the single pre-drilled hole in the right frame.
3. Drive (2) 2½" self-drilling stainless steel screws into the (2) pre-drilled holes in the right frame.



STEP 4: INSTALL THE TABLETOP

STEP 4.1 ▶

1. Turn your assembled tabletop over.
2. Remove the post caps from your Liberty Lattice AC Screen Kit (ZP19052) and insert the screen posts into the holes on the bottom of the tabletop.

1**2**

Note: It is recommended you distribute the weight evenly across the tabletop and not surpass a weight load of 50 lbs (23 kgs).



ZIPPITY

Easy Does It!



6935 Reames Rd. Ste. K.
Charlotte, NC 28216



support@zippity-outdoor.com

704-892-5222
877-234-6196



WWW.ZIPPITY-OUTDOOR.COM