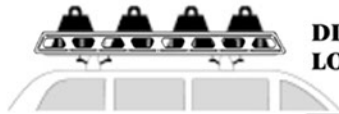


BEFORE YOU BEGIN

Thank you for purchasing the RB-7206 cargo basket.

Please take a moment to familiarize yourself with all of the included parts listed below. If anything is missing, contact your dealer immediately.

The cargo basket is easy to assemble. However, it is important that you follow the instructions carefully, so please be patient and take your time.



**DISTRIBUTE YOUR
LOAD EVENLY INSIDE
THE BASKET.**



**DO NOT EXCEED
BASKET CONTENT WEIGHT LIMIT:
150 LBS. (70 KG)**

**Always tie down long loads at
front and rear.**

1

IF YOUR BARS MOVE :

**IF YOU HAVE BARS THAT CAN BE MOVED...
Move the bars to minimum 72 CM apart.**

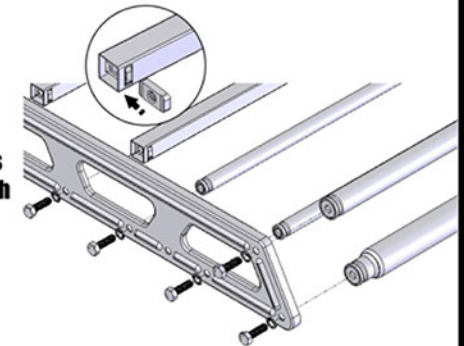


**TIGHTEN YOUR CROSSBARS
IF YOU LOOSENED THEM.**

2

ASSEMBLE THE BASKET :

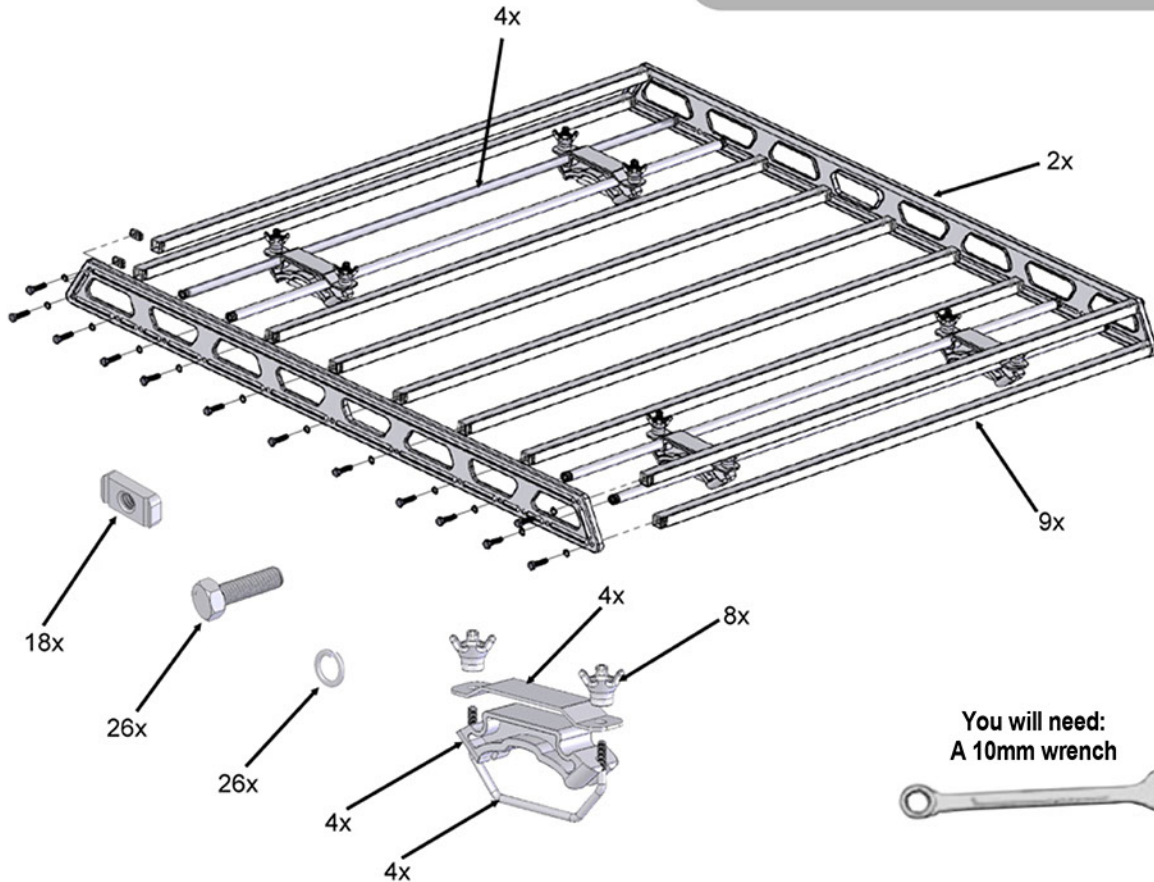
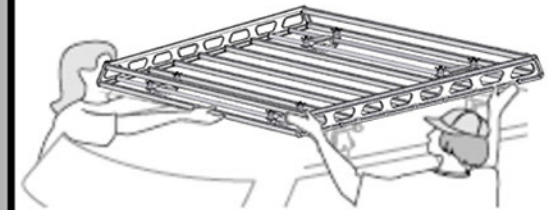
**Insert
screws
with
washers
into each
joint
and
tighten
them.**



3

LOAD BASKET ONTO RACKS :

Center basket over your rack's crossbars.



**You will need:
A 10mm wrench**

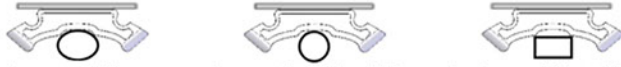


Cargo Basket

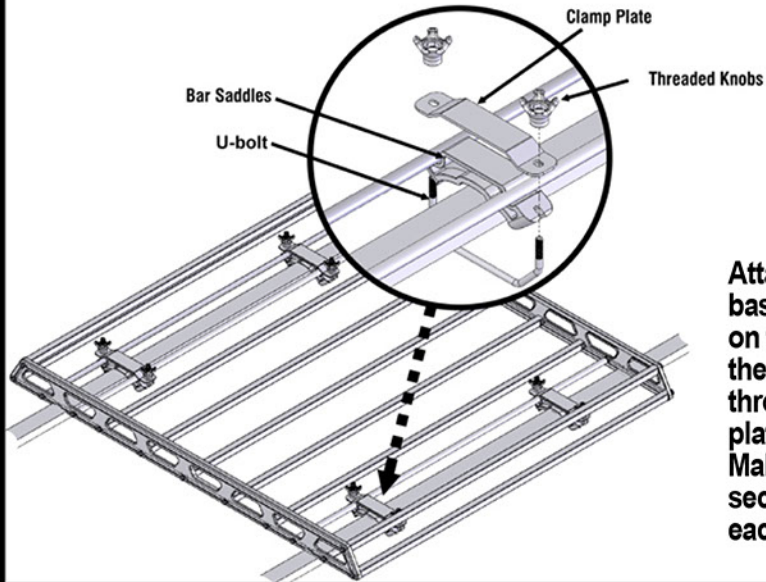
NO. RB-7206

Instruction Manual

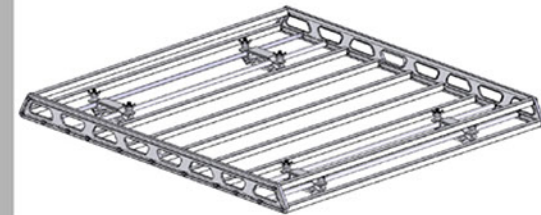
4



The bar saddle mounts work with different shaped load bars



Attach each bar saddle to the roof basket bars. Place the clamp plate on top of the bar saddle and insert the U-bolt around the crossbar, through the bar saddle and clamp plate. Secure with threaded knobs. Make sure the roof basket is properly secured to the crossbars before each use.



Cargo Basket