

### PRODUCT DESCRIPTION

The LED Strip provides versatile and robust lighting for almost any application. With included mounting brackets, lens removal is not required for an easy installation. The small size and clean look make an ideal choice for commercial or architectural applications.

### FEATURES

- 4' available in 4000 and 5200 lumens
- 8' available in 9750 lumens
- 3500/4000/5000K CCT
- 0-10V dimmable
- 120-277V driver
- Surface mounting brackets and 4" j-box cover included

### LISTINGS

- UL-listed to US and Canadian safety standards
- DLC Listed
- FCC
- RoHS
- Damp location listed

### WARRANTY

5 Years

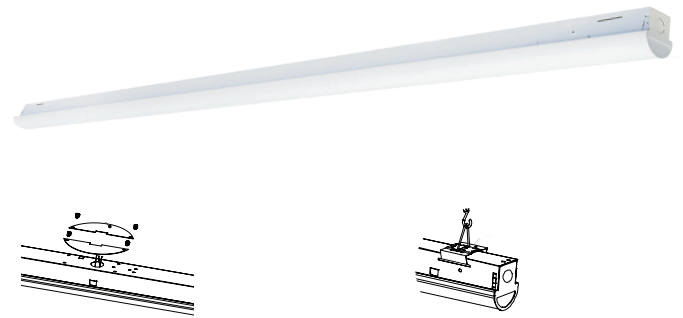
### SPECIFICATIONS

KPN	Family Name	Size (FT)	Voltage (V)	Wattage (W)	Lumens (Lm)	CCT (K)	CRI (Ra)	Lifetime (Hrs)	Pallet QTY	US Stock
K0000020382	Striplight	4	120-277	30	3960	3500	80	50000	252	No
K0000019875	Striplight	4	120-277	30	4020	4000	80	50000	252	Yes
K0000020383	Striplight	4	120-277	30	4080	5000	80	50000	252	No
K0000020384	Striplight	4	120-277	40	5120	3500	80	50000	252	No
K0000019876	Striplight	4	120-277	40	5200	4000	80	50000	252	Yes
K0000020385	Striplight	4	120-277	40	5240	5000	80	50000	252	No
K0000020386	Striplight	8	120-277	65	9600	3500	80	50000	200	No
K0000019877	Striplight	8	120-277	65	9750	4000	80	50000	200	Yes
K0000020387	Striplight	8	120-277	65	9825	5000	80	50000	200	No

FIGURE A



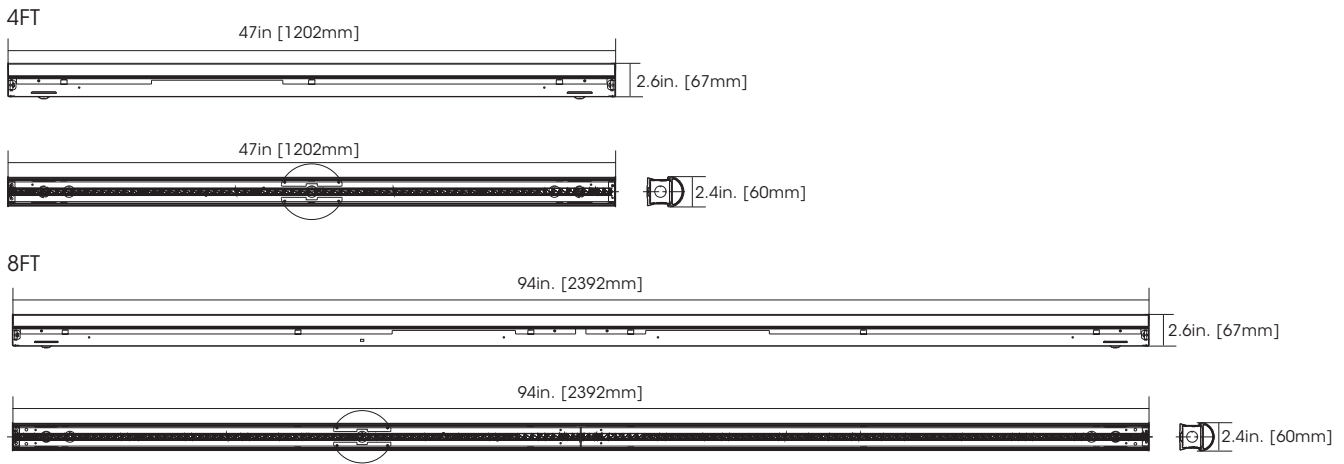
FIGURE B



J-Box Cover

Surface Mounting Brackets

### DIMENSIONS



### OPTICS

