

The Curve Grab Bar

Assembly Instructions:

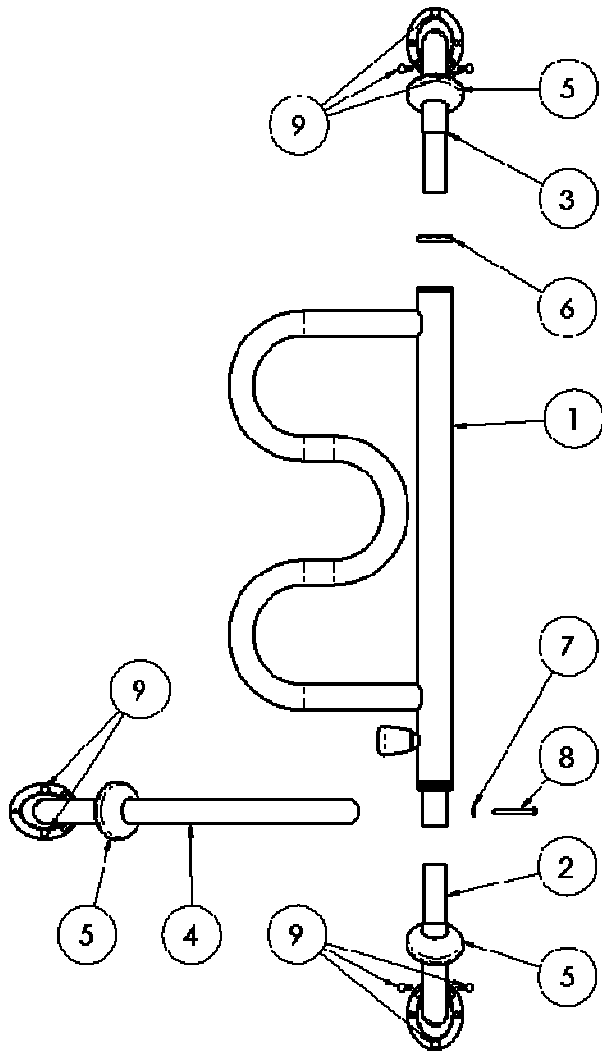


FIGURE 1

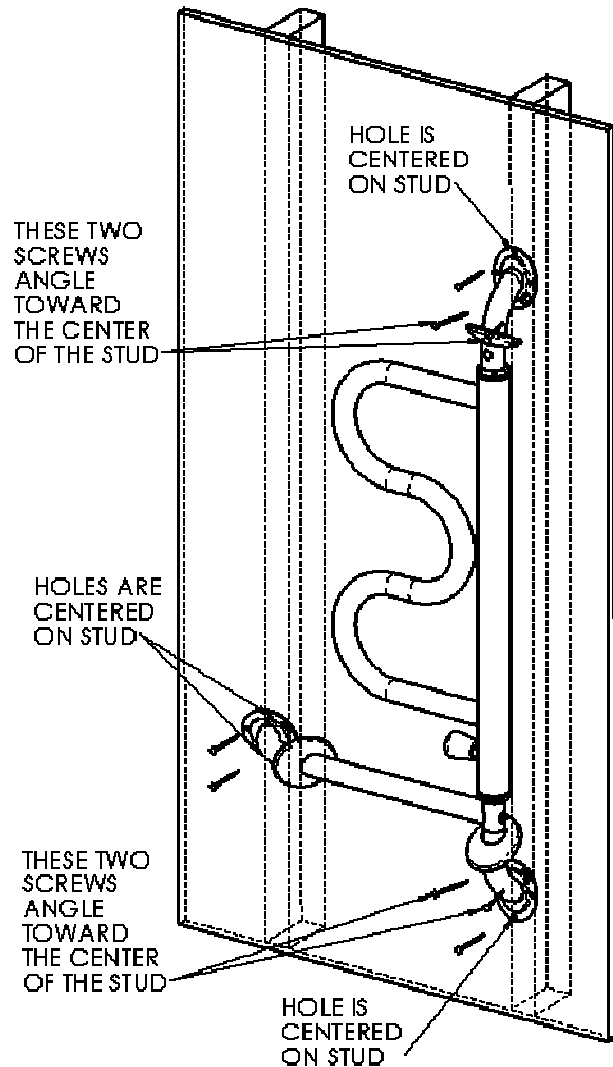


FIGURE 2

ITEM LIST:

- | | |
|---|--------------------------------------|
| 1. Curved Handle | 6. Pivot Bushing |
| 2. Base Mount (Has a hole through tube) | 7. Washer |
| 3. Top Mount (No hole through tube) | 8. Socket Head Screw |
| 4. Horizontal Mount | 9. Wood Screws (Quantity 10) 2 Extra |
| 5. Cover Cap (Quantity 3) | 10. Allen Head Wrench (not shown) |

STEP 1:

Take all items out of the box and lay them on a flat surface as shown in Figure 1.

Put Cover Caps (Item-5) on Items 2, 3, and 4 as shown in Figure 1.

STEP 2:

Insert the Base Mount (Item-2) into the Curved Handle (Item-1) and align the holes to insert Socket Head Screw (Item-8).

Insert the Socket Head Screw (Item-8) into the Washer (Item-7) and insert the Socket Head Screw through the aligned holes of the Curved Handle (Item-1) and Base Mount (Item-2).

STEP 3:

Align Horizontal Mount (Item-4) with the Socket Head Screw (Item-8) and use the included Allen Head Wrench to tighten the Socket Head Screw into the threaded end of the Horizontal Mount (Item-4).

Note: The threaded end of the Horizontal Mount (Item-4) is located on the inside of the Horizontal Mount tube. Make sure the Socket Head Screw is aligned before tightening. If the Socket Head Screw is not aligned, you can damage the threaded end of the Horizontal Mount (Item-4).

STEP 4:

Before inserting the Top Mount (Item-3) into the Curved Handle (Item-1), slide the Pivot Bushing (Item-6) onto Top Mount (Item-3).

Note: The Pivot Bushing (Item-6) has a large radius (rounded) edge on one side. Slide the large radius (rounded) side on first.

STEP 5:

Determine the location that you would like to install the Curve Grab Bar. Once you have determined the location, you will need to locate the studs behind the wall. The studs are the rectangular shaped wood structures that support the wall. The studs are perpendicular to the floor and the studs are spaced 16 inches apart behind the wall.

It is important that all 8 wood screws are securely fastened into the studs. There are several options used to locate the studs behind the wall.

- Use a magnet. The wall is attached to the studs with steel nails. As you scan a wall with the magnet, the magnet will be attracted to the steel nail and show you where the center of the stud is located.
- Most home improvement stores sell stud locators.
- Ask someone with experience or have a local contractor install the Curve Grab Bar for you.

STEP 6:

With the studs located, lightly draw a vertical line with a pencil to represent the center line of the two studs that the Curve Grab Bar will be mounted to. Have someone hold the assembled Curve Grab Bar in the desired location such that the 2 marked holes in Figure 3 and the bottom hole in Figure 4 and the top hole in Figure 5 are all on the vertical center lines of the studs as shown in Figure 2.

Lightly mark with a pencil the location of the 2 mounting holes shown in Figure 3. These 2 mounting holes should line up with the center line of one of the studs. Also mark with a pencil the location of the 3 mounting holes shown in Figure 4. Do not mark the 3 holes shown in Figure 5 yet.

STEP 7:

Remove the Curve Grab Bar from the wall and drill the 5 marked holes with a 1/8 inch diameter drill bit as shown in Figure 3 and Figure 4. Remember, the angled holes shown in Figure 4 are drilled at an angle toward the center line of the stud.

STEP 8:

After the 5 holes have been drilled, have someone hold the assembled Curve Grab Bar in the desired location and screw all 5 screws through the brackets as shown in Figure 3 and Figure 4. After the Curve Grab Bar is secured to the wall with the 5 screws, mark the final 3 holes shown in Figure 5.

STEP 9:

Remove the Top Mount (Item-3) along with the Cover Cap (Item-5) and Pivot Bushing (Item-6) in order to drill the final 3 holes. After the final 3 holes shown in Figure 5 are drilled, reassemble the Top Mount (Item-3), Cover Cap (Item-5), and the Pivot Bushing (Item-6) and screw the final 3 screws through the Top Mount (Item-3) bracket as shown in Figure 5.

STEP 10:

Slide the Cover Caps (Item-5) over the wall brackets and snap them into place with light pressure.

NOTE: SLIGHT MOVEMENT OF THE INSTALLED HANDLE IS NORMAL AND SAFE. THIS MOVEMENT ALLOWS THE LOCKING PIN TO EASILY LOCK INTO 5 USER POSITIONS.

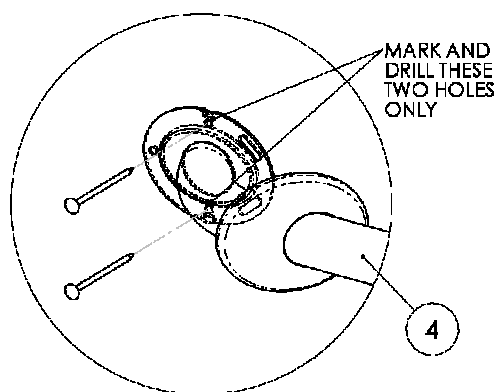


FIGURE 3

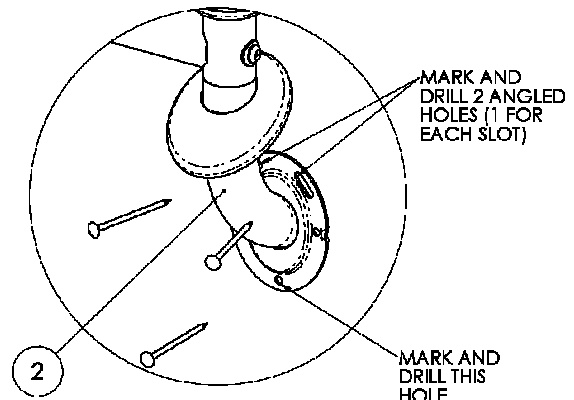


FIGURE 4

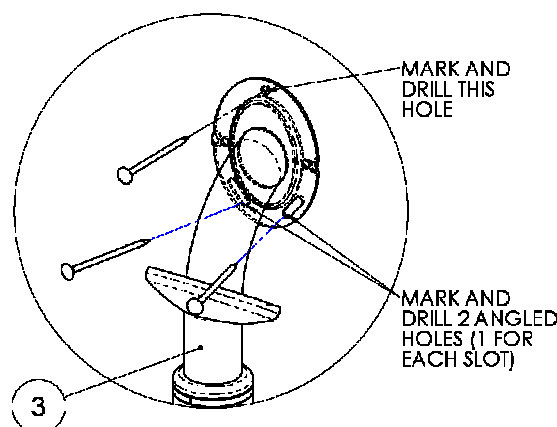


FIGURE 5

WARNING: Please read before using this product.

1. Serious injury or death can result if the Curve Grab Bar is not properly installed. Standers Inc. is committed to providing safe products and informing the user of ways to prevent accidents.

SAFETY PRECAUTIONS:

- ✓ Regularly check the Curve Grab Bar to make sure it is tightly secured to the wall.
 - ✓ The Curve Grab Bar uses a spring loaded pin that allows the handle to rotate and lock into several user positions. Make sure that the rotating handle is in a locked position before using the product. If the rotating handle is not locked before using, the user may fall and serious injury or harm could result.
 - ✓ Additional safety measures should be taken for users that are a high risk. High risk users include those who are not mentally conscious (including those individuals under medication), users who have size or weight conditions, or any condition that impair their ability to use the Curve Grab Bar without assistance.
 - ✓ Do not put head or arms into openings of the Curve Grab Bar. Serious Injury or Death could result.
 - ✓ If you have any concerns or questions regarding these precautions, please contact Standers at 1-800-506-9901.
2. If you are suffering from an ailment or injury or are taking medications that affect your balance or ability to stand or sit down, you should first consult with a physician before using this product. If the product is not used properly, serious injury or harm could result.
 3. This product is designed to provide balance and support while sitting and standing. Do not hang or swing from the Curve Grab Bar. Weight capacity is 300 pound of direct vertical weight.
 4. The product instructions must be carefully followed to ensure that the product is properly assembled and positioned. Failure to follow the instructions could result in serious injury to the user(s) of the product.
 5. Children should not be allowed to hang on or play with the product.
 6. **DISCLAIMER:** Neither Standers, Inc. nor the manufacture is liable for any harm or injury that may result or has resulted from the improper use or assembly of the product.

Limited Warranty

Congratulations on your purchase of your Standers brand product. We hope that it will ease your daily living. Please read the following warranty statement for your protection.

Standers, Inc. warrants to the original purchaser that this product will be free from defects in material and/or workmanship for 1 year from the date of purchase.

During the warranty period, Standers, Inc. will correct any defects in material or workmanship, at no charge. The original purchaser, however, must prepay shipping cost. Any replacement parts will be new and are warranted for the remainder of the original warranty or thirty (30) days from the date of shipment, whichever is longer. The original purchaser must notify Standers, Inc. during the warranty period in writing of the defect in workmanship or material. This warranty is not transferable and covers only normal use. **NO SHIPPING CHARGES ARE REFUNDABLE.**

The warranty does NOT cover the following:

- Damage during shipment other than original shipment to retailer.
- Damage caused by unauthorized attachments, alterations, or modifications.
- Damage caused by the use of the product for purposes other than those for which the product was designed or intended.
- Damage caused by any other abuse, misuse, mishandling or misapplication.

Under no circumstances shall Standers, Inc. be liable for any special, incidental, or consequential damages based upon breach of this limited warranty, breach of contract, or strict liability.

THERE ARE NO WARRANTIES WHICH EXTEND BEYOND THE DESCRIPTION ON THE FACE HEREOF. ALL OTHER WARRANTIES, EXPRESS OR IMPLIED (INCLUDING ALL IMPLIED WARRANTIES OF MERCHANTABILITY OR FITNESS FOR A PARTICULAR PURPOSE), ARE HEREBY DISCLAIMED.

Some states do not allow limitations on how long an implied warranty lasts, so the above limitation may not apply to you. This warranty gives you specific legal right, and you may also have other rights, which vary from state to state.

To obtain service under this warranty, you can reach Standers Inc. at 74 Canterbury Circle, Logan, Utah 84321.