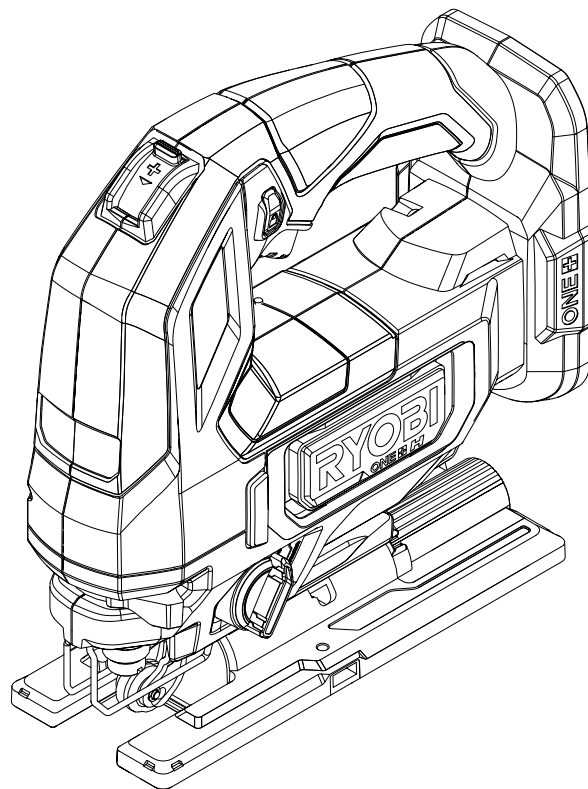


REPAIR SHEET

BRAND RYOBI	DESCRIPTION 18 Volt Brushless Jig Saw
MODEL NO. PBLJS01	

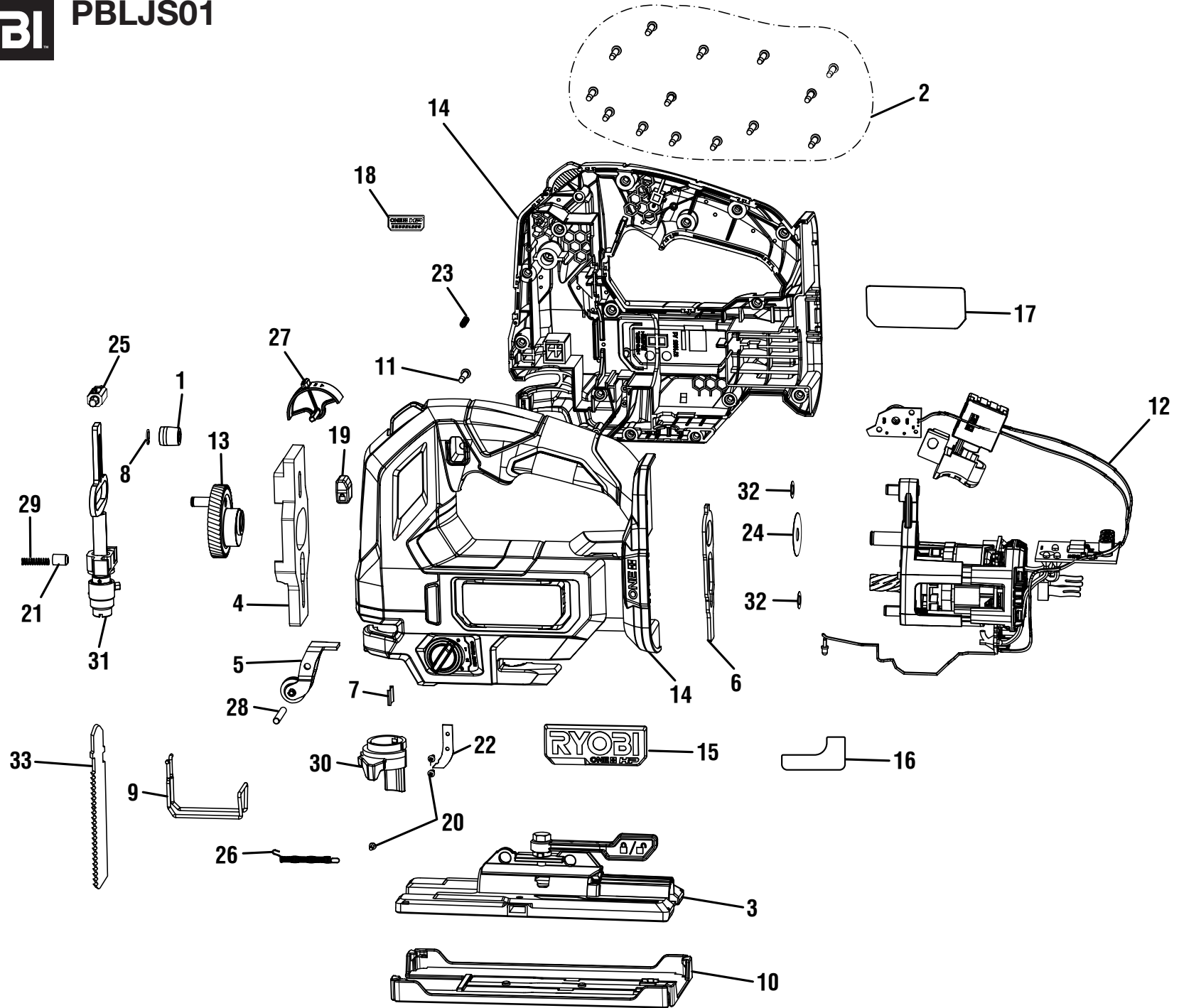


ONE WORLD TECHNOLOGIES, INC.

P.O. Box 1288, Anderson, SC 29622 ■ 1-800-525-2579 ■ www.ryobitools.com

12-7-20 (Rev:02)

The model number and manufacturing location will be found on a label attached to the product. Always mention this information in all communications regarding this product and when ordering parts.



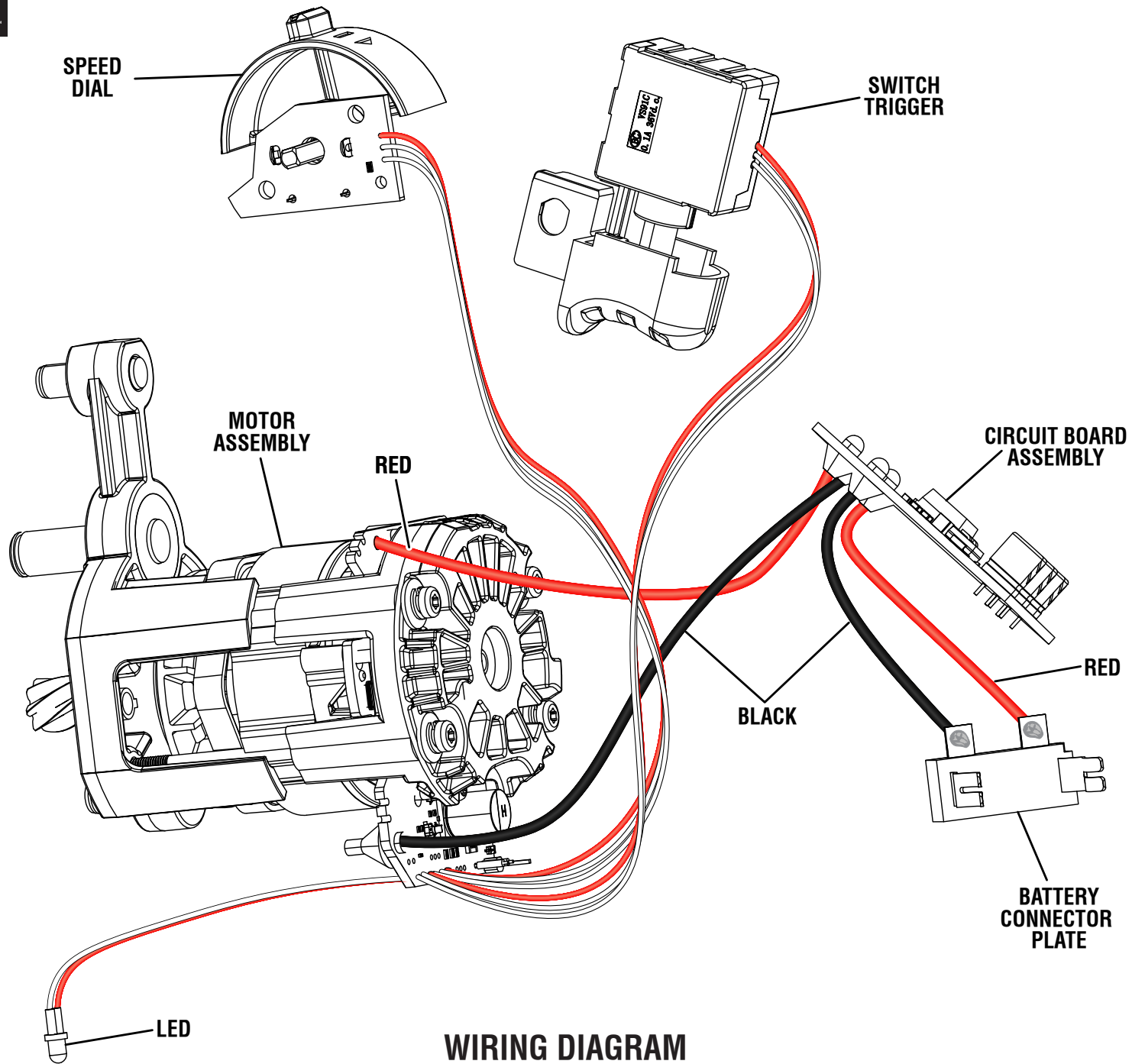


PBLJS01

PARTS LIST

KEY NO.	PART NO.	DESCRIPTION	QTY.
1	697123001	Gear Bushing	1
2	660031017	Screw (M3.5 x 16 mm, Torx Pan Hd.)	14
3	206795001	Base Assembly	1
4	613663001	Counter Balance	1
5	312418002	Roller Assembly	1
6	637637001	Drive Plate	1
7	633420001	Housing Clip	1
8	670704001	Retaining Ring	1
9	635565002	Guard Wire	1
10	536214001	Base Cover	1
11	661902001	Screw w/Washer (M2 x 14 mm, Torx Hd.)	1
12	206791002	Motor and Circuit Board Assembly	1
13	206792001	Helical Gear (46T) Assembly	1
14	204454014	Housing Assembly (Inc. Key Nos. 15-18)	1
15	565884001	RYOBI Logo Badge	1
16	941123197	Battery Statement Label	1
17	941123198	Data Label	1
18	565722001	Brushless Logo Badge	1

KEY NO.	PART NO.	DESCRIPTION	QTY.
19	541997001	Lock-on Button	1
20	660226004	Screw (M2 x 6 mm, Pan Hd.)	3
21	613286001	Saw Bar Sleeve	1
22	535418001	PVC Sheet	1
23	696074002	Lever Spring	1
24	631669001	Washer (OD28)	1
25	613632001	Upper Bushing	1
26	696767003	Spring	1
27	526393002	Speed Dial	1
28	673814001	Pin	1
29	697080001	Sleeve Spring	1
30	541998001	Blade Release Lever	1
31	312176005	Saw Bar Steel and Tube	1
32	670914001	Flat Washer	2
33	682510001	Blade	1
	Not Shown:		
	998000302	Operator's Manual (961153436)	



WIRING DIAGRAM