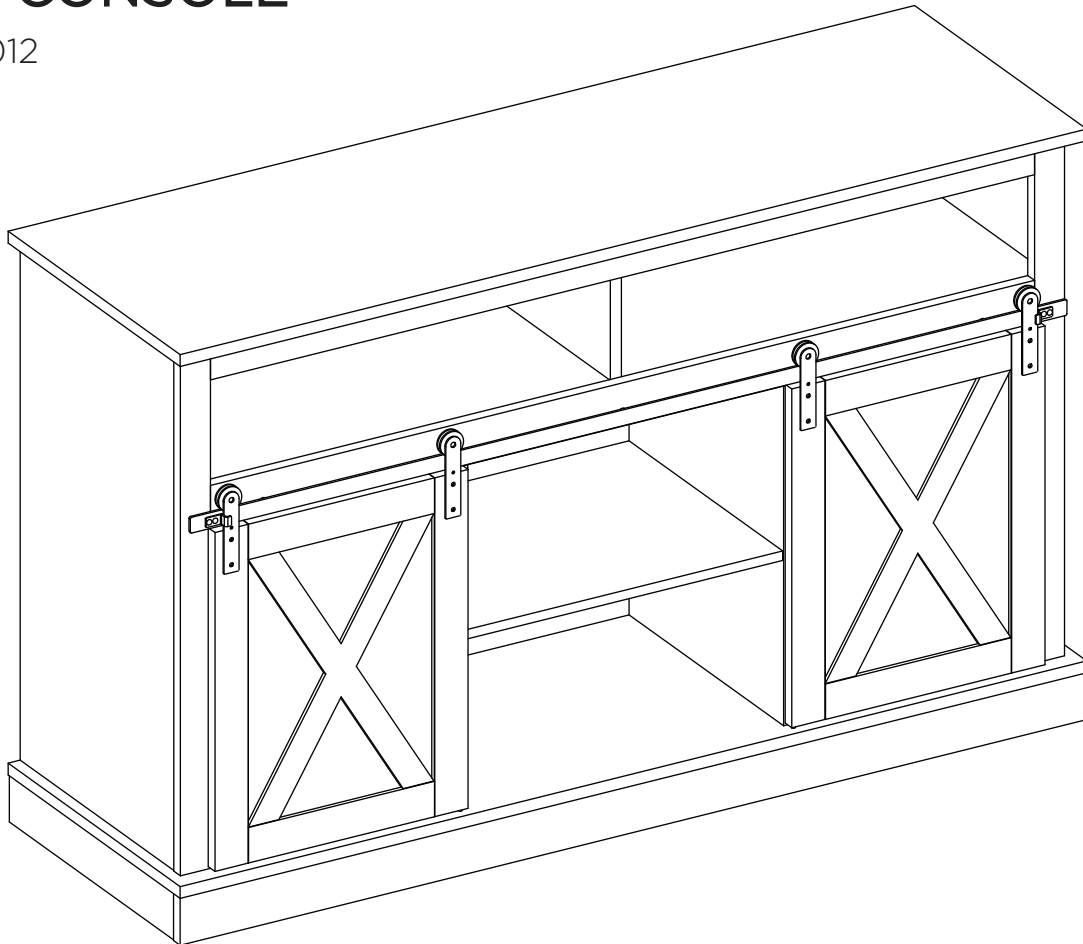


ARCADIA  
**MEDIA CONSOLE**

Item#: 64012



**ATTACH YOUR RECEIPT**

Keep a copy of your proof of purchase or order confirmation, which will be needed if you need to contact us about warranty coverage.

Purchase date: \_\_\_\_\_



**SAVE THESE INSTRUCTIONS FOR FUTURE REFERENCE.**



**Questions, problems, missing parts?**

Before returning to your retailer, our Florida-based customer service team is available:

Call toll-free (866) 985-7877  
Email [cservice@welltraveled.net](mailto:cservice@welltraveled.net)  
Live Chat [www.balkenehome.com](http://www.balkenehome.com)

9 am - 9 pm, EST

9 am - 6 pm, EST, Monday - Friday



## BEFORE YOU BEGIN

Before beginning assembly, make sure all parts are present. Compare parts received with the "Parts List." If any part is missing or damaged, do NOT attempt to assemble the product. Please read and understand this entire manual before attempting to assemble this product. If you have any questions regarding the product, please contact Customer Service.

Call toll-free **(866) 985-7877**

9 am – 9 pm, EST

Email **[cservice@welltraveled.net](mailto:cservice@welltraveled.net)**

Live Chat **[www.balkenehome.com](http://www.balkenehome.com)**

9 am – 6 pm, EST, Monday – Friday



## GENERAL INFORMATION

This product is made of particle board and MDF. For safe assembly, work on a dry, soft, secure, and clean surface. Do not clean with detergents or chemicals. Do not sit or stand on the unit. Do not place damp or hot items such as coffee cups directly on the surface of this item. Keep away from direct sunlight and water. Do not drag the unit. For indoor use only.



## SAFETY INFORMATION

### WARNING

DO NOT sit or stand, or allow children to sit or stand on the assembled product. Make sure connectors are securely in place. Perform periodic checks to ensure the connectors remain secure and adjust if needed. Keep unassembled parts and hardware away from children and infants. This package contains small parts and sharp edges. Adult assembly required.

### CAUTION

READ all instructions before beginning assembly. Failure to do so may result in faulty assembly and potential injury. Assemble the item on a soft, nonabrasive surface such as carpet or cardboard to avoid damaging the item.

### Max safe load limit:

Top: 20 KG / 44 LB

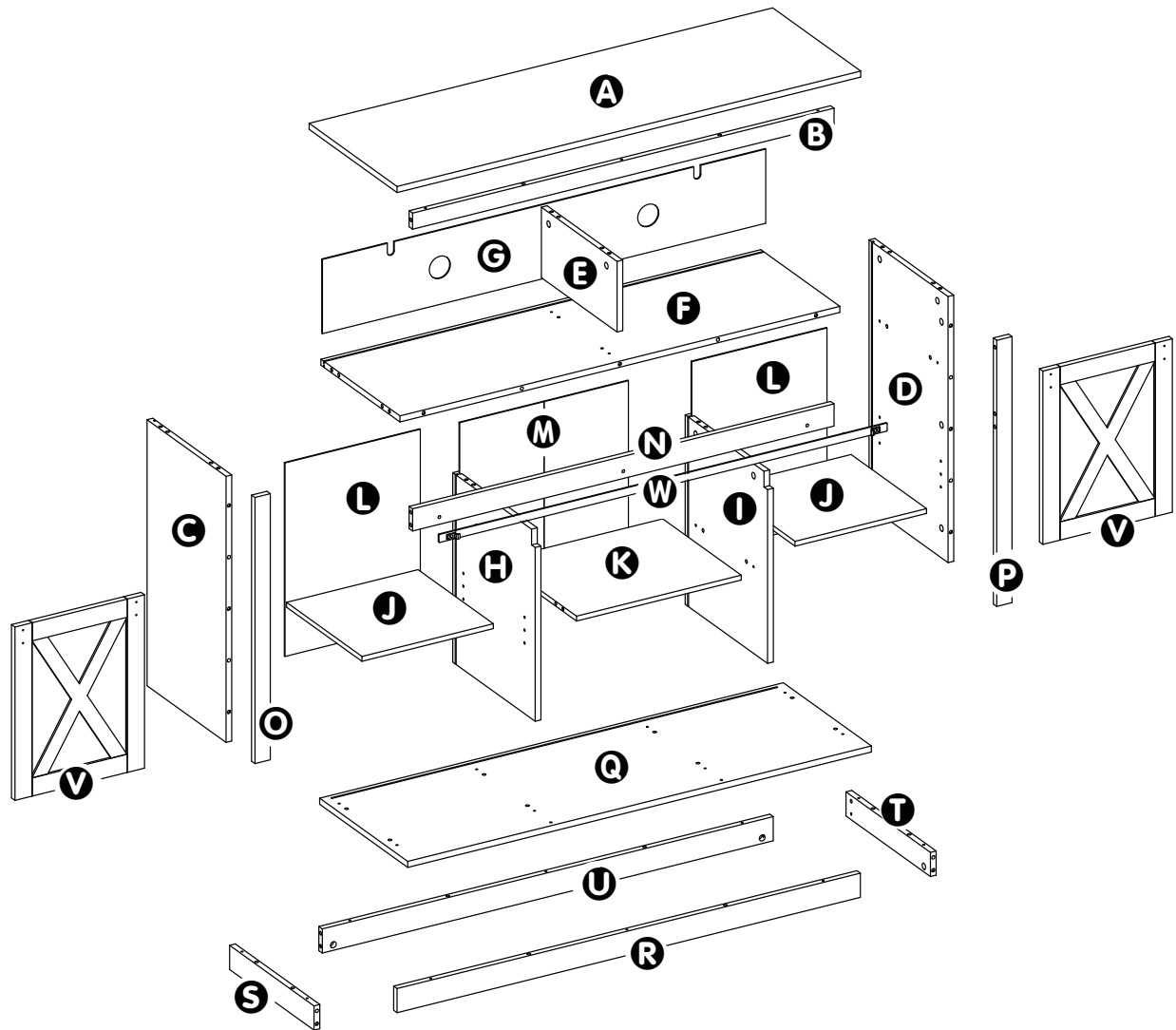
Top Open Shelves: 10 KG / 22 LB (each)

Lower Open Shelves: 8 KG / 17.5 LB

End Compartments: 8 KG / 17.5 LB (per shelf)

# PARTS LIST

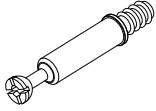
# BALKENE —HOME—



PART	DESCRIPTION	QTY	PART	DESCRIPTION	QTY	PART	DESCRIPTION	QTY
<b>A</b>	Top Panel	1	<b>I</b>	Right Divider	1	<b>Q</b>	Base Panel	1
<b>B</b>	Top Face Frame	1	<b>J</b>	Interior Shelf	2	<b>R</b>	Base Front	1
<b>C</b>	Left Side	1	<b>K</b>	Center Shelf	1	<b>S</b>	Base Left Side	1
<b>D</b>	Right Side	1	<b>L</b>	Side Backer	2	<b>T</b>	Base Right Side	1
<b>E</b>	Center Divider	1	<b>M</b>	Center Backer	1	<b>U</b>	Base Back	1
<b>F</b>	Top Shelf	1	<b>N</b>	Center Face Frame	1	<b>V</b>	Door	2
<b>G</b>	Top Backer	1	<b>O</b>	Left Face Frame	1	<b>W</b>	Door Rail	1
<b>H</b>	Left Divider	1	<b>P</b>	Right Face Frame	1			

# HARDWARE CONTENTS

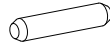
# BALKENE —HOME—



**1**  
Cam Bolt  
6x35mm  
Qty: 31



**2**  
Cam Nut  
Qty: 31



**3**  
Dowel  
6x30mm  
Qty: 54



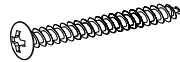
**4**  
Shelf Bracket  
Qty: 8



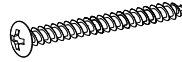
**5**  
Screw  
4x12mm  
Qty: 2



**6**  
Screw  
4x35mm  
Qty: 12



**7**  
Screw  
4x50mm  
Qty: 3



**8**  
Screw  
4x65mm  
Qty: 10



**9**  
Screw  
3x16mm  
Qty: 16



**10**  
Backer Bracket  
Qty: 16



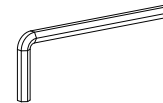
**11**  
Track Pin  
Qty: 2



**12**  
Anchor Bracket  
Qty: 2



**13**  
Drywall Anchor  
Qty: 2



**14**  
Hex Wrench  
Qty: 1



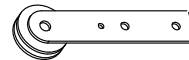
**15**  
Hex Bolt  
6x18mm  
Qty: 3



**16**  
Screw  
4x12mm  
Qty: 4



**17**  
Screw  
4x12mm  
Qty: 8



**18**  
Hanger Roller  
Qty: 4

## YOU WILL NEED FOR ASSEMBLY:

(not included)

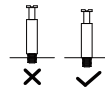
Phillips-head screwdriver

Mallet or hammer

Power drill (to anchor unit to wall)

# ASSEMBLY

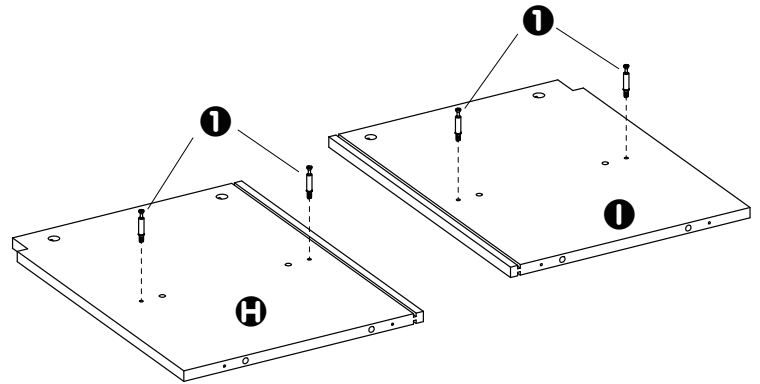
# BALKENE —HOME—



**ASSEMBLY NOTE:** Use a Phillips-head screwdriver to tighten each Cam Bolt you install until its threads are fully inserted.

**1** Insert **Cam Bolts 1** into the indicated holes in the **Left/Right Dividers H/I**. Use a Phillips-head screwdriver to tighten.

Hardware Required: **1** Cam Bolt x4

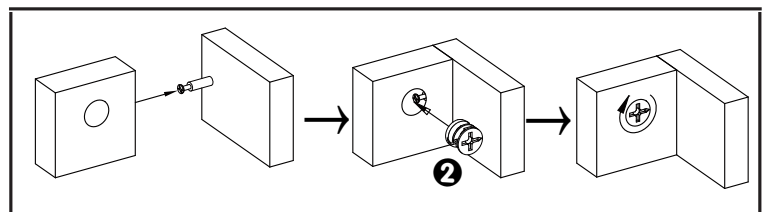
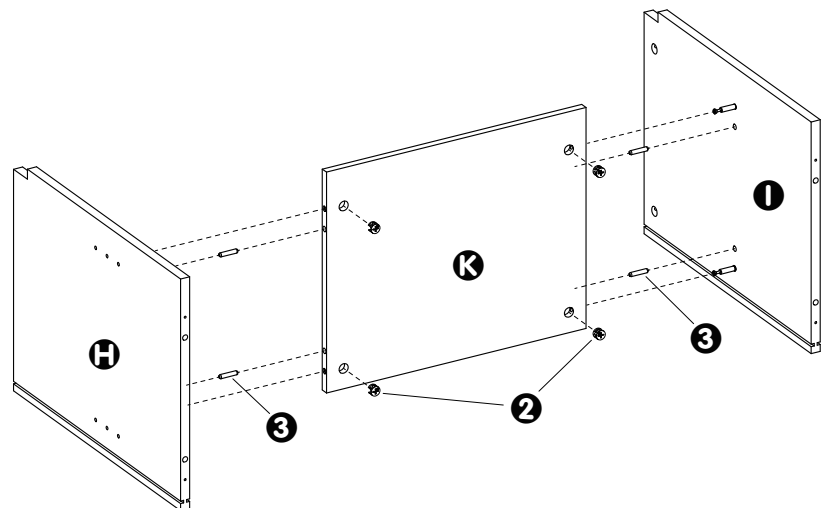


**2** Place **Dowels 3** in the 2 holes between each pair of **Cam Bolts 1** installed in Step 1.

Insert the **Cam Bolts** and **Dowels** installed in the **Left Divider H** into the corresponding holes in the left edge of the **Center Shelf K** as shown. Secure by inserting a **Cam Nut 2** into each of the adjoining holes in the underside of the **Center Shelf**. Use a Phillips-head screwdriver to turn the **Cam Nuts** clockwise to secure the **Cam Bolts**.

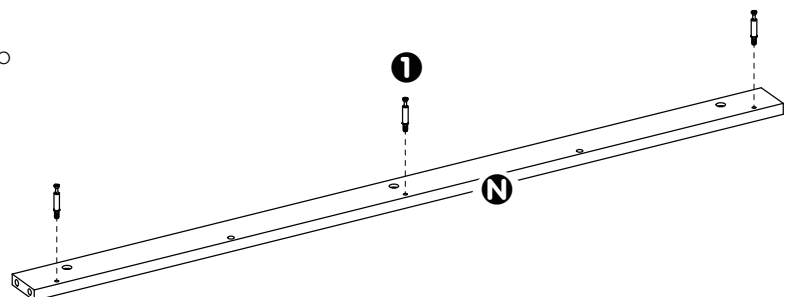
Attach the **Right Divider I** to the right edge of the **Center Shelf** using the same method.

Hardware Required: **2** Cam Nut x4  
**3** Dowel x4



**3** Insert 3 **Cam Bolts 1** as indicated in the **Center Face Frame N**. Use a Phillips-head screwdriver to tighten.

Hardware Required: **1** Cam Bolt x3

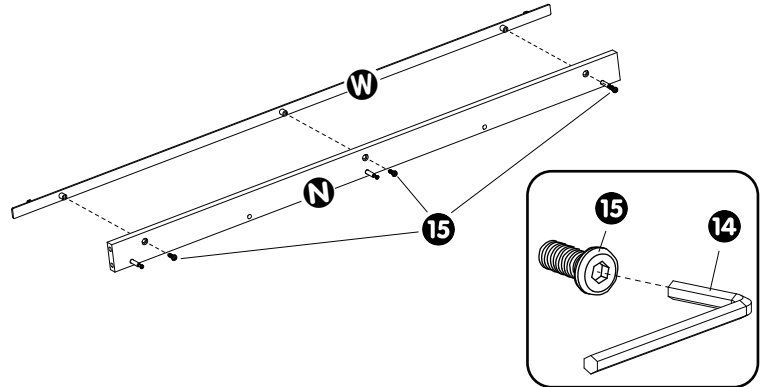


# ASSEMBLY

# BALKENE —HOME—

**4** Attach the Door Rail **W** to the Center Face Frame **N** with 3 Hex Bolts **15**. Use the Hex Wrench **14** to tighten the Hex Bolts.

Hardware Required: **14** Hex Wrench  
**15** Hex Bolt x3

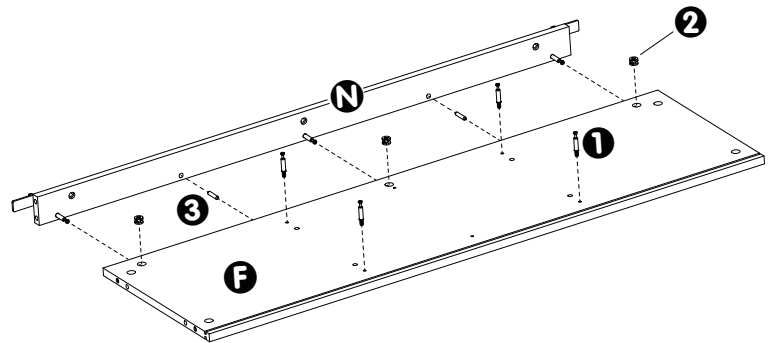


**5** Place Dowels **3** in the 2 holes between the Cam Bolts **1** on the Center Face Frame **N**.

Insert the Cam Bolts and Dowels installed in the Center Face Frame into the corresponding holes in the front edge of the Top Shelf **F** as shown. Secure by inserting a Cam Nut **2** into each of the adjoining 3 holes in the underside of the Shelf. Use a Phillips-head screwdriver to turn the Cam Nuts clockwise to secure the Cam Bolts.

Insert 4 Cam Bolts **1** as indicated in the underside of the Top Shelf.

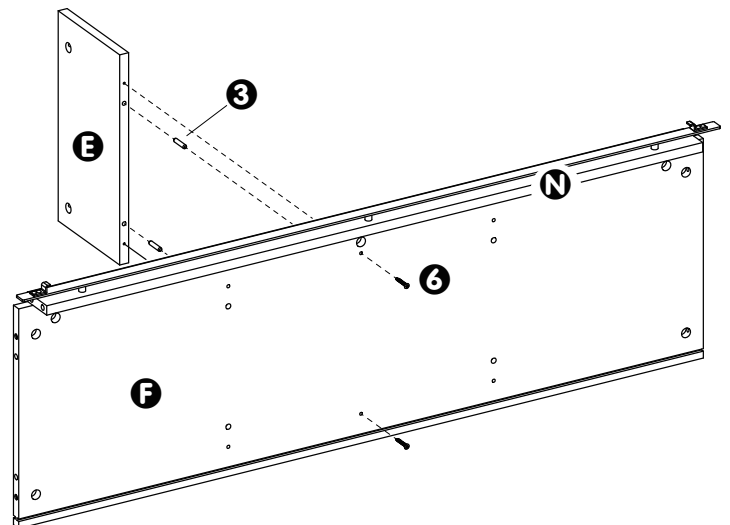
Hardware Required: **1** Cam Bolt x4  
**2** Cam Nut x3  
**3** Dowel x2



**6** Place 2 Dowels **3** in the bottom edge of the Center Divider **E**. Insert the Dowels into the holes at the center of the Top Shelf **F**.

Affix the 2 panels together by inserting 2 Screws **6** through the bottom of the Top Shelf and into the edge of the Center Divider. Use a Phillips-head screwdriver to tighten.

Hardware Required: **3** Dowel x2  
**6** Screw (4x35mm) x2



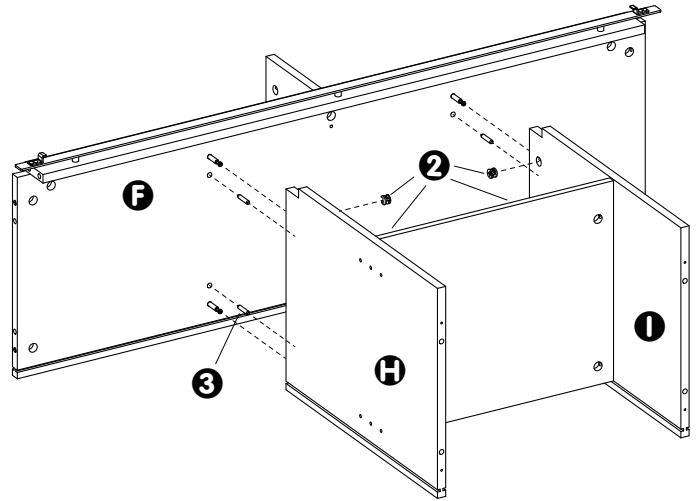
# ASSEMBLY

# BALKENE —HOME—

**7** Insert **Dowels 3** in the top edges of the **Left/Right Dividers H/I**.

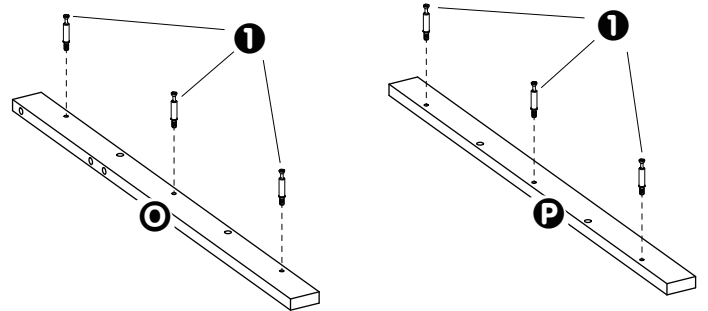
Insert the **Cam Bolts 1** installed in the underside of the **Top Shelf F** into the holes in the top edges of the **Dividers**. Secure by inserting a **Cam Nut** into each of the adjoining holes in the insides of the **Dividers**. Use a Phillips-head screwdriver to turn the **Cam Nuts** clockwise to secure the **Cam Bolts**.

Hardware Required: **2** Cam Nut x4  
**3** Dowel x4



**8** Insert 3 **Cam Bolts 1** per panel as indicated in the **Left/Right Face Frames O/P**. Use a Phillips-head screwdriver to tighten.

Hardware Required: **1** Cam Bolt x6



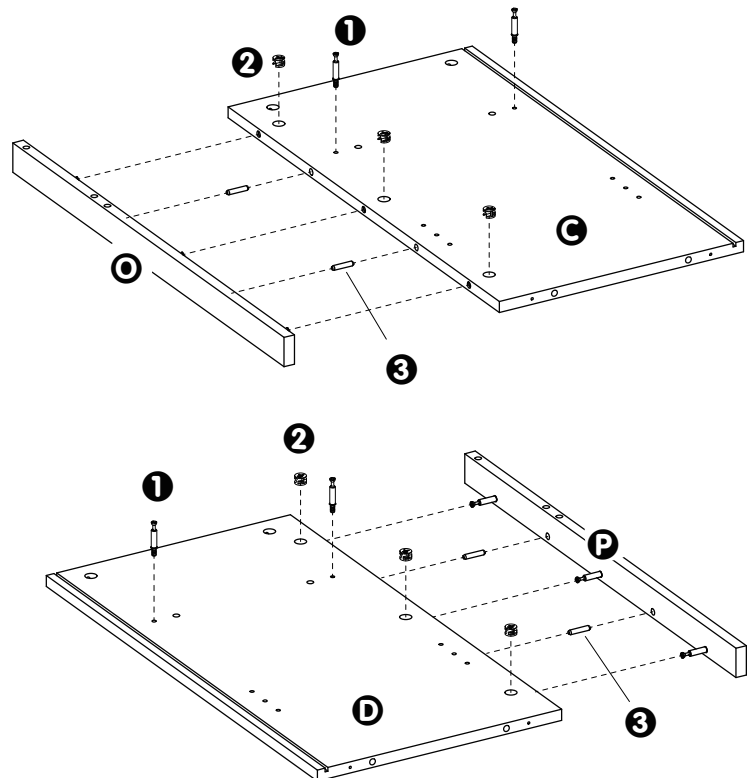
**9** Place **Dowels 3** in the 2nd and 4th holes on the front edges of the **Left/Right Sides C/D**.

Insert the **Cam Bolts 1** previously installed in the **Left Face Frame O** into the corresponding holes in the edge of the **Left Side C** as shown. Secure by inserting a **Cam Nut 2** into each of the adjoining holes in the **Left Side**. Use a Phillips-head screwdriver to turn the **Cam Nuts** clockwise to secure the **Cam Bolts**.

Attach the **Right Face Frame P** to the **Right Side D** using the same method.

Insert 2 **Cam Bolts 1** in each **Side** as indicated.

Hardware Required: **1** Cam Bolt x4  
**2** Cam Nut x6  
**3** Dowel x4



# ASSEMBLY

# BALKENE —HOME—

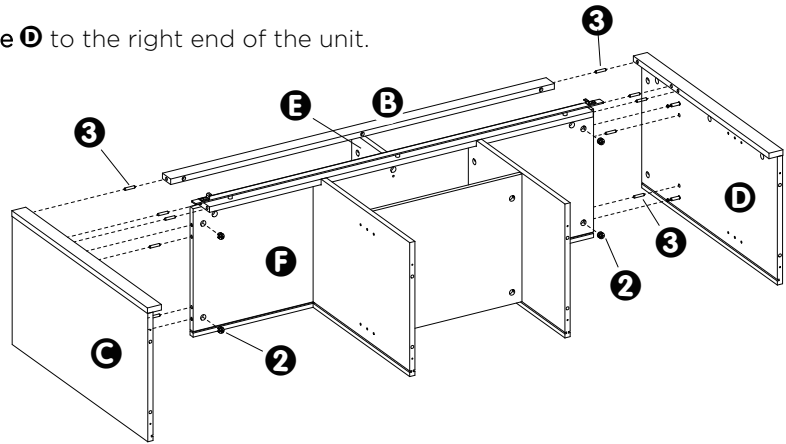
- 10** Insert 5 Dowels **3** into the indicated holes on the **Left Side C**.  
Insert the Dowels and Cam Bolts **1** installed in the **Left Side** into the corresponding holes in the left edge of the **Top Shelf F/Center Face Frame N**.

Secure by inserting a **Cam Nut 2** into each of the 2 adjoining holes in the underside of the **Top Shelf**. Use a Phillips-head screwdriver to turn the **Cam Nuts** clockwise to secure the **Cam Bolts**.

Lay the **Top Face Frame B** in place across the front of the **Center Divider E** as shown, sliding the left end onto the remaining Dowel in the **Left Side**.

Follow the above steps to attach the **Right Side D** to the right end of the unit.

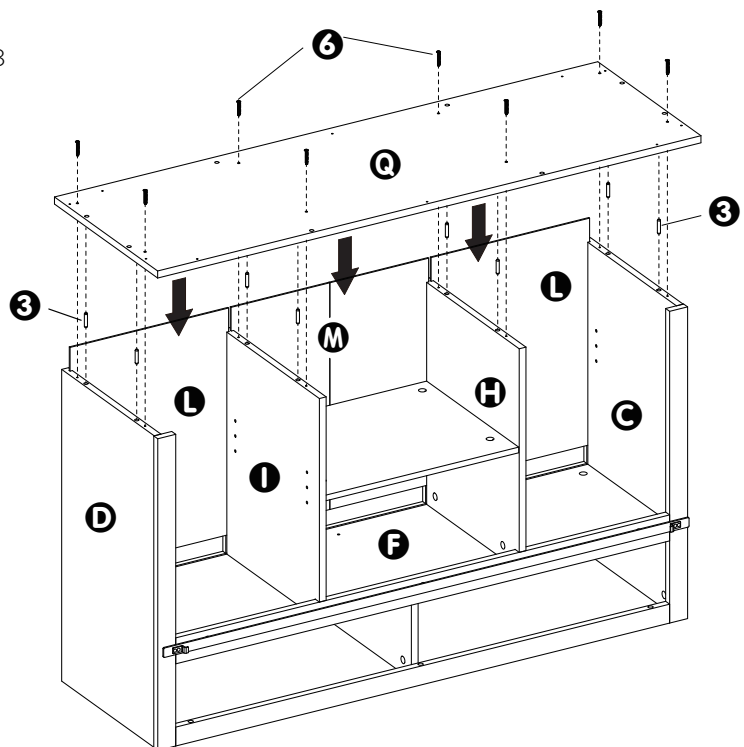
- Hardware Required:
- 2** Cam Nut x4
  - 3** Dowel x10



- 11** Slide the **Side Backers L** and **Center Backer M** into the grooves along the back of the unit.  
Insert 8 Dowels **3** into the bottom edges of the vertical panels **C/H/I/D**.

Secure the **Base Panel Q** in place using 8 **Screws 6** as shown.

- Hardware Required:
- 3** Dowel x8
  - 6** Screw (4x35mm) x8



UNIT SHOWN  
UPSIDE-DOWN  
FOR EASIER  
COMPONENT  
INSTALLATION.

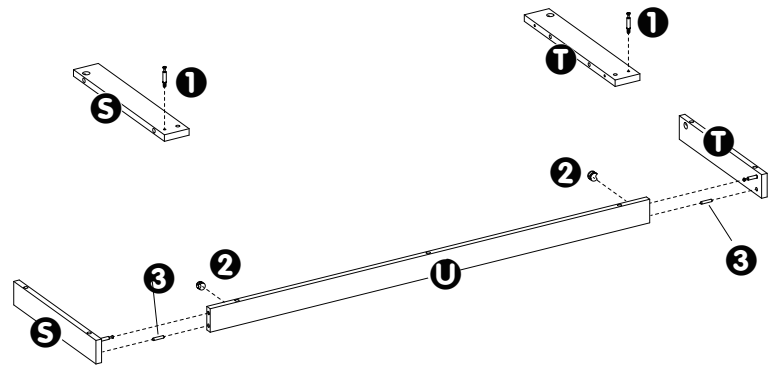
# ASSEMBLY

# BALKENE —HOME—

**12** Install a **Cam Bolt 1** in each **Base Side 5/11**.  
Place a **Dowel 3** into either end of the **Base Back 10**. Insert the **Cam Bolt** installed in the **Left Base Side 5** into the left edge of the **Base Back**. Insert a **Cam Nut 2** in the adjoining hole and turn clockwise to secure the **Cam Bolt**.

Attach the **Right Base Side 11** by the same method.

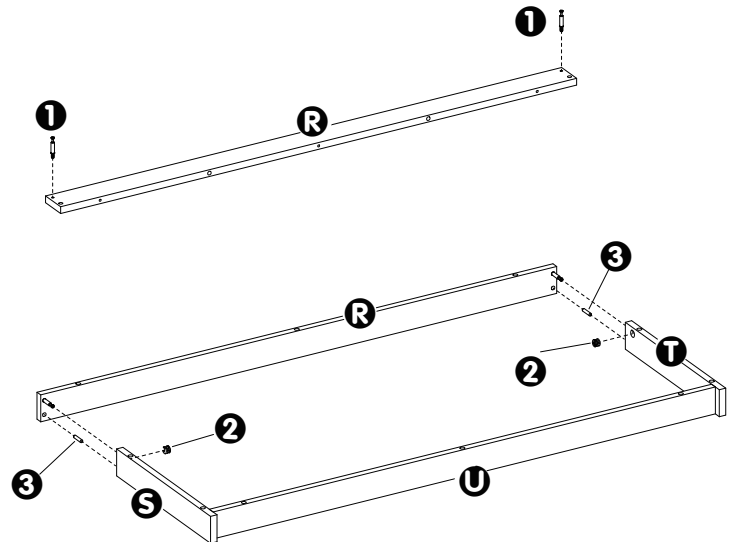
Hardware Required: **1** Cam Bolt x2  
**2** Cam Nut x2  
**3** Dowel x2



**13** Install 2 **Cam Bolts 1** in the **Base Front 13**.  
Place a **Dowel 3** into the edge of the **Left/Right Sides 5/11**. Insert the **Cam Bolts** in the **Base Front** into the base **Sides**.

Insert a **Cam Nut 2** into each of the adjoining holes and turn clockwise to secure the **Cam Bolts**.

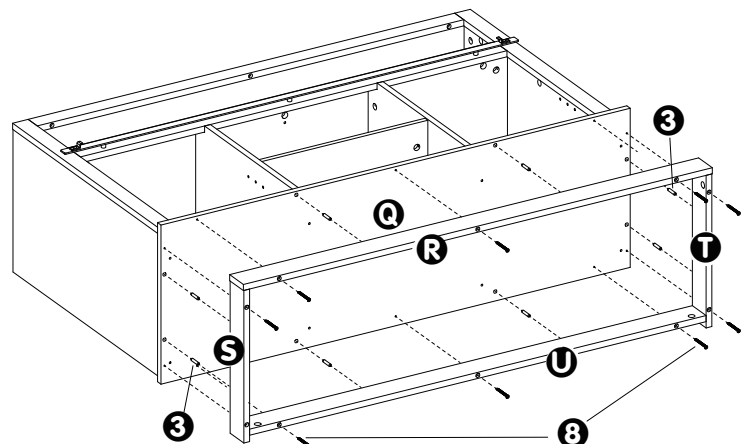
Hardware Required: **1** Cam Bolt x2  
**2** Cam Nut x2  
**3** Dowel x2



**14** Place 8 **Dowels 3** in the top edge of the assembled base.

Secure the base to the unit by inserting 10 **Screws 8** through the bottom edge of the joined base pieces and into the bottom of the **Base Panel 9**.

Hardware Required: **3** Dowel x8  
**8** Screw (4x65mm) x10



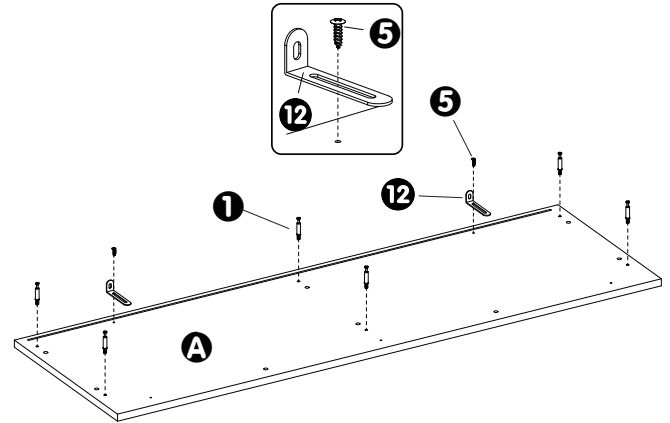
# ASSEMBLY

# BALKENE —HOME—

**15** Insert a total of 6 **Cam Bolts** into the indicated holes in the underside of the **Top Panel A**.

Attach each **Anchor Bracket** near the back edge of the **Top Panel** using a **Screw** **5**.

- Hardware Required:
- 1** Cam Bolt x6
  - 5** Screw (4x12mm) x2
  - 12** Anchor Bracket x2



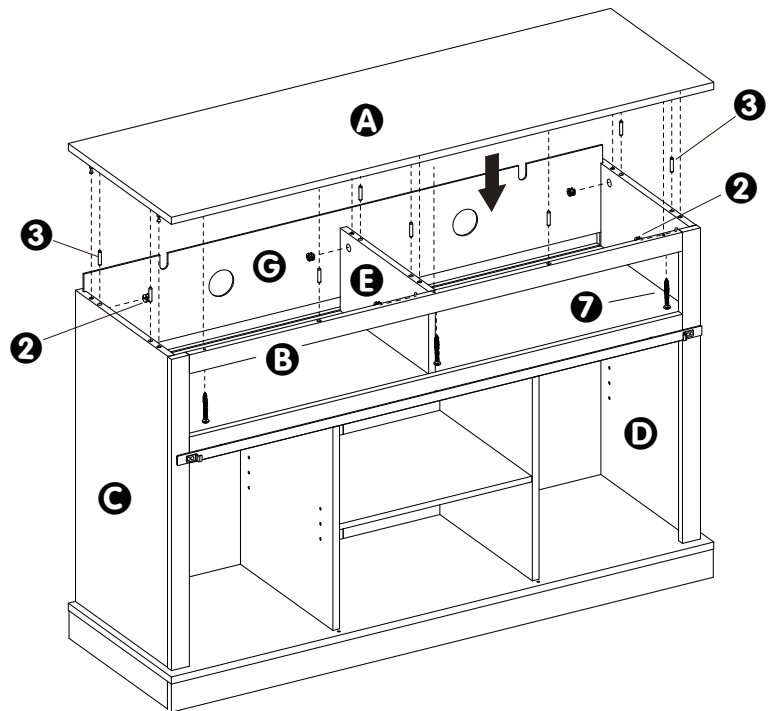
**16** Place 10 **Dowels** **3** as indicated in the top edges of the **Left Side C**, **Center Divider E**, **Right Side D** and **Top Face Frame B**.

Slide the **Top Backer G** into place in the groove at the top rear of the unit.

Insert the **Cam Bolts** in the **Top Panel A** into the top edges of the vertical panels. Insert a **Cam Nut** **2** into each of the adjoining holes and turn clockwise to secure the **Cam Bolts**.

Insert 3 **Screws** **7** through the bottom of the **Top Face Frame** and into the **Top Panel**. Tighten with a Phillips-head screwdriver.

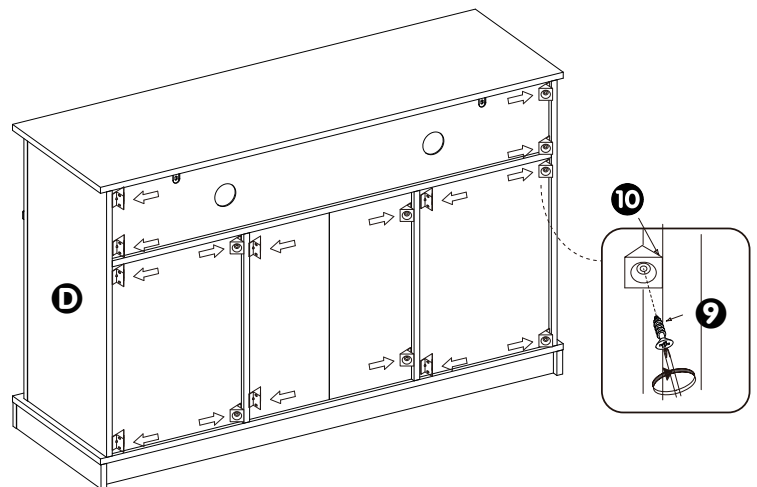
- Hardware Required:
- 2** Cam Nut x6
  - 3** Dowel x8
  - 7** Screw (4x50mm) x3



**17** Install the **Corner Brackets** **10** at each corner of the **Top/Side/Center Backers G/L/M**.

Fasten each **Corner Bracket** using a **Screw** **9**.

- Hardware Required:
- 9** Screw (3x16mm) x16
  - 10** Corner Bracket x16



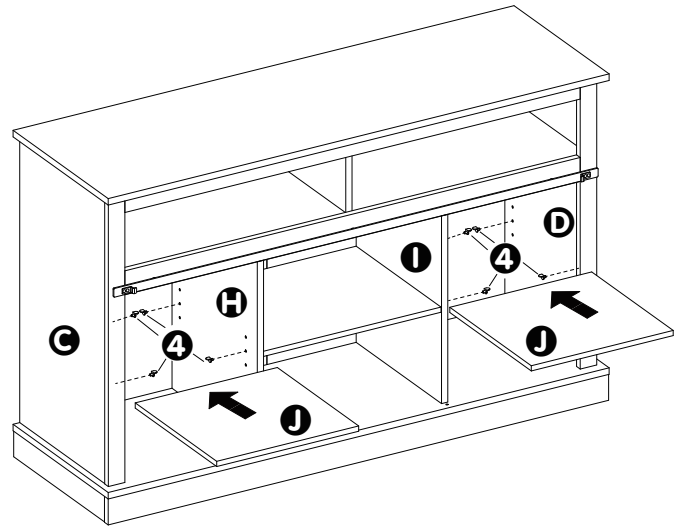
# ASSEMBLY

# BALKENE —HOME—

**18** Choose the desired installation height for each **Shelf 1**. Insert the peg of each **Shelf Bracket 4** into the appropriate holes in the interior of the left and right compartments of the unit, with the horizontal tab rotated to the top.

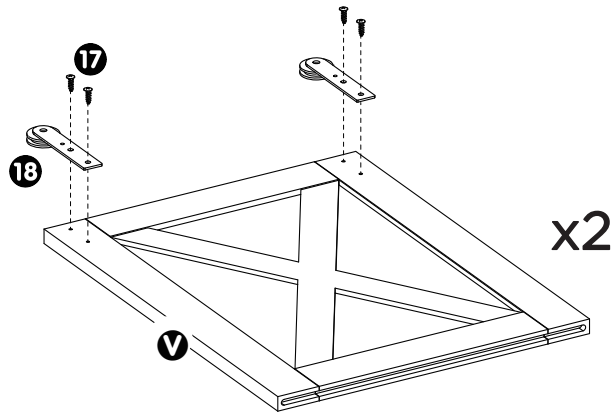
Slide the **Shelves** into place in the left and right compartments.

Hardware Required: **4** Shelf Bracket x8



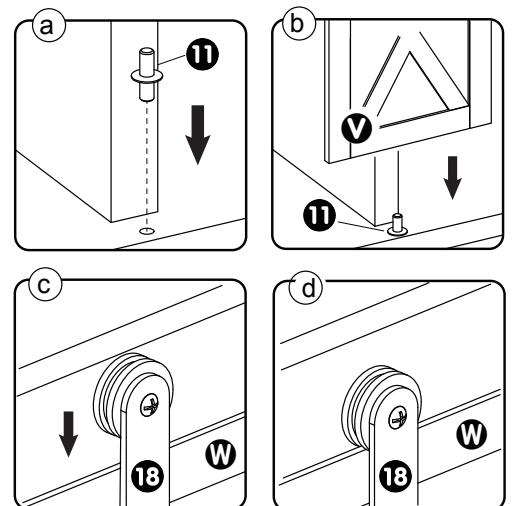
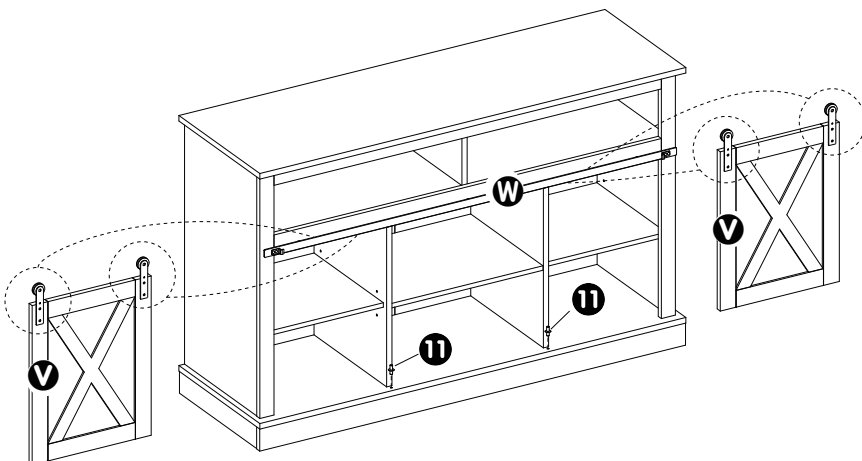
**19** Attach 2 **Hanger Rollers 18** to each **Door V** as shown using 2 **Screws 17** per Roller.

Hardware Required: **17** Screw (4x12mm) x8  
**18** Hanger Roller x4



**20** Insert a **Track Pin 11** into the holes in the **Base Panel 9** just in front of the **Left/Right Dividers H/I**. Hang the **Doors V** by resting the wheels of the **Hanger Rollers 18** on top of the **Door Rail W** and settling the track on the bottom edge of each door onto a **Track Pin**.

Hardware Required: **11** Track Pin x2



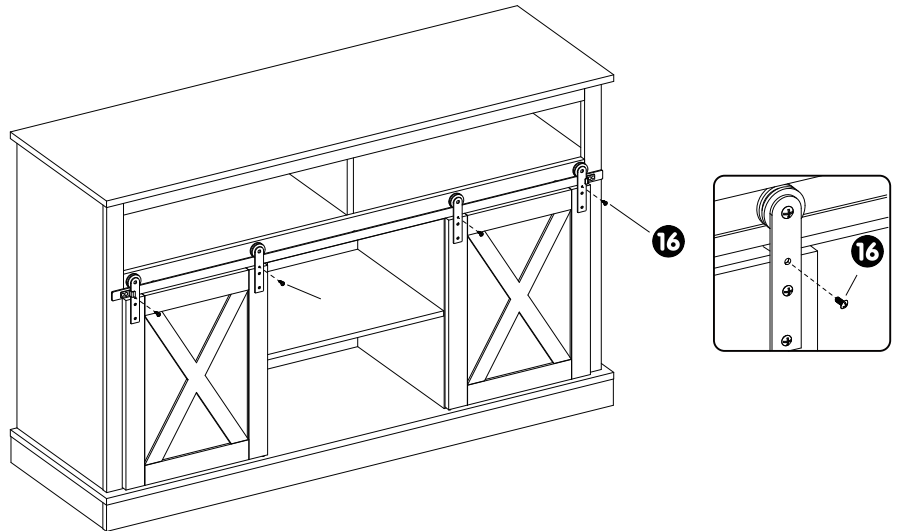
# ASSEMBLY

# BALKENE —HOME—

**21** Secure each **Hanger Roller 18** to the **Door Rail 9** using a **Screw Bolt 16** as shown.

Hardware Required:

**16** Screw Bolt (4x12mm) x4

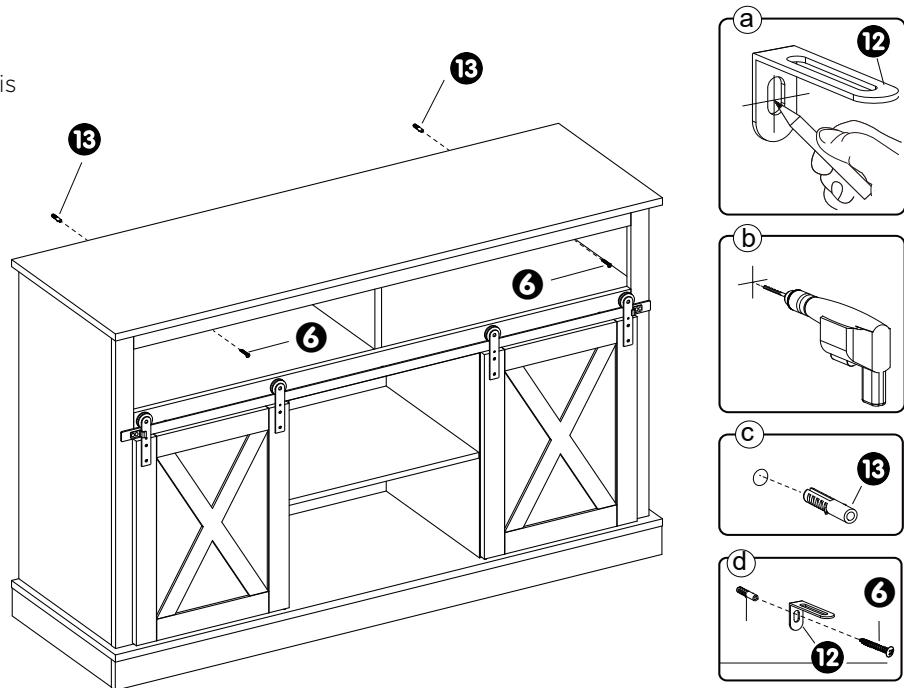


**22** Use the **Anchor Brackets 12** to anchor the unit to the wall for safety. The included hardware is appropriate for drywall installation and requires the use of a drill. If needed, consult a qualified tradesperson or online resources to safely anchor this unit.

Hardware Required:

**6** Screw (4x35mm) x2

**13** Drywall Anchor x2



Your Arcadia Media Console is ready for use!

# BALKENE —HOME—



## LIMITED WARRANTY

Customers in the Contiguous US

With proof of purchase from an authorized retailer, this product is warranted for a period of 1 year from original purchase date against defects in materials and workmanship under normal use. This warranty does NOT cover normal wear/weathering, exposure to water, freezing temperatures, oils, fluids, or chemicals OR use in a commercial context if the unit is not designated as a commercial model. At Well Traveled Living's sole discretion, products under warranty will be repaired and/or replaced at no charge to the customer. Returns sent back to Well Traveled Living must be sent via prepaid freight in the original retail packaging.

For warranty service, contact Balkene Home/Well Traveled Living at the address, phone numbers or website and email listed in this owner's manual. Be sure to have your sales receipt, date of purchase and catalogue/model numbers available when calling. All warranty service will be coordinated by Well Traveled Living's Amelia Island, Florida service center. This warranty is extended only to the original owner. Proof of purchase will be required before warranty service is rendered. The sales receipt is the only valid proof of purchase. This warranty only covers failures due to defects in materials or workmanship which occur during normal use. Failures and/or damage which result from accident, negligence, misuse, abuse, neglect, mishandling, alteration or modification, failure to maintain, improper assembly or maintenance, service by unauthorized agency or use of unauthorized components or damage that is attributable to acts of God are NOT covered.

This limited warranty gives you specific legal rights and you may also have other rights which vary from jurisdiction to jurisdiction. The provisions of the United Nations Convention on Contracts for the Sales of Goods shall not apply to this limited warranty or the sale of products covered by this limited warranty.

- THERE ARE NO EXPRESS WARRANTIES EXCEPT AS LISTED.
- PURCHASER ASSUMES ALL RISKS IN THE ASSEMBLY AND OPERATION OF THIS UNIT.
- FAILURE TO FOLLOW WARNINGS AND OPERATIONAL INSTRUCTIONS CONTAINED IN THIS MANUAL CAN RESULT IN SEVERE PROPERTY DAMAGE AND/OR PERSONAL INJURY.
- IN NO EVENT WILL WELL TRAVELED LIVING, OR ITS DIRECTORS, OFFICERS OR AGENTS BE LIABLE TO THE PURCHASER OR ANY THIRD PARTY, WHETHER IN CONTRACT, IN TORT, OR ON ANY OTHER BASIS, FOR ANY INDIRECT, SPECIAL, PUNITIVE, EXEMPLARY, CONSEQUENTIAL, OR INCIDENTAL LOSS, COST, OR DAMAGE ARISING OUT OF OR IN CONNECTION WITH THE SALE, MAINTENANCE, USE, OR INABILITY TO USE THE PRODUCT, EVEN IF WELL TRAVELED LIVING OR ITS DIRECTORS, OFFICERS OR AGENTS HAVE BEEN ADVISED OF THE POSSIBILITY OF SUCH LOSSES, COSTS OR DAMAGES, OR IF SUCH LOSSES, COSTS, OR DAMAGES ARE FORESEEABLE. IN NO EVENT WILL WELL TRAVELED LIVING, OR ITS OFFICERS, DIRECTORS, OR AGENTS BE LIABLE FOR ANY DIRECT LOSSES, COSTS OR DAMAGES THAT EXCEED THE PURCHASE PRICE OF THE PRODUCT.
- SOME JURISDICTIONS DO NOT ALLOW THE EXCLUSION OR LIMITATION OF INCIDENTAL OR CONSEQUENTIAL DAMAGES, SO THE ABOVE LIMITATION OR EXCLUSION MAY NOT APPLY TO THE PURCHASER.

## EXTEND YOUR WARRANTY

When you purchase a Fire Sense or Balkene Home product from any authorized retailer, you'll have peace of mind in knowing that it comes with a one-year warranty. Extend your warranty for *an additional year* when you review your item at [balkenehome.com](http://balkenehome.com) within 365 days of purchase.



### Important Notice

Do NOT return to place of purchase—for customer service and warranty issues:

Call toll-free  
Email  
Live chat

**(866) 985-7877**  
**[cservice@welltraveled.net](mailto:cservice@welltraveled.net)**  
**[balkenehome.com](http://balkenehome.com)**

9 am – 9 pm, EST

9 am – 6 pm, EST, Mon – Fri

Distributed by:

Well Traveled Living  
716 S 8th Street, Amelia Island, FL 32034  
[balkenehome.com](http://balkenehome.com)  
[cservice@welltraveled.net](mailto:cservice@welltraveled.net)  
(866) 985-7877