

Slant Vent Series Range Hoods JQG7502/JQG7502.G Spec Sheet

FOTILE
A BREATH OF FRESH ENGINEERING®

FOTILE JQG7502 and JQG7502.G 30" Slant Vent Range Hoods are powerful and sleek looking. With versatile mounting options whether under cabinet or wall mount, these powerful certified Range Hoods offer superior smoke, grease, and odor extraction due to their unique design, close proximity to the cooktop, and a 90 degree angle Capture Shield. Best of all, these powerful range hoods not only offer excellent venting performance, they are exceptionally quiet so you can have a casual conversation as you are preparing a meal. Available in Onyx Black Tempered Glass or Grey Tempered Glass.



JQG7502



JQG7502.G



Key Features



90° Open Capture Shield to Prevent Smoke From Spreading



Slant Vent Design Ensures Close Proximity to Cooking Surface and Smoke



Dual AC Centrifugal Motors for Exhaustive and Strong Ventilation



98% Odor Reduction Rate &
95% Grease Separation Rate

Secondary Features

- Extra Wide Smoke Inlet
Covers 6 ft² of Cooking Area (5-6 Burners)
- Push Button Control
Intuitive and Easy Operation
- Powerful LED Light
Lights Up Your Cooktop
- Large Oil Collection Cup
Detachable and Easy to Clean

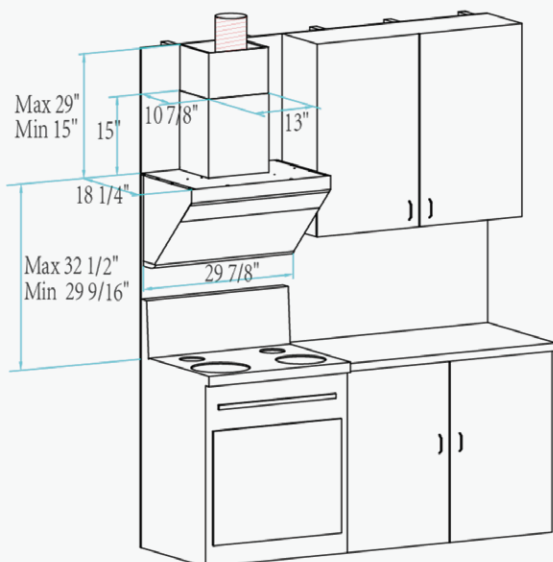
Slant Vent Series Range Hoods JQG7502/JQG7502.G Spec Sheet

FOTILE
A BREATH OF FRESH ENGINEERING®

Specifications Table

Model	JQG7502 / JQG7502.G
Certification	ETL, HVI
Width(inch)	29 7/8
Installation	Under Cabinet/Wall Mount(Optional Decorative Cover Required)
Max. EQUIV.CFM	850
Max Static Pressure(Pa)	400
Power Supply(V/Hz)	120/60
Speed Setting	3
Min. Noise Level(dB)	39
Illumination(W)	3W × 2 (LED)
Motor	Dual AC Motors
Operation Type	Push Button
Delay Shutoff	N
Screen Lock	N
Grease Filtration Rate	95%
Odor Reduction Rate	98%
Warranty	Labor: 2 Years Parts: 5 Years(Limited) Motors: Lifetime Limited Warranty

Installation Dimensions



Installation Examples

