
 TABLE OF CONTENTS

Product Information

General Information.....	2
Lite Cut Information.....	3
Operation & Sash Tilting	4
Clear Opening Layout	5
Unit Sizing & Masonry Openings.....	6

Options

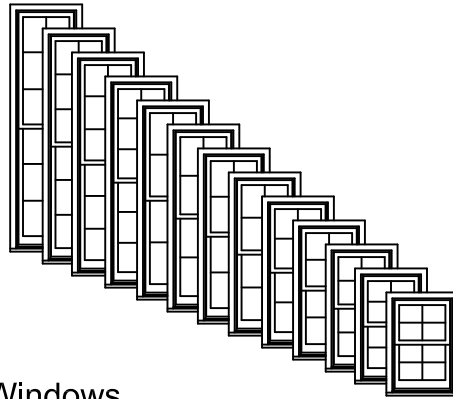
SDL & GBG	7
Trim	8
Jamb Extender & Prep for Stool.....	9
Mullion.....	10

Section Details

Standard Sections:	
Operator - Vertical	12
Operator - Horizontal	13
Picture - Vertical	14
Picture - Horizontal	15
Pocket Sections:	
Operator - Vertical	16
Operator - Horizontal	17
Picture - Vertical	18
Picture - Horizontal	19



GENERAL INFORMATION



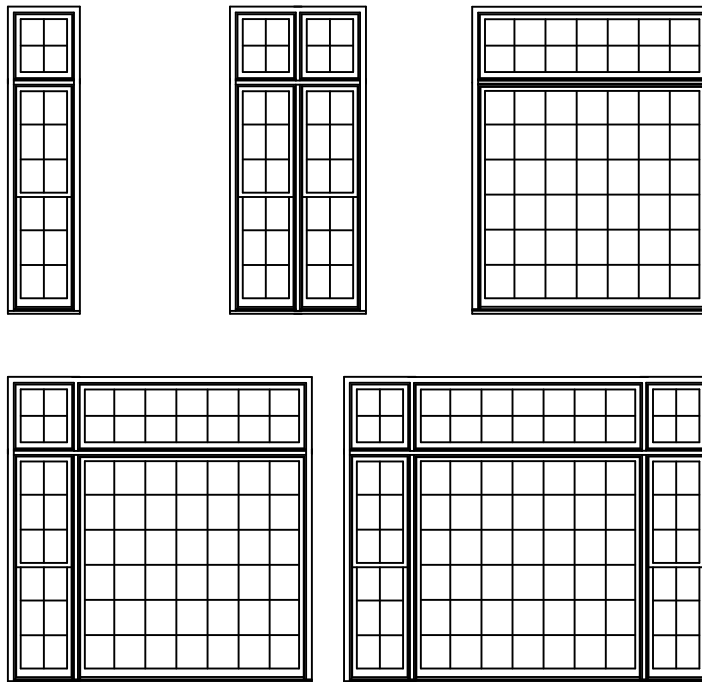
Dimensional Windows

W-2500 Wood Double-Hung windows may be specified as "dimensional", by adjusting the desired rough opening width or height in 1/8" increments from standard.

W-2500 Wood Double-Hung windows feature fully operating upper and lower sash. Counterbalancing is achieved with compression spring extension systems hidden in weatherable PVC jamb liners. Operating units are supplied with cam-type sash locks installed. There are several hardware finish options. Refer to the Specifications for available finish options.

Multiple Assemblies

W-2500 Wood Double-Hung windows may be mullied beside other wood double-hungs or wood picture windows, or below wood transom windows, to fulfill a wide variety of needs. Factory assembled mulls are limited in height (100"), width (114"), and a total area (75 square feet).

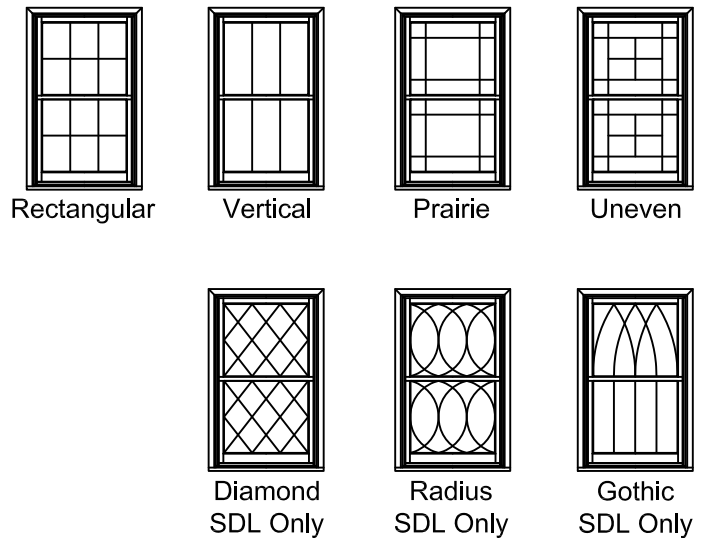


LITE CUT INFORMATION

W-2500 Wood Double-Hung windows are available with removable grilles in 7/8", 1-1/8" and 1-3/8" widths, grilles between glass (GBG), and Simulated Divided Lites. Standard lite cuts are rectangular, and conform to the layouts noted in the charts on the next page. To use the chart, refer to the appropriate table by the type of window and type of bars or grilles the section drawings illustrate. Then simply cross reference the frame Height and Width to determine the standard lite cut.

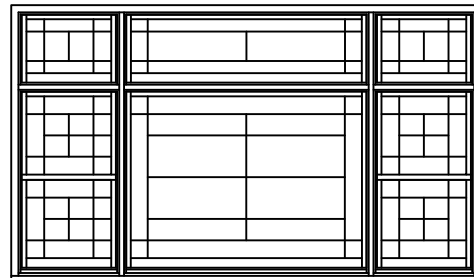
Lite Cut Options

Special lite cut patterns can include a wide variety of straight line and radius patterns. The illustrations shown here represent just a few of the possibilities. Rectangular, horizontal, vertical and Prairie lite patterns are available in all standard size Wood Double-Hung windows. Uneven, diamond, radius and Gothic lite cuts are available, subject to approval. Approvals are based on the ability to fulfill the design requirement while maintaining the construction integrity of the finished product.

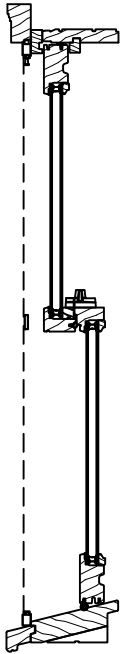


Bar Alignment

Alignment of divided lite muntin bars from one window to the next is often required by fine architectural design. Wood grilles, GBG's, and Simulated Divided Lites may be specified with muntin bars aligned.

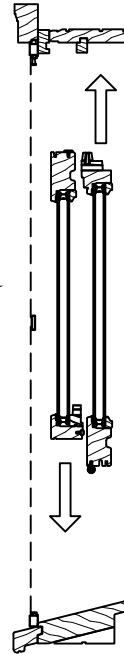


OPERATION & SASH TILTING



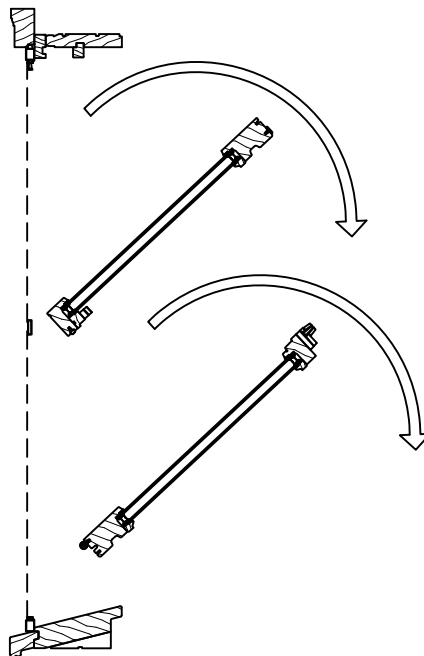
Double-Hung Operation:
When the sash are locked at the check rails the sash are closed and sealed in the sash opening of the frame.

When the sash are unlocked the lower sash travels vertically to any position desired. The upper sash can also be positioned as desired.

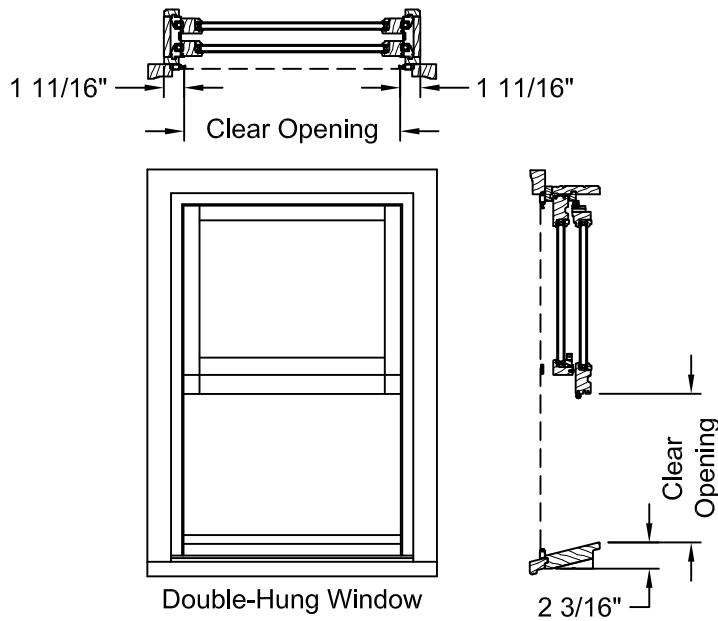


Sash Tilting for Washing

The Tradition Plus Double-Hung window will allow the sash to be tilted or removed for easy cleaning.



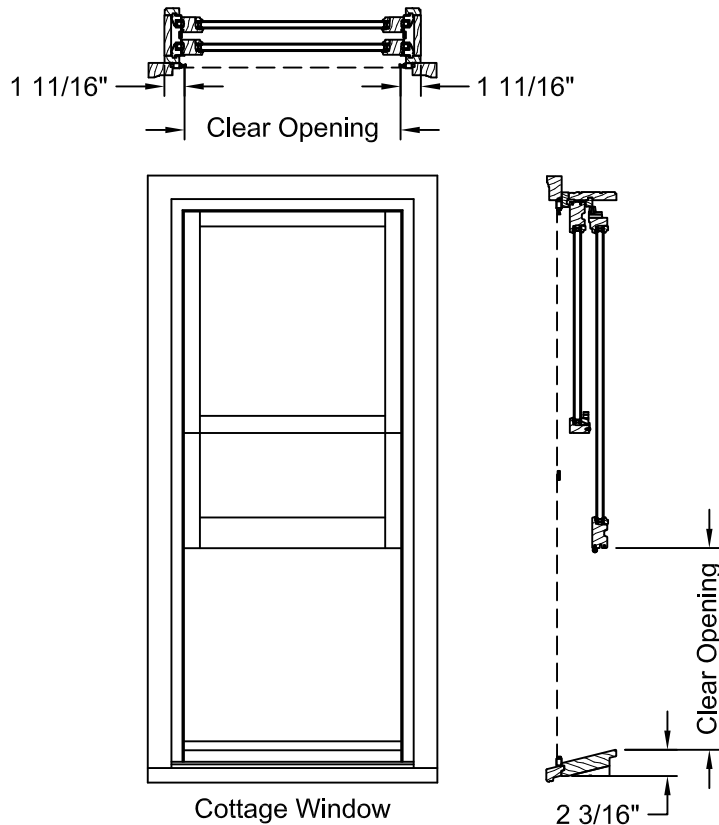
CLEAR OPENING LAYOUT



Double-Hung
Clear Opening Formula

Interior Glazed Sash
Vertical
(Frame Height / 2) - 4 13/16" = Clear Opening

Horizontal
Frame - 3 9/32" = Clear Opening



Cottage & Reverse Cottage

Consult the Design Data Tables for clear opening information. For dimensional units, contact Jeld-Wen - Bend Window Division Technical Services Department for Clear Opening information.

UNIT SIZING & MASONRY OPENINGS

General Notes:

Unit size is always the maximum size of the window with or without trim.

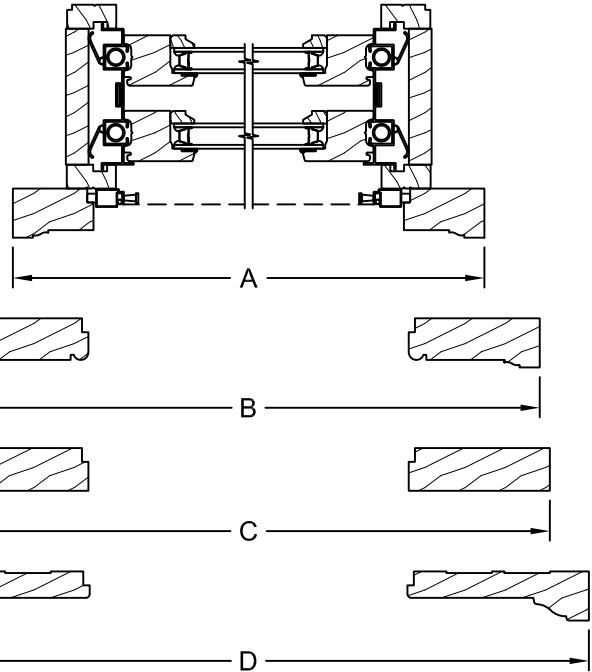
Masonry Opening:

Masonry opening is 1/2" over (height and width) the unit size or the outside of the trim of the window.

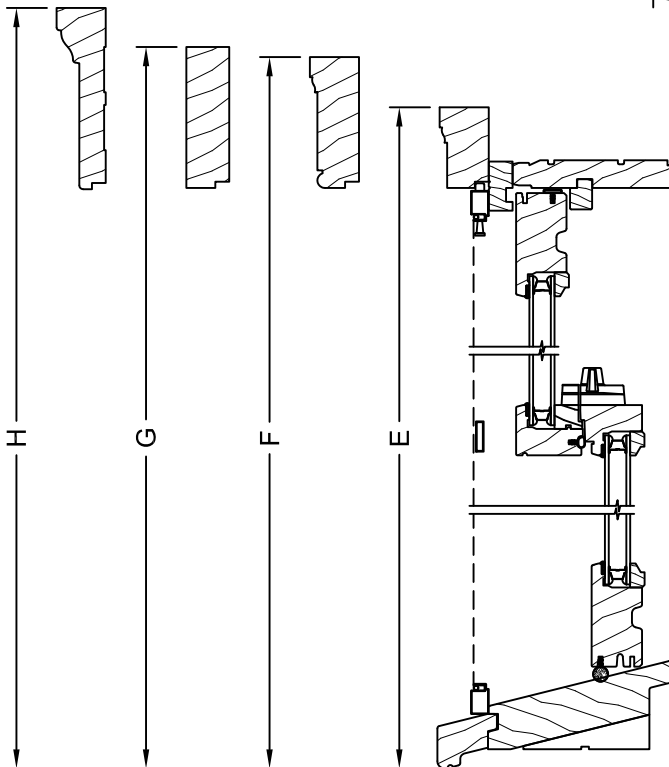
Rough Opening:

Rough opening is always 3/4" over frame size of the window.

Horizontal exterior trim offerings below are the same with or without sill nose.



Horizontal Sections		
Trim Option	Dimension	Frame +
Brickmould (BM)	A	2 5/8"
Williamsburg (W)	B	5 1/8"
3 1/2" Flat Casing (FC)	C	5 5/8"
1 X 4 Backband (BB)	D	7 5/8"



Vertical exterior trim offerings with standard sill nosing. Trim on 3 sides.

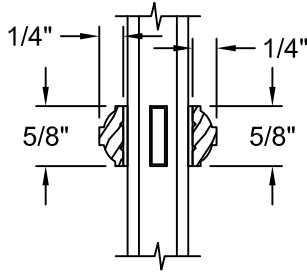
Vertical Sections (w/ Sill Nose)		
Trim Option	Dimension	Frame +
Brickmould (BM)	E	1 25/32"
Williamsburg (W)	F	3 1/32"
3 1/2" Flat Casing (FC)	G	3 9/32"
1 X 4 Backband (BB)	H	4 9/32"



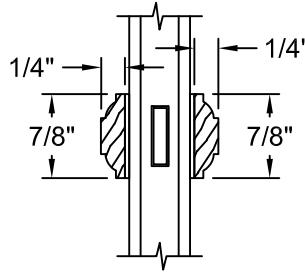
SDL & GBG OPTIONS

Exterior ← → Interior

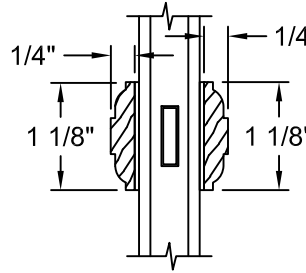
SDL Options



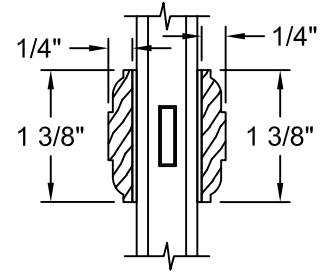
5/8" Bead SDL



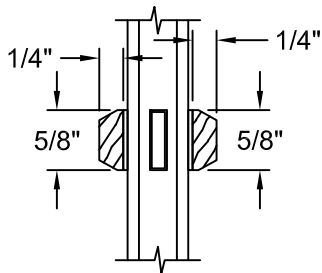
7/8" Bead SDL



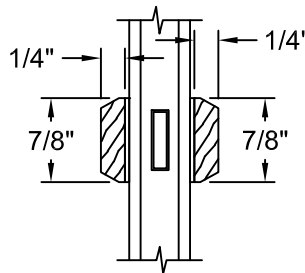
1 1/8" Bead SDL



1 3/8" Bead SDL

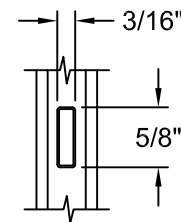


5/8" Putty SDL

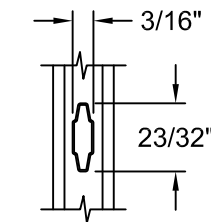


7/8" Putty SDL

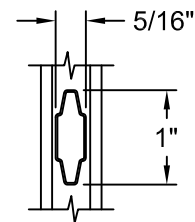
GBG Options



5/8" Grille



23/32" Grille



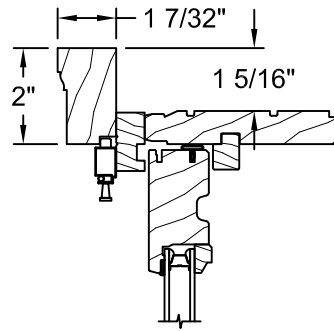
1" Grille

Note: Various Combinations of the SDL Bars Shown are Available

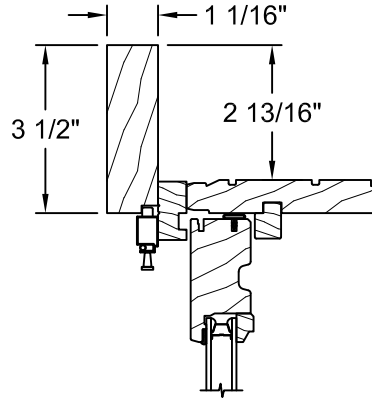


TRIM OPTIONS

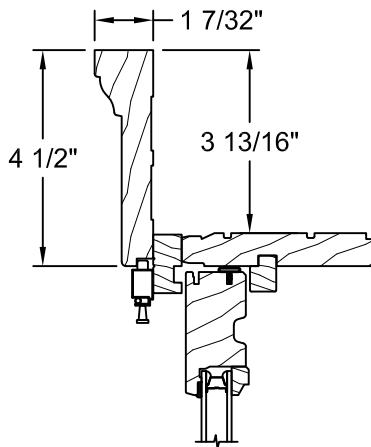
Exterior Trim



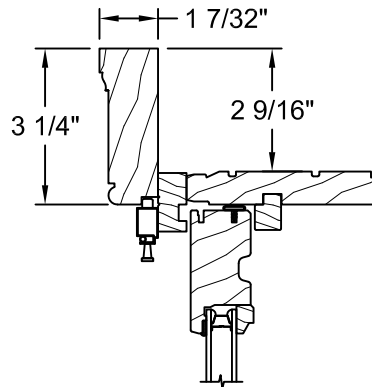
Brickmould



3 1/2" Flat Casing

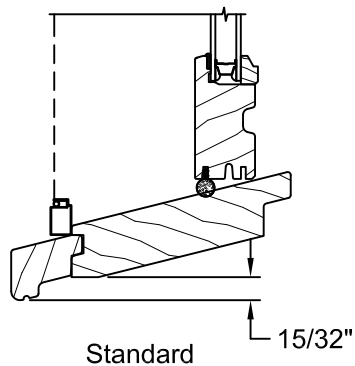


1 X 4 Backband

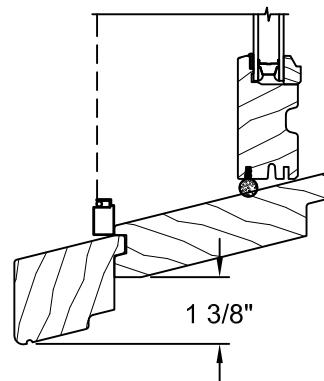


Williamsburg

Sill Options

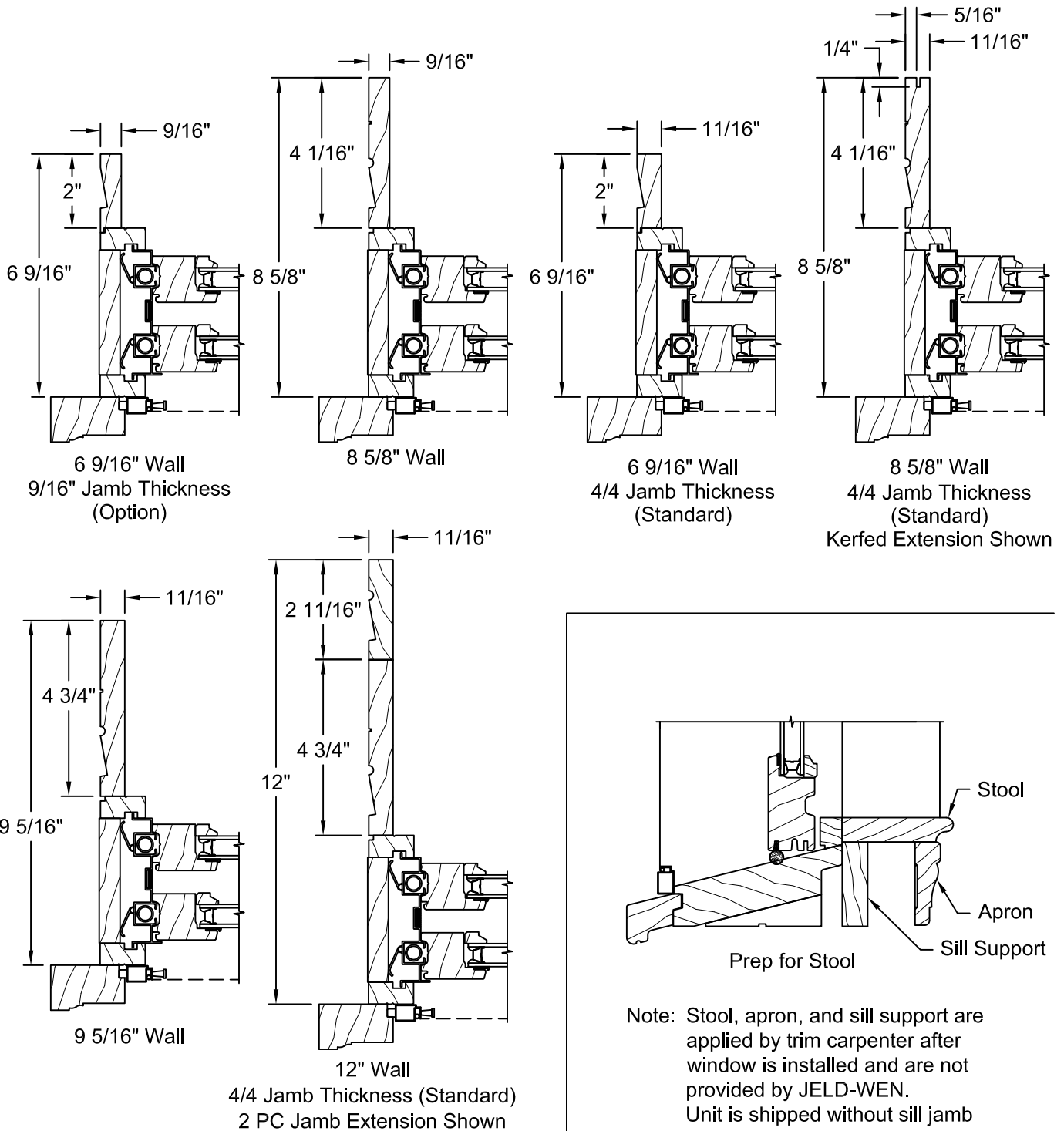


Standard



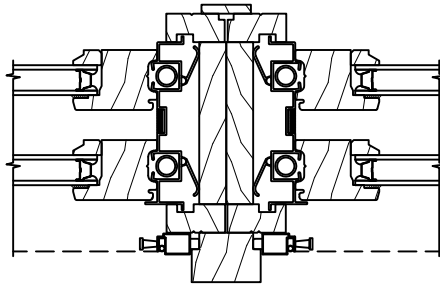
2" Nosing

JAMB EXTENDER & PREP FOR STOOL OPTIONS

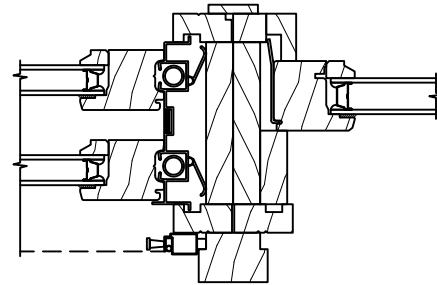




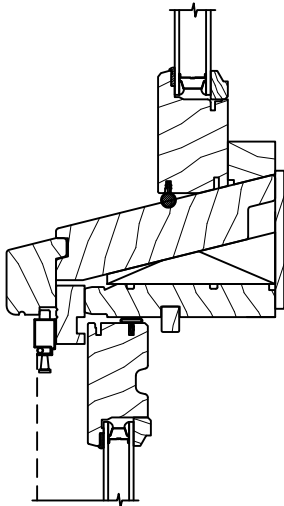
MULLION OPTIONS



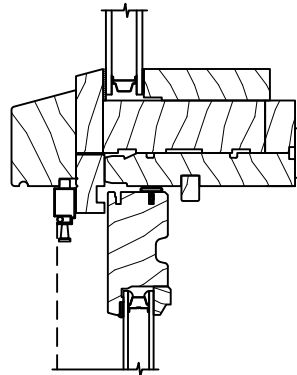
Twin Operating Double-Hung



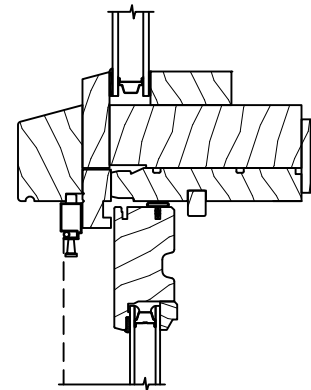
Double-Hung with
Double-Hung Picture



Double-Hung Transom
Over Double-Hung



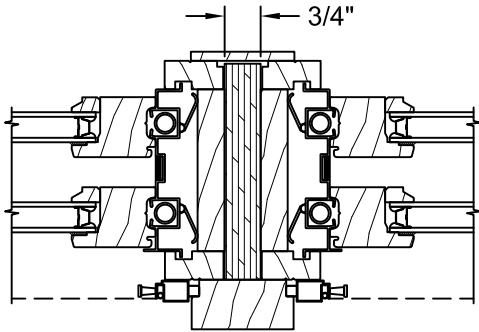
Direct Set Geometric
Over Double-Hung



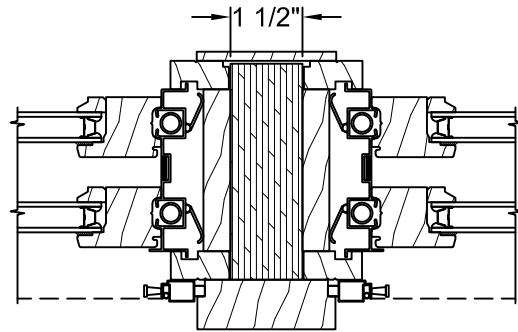
Direct Set Radius
Over Double-Hung



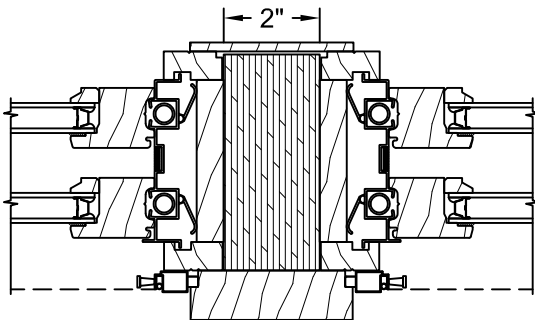
MULLION OPTIONS



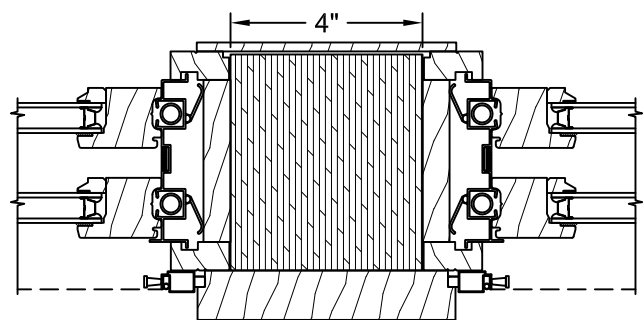
3/4" Wood Spread Mull



1 1/2" Wood Spread Mull



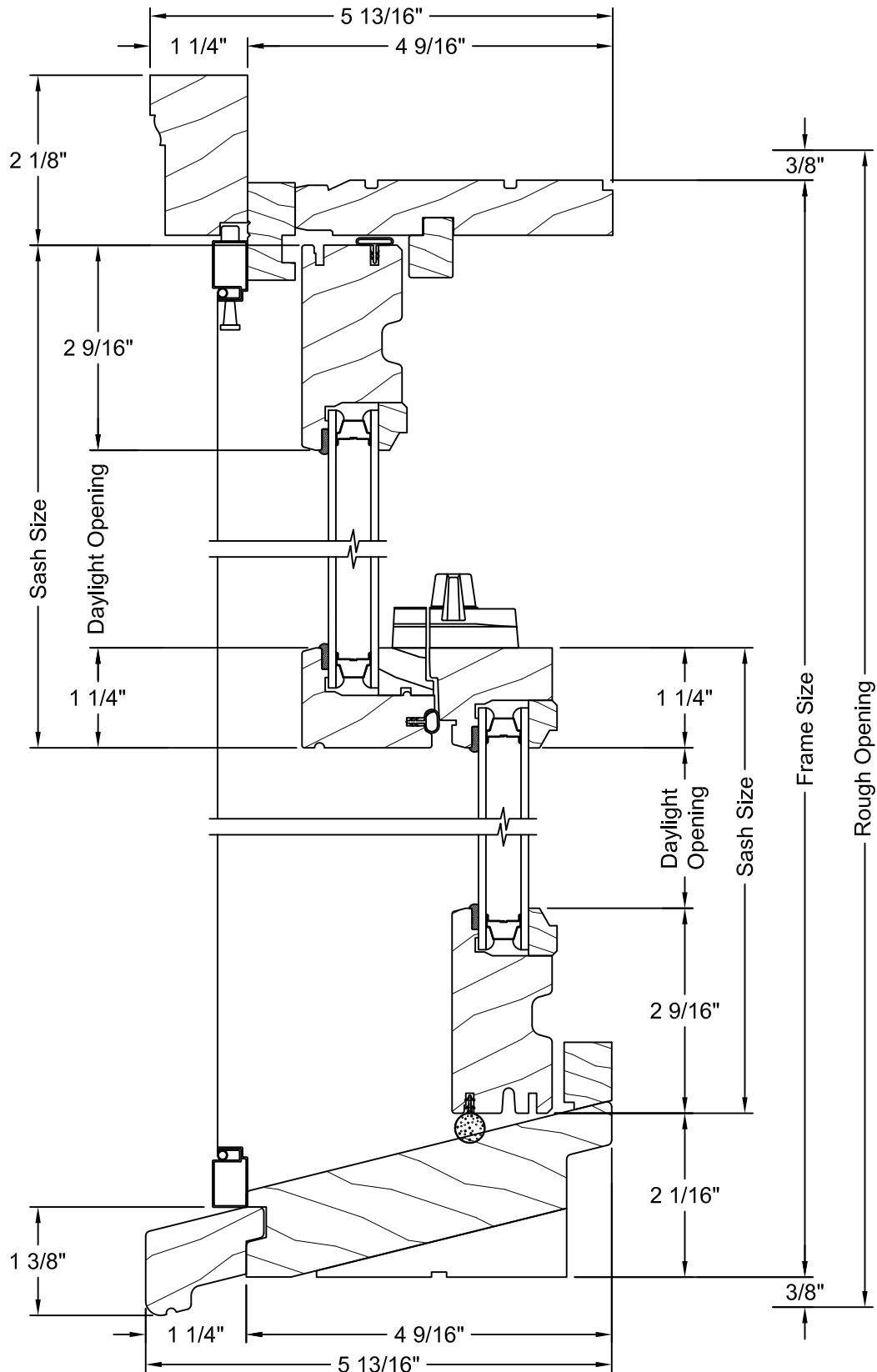
2" Wood Spread Mull



4" Wood Spread Mull

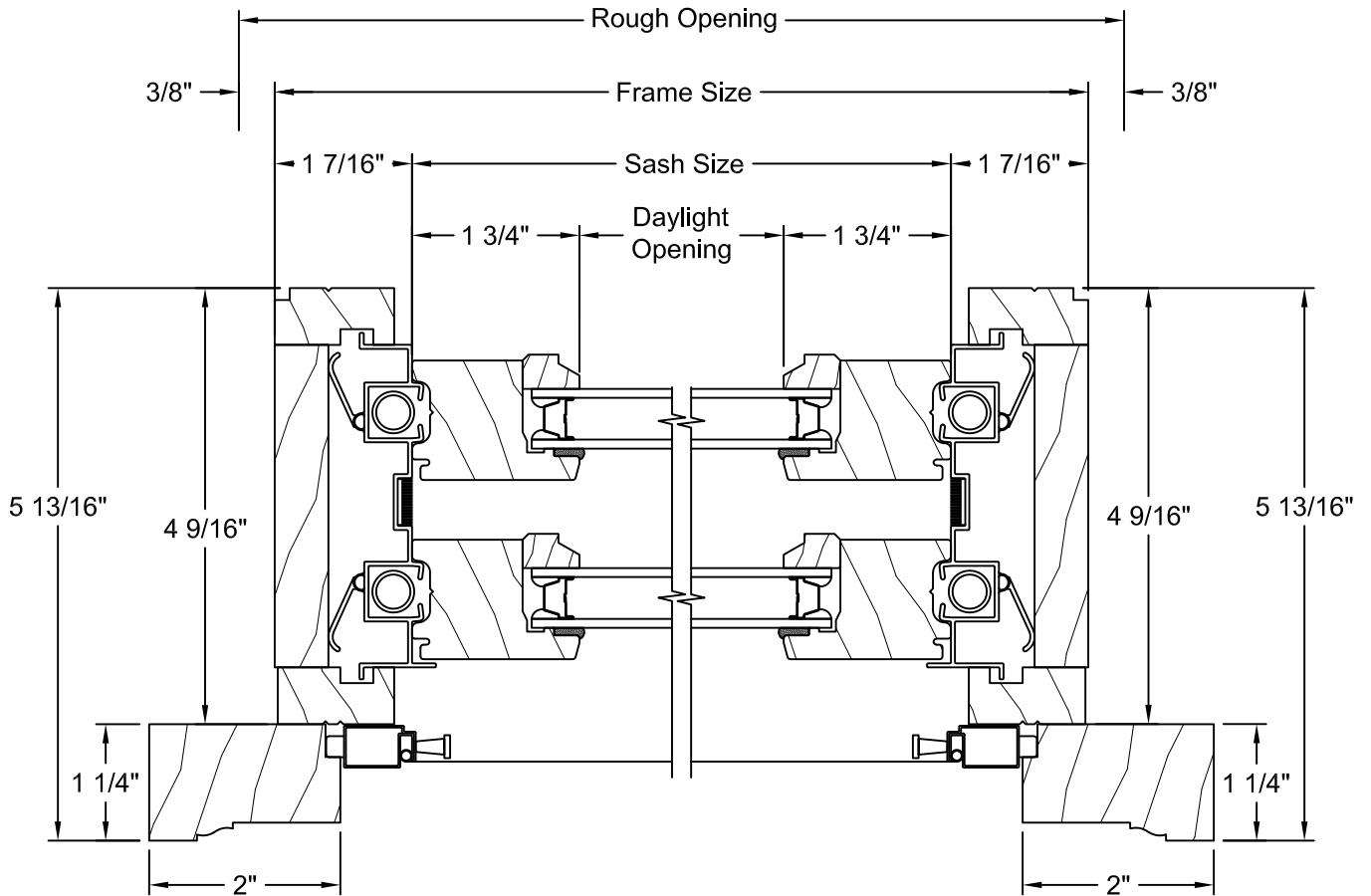


OPERATOR - VERTICAL SECTION



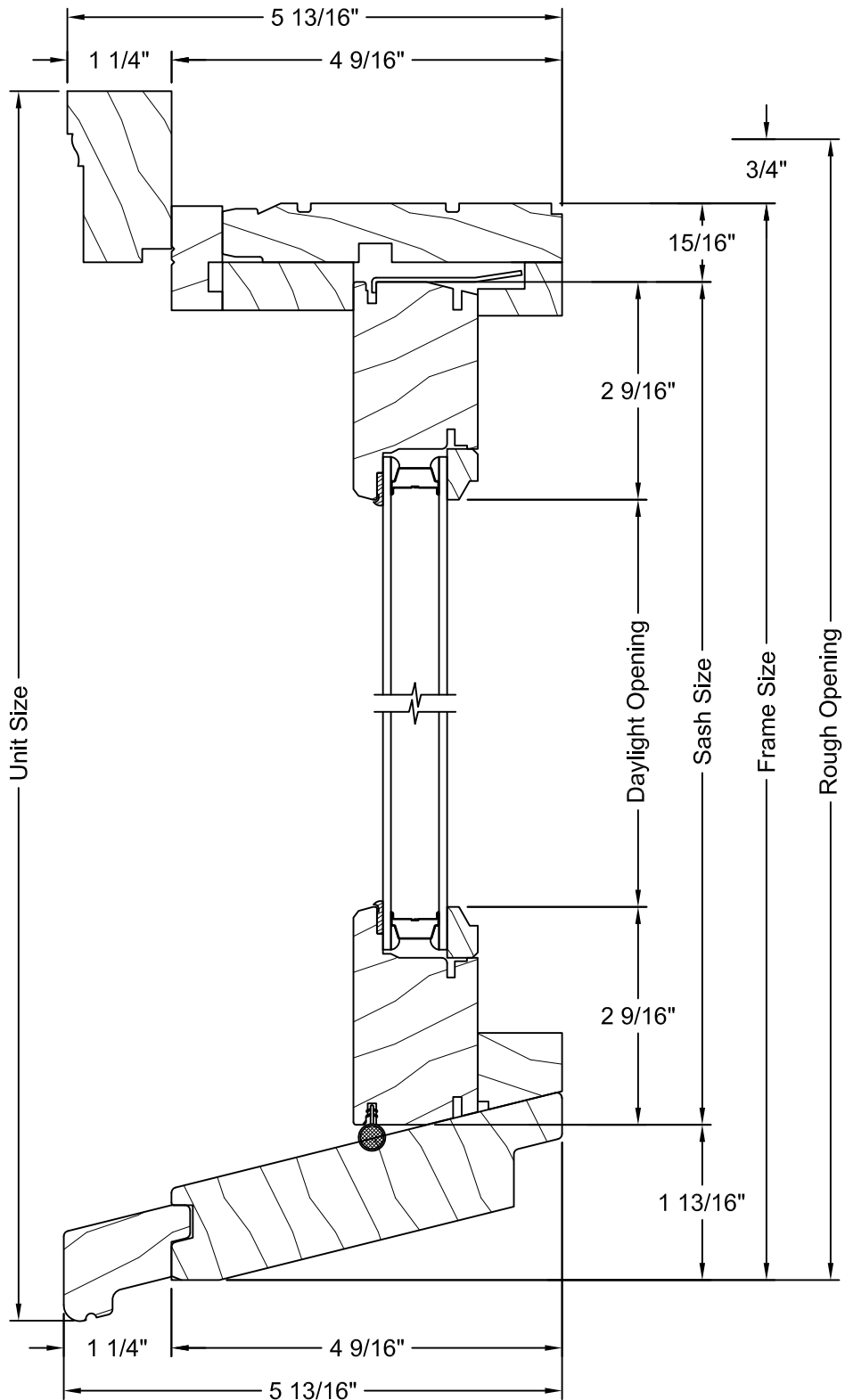


OPERATOR - HORIZONTAL SECTION



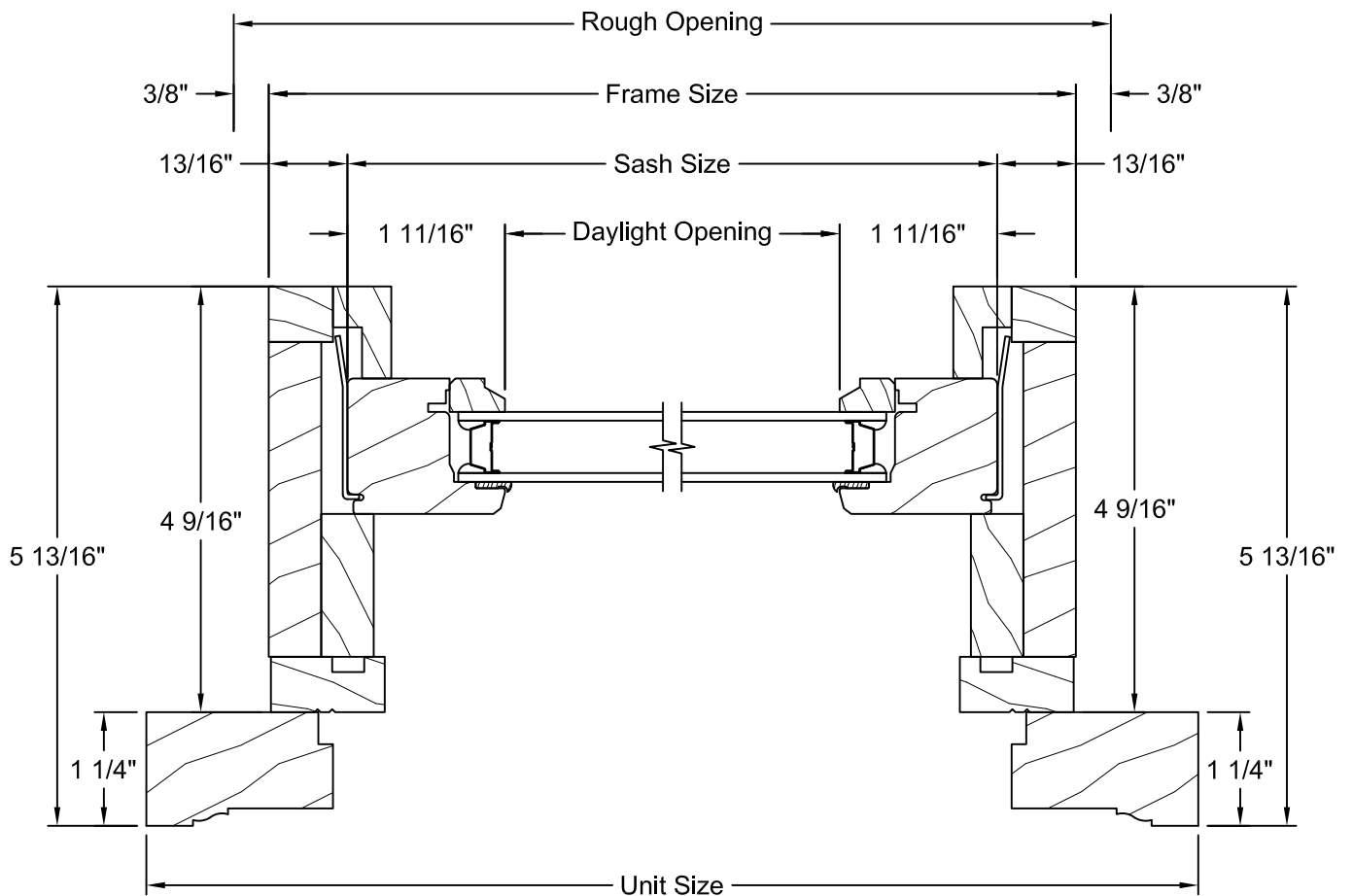


PICTURE - VERTICAL SECTION



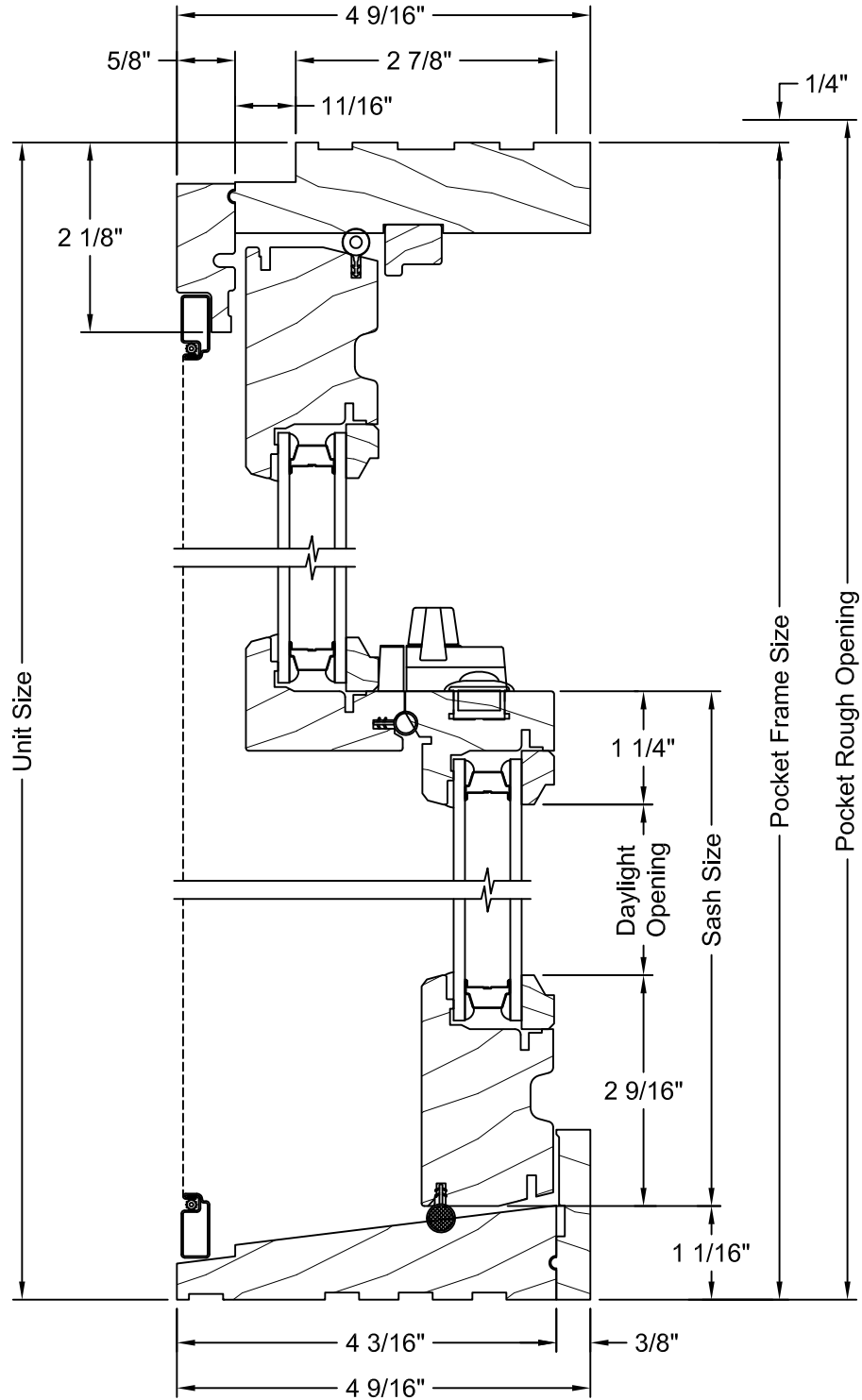


PICTURE - HORIZONTAL SECTION



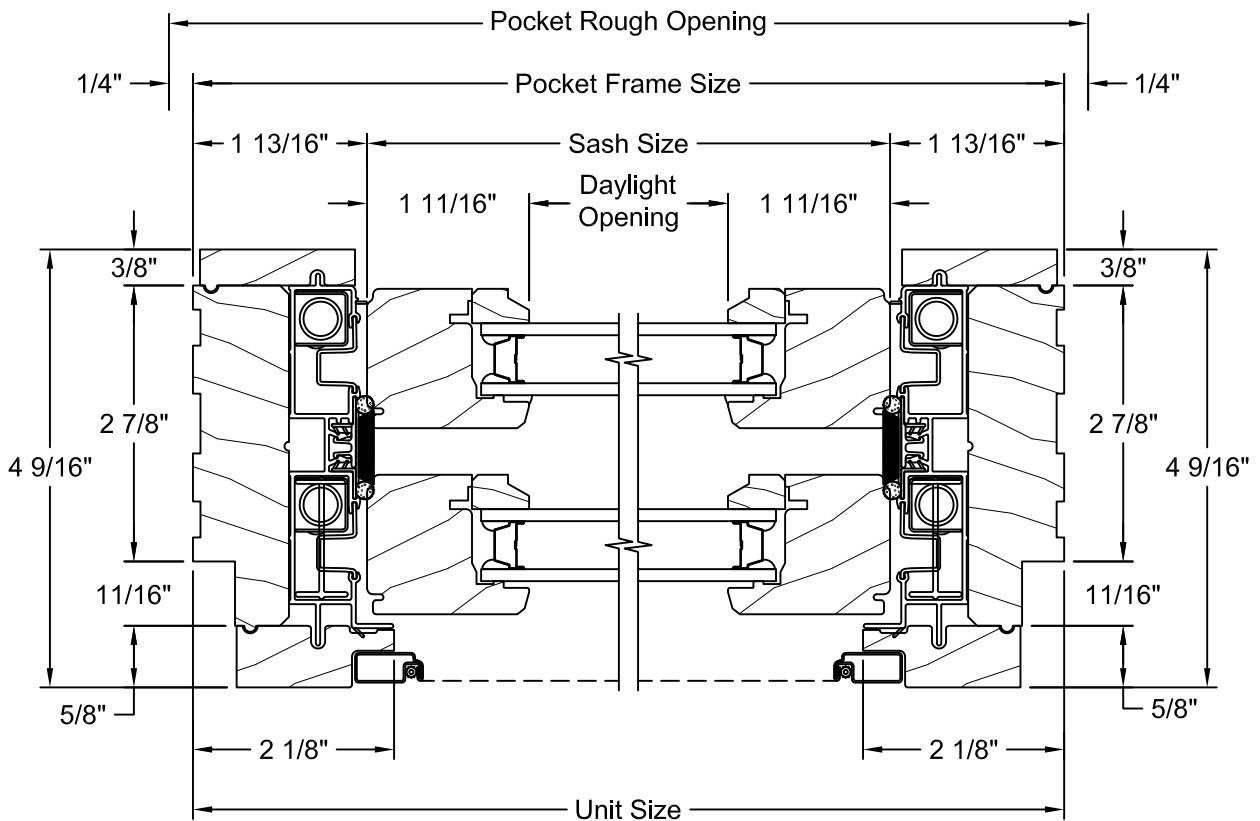


POCKET OPERATOR - VERTICAL SECTION



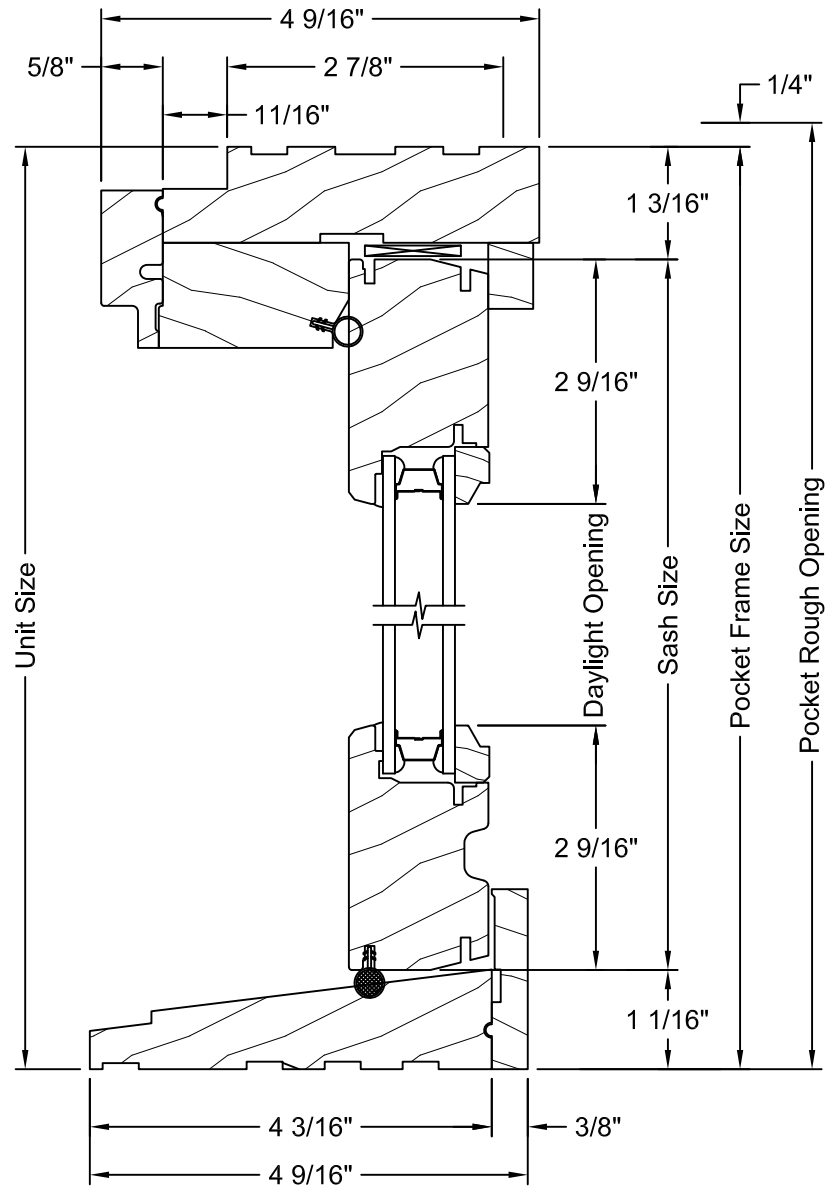


POCKET OPERATOR - HORIZONTAL SECTION





POCKET PICTURE - VERTICAL SECTION





POCKET PICTURE - HORIZONTAL SECTION

