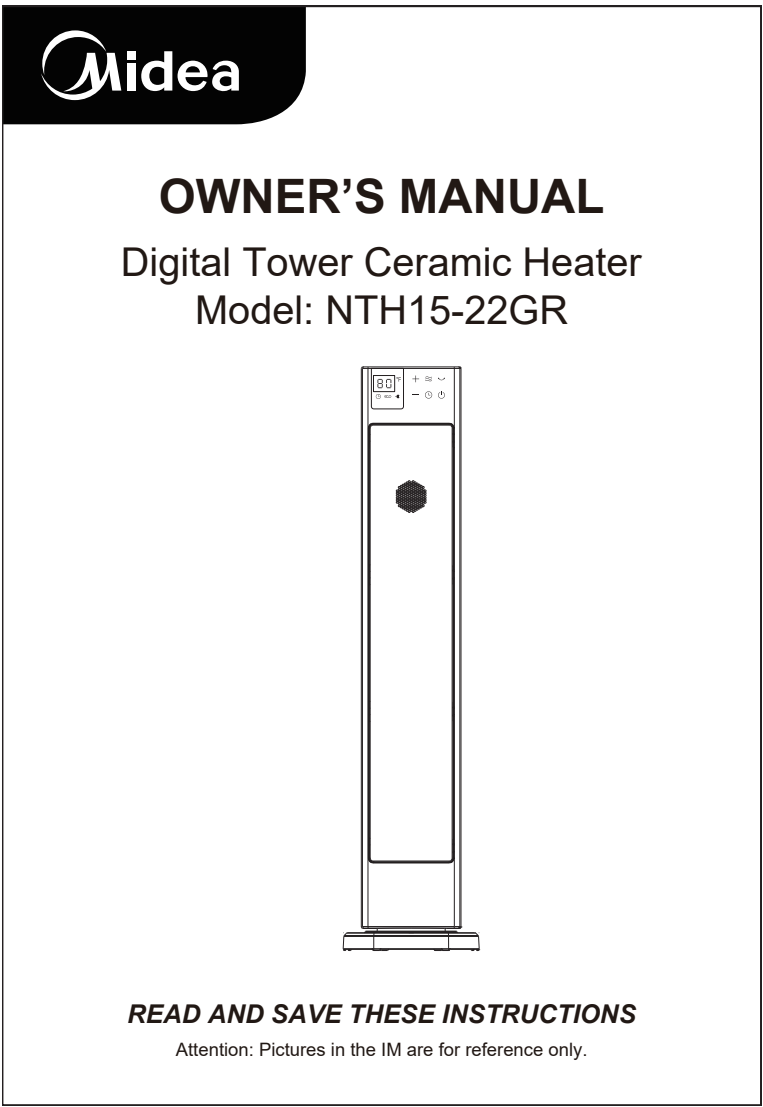


# 重点校对项

- 1. 结构尺寸
- 2. 材质标注
- 3. 物料编码
- 4. 颜色标注
- 5. 客户型号
- 6. 电压功率
- 7. 变量规则
- 8. 条码内容码制
- 9. 产品名称
- 10. 认证标志、警语字体

项目	
库	
文件名	



技术要求(版本号:B, 2020-01)

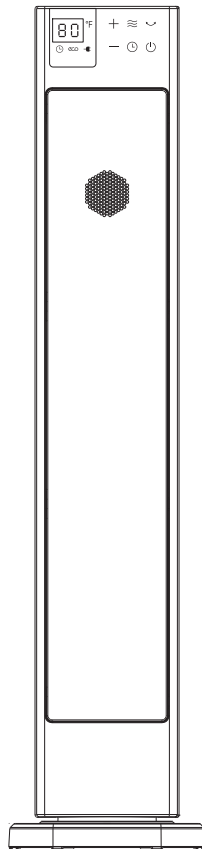
1. 未注直线尺寸公差应符合GB/T1804-v; [一般70P以下为钉装, 70P以上为胶装(特殊要求除外)]
2. 说明书警语及认证标志应满足CE/UL标准, CE: 警语部分大写字母高度不低于3mm, CE标志不低于5mm, WEEE标志不低于7mm; UL: 大写字母字高不小于1/12”(2.11mm), 小写字母字高不小于1/16”(1.6mm), “IMPORTANT SAFEGUARDS”, “SAVE THESE INSTRUCTIONS”等词, 其字高不小于3/16”(4.8mm), IMPORTANT SAFEGUARDS 必须在最前面。
3. 产品应符合QMG-J53. 021《产品说明书技术条件》的有关要求。
4. 有ROHS指令要求的物料应符合美的企业标准QML-J11. 006《产品中限制使用有害物质的技术标准》。

G	制图	颜雅丽	审核	李海棣	产品 品类	取暖器	物料 名称	说明书	
	设计	颜雅丽	标准化	古广君					
H	校对	张益	审定	古广君	技术要求参数表				
	比例	1: 1			物料编码	00000000000000 (待更新)			
	变更记录					工厂型号/客户型号	NTH15-22GR		
						客户名称	Midea		
						材质	70g双胶纸		
						颜色	单色印刷 双面印刷		
						尺寸规格(单位:mm)	145*210mm		
				环保要求	环保				
				其他要求: 1: 印刷字体需清晰可见, 文字不能粘到一起	广东美的生活电器制造有限公司				



# OWNER'S MANUAL

Digital Tower Ceramic Heater  
Model: NTH15-22GR



**READ AND SAVE THESE INSTRUCTIONS**

Attention: Pictures in the IM are for reference only.

# IMPORTANT INSTRUCTIONS

## PLEASE READ AND SAVE THESE IMPORTANT SAFETY INSTRUCTIONS

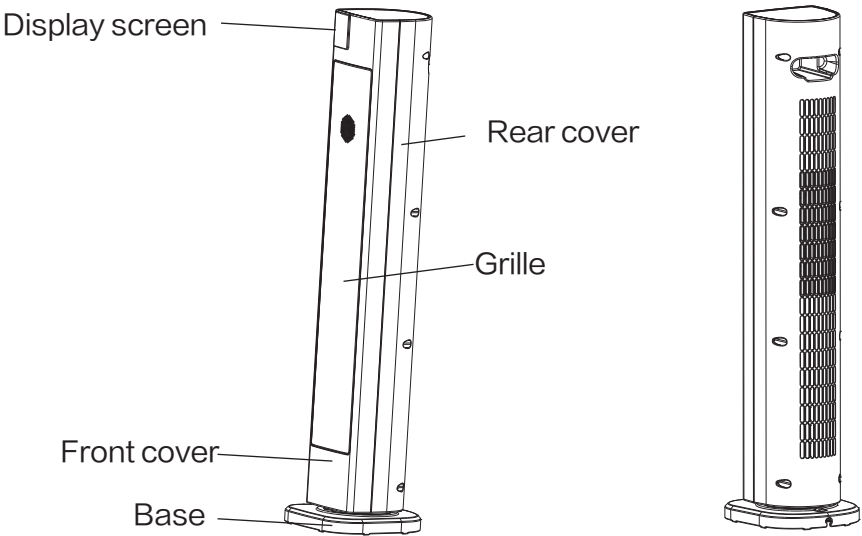
When using electrical appliances, basic precautions should always be followed to reduce the risk of fire, electric shock, and injury to persons, including the following:

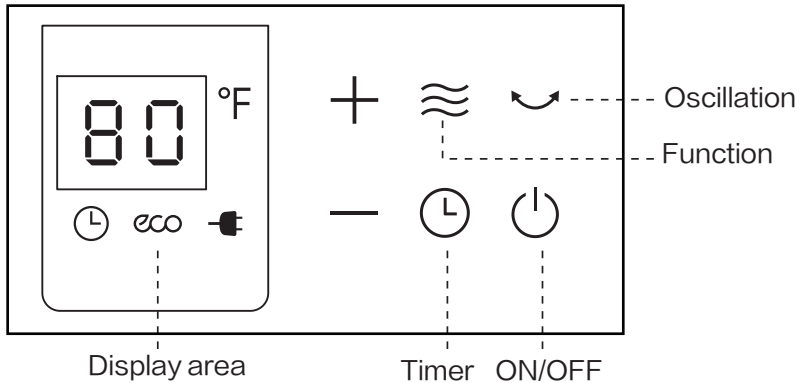
1. Read all instructions before using heater.
2. This heater is hot when in use. To avoid burns, do not let bare skin touch hot surface. If provided, always use handles when moving this heater. Keep combustible materials such as furniture, pillows, bedding, papers, clothes and curtains at least 3 feet (0.9m) from the front of the heater and keep them away from the sides and rear.
3. Extreme caution is necessary when any heater is used by or near children or invalids and whenever the heater is left operating and unattended.
4. Always unplug the heater when not in use.
5. Do not operate any heater with a damaged cord or plug or after the heater malfunctions, has been dropped or damaged in any manner. Discard heater or return heater to authorized service facility for examination, electrical or mechanical adjustment, or repair.
6. Do not use the heater outdoors.
7. This heater is not intended for use in bathroom, laundry areas and similar moist indoor locations. Never locate heater where it may fall into a bathtub or other water container.
8. Do not run cord under carpeting. Do not cover cord with throw rugs, runners, or similar coverings. Do not route cord under furniture or appliances. Arrange cord away from traffic area and where it will not be tripped over.
9. CAUTION: This appliance has a polarized plug (one blade is wider than the other). To reduce the risk of shock, this plug is intended to fit only one way in a polarized outlet. If the plug does not fit fully in the outlet, reverse the plug. If it still does not fit, contact a qualified electrician. DO NOT attempt to defeat this safety feature. To do so could result in an electric shock hazard.
10. This heater draws 12.5 amps during operation. To prevent overloading a circuit, do not plug the heater into a circuit that already has other appliances working.
11. CAUTION: It is normal for the plug to feel warm to the touch; however, a loose fit between the AC outlet (receptacle) and plug may cause overheating and distortion of the plug. Contact a qualified electrician to replace loose or worn outlet.

- 12. To disconnect the heater, first turn controls to off, then remove plug from outlet. Never pull by the cord.
- 13. Do not insert or allow foreign objects to enter any ventilation or exhaust opening as this may cause an electric shock or fire, or damage the heater.
- 14. To prevent a possible fire, do not block air intakes or exhaust in any manner. Do not use on soft surface, like a bed, where openings may become blocked.
- 15. A heater has hot and arcing or sparking parts inside. Do not use it in the areas where gasoline, paint, or flammable liquids are used or stored.
- 16. Use this heater only as described in this manual. Any other use not recommended by the manufacturer may cause fire, electric shock, or injury to persons.
- 17. CAUTION: Always plug heaters directly into a wall outlet/receptacle. Never use with an extension cord or reloadable power tap (outlet/power strip).
- 18. The output of this heater may vary and its temperature may become intense enough to burn exposed skin. Use of this heater is not recommended for persons with reduced sensitivity to heat or an inability to react to avoid burns.
- 19. CAUTION: TO PREVENT ELECTRIC SHOCK, MATCH WIDE BLADE OF PLUG TO WIDE SLOT AND FULLY INSERT

20. **“SAVE THESE INSTRUCTIONS”**

**PART FIGURE**





## OPERATING INSTRUCTION

### Check before turning on the machine

1. Check if the power wire is under good condition.
2. The product adopts 120V AC power supply, before use, please confirm if the rated current of the power socket meets the local requirements with safe grounding device, otherwise, please replace it with the qualified socket.

### Start the machine

Plug the unit into a grounded 120V outlet, the power light "☑" on, press the ON/OFF key (or press the ON/OFF key of the remote controller) for start, the machine supplies air at high power after start, the digital screen displays "HI".

### Function setting

Repeatedly press the "Function" key so that the heater switches in the order of "high gear - low gear- ECO mode – fan only mode- high gear".

### Temperature setting

In the ECO mode of the machine, press "+" or "-" can set the temperature value, set the range of 40-95°F. When the room temperature exceeds the set temperature at 4°F, the machine stops working, and stay in the standby state. When the temperature is lower than the set temperature, the machine starts to heat up again.

### Timing function

Timing stop

When the heater is turned on, press the TIMER key to enter the timing stop state

(within 0-24 hours), then press the "+" key to increase the timing stop time, and press the "-" key to decrease the timing stop time.

Timing start

When the electric heater is in the standby mode, press the TIMER key to enter the reservation start mode (within 0-24 hours), then press the "+" key to increase the reservation start time, and press the "-" key to decrease the reservation start time.

## Oscillation function

The electric heater in operation mode, press the "Oscillation" key to open the oscillation function, pressing this button to turn off the oscillation function; when the electric heater stops heating function, the wind oscillating function also stop.

## Temperature sensor short circuit, open circuit protection function

No matter in what mode, the temperature sensor appears short circuit or open circuit, digital screen displays "E1" or "E2" and constantly flicker, while any key operation is invalid and the buzzer rings 10 times.

## Safety protection

In the start state, when the room temperature TH is above 122°F, close all outputs system, The digital screen displays "FF" and flashes 1 time per second at a frequency of 75 times, press any key will not work, only the power down to exit the protection.

## Tip-over switch

As a safety measure, the unit will shut off automatically if it is knocked over. Should this occur, simply turn the heater off and stand it back up to a regular upright position, then switch it back on.

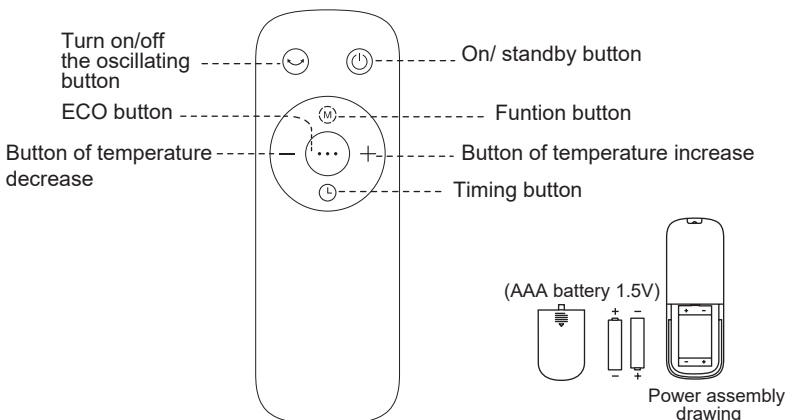
## ECO energy saving function

Select the ECO energy saving gear and set the temperature. The heater will adjust its heating gear by comparison between the ambient temperature and set temperature.

## Remote controller

Use of the remote controller: the key functions are basically the same as the body operation panel.

## Remote control



Control range of remote controller  
The remote controller control can be normally used within 5 meters in front of the product and in the left and right angles of 30 degrees.

Please use a manganese or alkaline battery of type "AAA" and do not use a non-recyclable battery.

## MAIN TECHNOLOGY SPECIFICATIONS

Power supply: AC 120V ~ 60Hz

MODEL	POWER REGULATION RANGE (W)			
	LOW	HIGH	LOW OSC	HIGH OSC
NTH15-22GR	900	1500	900	1500

## TROUBLESHOOTING

If the product does not operate or does not operate properly, first check according to the following list. If the reason the product does not operate or does not operate properly is not included in the following list, the product may have failed. At this time, it is recommended to send the product to the dealer for treatment.

Problem	Possible Cause	Solution
After the power is engaged, the machine does not work.	The plug may not be plugged well.	Check whether the plug is properly inserted into the receptacle.
The machine suddenly stops during heating.	The temperature exceeds the threshold of the thermal cut-off.	Pull off the plug manually, and then insert it into the receptacle again when the machine is cooled.

## CLEANING AND STORAGE

It is recommended that the heater be cleaned at least one time during the operating season in order to provide the optimum level of performance. **ALWAYS TURN THE POWER SWITCH OFF AND UNPLUG THE HEATER BEFORE CLEANING.** Be sure to save the box for off-season storage.

- Turn the heater “**OFF**”, unplug it and wait for the heater to cool down.
- Use a dry cloth to clean only external surfaces of the heater.
- Do not use any cleaning agents or detergents.
- Never immerse the heater in water.
- Pack the heater in the original carton and store it in a cool and dry place.

Warning: This heater cannot achieve accurate temperature control of the environment, and thus cannot be used as an insulation device for storage environment, items, animals and plants.







**GD Midea Environment Appliances MFG.Co.,Ltd.**

No.28, Dong Fu Road, Hesui East Industrial Area, Dong Feng Town, Zhongshan, Guangdong  
528425 P.R.China