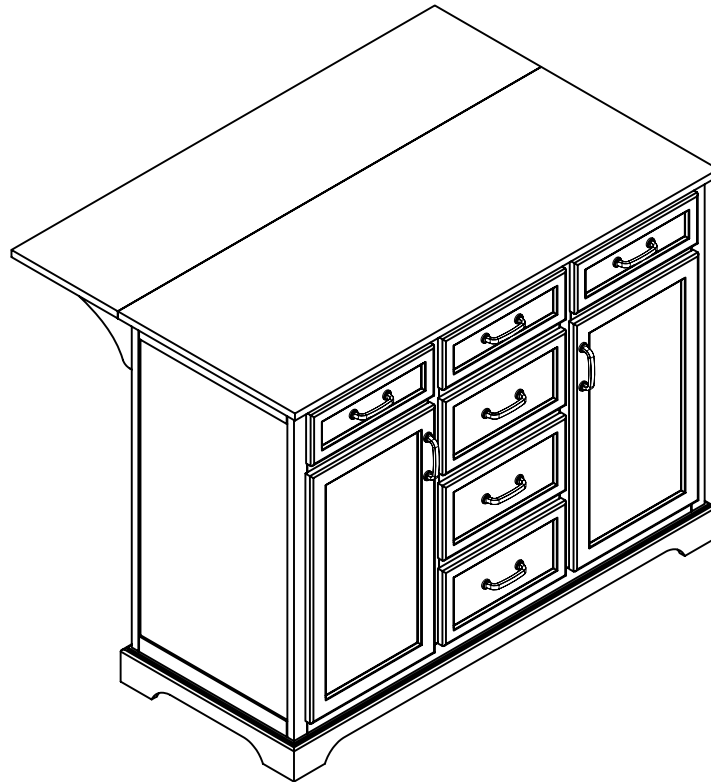


USE AND CARE GUIDE

KITCHEN ISLAND



Questions, problems, missing parts? Before returning to the store,
call Home Decorators Collection Customer Service.
8 a.m. – 7 p.m., EST, Monday – Friday, 9 a.m. – 6 p.m., EST, Saturday

1-800-998-7021

HOMEDEPOT.COM/HOMEDECORATORS

THANK YOU

We appreciate the trust and confidence you have placed in Home Decorators Collection through the purchase of this kitchen island. We strive to continually create quality products designed to enhance your home. Visit us online to see our full line of products available for your home improvement needs. Thank you for choosing Home Decorators Collection!

Table of Contents

Table of Contents.....	2	Hardware Included.....	3
Safety Information.....	2	Pre-assembly (continued).....	4
Warranty.....	2	Package Contents.....	4
3 Year Warranty.....	2	Assembly.....	5
What is Covered.....	2		
What is Not Covered.....	2		
Pre-assembly.....	3		
Planning Assembly.....	3		
Tools Required.....	3		

Safety Information



DANGER

- Keep small parts away from children during assembly.
- Read and follow instructions carefully.



WARNING

- Read these instructions carefully and keep in a safe place.
- TO GUARANTEE THE SAFE USE OF THIS PRODUCT, FOLLOW THE WARNINGS, GUIDELINES AND RECOMMENDATIONS IN THIS MANUAL.
- Adult assembly required.
- Small parts may present choking hazard prior to assembly.
- Do not place heavy objects on the glass top.
- Some assembly may involve attaching glass or mirrors.
- Be very careful handling the glass or mirrors, as severe injury may result if the glass or mirror breaks.
- Never handle large pieces of glass or mirrors by yourself.



CAUTION

- Do not use power tools to assemble your furniture. Power tools may strip or damage parts/product.
- Do not overtighten connectors (screws, bolts, etc.). Overtightening can lead to product damage.
- Be sure to check all packing materials carefully for small parts that may have come loose inside the carton during shipment. If parts are missing, contact THE HOME DEPOT to obtain any missing parts.
- DO NOT USE SUBSTITUTE PARTS.
- This product should only be used on a flat, level surface.

Warranty

3 YEAR WARRANTY

WHAT IS COVERED

We guarantee this product to be free of manufacturing defects to the original purchaser for three years.

WHAT IS NOT COVERED

This warranty does not cover commercial use, acts of nature, and abusive use.

Pre-assembly

PLANNING ASSEMBLY

Keep children and pets away from build area. Make sure your area is large enough to unpack, sort and assemble the unit.

TOOLS REQUIRED



Small head
Phillips
screwdriver

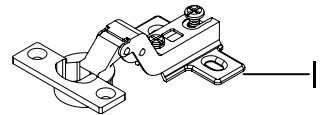
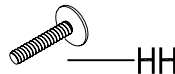
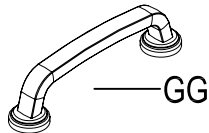
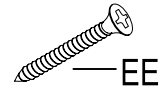
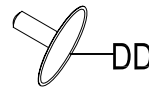
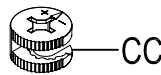
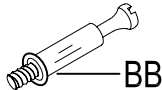
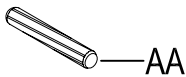


Large head
Phillips
screwdriver

HARDWARE INCLUDED



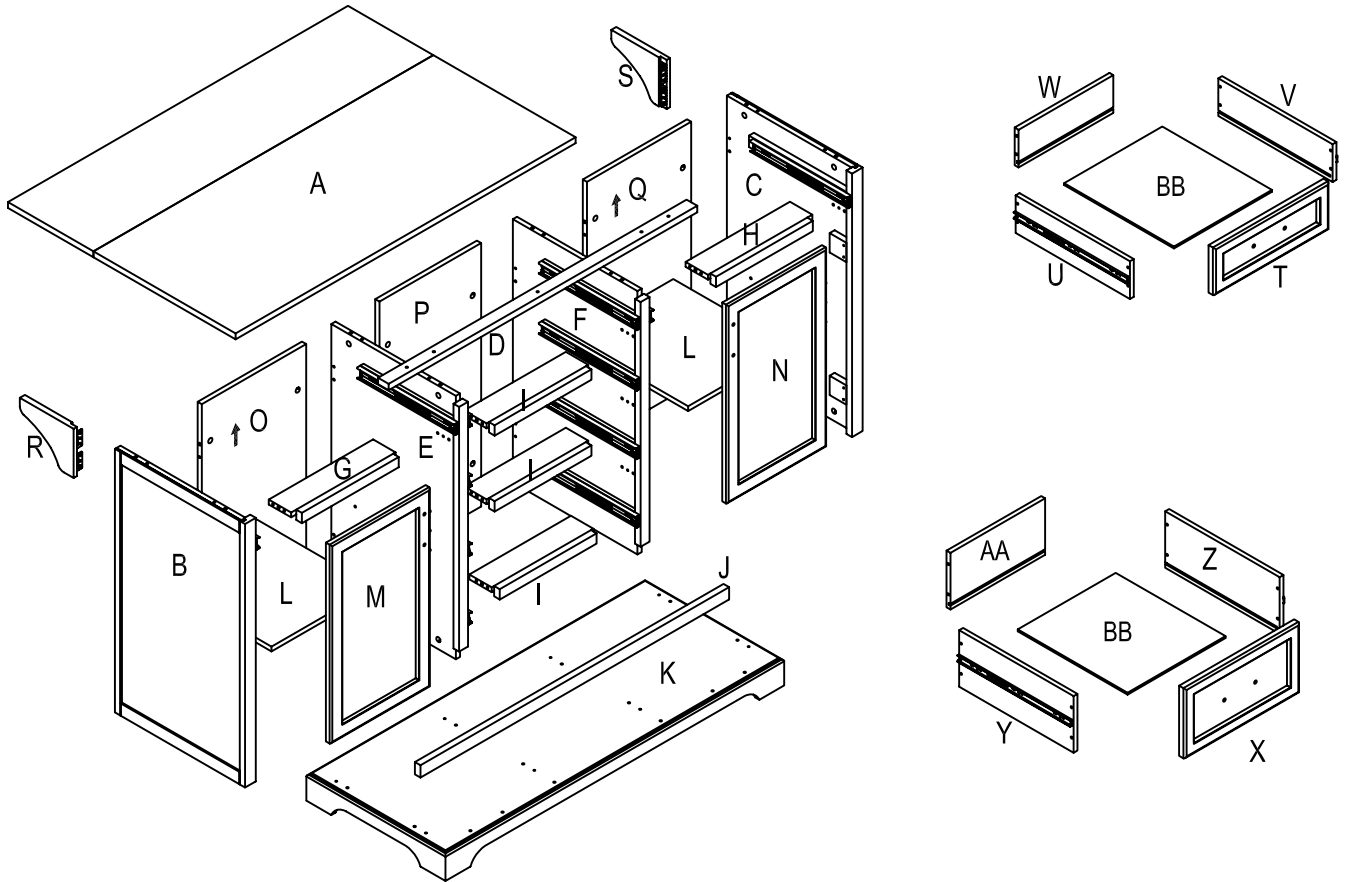
NOTE: Hardware not shown to actual size.



Part	Description	Quantity
AA	Wood dowel	52
BB	Cam lock bolt	38
CC	Cam lock	38
DD	Plastic cover	16
EE	1 in. Flat head screw	55
FF	Shelf support	8
GG	Handle	8
HH	Handle bolt	16
II	Hinge	4
JJ	5/8 in. Flat head screw	28

Pre-assembly (continued)

PACKAGE CONTENTS



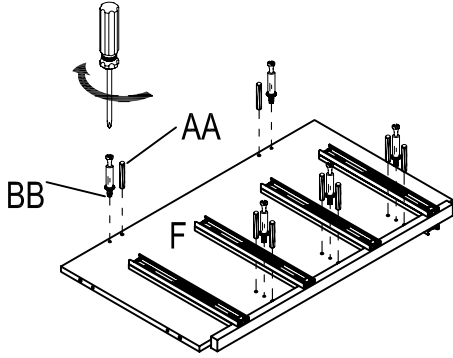
Part	Description	Quantity
A	Top panel	1
B	Left side panel	1
C	Right side panel	1
D	Top crossbar	1
E	Left partition	1
F	Right partition	1
G	Left crossbar	1
H	Right crossbar	1
I	Center crossbar	3
J	Bottom crossbar	1
K	Bottom panel	1
L	Adjustable shelf	2
M	Left door	1
N	Right door	1

Part	Description	Quantity
O	Left back panel	1
P	Center back panel	1
Q	Right back panel	1
R	Left side support	1
S	Right side support	1
T	Small drawer front panel	3
U	Small drawer left side panel	3
V	Small drawer right side panel	3
W	Small drawer back panel	3
X	Large drawer front panel	3
Y	Large drawer left side panel	3
Z	Large drawer right side panel	3
AA	Large drawer back panel	3
BB	Drawer bottom panel	6

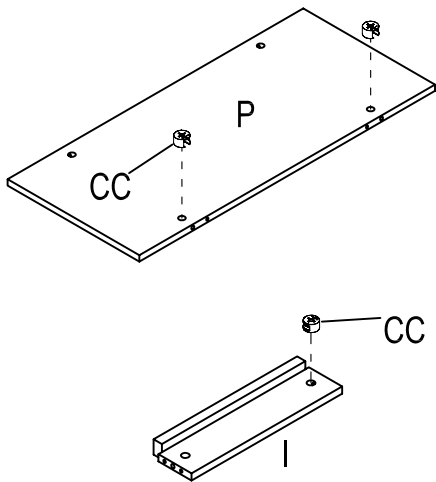
Assembly

1 Attaching center back panel and center crossbar to right partition

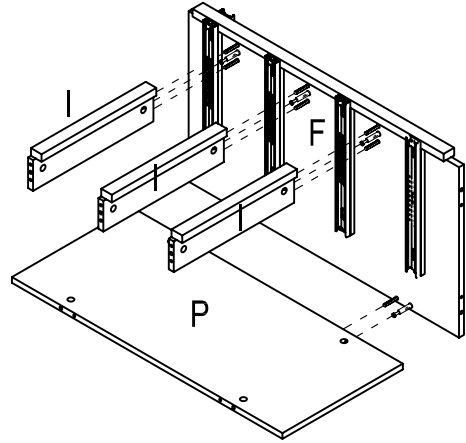
- a) Install dowel (AA) and bolt (BB) into partition (F).



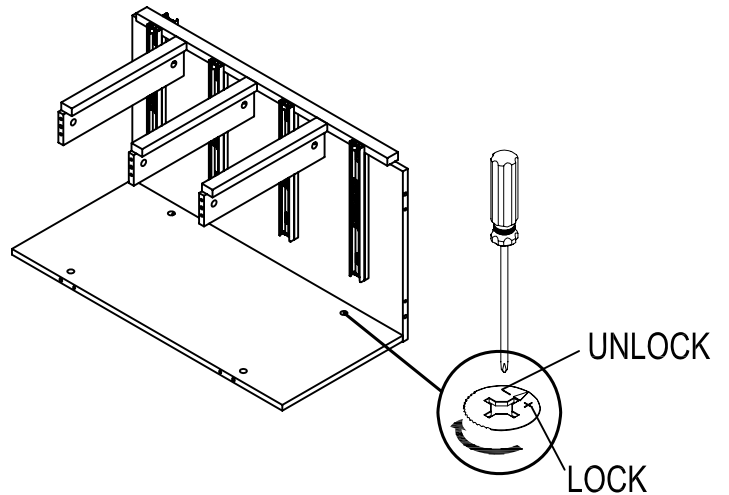
- b) Insert lock (CC) into panel (P) and bar (I).



- c) Join panel (P) and bar (I) to the partition (F).



- d) Tighten bolt (BB) with lock (CC) in the pre-drilled holes.

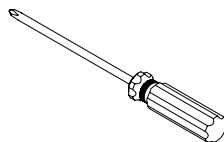
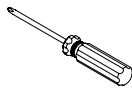
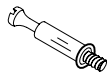


Wood dowel Cam lock bolt Cam lock Small head Large head

(AA) x 8

(BB) x 5

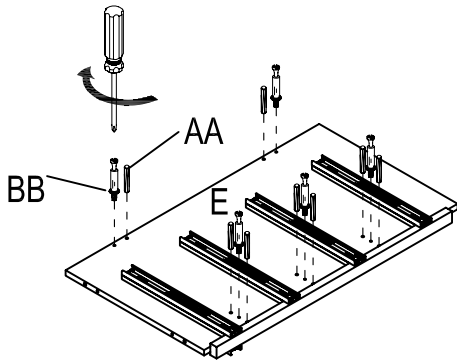
(CC) x 5



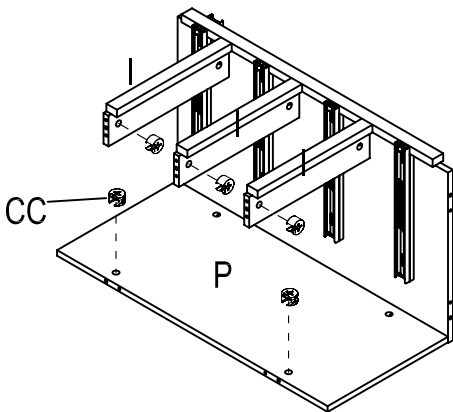
Assembly (continued)

2 Attaching the left partition

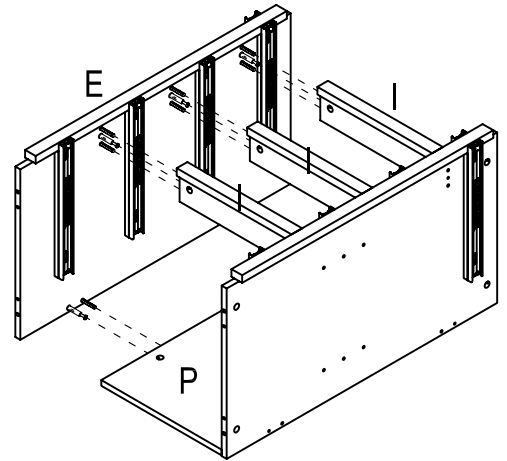
- a) Install dowel (AA) and bolt (BB) into partition (E).



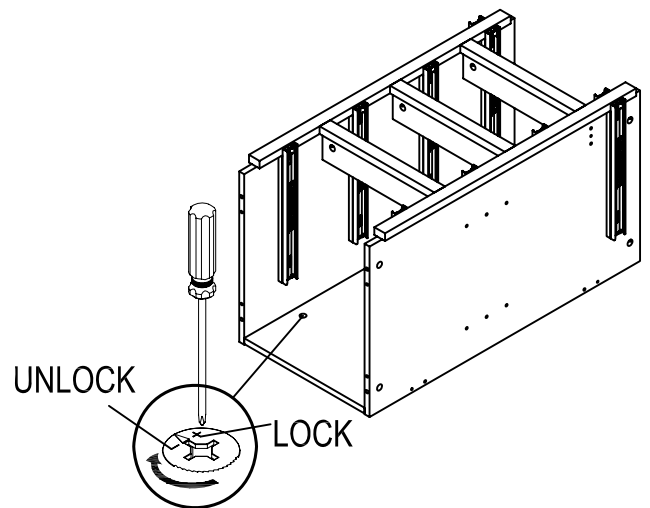
- b) Insert lock (CC) into panel (P) and bar (I).



- c) Join partition (E) to the assembled body with dowel (AA).



- d) Tighten bolt (BB) with lock (CC) in the pre-drilled holes.

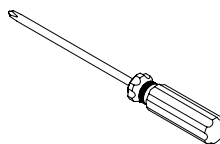
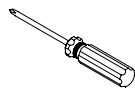
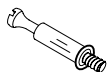


Wood dowel Cam lock bolt Cam lock Small head Large head

(AA) x 8

(BB) x 5

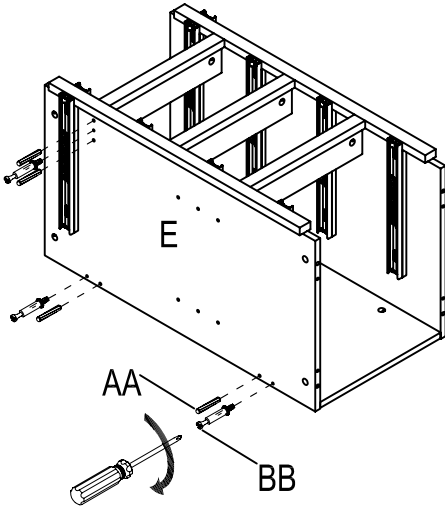
(CC) x 5



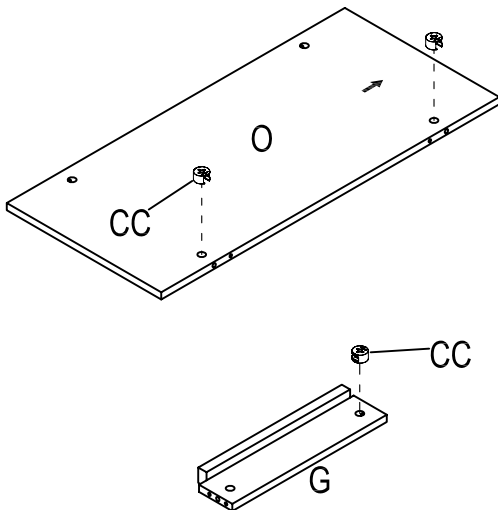
Assembly (continued)

3 Attaching the left back panel and left crossbar

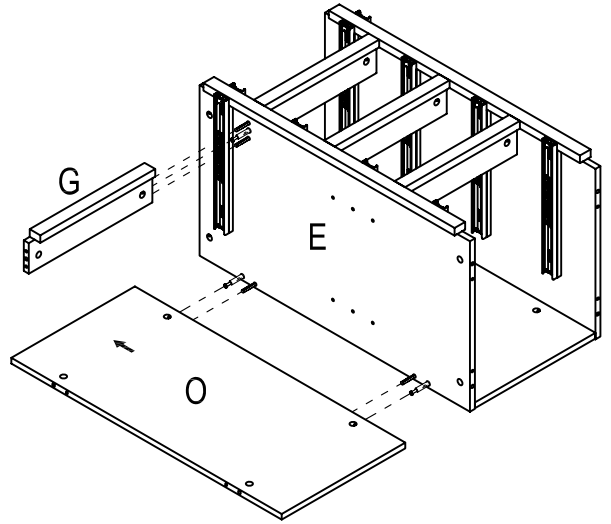
- a) Install dowel (AA) and bolt (BB) into partition (E).



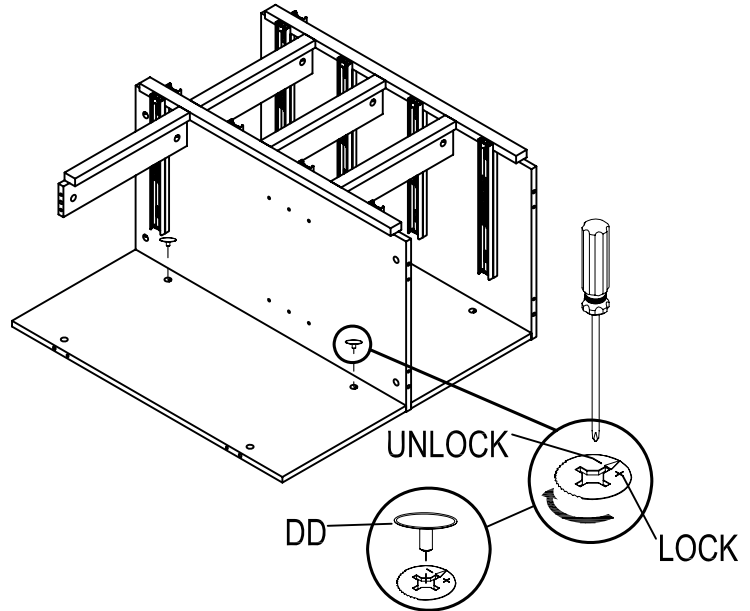
- b) Insert lock (CC) into panel (O) and bar (G).



- c) Join panel (O) and bar (G) to the assembled body with dowel (AA).



- d) Tighten bolt (BB) with lock (CC) in the pre-drilled holes.

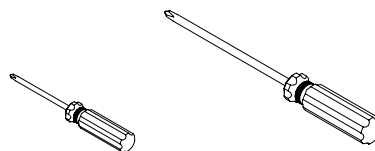


Wood dowel Cam lock bolt Cam lock Plastic cover

(AA) x 4 (BB) x 3 (CC) x 3 (DD) x 2



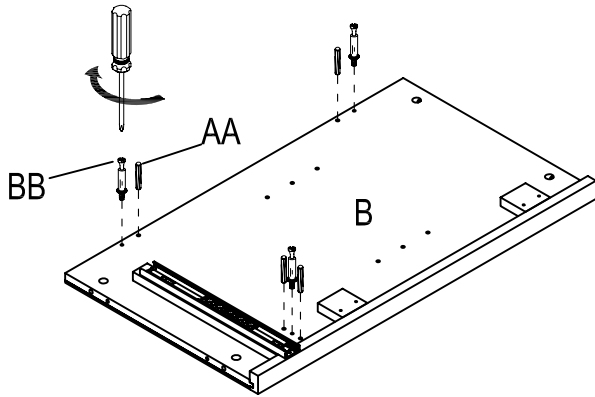
Small head Large head



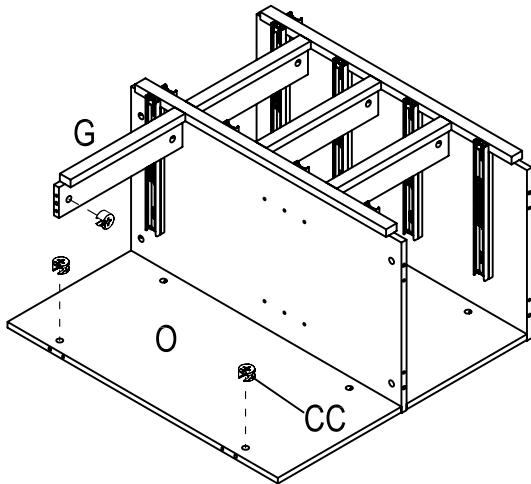
Assembly (continued)

4 Attaching the left side panel

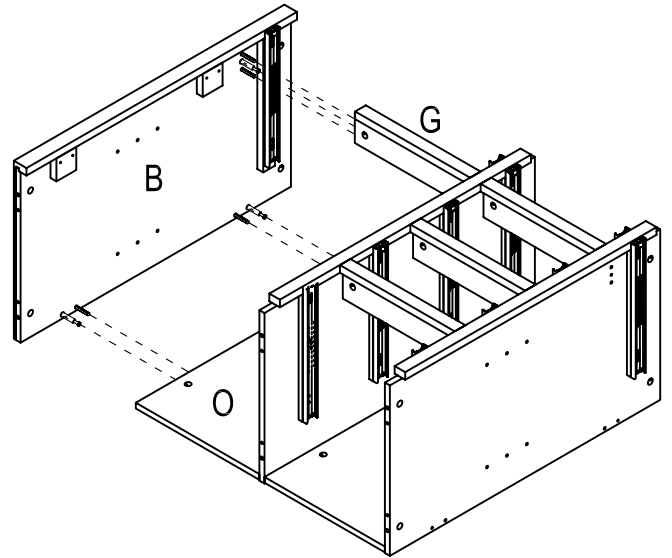
- a) Install dowel (AA) and bolt (BB) into panel (B).



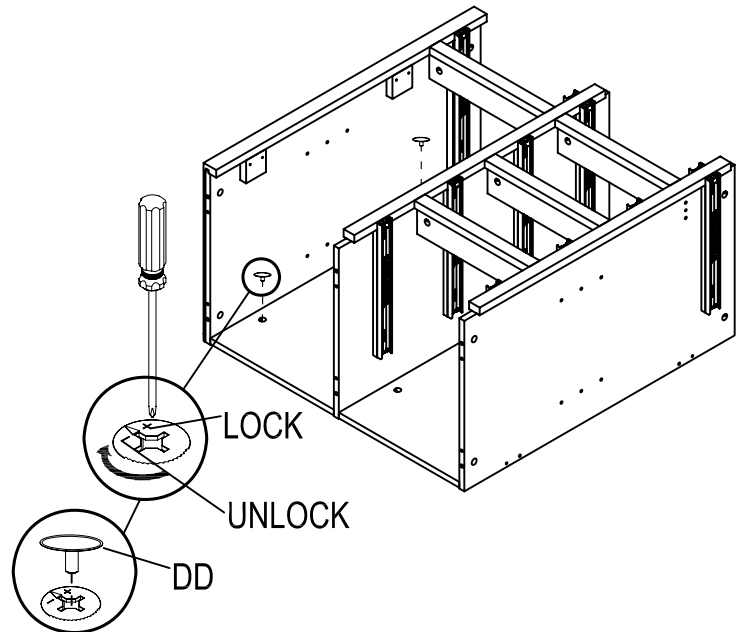
- b) Insert lock (CC) into panel (O) and bar (G).



- c) Join panel (B) to the assembled body with dowel (AA).



- d) Tighten bolt (BB) with lock (CC) in the pre-drilled holes.



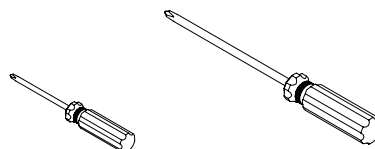
- e) Cover the cam holes with the cover (DD).

Wood dowel Cam lock bolt Cam lock Plastic cover

(AA) x 4 (BB) x 3 (CC) x 3 (DD) x 2



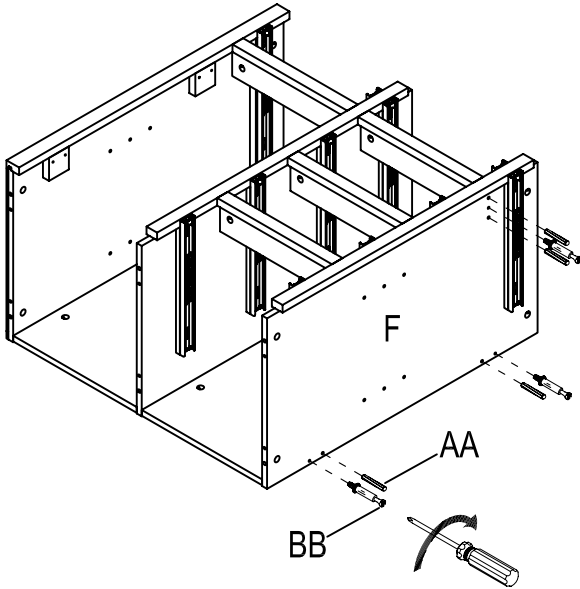
Small head Large head



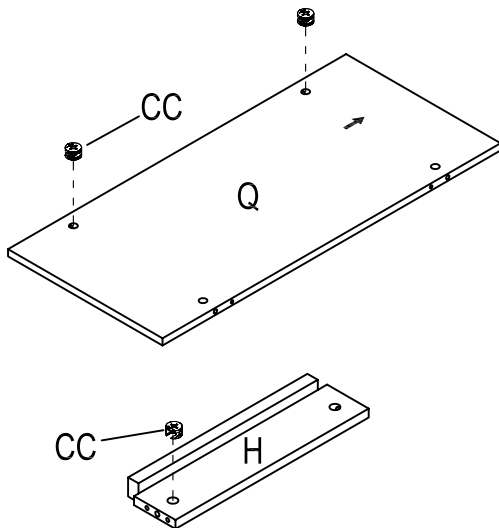
Assembly (continued)

5 Attaching the right back panel and right crossbar

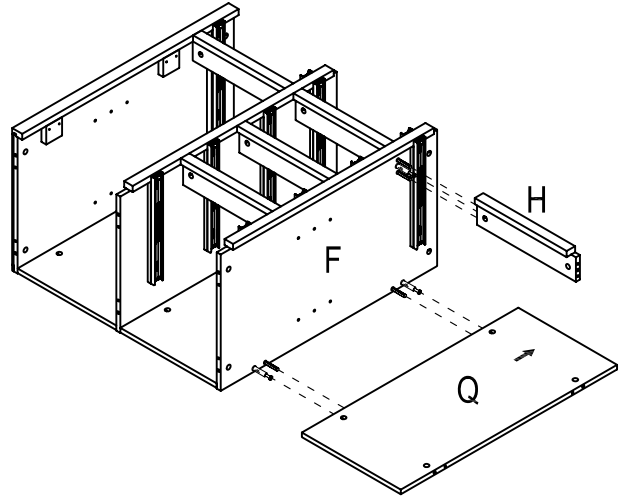
- a) Install dowel (AA) and bolt (BB) into partition (F).



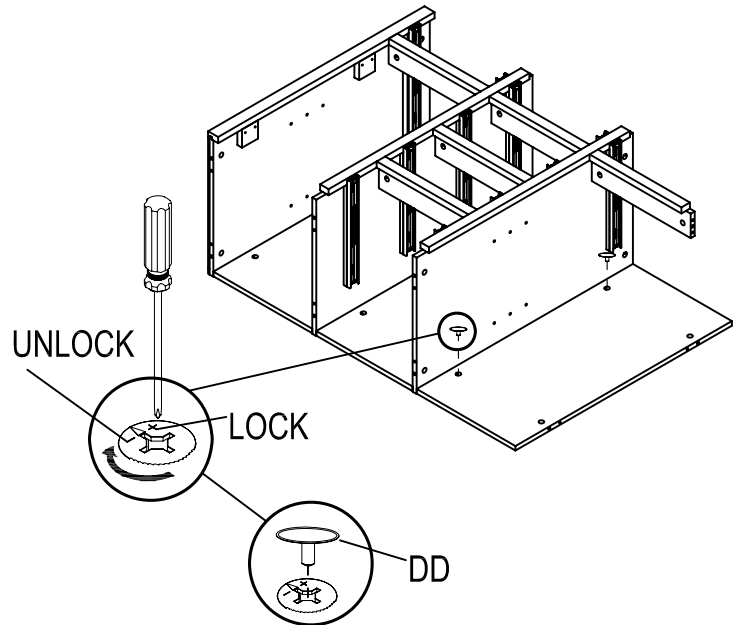
- b) Insert lock (CC) into panel (Q) and bar (H).



- c) Join panel (Q) and bar (H) to the assembled body with dowel (AA).



- d) Tighten bolt (BB) with lock (CC) in the pre-drilled holes.



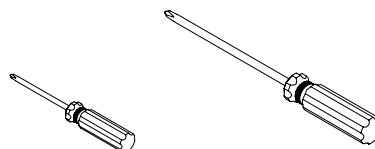
- e) Cover the cam holes with the cover (DD).

Wood dowel Cam lock bolt Cam lock Plastic cover

(AA) x 4 (BB) x 3 (CC) x 3 (DD) x 2



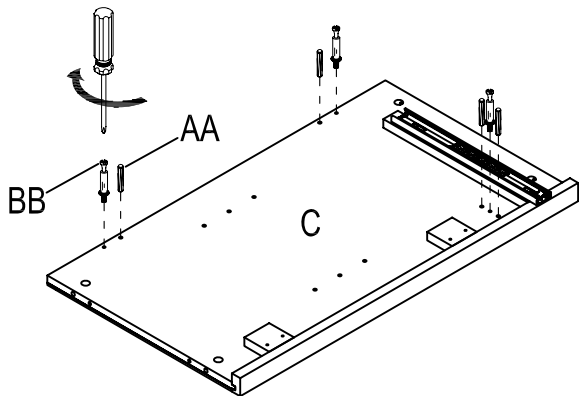
Small head Large head



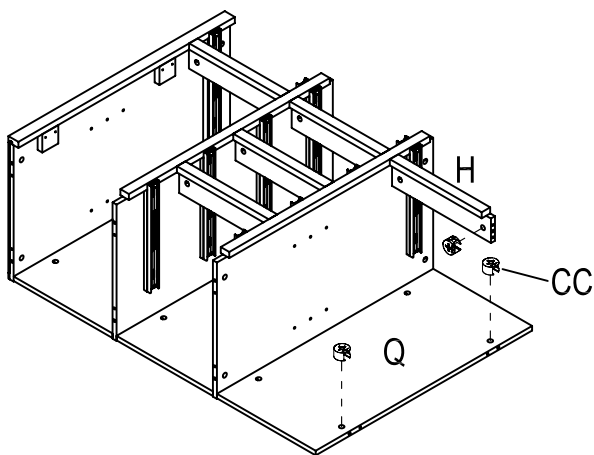
Assembly (continued)

6 Attaching the right side panel

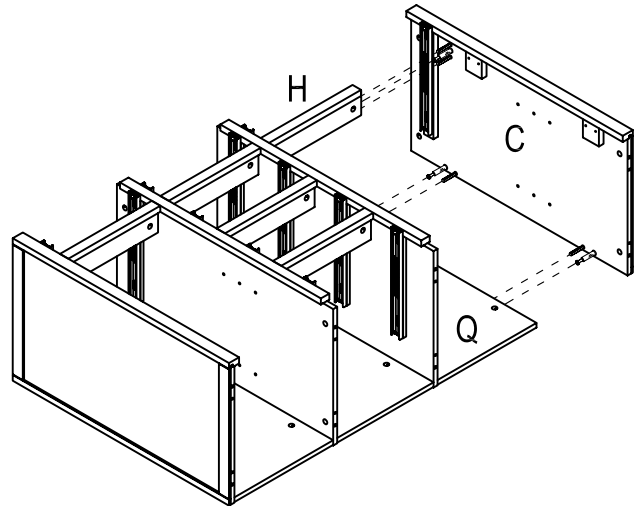
- a) Install dowel (AA) and bolt (BB) into panel (C).



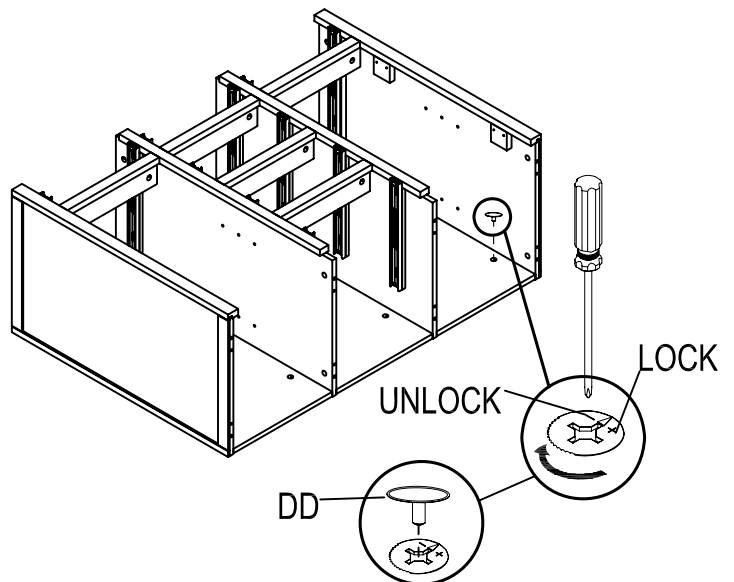
- b) Insert lock (CC) into panel (Q) and bar (H).



- c) Join panel (C) to the assembled body with dowel (AA).



- d) Tighten bolt (BB) with lock (CC) in the pre-drilled holes.



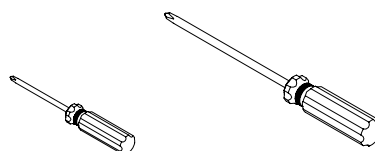
- e) Cover the cam holes with the cover (DD).

Wood dowel Cam lock bolt Cam lock Plastic cover

(AA) x 4 (BB) x 3 (CC) x 3 (DD) x 2



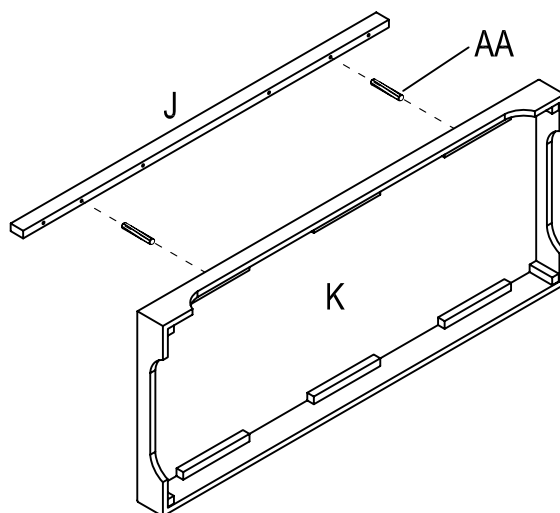
Small head Large head



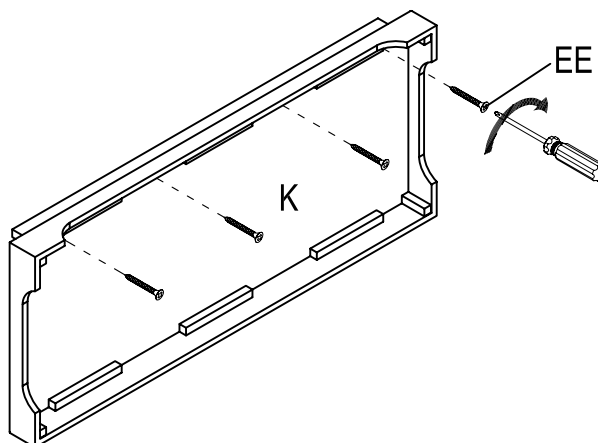
Assembly (continued)

7 Attaching the bottom crossbar to the bottom panel

- a) Join bar (J) to panel (K) with dowel (AA).



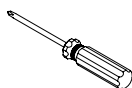
- b) Tighten bar (J) with screw (EE).



Wood dowel 1 in. Flat head screw Small head

(AA) x 2

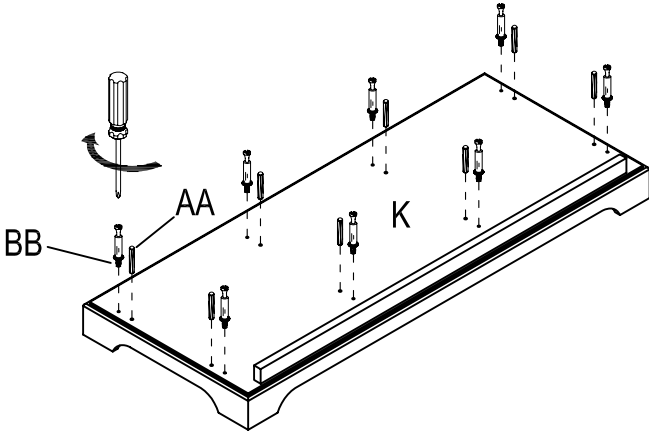
(EE) x 4



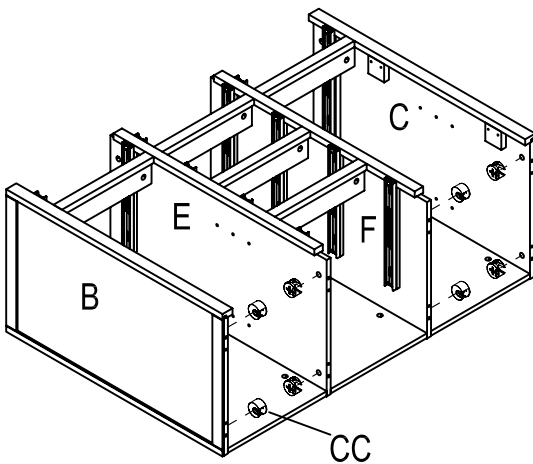
Assembly (continued)

8 Attaching the bottom panel

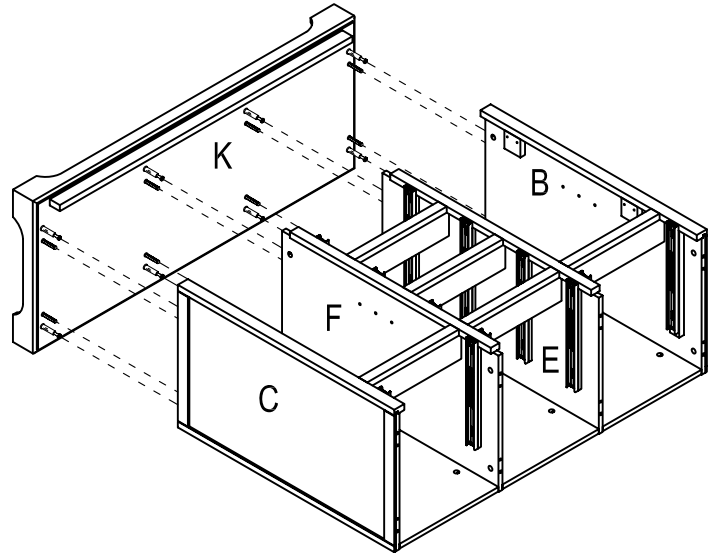
- a) Install dowel (AA) and bolt (BB) into panel (K).



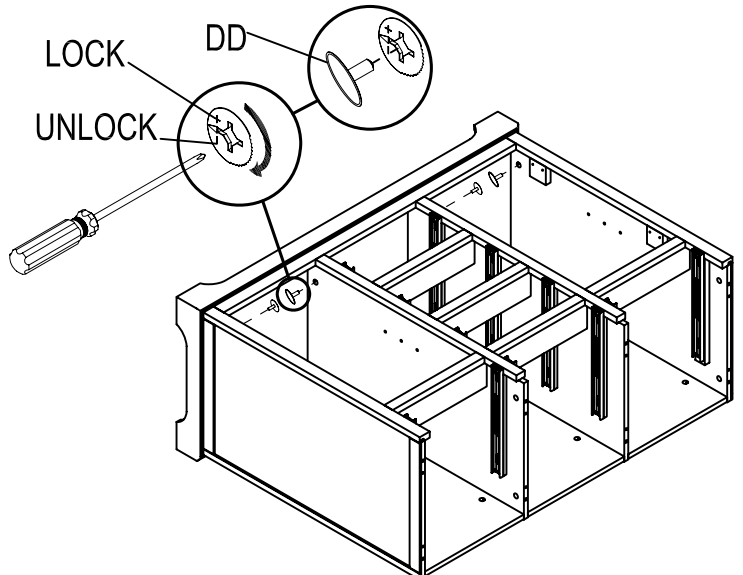
- b) Insert lock (CC) into panels (B), (E), (F) and (C).



- c) Join panel (K) to the assembled body with dowel (AA).



- d) Tighten bolt (BB) with lock (CC) in the pre-drilled holes.



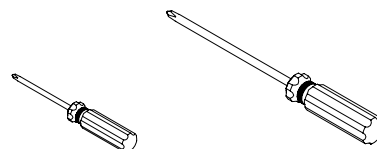
- e) Cover the cam holes with the cover (DD).

Wood dowel Cam lock bolt Cam lock Plastic cover

(AA) x 8 (BB) x 8 (CC) x 8 (DD) x 8



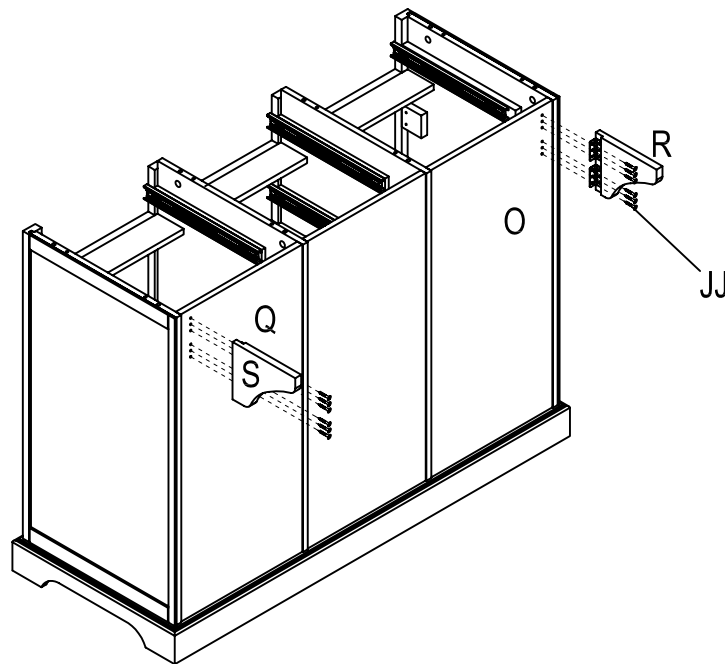
Small head Large head



Assembly (continued)

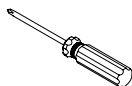
9 Attaching the support

- Tighten supports (S) and (R) with screw (JJ).



5/8"L Flat head screw Small head

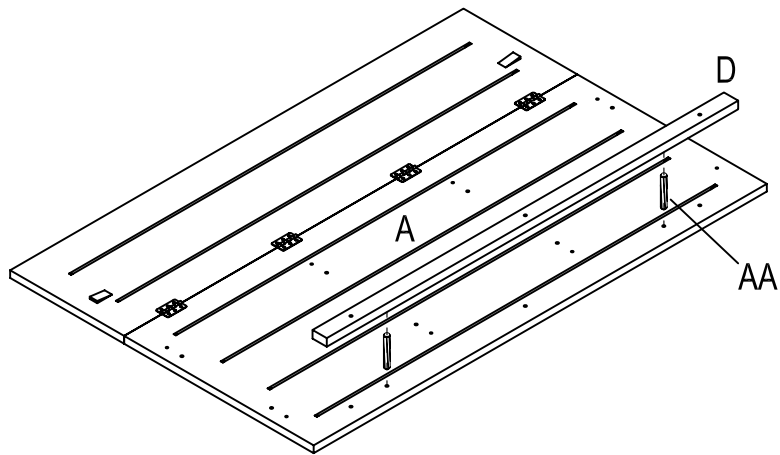
(JJ) x 12



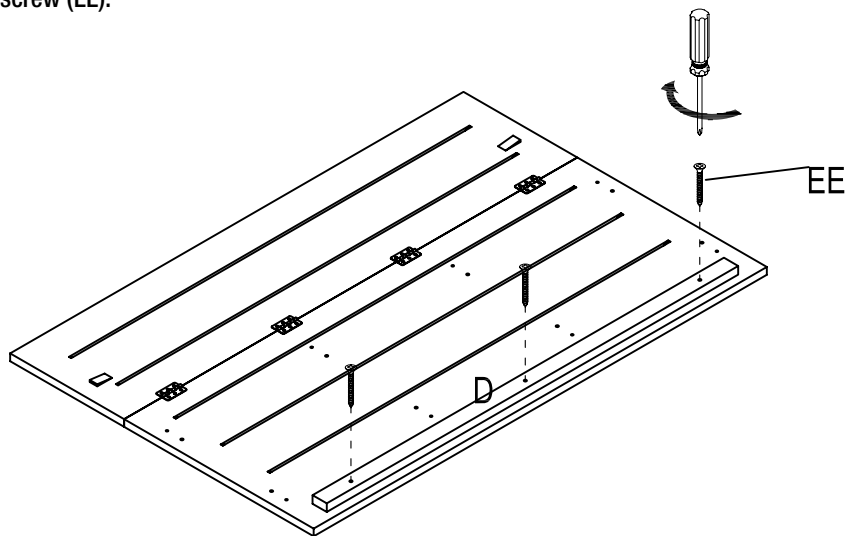
Assembly (continued)

10 Attaching the top crossbar to the top panel

- a) Join bar (D) to the panel (A) with dowel (AA).

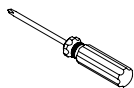


- b) Tighten bar (D) with screw (EE).



Wood dowel 1 in. Flat head screw Small head

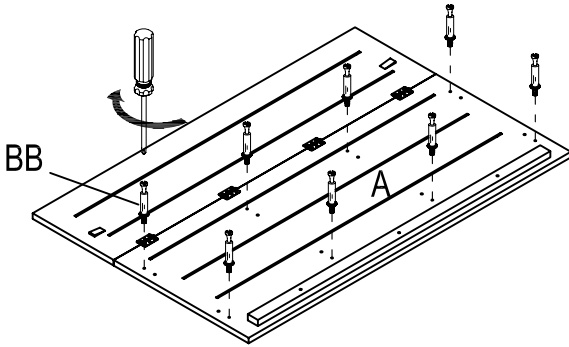
(AA) x 2 (EE) x 3



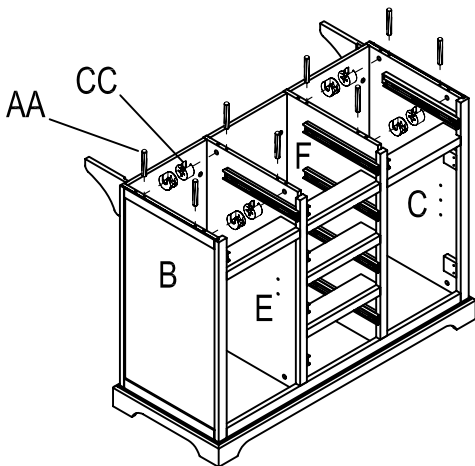
Assembly (continued)

11 Attaching the top panel

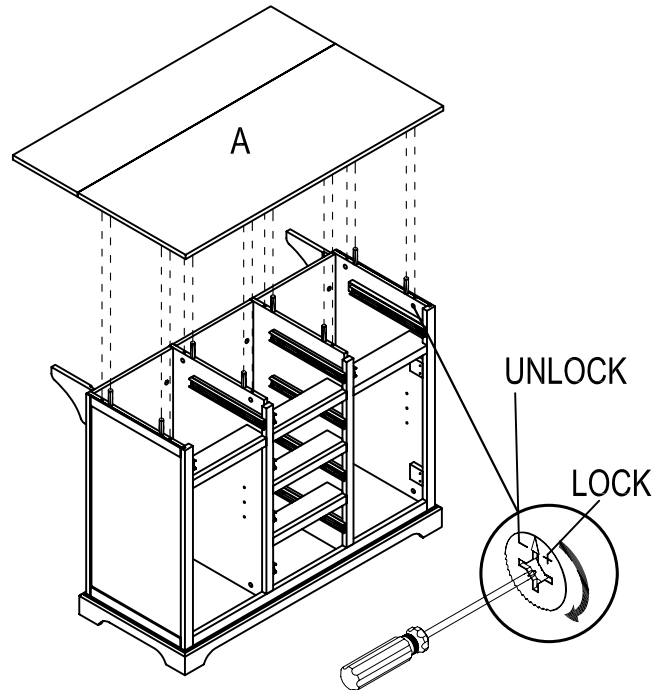
- a) Install bolt (BB) into panel (A).



- b) Insert lock (CC) and dowel (AA) into panels (B), (E), (F) and (C).



- c) Join panel (A) to the assembled body with dowel (AA).



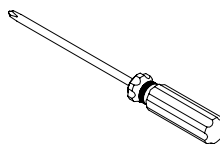
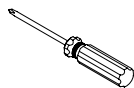
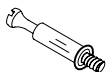
- d) Tighten bolt (BB) with lock (CC) in the pre-drilled holes.

Wood dowel Cam lock bolt Cam lock Small head Large head

(AA) x 8

(BB) x 8

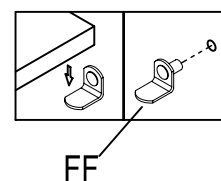
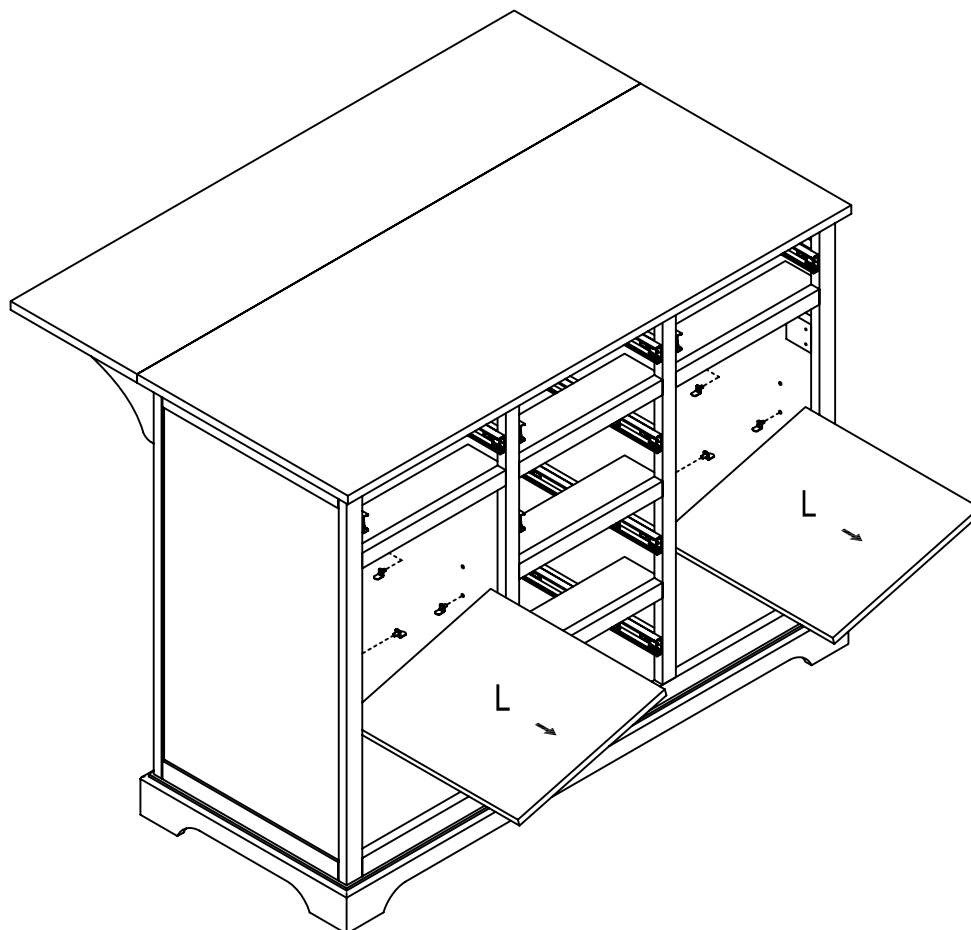
(CC) x 8



Assembly (continued)

12 Assembling the adjustable shelf

- Insert shelf supports (FF) in desired positions and place shelf (L) on the supports.



Shelf support

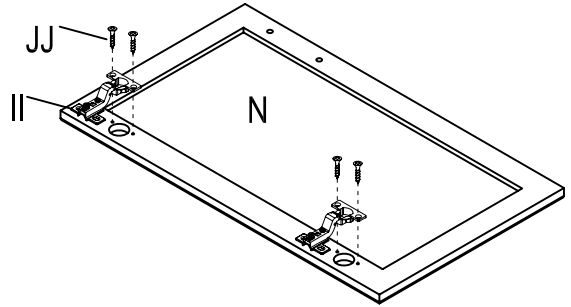
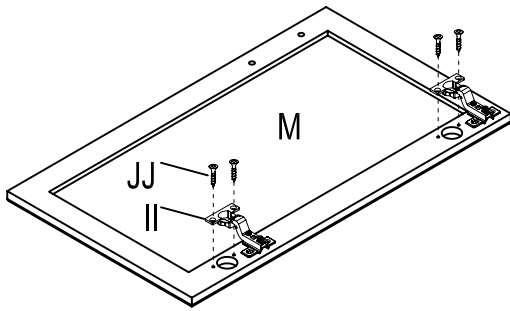
(FF) x 8



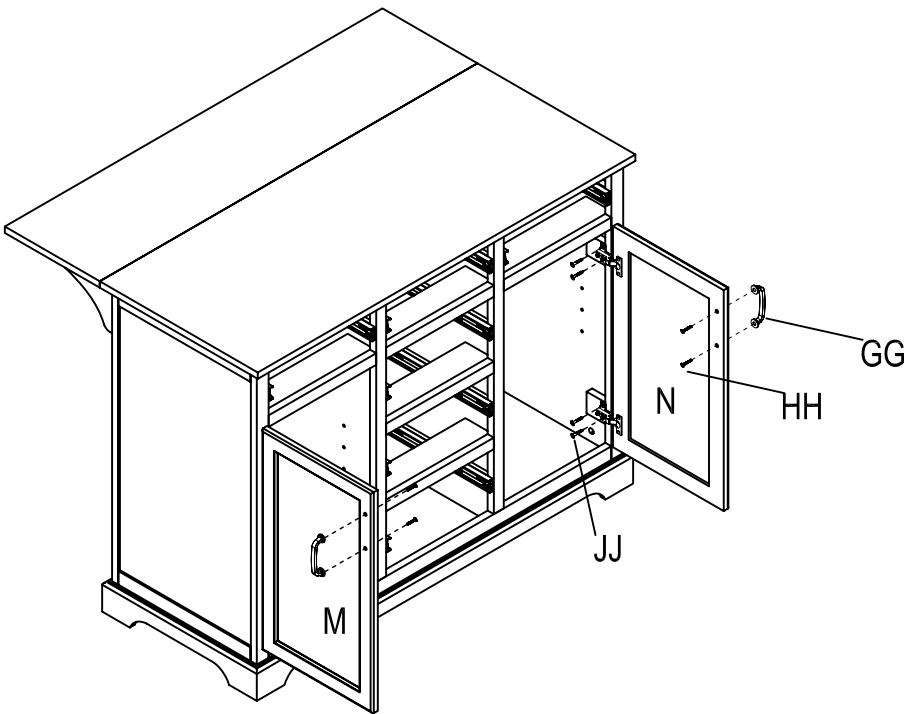
Assembly (continued)

13 Attaching the door

- a) Attach hinge (II) to left door (M) and right door (N) with screw (JJ).



- b) Attach left door (M) and right door (N) to the assembled body with screw (JJ) as shown. Attach handle (GG) to left door (M) and right door (N) with the handle bolt (HH).



DOOR FITTING

1

To adjust in width

2

To adjust in height

3

To adjust in depth

NOTE: A helper who can hold the door in position makes the door installation easier.

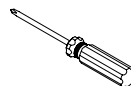
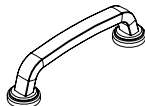
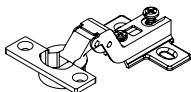
5/8 in. Flat head screw Hinge Handle Handle bolt Small head

(JJ) x 16

(II) x 4

(GG) x 2

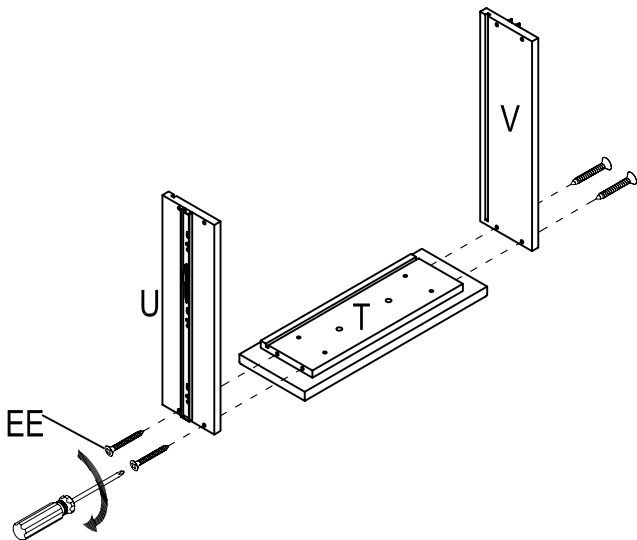
(HH) x 4



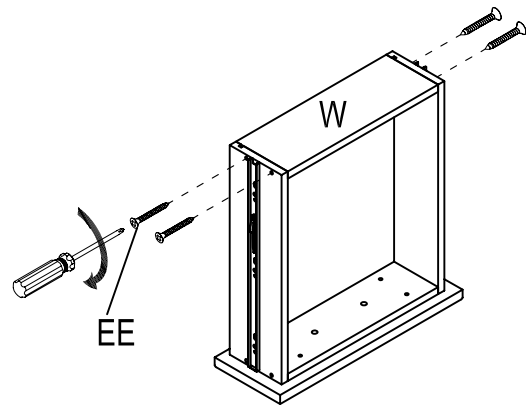
Assembly (continued)

14 Assembling the small drawer

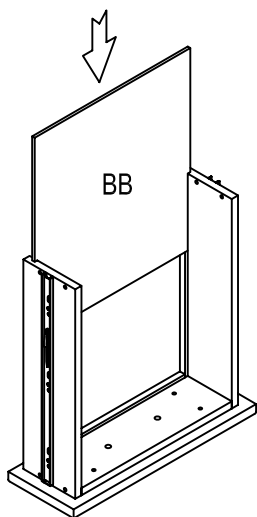
- a) Tighten panels (U) and (V) to the panel (T) with screw (EE).



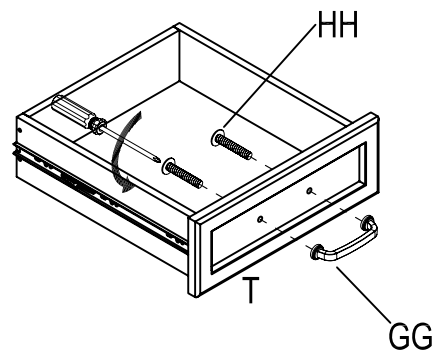
- c) Tighten panel (W) to the assembled body with screw (EE).



- b) Slide panel (BB) into the grooves on panels (U) and (V).



- d) Tighten handle (GG) to panel (T) with bolt (HH).



1 in. Flat head screw

Handle

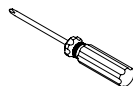
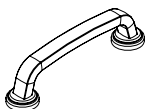
Handle bolt

Small head

(EE) x 24

(GG) x 3

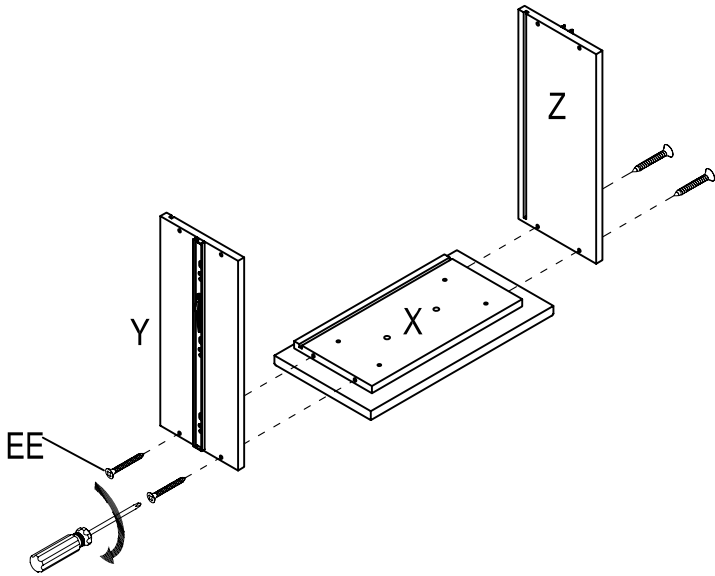
(HH) x 6



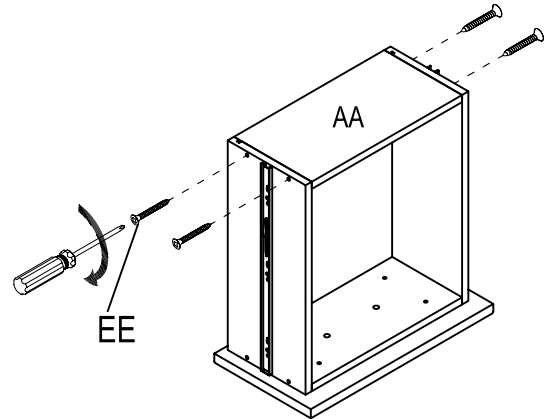
Assembly (continued)

15 Assembling the large drawer

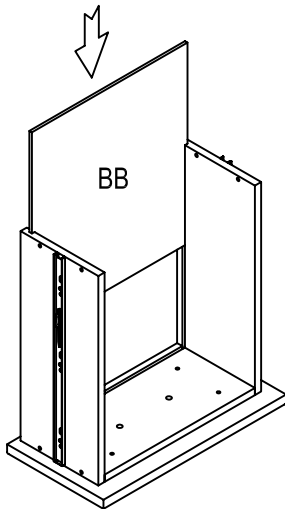
- a) Tighten panels (Y) and (Z) to panel (X) with screw (EE).



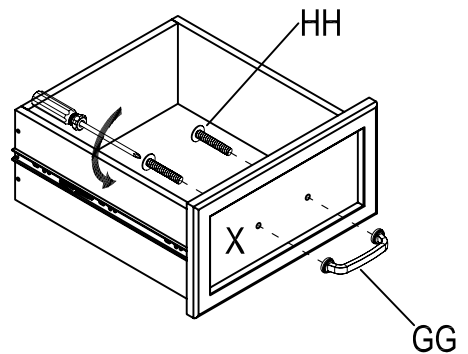
- c) Tighten panel (AA) to the assembled body with screw (EE).



- b) Slide panel (BB) into the grooves on panels (Y) and (Z).



- d) Tighten handle (GG) to panel (X) with bolt (HH).



1 in. Flat head screw

Handle

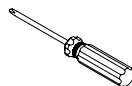
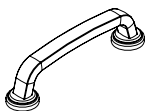
Handle bolt

Small head

(EE) x 24

(GG) x 3

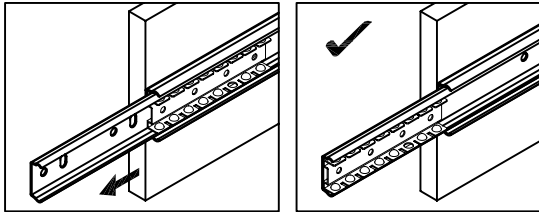
(HH) x 6



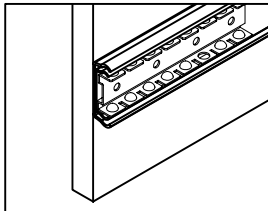
Assembly (continued)

16 Finalizing the assembly

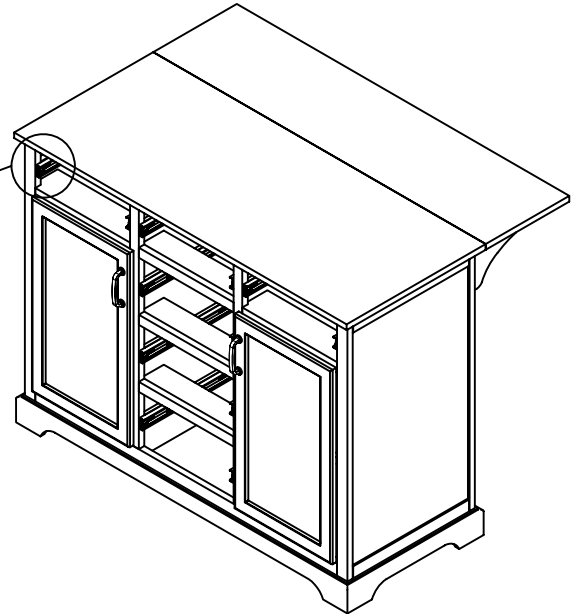
- Insert the six drawers into the assembled body as shown.



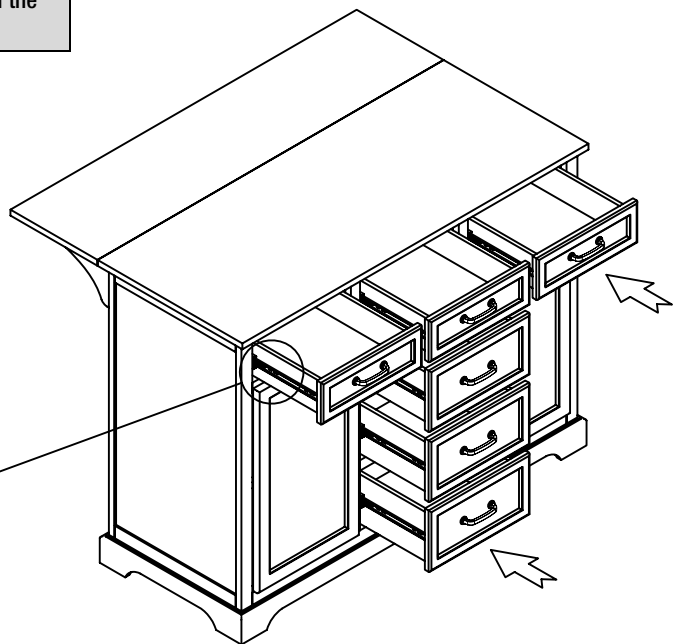
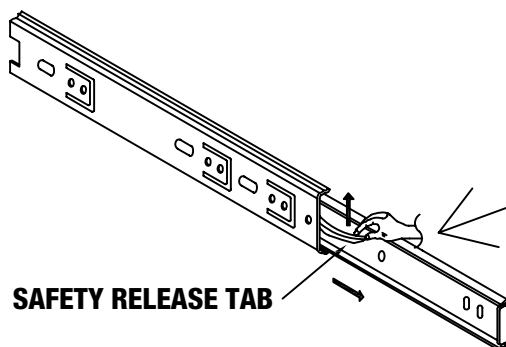
1. Pull out slide. Slide bearings forward.



2. Push slide back inside.
Repeat for every slide!



NOTE: Make sure the slide piece is at the front end of the glide when installing the drawer into the body.



NOTE: When removing the drawer, tip-up the safety release tab to remove the drawer from the body.

HOME
DECORATORS
COLLECTION®

Questions, problems, missing parts?
Before returning to the store, call Home Decorators Collection Customer Service.
8 a.m. – 7 p.m., EST, Monday – Friday, 9 a.m. – 6 p.m., EST, Saturday

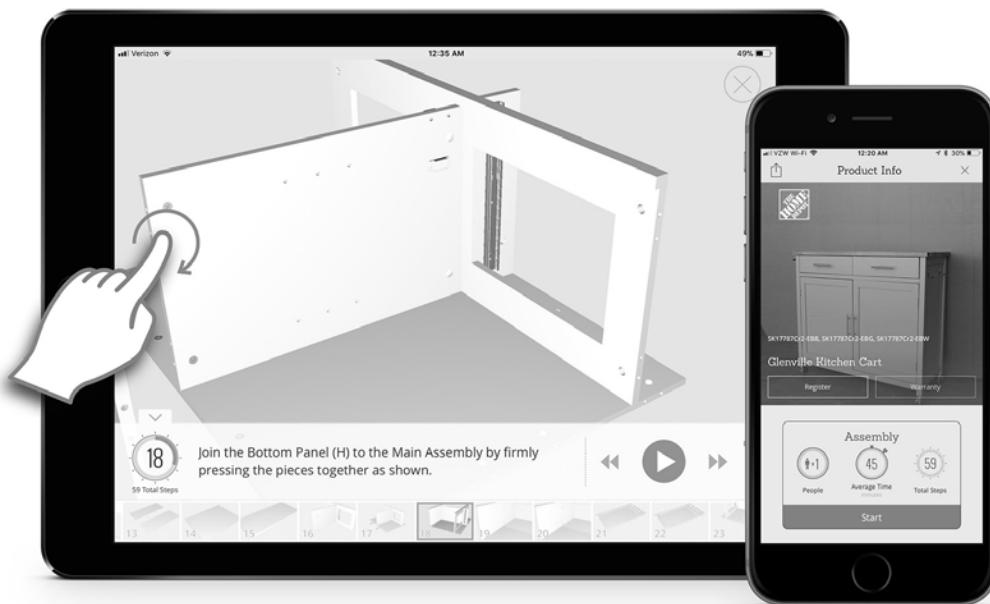
1-800-998-7021

[HOMEDEPOT.COM/HOMEDECORATORS](https://www.homedepot.com/homedecorators)

Retain this manual for future use.

IMPORTANT

Easy step-by-step
interactive 3D instructions
for this product can be found in



BILT® INTELLIGENT INSTRUCTIONS



Available on most iOS and Android devices

DOWNLOAD THE FREE APP

