



Framed Sliding Bathtub Door Kit

INSTALLATION GUIDE

Consult your local plumbing codes prior to installation.

For easy installation of your shower unit you will need to:

- READ ALL the instructions completely before beginning.
- READ ALL warnings, care, and maintenance information.
- Purchase the correct water supply components.

Distributed by:

Liberty Hardware Manufacturing Corporation

140 Business Park Drive

Winston-Salem, NC 27107

©2016 LHMC, A Masco Company

Made in China

For More Information Call: 1.800.964.4850

BEFORE YOU START

- ⚠ CAUTION:** Risk of injury. **DO NOT** attempt to cut tempered glass.
- ⚠ CAUTION:** Use work gloves to protect against sharp edges and corners.
- ⚠ CAUTION:** **DO NOT** cut the TOP TRACK the same length as the BOTTOM TRACK.
- ⚠ CAUTION:** **DO NOT** set the glass panels on concrete or other hard surface.
- ⚠ CAUTION:** **Open toe shoes like sandals or flip flops should not be worn when installing tub or shower doors.**

NOTE:

- Shower opening dimensions:
 - **60" Tub:** 53-1/2" minimum to 58-1/2" maximum.
- Walls must be within 3/8" (10 mm) of plumb.
- Cover tub or shower drain with rag or tape to avoid loss of small parts.
- Follow the silicone sealant manufacturer's instructions for application and curing time.

CARE AND CLEANING

For regular cleaning use **ONLY** mild detergents or warm, soapy water. Use **ONLY** non-abrasive cloth or sponge. **ALWAYS** rinse surfaces after cleaning.

Before cleaning this product with cleaning products, test a small, inconspicuous area.

CAUTION: Manufacturer does not recommend the use of cleaning products that contain any of the following chemicals. Use of products containing these chemicals can cause the products to crack or discolor and will void the warranty.

- Naphtha
- Hydrogen Peroxide Solution (common household peroxide)
- Toluene
- Ethyl Acetate
- Lye (common in drain cleaner)
- Acetone

For further inquiries, contact customer service at 1-800-964-4850.

THREE-YEAR LIMITED WARRANTY

Liberty Hardware plumbing products are warranted to be free of defects in material and workmanship for three years from date of purchase. Liberty Hardware will, at its election, repair, replace or make appropriate adjustment where Liberty Hardware determines that such defect occurred during normal usage within three (3) years after purchase. Liberty Hardware is not responsible for removal, installation costs, or incidental or consequential losses. Labor charges and/or damage incurred in installation, repair, or replacement of the product, as well as any other kind of loss or damage, are excluded. This warranty is not transferable. This warranty does not cover damage or defects relating to misuse, abuse, negligence, normal wear and tear, accident, acts of God, repairs or alterations not authorized by Liberty Hardware, or improper installation, storage or handling.

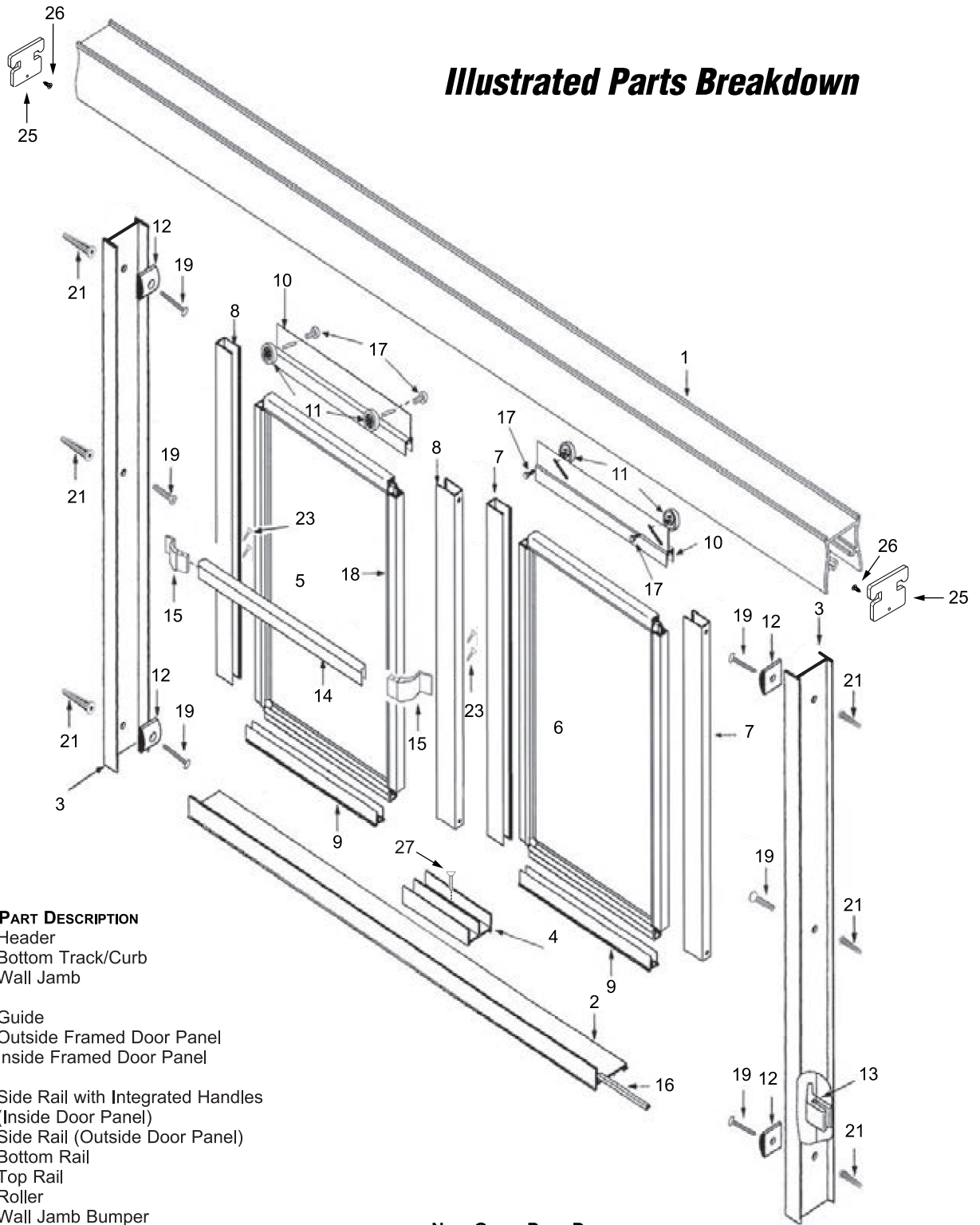
To obtain warranty service, contact Liberty Hardware either through your Dealer, Plumbing Contractor, Home Center, or by writing Liberty Hardware Attn.: Customer Solutions, 140 Business Park Drive, Winston-Salem, NC 27107, USA, or by calling 1-800-964-4850 from within the USA. Proof of purchase (original sales receipt) from the original consumer purchaser must be made available to Liberty Hardware for all warranty claims.

DISCLAIMER: IMPLIED WARRANTIES INCLUDING THAT OF MERCHANTABILITY AND FITNESS FOR A PARTICULAR PURPOSE ARE EXPRESSLY LIMITED IN DURATION TO THE DURATION OF THIS WARRANTY.

LIBERTY HARDWARE AND/OR SELLER DISCLAIM ANY LIABILITY FOR SPECIAL, INCIDENTAL OR CONSEQUENTIAL DAMAGES.

Some states/provinces do not allow limitations on how long an implied warranty lasts, or the exclusion or limitation of special, incidental or consequential damages, so these limitations and exclusions may not apply to you. This warranty gives you specific legal rights. You may also have other rights which vary from state/province to state/province.

Illustrated Parts Breakdown



No.	QTY	PART DESCRIPTION
#1	1	Header
#2	1	Bottom Track/Curb
#3	2	Wall Jamb
#4	1	Guide
#5	1	Outside Framed Door Panel
#6	1	Inside Framed Door Panel
#7	2	Side Rail with Integrated Handles (Inside Door Panel)
#8	2	Side Rail (Outside Door Panel)
#9	2	Bottom Rail
#10	2	Top Rail
#11	4	Roller
#12	4	Wall Jamb Bumper
#13	1	Panel Locator
#14	1	Towel Bar
#15	2	Towel Bar Bracket
#16	1	Panel Glide Strip

No.	QTY	PART DESCRIPTION
#21	6	Screw Anchor
#23	4	#6 x 3/8" Flat Head Screw
#25	2	T-Strap Hold Down
#26	2	#6 x 3/8" Screw
#27	1	#6 x 1/4" FH Screw

In this instruction booklet we will walk you through the installation of your new shower door.

DO NOT REMOVE your old shower door until you check that your new shower door kit is the right size for your shower and that all the proper parts are in the box or hardware bag. NOTE: The Header (#1) and Bottom Track/Curb (#2) are shipped 1" oversized, so you will need to cut each to fit.

Use a level to check that the tub (sill/shower dam) is reasonably level — not more than 1/4" out of level from side to side. If it is out of level more than that, you may want to consider ordering a custom-mitered fill that fits under the Bottom Track/Curb (#2). This will level the Bottom Track/ Curb (#2) correctly. In the absence of leveling the Bottom Track/Curb (#2) with a mitered fill, and depending upon how badly your tub is out of level, the panels may not stay in a closed position. Instead, the panels may roll downhill, causing one of the doors to open.

Make sure that you have all the proper tools required to assemble your new shower door. Use this check list.

- Phillips Head Screwdriver
- Level
- Electric Drill
- 3/32" Drill Bit (for fiberglass stall)
- 3/16" Masonry Drill Bit (for tile stall)
- Pencil
- Hammer
- Fine File
- Miter Box and Hacksaw with 32 Teeth/Inch Blade
- Caulking Gun and one Tube of Clear Silicone
- 1/4" Open End Wrench
- Wire Cutters
- Tape Measure
- Masking Tape
- Safety Glasses

CAUTION: Wear Safety Glasses whenever drilling or cutting. Handle the framed glass Panels carefully. The sharp corners of the Panels can damage tile and floor covering. Tempered glass cannot be cut. Do NOT let the corners of the Door Panels strike the other glass Door Panel or any hard surface, wall or floor.

STEP 1 **Checking Contents of Shower Door Package**

DO NOT use a razor blade to cut open the paper wrapping as you may scratch the contents. In the box or small hardware parts bag you should find the following:

No. Qty. Description

- (#1) 1 Header (approx. 1" oversized)
- (#2) 1 Bottom Track/Curb (approx. 1" oversized)

- (#3) 2 Wall Jambs
- (#4) 1 Guide
- (#5) 1 Outside Framed Door Panel
- (#6) 1 Inside Framed Door Panel with Integrated Handles
- (#11) 4 Roller
- (#12) 4 Wall Jamb Bumper
- (#13) 1 Panel Locator
- (#14) 1 Towel Bar
- (#15) 2 Towel Bar Bracket
- (#16) 1 Panel Glide Strip

- (#17) 4 M4x10mm HWH Screw



- (#19) 6 #8 x 1-1/2" PH SMS Screw



- (#21) 6 Screw Anchor



- (#23) 4 #6x3/8" Flat Head Screw



- (#25) 2 T-Strap Hold Down

- (#26) 2 #6x3/8" PH Screw

- (#27) 1 #6x1/4" FH Screw

NOTE: Views and directions given in these instructions – left, right, front, back, etc. – are from outside the enclosure, facing the shower.

STEP 2 **Removing Existing Shower Doors**

After determining that your newly purchased shower enclosure kit is the correct size, remove the existing shower door and all existing parts of that door assembly. Remove all screw anchors from the wall. Clean silicone sealant or shower caulking and any other contaminants from shower and wall surfaces.

STEP 3 **Installing the Bottom Track/Curb**

NOTE: If your shower has a curve (radius) in the corners at the side walls, be sure to measure from wall to wall *below* the curves.

- A. Using the Tape Measure, measure between right and left walls along the flattest part of the tub sill. **Subtract 1/2-inch** from measurement. Write this dimension down.

- B. Center the Bottom Track/Curb (#2) on the sill/dam. In some installations, you may prefer to position the Bottom Track/Curb (#2) forward or back of center. For example, by moving the Bottom Track/Curb (#2) forward, you will slightly increase the depth within the shower area (See Figure 1).

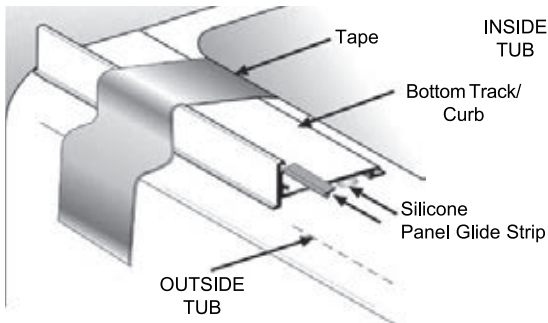


Figure 1

- C. Locate Bottom Track/Curb (#2). Remove the Panel Glide Strip (#16) from the Bottom Track/Curb (#2). See IPB Drawing.
- D. Using the measurement from Step 3A cut the Bottom Track/Curb (#2) to this length. Use the Miter Box and Hacksaw to make a straight cut. Measure twice before making cut.
- E. Using the Wire Cutters, cut the Panel Glide Strip (#16) 3/8" shorter than the Bottom Track/Curb (#2). Re-install the Panel Glide Strip (#16) into the Bottom Track/Curb (#2) and position it (center it) so that the ends of Panel Glide Strip (#16) are evenly spaced at each end of the Bottom Track/Curb (#2).
- F. Slide guide #4 into one end of bottom track/curb #2 and place near middle of track. (See Figure 2)

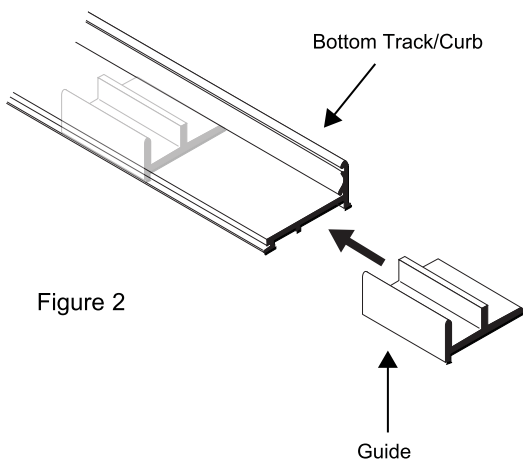


Figure 2

- G. Cut two pieces of Tape 18" long. Next, use the Caulking Gun to apply a thick bead of Silicone sealant (approximately 3/8" in diameter) to the bottom surface of the Bottom Track/Curb (#2) along its entire length. Place the Bottom Track/Curb (#2) on the shower sill, in the position you determined in Step 3B. Use the two strips of Tape to temporarily hold the Bottom Track/Curb (#2) in place. Tape should be 2" or more away from the walls so that the tape will not be in your way when you install the Wall Jamb (#3) (See Figure 2).

NOTE: The tape will help provide a positive seal to the shower sill while holding the Bottom Track/Curb (#2) in place for the following steps.

STEP 4 Installing the Wall Jamb

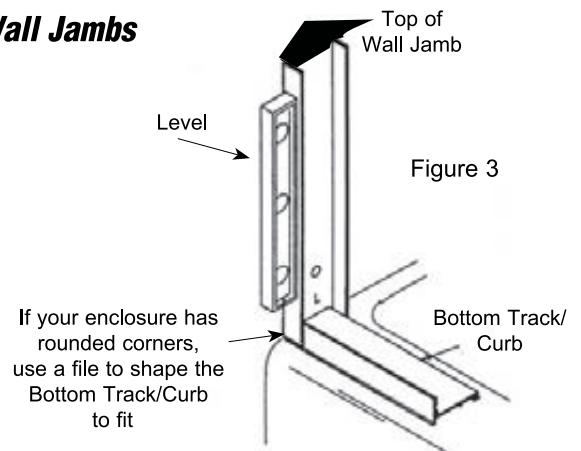


Figure 3

- A. Place one Wall Jamb (#3) against one wall of the enclosure. Be sure the Bottom Track/Curb (#2) rests **INSIDE** of the Wall Jamb. If needed, trim the Bottom Track/Curb further to fit inside the Wall Jamb. Use a level against each Wall Jamb to align vertically. Use a pencil to mark the position of each of the three pre-drilled holes in the Wall Jamb onto the wall of the enclosure or tile. Set the Wall Jamb aside for the moment. (See Figure 3)
- B. Using either a 3/32" Drill Bit (for a fiberglass enclosure) or a 3/16" Masonry Drill Bit (for tile) drill three holes where you made the wall marks. If installing in a tiled enclosure, gently tap a ScrewAnchor (#21) into each hole. DO NOT use the Screw Anchors (#21) for a fiber-glass enclosure. Larger anchors for wall enclosures must be used and are purchase seperately.
- C. Place the Wall Jamb outside the Bottom Track/Curb (#2) and against the wall and secure with a single #8 x 1-1/2" PH SMS Screw (#19) and one Wall Jamb Bumper (#12) in the TOP hole only, at this time.
- D. Repeat Steps 4A through 4C for the other Wall Jamb.
- E. Remove the Tape after Silicone dries.

- F. Use two #8 x 1-1/2" PH SMS Screws (#19) to secure the middle of the Wall Jamb (#3).
- G. Use two #8 x 1-1/2" PH SMS Screws (#19) to secure the Wall Jamb Bumpers (#12) in the bottom hole of the left and right Wall Jambs (#3) to completely secure the Wall Jambs.

STEP 5: Installing the Panel Locator

- A. Attach Panel Locator (#13) to the inside edge of the Wall Jamb (#3) on the inside framed door panel (#6), on the shower head side of the enclosure.

STEP 6 Installing the Header

- A. Using a tape measure, measure the distance between the left and right wall at the top (Remember, the width at the bottom of the enclosure may *not* be the same as the width of the top of the enclosure because walls may not be plumb and square).
- B. Locate the Header (#1). Using the Miter Box and Hacksaw, cut the Header (#1) to the length you just measured in A above. Remember, check your measurement before cutting.
- C. Place the Header (#1) onto the top ends of the Wall Jambs. Once the Header is in place, place a Header T-strap Retainer (#25) into the Header as shown in Figure 4.
- D. Place the Header (#1) onto the top ends of the Wall Jambs. Once the Header is in place, place a Header T-strap Retainer (#25) into the Header as shown in Figure 4.

Mark the T-strap hole onto the side jamb and remove T-strap. Drill a 3/32" hole into the side jamb where marked. Install T-strap with #6 X 3/8-inch screw. Repeat for other side.

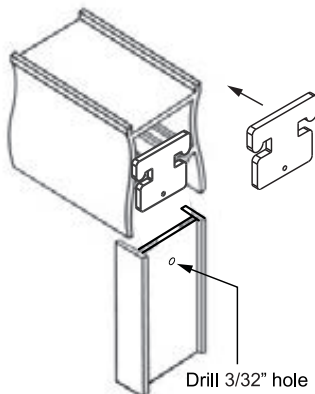


Figure 4

STEP 7 Installing the Guide

- A. Make sure that the surface of the Bottom Track/Curb (#2) is entirely clean of oil, dust, debris or other contaminants.
- B. With a Tape Measure, measure from Wall Jamb (#3) to Wall Jamb (#3) and, with a Pencil, mark the center point on the inside edge of the Bottom Track/Curb (#2) or lightly on the shower sill or tile where it will be visible. Remember, you will want to be able to see the Pencil mark. Position so that you will know where to center the Guide (#4). (See Figure 5)

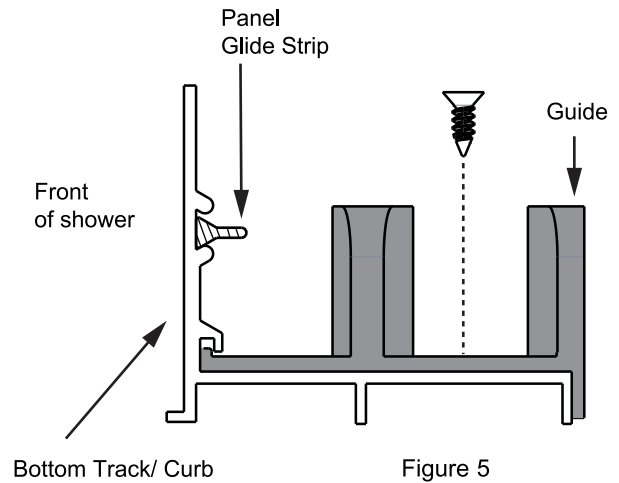


Figure 5

- C. Center the Guide (#4) on the pencil mark you made in step B. (See Figure 6).

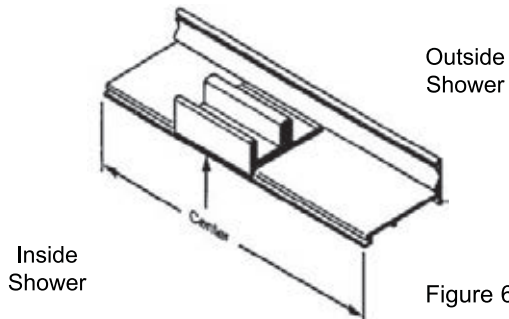


Figure 6

- D. Slide the Guide to one side of the Bottom Track and drill a 3/32" hole where the pencil mark was made. After drilling, slide the Guide back into middle and align the drilled hole with the Guide hole. Carefully insert a #6 x1/4" FH (#27) screw using a phillips screwdriver and tighten. Do not overtighten as this can cause the screw to strip out of the hole.

STEP 8 **Installing the Rollers on the Panels**

IMPORTANT: Enclosures with Obscure or Specialty glass are installed with the textured surface of the framed Panels facing out, or to the *front*. The *smooth* surface will face *into* the shower. This orientation gives you the front and back of each Panel. Now, locate the Outside Framed Door Panel (#5). Locate four M4x10mm HWH Screws (#17).

- A. Use two M4x10mm HWH Screws (#17) to attach two Rollers (#11) to the top of the Outside Framed Door Panel (#5) with the Rollers (#11) on the front surface of the Top Rail (#10). The metal parts (the Nut side) should be against the frame, as shown in Figure 7.

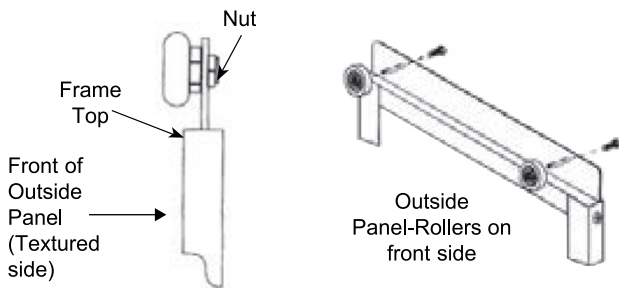


Figure 7

- B. Use two more M4x10mm HWH Screws (#17) to attach the remaining Rollers (#11) to the back surface of the Top Rail (#10) of the Inside Framed Door Panel (#6). The metal parts (the Nut side) should be against the frame, as shown in Figure 8.

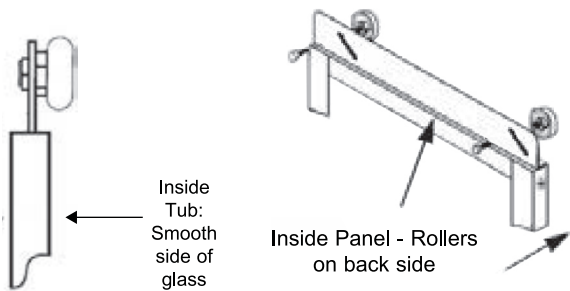


Figure 8

STEP 9 **Installing the Door Panels**

Installing the Door Panels may be easier if you have someone assisting you. **Always wear gloves and safety goggles whenever handling glass.**

- A. Locate the Inside Framed Door Panel with Integrated Handles (#6). When standing inside the shower, the curved Integrated Handles will be facing you.
- B. Hold the Inside Framed Door Panel (#6) so that the rollers are facing away from you. Standing outside and facing the shower enclosure, lift the Inside Framed Door Panel (#6) up and over the Bottom Track/Curb (#2) and then lift the Top Rail (#10) up into the Header (#1) (See Figure 9).

- C. Gently set (lower) the Inside Framed Door Panel (#6) into position with the wheels seated in the rear track of the Header (#1). Make sure that the Panel rolls freely.

First Panel Installation (Inside Door)

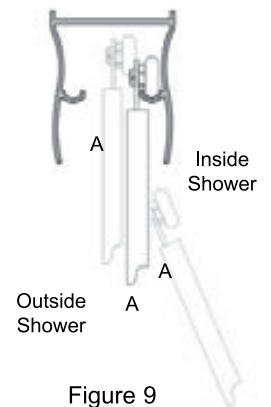


Figure 9

- D. If someone is assisting you, have them stand in the shower and pull the bottom edge of the Inside Framed Door Panel (#6) towards them, to give you about 2" of clearance for the next step. If you are installing the doors by yourself, you will need to push the Inside Framed Door Panel (#6) out of your way as we describe here. Hold the Outside Framed Door Panel (#5) so that the Rollers (#11) face *towards* you. Lift the Outside Framed Door Panel (#5) and use the index finger of both hands to carefully push the Inside Framed Door Panel (#6) back and out of the way as you lift the Outside Framed Door Panel (#5) up and over the Bottom Track/Curb (#2). Insert the Top Rail (#10) up and into the Header (#1). Set the wheels into the front track of the Header (#1) (See Figure 10).

Second Panel
Installation
(Outside Door)



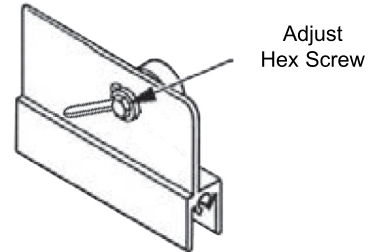
Figure 10

- E. VERY CAREFULLY set the Outside Framed Door Panel (#5) into the track and make sure that it rolls freely. Carefully ease the Inside Framed Door Panel (#6) back into place.
- F. Slide both Panels to one side to prepare for the next step.

STEP 10 Adjusting and Aligning the Door Panels

- A. To ensure proper installation, the Door Panels (#5, #6) must be correctly aligned. Slide the Inside Framed Door Panel (#6) toward the wall with the shower head. Slide the Outside Framed Door Panel (#5) to the opposite wall. If the edges of the Door Panels (#5, #6) do not align flush with the Wall Jambs (#3), the Door Panels (#5, #6) need to be adjusted.

- B. One or more of the Rollers (#11) may need to be adjusted to properly align the Door Panels (#5, #6). Using a 1/4" Open End Wrench, loosen the M4x10mm HWH Screw (#17) securing the Roller (#11) and gently slide the Roller (#11) in either direction until the Door Panels (#5, #6) hang flush with the Wall Jambs (#3). Tighten the screw.



STEP 11 Installing the Towel Bar

- A. Locate the Towel Bar (#14), two Towel Bar Brackets (#15), and four #6 x 3/8" Flat Head Screws.
- B. Place one end of the towel bar onto the towel bar bracket and place onto the door as illustrated in Figure 11. Install the brackets by inserting the screws from behind the door frame as shown. Repeat for the other towel bar end.

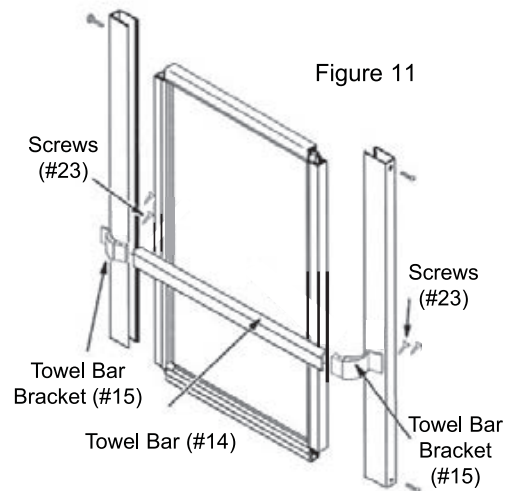


Figure 11

STEP 12 Silicone Sealing the Enclosure

Use clear Silicone Sealant to seal both ends of the Bottom Track/Curb (#2) where it meets the Wall Jambs (#3), along both the interior and exterior edges (horizontal and vertical) and along the interior edges where the Wall Jambs (#3) and Bottom Track/Curb (#2) meet with the tile or fiberglass surfaces. Please follow manufacturer's instructions for cure time and clean-up instructions.