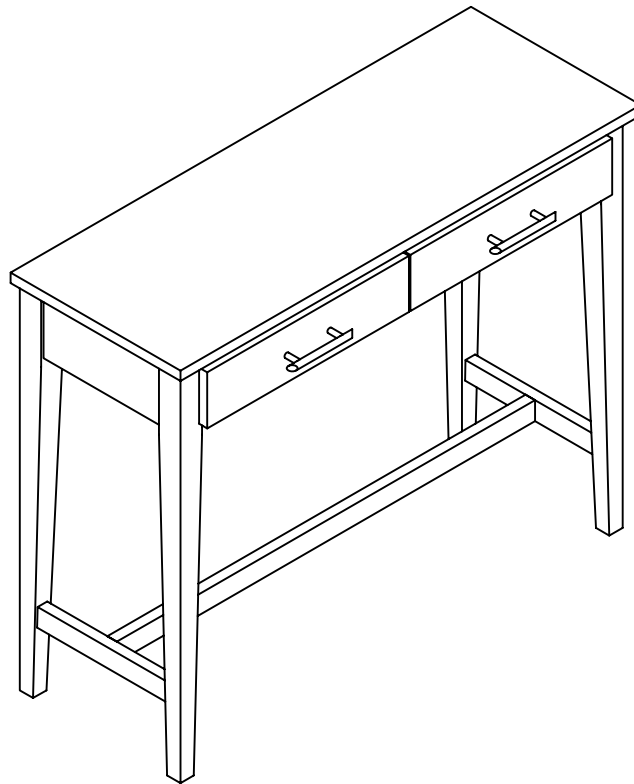


# USE AND CARE GUIDE

---

## 2 DRAWERS CONSOLE TABLE



Questions, problems, missing parts? Before returning to the store,  
call Home Decorators Collection Customer Service.  
8 a.m. – 7 p.m., EST, Monday – Friday, 9 a.m. – 6 p.m., EST, Saturday

**1-800-998-7021**

**[HOMEDEPOT.COM/HOMEDECORATORS](http://HOMEDEPOT.COM/HOMEDECORATORS)**

---

### THANK YOU

*We appreciate the trust and confidence you have placed in Home Decorators Collection through the purchase of this 2 drawers console table. We strive to continually create quality products designed to enhance your home. Visit us online to see our full line of products available for your home improvement needs. Thank you for choosing Home Decorators Collection!*

# Table of Contents

Table of Contents.....	2	Hardware Included.....	3
Safety Information.....	2	Pre-assembly (continued).....	4
Warranty.....	2	Package Contents.....	4
3 Year Warranty.....	2	Assembly.....	5
What is Covered.....	2		
What is Not Covered.....	2		
Pre-assembly.....	3		
Planning Assembly.....	3		
Tools Required.....	3		

# Safety Information



## DANGER

- Keep small parts away from children during assembly.
- Read and follow instructions carefully.



## WARNING

- Read these instructions carefully and keep in a safe place.
- TO GUARANTEE THE SAFE USE OF THIS PRODUCT, FOLLOW THE WARNINGS, GUIDELINES AND RECOMMENDATIONS IN THIS MANUAL.
- Adult assembly required.
- Small parts may present choking hazard prior to assembly.
- Do not place heavy objects on the glass top.
- Some assembly may involve attaching glass or mirrors.
- Be very careful handling the glass or mirrors, as severe injury may result if the glass or mirror breaks.
- Never handle large pieces of glass or mirrors by yourself.



## CAUTION

- Do not use power tools to assemble your furniture. Power tools may strip or damage parts/product.
- Do not overtighten connectors (screws, bolts, etc.). Overtightening can lead to product damage.
- Be sure to check all packing materials carefully for small parts that may have come loose inside the carton during shipment. If parts are missing, contact THE HOME DEPOT to obtain any missing parts.
- DO NOT USE SUBSTITUTE PARTS.
- This product should only be used on a flat, level surface.

# Warranty

## 3 YEAR WARRANTY

### WHAT IS COVERED

We guarantee this product to be free of manufacturing defects to the original purchaser for three years.

### WHAT IS NOT COVERED

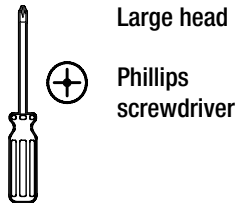
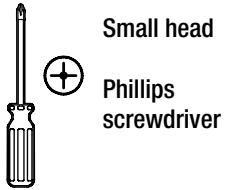
This warranty does not cover commercial use, acts of nature, and abusive use.

# Pre-assembly

## PLANNING ASSEMBLY

Keep children and pets away from build area. Make sure your area is large enough to unpack, sort and assemble the unit.

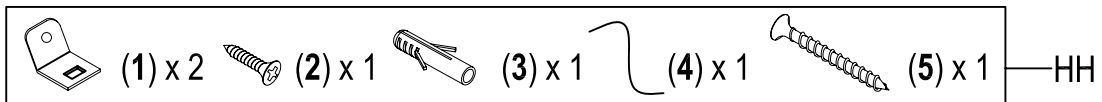
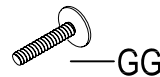
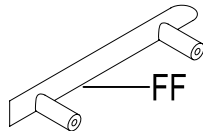
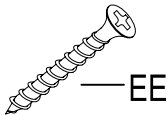
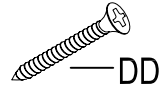
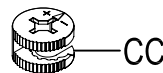
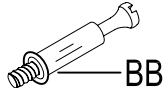
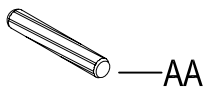
## TOOLS REQUIRED



## HARDWARE INCLUDED



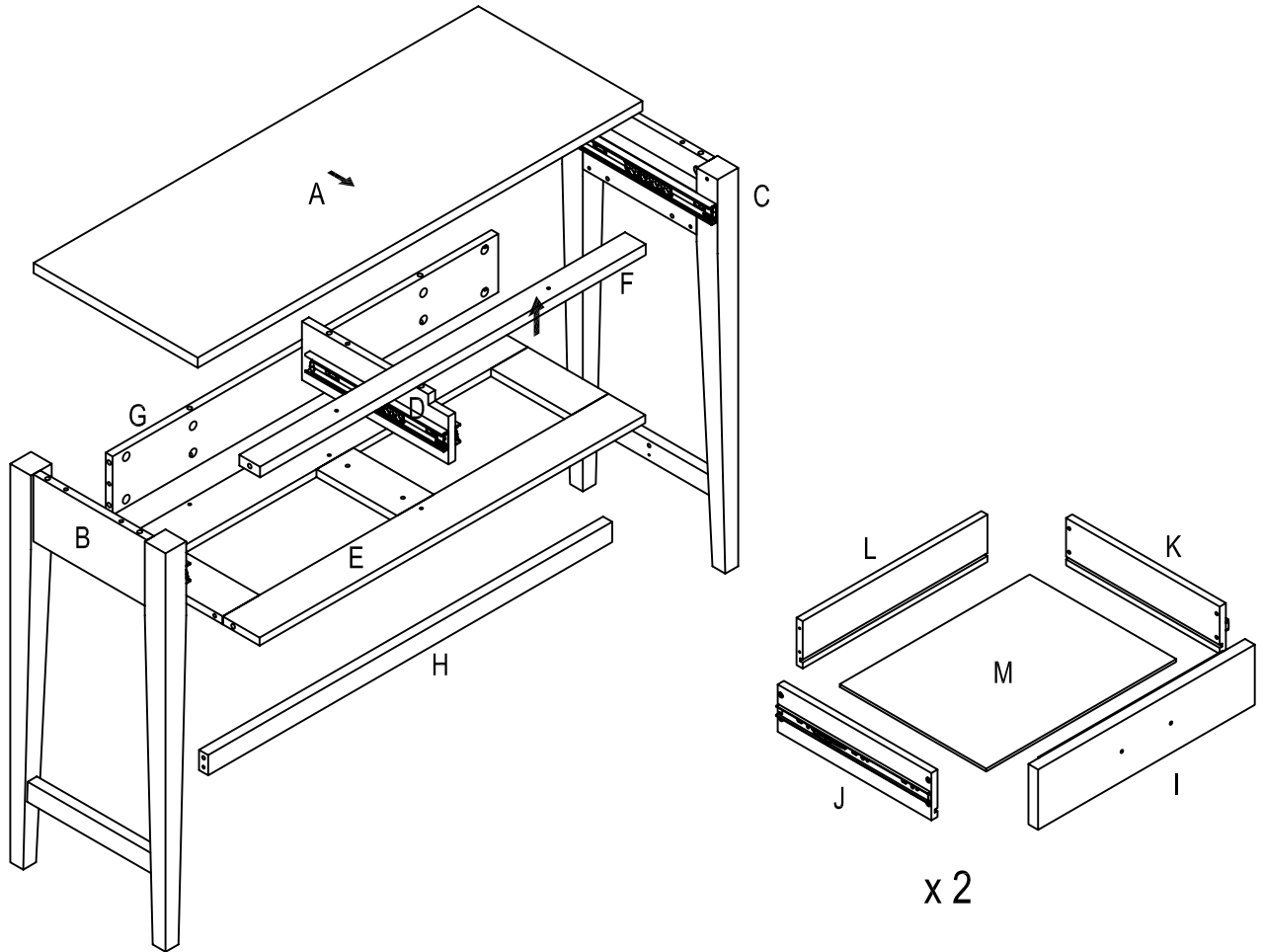
**NOTE:** Hardware not shown to actual size.



Part	Description	Quantity
AA	Wood dowel	16
BB	Cam lock bolt	20
CC	Cam lock	20
DD	1 in. Flat head screw	20
EE	1-1/2 in. Flat head screw	2
FF	Handle	2
GG	Handle bolt	4
HH	Anti-tipping hardware package	1

# Pre-assembly (continued)

## PACKAGE CONTENTS



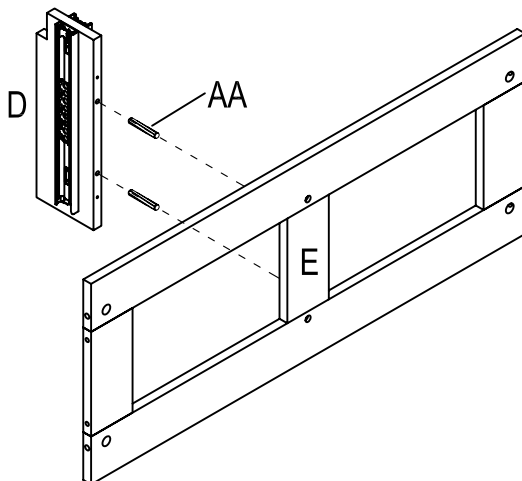
Part	Description	Quantity
A	Top panel	1
B	Left side frame	1
C	Right side frame	1
D	Partition	1
E	Fixed panel	1
F	Top crossbar	1
G	Back panel	1

Part	Description	Quantity
H	Bottom crossbar	1
I	Drawer front panel	2
J	Drawer left side panel	2
K	Drawer right side panel	2
L	Drawer back panel	2
M	Drawer bottom panel	2

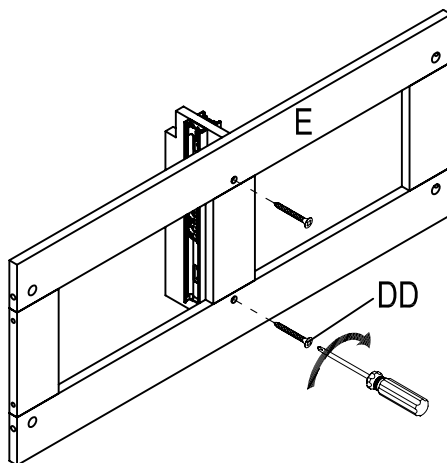
# Assembly

## 1 Attaching the partition to fixed panel

- a) Join partition (D) to panel (E) with dowel (AA).



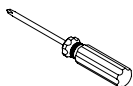
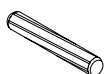
- b) Tighten panel (E) with screw (DD).



Wood dowel      1 in. Flat head screw      Small head

(AA) x2

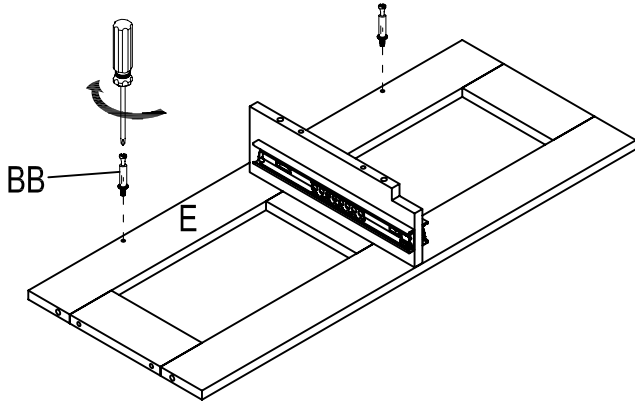
(DD) x 2



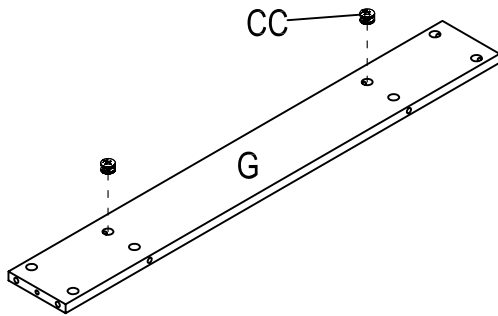
# Assembly (continued)

## 2 Attaching the back panel

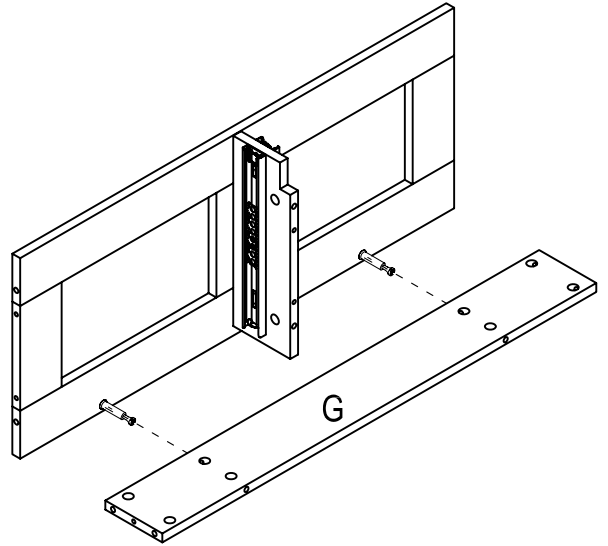
- a) Install bolt (BB) into panel (E).



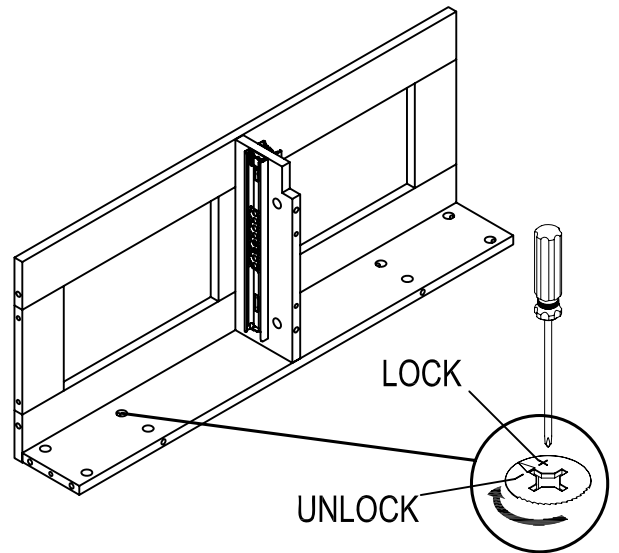
- b) Insert lock (CC) into panel (G).



- c) Join panel (G) to the assembled body with bolt (BB).



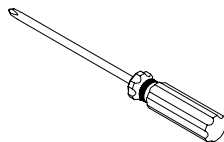
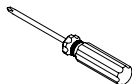
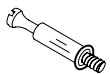
- d) Tighten bolt (BB) with lock (CC) in the pre-drilled holes.



Cam lock bolt    Cam lock    Small head    Large head

(BB) x 2

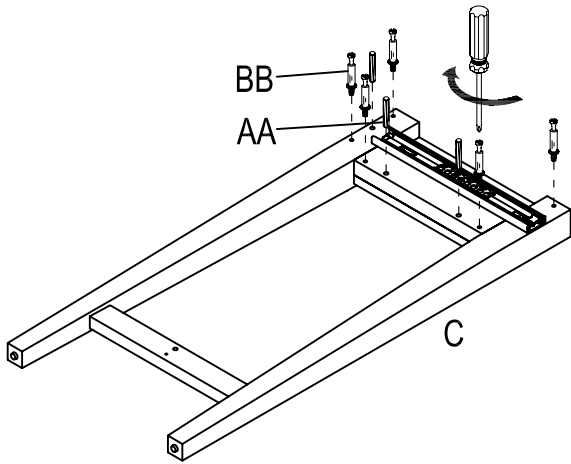
(CC) x 2



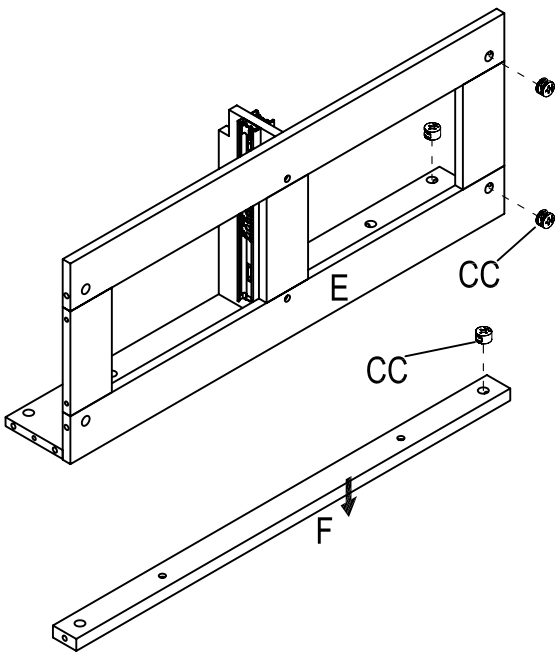
# Assembly (continued)

## 3 Attaching the right side frame and top crossbar

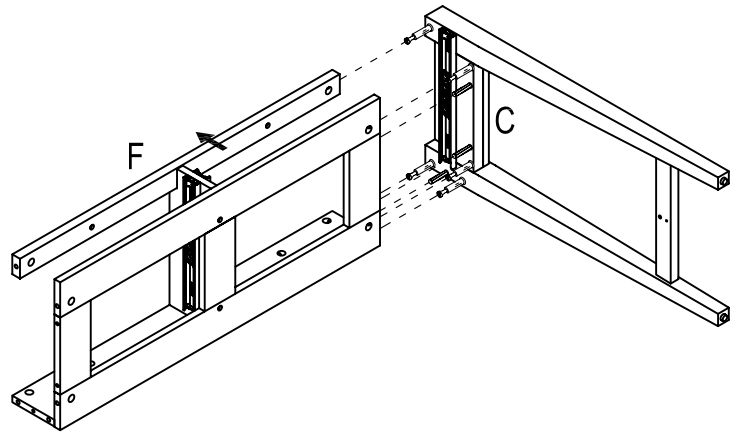
- a) Install dowel (AA) and bolt (BB) into frame (C).



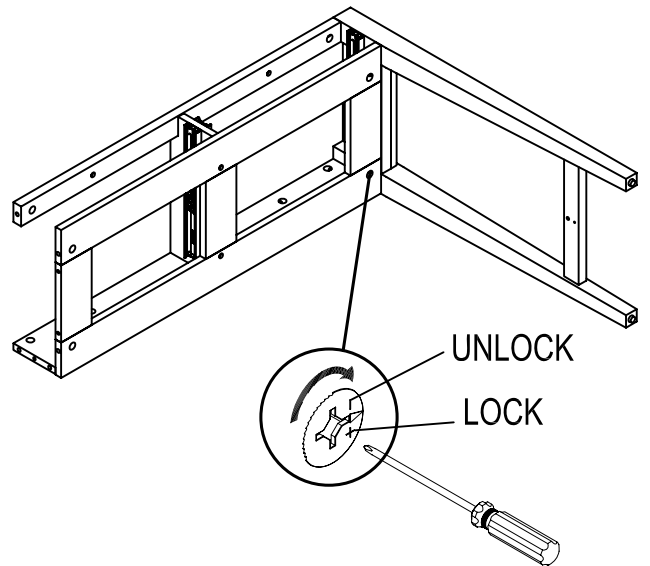
- b) Insert lock (CC) into panel (E) and bar (F).



- c) Join frame (C) and bar (F) to the assembled body with dowel (AA).



- d) Tighten bolt (BB) with lock (CC) in the pre-drilled holes.

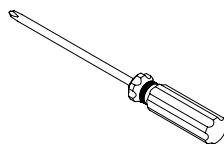
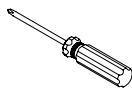
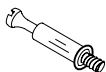
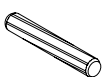


Wood dowel    Cam lock bolt    Cam lock    Small head    Large head

(AA) x 3

(BB) x 5

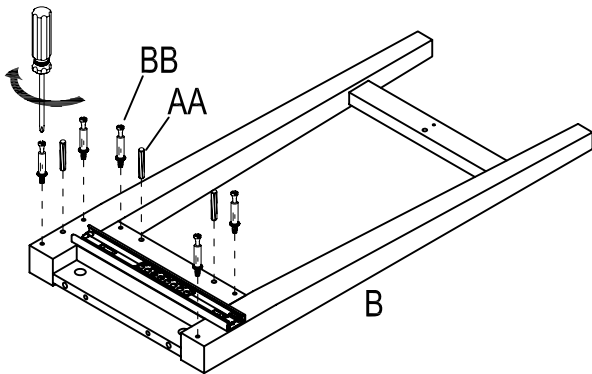
(CC) x 5



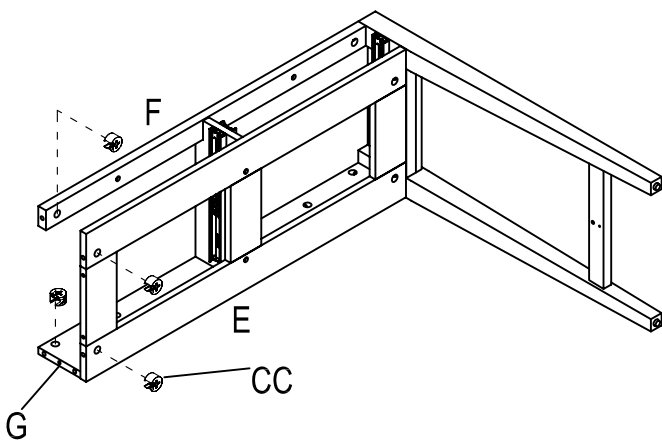
# Assembly (continued)

## 4 Attaching the left side frame and bottom crossbar

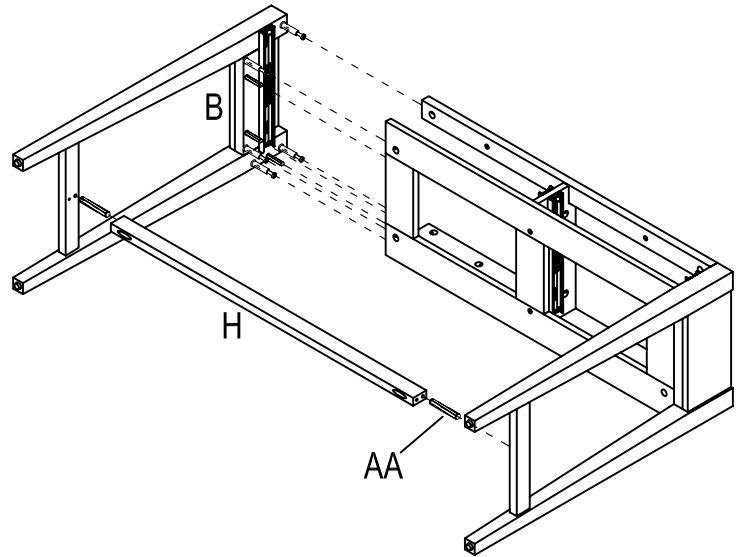
- a) Install dowel (AA) and bolt (BB) into frame (B).



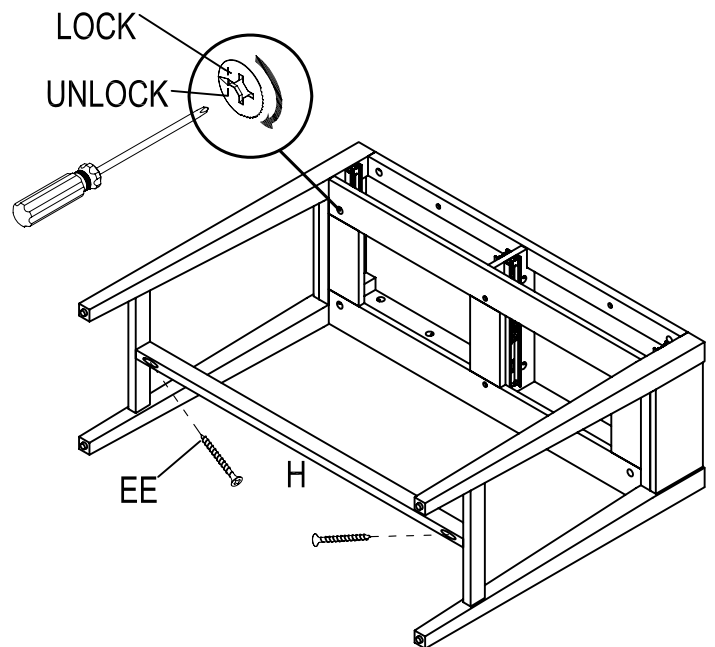
- b) Insert lock (CC) into panels (E) and (G), bar (F).



- c) Join frame (B) and bar (H) to the assembled body with dowel (AA).



- d) Tighten bolt (BB) with lock (CC) in the pre-drilled holes. Tighten bar (H) with screw (EE).



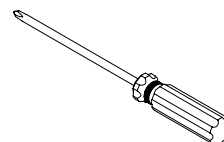
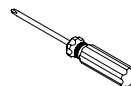
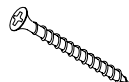
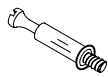
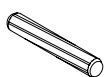
Wood dowel    Cam lock bolt    Cam lock    1-1/2 in. Flat head    Small head    Large head

(AA) x 5

(BB) x 5

(CC) x 5

screw  
(EE) x 2

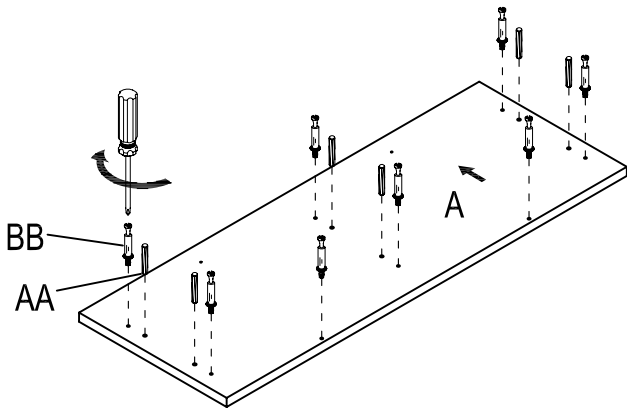




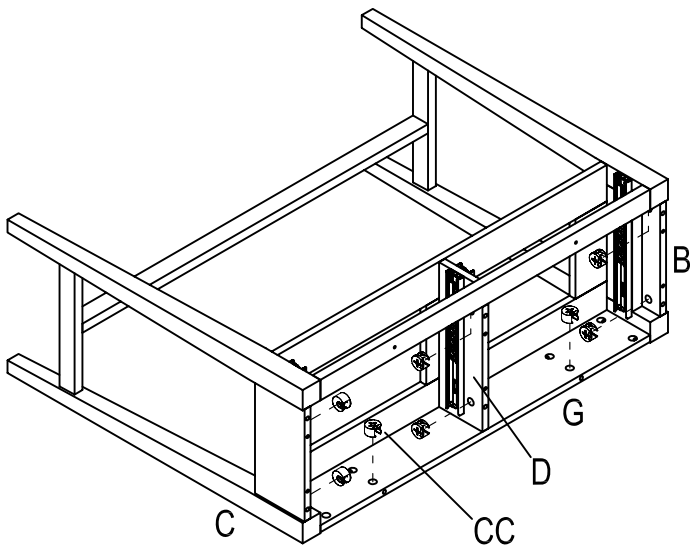
# Assembly (continued)

## 5 Attaching the top panel

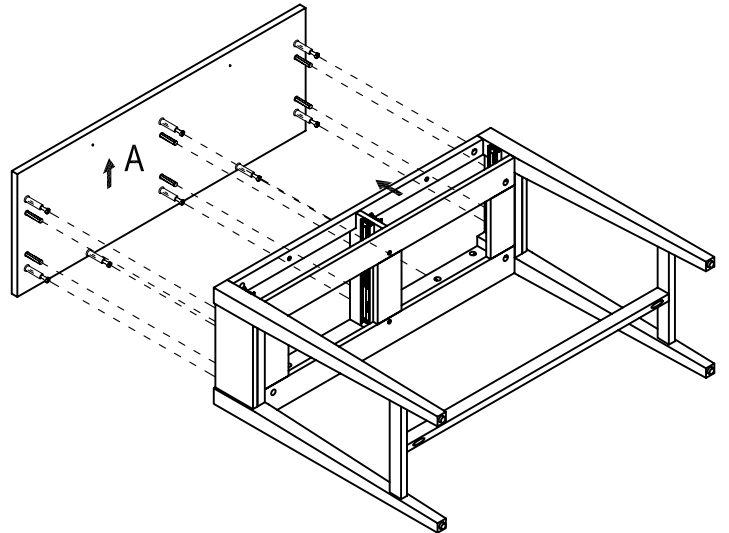
- a) Install dowel (AA) and bolt (BB) into panel (A).



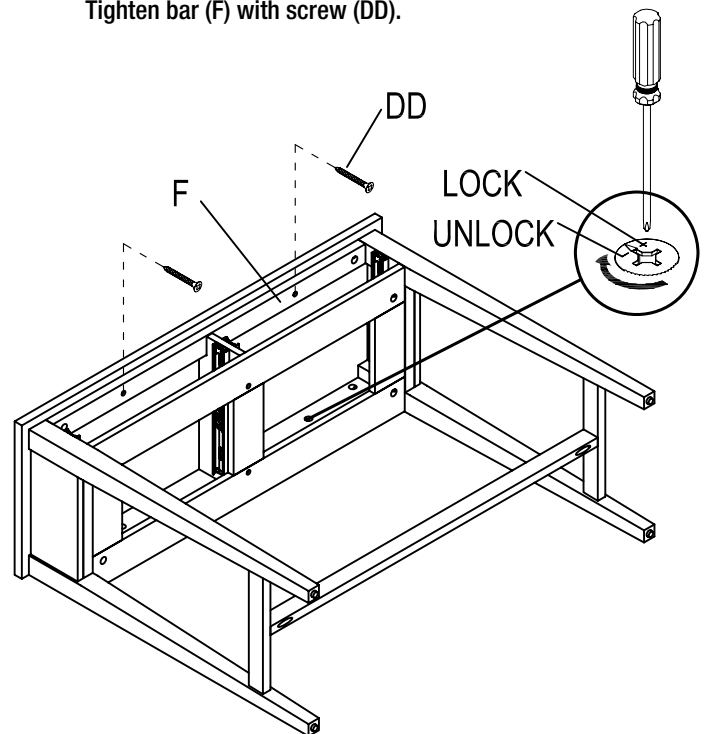
- b) Insert lock (CC) into frames (B) and (C), panel (G) and partition (D).



- c) Join panel (A) to the assembled body with dowel (AA).

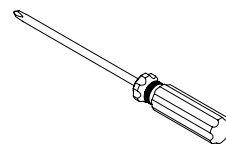
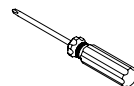
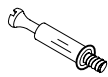
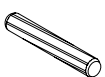


- d) Tighten bolt (BB) with lock (CC) in the pre-drilled holes. Tighten bar (F) with screw (DD).



Wood dowel    Cam lock bolt    Cam lock    1 in. Flat head screw    Small head    Large head

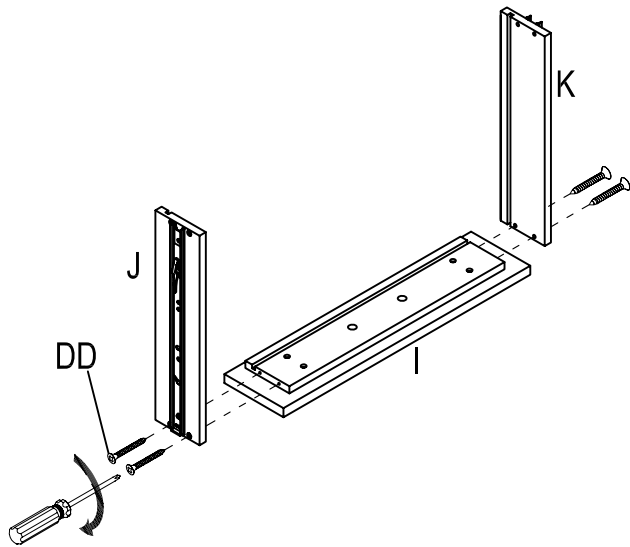
(AA) x 6    (BB) x 8    (CC) x 8    (DD) x 2



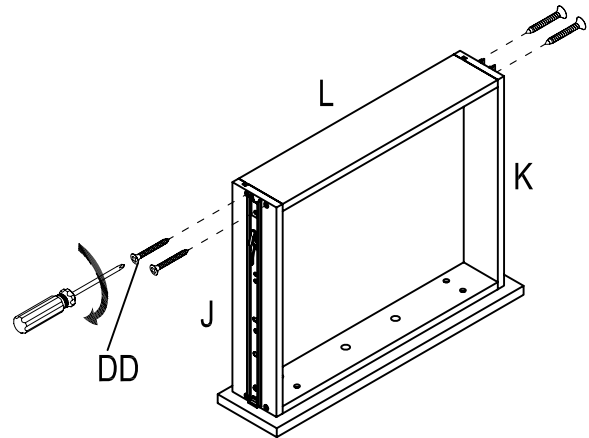
# Assembly (continued)

## 6 Assembling the drawer

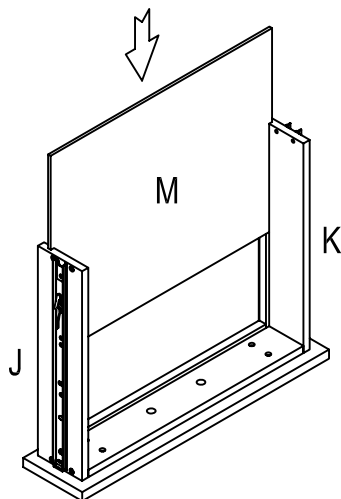
- a) Tighten panels (J) and (K) to panel (I) with screw (DD).



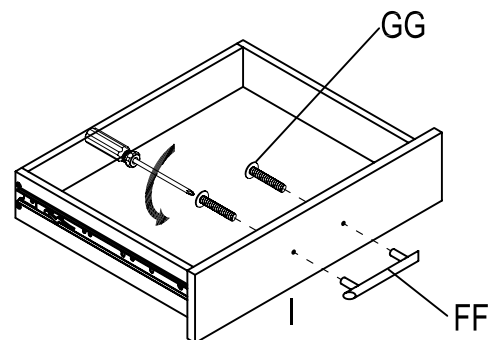
- c) Tighten panel (L) to the assembled body with screw (DD).



- b) Slide panel (M) into the grooves on panels (J) and (K).



- d) Tighten handle (FF) to panel (I) with bolt (GG).



1 in. Flat head screw

Handle

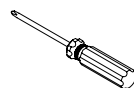
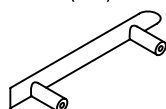
Handle bolt

Small head

(DD) x 16

(FF) x 2

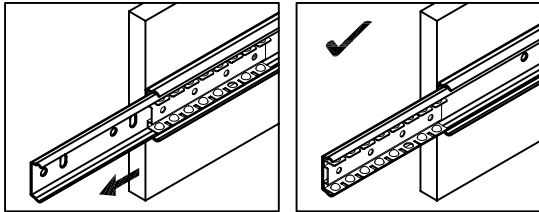
(GG) x 4



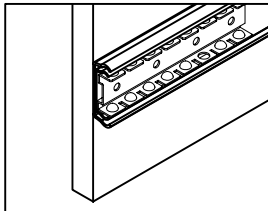
## Assembly (continued)

### 7 Inserting the drawer

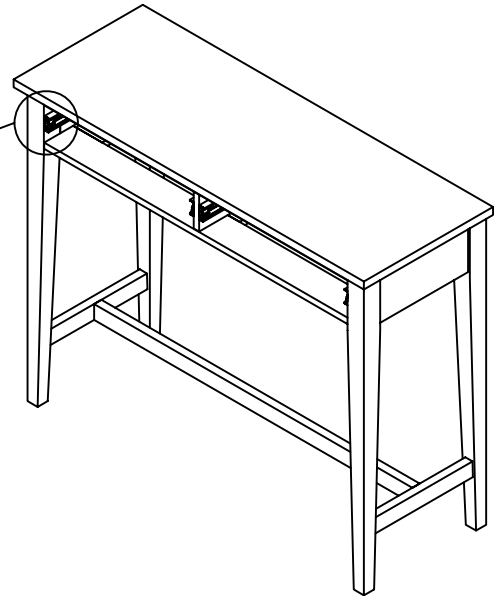
- Insert the drawer into the assembled body as shown.



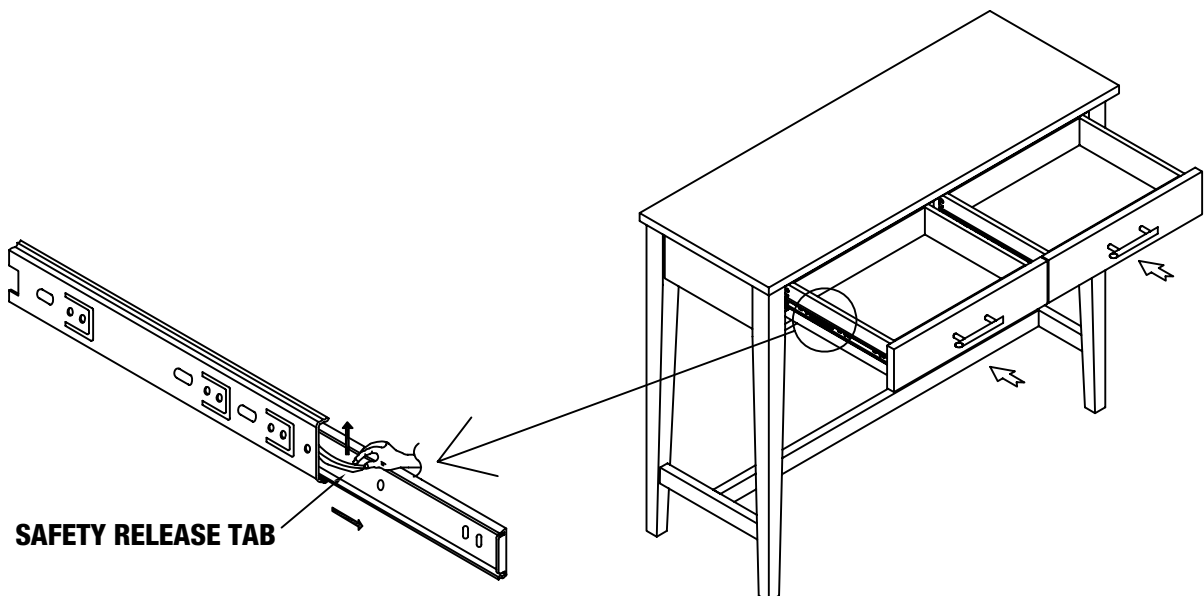
1. Pull out slide. Slide bearings forward.



2. Push slide back inside.  
Repeat for every slide!



**NOTE:** Make sure the slide piece is at the front end of the glide when installing the drawer into the body.

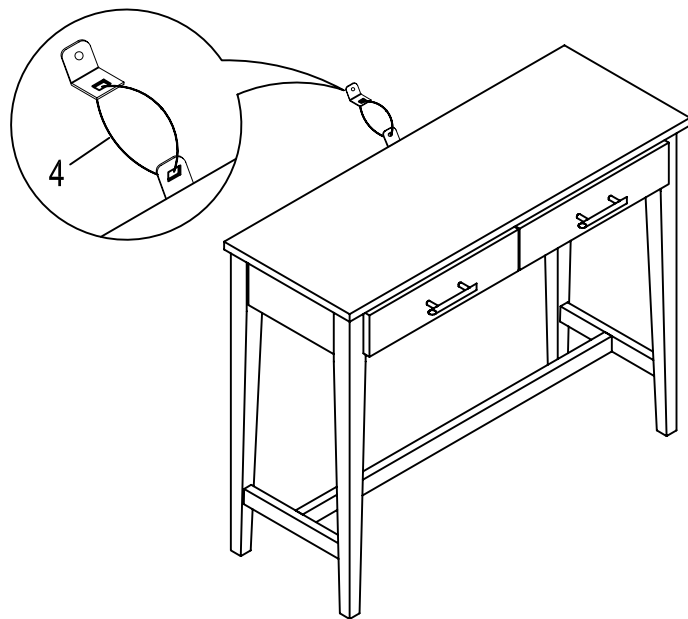
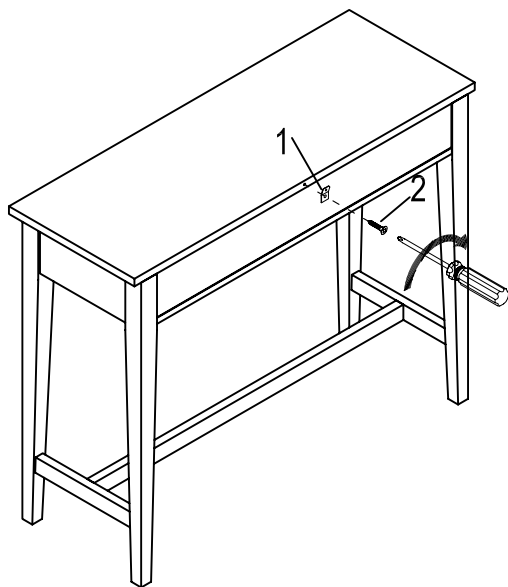
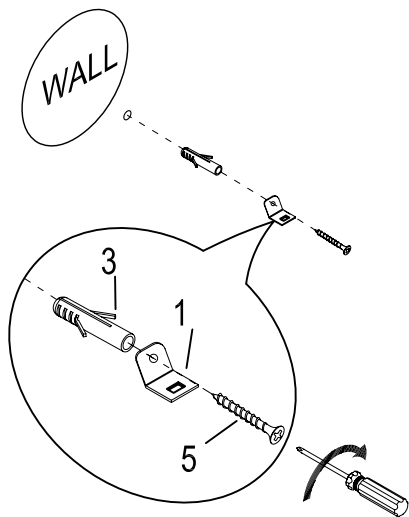






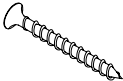
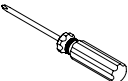
**NOTE:** When removing the drawer, tip-up the safety release tab to remove the drawer from the body.

# Assembly (continued)

## 8 Finalizing the assembly

- Install the anti-tipping hardware as shown.



Rectangle metal plate (1) x 2	1/2 in. Flat head screw (2) x 1	Plastic anchor (3) x 1	Plastic band (4) x 1	1-1/2 in. Flat head screw (5) x 1	Small head
					— HH 

HOME  
DECORATORS  
COLLECTION®

Questions, problems, missing parts?  
Before returning to the store, call Home Decorators Collection Customer Service.  
8 a.m. – 7 p.m., EST, Monday – Friday, 9 a.m. – 6 p.m., EST, Saturday

**1-800-998-7021**

**[HOMEDEPOT.COM/HOMEDECORATORS](https://www.homedepot.com/homedecorators)**

Retain this manual for future use.