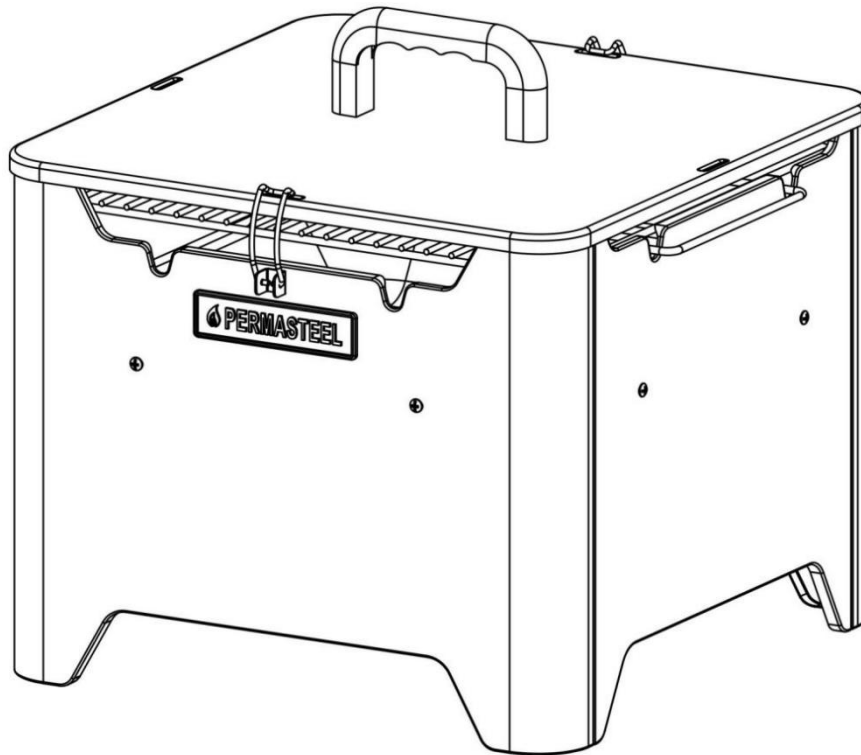


BA1414C-2 Manual



User Notes

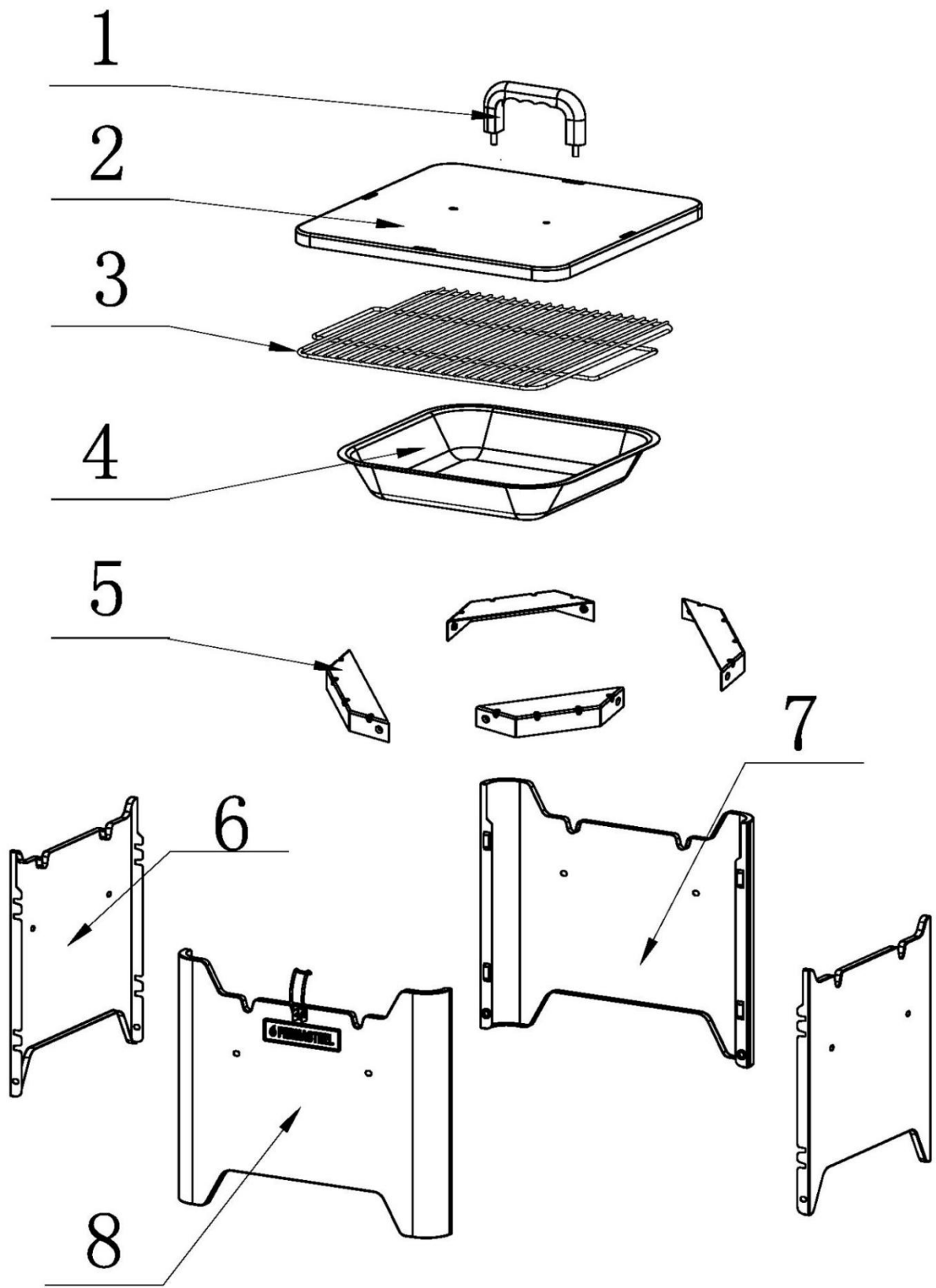
- Please read the manual carefully before using the product
- Keep this user manual for future reference
- Outdoor use only
- Easy to touch parts of the use is hot, please make sure to keep children away
- Do not move the product while in use

Important Note

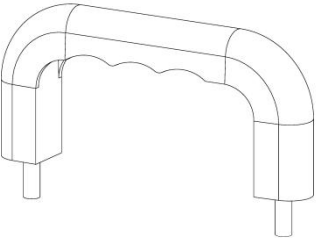
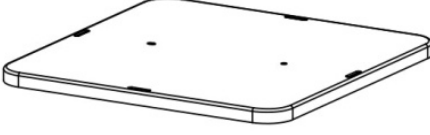
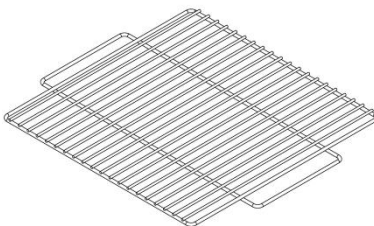
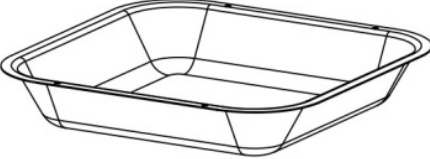
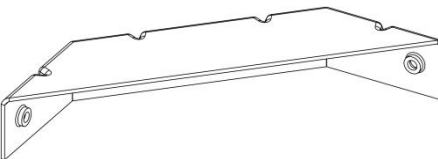
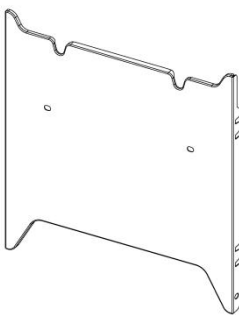
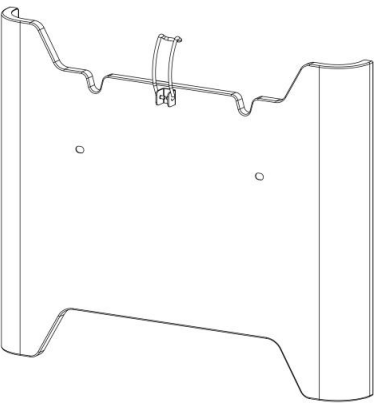
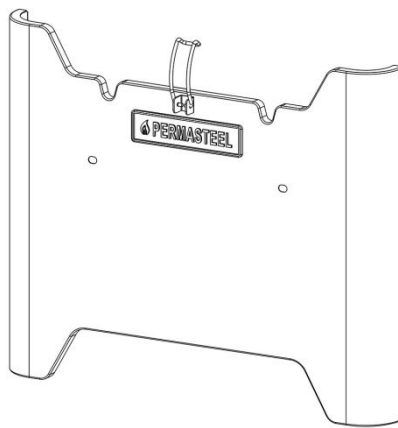
- Please read this manual carefully and confirm that the grill has been properly installed and assembled. Failure to use this manual may result in serious personal injury and/or property damage.
- When assembling the oven, be careful not to scratch your hands by the metal cutting edge.
- If you have any questions about assembly or operation, please consult your dealer.
- Use only on hard, horizontal, non-flammable, stable surfaces (concrete, ground, etc.) that can support weight. Do not use on wood or other surfaces that may burn.
- A proper distance of 10 feet shall be maintained between the oven in use and flammable materials such as shrubs, trees, wood decks, fences, buildings, etc.

- Do not use gasoline, kerosene, or alcohol to light the charcoal. The use of these or similar products may cause an explosion which may cause serious bodily injury.
- Keep children and pets away from the oven.
- After each use, clean the oven thoroughly after it cools down, and recoat the inside of the oven with oil to prevent rust.
- It is recommended to use 0.8 ~ 1Kg of charcoal at the beginning of each use.

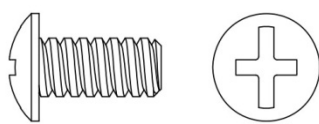
Explosive View




Parts List

1、 Handle	2、 Lid	3、 Cooking Grate
		
1PC	1PC	1PC
4、 Charcoal Pan	5、 Charcoal Bracket	6、 Small Panel
		
1PC	4PCS	2PCS
7、 Black Panel	8、 Front Panel	
		
1PCS	1PC	

Component Card

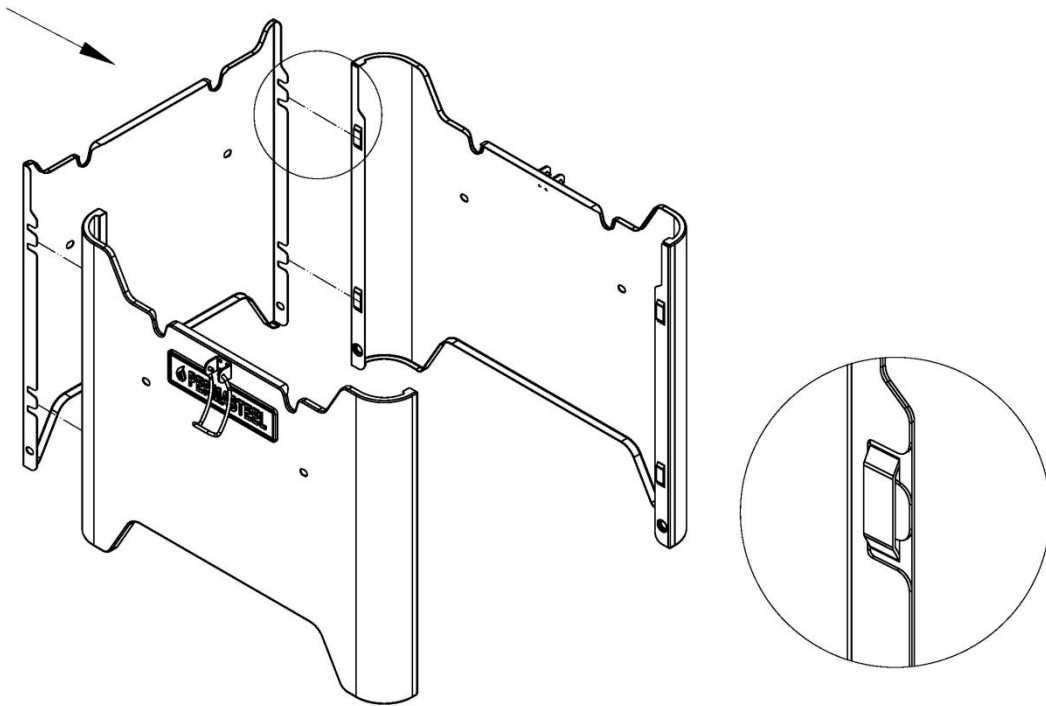
Item No.	Item name	Diagram	Qty
A	M4 Bolt		12

B	M6 Nut		2
---	--------	--	---

Installation Step

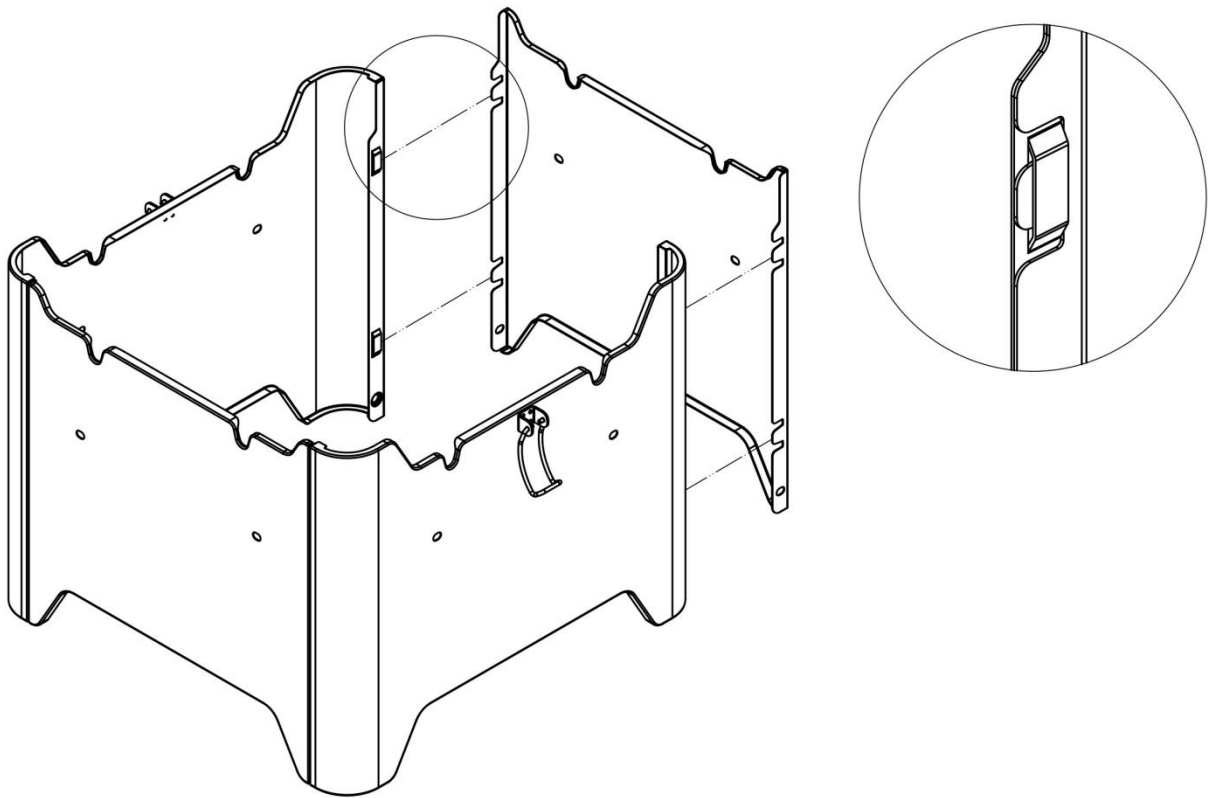
Step 1: Install the grill panel -- part 1

Insert a small panel(Part 6)into the card slot of front panel(Part 8) and back panel(Part 7) and buckle it. Installation method is as shown in the figure below.



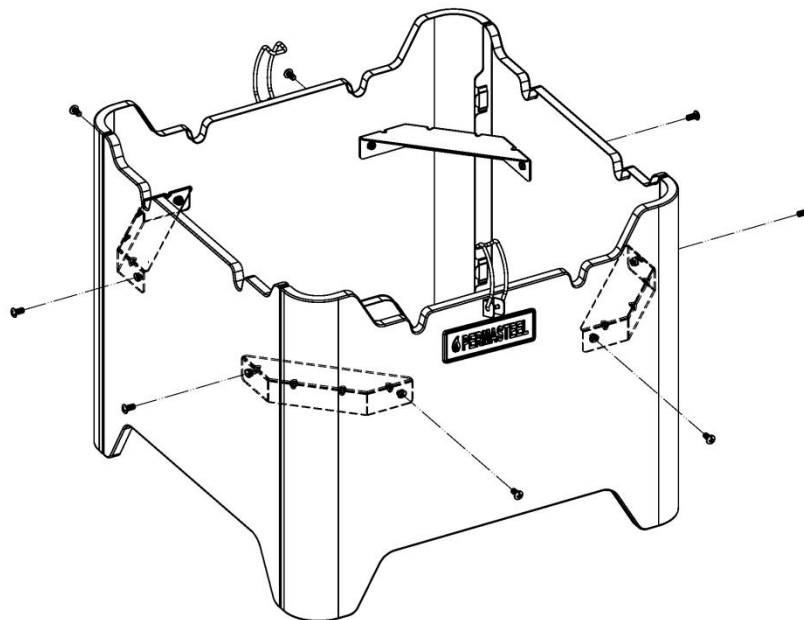
Step 2: Install the grill panel -- part 2

Insert the other small panel(Part 6)into the card slot offront panel(Part 8) and back panel(Part 7) and buckle it. Installation method is as shown in the figure below.



Step 3: Install charcoal pan bracket

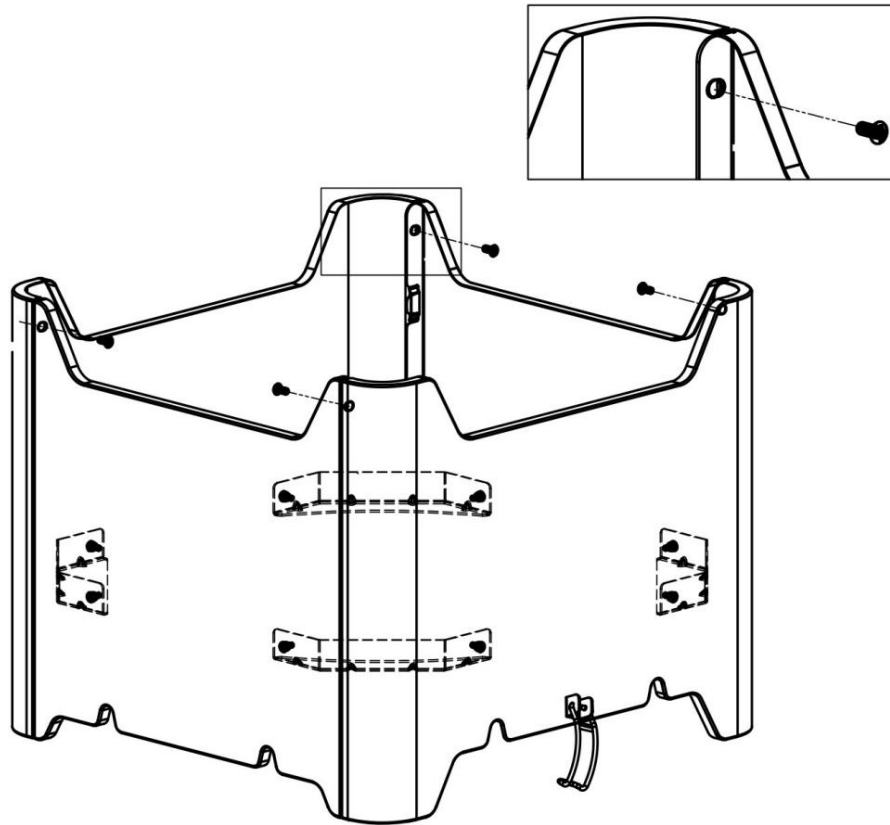
Use M4x10mm bolts(Part A) 8pcs to install the 4pcs charcoal pan bracket(Part 5) in the positions shown in the figure below. The installation method is shown in the figure below.



Step 4: Install bolts

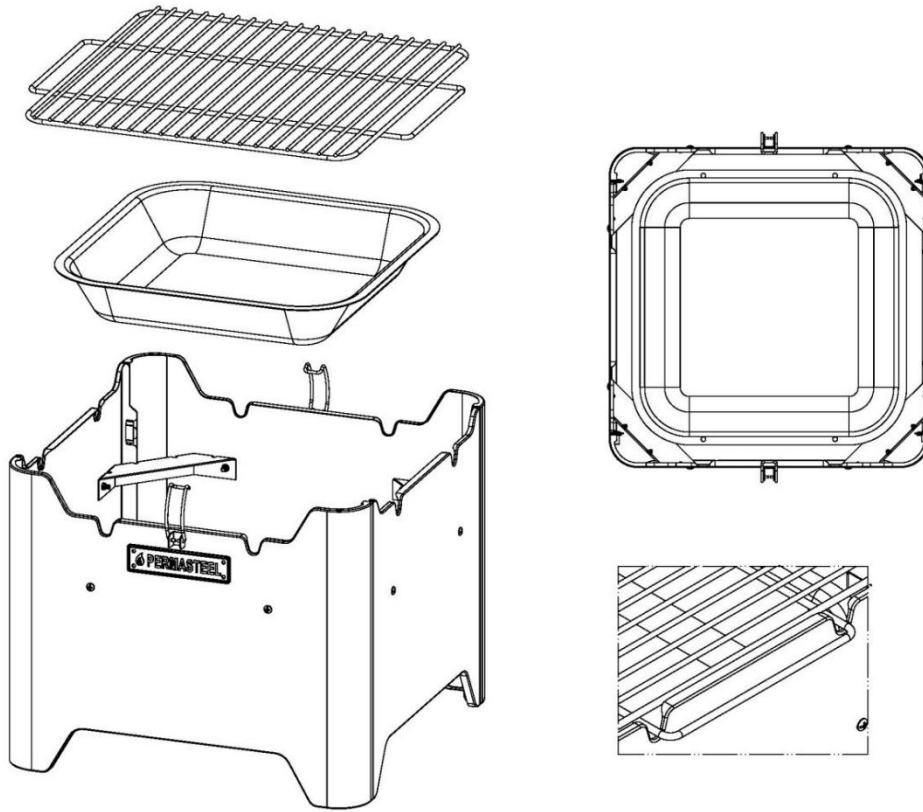
Turn over the grill body, use M4x10mm bolts(Part A) 4pcs screwed with the holes on the top. The

installation method is shown in the figure below.



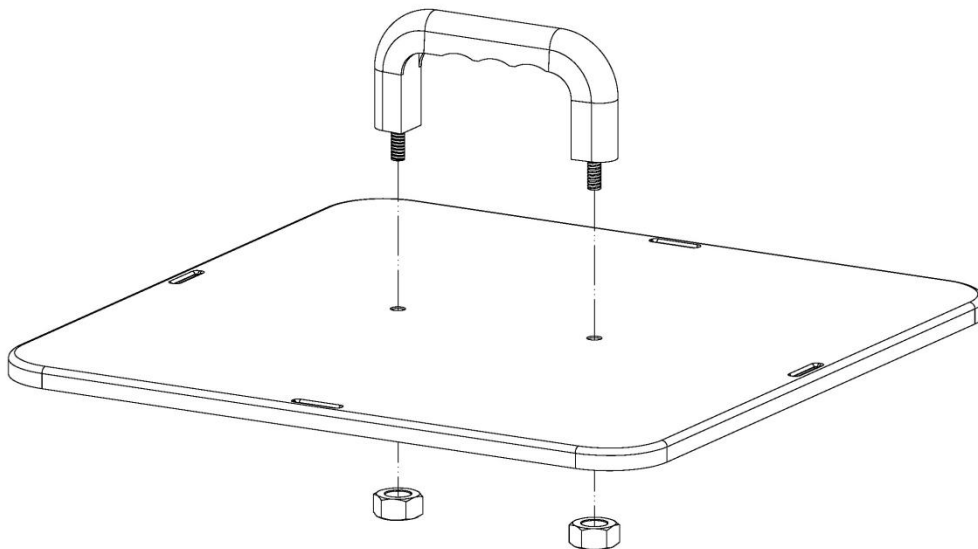
Step 5, Install charcoal pan and cooking grate

Turn over the grill body. Place the charcoal pan(Part 4) on the charcoal pan bracket. And then place the cooking grate(Part 3) handles on grooves of the small panels. The installation method is shown in the figure below.



Step 6: install lid handle

Insert the lid handle into the holes on the lid, screw with 2 pcs M6 nuts. The installation method is shown in the figure below.



Step 7: Install lid

Place the lid on the grill body, lock with the lock. (This feature is for portability and storage the grill.)

The installation method is shown in the figure below.

Tips: 1、 This is an open grill, please remove the lid before grilling. 2. The feature of the lid is for portability and storage the grill.

