

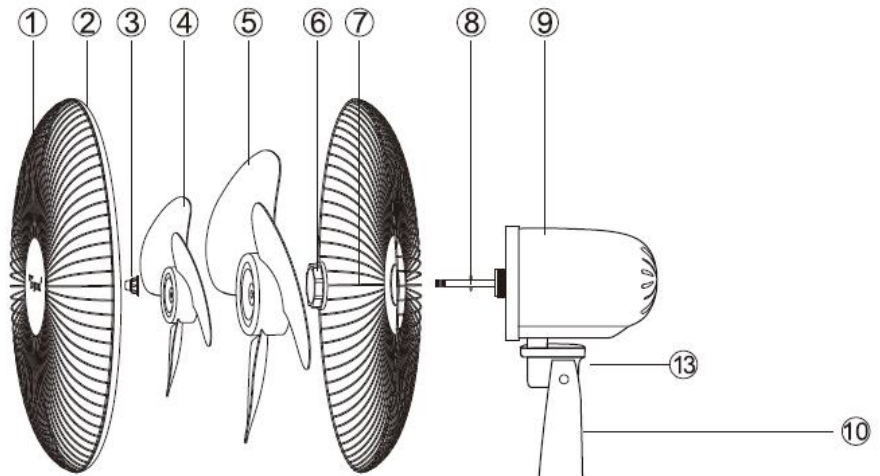
COSTWAY

**16" DOUBLE BLADE OSCILLATION PEDESTAL FAN
MODEL#HW54237**

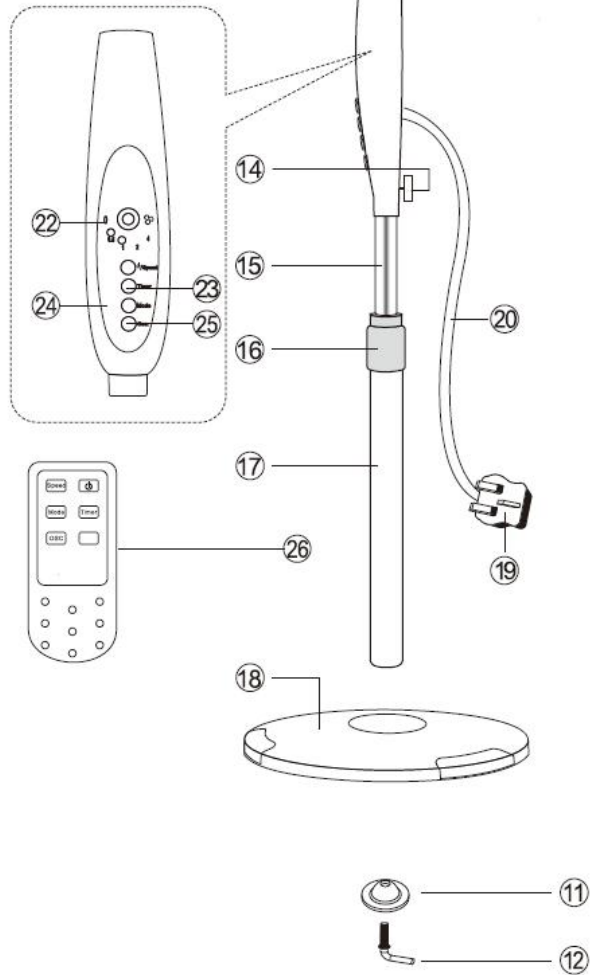


Please read these instructions carefully and keep for future reference.

PACKAGE CONTENTS



Part	Description	Quantity
1	Front Grill	1
2	Plastic Ring	1
3	Spinner	1
4	Small Blade	1
5	Main Blade	1
6	Plastic Nut	1
7	Rear Grill	1
8	Motor Housing Axis	1
9	Motor Housing	1
10	Manual Control Panel	1
11	Washer	1
12	L Screw	1
13	Free neck	1
14	Screw of Control Panel	1
15	Adjustable Pole	1
16	Tightening Knob	1
17	Pillar	1
18	Base	1
19	Plug	1
20	Power Cord	1
22	LED Indicator Light	1
23	Timer Switch	1
24	Mode Switch	1
25	Oscillation Switch	1
26	Remote controller	1



SAFETY INFORMATION

Signal Word Definitions

NOTE: These are general definitions only; all may not pertain to the specific product purchased.

DANGER – Indicates an imminently hazardous situation, which, if not avoided, will result in death or serious injury. Usage of this signal word is limited to the most extreme situations.

WARNING – Indicates a potentially hazardous situation, which, if not avoided, could result in death or serious injury.

CAUTION – Indicates a potentially hazardous situation, which, if not avoided, may result in minor/moderate injury or product/property damage. It also alerts against unsafe practices.

- Always unplug unit when not in use, moving to a new location and when cleaning.
- Extreme caution is necessary when fan is used by or near children or invalids.
- Do not operate any fan with a damaged cord or plug, after the fan malfunctions, has been dropped or damaged in any manner.
- Do not use outdoors.
- Do not insert or allow foreign objects to enter any ventilation or exhaust opening as this may cause electric shock, and/or a fire hazard.
- Do not use fan in areas where gasoline, paint, or flammable materials are used or stored. A fan has sparking parts inside.
- Do not place fan on an uneven surface or a surface smaller than the fan that might allow it to tip or fall causing damage to property or injury to people.
- Do not use the fan with the fan guards removed.

Do not route cord under carpeting or cover cord with throw rugs, runner, or the like. Arrange cord away from traffic area where cord will not be tripped over. To disconnect fan, turn controls to off, then remove plug from outlet.

CAUTION: TO REDUCE THE RISK OF FIRE OR ELECTRICAL SHOCK, DO NOT USE THIS FAN WITH ANY SOLID STATE SPEED CONTROL DEVICE.

Use this fan only as described in this manual. Any other use not recommended by the manufacturer may cause fire, electric shock, or injury to persons.

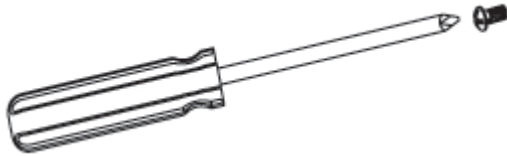
CAUTION: This fan is equipped with an automatic reset limit control. If fan overheats for any reason this limit control will open and stop the fan.

Preparation

Before beginning assembly of product, make sure all parts are present. Compare parts with package contents list and diagram above. If any part is missing or damaged, do not attempt to assemble the product. Contact customer service for replacement parts.

Estimated Assembly Time: 30 minutes

Tools Required for Assembly: Phillips Screwdriver (not included),



ASSEMBLY

Assembling the Base, Pillar, Adjustable Pole and Manual Control Panel

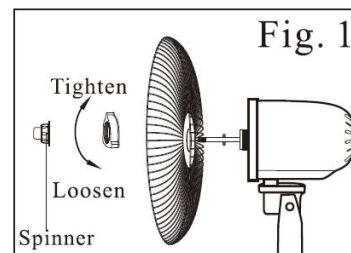
Step 1. Align the pillar over the base, making sure that the holes in the pillar align with the holes in the base. Screw the Pillar Tightening Nut onto the Pillar clockwise to tighten into the base until secure.

Step 2. Hold the Adjustable Pole & loosen the Height Adjustment Knob by twisting it counter-clockwise, adjust the pole to the desired height and tighten the Height Adjustment Knob .

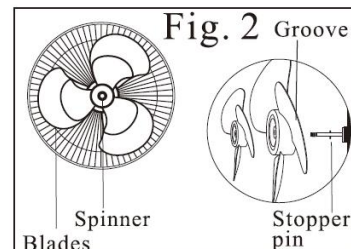
Step 3. Place the Manual Control Panel onto the Adjustable Pole and tighten the Screw of Control Panel

BLADE AND GRILLS ASSEMBLY

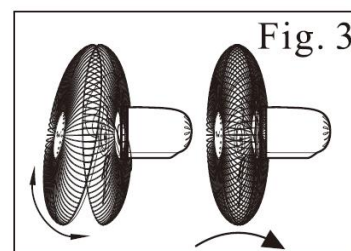
1, Remove the spinner and the plastic nut from the front side of the motor .Fix the rear grill and plastic nut to the motor shaft then tighten the plastic nut. Take the plastic ring out of packing carton, slip the ring of the rear grill into the deep slot of the plastic ring.(Figure 1)



2. Discard PVC sleeve on shaft. Insert the blade into shaft, make sure the stopper pin is clipped into the groove of the blade. Screw the spinner counter-clockwise to tighten the blade (Figure2)



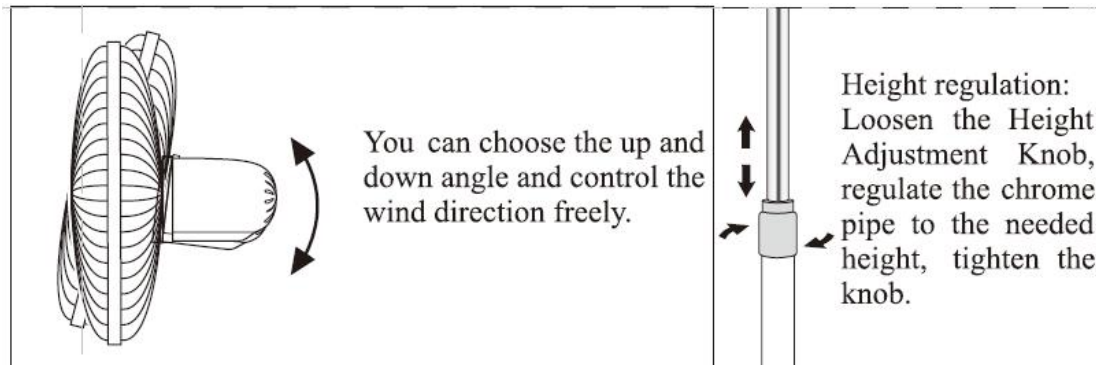
3.After put the centre piece of the front grill upright , slip the ring of the front grill into the another slot of the plastic ring, tighten the bolt in the joint of the ring by a screwdriver. (Figure 3)



Caution: To avoid the risk, make sure the Plastic Ring tie the

Front Grill and Rear Grill up before operating.

OPERATION



Remote Control:

The remote control is shown on the left with five main buttons: Speed, On/Off, Mode, Timer, and Osc. Lines connect these buttons to their respective descriptions on the right.

Speed Press this key, it will be in wind speed state, the relative indicator light will be on. Press this key again, the following diagram shows the order of the wind flow.
→ 1(Low)→ 2(MED.)→3(HIGH) →1(Low) →2(MED.) →3(HIGH)...
Recycle

Press this key will switch on/off, indicator light ring will be on

Timer Press this key, you can set the time needed. The following diagram Shows the order of the timer setting. Do not press the timer key, when the fan will be required to operate continuously. At the moment, all timer LED don't light.
0.5→1.0→1.5→2.0→2.5→3.0→3.5→4.0→5.0→5.5→6.0→6.5→7.0→7.5
Recycle

OSC This Key serves to start or stop the fan oscillation.
IMPORTANT NOTE: Do not try to change the fan head direction forcibly by hand; otherwise the fan will be damaged

Mode Press this key, there are three feature wind mode could be choose, press this key as you desired
→ NOR. → NAT. →SLEEP
Recycle

Attention: The remote control must face to the receiver

1. The using range of the remote control must be within 7 meters away from receiver. If the remote control isn't faced to the receiver, its using range will be narrowed.
2. If this fan is used in the room with operating high-power machines, the remote control may be out of order.
3. Don't put any obstructions between the receiver and remote control
4. If you don't use the remote control, please take the cell out and keep it well
5. Please take good care of the remote control and avoid knocking and breaking it

MAINTENANCE

WARNING: ALWAYS UNPLUG THE UNIT BEFORE ATTEMPTING TO PERFORM ANYSERVICE FUNCTION.

Cleaning: Remove front guard by removing screws and nuts from opposing guards with a screwdriver. To clean the fan blade, use a soft cloth moistened with a mild soap solution. Use a soft brush and soap solution to clean the guards (grills). DO NOT use gasoline, benzene or thinner, or other hazardous liquids or abrasives.

Lubrication: The motor is pre-lubricated at the factory and requires no addition oil.

USER SERVICING INSTRUCTIONS

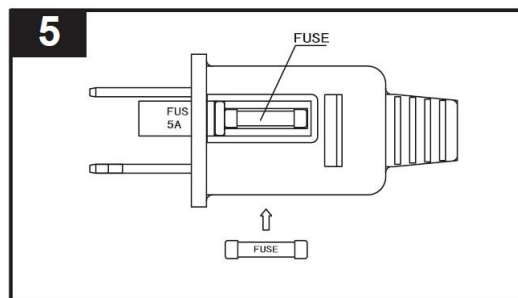
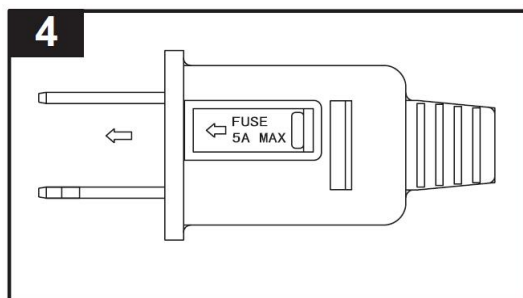
NOTE:

This product employs overload protection (fuse). A blown fuse indicates an overload or short-circuit situation. If the fuse blows, unplug the product from the outlet. Replace the fuse as per the user servicing instructions (follow product marking for proper fuse rating) and check the product. If the replacement fuse blows, a short-circuit may be present and the product should be discarded or returned to an authorized service facility for examination and/or repair.

HOW TO REPLACE THE FUSE

- Grasp plug and remove from the receptacle or other outlet device. Do not unplug by pulling on cord. Open fuse cover by sliding it towards blades (see Fig. 4). Then remove the fuse, pry it out carefully (see Fig. 5). Replace the new fuse and push the cover back

• **WARNING:** Risk of fire. Replace fuse only with 5 Amp, 125 Volt fuse. Do not replace attachment plug. Discard product if the attachment plug is damaged.



TROUBLESHOOTING

WORK SHOULD BE DONE BY A FACTORY AUTHORIZED SERVICE CENTER.

SYMPTOM	POSSIBLE CAUSES	CORRECTIVE ACTION
Fan fails to operate	<ol style="list-style-type: none"> 1. Cord not plugged in. 2. Fuse blown or circuit breaker open. 3. Low voltage. 4. Defective switch. 5. Limit control. 	<ol style="list-style-type: none"> 1. Plug cord into outlet. 2. Replace fuse or reset breaker. 3. Ensure that there is proper voltage at outlet. 4. Replace switch. 5. Vacuum air blockage on fan guards; clear air obstruction; wait for motor to cool down.
Fan operates noisily	<ol style="list-style-type: none"> 1. Fan blade loose. 	<ol style="list-style-type: none"> 1. Tighten fan blade.
Fan vibrates	<ol style="list-style-type: none"> 1. Fan sitting on uneven or inclined surface. 2. Fan blade dirty. 3. Fan blade broken or bent. 	<ol style="list-style-type: none"> 1. Place fan on level surface. 2. Clean fan blade (see Maintenance). 3. Replace fan blade.

