

6

INSTALLATION



CAUTION BEFORE INSTALLATION

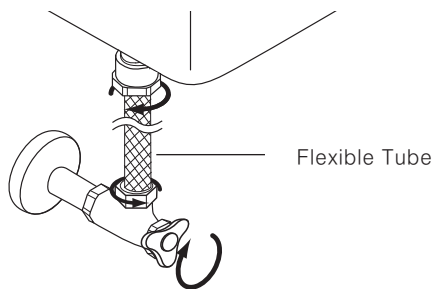
- Do not plug in before installation.
- If you need an electric power system or extension, please consult a qualified electrician.

STEPS



1 Turn Off Water.

- Shut off the water supply shut off valve. Drain the toilet tank completely. Then remove the existing fill valve water supply hose.



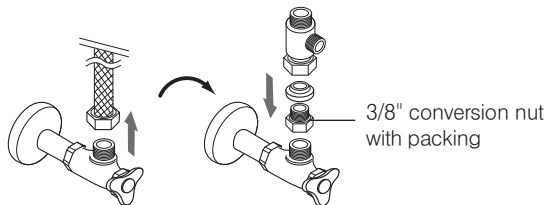
2 Removing the existing seat and lid.

- Remove mounting bolts to release existing toilet seat from toilet.



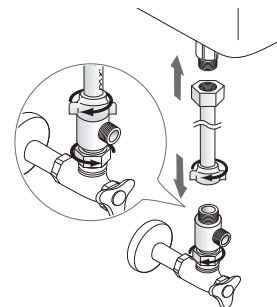
3 Connect T-Valve.

- Remove existing supply tube from fresh tank
- Connect supplied 1/2" T-Valve Adaptor. Use 3/8" conversion nut if existing shut off valve is 3/8".



4 Water Supply to Tank Assembly.

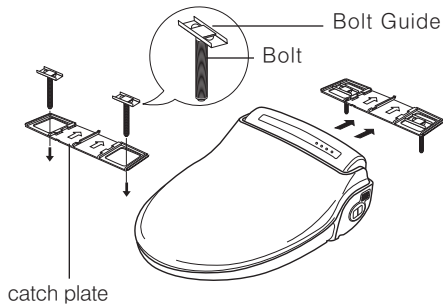
- Connect supplied fill valve water supply hose as illustrated.



※Check for any water leaks.

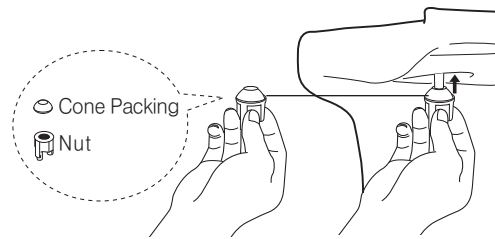
5 Installation Catch Plate.

Place the plate and guides over each mounting hole. Insert the mounting bolts through the plate and mounting holes.



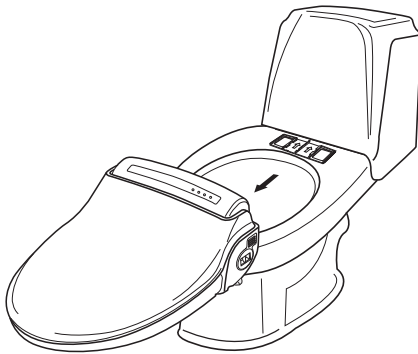
6 Bolt and Nut Assembly.

Slide cone packing and washers onto the bolts then fasten to securely mount bidet seat to toilet.



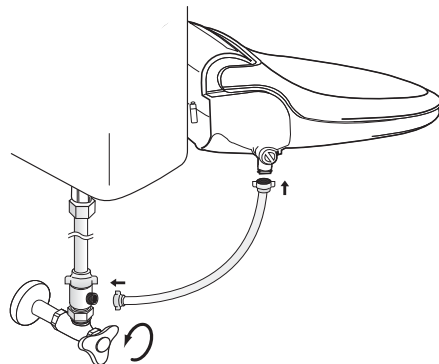
7 Assembly.

1. Slide this product onto the catch plate centering the unit with the guide arrows on the Base.
2. You will hear a click once this product is securely mounted to the catch plate.
3. This product will feel a little loose on the toilet bowl. Adjust the fit from front to back and side to side for balance.
4. Tighten the nuts on both bolts securely.



8 Water Supply Tube Assembly.

1. Connect the flexible tube from side of T-Valve to this product.
2. Open water valve.
3. Check for leaks.
4. If there are no leaks and the surrounding area is clean and dry, connect the power cord to a ground protected power outlet.

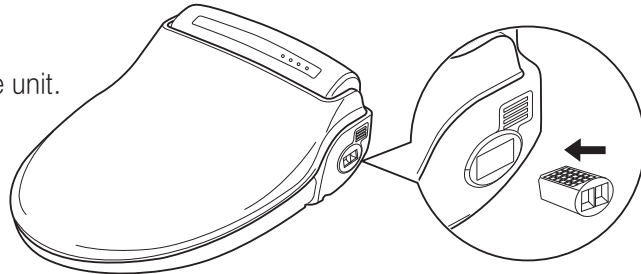


※Check for any water leaks.

INSTALLATION

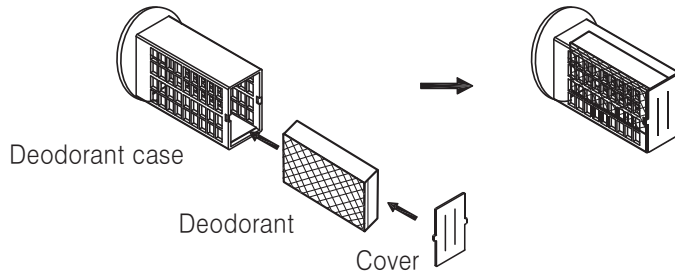
6 INSTALLATION

- 9 Deodorizer Installation.**
 Insert the deodorant cartridge into the unit.
 (BB- 1000 Only)

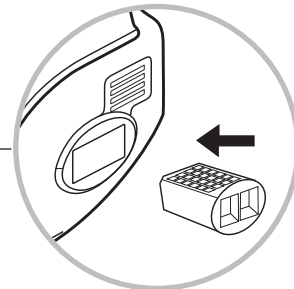


How to change the deodorant catalyst

- 1**
- Deodorant assembly diagram.
 - Follow the below photos to change the deodorant.



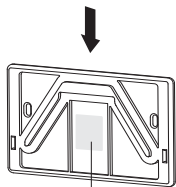
- 2** Insert the new deodorant case into the unit.



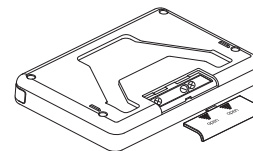
10 Wireless remote mounting guide. (BB-1000)



1. Remove adhesive from back of bracket and place bracket where desired.



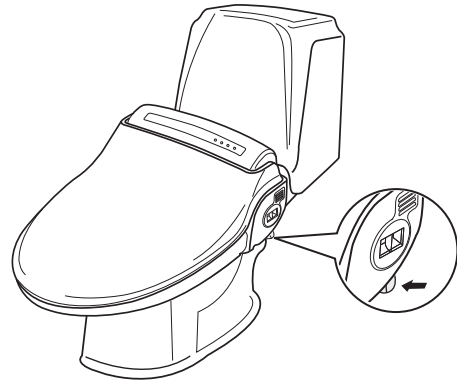
2. Place remote into remote bracket.



Insert supplied batteries and close battery cover

7 SEPARATION OF UNIT FROM THE TOILET BOWL

- 1 Disconnect the power plug.
- 2 Close water supply shut-off valve.
- 3 Drain water from bidet seat using drainage as illustrated.
- 4 Remove bidet seat from toilet as illustrated.
–Drainage is also release button from catch plate.



 Do not turn unit upside down.

