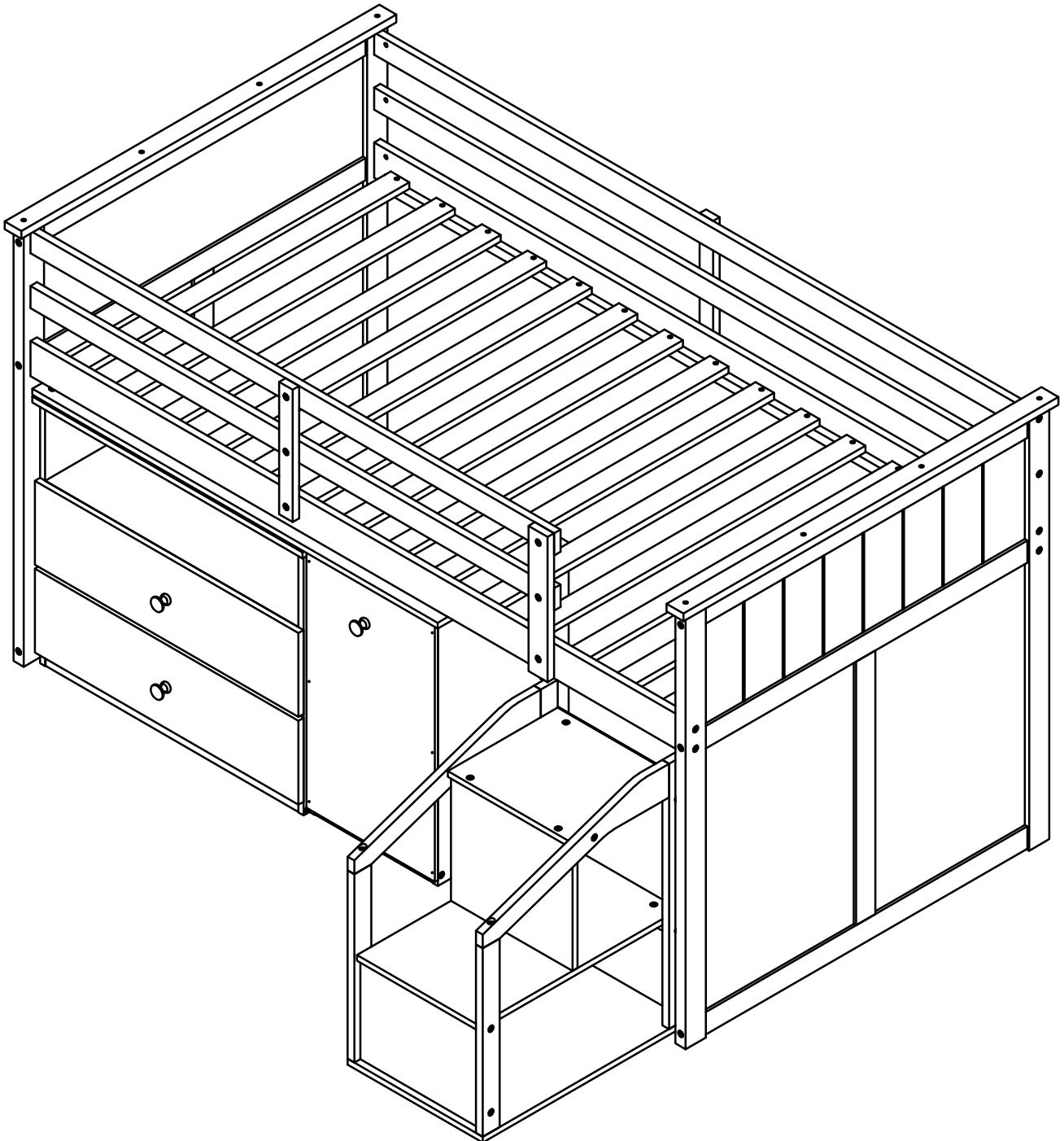


ASSEMBLY INSTRUCTION

SKU CODE: (WF291811-WF291812)

This set is included 2 boxes if don't receive full 2 boxes please contact our customer service team



! SAFETY WARNINGS !

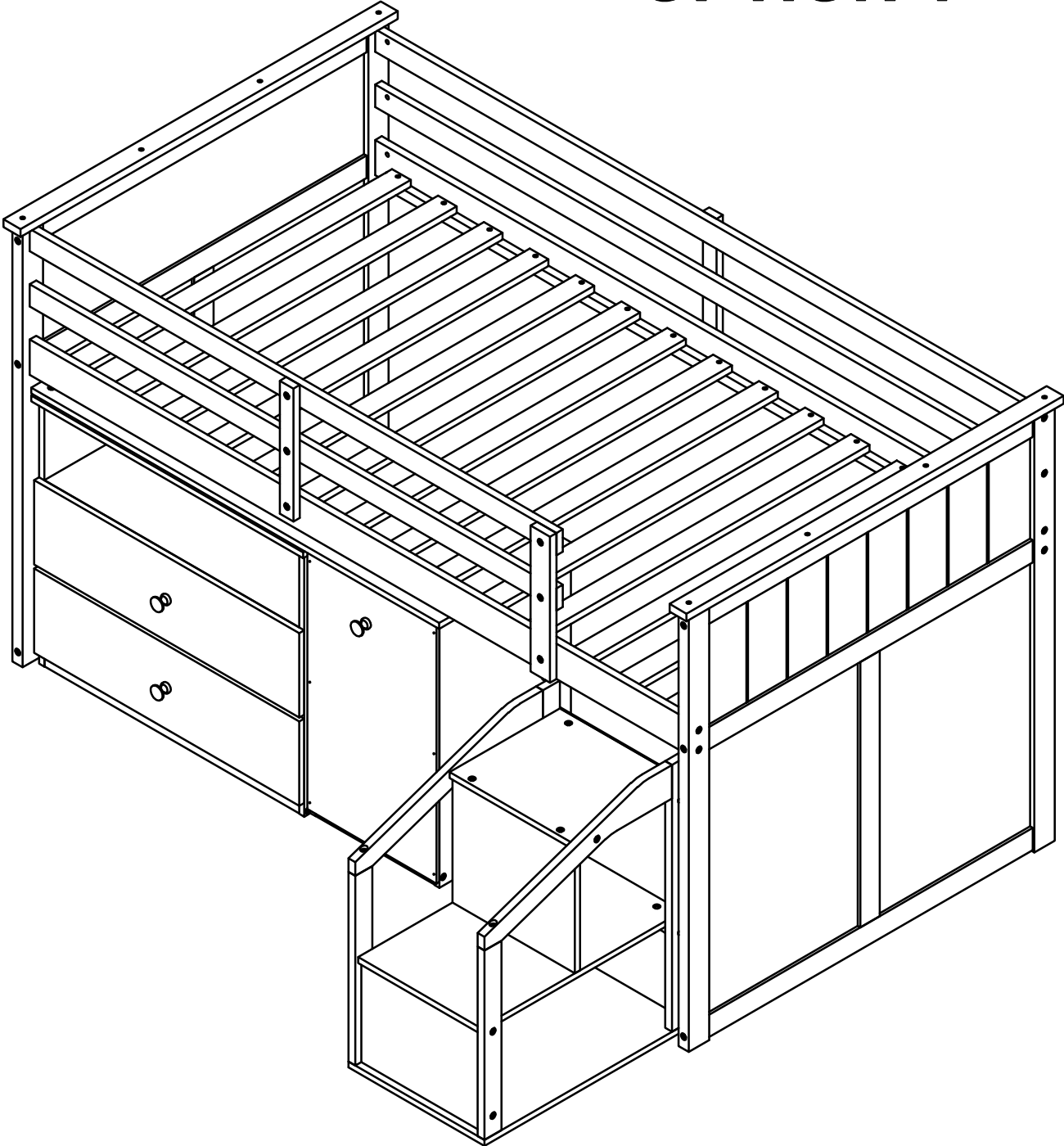
1. This bed is designed for use only mattress (es) meeting the following specifications on the upper bunk, and lower bunk

Upper bed

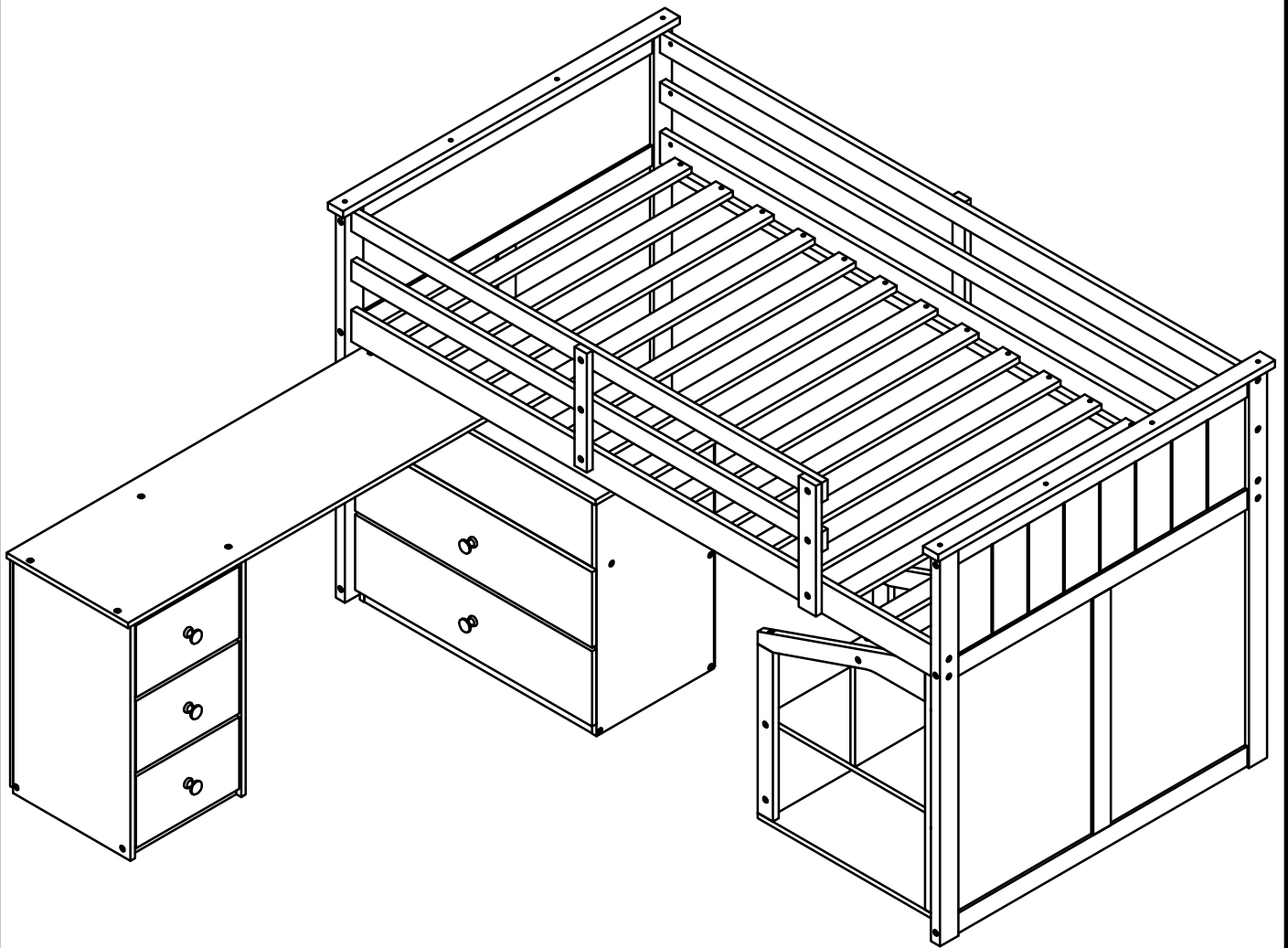
Bed Type	Length	Width	Thickness
<i>Twin Standard</i>	<i>74" - 75"</i>	<i>38 1/2"</i>	<i>6" max</i>

2. Replacement parts, including additional guardrails, maybe obtained from any of our (GIGACLOUD TECHNOLOGY (USA) INC. 18961 ARENTH AVENUE CITY OF INDUSTRY, CA, 91748) dealers
3. Follow the information on the warnings appearing on the upper bunk bed end structure and on the carton. Do not remove warning label from bed
4. Always use the recommended size mattresses or mattress supports, or both, to help prevent the likelihood of entrapment or falls.
5. Surface of mattress must be at least 5" (127mm) below the upper edge of guardrails
6. Do not allow children under 6 years of age to use the upper bunk.
7. Periodically check and ensure that the guardrail, ladder, and other components are in their proper position, free from damage, and that all connectors are tight.
8. Do not allow horseplay on or under the bed and prohibit jumping on the bed.
9. Always use the ladder for entering and leaving the upper bunkAlways use the ladder for entering and leaving the upper bunk.
10. Do not use substitute part. Contact the manufacture or dealer for replacement part
11. Use of a night light may provide added safety precaution for a child using the upper bunk..
12. Always use guardrails on both long sides of the upper bunk. If the bunk bed will be placed next to the wall, the guardrail that runs the full length of the bed should be placed against the wall to prevent entrapment between the bed and wall.
13. The use of water or sleep flotation mattresses is prohibited
14. STRANGULATION HAZARD - Never attach or hang items to any part of the bunk bed that are not designed for use with the bed; for example, but not limited to, hook, belts and jump ropes
15. Keep these instruction for future reference
16. Prohibit more than one person on upper bunk
17. We recommend assembling your bunk bed on the shipping carton to protect your floor or carpet
18. Be certain all staples are out of the box before beginning assembly on the shipping carton.

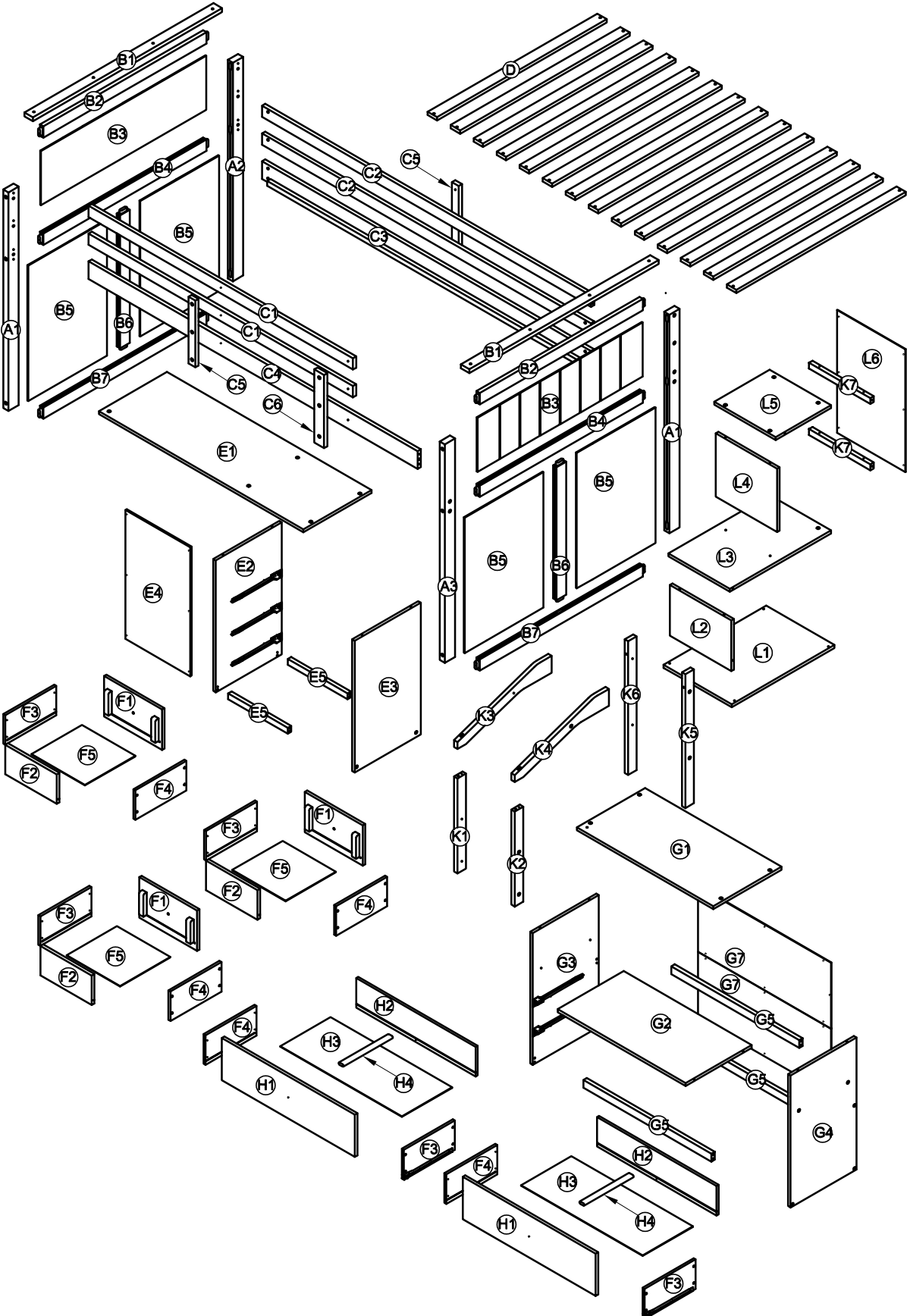
OPTION 1




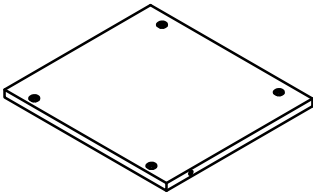
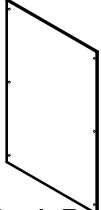
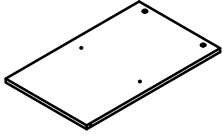
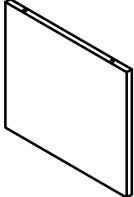
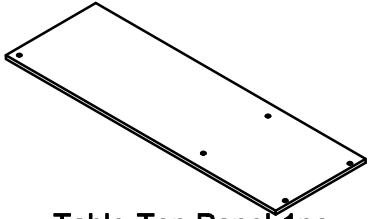


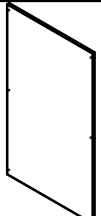
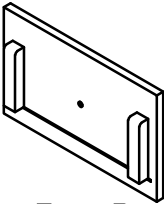
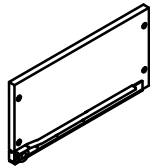
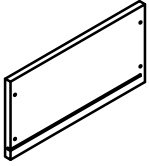
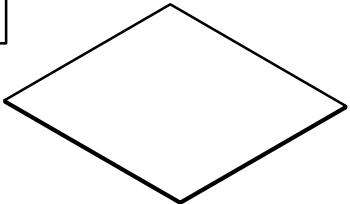
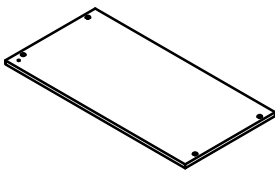
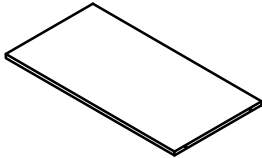
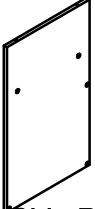
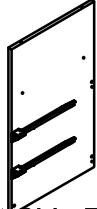
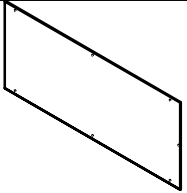
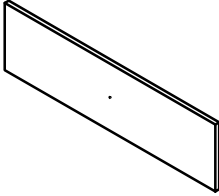
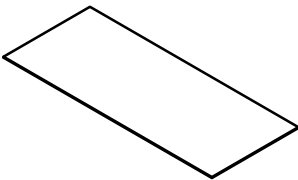
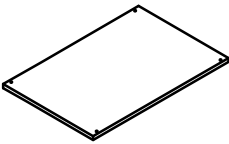
OPTION 2



ASSEMBLY INSTRUCTION

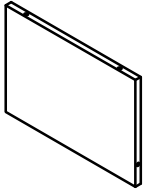


Part List & Hardware List(Box 1-WF291811)

<p>B5</p>  <p>Panels-4pcs</p>	<p>L5</p>  <p>Stair-Top Panel-1pc</p>	<p>L6</p>  <p>Stair-Back Panel-1pc</p>
<p>L3</p>  <p>Stair-Center Panel-1pc</p>	<p>L4</p>  <p>Stair-Front Panel-1pc</p>	<p>E1</p>  <p>Table-Top Panel-1pc</p>
<p>E2</p>  <p>Table-Side Panel-1pc</p>	<p>E3</p>  <p>Table-Side Panel-1pc</p>	<p>E4</p>  <p>Table-Back Panel-1pc</p>
<p>F1</p>  <p>Drawer-Front Panels-3pcs</p>	<p>F3</p>  <p>Drawer-Side Panels-5pcs</p>	<p>F4</p>  <p>Drawer-Side Panels-5pcs</p>
<p>F5</p>  <p>Drawer-Bottom Panels-3pcs</p>	<p>G1</p>  <p>Cabinet-Top Panel-1pc</p>	<p>G2</p>  <p>Cabinet-Center Panel-1pc</p>
<p>G3</p>  <p>Cabinet-Side Panel-1pc</p>	<p>G4</p>  <p>Cabinet-Side Panel-1pc</p>	<p>G7</p>  <p>Cabinet-Back Panels-2pcs</p>
<p>H1</p>  <p>Drawer-Front Panels-2pcs</p>	<p>H3</p>  <p>Drawer-Bottom Panels-2pcs</p>	<p>L1</p>  <p>Stair-Bottom Panel-1pc</p>




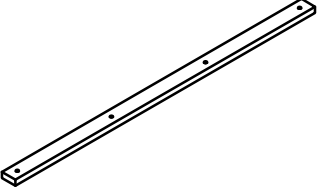
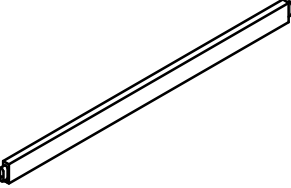
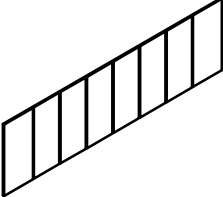
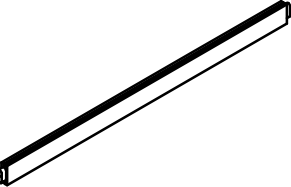

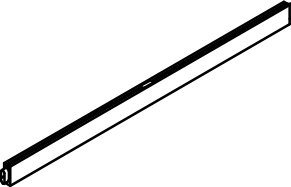


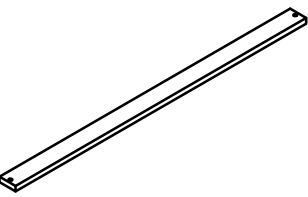
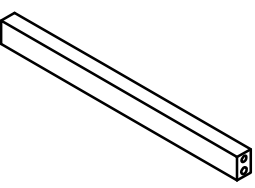
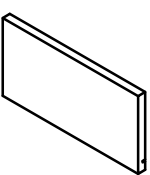
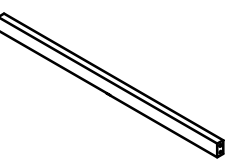
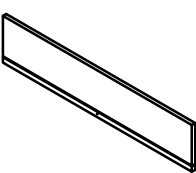
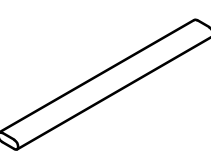


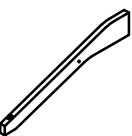
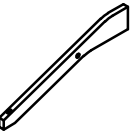
Part List & Hardware List (Box 1-WF291811)

L2

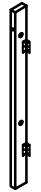

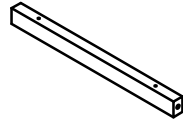
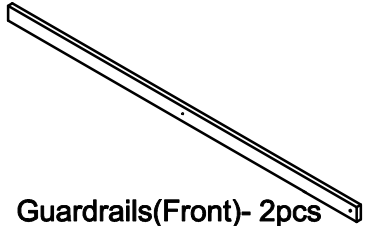
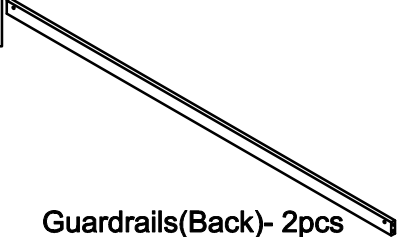
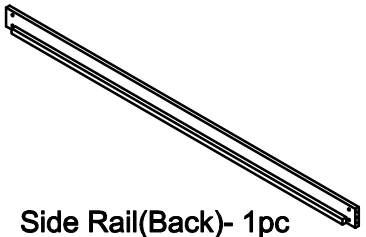
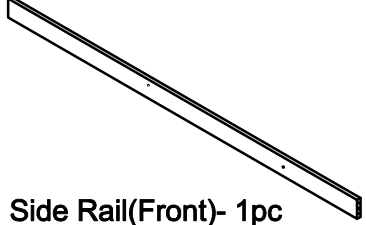


Stair-Front Panel-1pc

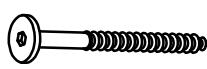
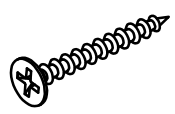
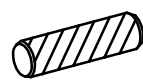
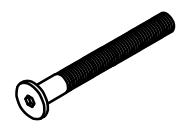

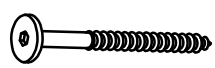


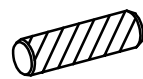


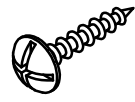
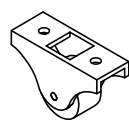


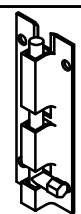
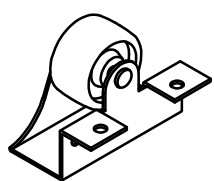

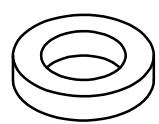

Part List (Box 2-WF291812)

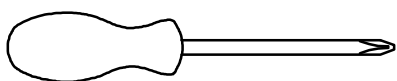
<p>A1</p>  <p>Legs-2pcs</p>	<p>A2</p>  <p>Leg-1pc</p>	<p>A3</p>  <p>Leg-1pc</p>
<p>B1</p>  <p>Top Rails-2pcs</p>	<p>B2</p>  <p>Wood Bars-2pcs</p>	<p>B3</p>  <p>Panels-2pcs</p>
<p>B4</p>  <p>Wood Bars-2pcs</p>	<p>B6</p>  <p>Wood Bars-2pcs</p>	<p>B7</p>  <p>Wood Bars-2pcs</p>
<p>C5</p>  <p>Rails-2pcs</p>	<p>C6</p>  <p>Rail-1pc</p>	<p>D</p>  <p>Short Slats-14pcs</p>
<p>E5</p>  <p>Table-Wood Bars-2pcs</p>	<p>F2</p>  <p>Drawer-Back Panels-3pcs</p>	<p>G5</p>  <p>Cabinet-Wood Bars-3pcs</p>
<p>H2</p>  <p>Drawer-Back Panels-2pcs</p>	<p>H4</p>  <p>Drawer-Support Bottom Panels-2pcs</p>	<p>K1</p>  <p>Stair-Leg-1pc</p>
<p>K2</p>  <p>Stair-Leg-1pc</p>	<p>K3</p>  <p>Stair-Wood Bar-1pc</p>	<p>K4</p>  <p>Stair-Wood Bar-1pc</p>

Part List (Box 2-WF291812)

K5  Stair-Leg-1pc	K6  Stair-Leg-1pc	K7  Stair-Wood Bars-2pcs
C1  Guardrails(Front)- 2pcs	C2  Guardrails(Back)- 2pcs	C3  Side Rail(Back)- 1pc
C4  Side Rail(Front)- 1pc		

Hardware List(Box 1-WF291811)

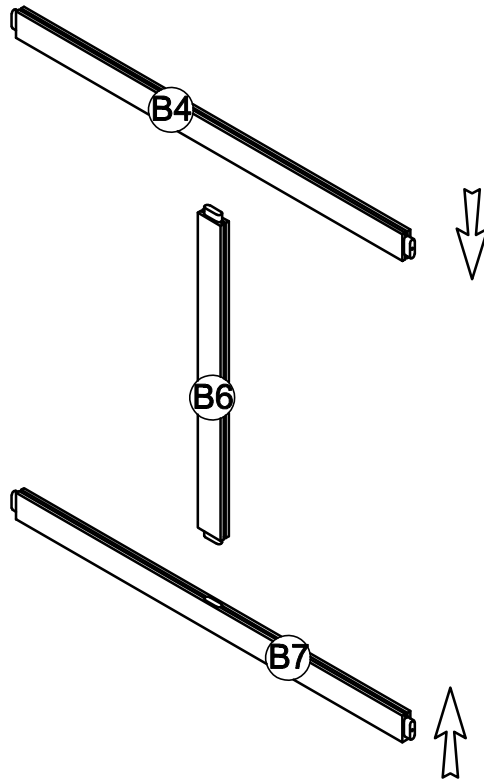
<p>1</p>  <p>Screws 1/4"x80 16pcs</p>	<p>2</p>  <p>M4 x 30 mm Wood Screws 84pcs</p>	<p>3</p>  <p>Ø10 x 40 mm Wood dowel 10pcs</p>
<p>4</p>  <p>Ø1/4" x 80 mm Hex-Head bolts 14pcs</p>	<p>5</p>  <p>Ø1/4" x 13 mm Horizontal-Hole bolts 14pcs</p>	<p>6</p>  <p>Screws 1/4"x30 6pcs</p>
<p>7</p>  <p>Ø1/4" x 15 mm Canopy head though -3pcs</p>	<p>8</p>  <p>Ø1/4" x 25 mm Hex-Head bolts 3pcs</p>	<p>9</p>  <p>Ø8 x 30 mm Wood dowel 16pcs</p>
<p>10</p>  <p>Ø1/4" x 35 mm Hex-Head bolts 37pcs</p>	<p>11</p>  <p>Screws 1/4"x40 8pcs</p>	<p>12</p>  <p>M4 x 15 mm Wood Screws 24pcs</p>
<p>13</p>  <p>Wheels 4pcs</p>	<p>14</p>  <p>Allen Key 1pc</p>	<p>15</p>  <p>M3 x 15 mm Wood Screws 30pcs</p>
<p>16</p>  <p>Stair latch-1pc</p>	<p>17</p>  <p>Wheels 4pcs</p>	<p>18</p>  <p>Handle Wood 6pcs</p>
<p>19</p>  <p>Washer Ø10/Ø6x5 1pc</p>	<p>20</p>  <p>Ø1/6" x 25 mm Hex-Head bolts 6pcs</p>	



Assembly Tools Required (Not Included)

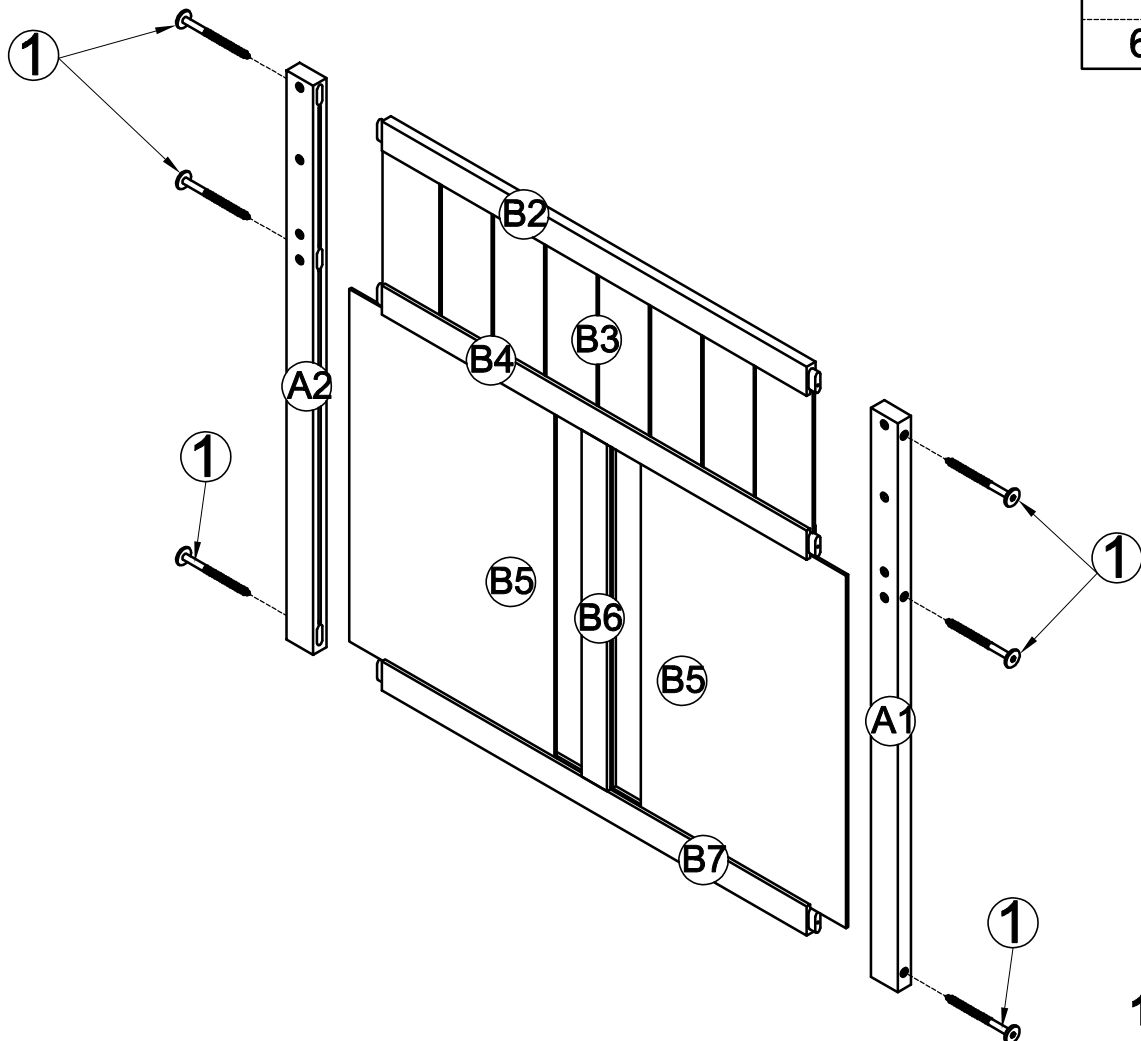
STEP 1-1: Following below illustration:


-Put B6 in the right place with B4,B7



STEP 1-2: Following below illustration:

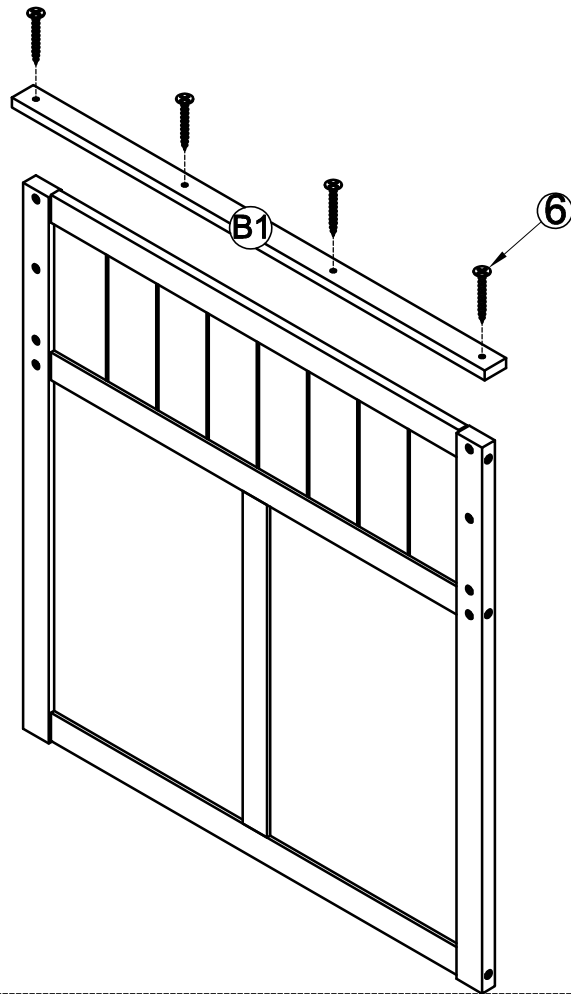
-Using hardware #1 connect B2,B4,B7 and Panels B3,B5(x2) with A1,A2 Legs



1

6pcs

STEP 1-3: Following below illustration:

-Using hardware #2 connect B1 with Frame(completed on step 1-2)



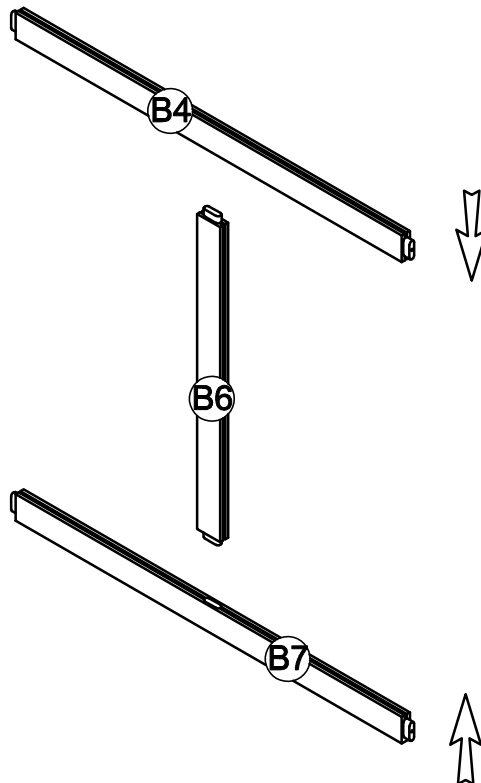
2



4pcs

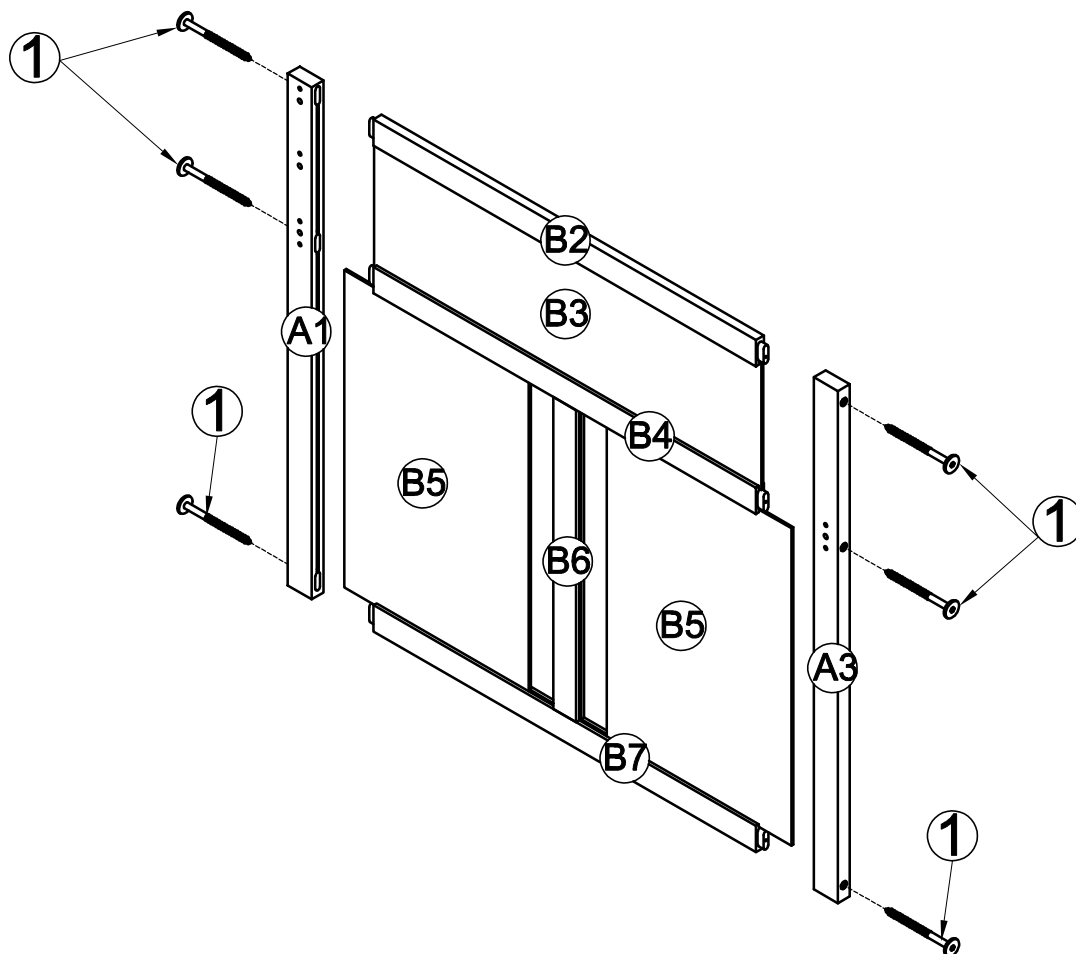
STEP 2-1: Following below illustration:

-Put B6 in the right place with B4,B7



STEP 2-2: Following below illustration:

-Using hardware #1 connect B2,B4,B7 and Panels B3,B5(x2) with A1,A3 Legs



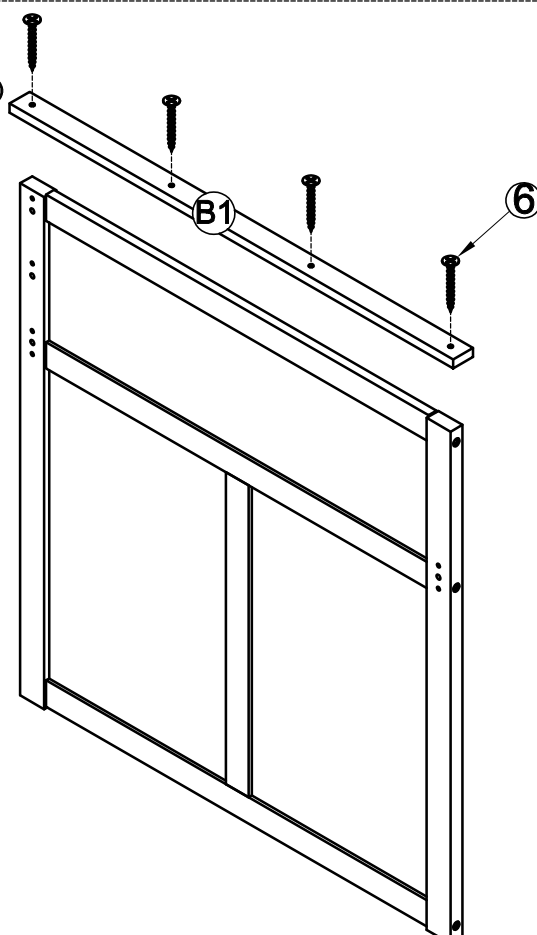
1



6pcs

STEP 2-3: Following below illustration:

-Using hardware #2 connect B1 with Frame(completed on step 2-2)



2


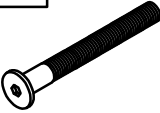



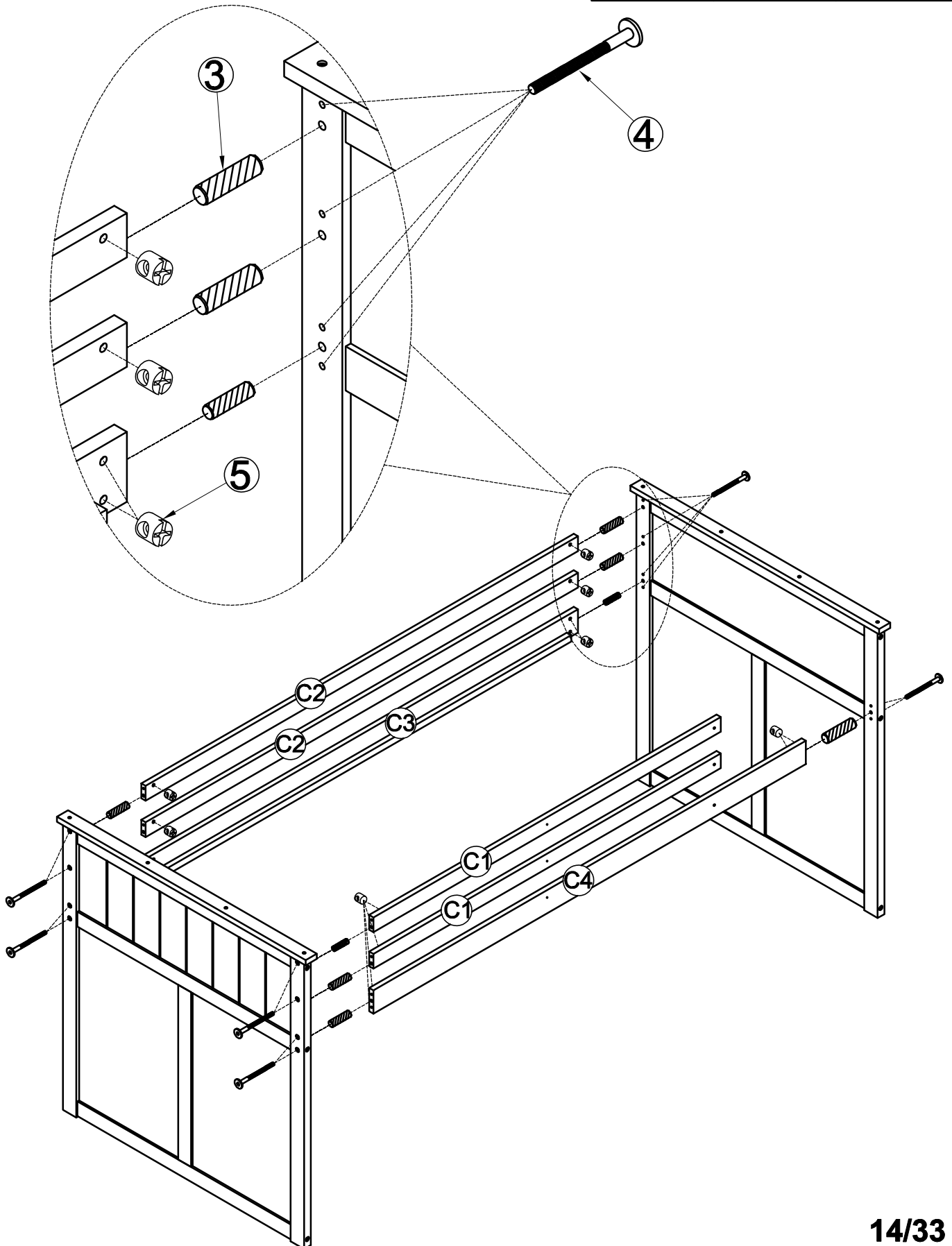
4pcs

STEP 3:

Following below illustration:

- Using hardware #4, #5 and dowel #3 to Assembly Frames (Completed on step 1-3,2-3) with siderail C3,C4 and Guardrails C1(x2),C2(x2)
- Look at detail view for more detail




5		4		3	
14pcs		14pcs		10pcs	

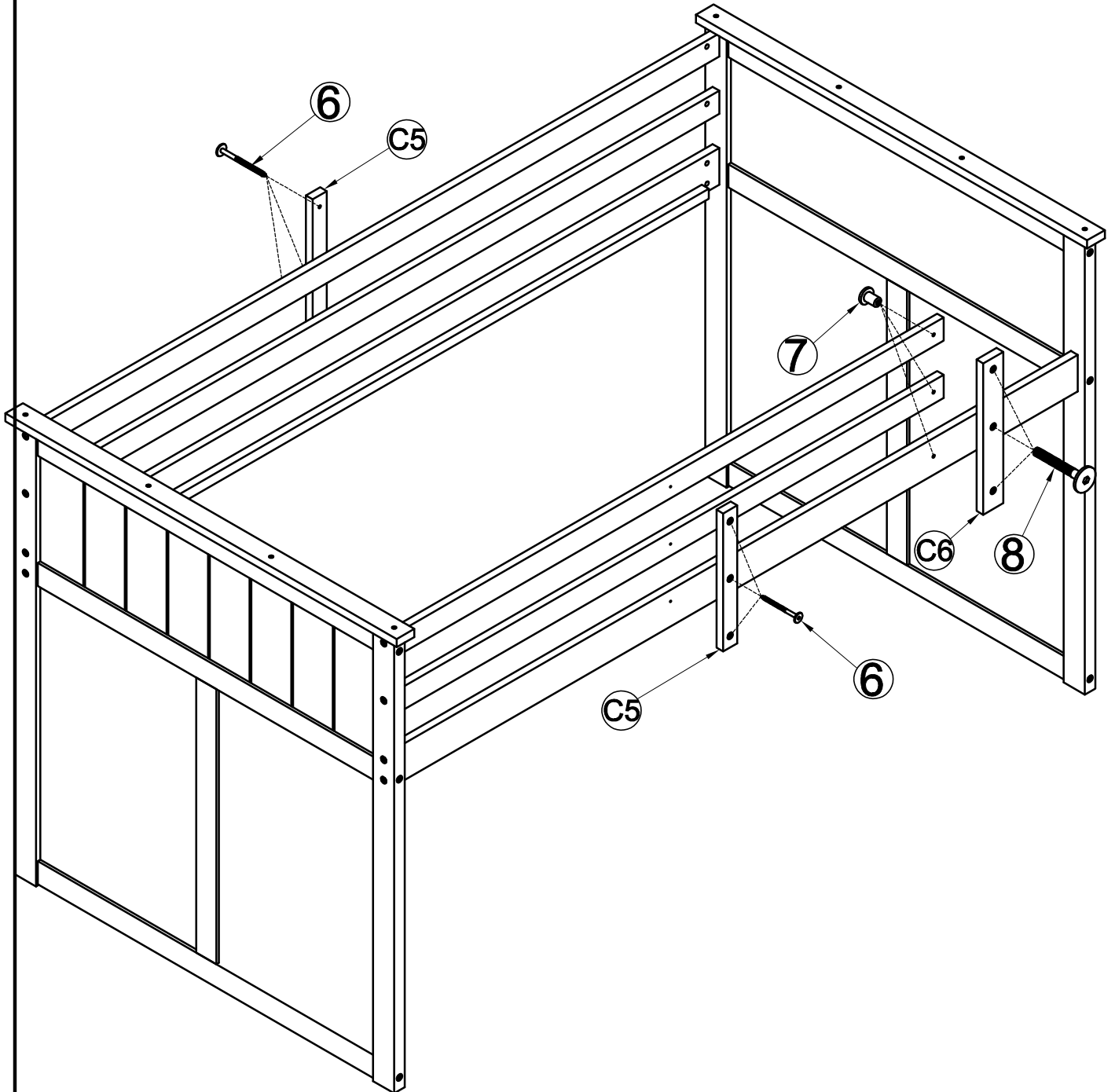


STEP 4:

Following below illustration:

- Using hardware #6, #7,#8 to Assembly Frames (Completed on step 3) with C5(x2),C6
- Look at detail view for more detail

8		7		6	
3pcs		3pcs		6pcs	



STEP 5:

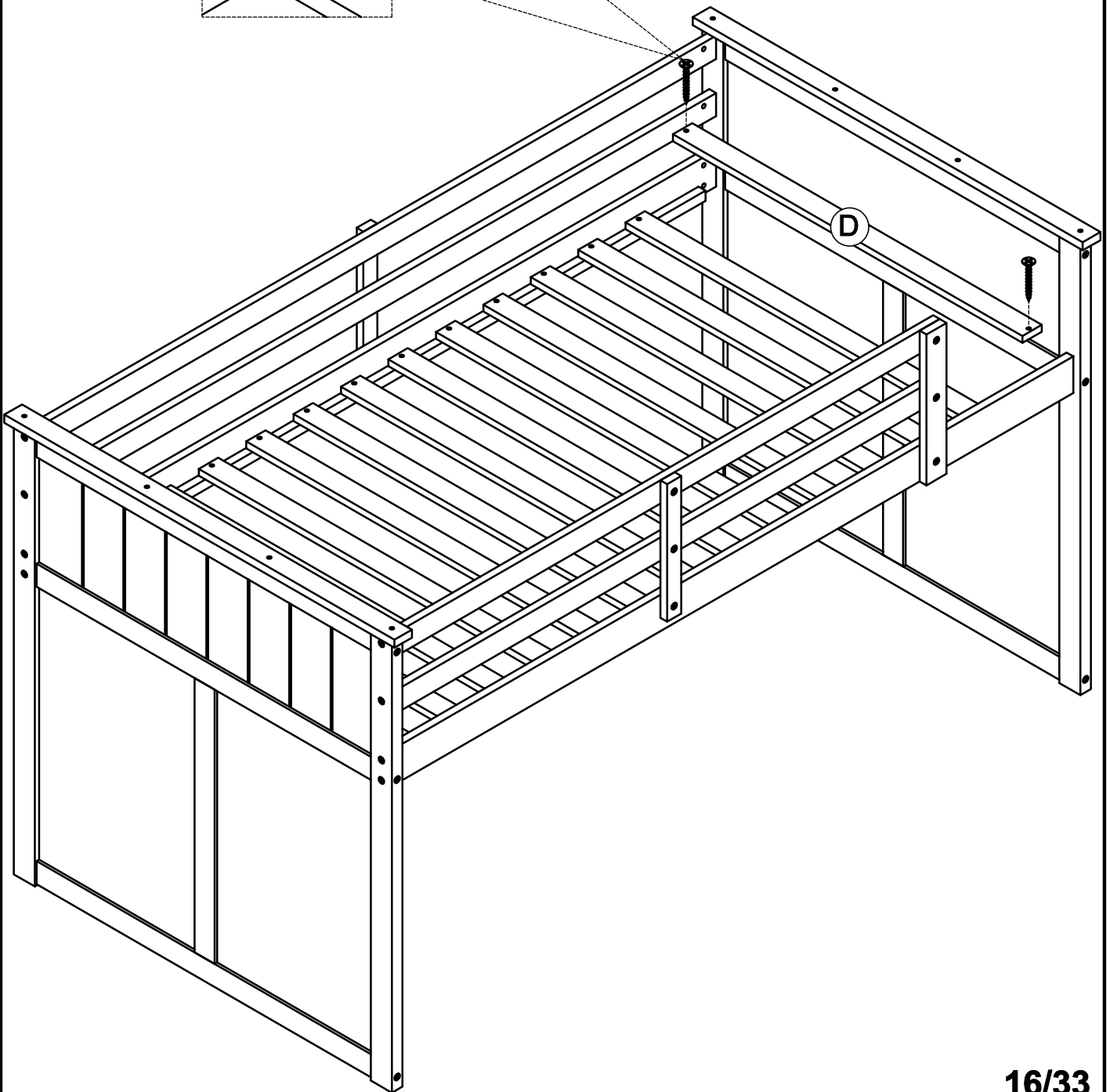
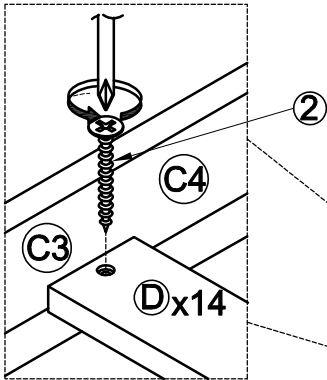
Following below illustration:

- Screw 14 slats D with Side Rail C3,C4 by using hardware #2.
- Look at detail view for more detail

2

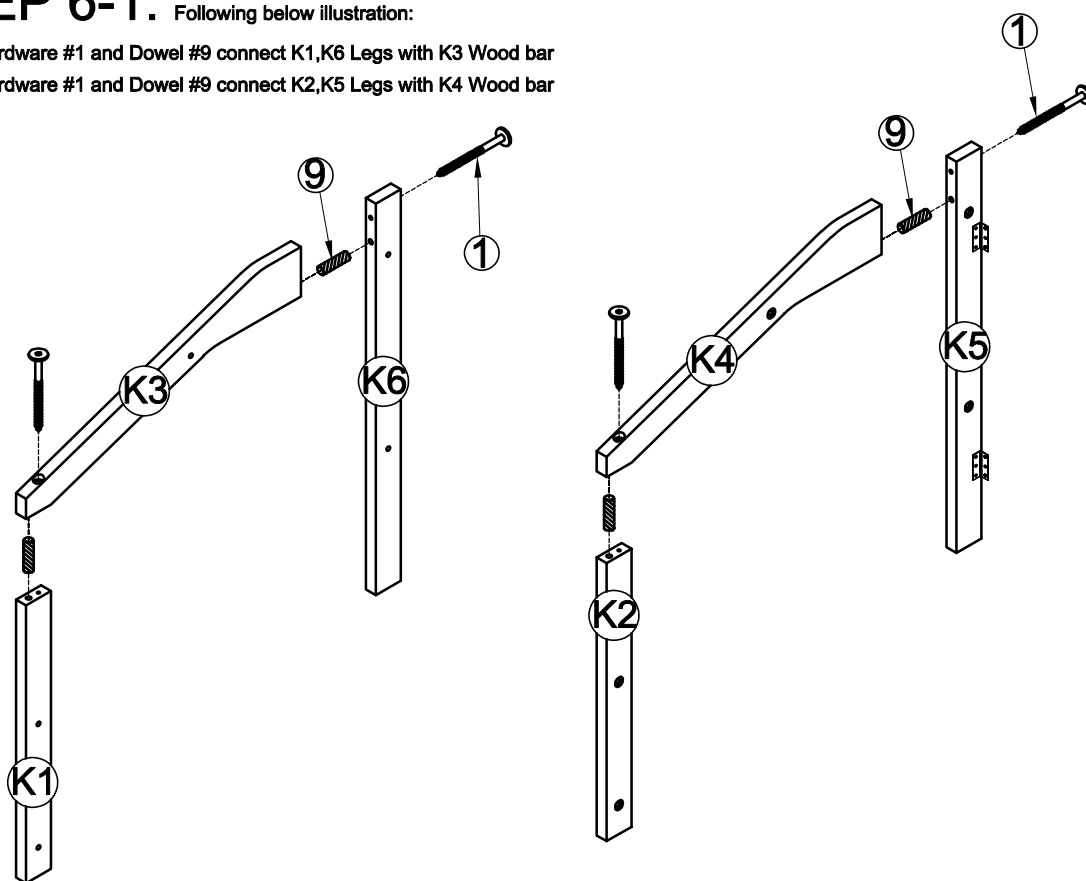




28pcs



STEP 6-1: Following below illustration:

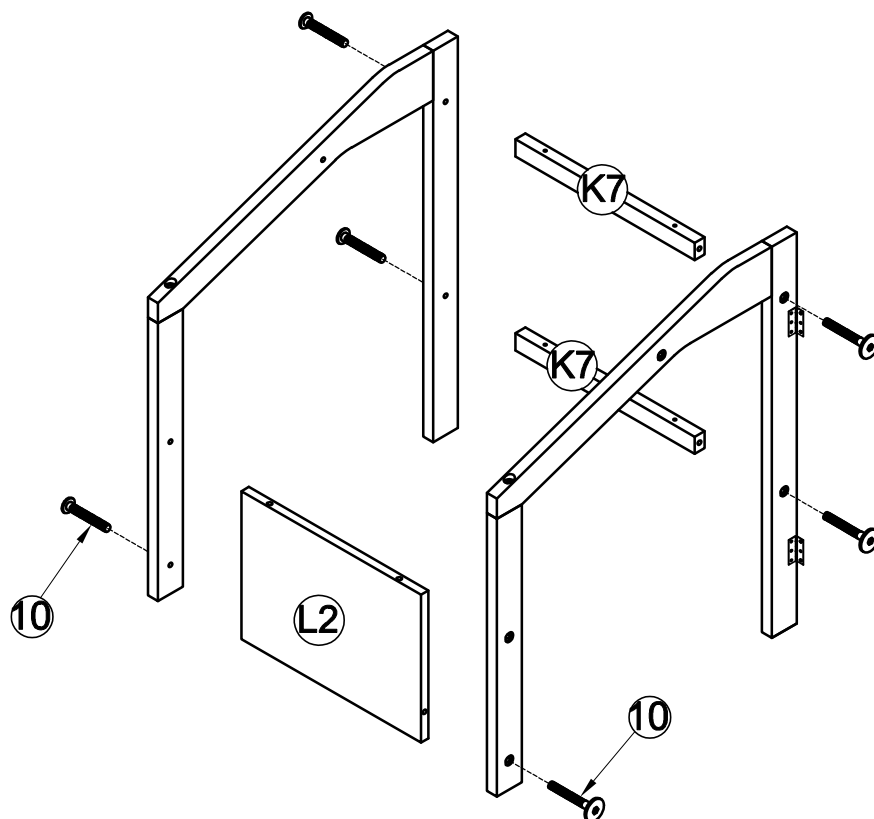
- Using hardware #1 and Dowel #9 connect K1,K6 Legs with K3 Wood bar
- Using hardware #1 and Dowel #9 connect K2,K5 Legs with K4 Wood bar




9	
	4pcs
1	
	4pcs

STEP 6-2: Following below illustration:

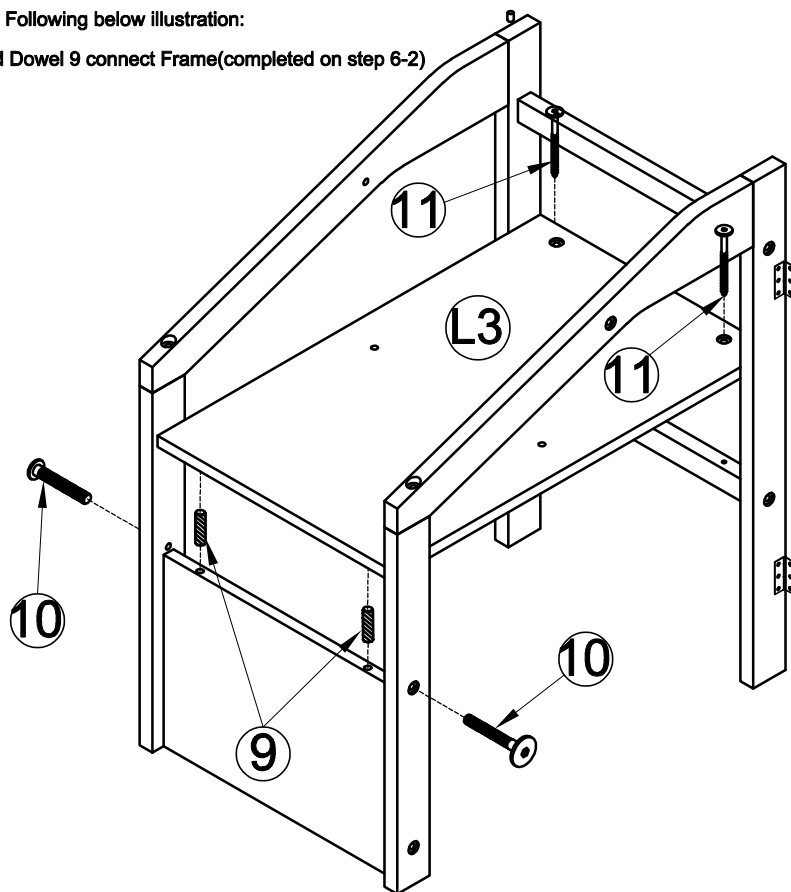
- Using hardware #10 connect Frames(completed on step 6-1) with K7(x2) Wood bar and L2 panel






10	
	6pcs

STEP 6-3: Following below illustration:

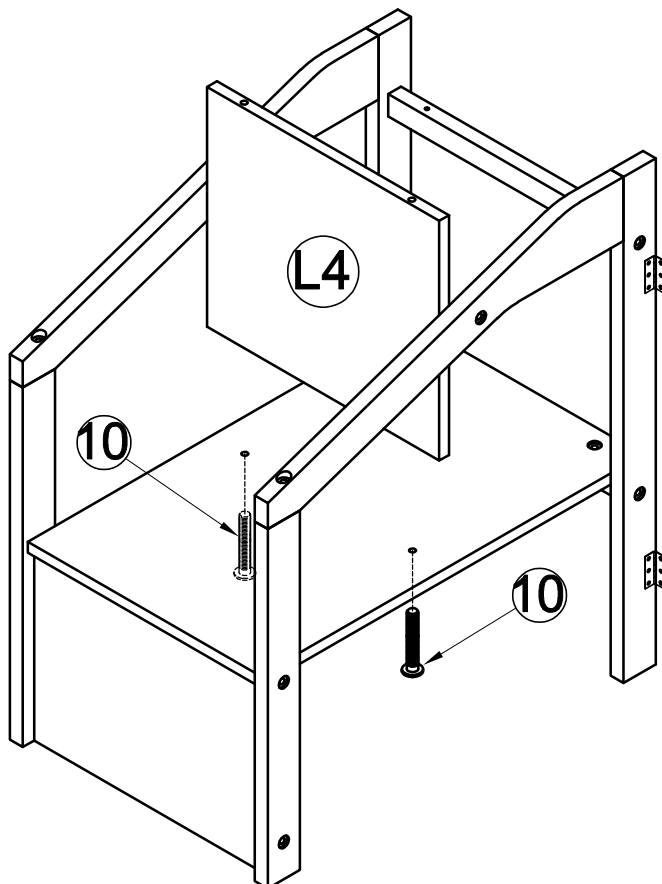
-Using hardware #10,#11 and Dowel 9 connect Frame(completed on step 6-2) with L3 Panel




10	
	2pcs
11	
	2pcs
9	
	2pcs

STEP 6-4: Following below illustration:

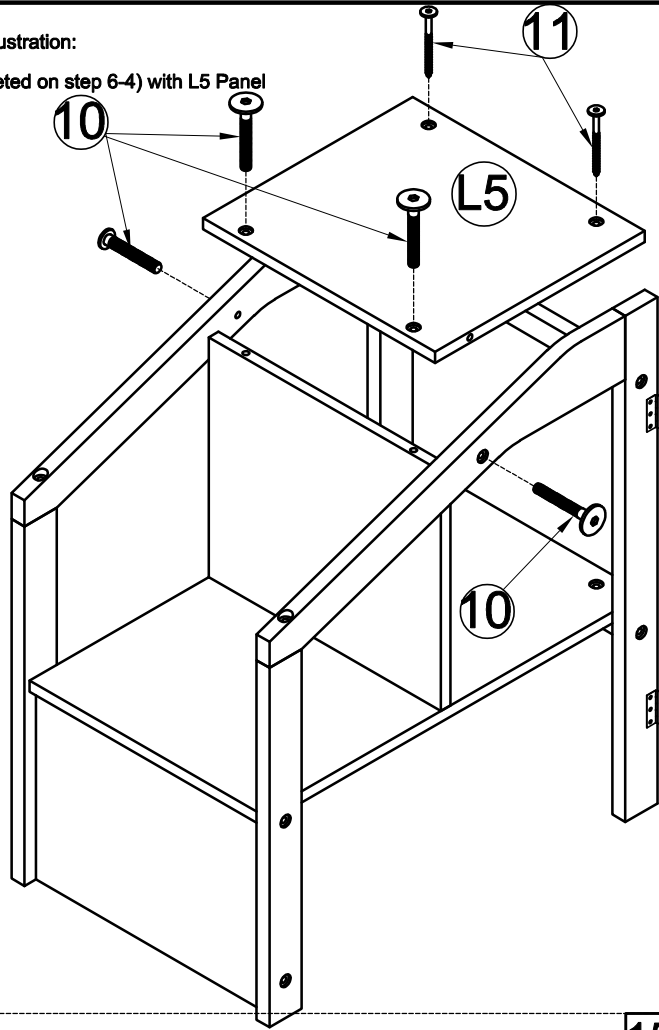
-Using hardware #10 connect Frame(completed on step 6-3) with L4 Panel


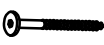


10	
	2pcs

STEP 6-5: Following below illustration:

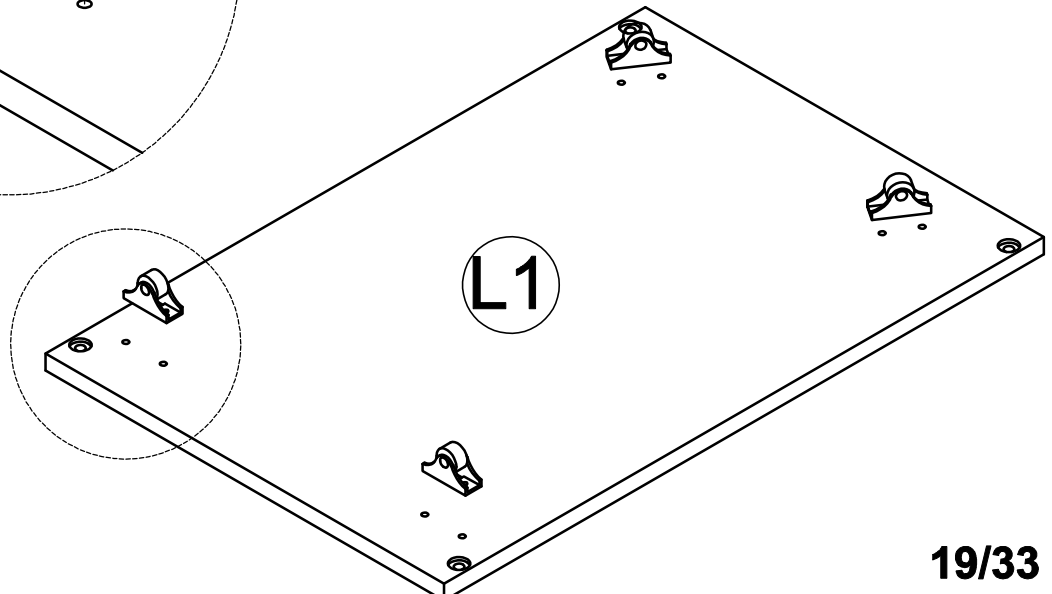
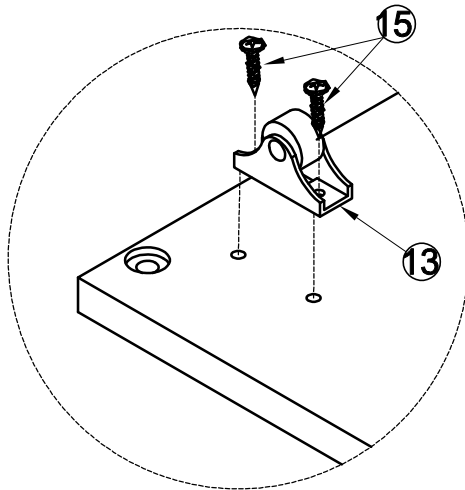
-Using hardware #10,#11 connect Frame(completed on step 6-4) with L5 Panel


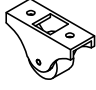


10	
	4pcs
11	
	2pcs

STEP 6-6: Following below illustration:

-Using hardware #15 connect Wheels #13 with L1 Panel



15		13	
	8pcs		4pcs

STEP 6-7:

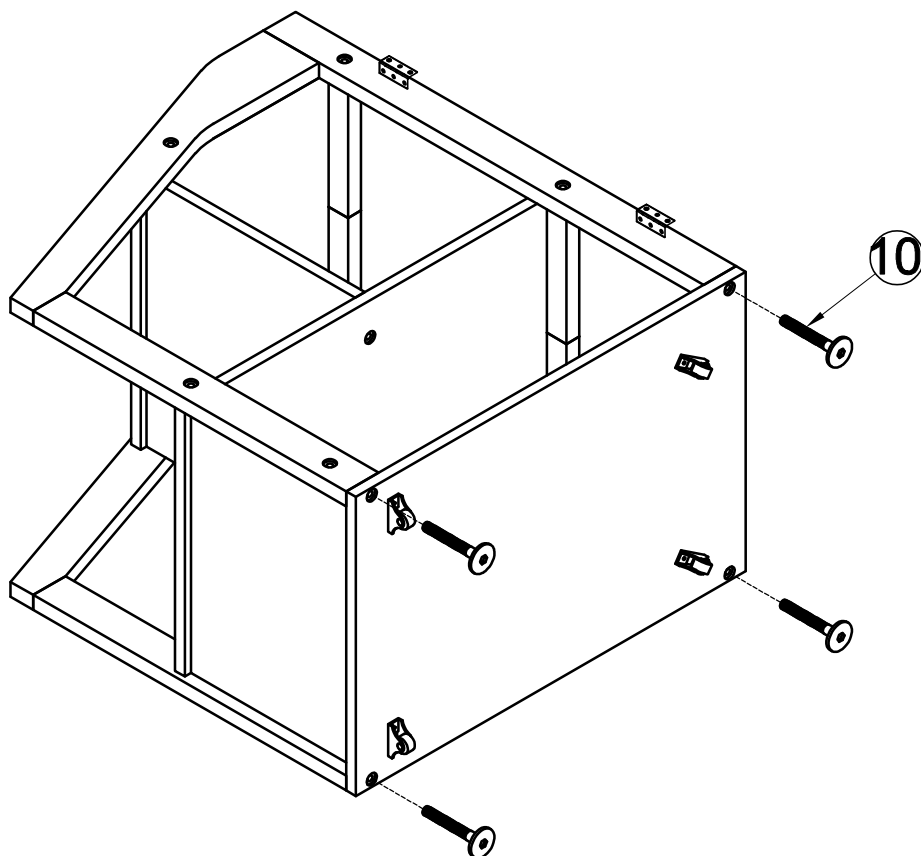
Following below illustration:

-Using hardware #10 connect Frame(completed on step 6-6) with L1 Panel (Completed on step 6-6)

10



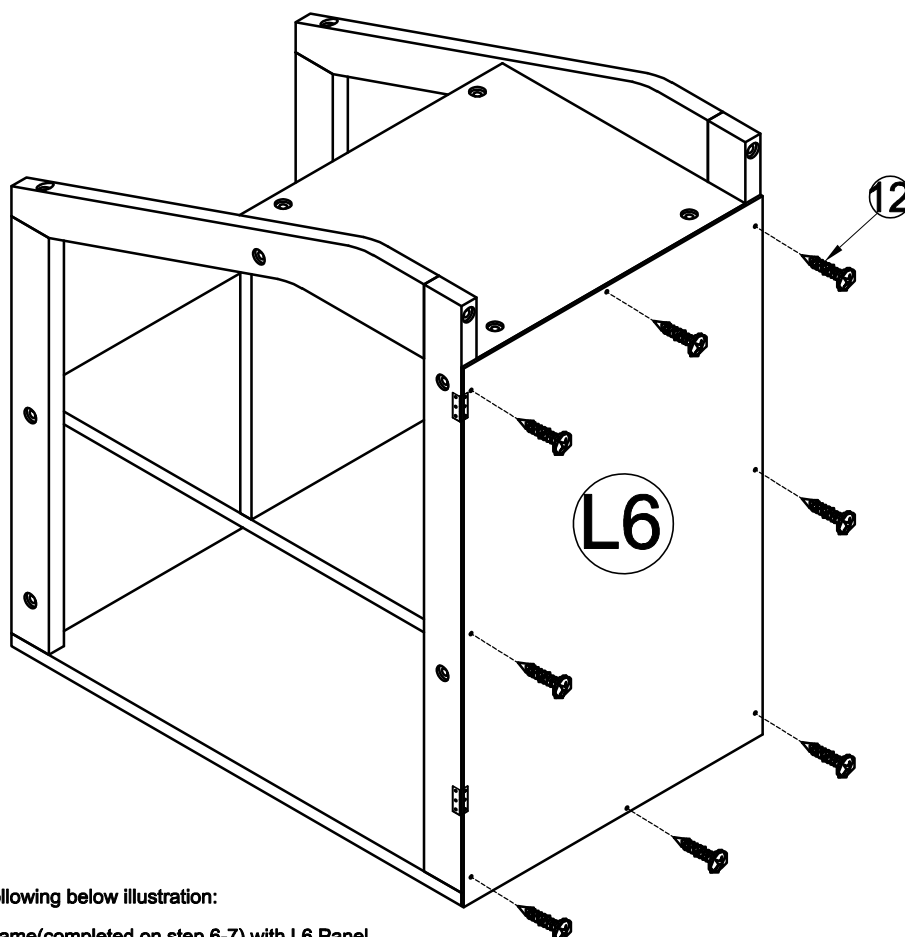
4pcs



12



8pcs




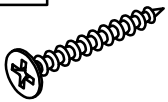
STEP 6-8:

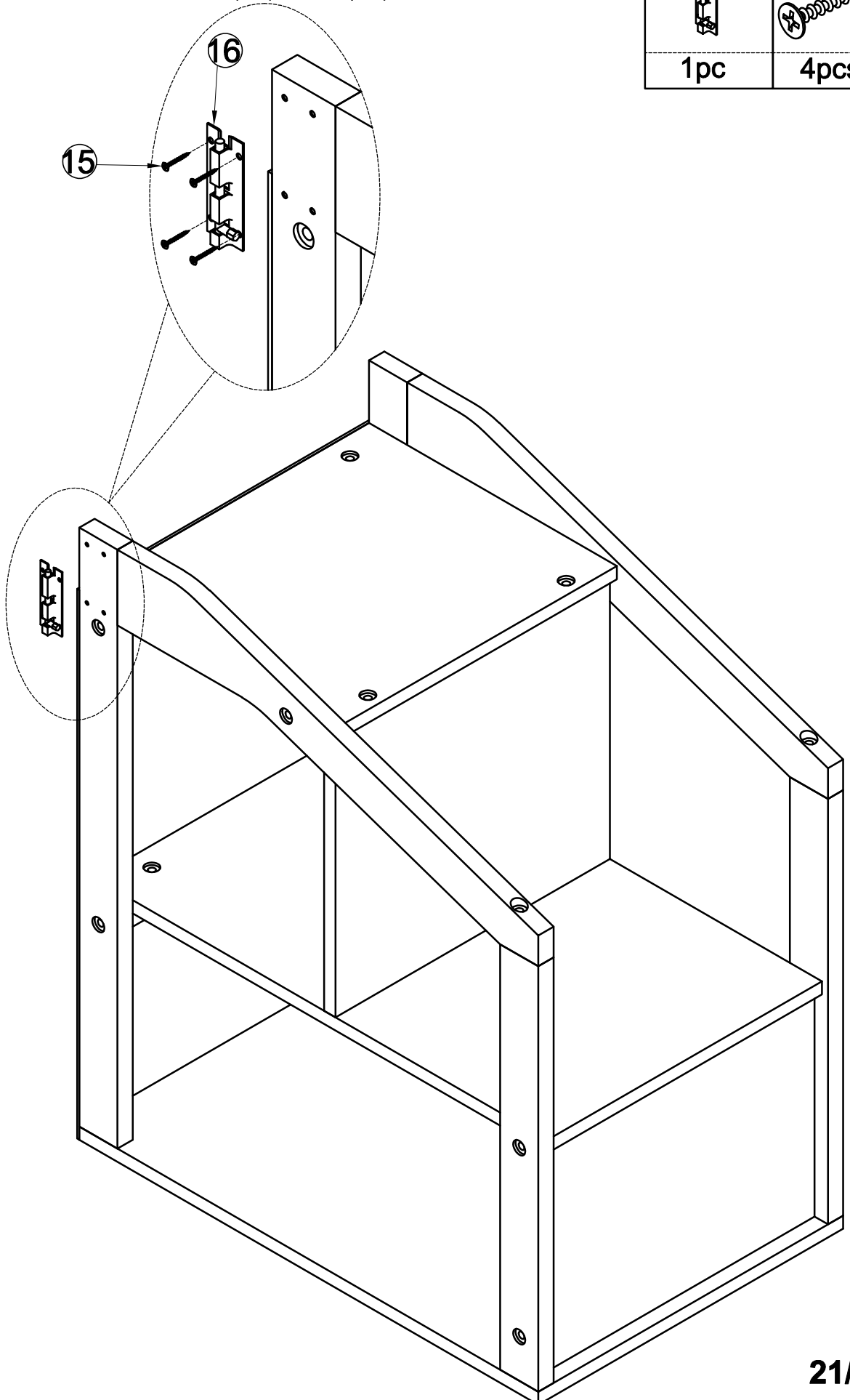
Following below illustration:

-Using hardware #12 connect Frame(completed on step 6-7) with L6 Panel

STEP 6-9: Following below illustration:

Using hardware #15 connect Stair latch #16 with Frame(Completed on step 6-8)

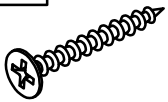
16	15
	
1pc	4pcs



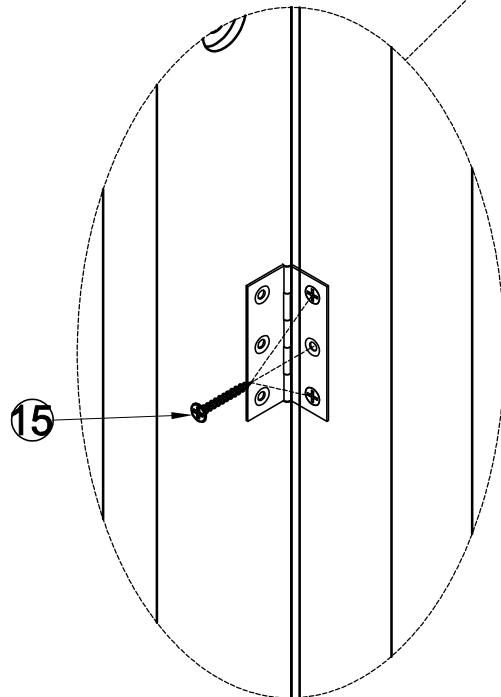
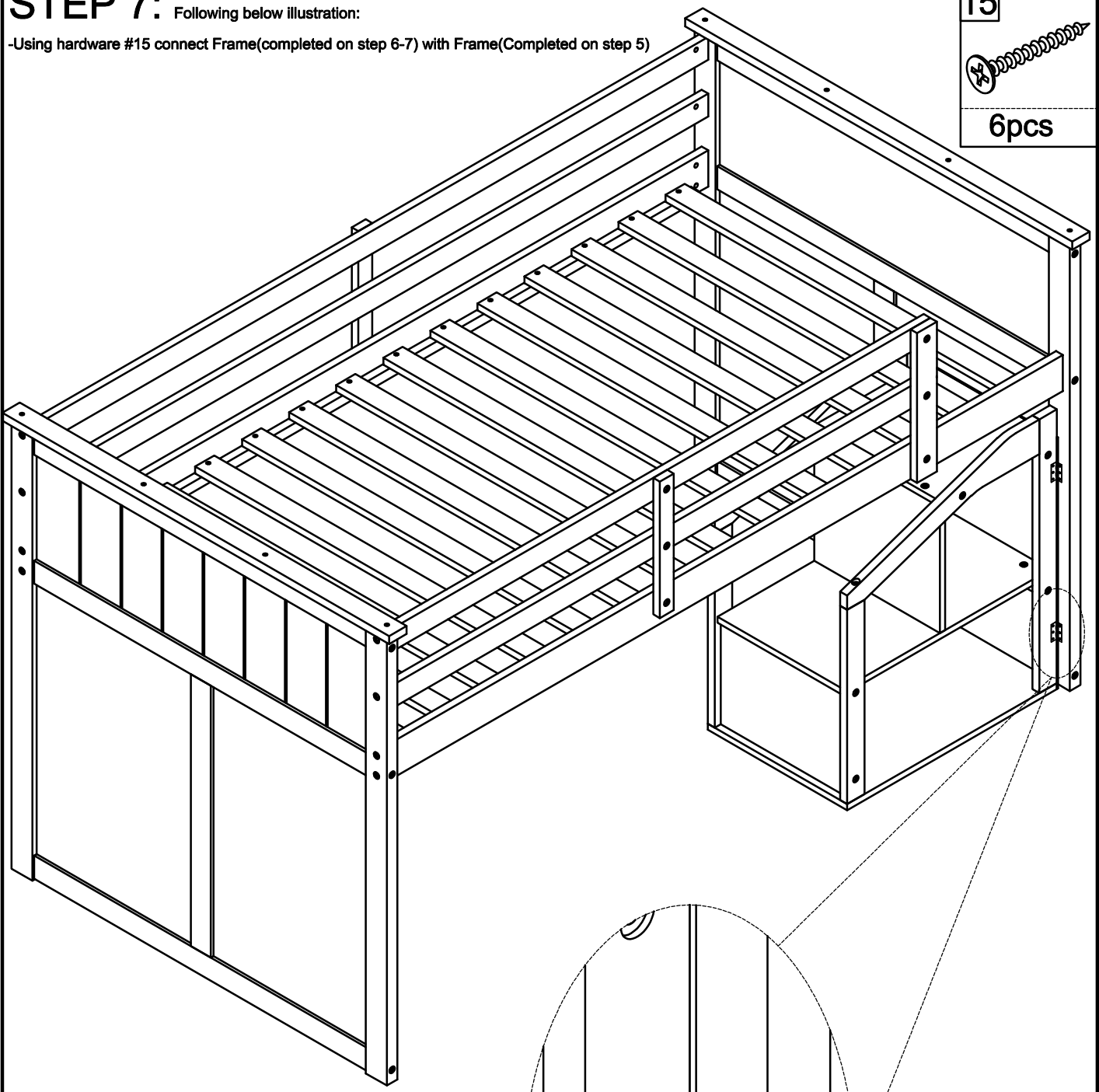
STEP 7: Following below illustration:

-Using hardware #15 connect Frame(completed on step 6-7) with Frame(Completed on step 5)

15





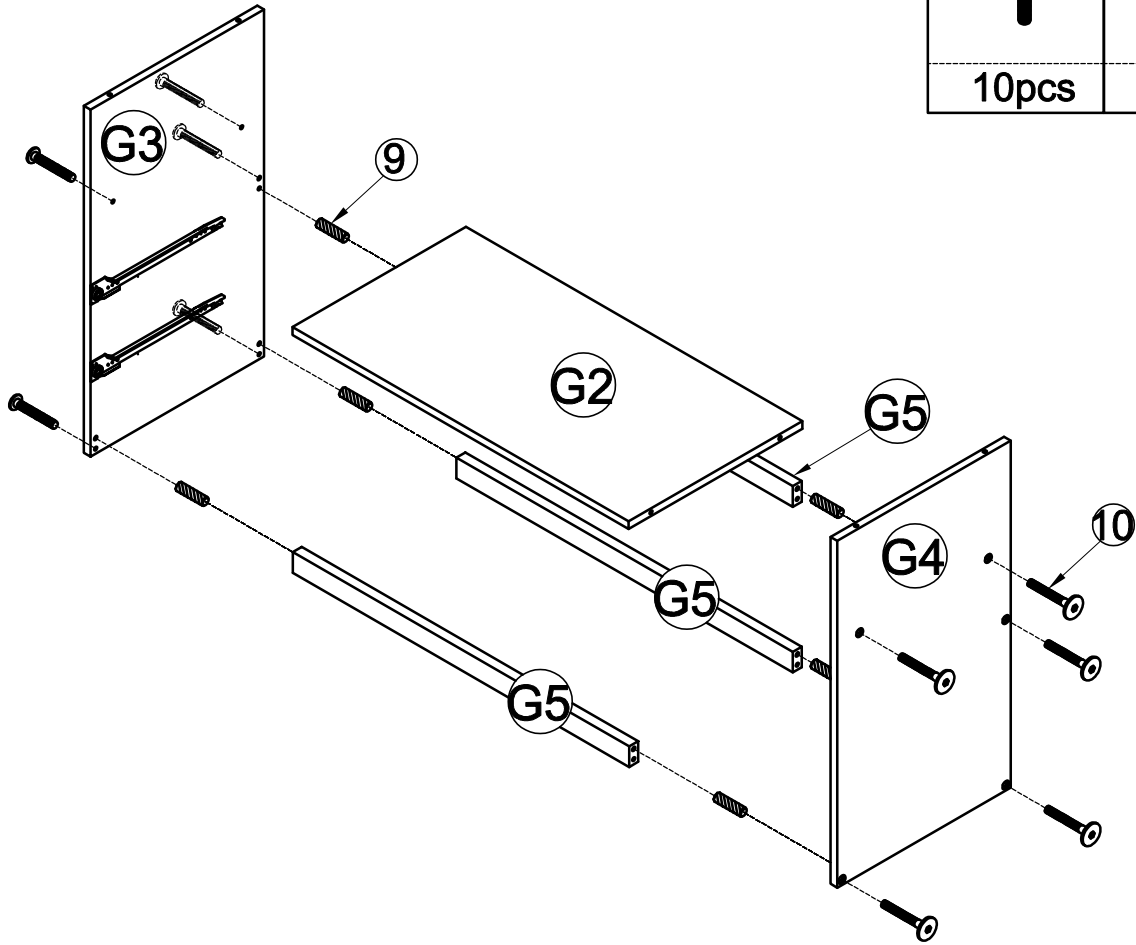
6pcs



STEP 8-1: Following below illustration:


-Using hardware #10 and dowel #9 connect Side Panels G3,G4 with G2 Panel and Wood Bars G5(x3)

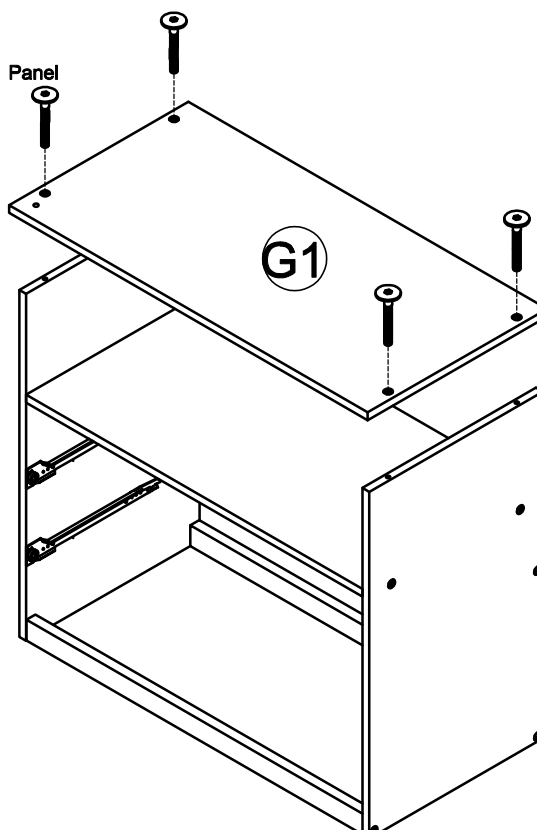
10		9	
10pcs		6pcs	



STEP 8-2: Following below illustration:

-Using hardware #10 connect Frame(completed on step 8-1)with G1 Panel

10	
4pcs	



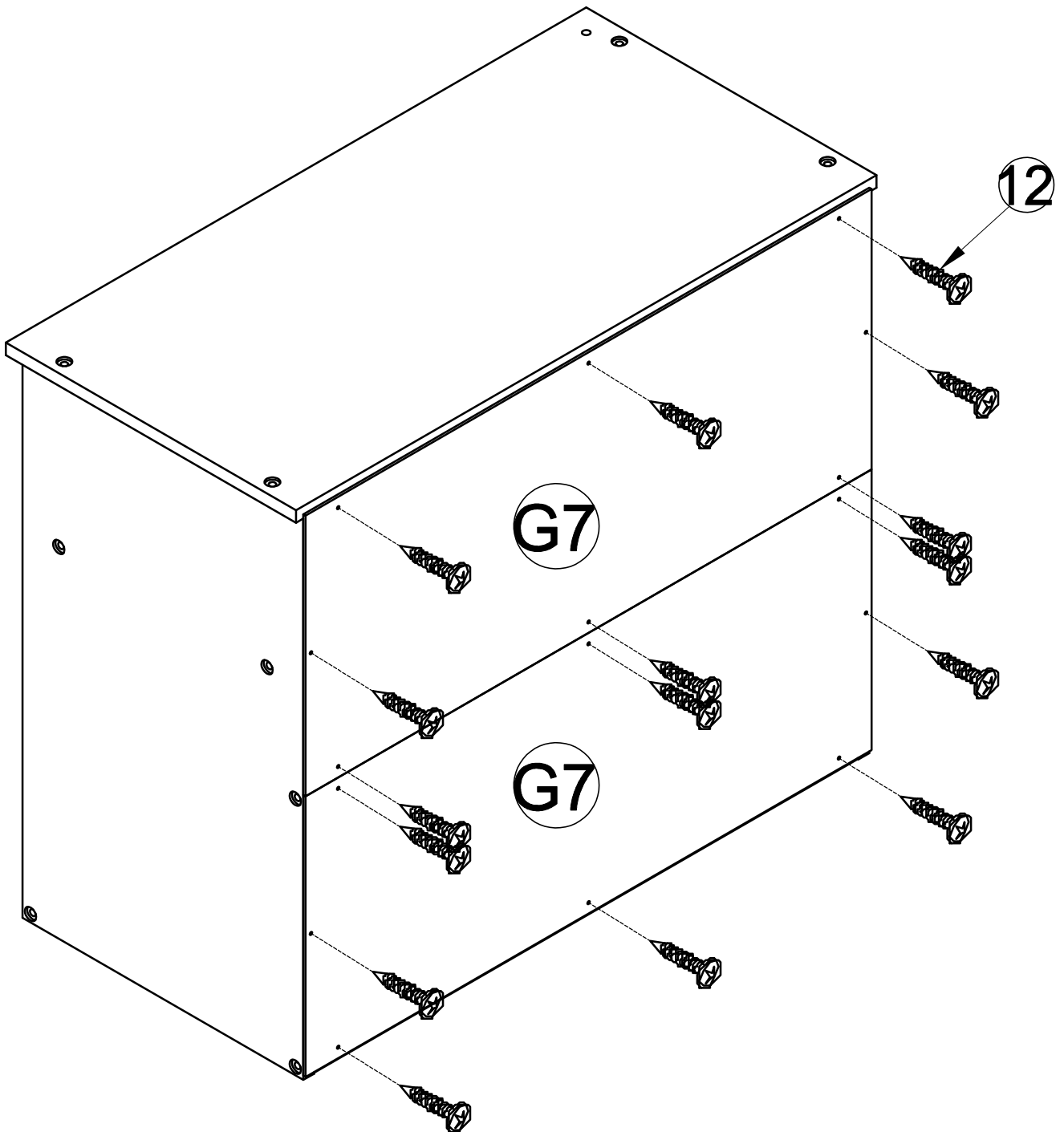
STEP 8-3: Following below illustration:

-Using hardware #12 connect Frame(completed on step 8-3)with G7(x2) Panels

12

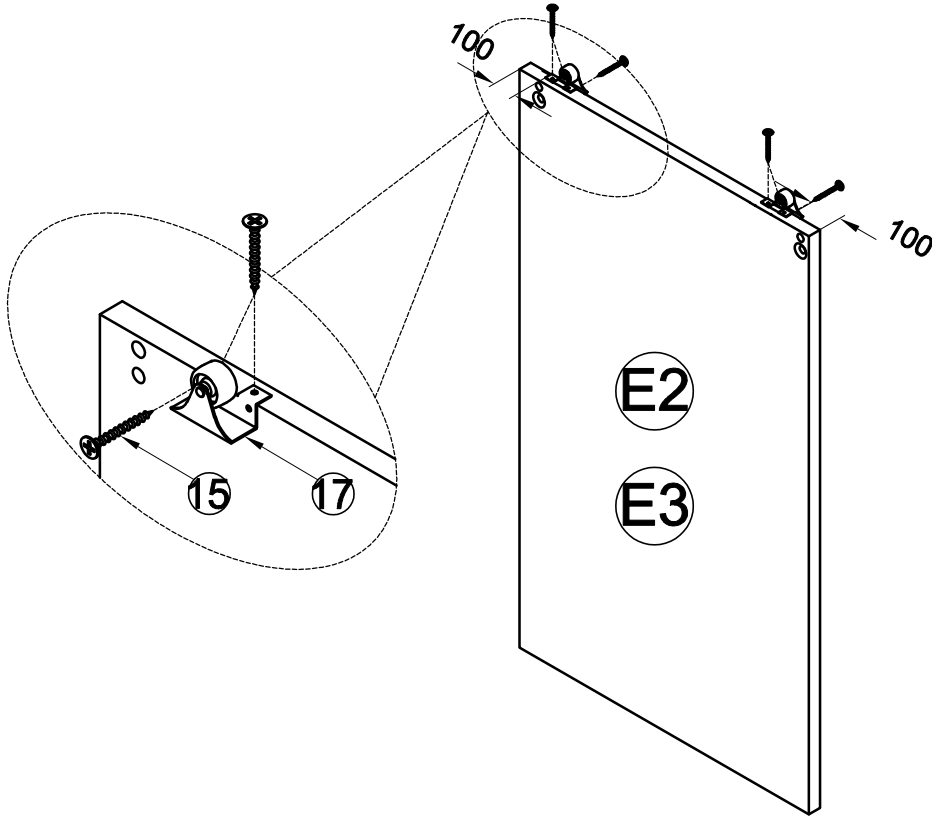




16pcs



STEP 9-1: Following below illustration:

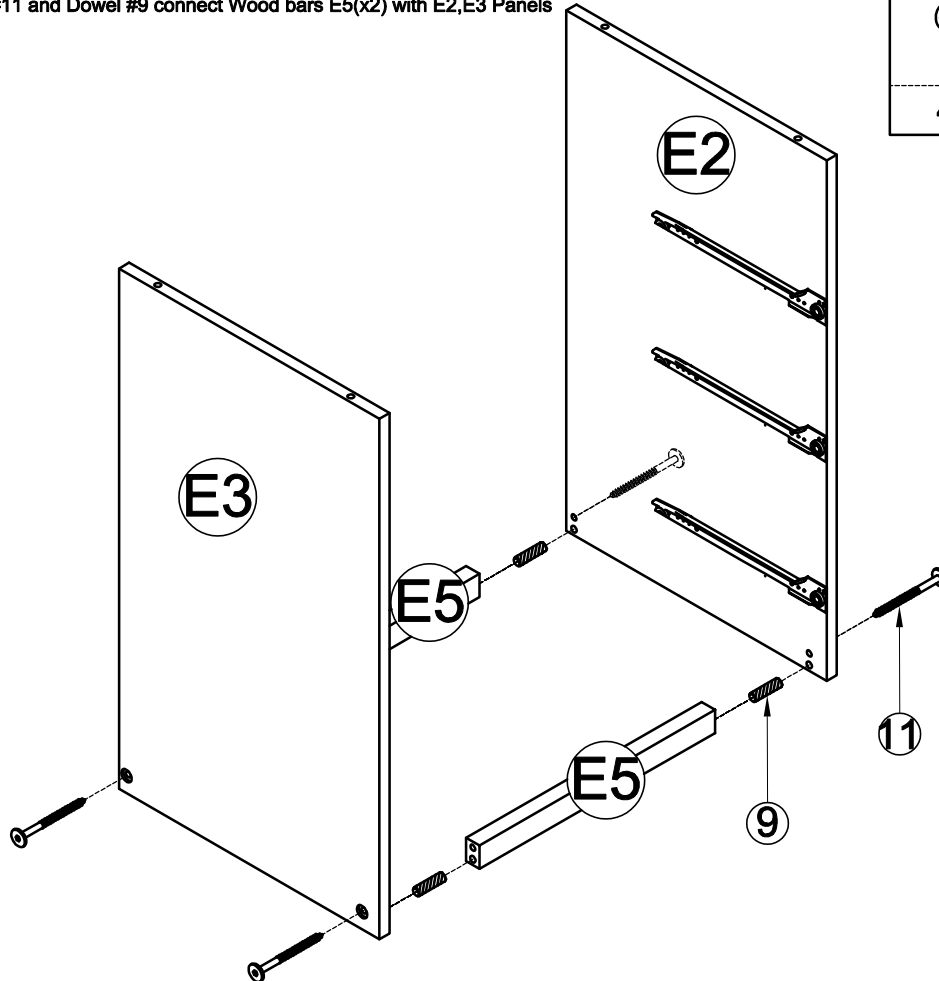
-Using hardware #15 connect Wheels #17 with E2,E3 Panels


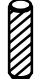


17	15
	
2x2(pcs)	2x6(pcs)

STEP 9-2: Following below illustration:

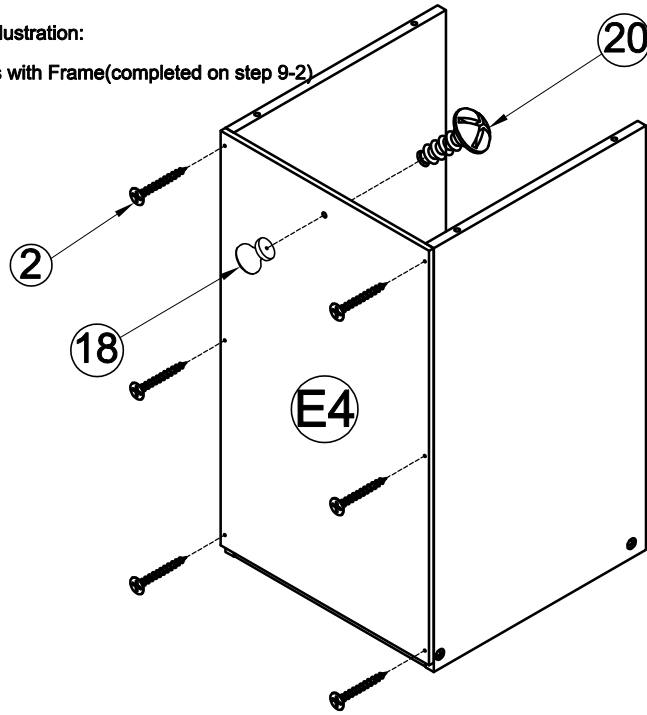
-Using hardware #11 and Dowel #9 connect Wood bars E5(x2) with E2,E3 Panels



11	9
	
4pcs	4pcs

STEP 9-3: Following below illustration:

-Using hardware #2,#18,#20 connect E4 Panels with Frame(completed on step 9-2)



2



6pcs

20



1pc

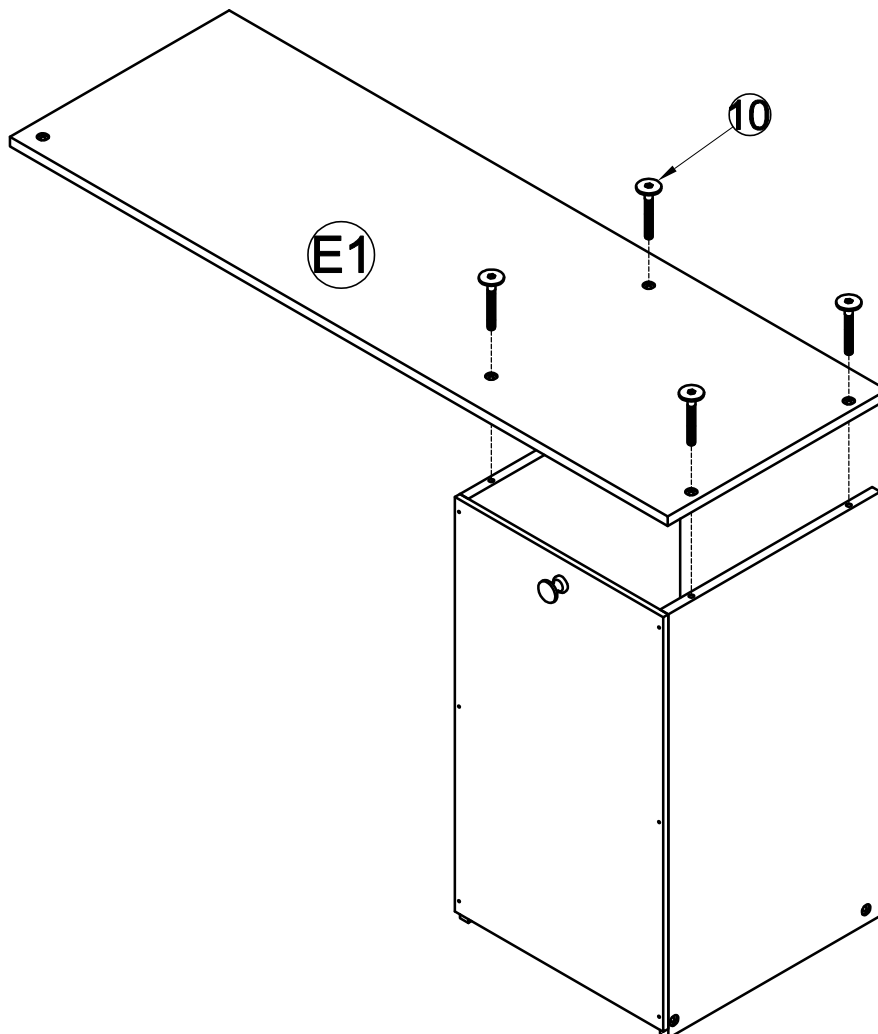
18



1pc

STEP 9-4: Following below illustration:

-Using hardware #10 connect Frame(completed on step 9-3)with E1 Panel





10

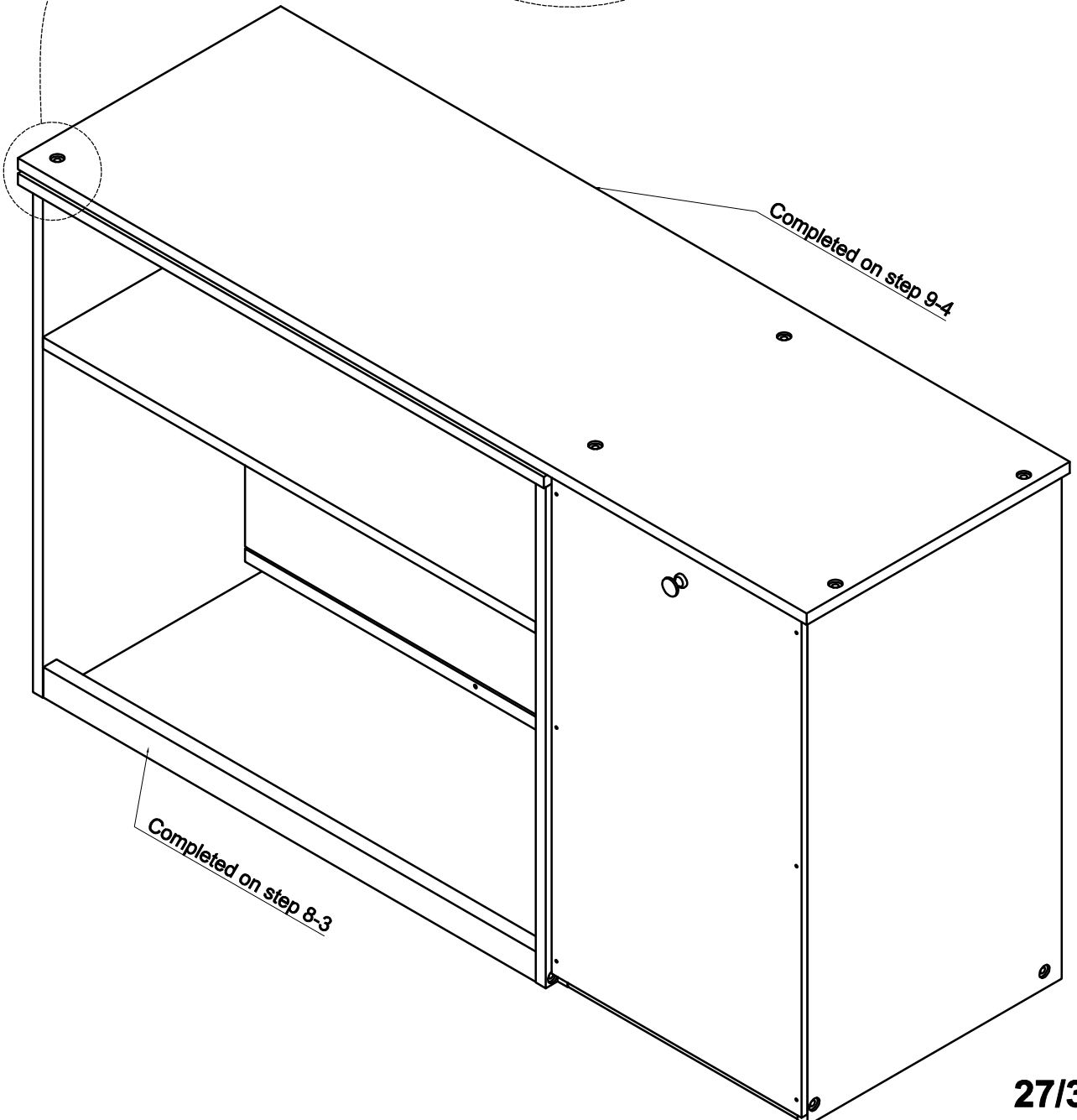
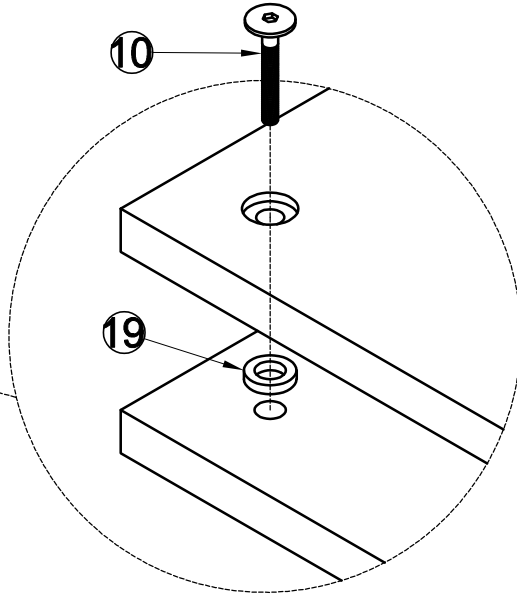


4pcs

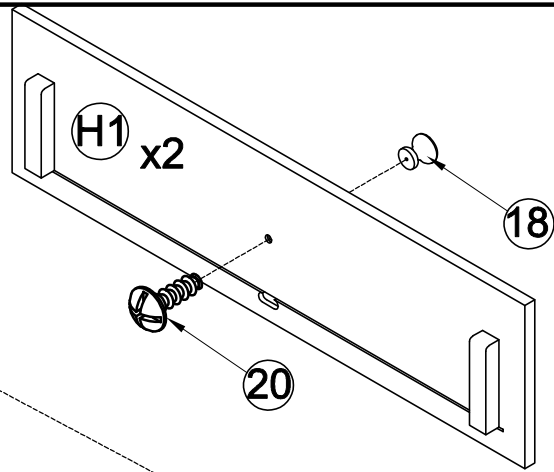
STEP 10: Following below illustration:

Using hardware #10,#19 connect Frame (completed on step 8-4) with Frame(completed on step 9-4)

19	10
	
1pc	1pc



STEP 11-1:



20



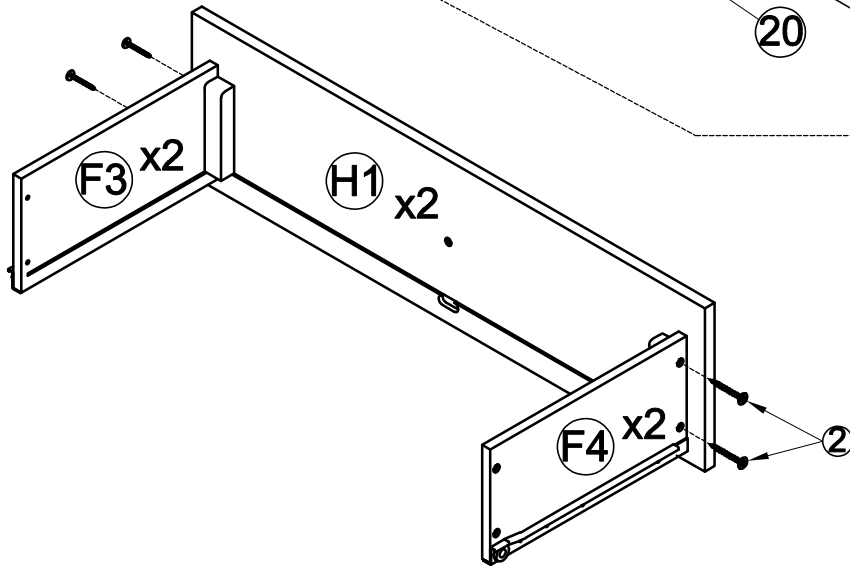
2x1pcs

18



2x1pcs

STEP 11-2:

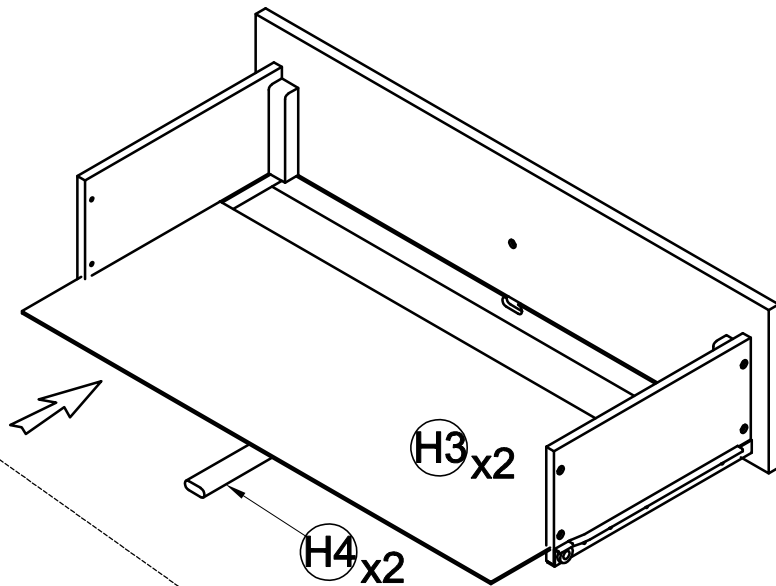


2

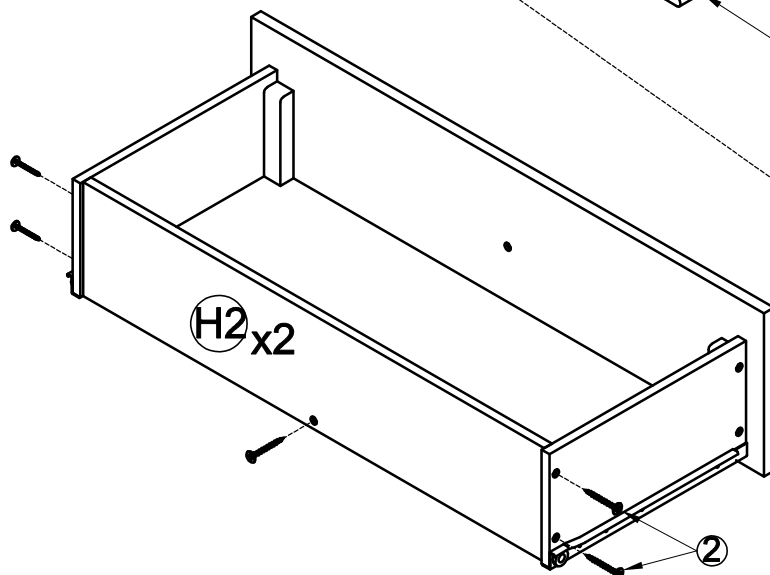


4x2pcs

STEP 11-3:



STEP 11-4:

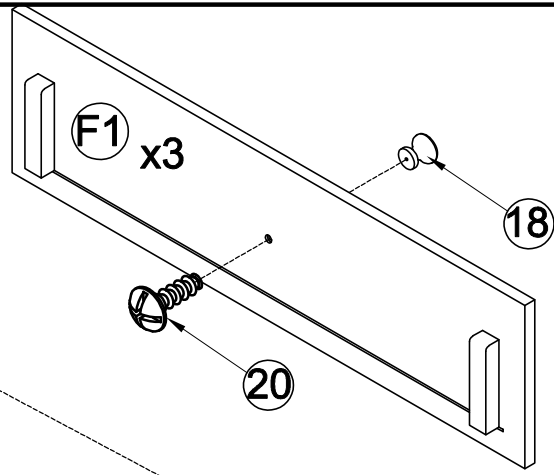


2



5x2pcs

STEP 12-1:



20



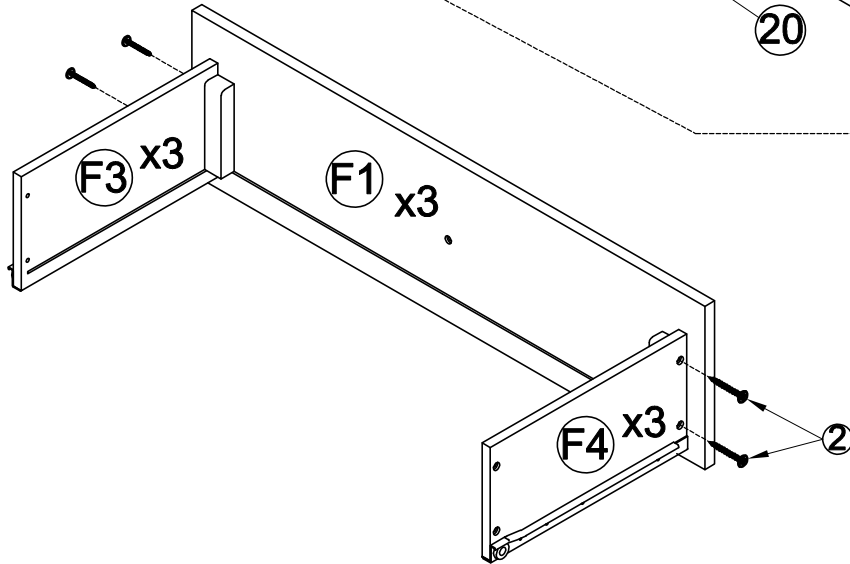
3x1 pcs

18

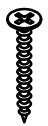


3x1 pcs

STEP 12-2:

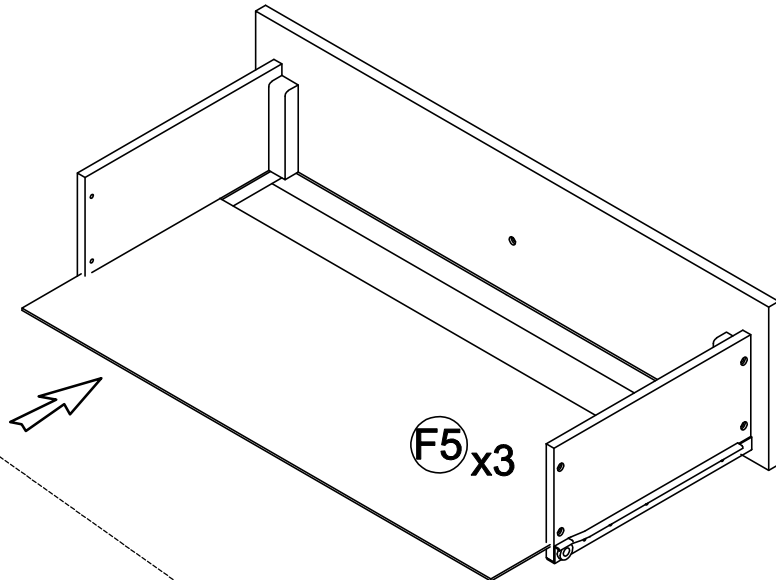


2

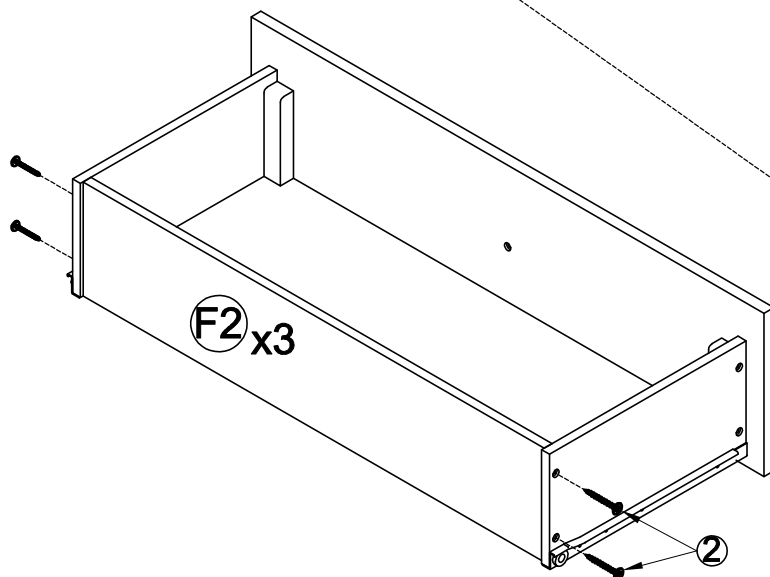


4x3 pcs

STEP 12-3:



STEP 12-4:

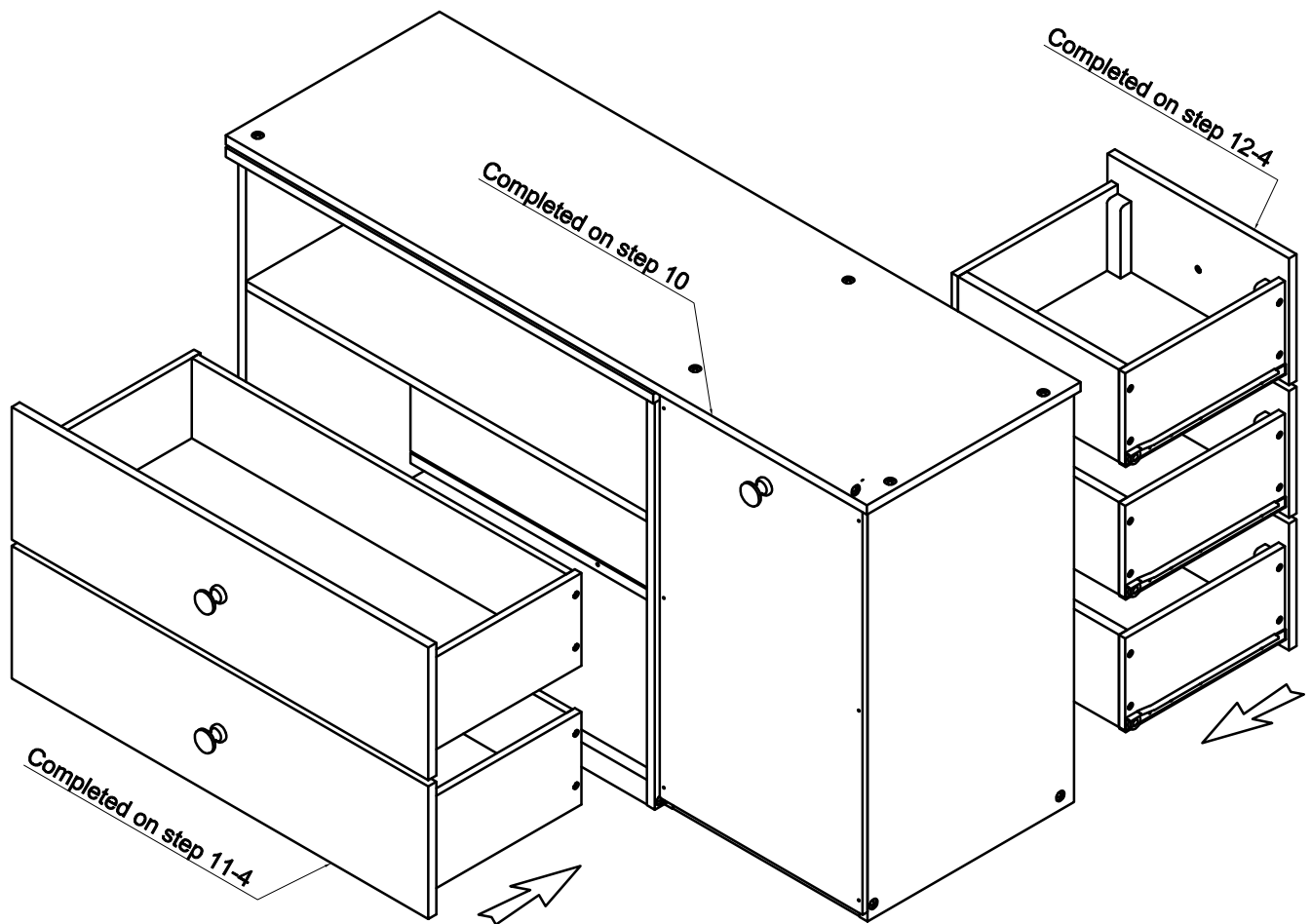


2

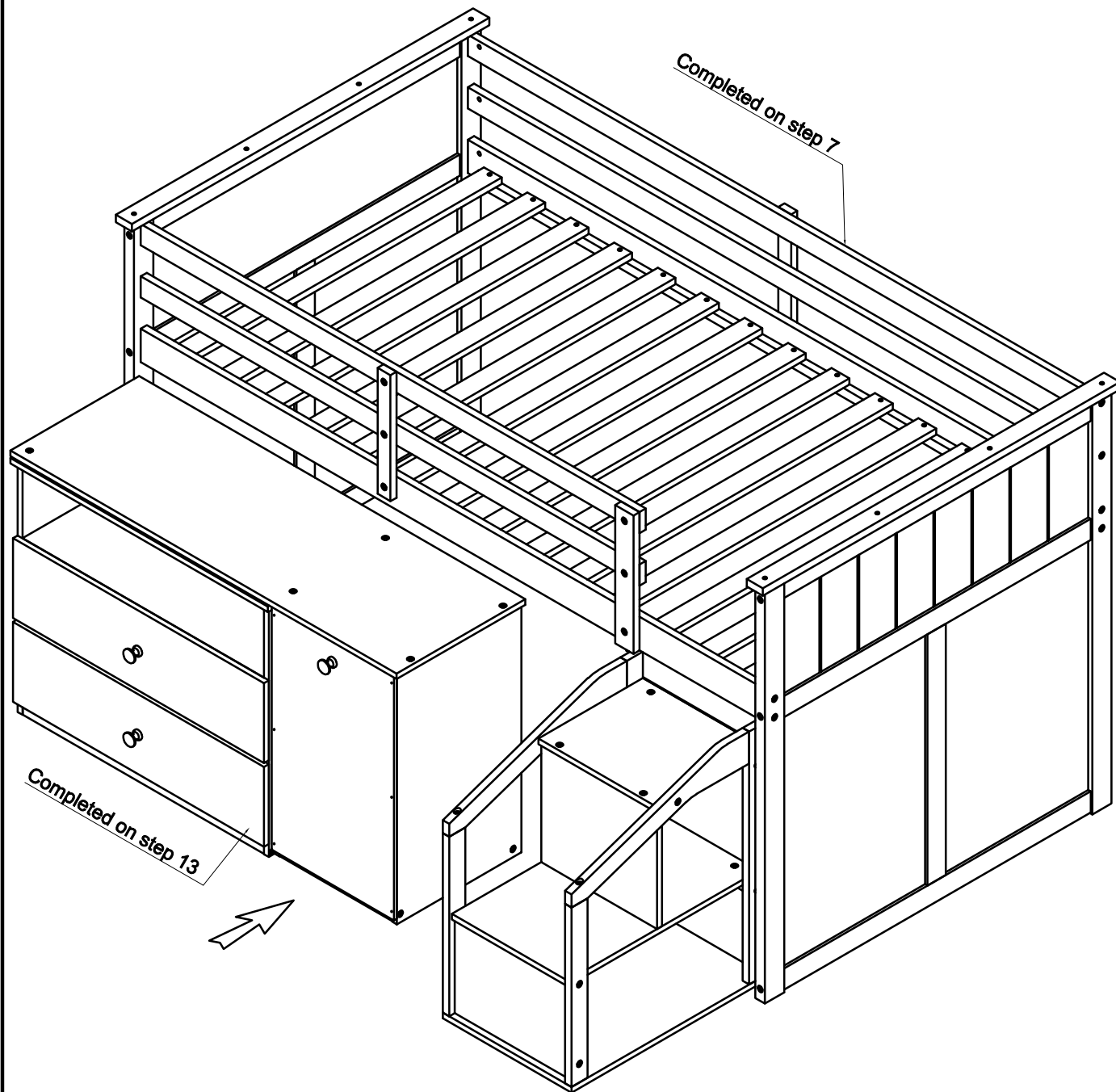


4x3 pcs

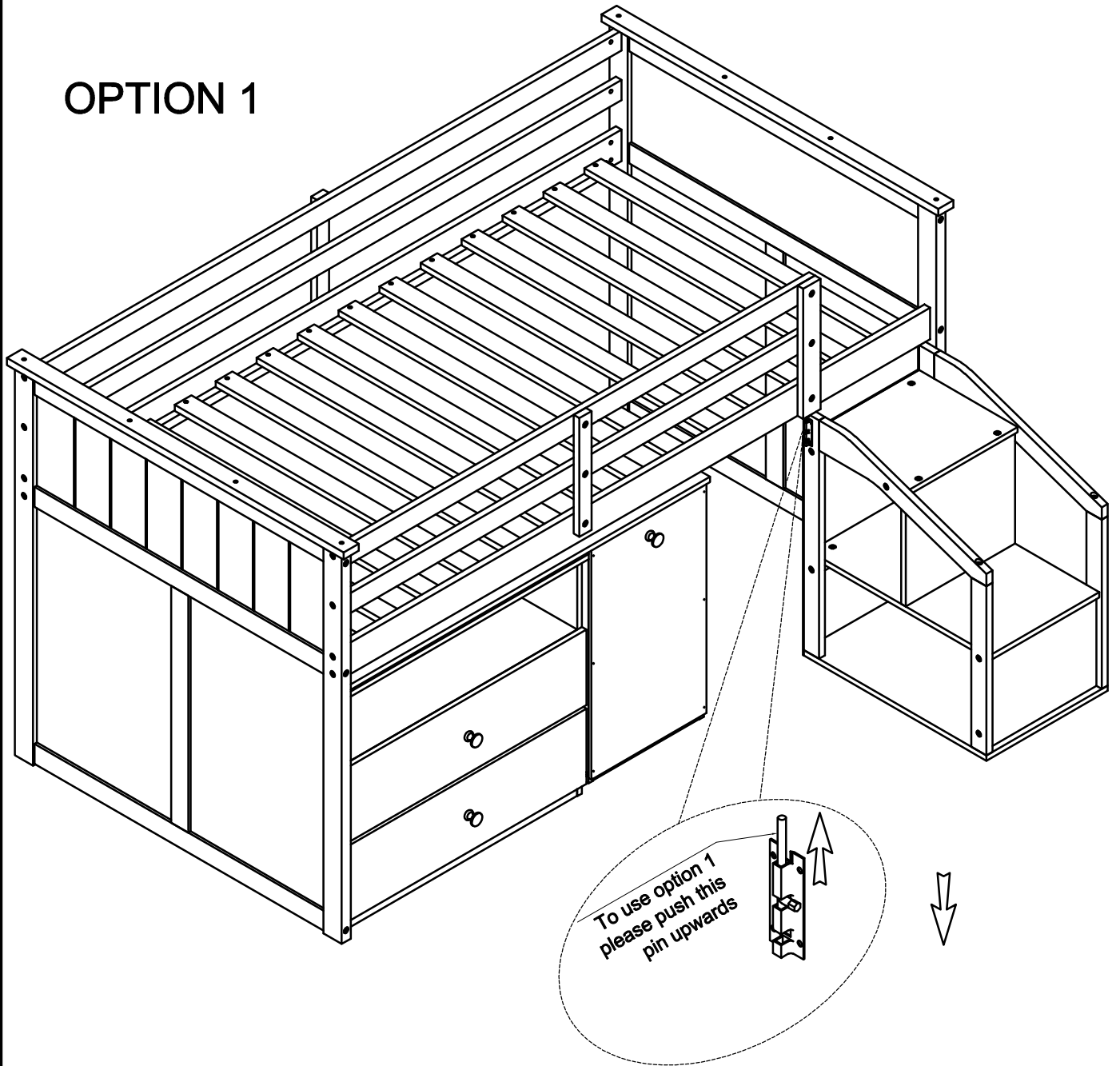
STEP 13: Push the Drawer into place



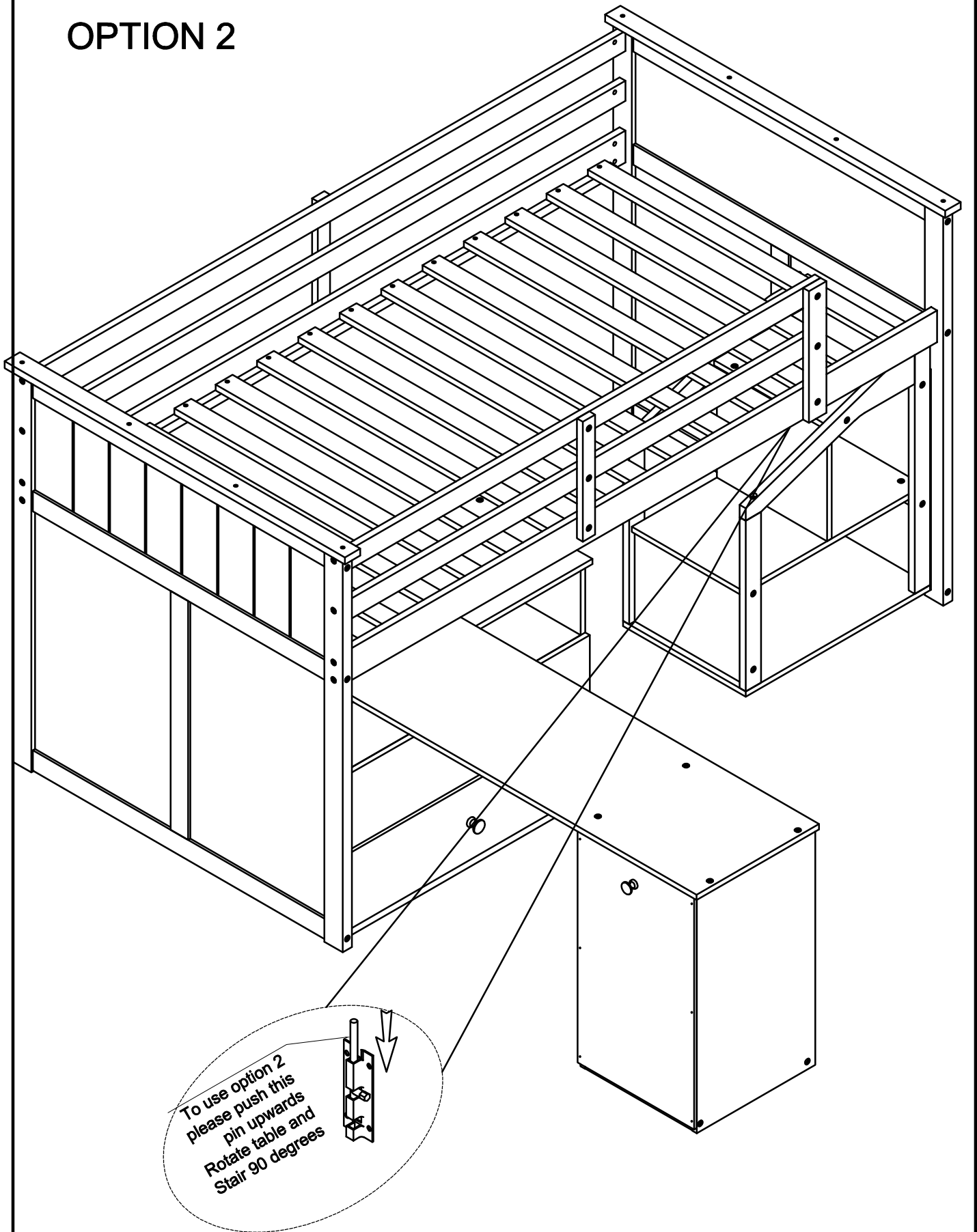
STEP 14: Push the assembly into place



OPTION 1



OPTION 2



To use option 2
please push this
pin upwards
Rotate table and
Stair 90 degrees