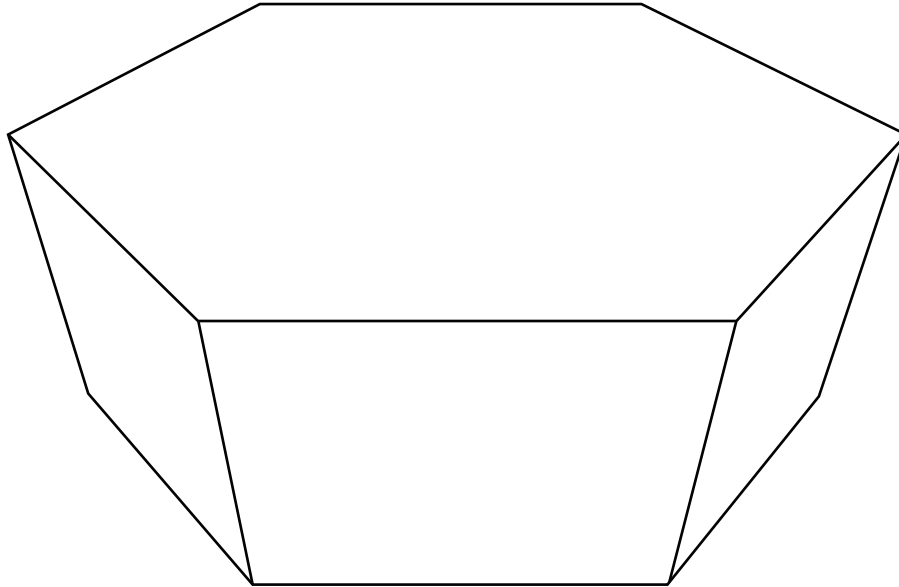


41" Hexagon Concrete Table

INSTRUCTION MANUAL



Keep the instructions for future reference



OUR LOVE FOR NATURAL LIFE

Daily Maintenance Instructions

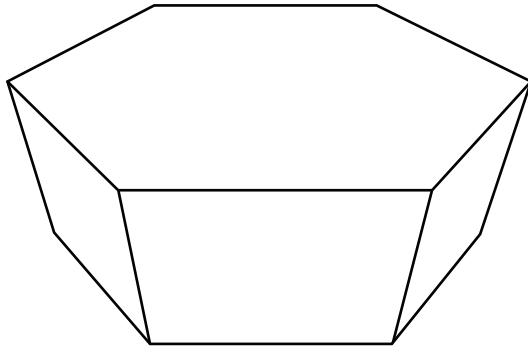
Questions , problems , missing parts ?

Before returning to your retailer , our exceptional customer service is available

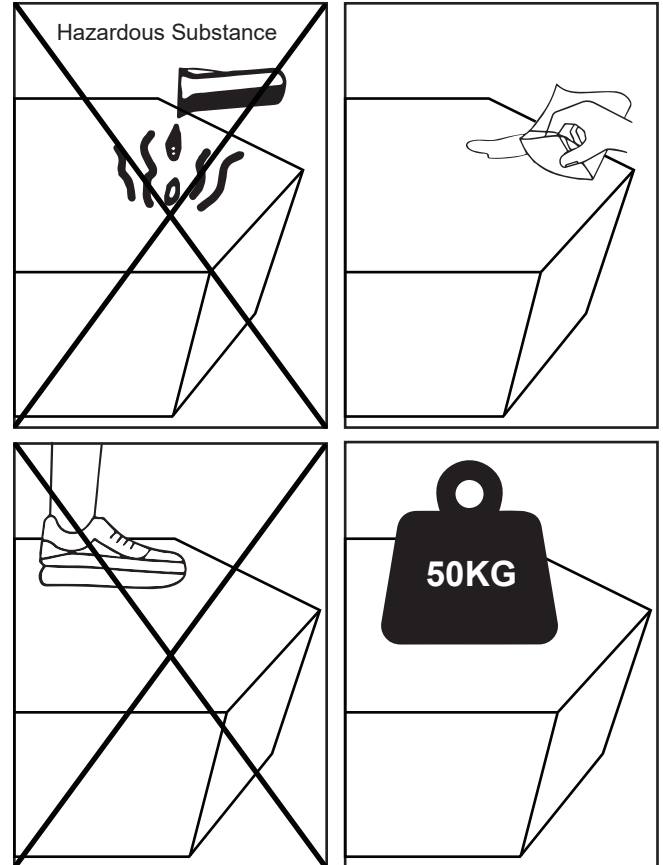
Email us at service@u-pha.com.

We will offer you a best solution as soon as possible

Daily Maintenance Instructions



This is not solid wood!



Daily Maintenance Instructions



Dust Removal

Please wipe with a damp cloth or rinse with water.



Daily Cleaning

Please clean with neutral detergent.



Scratches Avoided

Please carry the product carefully to avoid contact with sharp or hard objects, which may cause damages or scratches.



Scratch Repair

Please use the touch up paint (if have) to repair slight scratches.



Hazardous Substance Avoided

Please avoid contact with strong acid or alkali, if spilled accidentally, please rinse with water immediately.



Safety Reminder

Please pay attention to the weight capacity and avoid children jumping on the product.



Warm Reminder

It is recommended to store the product when not in use (over one month), protecting the possible damage from harsh weather. Proper protection can prolong its life span.