

Ella Horizon White Cultured Marble 6 Panel Shower Wall Surround Package - 1

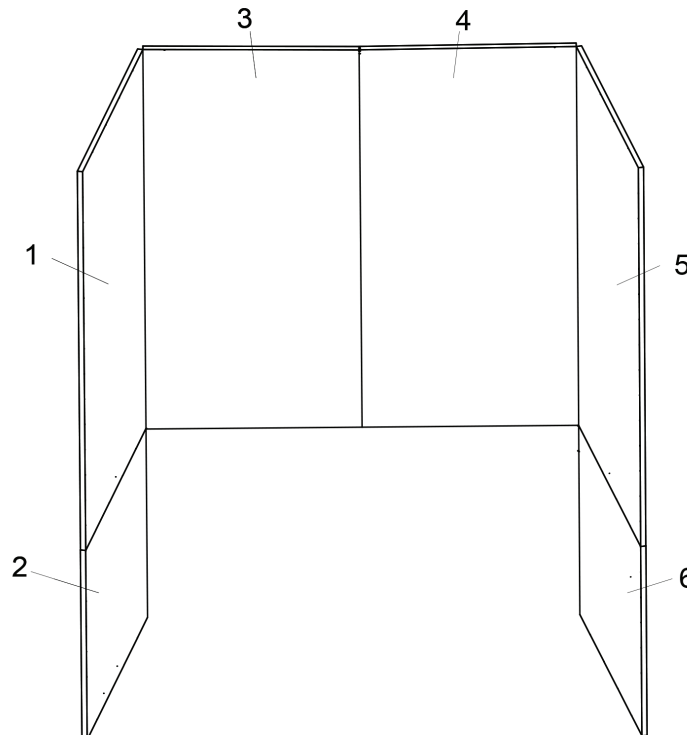
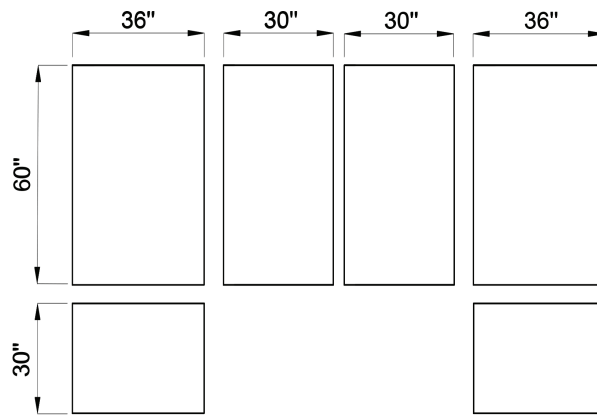
Package - 1 Content: 6 Shower Panels

Material: Cultured Marble
Color / Finish: White Matte
Pattern: Horizon
Wall Surround Size: 36"Wx60"Lx90"H
Panel Thickness: 1/4"
Net Weight: 144 lb.

Shipping Crate Size: 40"W x64"L x12"H
Shipping Weight: 169 lb.

Available Package Options:
Package-2: 6 wall panels & 3 shelves
Package-3: 6 wall panels, 3 shelves & 2" trims

Cultured marble panels and trims can be cut to size. The shelves or panels can be arranged in any layout. See installation manual for directions.





Ella Horizon White Cultured Marble 6 Panel Shower Wall Surround Package - 2

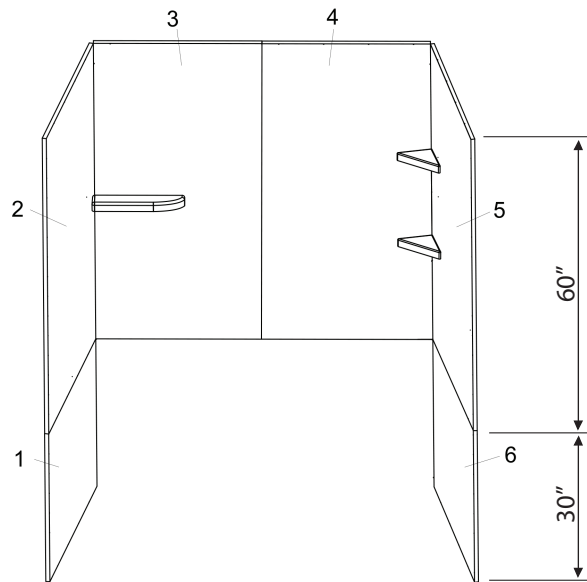
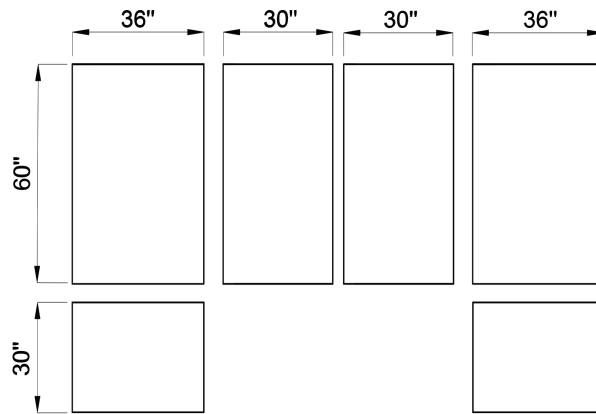
Package - 2 Content: 6 Shower Panels & 3 Shelves

Material: Cultured Marble
Color / Finish: White Matte
Pattern: Horizon
Wall Surround Size: 36"Wx60"Lx90"H
Panel Thickness: 1/4"
Net Weight: 153 lb.

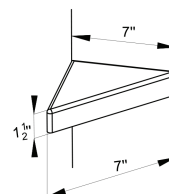
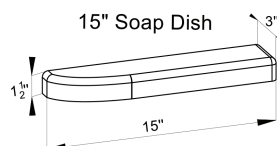
Shipping Crate Size: 40"W x64"L x12"H
Shipping Weight: 178 lb.

Available Package Options:
Package-1: 6 wall panels
Package-3: 6 wall panels, 3 shelves & 2" trims

Cultured marble panels and trims can be cut to size. The shelves or panels can be arranged in any layout. See installation manual for directions.



2x7" Corner Shelves



Ella Horizon White Cultured Marble 6 Panel Shower Wall Surround Package - 3

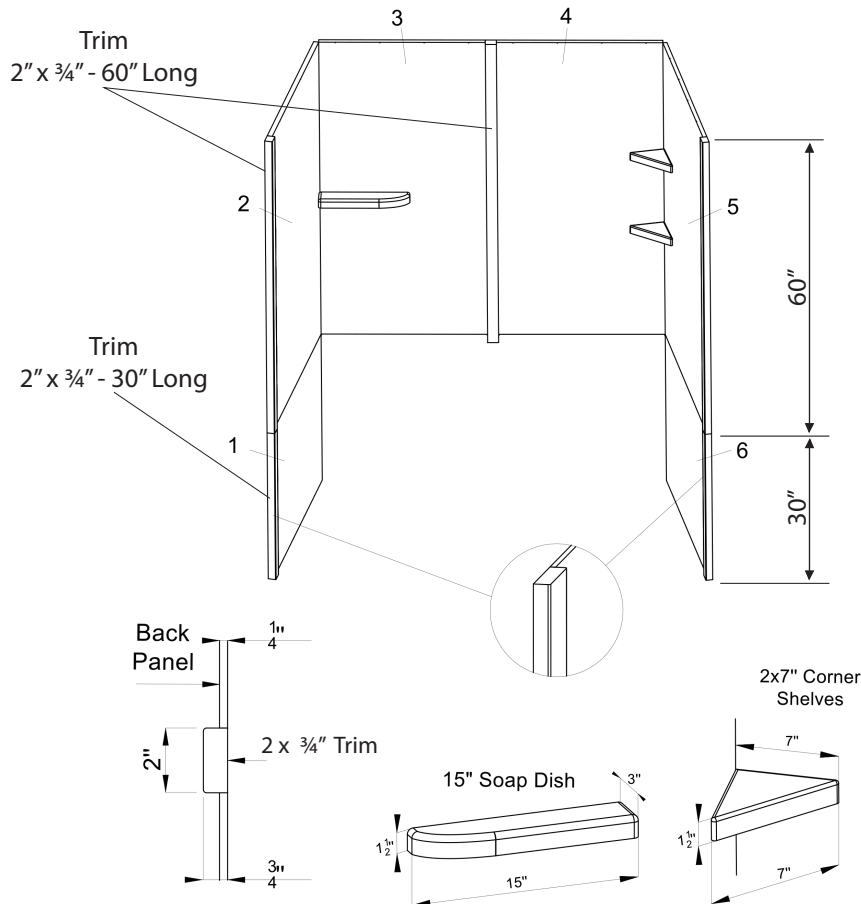
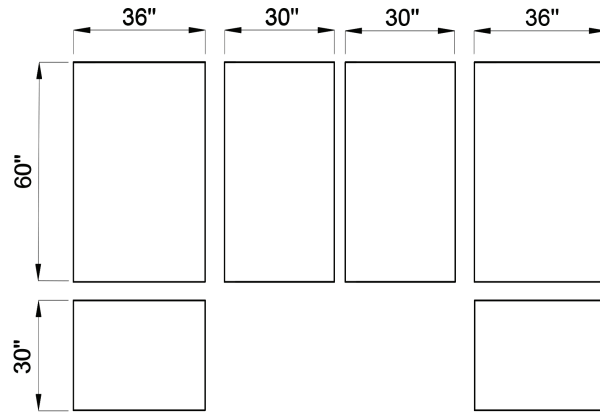
Package - 3 Content: 6 Wall Panels, 3 Shelves & 2" Trims
(three (2) 30"x 2" x 3/4", three (3) 60" x 2" x 3/4")

Material: Cultured Marble
Color / Finish: White Matte
Pattern: Horizon
Wall Surround Size: 36"Wx60"Lx90"H
Panel Thickness: 1/4"
Net Weight: 174 Lb.

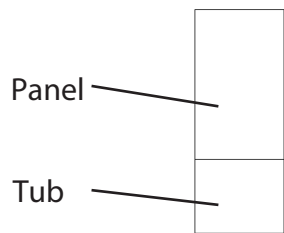
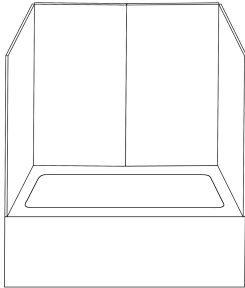
Shipping Crate Size: 40"W x64"L x12"H
Shipping Weight: 199 lb.

Available Package Options:
Package-1: 6 wall panels
Package-2: 6 wall panels & 3 shelves

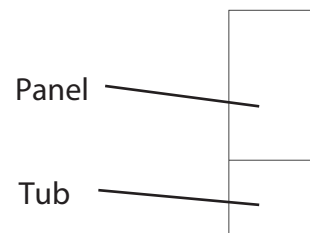
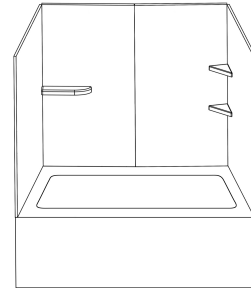
Cultured marble panels and trims can be cut to size. The shelves or panels can be arranged in any layout. See installation manual for directions.



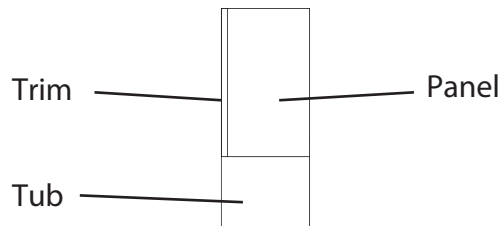
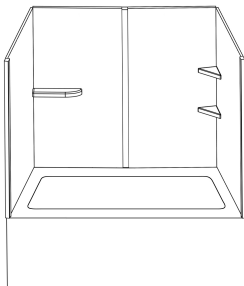
Package 1



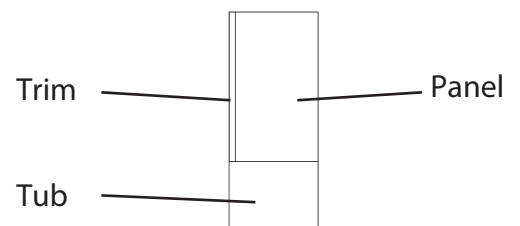
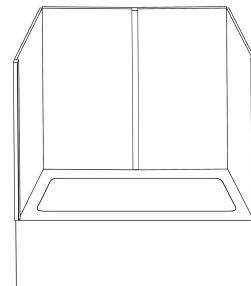
Package 2



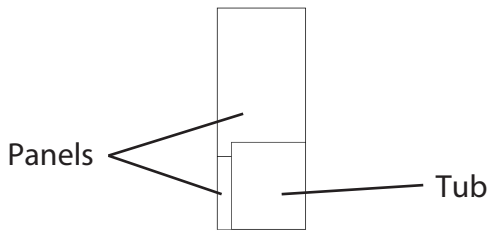
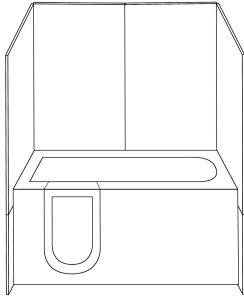
Package 3



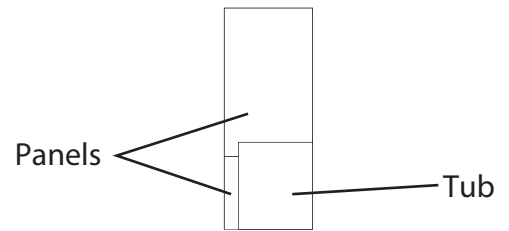
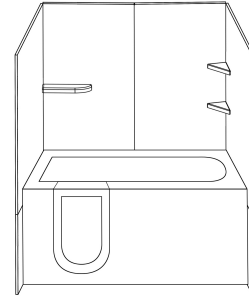
Package 4



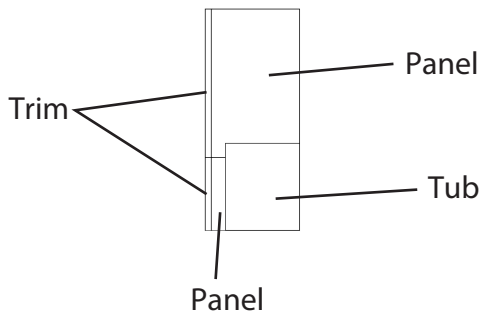
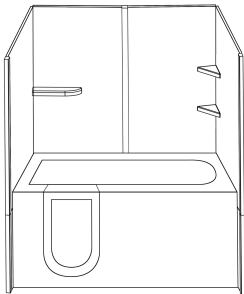
Package 1



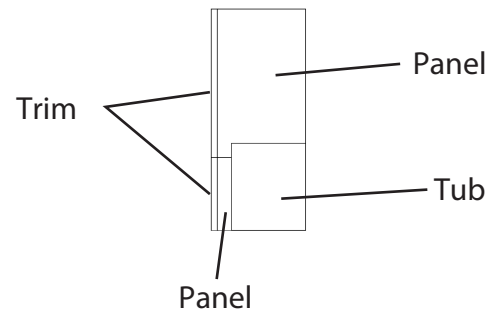
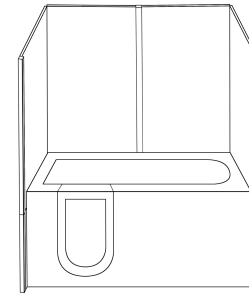
Package 2

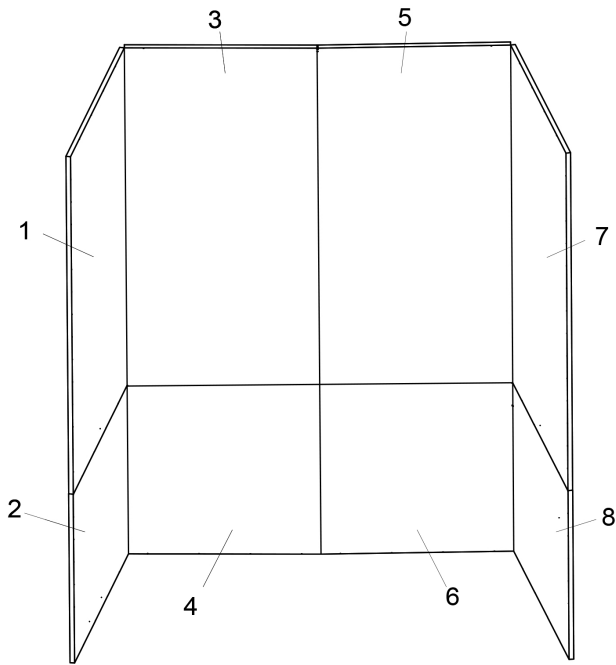


Package 1



Package 2





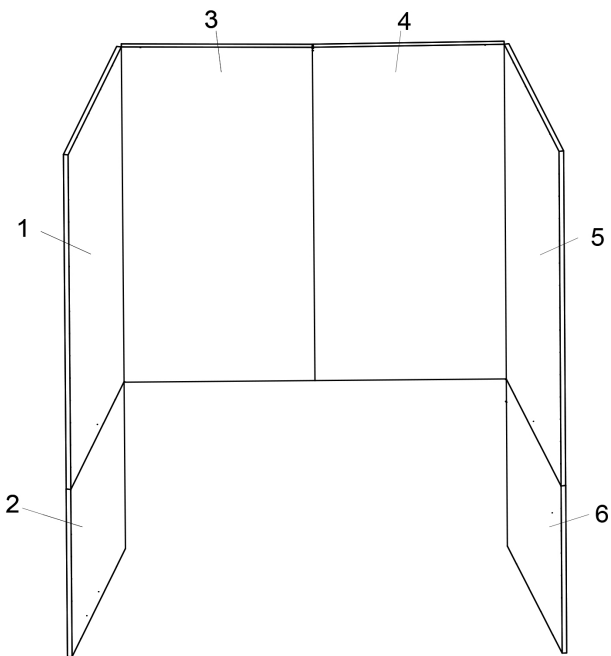
After the shower base is installed please follow the correct sequence of panel installation by referring to its respective drawing.

8 Piece

4 & 6, 3 & 5, 2 & 8, 1 & 7

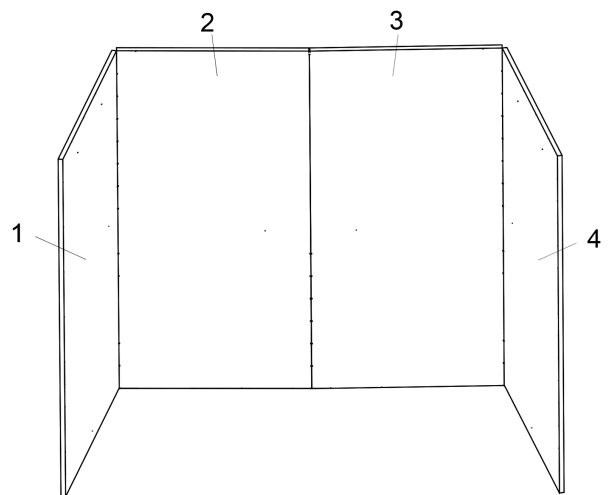
6 Piece

2 & 6, 3 & 4, 1 & 5



4 Piece

2 & 3, 1 & 4



Blade example

1. Circular Saw with a masonry/diamond blade
2. Hole saw or jig saw to cut holes for plumbing fixtures with drill
3. Saw horses
4. 2x4s for saw horses and bracing
5. Sandpaper (recommend using 80 grit) for sanding cut edges
6. Tape measure
7. Pencil
8. 24" level
9. Acetone
10. Dry rag
11. Hole saw or jig saw to cut holes for plumbing fixtures
12. 100% Silicone must be used for panel installation
13. Latex caulk for panel to drywall seams

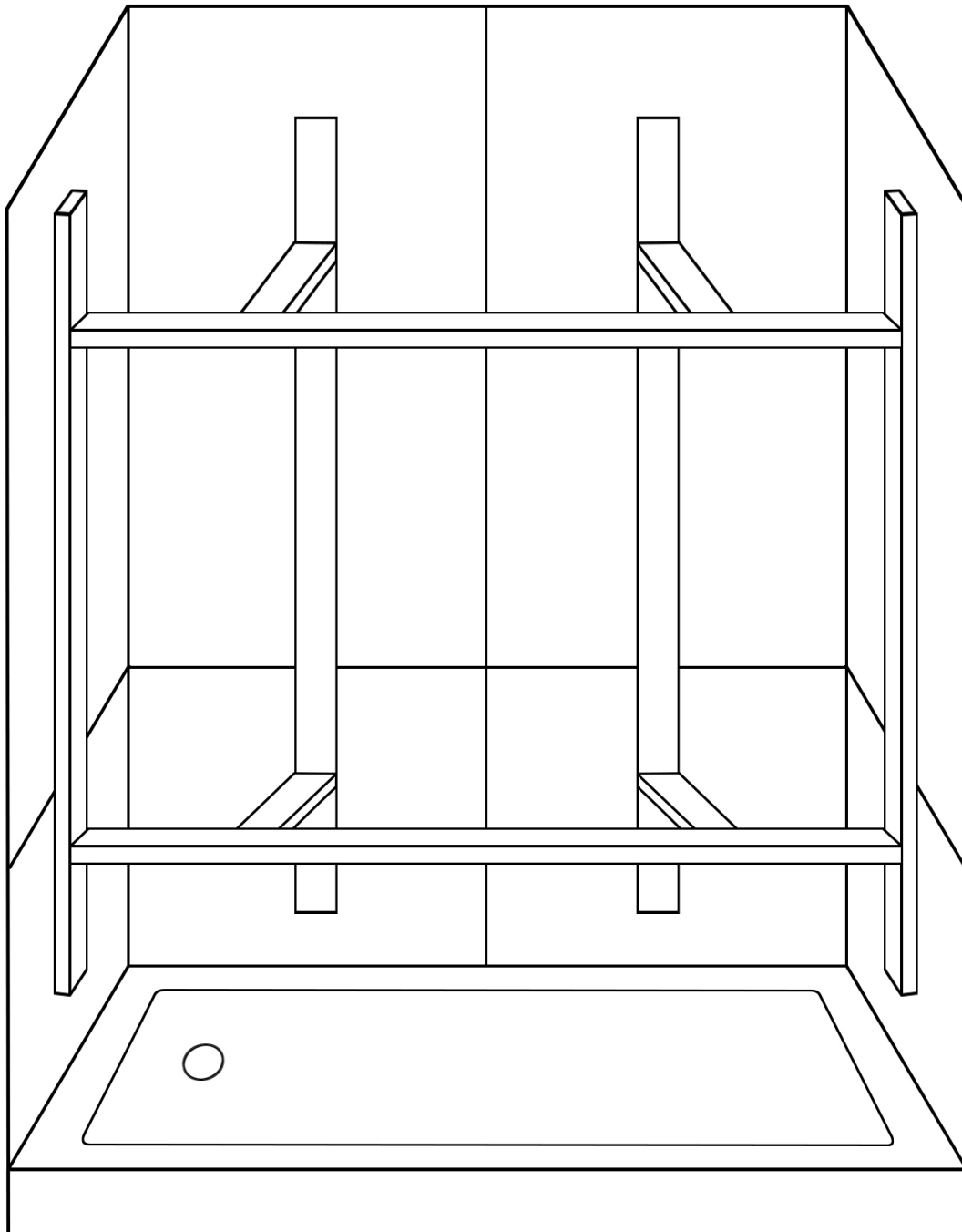


Silicone example



Bracing example:

Each panel must be braced for the 100% silicone to entirely cure. Please follow purchased silicone manufacturers directions.



Please see the below installation ideas for adding decorative or mosaic tile (marked A in drawings). Decorative tiles (not included) can be purchased by the customer and installed in between shower wall panels as a decorative accent strip or if the joint lines of panels do not meet customer's expectations. The wall panels do not have rounded off edges, so it is suggested to add mosaic or decorative tile strip (optional). By adding decorative tile between the panels can also be used to increase the size of the walls. For example, 6" mosaic tiles can be added between the 30" and 60" panels to achieve an 8' high shower wall. The 3/4" thick 2" trim also can be used as a separation piece between 2 panels and can be purchased separately if not initially included in your package.

