



HIGHLAND SMOKER

PRODUCT GUIDE GUÍA DEL PRODUCTO

MODEL | MODELO

15202031 - 15202031-63

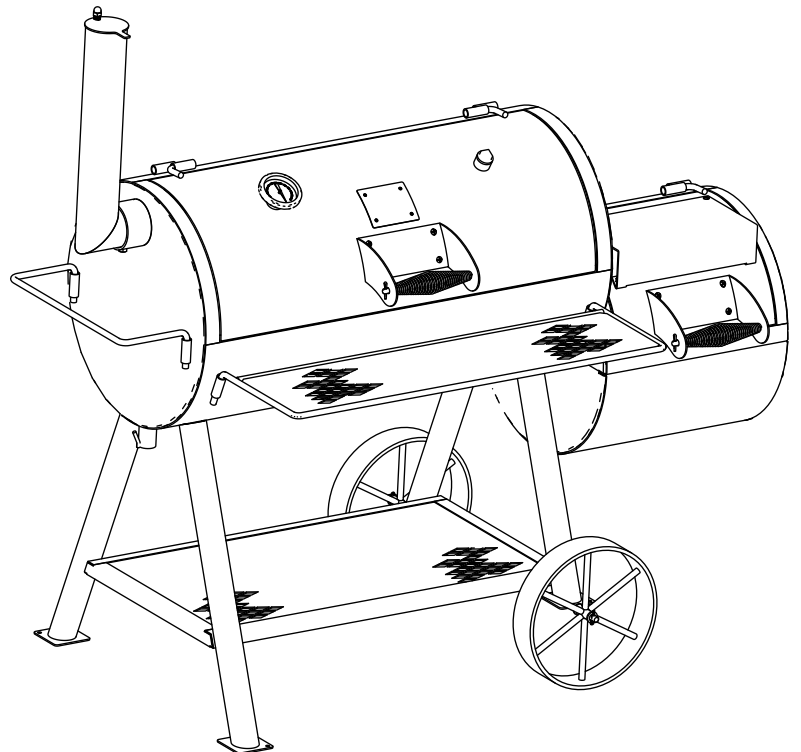
Serial number | Número de serie

See rating label on grill for serial number.

El número de serie se encuentra en la etiqueta de especificaciones de la parrilla.

If you have questions or need assistance during assembly, please call 1-888-430-7870.

Si tiene alguna pregunta o si Necesita ayuda durante el Ensamblado, llámenos Al 1-888-430-7870



Tools needed for assembly:

Phillips screw driver
Two adjustable wrenches
(Tools not provided)

Herramientas necesarias para el armado:

Destornillador Phillips
Dos llaves regulables
(Las herramientas no previstas)

TABLE OF CONTENTS

Product Record Information	1
Safety Symbols	2-3
Preparing to use your Smoker	3
Smoker Maintenance	3
Cooking Tips	3-4
Limited Warranty	5
Parts Diagram	10
Parts List	11
Assembly	12-18
Registration Card	19

This instruction manual contains important information necessary for the proper assembly and safe use of the appliance.

Follow all warnings and instructions when using the appliance.

INSTALLER/ASSEMBLER:



Leave this manual with consumer.

CONSUMER:



Keep this manual for future reference.

Safety Symbols

The symbols and boxes shown below explain what each heading means. Read and follow all of the messages found throughout the manual.

	WARNING	
<p>WARNING: Indicates a potentially hazardous situation which, if not avoided, could result in death or serious injury.</p>		

	CAUTION	
<p>CAUTION: Indicates a potentially hazardous situation or unsafe practice which, if not avoided, may result in minor or moderate injury.</p>		

	WARNING	
<p>CARBON MONOXIDE HAZARD Burning charcoal inside can kill you. It gives off carbon monoxide, which has no odor. NEVER burn charcoal inside homes, vehicles, or tents.</p>		



THIS GRILL IS FOR OUTDOOR USE ONLY.



	WARNING	
<p>Failure to follow all manufacturer's instructions could result in serious personal injury and/or property damage.</p>		

	CAUTION	
<p>Read and follow all safety statements, assembly instructions, and use and care directions before attempting to assemble and cook.</p>		

	CAUTION	
<p>Some parts may contain sharp edges! Wear protective gloves if necessary.</p>		

	CAUTION	
<p>THIS UNIT IS HEAVY! DO NOT attempt to assemble without a helper.</p>		

	WARNING	
<p>CALIFORNIA PROPOSITION 65 1. Combustible by-products produced when using this product contains chemicals known to the State of California to cause cancer, birth defects, or other reproductive harm. 2. This product contains chemicals, including lead and lead compounds, known to the State of California to cause cancer, birth defects or other reproductive harm. <i>Wash your hands after handling this product.</i></p>		

	WARNING	
<p>All surfaces can be hot during use. Use protection as required to prevent burning. Do not use this unit on or near combustible surfaces or structures such as wood decks, dry leaves or grass, vinyl or wood siding, etc. SEE OWNERS MANUAL FOR IMPORTANT SAFETY INFORMATION.</p>		

WARNING

Most surfaces on this unit are hot when in use. Use extreme caution. Keep others away from unit. Always wear protective clothing to prevent injury. Keep children and pets away. Do not move this unit during operation. Never substitute gasoline, kerosene or alcohol for charcoal starter. In some states, the use of charcoal starter is prohibited by law. In this case, paraffin-based starter cubes can be substituted for charcoal starter. Never use charcoal starter fluid with an electric starter.

WARNING

After a charcoal fire appears extinguished, unconsumed embers can retain heat for up to 24 hours, and if exposed to fresh air, can burst into flame unexpectedly. Any such embers outside the firebox of the grill pose a fire hazard and can ignite combustible surfaces such as wooden decks.

CAUTION

For residential use only. Do not use for commercial cooking.

WARNING

FAILURE TO READ AND FOLLOW INSTRUCTIONS FOR LIGHTING CHARCOAL MAY RESULT IN SERIOUS PERSONAL INJURY AND OR PROPERTY DAMAGE.

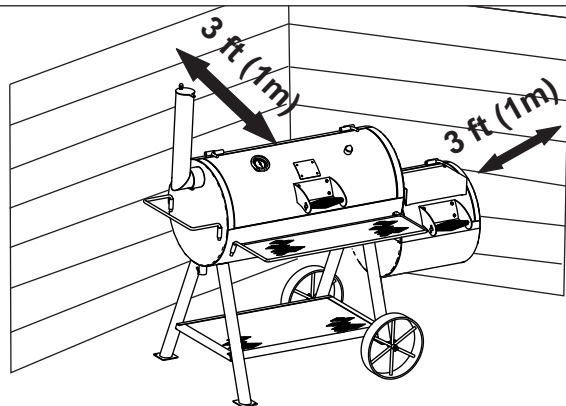
ALWAYS USE CAUTION WHEN HANDLING HOT COALS TO PREVENT INJURY.

ALWAYS LIGHT THE FIRE WITH THE GRILL LID OPEN.

WARNING

Use grill at least 3 ft. from any wall or surface. Maintain 10 ft. clearance to objects that can catch fire or sources of ignition such as pilot lights on water heaters, live electrical appliances, etc.

Use grill only in well-ventilated space. **NEVER** use in enclosed space such as carport, garage, porch, covered patio, or under an overhead structure of any kind.



PREPARING TO USE YOUR SMOKER

Before cooking with your smoker, the following steps should be closely followed to both cure the finish and season the interior steel. Failure to properly follow these steps may damage the finish and/or impart metallic flavors to your first foods.

1. Brush all interior surfaces including grills and grates with vegetable cooking oil.
2. Build a small fire on the fire grate or pan, being sure not to lay coals against the walls.
3. Close door. (Position damper and smokestack damper approximately at one quarter open.) This burn should be sustained for at least two hours, the longer the better. Then, begin increasing temperature by opening the damper and smokestack damper half-way and adding more charcoal. Your smoker is now ready for use.

Rust can appear on the inside of your smoker. Maintaining a light coat of vegetable oil on interior surfaces will aid in the protection of your unit. Exterior surfaces of smoker may need occasional touch up. We recommend the use of a commercially available black high temperature spray paint. **NEVER PAINT THE INTERIOR OF THE UNIT !**

SMOKER MAINTENANCE

Frequency of clean up is determined by how often the grill is used. Make sure coals are completely extinguished before cleaning inside of the unit. Thoroughly rinse with water and allow to air dry before using again. Wipe out the interior of the unit with a cloth or paper towels. When finished cooking, and the unit has adequately cooled, clean out all remaining ashes. Ashes collect moisture, which can lead to premature rusting and decay. Periodically coating the interior surfaces with vegetable oil will aid in the protection of your unit. Also, occasional touch up of the exterior paint will be required. Black, high-temperature spray paint is recommended. **NEVER PAINT THE INTERIOR OF THE UNIT.**

Cooking Surface: If a bristle brush is used to clean any of the grill cooking surfaces, ensure no loose bristles remain on cooking surfaces prior to grilling. It is not recommended to clean cooking surfaces while grill is hot.

COOKING TIPS

Building Your Fire

1. Stack charcoal briquettes or wood into a pyramid-shaped pile on top of the charcoal grate or ash pan. We recommend using 2 pounds (approximately 30 briquettes) to start your fire, adding more as needed.
2. If using lighter fluid, saturate the charcoal briquettes with lighter fluid and let it soak in for approximately 5 minutes. If using a chimney starter, electric starter, or other type of fire starter, light your fire according to the manufacturer's instructions.
3. Always light the fire with the cooking chamber and firebox lids open. Leave lid open until briquettes are fully lit. Failure to do this could trap fumes from charcoal lighter fluid in grill and may result in a flash fire when lid is opened.
4. Never add charcoal lighter fluid to hot or warm coals as flashbacks may occur causing injury.
5. You are ready to begin cooking when the pile of briquettes ashes over and produces a red glow (approximately 12 – 15 minutes).
6. Depending on your cooking method, either leave the briquettes in a pile or spread evenly across the charcoal grate using a long-handled poker.
7. Avoid laying coals on smoker walls.

The product represented in this product guide is produced in China.

SMOKING AND SLOW COOKING

Remove the cooking grill from the firebox and build your fire on top of the fire grate in the firebox. Either charcoal or wood may be used, but wood is the recommended fuel for its rate of burn and the flavor it imparts to the food being cooked. Most seasoned hardwoods are good for smoking such as hickory, mesquite, pecan, oak, and many other fruit woods. Bark should be avoided or burned off first as it contains a high acid content and imparts an acrid flavor.

After allowing the fire to burn down, close the doors and control the temperature and smoke with the dampers located on the firebox and atop the smokestack. Smoke is contained within the chambers, which will reduce burn while imparting more smoke flavor. Do not operate the Smoker with temperatures exceeding 450 degrees in the smoker chamber. Place the food in the smoker chamber and monitor the temperature. Cooking and smoking are taking place using indirect heat. There is no need to worry about a grease fire flare-up ruining the food. A general rule of thumb for cooking is about 1 hour per pound for smoking large cuts of meat. Refer to a cook book for specific cuts of meat. Limit the number of times you open the smoker chamber door as this will allow heat to escape and extend the cooking time.

SMOKING WITH WOOD CHIPS/WOOD CHUNKS

For a more robust smoke flavor while using charcoal briquettes or lump charcoal, try adding wood chips or several wood chunks to the fire. Wood chunks are available in a variety of natural flavors, and can be used alone or in addition to charcoal. As a general rule, any hardwood that bears a fruit or nut is suitable for cooking. However, different woods have very different tastes. Experiment with different woods to determine your personal favorite, and always use well-seasoned wood. Green or fresh-cut wood can turn food black, and tastes bitter.

Our Recommendations:

Chicken - Alder, Apple, Hickory, Mesquite

Beef - Hickory, Mesquite, Oak

Pork - Fruitwoods, Hickory, Oak

Lamb - Fruitwoods, Mesquite

Veal - Fruitwoods, Grapevines

Seafood - Alder, Mesquite

Vegetables – Mesquite

GRILLING

Successful charcoal grilling depends on a good fire. The general rule for knowing when your coals are ready for grilling is to make sure that 80 percent or more of the coals are ashy gray. Using caution, arrange the hot coals on your charcoal grate based on your desired method of cooking. Here are a few steps you can take to adjust the temperature of your fire:

- If it is too hot, spread the coals out a bit more, which makes the fire less intense.
- Avoid laying the coals on the walls of the smoker.
- Partially close the vents in the grill, which reduces the amount of oxygen that feeds the fire.
- In the event of a severe flare-up, spray the flames with water from a squirt bottle. Be careful, spraying with water tends to blow ashes around and make a mess.
- Add briquettes 2 or 3 at a time to increase the burn time. Allow 10 minutes for coals to ash over before adding more.

Food Safety

Food safety is a very important part of enjoying the outdoor cooking experience. To keep food safe from harmful bacteria, follow these four basic steps:

Clean: Wash hands, utensils, and surfaces with hot soapy water before and after handling raw meat.

Separate: Separate raw meats from ready-to-eat foods to avoid cross contamination. Use a clean platter and utensils when removing cooked foods.

Cook: Cook meat and poultry thoroughly to kill bacteria. Use a thermometer to ensure proper internal food temperatures.

Chill: Refrigerate prepared foods and leftovers promptly.

Cooking on your new grill is a hands-on experience, and it is recommended to remain outside with your grill while cooking. Grilling can be affected by many external conditions. In cold weather, you will need more heat to reach an ideal cooking temperature, and grilling may take longer. The meat's internal temperature and thickness can also affect cooking times. Cold and thicker meats will take longer to cook.

Internal Meat Temperatures

Meat cooked on a grill often browns very fast on the outside. Therefore, use a meat thermometer to ensure it has reached safe internal temperatures.

USDA Recommended Safe Minimum Internal Temperatures	
Beef, Veal, Lamb, Steak, Roasts, & Whole Pork (with a 3 minute rest time)	145° F
Fish	145° F
Beef, Veal, Lamb, and Pork - Ground	160° F
Egg Dishes	160° F
Turkey, Chicken & Duck Whole, Pieces & Ground	165° F

Please refer to the USDA for complete, up-to-date information. Our internal temperature chart is based on USDA standards for meat doneness. Check it out at www.isitdoneyet.gov

LIMITED WARRANTY

This warranty only applies to units purchased from an authorized retailer. Manufacturer warrants to the **original consumer-purchaser** only that this product shall be free from defects in workmanship and materials after correct assembly and under normal and reasonable home use for the periods indicated below beginning on the date of purchase*. The manufacturer reserves the right to require that defective parts be returned, postage and or freight pre-paid by the consumer for review and examination.

<u>SCOPE OF COVERAGE</u>	<u>PERIOD OF COVERAGE</u>	<u>TYPE OF FAILURE COVERAGE</u>
All Parts	2 year from date of purchase*	PERFORATION, MANUFACTURING, AND MATERIAL DEFECTS ONLY

*Note: A dated sales receipt WILL be required for warranty service.

The original consumer-purchaser will be responsible for all shipping charges for parts replaced under the terms of this limited warranty.

This limited warranty is applicable in the United States and Canada only, is only available to the original owner of the product and is not transferable. **Manufacturer requires proof of your date of purchase. Therefore, you should retain your sales slip or invoice.** Registering your product is not a substitute for proof of purchase and the manufacturer is not responsible for or required to retain proof of purchase records.

This limited warranty applies to the functionality of the product ONLY and does not cover cosmetic issues such as scratches, dents, corrosions or discoloring by heat, abrasive and chemical cleaners or any tools used in the assembly or installation of the appliance, surface rust, or the discoloration of stainless steel surfaces. Paint is not warranted and will require touch up. **RUST is not considered a manufacturing or materials defect.**

This limited warranty will not reimburse you for the cost of any inconvenience, food, personal injury or property damage.

ITEMS MANUFACTURER WILL NOT PAY FOR:

1. Shipping cost, standard or expedited, for warranty and replacement parts
2. Service calls to your home.
3. Repairs when your product is used for other than normal, single-family household or residential use.
4. Damage, failures, or operating difficulties resulting from accident, alteration, careless handling, misuse, abuse, fire, flood, acts of God, improper installation or maintenance, installation not in accordance with electrical or plumbing codes, or use of products not approved by the manufacturer.
5. Any food loss due to product failures or operating difficulties.
6. Replacement parts or repair labor costs for units operated outside the United States or Canada.
7. Pickup and delivery of your product.
8. Repairs to parts or systems resulting from unauthorized modifications made to the product.
9. The removal and/or reinstallation of your product.

DISCLAIMER OF IMPLIED WARRANTIES and LIMITATION OF REMEDIES

Repair or replacement of defective parts is your exclusive remedy under the terms of this limited warranty. In the event of parts availability issues, the manufacturer reserves the right to substitute like or similar parts that are equally functional.

Manufacturer will not be responsible for any consequential or incidental damages arising from the breach of either this limited warranty or any applicable implied warranty, or for failure or damage resulting from acts of God, improper care and maintenance, grease fire, accident, alteration, replacement of parts by anyone other than Manufacturer, misuse, transportation, commercial use, abuse, hostile environments (inclement weather, acts of nature, animal tampering), improper installation or installation not in accordance with local codes or printed manufacturer instructions.

THIS LIMITED WARRANTY IS THE SOLE EXPRESS WARRANTY GIVEN BY THE MANUFACTURER. NO PRODUCT PERFORMANCE SPECIFICATION OR DESCRIPTION WHEREVER APPEARING IS WARRANTED BY MANUFACTURER EXCEPT TO THE EXTENT SET FORTH IN THIS LIMITED WARRANTY. ANY IMPLIED WARRANTY PROTECTION ARISING UNDER THE LAWS OF ANY STATE, INCLUDING IMPLIED WARRANTY OF MERCHANTABILITY OR FITNESS FOR A PARTICULAR PURPOSE OR USE, IS HEREBY LIMITED IN DURATION TO THE DURATION OF THIS LIMITED WARRANTY.

Neither dealers nor the retail establishment selling this product has any authority to make any additional warranties or to promise remedies in addition to or inconsistent with those stated above. Manufacturer's **maximum liability**, in any event, shall not exceed the purchase price of the product paid by the original consumer.

NOTE: Some states do not allow an exclusion or limitation of incidental or consequential damages, so some of the above limitations or exclusions may not apply to you. This limited warranty gives you specific legal rights as set forth herein. You may also have other rights which vary from state to state. In the state of California only, if refinishing or replacement of the product is not commercially practicable, the retailer selling this product or the Manufacturer will refund the purchase price paid for the product, less the amount directly attributable to use by the original consumer-purchaser prior to discovery of the nonconformity. In addition, in the state of California only, you may take the product to the retail establishment selling this product in order to obtain performance under this limited warranty.

If you wish to obtain performance of any obligation under this limited warranty, you should write to:

**Consumer Relations
P. O. Box 1240
Columbus, GA 31902-1240**

Consumer returns will not be accepted unless a valid Return Authorization is first acquired. Authorized returns are clearly marked on the outside of the package with an RA number and the package is shipped freight/postage pre-paid. Consumer returns that do not meet these standards will be refused.

ÍNDICE

Registro de información del producto.....	1
Símbolos de seguridad.....	6-7
Preparación para la utilización Fumador.....	7
Fumador Mantenimiento	7
Consejos para cocinar.....	7-8
Garantía limitada	9
Diagrama de piezas.....	10
Lista de piezas.....	11
Montaje.....	12-18
Tarjeta de inscripción.....	19

Este manual de instrucciones contiene información importante, necesaria para armar el aparato adecuadamente y usarlo de manera segura.

Cuando use el aparato, siga todas las advertencias y las instrucciones.

A LA PERSONA QUE INSTALE O ARME ESTA PARRILLA:

Deje este manual al cliente.

AL CONSUMIDOR:

Conserve este manual para que lo pueda consultar en el futuro.

Símbolos de seguridad

Los símbolos y las casillas ilustradas más adelante explican lo que significa cada encabezado. Lea y cumpla todo lo indicado en los mensajes que se encuentran en el manual.



ADVERTENCIA

ADVERTENCIA: Indica una situación potencialmente peligrosa que, de no evitarse, podría causar la muerte o lesiones graves.



ADVERTENCIA

ADVERTENCIA: Indica una situación potencialmente peligrosa o una práctica insegura que, de no evitarse, podría causar lesiones leves o menores.



ADVERTENCIA

PELIGRO DE MONÓXIDO DE CARBONO

La combustión de carbón en interiores puede ser fatal. Despide monóxido de carbono, que es inodoro. **NUNCA** quemar carbón dentro de las casas, de los vehículos ni de las carpas.

ESTA PARRILLA SOLO SE PUEDE USAR EN EXTERIORES.



ADVERTENCIA



El no cumplir con todas las instrucciones del fabricante puede ocasionar lesiones graves y/o daños materiales.



ADVERTENCIA



Antes de empezar a armar la parrilla y cocinar, lea y siga todas las indicaciones de seguridad, las instrucciones de armado y las instrucciones de uso y mantenimiento.



ADVERTENCIA



Ciertas partes pueden tener bordes afilados. Si es necesario, use guantes protectores.



ADVERTENCIA



¡ESTA UNIDAD ES PESADA! NO intente armarla sin la ayuda de otra persona.



ADVERTENCIA



PROPOSITION 65 DEL ESTADO DE CALIFORNIA

1. En el estado de California se sabe que los subproductos de la combustión en este aparato, contienen sustancias químicas que causan cáncer, defectos congénitos u otras lesiones al aparato reproductor.
2. Este producto contiene sustancias químicas como el plomo y sus compuestos que, en el estado de California, se sabe que causan cáncer, defectos congénitos u otras lesiones al aparato reproductor.

Lávese las manos después de manipular este producto.



ADVERTENCIA



EL NO LEER Y SEGUIR LAS INSTRUCCIONES PARA ENCENDER EL CARBÓN, PUEDE OCASIONAR LESIONES GRAVES Y DAÑOS MATERIALES.

PARA EVITAR LESIONES, MANIPULE SIEMPRE CON PRECAUCIÓN LOS CARBONES CALIENTES.

ENCIENDA SIEMPRE EL FUEGO CON LA TAPA DE LA AHUMADOR ABIERTA.

ADVERTENCIA

La mayoría de las superficies de esta unidad están calientes cuando está en uso. Sea sumamente cuidadoso. No deje que las demás personas se acerquen a la unidad. Use siempre ropa protectora para evitar lesionarse.
No deje a los niños ni a las mascotas acercarse a la unidad. No la mueva mientras esté en uso.
Nunca use gasolina, queroseno ni alcohol para encender el carbón. En algunos estados, la ley prohíbe el uso de líquido para encender carbón. En estos casos, puede usar cubos a base de parafina en lugar del líquido para encender carbón. Nunca use líquido para encender carbón con un encendedor eléctrico.

ADVERTENCIA

Todas las superficies pueden estar calientes durante el uso. Protéjase debidamente para no sufrir quemaduras.
No use esta unidad en superficies ni en estructuras combustibles, ni cerca de ellas, tales como terrazas de madera, hojas o césped secos, revestimientos de vinilo o de madera, etc.
LEA EN EL MANUAL DEL PROPIETARIO INFORMACIÓN IMPORTANTE SOBRE MEDIDAS DE SEGURIDAD.

ADVERTENCIA

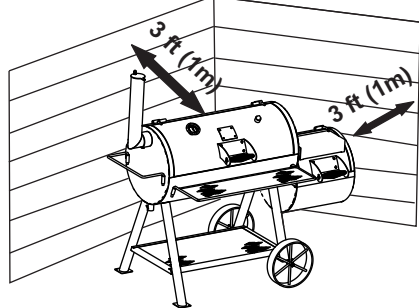
Después de un fuego de carbón parece extinguirse, brasas consumidas pueden retener el calor durante un máximo de 24 horas, y si se expone al aire libre, pueden estallar en llamas inesperadamente. Cualquier brasas fuera de la caja de fuego de la parrilla representan un peligro de incendio y pueden encender superficies combustibles tales como terrazas de madera.

ADVERTENCIA

Sólo para uso particular. No la use para fines comerciales.

ADVERTENCIA

Use la parrilla al menos a 3 pies de distancia de cualquier pared o superficie. Deje un espacio de 10 pies entre la parrilla y los objetos que puedan incendiarse o que sean fuentes de ignición, tal como las llamas piloto de calentadores de agua, aparatos eléctricos conectados, etc.
Use la parrilla sólo en lugares bien ventilados. **NUNCA** la use en lugares cerrados tales como cocheras, garajes, porches, patios techados o debajo de superficies de ningún tipo.



PREPARATIVOS PARA USAR SU AHUMADOR

Antes de cocinar con su ahumador, debe seguir al pie de la letra los siguientes pasos para curar el acabado y el acero del interior. Si no cumple con estos requisitos al pie de la letra, se puede dañar el interior de la ahumador y los primeros alimentos que cocine podrán tener un gusto metálico.

1. Unte todas las superficies metálicas del interior, incluyendo las ahumadores y las rejillas con aceite vegetal para cocinar.
2. Encienda un fuego pequeño, no muy intenso, en la rejilla para carbón o la sartén, asegurándose de no colocar los carbones contra las paredes.
3. Cierre la tapa. Ajuste los reguladores de tiro a casi un cuarto de su apertura total. Este nivel de fuego se deberá mantener durante al menos dos horas. Comience a aumentar la temperatura abriendo los reguladores a la mitad de su apertura y añadiendo más carbón. Su ahumador smoker está lista para usarla

Puede ser que se oxide la parte interior de su ahumador. El mantenimiento de las superficies interiores con una capa ligera de aceite vegetal ayudará.

a proteger su ahumador. Las superficies exteriores de la ahumador pueden requerir un retoque de vez en cuando. Le sugerimos que use una pintura en aerosol resistente a temperaturas elevadas, que puede adquirir en cualquier tienda. ¡NUNCA PINTE LA PARTE INTERIOR DE LA UNIDAD!

MANTENIMIENTO DE LA AHUMADOR

La frecuencia de la limpieza dependerá de la frecuencia con que se use el ahumador. Asegúrese de que las brasas estén completamente apagadas antes de limpiar el interior del ahumador. Para limpiar las superficies interiores puede usar una solución concentrada de detergente y agua, aplicándola con un cepillo de cerdas resistentes. Enjuáguelas bien con agua y deje que se sequen completamente al aire antes de volver a usar el aparato.

Si utiliza un cepillo de cerdas para limpiar las superficies para cocinar, antes de usar la ahumador verifique que no queden cerdas sueltas sobre éstas. Se recomienda no limpiar las superficies para cocinar cuando la ahumador esté aún caliente.

CONSEJOS PARA COCINAR

Cómo encender el fuego

1. Apile en forma de pirámide las briquetas de carbón o los trocitos de madera sobre la rejilla o la bandeja colectora de cenizas. Le sugerimos que use 2 libras (aproximadamente 30 briquetas) para encender el fuego, y luego añada más según lo necesite.
2. Si usa líquido para encender carbón, usa encendedor para chimeneas, encendedor eléctrico o de otro tipo, encienda el fuego según las instrucciones del fabricante del encendedor.
3. **Siempre encender el fuego con la cámara de cocción y las tapas de la caja de fuego abierto.**
Deje la tapa abierta hasta que las briquetas estén totalmente encendidas. El no hacerlo puede atrapar en la ahumador emanaciones tóxicas del líquido de encender el carbón y ocasionar fuego repentino cuando la tapa esté abierta.
4. Nunca rocíe líquido para encender carbón sobre el carbón caliente o tibio, pues puede producir fogonazos y ocasionar lesiones.
5. Puede comenzar a asar cuando la pila de briquetas se cubra de cenizas y esté al rojo vivo (de 12 a 15 minutos aproximadamente).
6. Según el método de cocción que se use, deje las briquetas apiladas o espáralas de manera uniforme por toda la rejilla para el carbón, usando un atizador de mango largo.
7. Evitar que pone carbones en las paredes fumador.

El producto representado en esta guía del producto se produce en China.

CÓMO SABER CUÁNDO ESTÁ LISTO EL FUEGO

La buena calidad del asado al carbón depende de la calidad del fuego en la ahumador. Como regla general, para saber si el carbón ya está listo para asar debe cerciorarse de que el 80 por ciento o más de los carbones tengan ceniza. Si tiene menos de esa cantidad, el carbón todavía no está listo y si todos están al rojo vivo, el fuego quizás sea demasiado vivo. Los siguientes son algunos pasos que puede seguir para regular la intensidad del fuego:

- Si es demasiado intenso, esparza un poco más los carbones.
- Suba o baje la rejilla regulable para el carbón.
- Abra un poco el regulador de tiro, para reducir la cantidad de oxígeno que alimenta el fuego.
- Use el método de asado a fuego indirecto, con los carbones colocados a ambos lados del recipiente para la grasa y los alimentos colocados más o menos directamente sobre los carbones.
- Si se producen llamaradas fuertes, rocíe las llamas con agua de una botella con boquilla. Tenga cuidado, al rociar el agua se pueden volar las cenizas y ensuciar todo alrededor.
- Agregue más briquetas 2 o 3 a la vez para prolongar el tiempo de cocción. Espere 10 minutos, hasta que los carbones se cubran de ceniza, antes de volver a poner más.

AHUMAR Y COCINAR LENTO

Si se utiliza el ahumador como un ahumado o olla de cocción lenta, quite la rejilla de la caja de fuego y construya el fuego en la parte superior de la rejilla de fuego. Cualquiera, carbón o madera, se pueden utilizar, pero la madera es el combustible recomendado por su tasa de quemadura y el sabor que imparte a los alimentos que se cocinan. Maderas duras son buenas para ahumador, tales como nogal, mezquite, roble, y muchas maderas de otras frutas. La corteza debe ser evitado o quemado primero, ya que contiene un alto contenido de ácido y le da un sabor acre.

Después de dejar que el fuego baje, cierre las puertas y controle la temperatura y el humo con los amortiguadores que se encuentran en la caja de fuego y encima de la chimenea. El humo está contenida dentro de las cámaras, lo que reducirá quema al tiempo que imparte más sabor a humo. No opere el ahumador con temperaturas superiores a 450 F grados en la cámara de ahumar. El ahumar y cocinar utilizan calor indirecto. Cocina y el tabaquismo se llevan a cabo utilizando indirecta calor. No hay necesidad de preocuparse por un incendio de grasa que arruine la comida. No coloque los alimentos dentro de 6" de la apertura desde la cámara de combustión en la cámara de ahumar. Una regla general para es de ahumar 1 hora por cada libra de cortes grandes de carne. Consulte a un libro de cocina para los cortes específicos de carne. Limite el número de veces que se abra el ahumar puerta de la cámara ya que esto permitirá que el calor escape y extiende el tiempo de cocinar.

Acómo asar con astillas/trocitos de madera

Para lograr un sabor ahumado más fuerte con briquetas o carbón de madera en bloques, pruebe poner varias astillas o varios trocitos de madera en el fuego. Los trocitos de madera se venden en diversos sabores naturales, y se pueden usar solos o como un agregado al carbón. Como regla general, toda madera dura de árboles frutales o de frutos secos es adecuada para cocinar. Sin embargo, las distintas maderas tienen distintos sabores. Pruebe con maderas diferentes para decidir cuál prefiere, y use siempre madera bien seca. La madera verde o recientemente cortada puede ennegrecer la comida, y tiene sabor amargo.

Nuestras sugerencias:

- Pollo** - Aliso, manzano, nogal americano, mezquite
- Carne de res** - Nogal americano, mezquite, roble
- Cerdo** - Madera de árboles frutales, nogal americano, roble
- Carnero** - Madera de árboles frutales, mezquite
- Ternera** - Madera de árboles frutales
- Pescado y mariscos** - Aliso, mezquite
- Verduras** - Mezquite

Seguridad con los alimentos

La seguridad con los alimentos es una parte muy importante del disfrute de su parrillada al aire libre. Siga estos cuatro pasos básicos para proteger a los alimentos contra las bacterias nocivas:

Limpieza: Lávese las manos, lave los utensilios y las superficies con agua jabonosa caliente, antes y después de manipular carne cruda.

Separación: Mantenga las carnes separadas de los alimentos listos para comer, para evitar la contaminación cruzada. Use bandejas y utensilios limpios para servir los alimentos preparados.

Cocción: Cocine bien las carnes y las piezas de ave, para matar las bacterias. Use un termómetro para verificar que los alimentos alcancen la temperatura interna adecuada.

Refrigeración: Refrigere con prontitud los alimentos preparados y las sobras.

La experiencia en cocinar a la parrilla se adquiere con la práctica y es aconsejable que se quede junto a la parrilla mientras cocine. El asar a la parrilla es una actividad que depende de muchos factores externos. En tiempo frío, necesitará una mayor cantidad de calor para alcanzar la temperatura de cocción ideal, y puede tomar más tiempo el cocinar la carne. La temperatura interna y el grosor de la carne pueden también afectar el tiempo de cocción. Toma más tiempo cocinar los trozos de carne fríos o más gruesos.

Temperatura interna de la carne

El exterior de las carnes preparadas a la parrilla a menudo se dora rápidamente. Por tanto, use un termómetro para carnes para verificar que la carne haya alcanzado una temperatura de cocción interna adecuada.

USDA Temperaturas Internas Mínimas Seguras Recomendadas	
Carne de vaca, Ternera, Cordero, Filetes, Asado, y Lomo de Cerdo (con 3 minutos de reposo)	145° F
Pescado	145° F
Carne, Ternera, Cordero, y Cerdo - Molido	160° F
Platos de Huevo	160° F
Turquía, Pollo y Pato Entero, Pedazos y Tierra	165° F

Consulte con el Ministerio de Agricultura de EE UU para obtener información completa y actualizada. Nuestra tabla de temperaturas se basa en las normas del Ministerio de de Agricultura de EE UU para establecer el grado de cocción de la carne. Verifiquelas en www.isitdoneyet.gov

GARANTÍA LIMITADA

Esta garantía es válida únicamente para las unidades adquiridas de los distribuidores autorizados. El fabricante le garantiza únicamente **al consumidor-comprador original**, que este producto no presentará defectos de mano de obra ni de materiales por el período indicado a continuación, contado desde la fecha de compra*, si se arma correctamente y se usa en el hogar, en condiciones normales y razonables. El fabricante se reserva el derecho de exigir la devolución de las piezas defectuosas, enviadas con el porte o el flete pagado por el consumidor, para ser revisadas y examinadas.

ALCANCE DE LA COBERTURA	PLAZO DE COBERTURA	TIPO DE FALLA AMPARADA
Todas las piezas	2 Año de fecha de compra *	SOLO DEFECTOS DE PERFORACIÓN, DE FABRICACIÓN Y DE MATERIALES

*Nota: A fecha de recibo de compra serán necesarios para el servicio de garantía.

Son de responsabilidad del consumidor-comprador original todos los gastos de envío de las piezas cambiadas en virtud de las condiciones de esta garantía limitada.

Esta garantía limitada es válida únicamente en Estados Unidos y en Canadá, se ofrece únicamente al propietario original del producto y es intransferible. **El fabricante exige la presentación de evidencia de la fecha de la compra. Por tanto, debe conservar el recibo o la factura de la compra.** La inscripción del producto no reemplaza al comprobante de compra, y el fabricante no se hace responsable ni está obligado a llevar un registro de dichos comprobantes.

Esta garantía limitada atañe ÚNICAMENTE al funcionamiento del producto y no ampara rayones, abolladuras, corrosión ni decoloración ocasionada por el calor, los productos de limpieza abrasivos y químicos, ni por las herramientas usadas en el armado o en la instalación del aparato, oxidación de las superficies ni decoloración de las superficies de acero inoxidable. La pintura no esta garantizada y requiera retoques. **RUST no se considera una de fabricación o materiales defecto.**

Esta garantía limitada no ampara el costo en el que se incurra por inconvenientes, alimentos, lesiones ni daños a la propiedad.

EL FABRICANTE NO PAGARÁ LOS SIGUIENTES RUBROS:

1. El costo de envío normal o acelerado de piezas y repuestos amparados por la garantía
2. Las llamadas de servicio técnico a domicilio.
3. Reparaciones de productos que hayan sido usados para fines distintos a los normales, en casas de más de una familia o no domésticos.
4. Daños, fallas, o dificultades para hacerlo funcionar, ocasionadas por accidentes, modificaciones, manipulación descuidada, uso indebido, abuso, incendio, inundación, casos fortuitos, instalación o mantenimiento inadecuados o que no se realicen de conformidad con las disposiciones de los códigos de instalaciones eléctricas o sanitarias, o uso de productos no autorizados por el fabricante.
5. Pérdida de alimentos debidos a fallas del producto o a la dificultad para hacerlo funcionar.
6. El costo de las piezas de repuesto ni de la mano de obra para la reparación de unidades instaladas fuera de Estados Unidos o de Canadá.
7. La recogida y el envío de su producto.
8. Las reparaciones de piezas o de sistemas que hayan sufrido daños por alteraciones no autorizadas hechas en el producto.
9. La remoción y/o la reinstalación de su producto.

ESTIPULACIONES DE EXONERACIÓN DE GARANTÍAS IMPLÍCITAS; LIMITACIÓN DE LOS RECURSOS

El único recurso del que usted dispone en virtud de esta garantía limitada es la reparación o el cambio de las piezas defectuosas. En cas de problèmes de disponibilité des pièces, le constructeur se réserve le droit de remplacer des pièces similaires qui sont également fonctionnels. El fabricante no será responsable por ningún tipo de daño accesorio o indirecto ocasionado por el incumplimiento de lo estipulado ya sea en esta garantía limitada o en alguna garantía implícita pertinente, ni por las fallas o los daños ocasionados por actos fortuitos, cuidado y mantenimiento inadecuados, fuego provocado por la grasa, accidentes, modificaciones, cambio de piezas por cualquier persona que no sea el fabricante, uso indebido, transporte, uso con fines comerciales, abuso, ambientes hostiles (condiciones inclementes del tiempo, fenómenos naturales, acción de los animales), instalación inadecuada o instalación que no se realice de conformidad con las disposiciones de los códigos locales o las instrucciones impresas del fabricante.

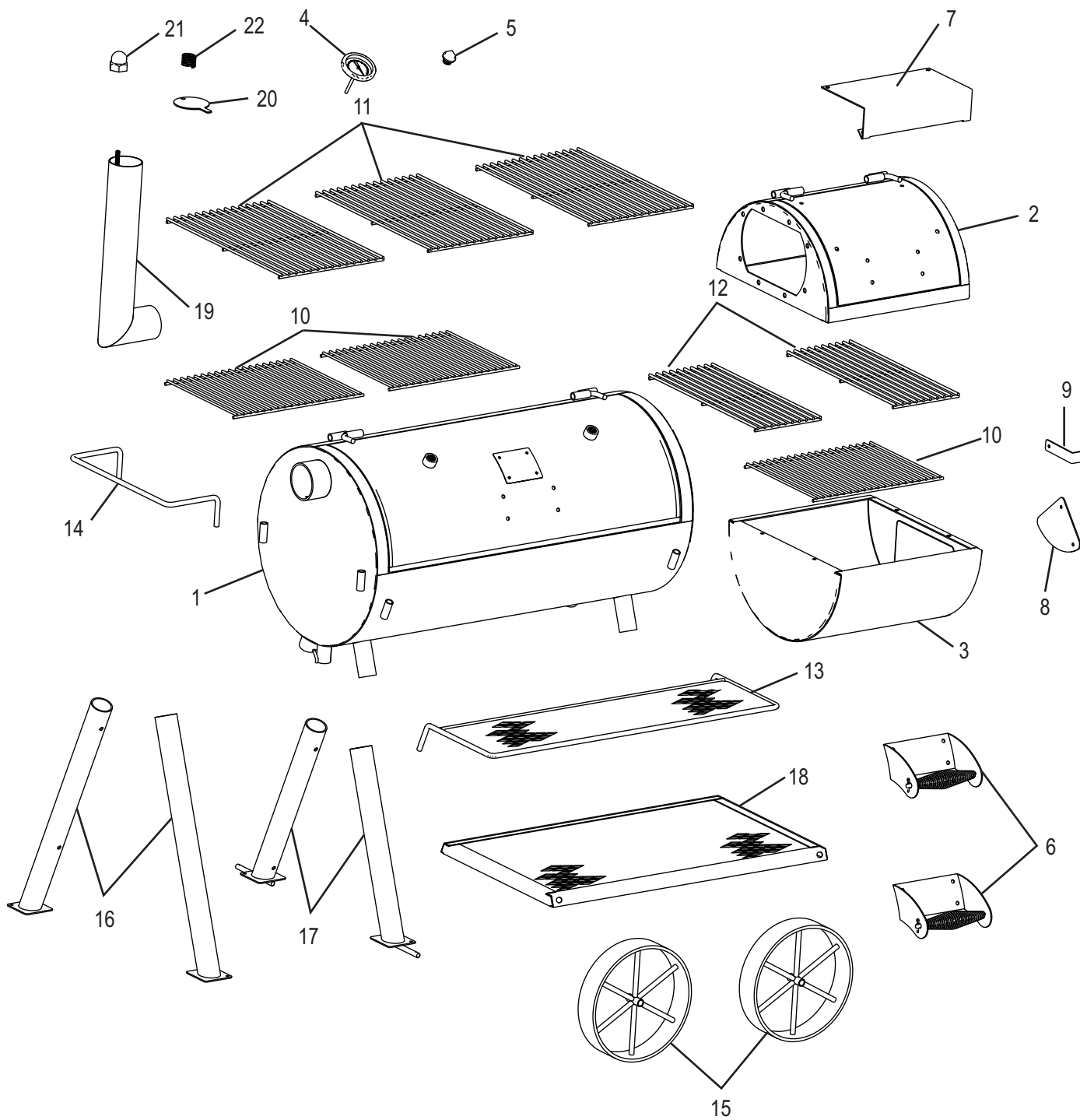
ESTA GARANTÍA LIMITADA ES LA ÚNICA GARANTÍA EXPLÍCITA OFRECIDA POR EL FABRICANTE. EL FABRICANTE NO GARANTIZA NINGUNA ESPECIFICACIÓN O DESCRIPCIÓN DE RENDIMIENTO DEL PRODUCTO, INDEPENDIENTEMENTE DEL LUGAR DONDE APAREZCAN, SALVO EN LA MEDIDA SEÑALADA EN ESTA GARANTÍA LIMITADA. POR EL PRESENTE, EL PLAZO DE VIGENCIA DE LA PROTECCIÓN QUE OTORGAN LAS GARANTÍAS IMPLÍCITAS, EN VIRTUD DE LAS LEYES DE CUALQUIER ESTADO, INCLUYENDO LA GARANTÍA IMPLÍCITA ACERCA DE LA IDONEIDAD DEL PRODUCTO PARA SU COMERCIALIZACIÓN O PARA ALGÚN PROPÓSITO DETERMINADO, QUEDA LIMITADO AL PLAZO DE VIGENCIA DE ESTA GARANTÍA LIMITADA.

Ni los distribuidores, ni el negocio minorista que vende este producto, están autorizados para ofrecer ninguna garantía ni para prometer recursos adicionales o incongruentes con los arriba indicados. En todo caso, el límite máximo de responsabilidad del fabricante no será mayor que el precio de compra pagado por el consumidor original.

NOTA: Algunos estados no permiten la exclusión ni la limitación de daños accesorios o indirectos, de manera que es posible que las limitaciones o exclusiones arriba señaladas no correspondan en su caso. Esta garantía le otorga derechos específicos, señalados aquí. Es posible que usted tenga otros derechos que pueden variar de un estado a otro. Sólo en el estado de California, en el caso en que no sea comercialmente viable reparar o cambiar el acabado del producto, el minorista que vende este producto o el fabricante le reembolsarán el precio de compra pagado por el mismo, menos la cantidad directamente atribuible al uso dado por el consumidor-comprador original, antes de haber descubierto la falla. Además, y únicamente en el estado de California, usted podrá llevar el producto al negocio minorista que venda este producto para solicitar servicios en virtud de esta garantía limitada.

Si desea obtener algún servicio en virtud de esta garantía limitada, debe dirigir su correspondencia a:
Consumer Relations
P. O. Box 1240
Columbus, GA 31902-1240

No se aceptarán las devoluciones por parte del consumidor a menos que haya obtenido primero una autorización válida de devolución. Debe rotular de manera legible la parte exterior del paquete de devolución autorizada con su número de autorización de devolución y remitir dicho paquete con el flete o el porte pagado. Se rechazará toda devolución del consumidor que no cumpla con las reglas anteriores.



PARTS LIST

Key	Qty	Description
1	1	SMOKER CHAMBER W/ LID
2	1	FIREBOX LID
3	1	FIREBOX CHAMBER
4	1	TEMPERATURE GAUGE
5	1	TEMPERATURE GAUGE HOLE PLUG
6	2	LID HANDLE
7	1	WARMING SURFACE PLATE, F/ FIREBOX
8	1	DAMPER ASSEMBLY
9	1	DOOR LATCH
10	3	FIRE GRATE
11	3	COOKING GRATE, SMOKER
12	2	COOKING GRATE, FIREBOX
13	1	FRONT SHELF
14	1	PULL HANDLE
15	2	WHEEL
16	2	LONG LEG
17	2	SHORT LEG
18	1	BOTTOM SHELF ASSEMBLY
19	1	SMOKE STACK
20	1	DAMPER, F/ SMOKE STACK
21	1	CAP, F/ SMOKE STACK
22	1	SPRING, F/ DAMPER

NOT Pictured

...	1	HARDWARE PACK
...	1	ASSEMBLY MANUAL, ENGLISH, SPANISH

LISTA DE PIEZAS

Clave	Cant.	Descripción
1	1	CÁMARA DE HUMO W/ TAPA
2	1	FUEGO DE LA CAJA TAPA
3	1	FUEGO DE LA CAJA CÁMARA
4	1	MEDIDOR DE TEMPERATURA
5	1	MEDIDOR DE TEMPERATURA DEL AGUJERO DEL TAPÓN
6	2	TAPA MANGO
7	1	PLACA DE CALENTAMIENTO DE LA SUPERFICIE, F/FUEGO DE LA CAJA
8	1	AMORTIGUADOR DE LA ASAMBLEA
9	1	CIERRE LA PUERTA
10	3	REJILLA DE FUEGO
11	3	PARRILLA DE COCCIÓN, HUMO
12	2	PARRILLA DE COCCIÓN, FUEGO
13	1	PLATAFORMA FRONTAL
14	1	TIRE DE LA MANILLA
15	2	RUEDA
16	2	ETAPA LARGA
17	2	PIERNAS CORTAS
18	1	ASAMBLEA ESTANTE INFERIOR
19	1	CHIMENEA
20	1	AMORTIGUADOR, F/ CHIMENEA
21	1	TAPA, F/ CHIMENEA
22	1	RESORTE, F/ AMORTIGUADOR

non illustré

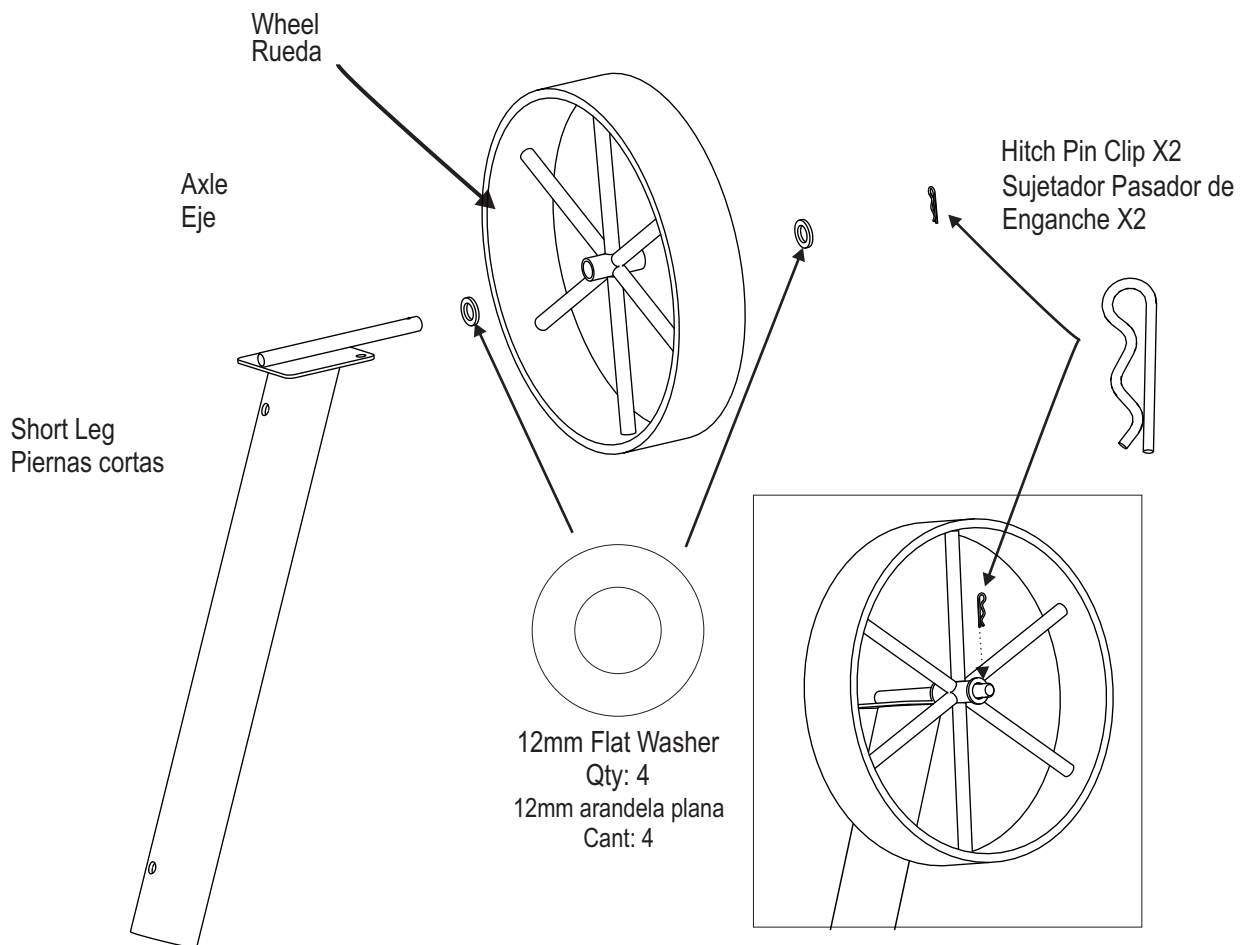
...	1	PAQUETE DE HARDWARE
...	1	MANUAL DE MONTAJE, INGLÉS, ESPAÑOL

1 FIRST, GET A HELPER! This unit is heavy and requires a second person for lifting and moving. **NEXT**, pick a suitable location to work. Open the carton and slit the corners so that the carton lays flat. This will give you a protective surface during assembly. Remove the carton packing material and the parts from inside the firebox and smoke chamber.

Primero, consiga un ayudante! Esta unidad es pesada y requiere de una segunda persona para levantar y mover. A continuación, elija una ubicación adecuada para el trabajo. Abra la caja y corte las esquinas para que la caja esté plano. Esto le dará una superficie de protección durante el montaje. Retire el material de embalaje de cartón y las piezas del interior de la cámara de caja de fuego y humo.

2 On each short leg, slide one 12mm flat washer onto axle, followed by a wheel, then another 12mm flat washer. Slide a hitch pin clip into the hole at the end of the axle.

En cada pata corta, deslice una arandela plana de 12 mm sobre el eje, seguido de una rueda, y luego otra arandela plana de 12 mm. Deslice un el sujetador pasador de enganche en el agujero en el extremo del eje.

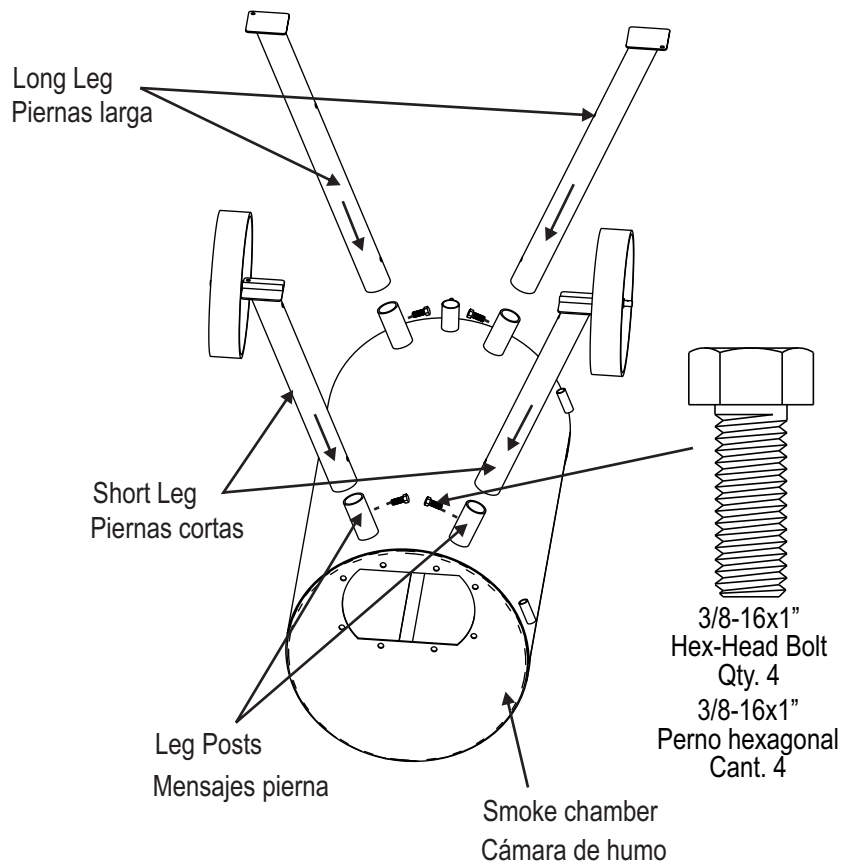


3 With one person on smoke chamber end, roll the unit onto cardboard that was placed on the ground next to the unit. Unit should now be resting on its smoke chamber handle brackets with the leg posts pointing upward.

- Slide short legs onto posts at right side, with wheels facing outward.
- Slide long legs onto posts at opposite end.
- Secure each leg to a leg post by screwing one 3/8-16x1" hex-head bolt through the leg until it reaches the leg post. **Do not fully tighten the bolts at this time!**

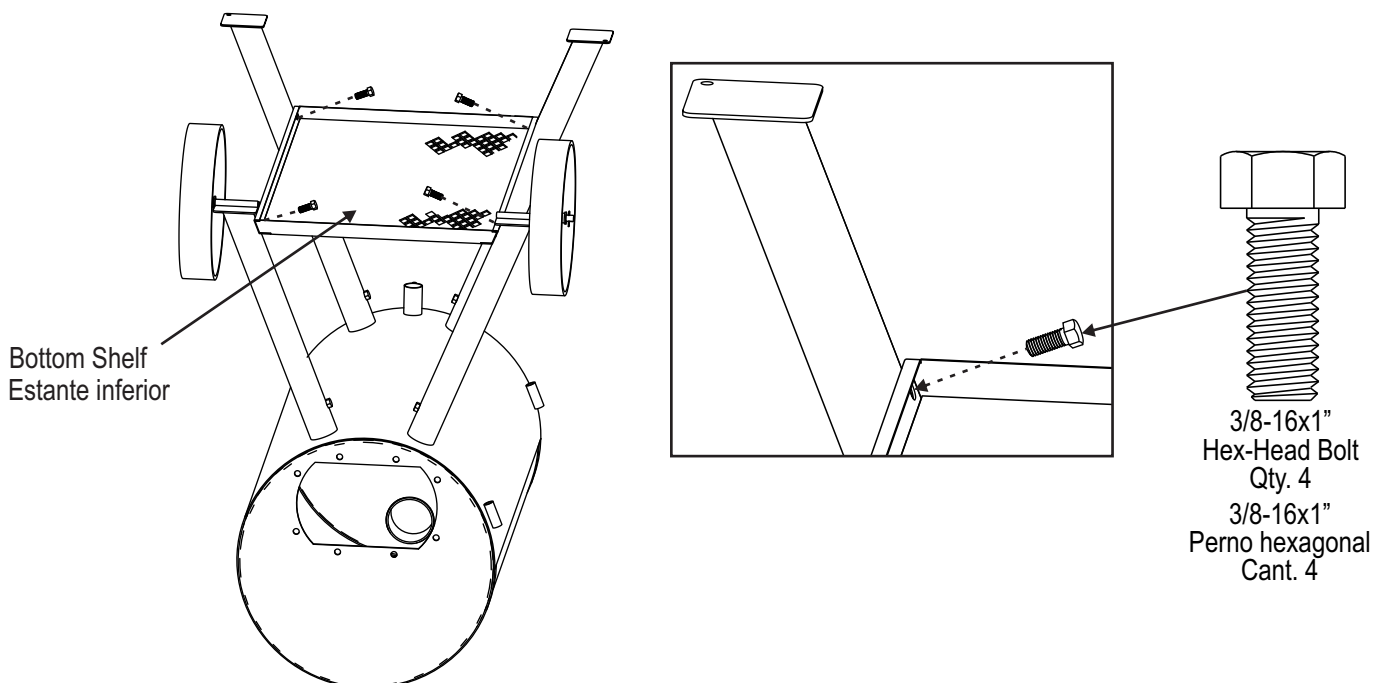
Con una persona a fin de humo cámara, gire la unidad en una cartulina que fue colocada en el suelo junto a la unidad. La unidad ahora debe estar descansando en sus soportes de manejar la cámara de humo con los postes de la pierna hacia arriba.

- Deslice las piernas cortas en los postes en el lado derecho, con las ruedas hacia afuera.
- Deslice las piernas largas en los postes en el extremo opuesto.
- Asegure cada pata a un poste de pierna atornillando un perno de cabeza hexagonal de 3 / 8-16x1 "a través de la pierna hasta que llegue al poste de pierna. **No apriete los tornillos en este momento!**



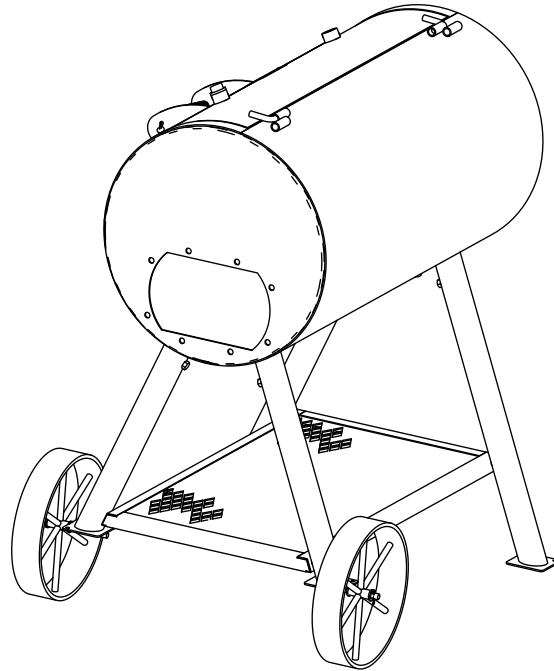
4 Have one person hold the bottom shelf in position shown while another attaches shelf to legs using four 3/8-16x1" hex-head bolts. **Fully tighten these four bolts.**

Que una persona mantenga el estante inferior en la posición indicada, mientras que otra plataforma se une a las piernas con cuatro 3/8-16 x 1 "tornillos de cabeza hexagonal. **Apriete los cuatro tornillos.**

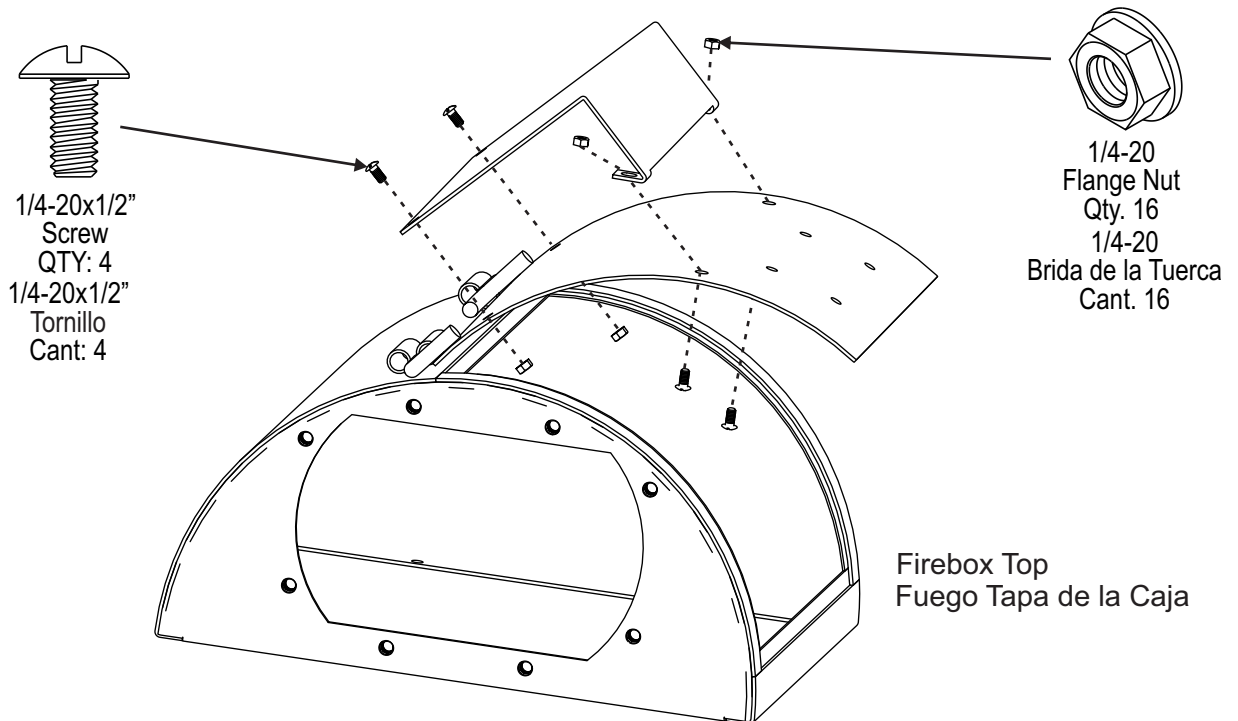


5 Make sure that leg bolts are tight enough so that legs won't slip off of posts. With the assistance of a helper, roll the unit over the handle brackets and stand it up onto its legs. Once standing, fully tighten the four leg bolts against leg walls. Insert the tank exclusion right end into holes on the bottom shelf. Then align the left end of the tank exclusion with holes on the long legs and slide into place. **FULLY TIGHTEN THE FOUR LEG BOLTS AGAINST LEG POST WALLS**

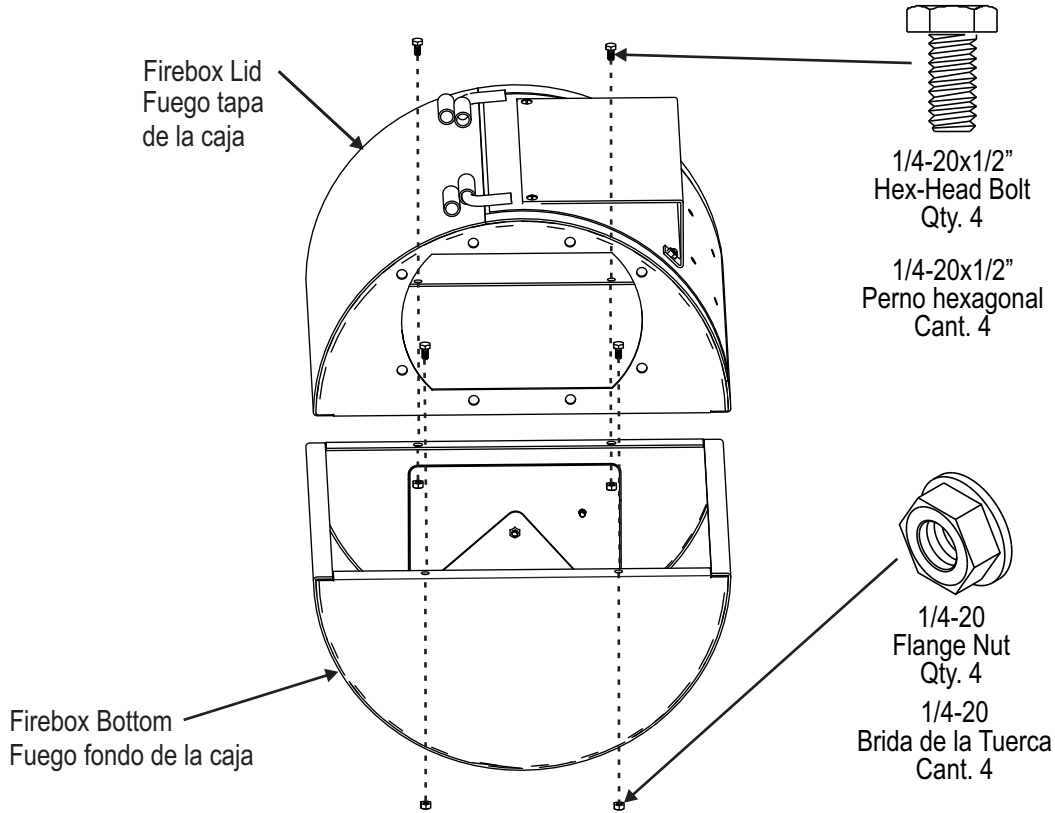
Asegúrese de que los pernos de la pierna estén lo suficientemente apretados para que las piernas no se resbale de los postes. Con la ayuda de un ayudante, rodar la unidad sobre los soportes del mango y colocarlo sobre sus patas. Una vez de pie, apriete completamente los cuatro pernos de la pierna contra las paredes de las piernas. Inserte el extremo derecho de exclusión del tanque en los orificios del estante inferior. A continuación, alinee el extremo izquierdo de la exclusión del tanque con agujeros en las patas largas y deslícelo en su lugar. **APRIETE COMPLETAMENTE LOS CUATRO PERNOS DE LA PIERNA CONTRA LAS PAREDES DEL POSTE DE LA PIERNA**



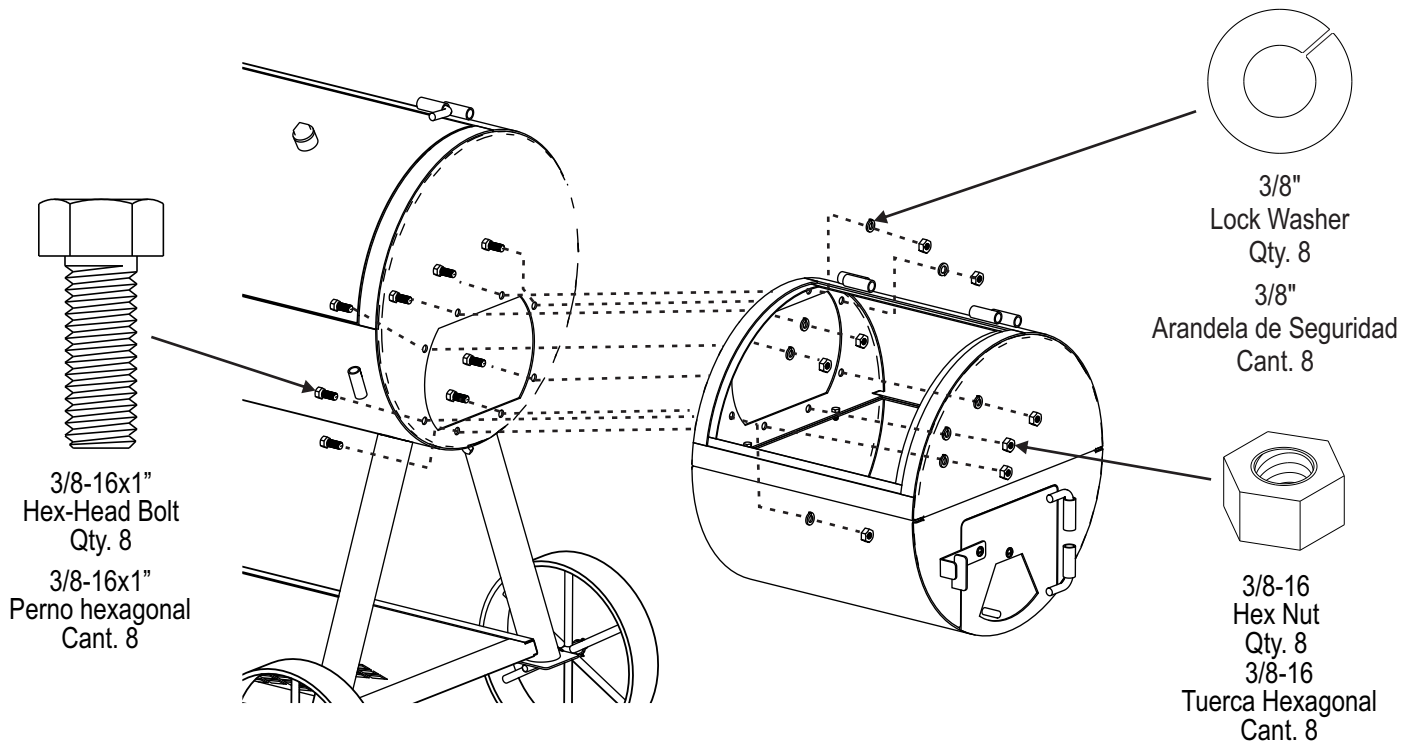
6 Use four 1/4-20x1/2" screws and four 1/4-20 flange nuts to attach the warming plate to the lid of firebox. Tighten securely.
 Utilice cuatro 1/4-20 x 1/2 "rosca 1/4-20 y cuatro tuercas de la brida para sujetar la placa de calentamiento en la tapa de la cámara de combustión. Ajuste con firmeza.



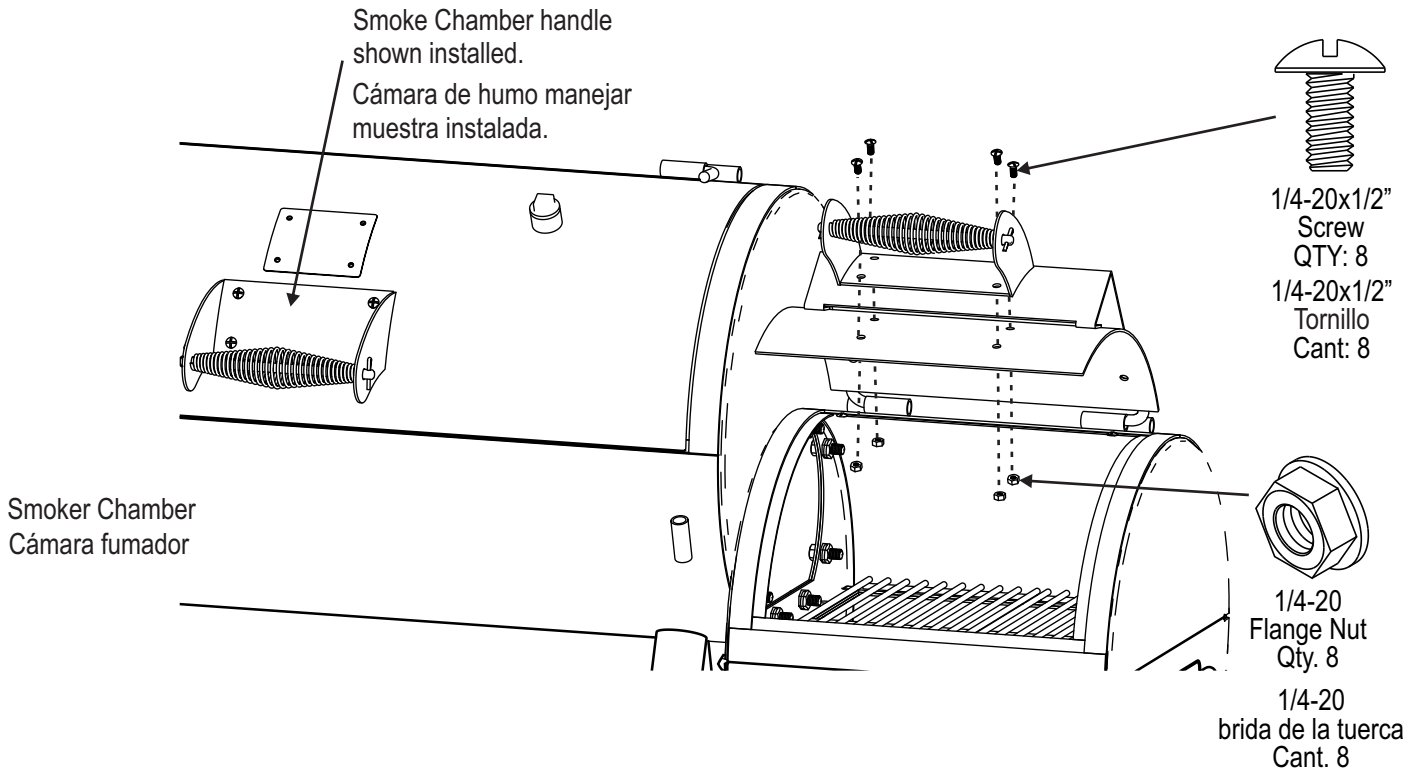
- 7** Connect firebox lid and firebox bottom using four 1/4-20x1/2" hex head bolts and four 1/4-20 flange nuts. Tighten securely.
 Conecte la tapa cámara de combustión y el fondo con cuatro fogones 1/4-20 x 1/2" perno hexagonal y cuatro 1/4-20 tuerca de la bridas. Apriete de forma segura.



- 8** **With the help of an assistant**, connect firebox and smoke chamber using eight 3/8-16x1" hex head bolts, 3/8 lock washer, and 3/8-16 hex nut, and tighten.
Con la ayuda de un asistente, conectar cámara de combustión y cámara de humo con ocho 3/8-16 x 1" tornillos de cabeza hexagonal de 3/8 arandela y tuerca hexagonal de 3/8-16 y apriete.



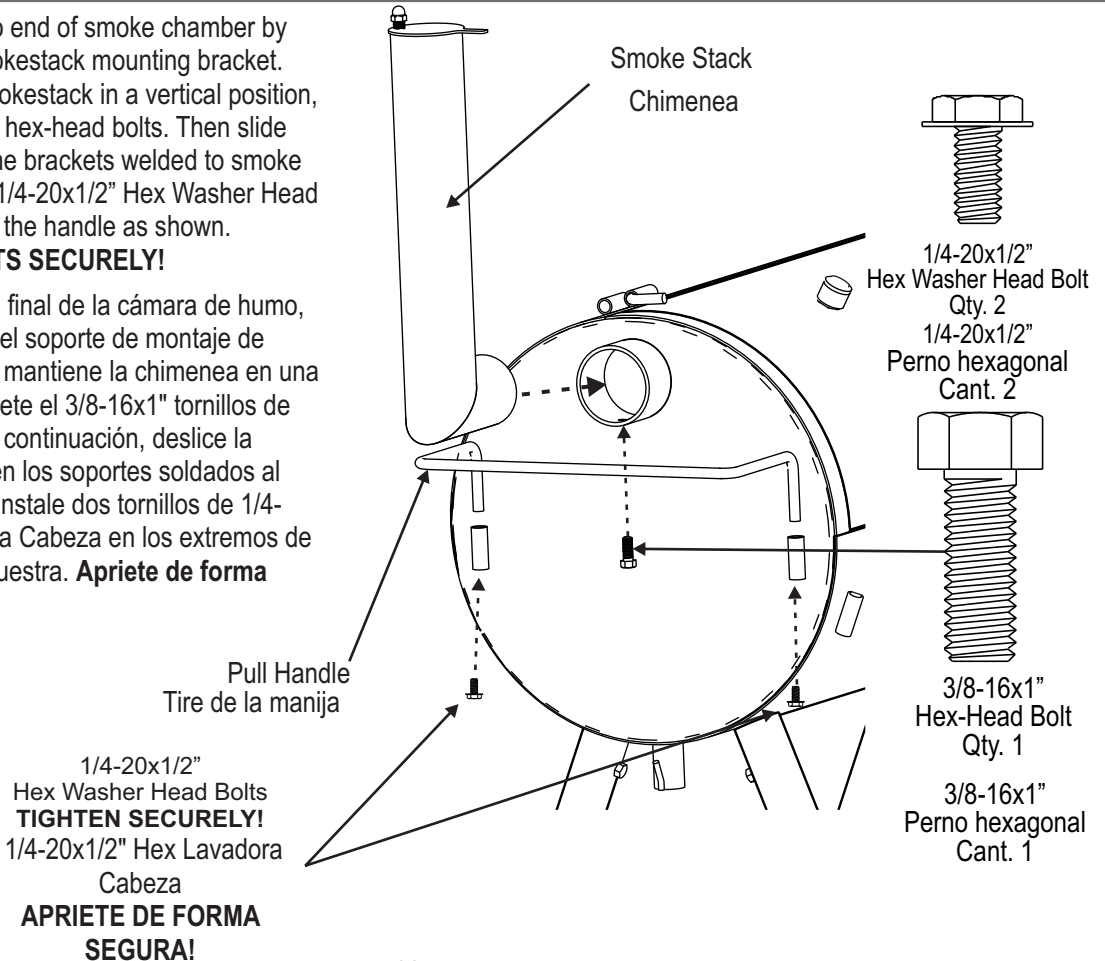
- 9** Attach handle to smoke chamber lid and firebox lid using eight 1/4-20x1/2" screws and 1/4-20 flange nuts. Tighten securely.
 Adjuntar manejar al humo tapa de la cámara y la tapa del fogón con ocho 1/4-20 x 1/2 "tornillos y tuercas de 1/4-20. Ajuste con firmeza.



- 10** Attach smokestack to end of smoke chamber by sliding stack into smokestack mounting bracket. While holding the smokestack in a vertical position, tighten the 3/8-16x1" hex-head bolts. Then slide the pull handle into the brackets welded to smoke chamber. Install two 1/4-20x1/2" Hex Washer Head bolts into the ends of the handle as shown.

TIGHTEN THE BOLTS SECURELY!

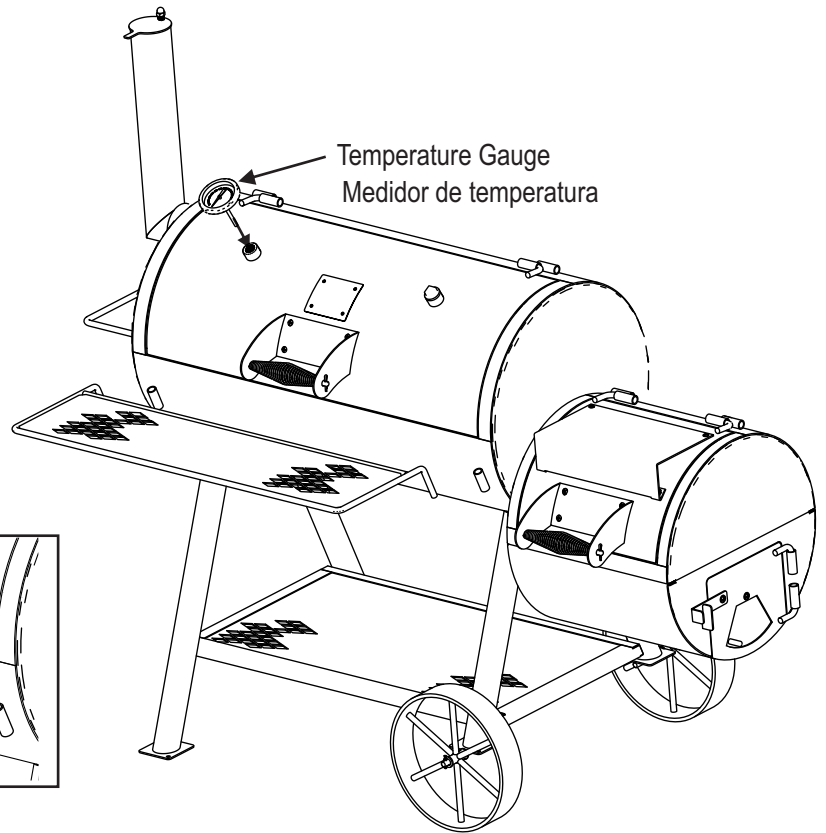
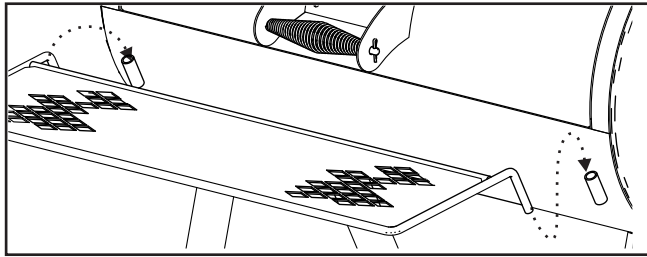
Adjuntar chimenea al final de la cámara de humo, deslizando la pila en el soporte de montaje de chimeneas. Mientras mantiene la chimenea en una posición vertical, apriete el 3/8-16x1" tornillos de cabeza hexagonal. A continuación, deslice la empuñadura lateral en los soportes soldados al humo de la cámara. Instale dos tornillos de 1/4-20x1/2" Hex Lavadora Cabeza en los extremos de la manija como se muestra. **Apriete de forma segura!**



11

Attach front shelf to smoke chamber by sliding ends of shelf frame into bushing on front of smoke chamber. Next, install the Temperature Gauge into the bushing located on the Smoker Chamber Lid. Align gauge and then secure with jamb nut.

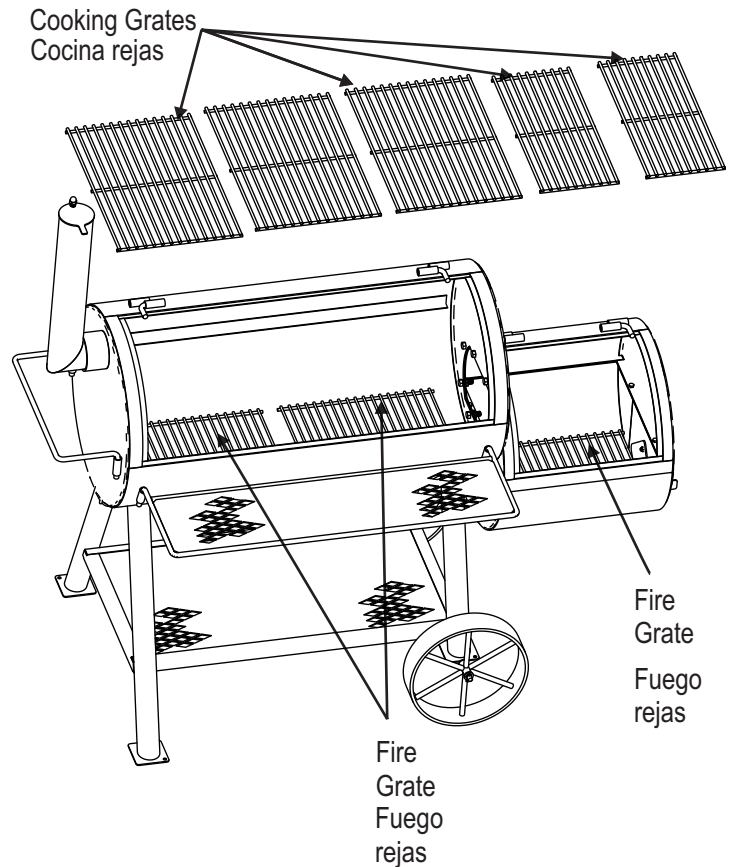
Adjuntar plataforma frente al humo de la cámara deslizando extremos del marco útil en el casquillo en la parte frontal de la cámara de humo. A continuación, pase el Medidor de temperatura en el buje situado en la tapa de la cámara fuma.



12

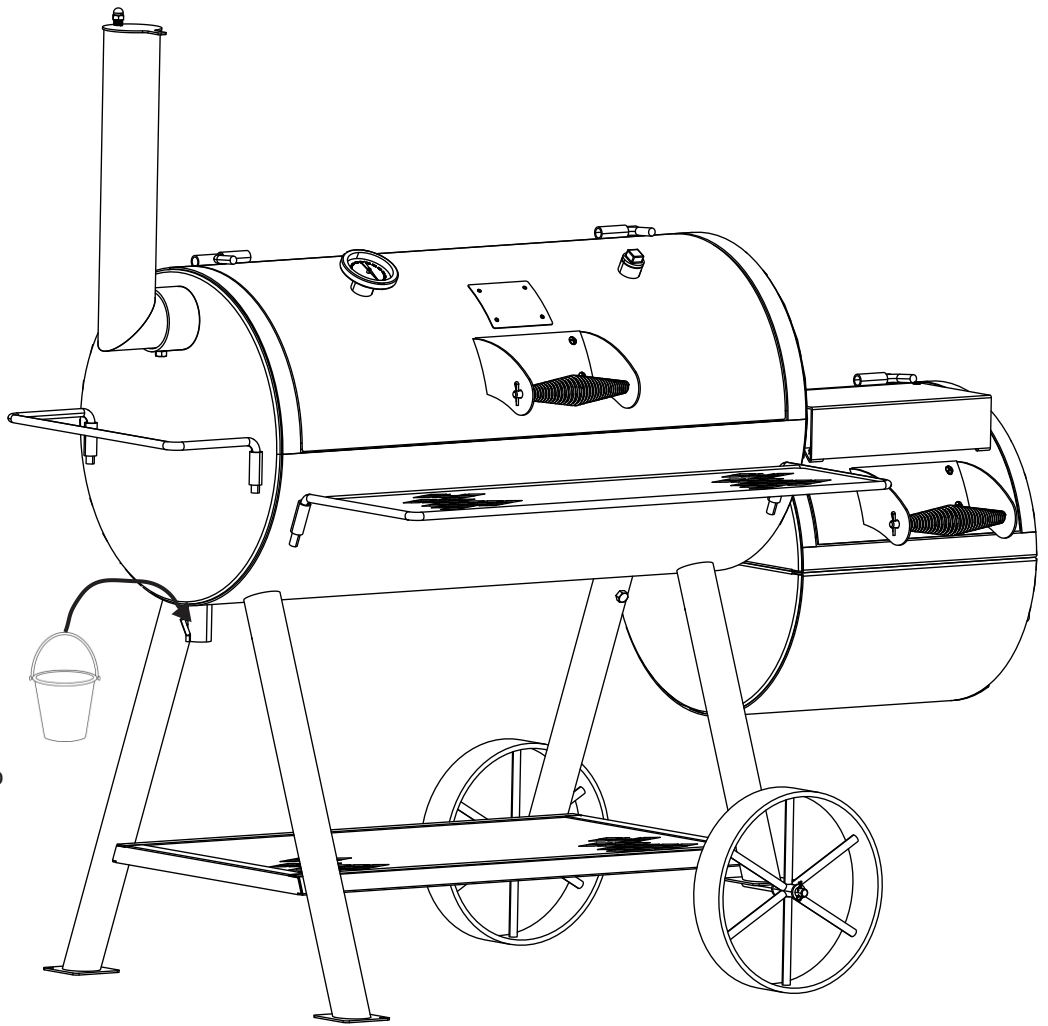
Place two of the fire grates in the bottom of the smoke chamber and one in the bottom of the firebox. Then place the three large cooking grates in the smoker chamber. The two small cooking grates fit into the firebox.

Coloque dos de las rejillas de fuego más pequeño en la parte inferior de la cámara de humo y una en la parte inferior de la cámara de combustión. A continuación, coloque las tres grandes rejillas de cocción en la cámara de fumador. Las dos pequeñas rejillas de cocción caber en la cámara de combustión.



13

Container for grease,
not supplied
Recipiente para la
grasa, no suministrado



Congratulations! You have completed the assembly of your smoker. Please follow the instructions on page 3 to season your smoker.

¡Felicitaciones! Usted ha completado el montaje de su ahumador. Por favor, siga las instrucciones en la página 8 de la temporada de su ahumador.

Three convenient ways to register your product: Trois façons pratiques d'enregistrer votre produit: Tres formas convenientes de registrar su producto:

- 1** Online
En ligne
En línea

www.charbroil.com/register

2



FOR US ONLY

Text "Register" to "GRILLS" (474557)

Envíe un mensaje de texto con la palabra "Register" a "GRILLS" (474557)

- 3** By mail | Par la poste | Por correo

PLEASE FILL OUT THIS CARD AND ATTACH A COPY OF YOUR SALES RECEIPT. RETURN IT WITHIN 10 DAYS OF PURCHASE. FOR WARRANTY SERVICE PROOF OF PURCHASE WILL BE REQUIRED. THIS WARRANTY IS NON-TRANSFERABLE.

LLENE ESTA TARJETA Y DEVUELVALA DENTRO DE LOS 10 DIAS DE LA COMPRA. PARA EL SERVICIO DE GARANTIA ES NECESARIO QUE PRESENTE SU COMPROBANTE DE COMPRA. CONSERVE LA FACTURA. ESTA GARANTIA ES INTRANSFERIBLE.

VEUILLEZ COMPLETER CETTE CARTE ET LA RETOURNER DANS LES 10 JOURS SUIVANT L'ACHAT. POUR OBTENIR LE SERVICE SOUS GARANTIE, UNE PREUVE D'ACHAT DOIT ETRE PRESENTEE. VEUILLEZ CONSERVER VOTRE FACTURE. LA PRESENTE GARANTIE N'EST PAS TRANSFERABLE.

*Required | Necesario | Exigé

~ PLEASE PRINT ~ IMPRIMA POR FAVOR ~ S'IL VOUS PLAÎT IMPRIMER ~

* 1. First Name | Nombre | Prénom

Initial | Inicial | Initiale

Last Name | Apellido | Nom de Famillie

Address (number & street) | Dirección (número y calle) | Adresse (numéro et rue)

Apt Number | Nº de apart | Nº d'appt.

City | Ciudad | Ville

State | Estado | Province

Zip Code | Código Zip | Code Postal

* 2. E-mail Address | Dirección de correo electrónico | Adresse électronique

* 3. Phone Number | Número telefónico | Numéro de téléphone

* 4. Model Number | Número de modelo | Numéro de modèle

* 5. Attach copy of your sales receipt here.

Adjunte aquí la copia de su recibo de compra

Veillez attacher une copie de votre reçu ici.

6. Date of Purchase | Fecha de compra | Date de l'achat

\$

7. Store Name | Nombre de la tienda | Nom du magasin

8. Purchase Price | Precio de compra | Prix d'achat

9. Your Gender | Sexo | Sexe:

Male | Masculino | Masculin

Female | Femenino | Féminin

10. Which product are you registering?

¿Qué producto está registrando?

Quel produit enregistrez-vous?

1. Gas Grill | Parrilla a gas | Gril au gaz
2. Electric Grill | Parrilla eléctrica | Gril électrique
3. Smoker | Ahumador | Fumoir
4. Charcoal Grill | Parrilla a carbón | Barbecue au charbon
5. Cooker/Fryer | Cocina/freidora | Cuisneur/Friteuse
6. Other | Otro | Autre

Mail to: / Enviar a: / Envoyer à :

Char-Broil Warranty Registration

P.O. Box 1240

Columbus, GA 31902-1240

We respect your privacy. | Respetamos su privacidad. | Nous respectons votre vie privée.

- If you prefer not to receive special offers and promotions from Char-Broil, please check here:
- Marque aquí si no desea recibir ofertas y promociones especiales de Char-Broil:
- Si vous préférez ne pas recevoir d'informations concernant des offres spéciales et des promotions de Charbroil, veuillez cocher ici:

Thank you for completing this questionnaire. | Gracias por completar este cuestionario. | Merci d'avoir bien voulu remplir ce questionnaire.



©2016 Char-Broil, LLC. Columbus, GA, 31902. Printed in China. Impreso en China.
©2016 Assembly instructions. ©2014 Instrucciones de ensamblado.